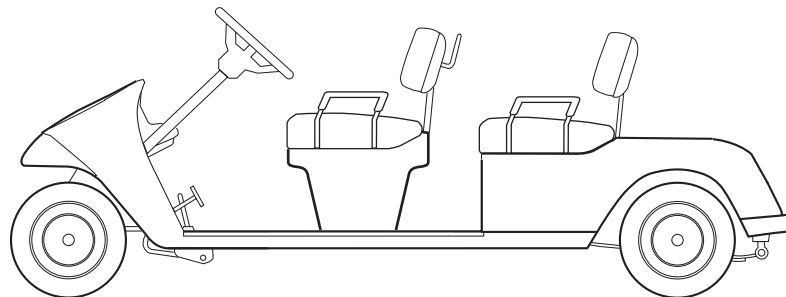
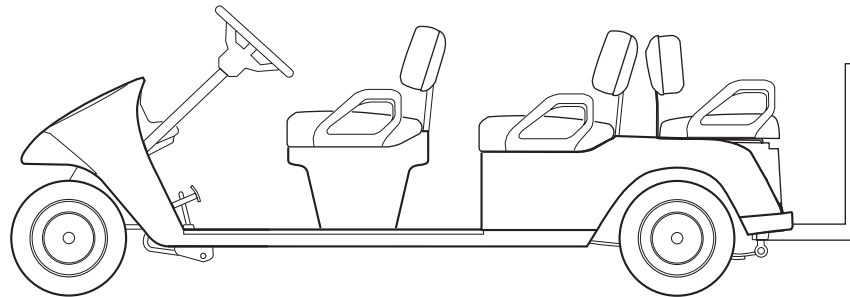
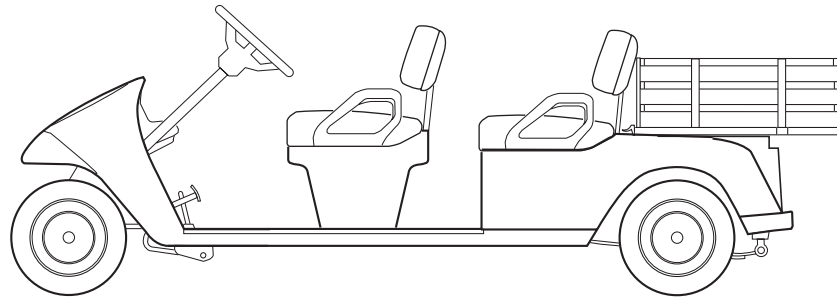




A Textron Company



SERVICE PARTS MANUAL



Ref Fcv 7

GASOLINE POWERED PERSONNEL CARRIERS AND 5 PASSENGER GOLF CAR

STARTING MODEL YEAR: 2002

REVISED: 12/2002

SERVICE PARTS MANUAL

GASOLINE POWERED PERSONNEL CARRIERS & 5 PASSENGER GOLF CAR

SHUTTLE 4

SHUTTLE 6

TG5

Textron Golf, Turf & Specialty Products reserves the right to make design changes without obligation to make these changes on units previously sold and the information contained in this manual is subject to change without notice.

Textron Golf, Turf & Specialty Products is not liable for errors in this manual or for incidental or consequential damages that result from the use of the material in this manual.

CUSTOMER SERVICE DEPARTMENT IN USA PHONE: 1-800-241-5855 FAX: 1-800-448-8124

OUTSIDE USA PHONE: 010-1-706-798-4311, FAX: 010-1-706-771-4609

TEXTRON GOLF, TURF & SPECIALTY PRODUCTS, P.O.BOX 388, AUGUSTA, GEORGIA USA 30903-0388

NOTES

To obtain a copy of the limited warranty applicable to the vehicle, call or write a local distributor, authorized Branch or the Warranty Department with vehicle serial number and manufacturer code.

The use of non Original Equipment Manufacturer (OEM) approved parts may void the warranty.

Tampering with or adjusting the governor to permit vehicle to operate at above factory specifications will void the vehicle warranty.

When servicing engines, all adjustments and replacement components must be per original vehicle specifications in order to maintain the United States of America Federal and State emission certification applicable at the time of manufacture.

BATTERY PROLONGED STORAGE

All batteries will self discharge over time. The rate of self discharge varies depending on the ambient temperature and the age and condition of the batteries.

A fully charged battery will not freeze in winter temperatures unless the temperature falls below -75° F (-60° C).

TABLE OF CONTENTS

SECTION	Page No.
HOW TO USE THE SERVICE PARTS MANUAL	v
ILLUSTRATED PARTS BREAKDOWN	vii
ACCELERATOR	A-1
AIR CLEANER	B-1
BODY	C-1
BRAKES - HYDRAULIC	D-1
BRAKES - MECHANICAL	D-11
CARBURETOR	E-1
CLUTCH	F-1
DIRECTION SELECTOR - SEAT CONSOLE	G-1
DIRECTION SELECTOR - SEAT PANEL	G-5
ELECTRICAL SYSTEM	H-1
ENGINE AND MUFFLER	J-1
ENGINE MOUNTING	K-1
FRONT SUSPENSION/STEERING	L-1
FUEL SYSTEM	M-1
REAR SUSPENSION - HYDRAULIC BRAKES	N-1
REAR SUSPENSION - MECHANICAL BRAKES	N-3
REAR AXLE - HYDRAULIC BRAKES	P-1
REAR AXLE - MECHANICAL BRAKES	P-3
SEATING	Q-1
STARTER / GENERATOR	R-1
WEATHER PROTECTION	S-1
WHEELS AND TIRES	T-1
INDEX OF MAJOR COMPONENTS	INDEX-1

HOW TO USE THE SERVICE PARTS MANUAL

This manual is divided into several sections:

GENERAL INFORMATION

- TABLE OF CONTENTS
- HOW TO USE THE SERVICE PARTS MANUAL

ILLUSTRATED PARTS BREAKDOWN

- Contains illustrations and parts lists for all systems of the vehicle

APPENDIX

- Contains a listing of specialty products and options/accessories

INDEX OF MAJOR COMPONENTS

- Contains a listing of parts (excluding hardware) grouped by part number and description and indicates on which page(s) they can be found

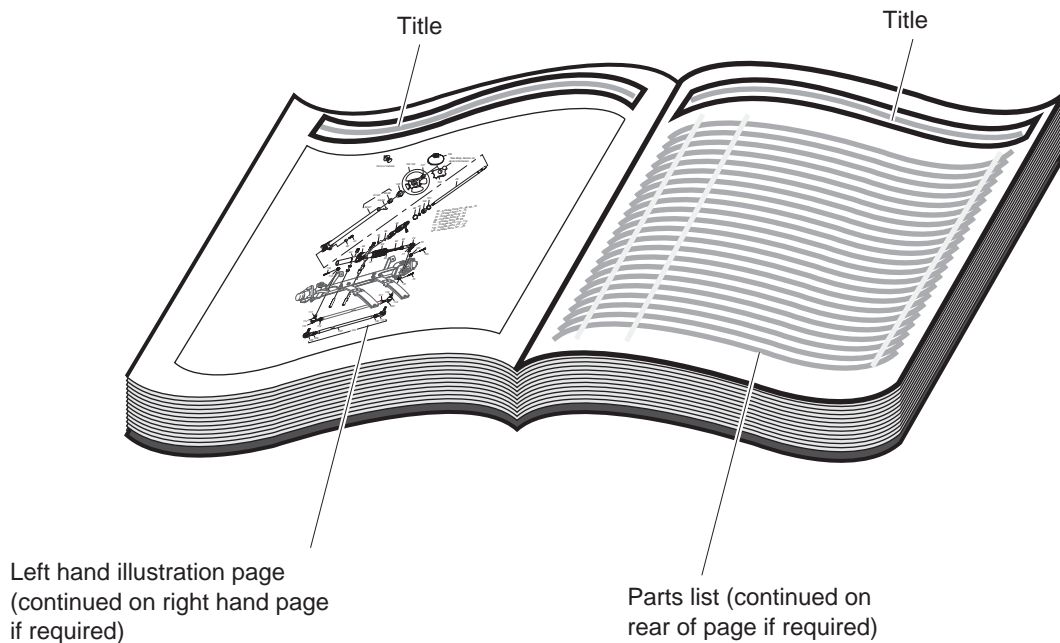
USE OF THE MANUAL

To use this manual, consult the TABLE OF CONTENTS (page iii) or the INDEX OF MAJOR COMPONENTS (located at rear of this manual) to locate the information or illustration required.

Introduction of some revisions varies due to supply of components; therefore, it is possible that various combinations of components may be found that are not directly reflected by each illustration. Consult the illustration that best suits your situation. Locate the serial number plate (see BODY located in the Illustrated Parts Breakdown section of this manual for its location) and note the complete number shown on the plate. It is important that the serial number of your vehicle and its model number be supplied to Service Parts when ordering any replacement components.

Locate the serial number plate (see BODY located in the Illustrated Parts Breakdown section of this manual for its location) and note the complete number shown on the plate.

HOW TO USE THE SERVICE PARTS MANUAL



1. WHEN THE PART NUMBER IS NOT KNOWN

- Determine the function and application of the part required. Turn to the INDEX OF MAJOR COMPONENTS and select the most appropriate component description.
- Turn to the page number indicated and locate the part description in the parts list. Read the full accompanying description for specific information regarding the part that was not shown in the index.
- From the parts list, obtain the item number assigned to it and confirm that the part selected is correct by verifying it with the pictorial representation on the illustrated page.

2. IF YOU KNOW THE PART NUMBER

- Use the INDEX OF MAJOR COMPONENTS to find the page(s) the part number appears on.
- Turn to the page number indicated and locate the part number in the parts list. Refer to the accompanying description for specific information regarding the part.
- From the parts list, obtain the item number assigned to it and confirm that the part selected is correct by verifying it with the pictorial representation on the illustrated page.

Should an asterisk (*) appear in the part number column on the parts list page, read upwards until a part number is found. The part number is the lowest assembly sold by Service Parts. The asterisk (*) indicates that the part depicted is not available for purchase.

NOTE: Descriptions are indented under the assembly that they are used on. That assembly is, in turn listed under the assembly that it is used on. This process is repeated until the highest final assembly is reached.

To facilitate the maintenance and repair of the vehicle, a Technician's Repair and Service Manual is available from the Service Parts Department.

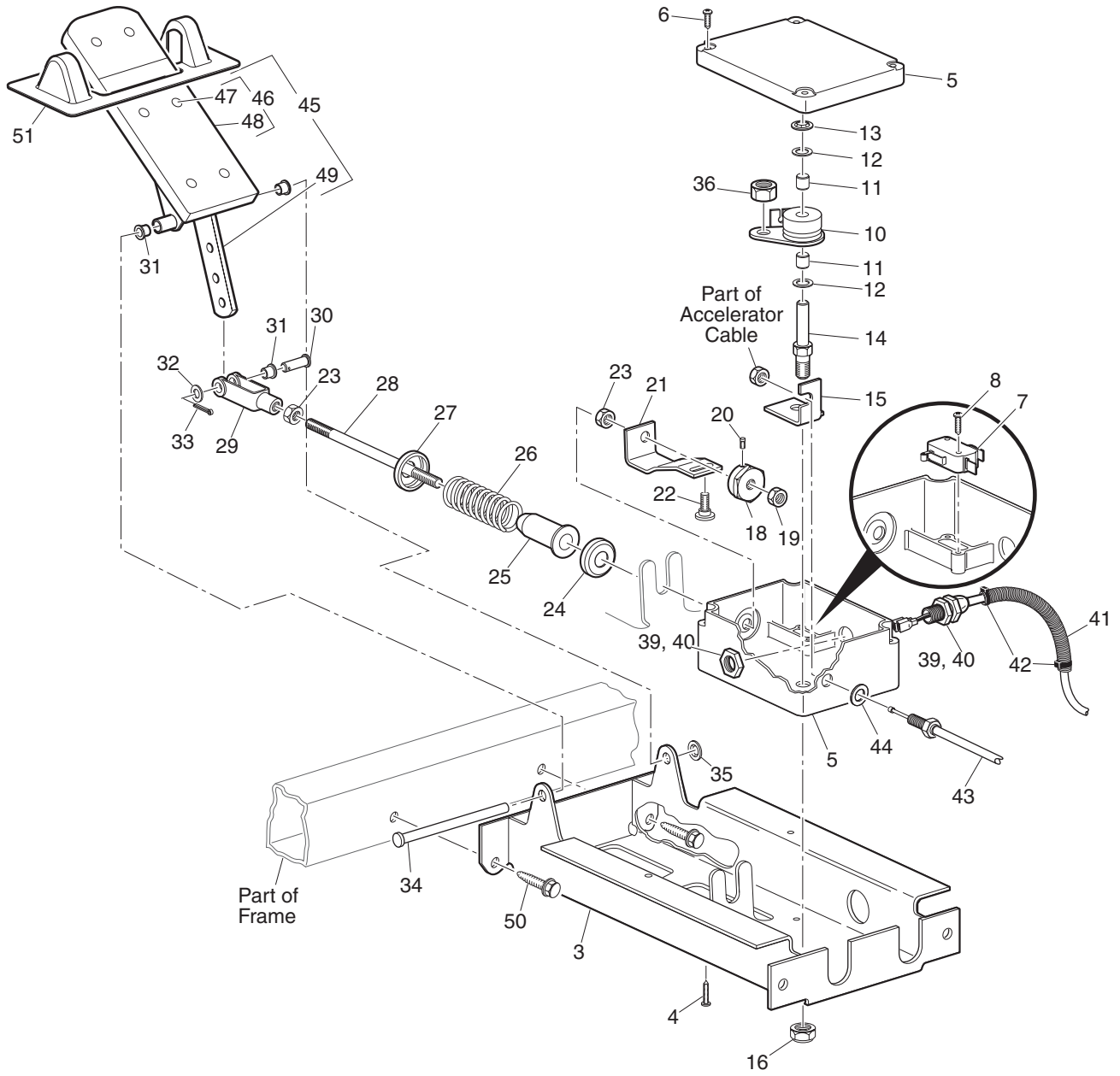
ILLUSTRATED PARTS BREAKDOWN

HOW TO USE THE SERVICE PARTS MANUAL



ACCELERATOR

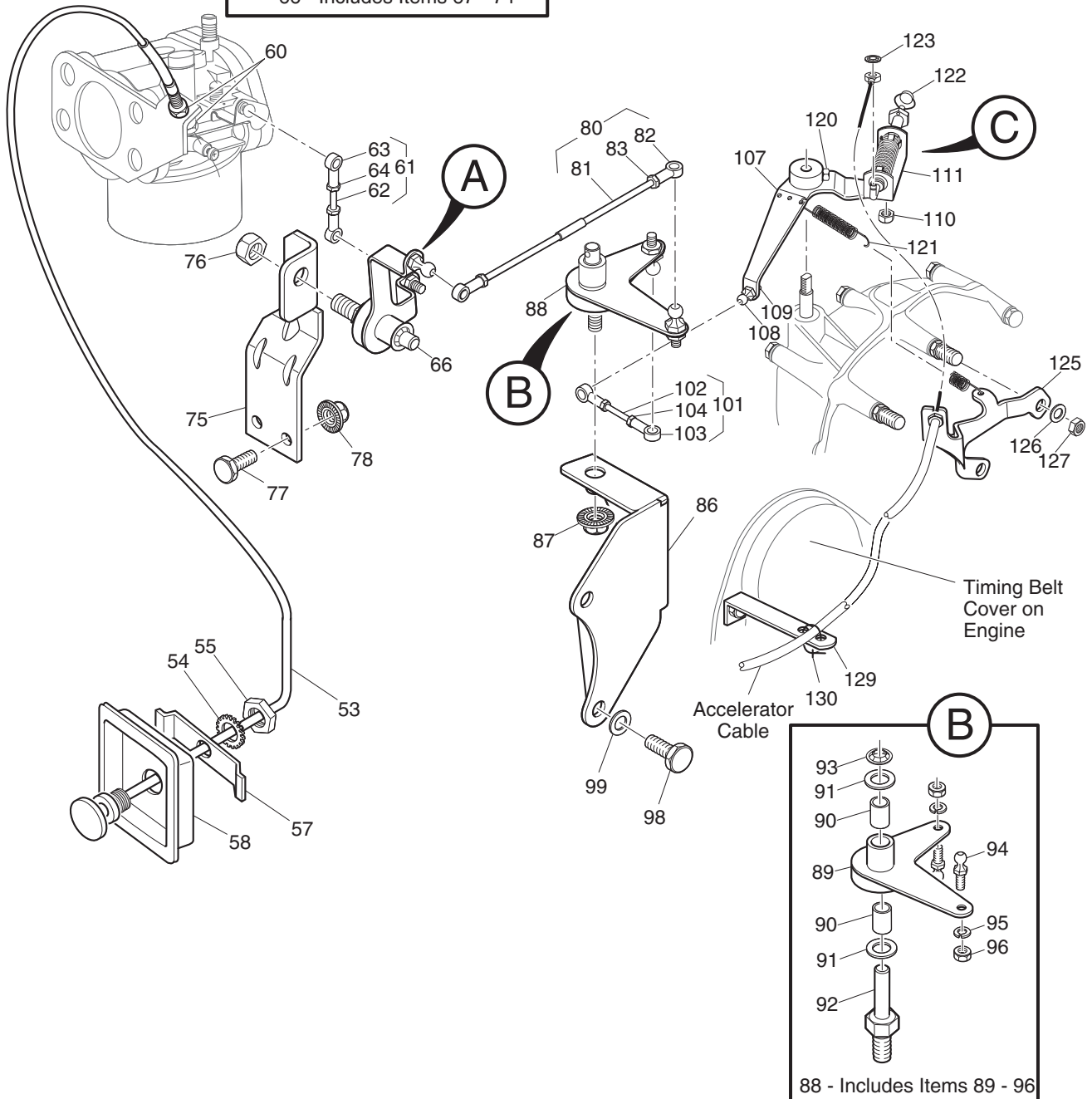
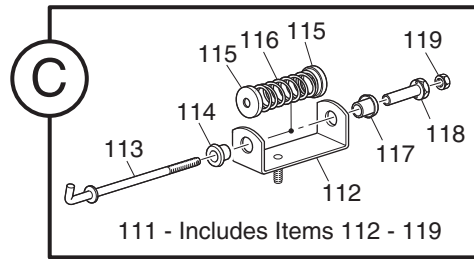
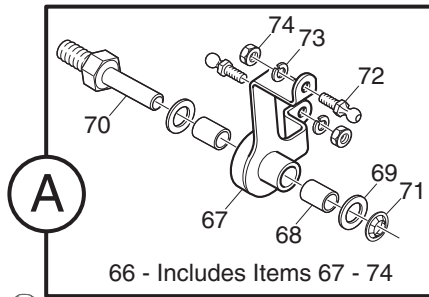
- 1 - Includes Items 3 - 39, 41 - 49
- 2 - Includes Items 3 - 37, 40 - 49 (TG5)



Ref Acl 8-1

ACCELERATOR

85 - Includes Items 86 - 96
106 - Includes Items 107 - 119



Ref Acl 8-2

ACCELERATOR

When ordering parts, please specify the model and serial number of the product.

* Indicates a component that is not available as an individual part.

G** Indicates consult Customer Service Department for additional information.

ITEM	PART NO.	1 2 3 4 5	DESCRIPTION	QTY.
1	72062-G02		PEDAL BOX ASSEMBLY (INCLUDES ITEMS 3 - 39, 41 - 49).....	1
2	72062-G06		PEDAL BOX ASSEMBLY (INCLUDES ITEMS 3 - 37, 40 - 49) (TG5).....	1
3	70116-G01		ACCELERATOR PEDAL BRACKET.....	1
4	01051-G01		SCREW, #8 - 16 X 1/2" LG	4
5	25853-G02		PEDAL BOX AND COVER	1
6	00684-G6		SCREW, #8 - 32 X 3/4" LG (STAINLESS STEEL).....	4
7	25861-G01		MICRO SWITCH.....	1
8	01050-G01		SCREW, #4 - 20 X 5/8" LG	2
9				
10	72066-G01		CONTROL ARM	1
11	23860-G1		BEARING.....	2
12	24621-G1		NYLON WASHER, 5/16".....	2
13	12064-G1		PUSH NUT, 5/16".....	1
14	25768-G01		PIVOT ROD	1
15	72199-G01		PIVOT BRACKET	1
16	14390-G1		LOCK NUT, 3/8-24.....	1
17				
18	72198-G03		MICRO SWITCH CAM.....	1
19	00550-G4		LOCK NUT, 5/16 - 24.....	1
20	00487-G3		SETSCREW, 1/4 - 20 X 3/8" LG	1
21	72074-G01		CONTROL ARM LINK	1
22	72225-G01		SHOULDER BOLT, #10 - 24 X 11/16" LG.....	1
23	00532-G4		NUT, 5/16 - 24.....	2
24	17677-G1		SPRING RETAINER	1
25	17979-G1		ACCELERATOR ROD BUSHING.....	1
26	73046-G01		COMPRESSION SPRING	1
27	17677-G2		SPRING RETAINER	1
28	72072-G01		ACCELERATOR ROD	1
29	10385-G4		CLEVIS YOKE (ADJUSTABLE).....	1
30	10386-G3		CLEVIS PIN, 5/16" X 13/16" LG	1

ACCELERATOR

When ordering parts, please specify the model and serial number of the product.

* Indicates a component that is not available as an individual part.

G** Indicates consult Customer Service Department for additional information.

ITEM	PART NO.	1	2	3	4	5	DESCRIPTION	QTY.
31	17838-G1						NYLON BUSHING	3
32	17255-G1						TEFLON WASHER, 5/16"	1
33	10387-G3						COTTER PIN, 3/32" X 3/4" LG	1
34	74432-G01						PEDAL PIVOT PIN	1
35	12064-G6						PUSH NUT, 9/32"	1
36	14390-G10						LOCK NUT, #10 - 24	1
37	12730-G1						WHEEL BEARING GREASE (NOT ILLUSTRATED)	A/R
38								
39	72201-G02						WIRE HARNESS (PEDAL BOX)	1
40	72201-G03						WIRE HARNESS (PEDAL BOX) (TG5)	1
41	17313-G1						FLEX LOOM (BULK)	AR
42	17618-G1						WIRE TIE	2
43	72402-G01						ACCELERATOR CABLE	1
44	00559-G8						WASHER, 5/16"	1
45	25799-G01						ACCELERATOR PEDAL ASSEMBLY (INCLUDES ITEMS 44 - 47)	1
46	27844-G01						ACCELERATOR PEDAL PAD KIT (INCLUDES ITEMS 45 - 46)	1
47	15766-G1						OVAL RIVET, 3/16" X 7/16" LG	6
48	27512-G01						ACCELERATOR PEDAL PAD	1
49	*						ACCELERATOR PEDAL	
50	00715-G2						BOLT, 5/16 - 18 X 4/5" LG	4
51	70135-G01						PEDAL PIVOT COVER	1
52								
53	72401-G01						CHOKE CABLE (WITH NUTS)	1
54	00568-G4						LOCK WASHER, 9/16"	1
55	00545-G4						JAM NUT, 9/16 - 18	1
56								
57	72155-G01						RETAINER	1
58	72154-G01						CHOKE CABLE ADAPTER	1
59								
60	00544-G4						JAM NUT, 5/16 - 24	2

ACCELERATOR

When ordering parts, please specify the model and serial number of the product.

* Indicates a component that is not available as an individual part.

G** Indicates consult Customer Service Department for additional information.

ITEM	PART NO.	1 2 3 4 5	DESCRIPTION	QTY.
61	25737-G01		CARBURETOR LINKAGE ROD (INCLUDES ITEMS 60 - 62).....	1
62	23722-G1		ADJUSTING ROD (SHORT).....	1
63	24465-G1		BALL JOINT SOCKET	2
64	00526-G4		NUT, #10 - 32.....	2
65				
66	25760-G01		CARBURETOR LINKAGE BELLCRANK (INCLUDES ITEMS 65 - 72).....	1
67	25759-G01		CARBURETOR PIVOT	1
68	23860-G1		BEARING	2
69	24621-G1		NYLON WASHER, 5/16".....	2
70	25768-G01		PIVOT ROD	1
71	12064-G1		PUSH NUT, 5/16".....	1
72	24479-G1		BALL JOINT BALL	2
73	00565-G5		LOCK WASHER, #10	2
74	00526-G4		NUT, #10 - 32.....	2
75	72197-G01		PIVOT BRACKET.....	1
76	14390-G1		LOCK NUT, 3/8 - 24	1
77	00661-G8		BOLT, 1/4 - 20 X 1" LG (STAINLESS STEEL).....	2
78	14390-G4		LOCK NUT, 1/4 - 20	2
79				
80	72254-G01		THROTTLE LINKAGE ROD ASSEMBLY (INCLUDES ITEMS 79 - 81).....	1
81	72609-G01		ADJUSTING ROD (LONG).....	1
82	24465-G1		BALL JOINT SOCKET	2
83	00526-G4		NUT, #10 - 32.....	2
84				
85	25702-G01		GOVERNOR PIVOT BRACKET ASSEMBLY (INCLUDES ITEMS 84 - 94).....	1
86	25655-G01		BELLCRANK BRACKET.....	1
87	14390-G1		LOCK NUT, 3/8 - 24.....	1
88	25763-G01		GOVERNOR PIVOT ASSEMBLY (INCLUDES ITEMS 87 - 94)	1
89	25762-G01		GOVERNOR PIVOT.....	1
90	23860-G1		BEARING	2

ACCELERATOR

When ordering parts, please specify the model and serial number of the product.

* Indicates a component that is not available as an individual part.

G** Indicates consult Customer Service Department for additional information.

ITEM	PART NO.	1	2	3	4	5	DESCRIPTION	QTY.
91	24621-G1						NYLON WASHER, 5/16"	2
92	25768-G01						PIVOT ROD.....	1
93	12064-G1						PUSH NUT, 5/16"	1
94	24479-G1						BALL JOINT BALL	2
95	00565-G5						LOCK WASHER, #10	2
96	00526-G4						NUT, #10 - 32	2
97								
98	00276-G6						BOLT, 5/16 - 24 X 3/4" LG	2
99	00565-G8						LOCK WASHER, 5/16".....	2
100								
101	25737-G03						GOVERNOR LINKAGE ROD (INCLUDES ITEMS 100 - 102)	1
102	23722-G1						ADJUSTING ROD.....	1
103	24465-G1						BALL JOINT SOCKET	2
104	00526-G4						NUT, #10 - 32.....	2
105								
106	25690-G01						GOVERNOR BELLCRANK ASSEMBLY (INCLUDES ITEMS 105 - 117)	1
107	25765-G01						GOVERNOR BELLCRANK.....	1
108	24479-G1						BALL JOINT BALL	1
109	00734-G5						LOCK NUT, #10 - 32.....	1
110	14390-G4						LOCK NUT, 1/4 - 20.....	1
111	22751-G2						GOVERNOR BRACKET ASSEMBLY (INCLUDES ITEMS 110 - 117).....	1
112	22752-G1						GOVERNOR BRACKET	1
113	25274-G1						GOVERNOR ROD	1
114	22754-G1						BUSHING	1
115	25661-G01						CUP WASHER	2
116	23578-G1						COMPRESSION SPRING.....	1
117	22754-G2						BUSHING	1
118	23859-G1						GOVERNOR ADJUSTER	1
119	00526-G4						NUT, #10 - 32	1
120	00491-G4						SETSCREW, 1/4 - 20 X 1/2" LG.....	2

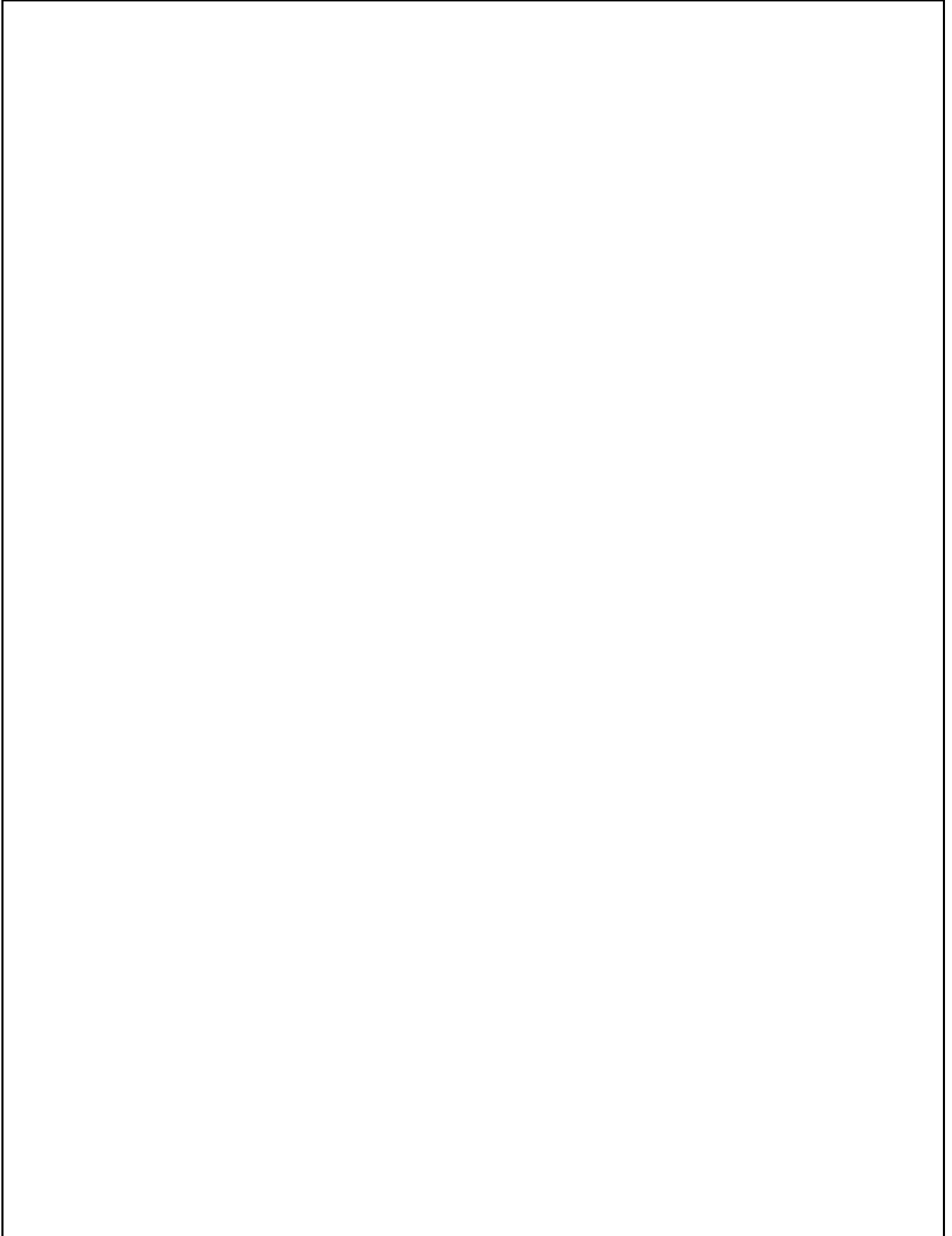
ACCELERATOR

When ordering parts, please specify the model and serial number of the product.

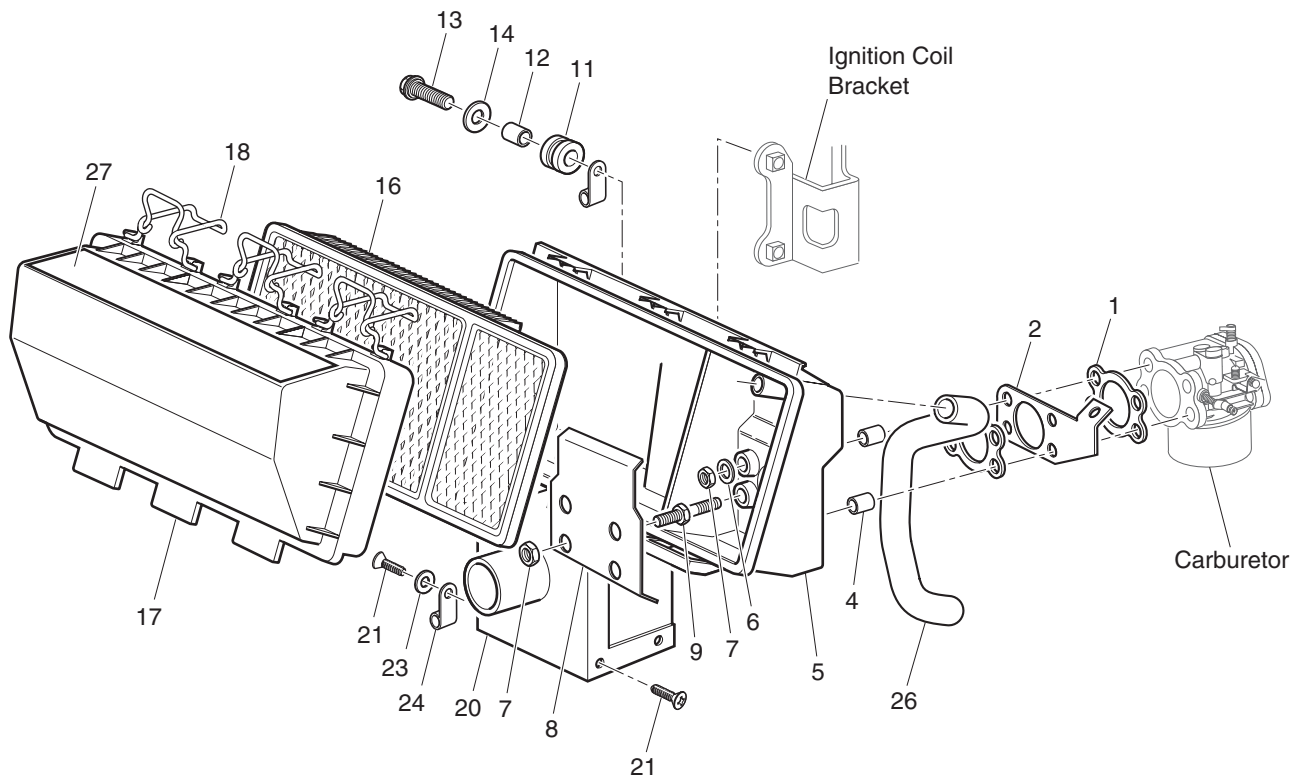
* Indicates a component that is not available as an individual part.

G** Indicates consult Customer Service Department for additional information.

ITEM	PART NO.	1 2 3 4 5	DESCRIPTION	QTY.
121	25738-G01		SPRING.....	1
122	25286-G1		SAFETY SEAL, 3/8"	1
123	12064-G3		PUSH NUT, 3/16"	1
124				
125	25653-G01		ACCELERATOR CABLE BRACKET	1
126	26826-G01		LOCK WASHER, 8 MM	2
127	26827-G01		NUT, M8 X 1.25 MM	2
128				
129	72055-G01		ACCELERATOR CABLE BRACKET	1
130	17618-G1		WIRE TIE	7



AIR CLEANER



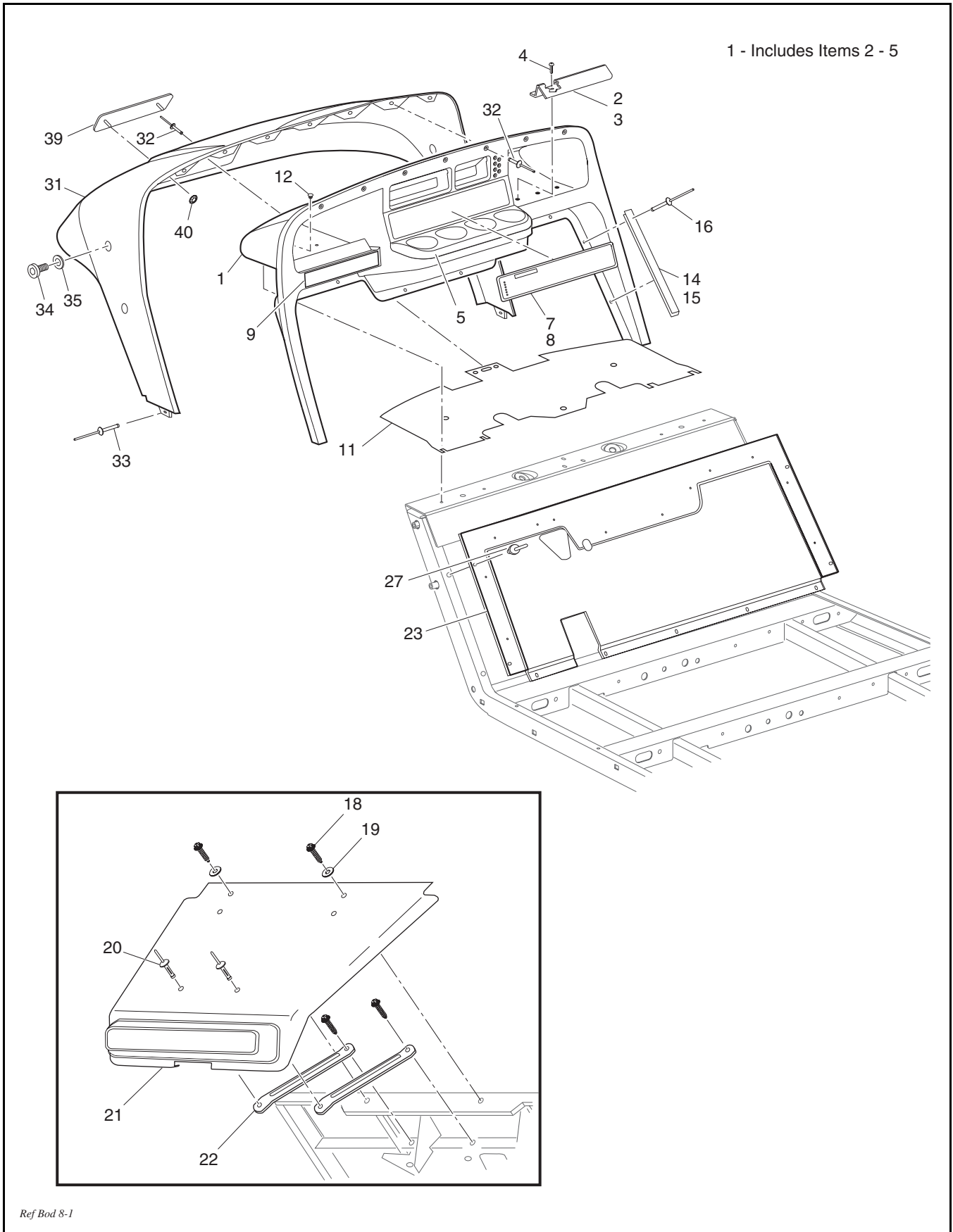
Ref Air 8

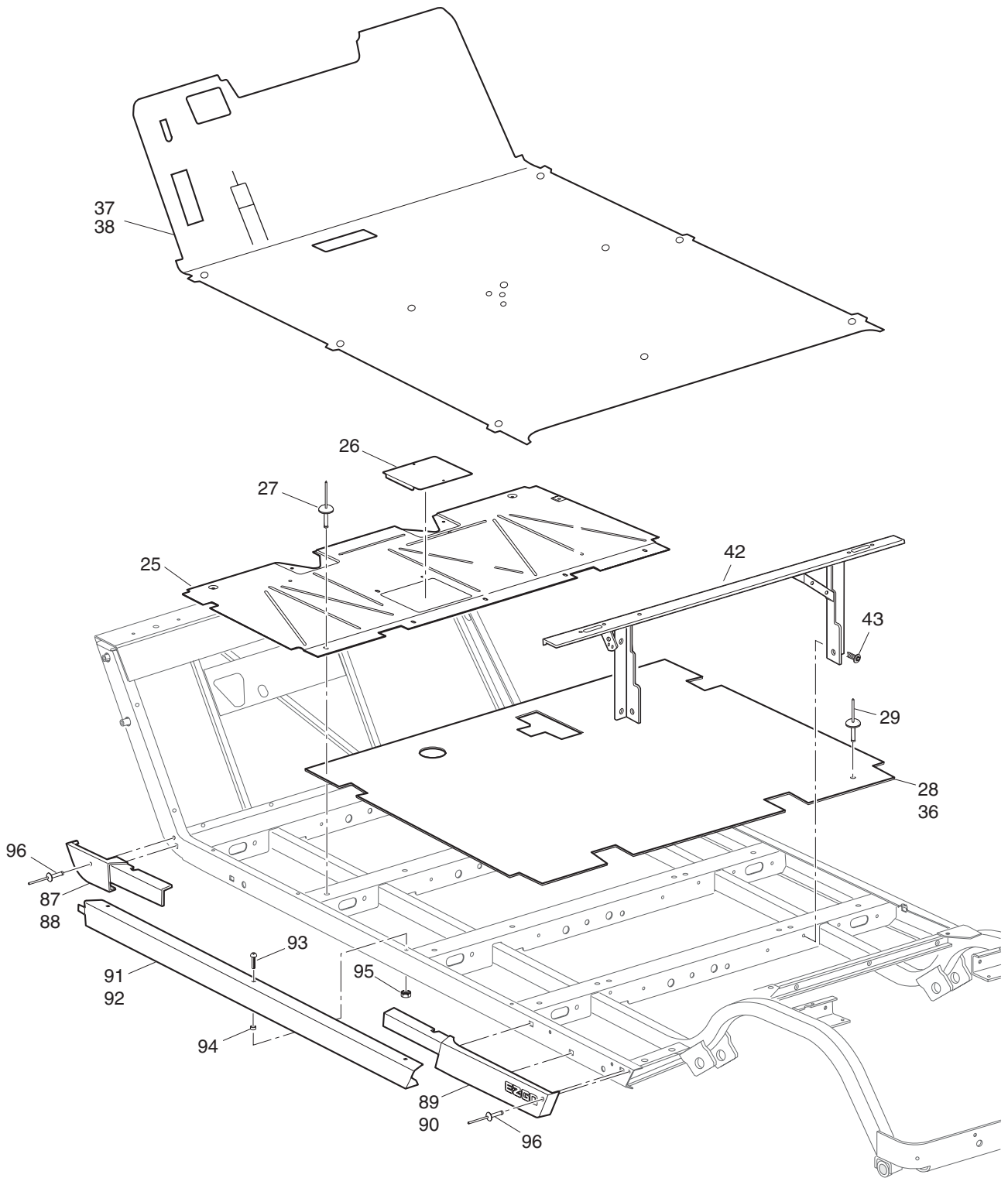
AIR CLEANER

THE USE OF NON U.L. PARTS WILL VOID ANY U.L. LISTING.
 When ordering parts, please specify the model and serial number of the product.
 * Indicates a component that is not available as an individual part.
 G** Indicates consult Customer Service Department for additional information.

ITEM	PART NO.	1 2 3 4 5	DESCRIPTION	QTY.
1	72710-G01		CARBURETOR / AIR BOX GASKET	2
2	26728-G01		CHOKE BRACKET.....	1
3				
4	23726-G6		SPACER, 7/16".....	4
5	72178-G01		HOUSING.....	1
6	00664-G7		LOCK WASHER, 1/4" (STAINLESS STEEL)	2
7	13632-G1		NUT, M6 X 1	4
8	72529-G01		BAFFLE.....	1
9	72514-G01		STUD, M6 X 1 X 39 MM LG	2
10				
11	72147-G01		RUBBER GROMMET.....	2
12	23726-G7		SPACER, 9/16".....	2
13	26671-G01		BOLT AND WASHER, M6 X 1 X 30 MM LG	2
14	26701-G01		WASHER, 6.5 MM.....	2
15				
16	72368-G01		AIR FILTER ELEMENT	1
17	72179-G01		AIR FILTER COVER.....	1
18	72145-G01		LATCH.....	3
19				
20	72146-G01		INLET COVER	1
21	00614-G5		SCREW, #8 - 18 X 5/8" LG.....	6
22				
23	00559-G5		WASHER, #10.....	1
24	27327-G01		CLAMP	2
25				
26	72151-G01		PCV HOSE	1
27	74093-G01		LABEL (WARNING).....	1

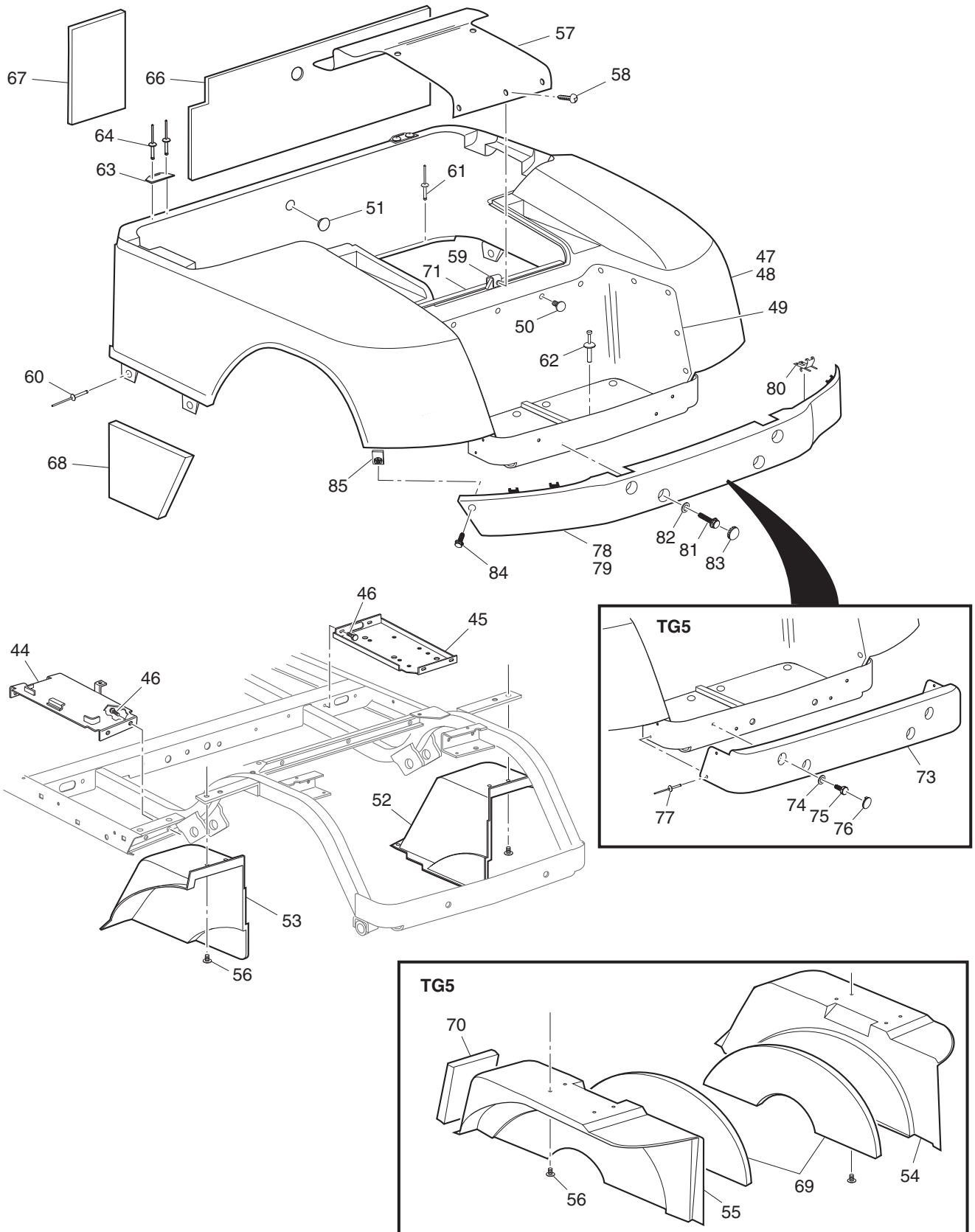
BODY



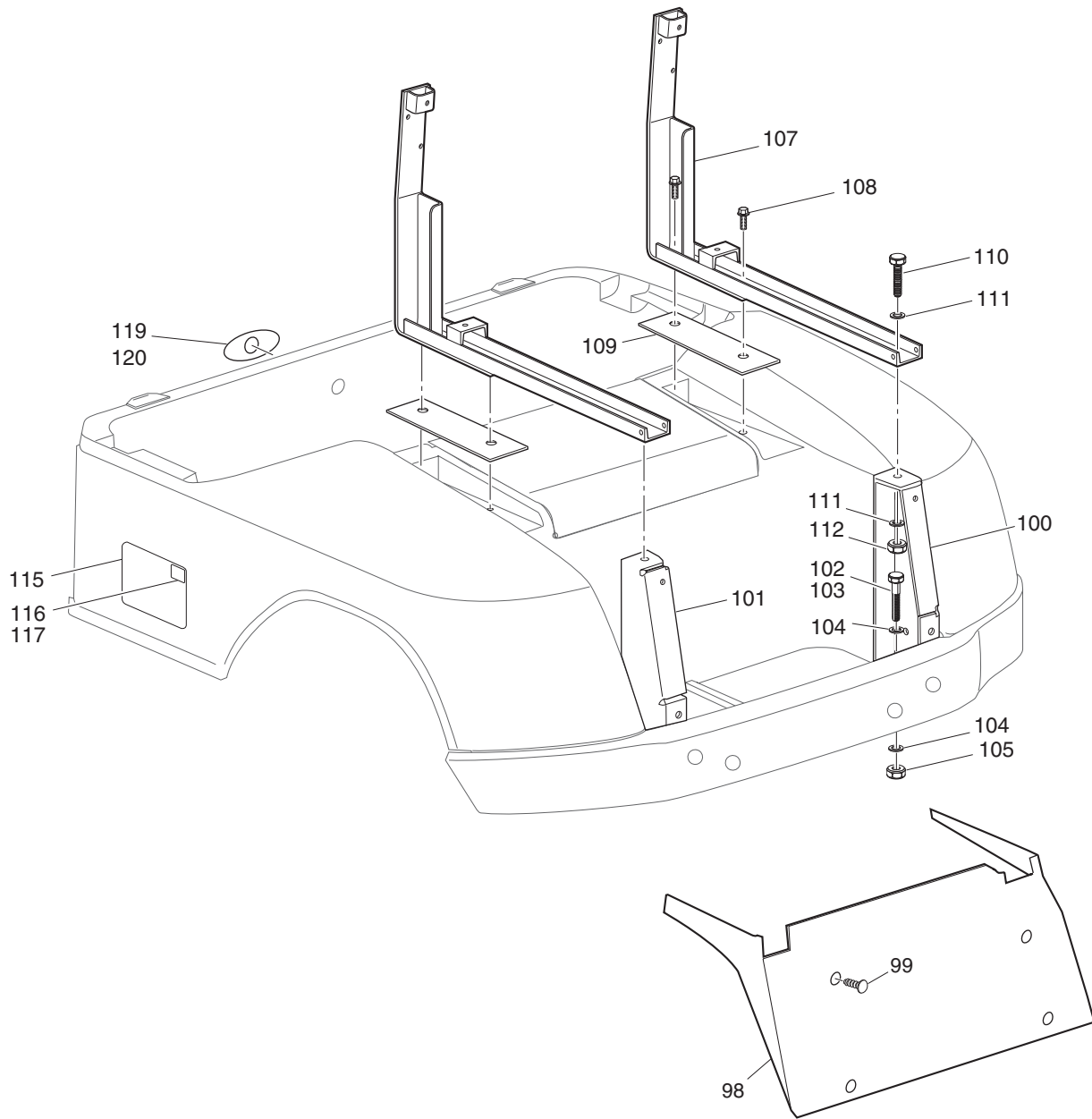


Ref Bod 8-2

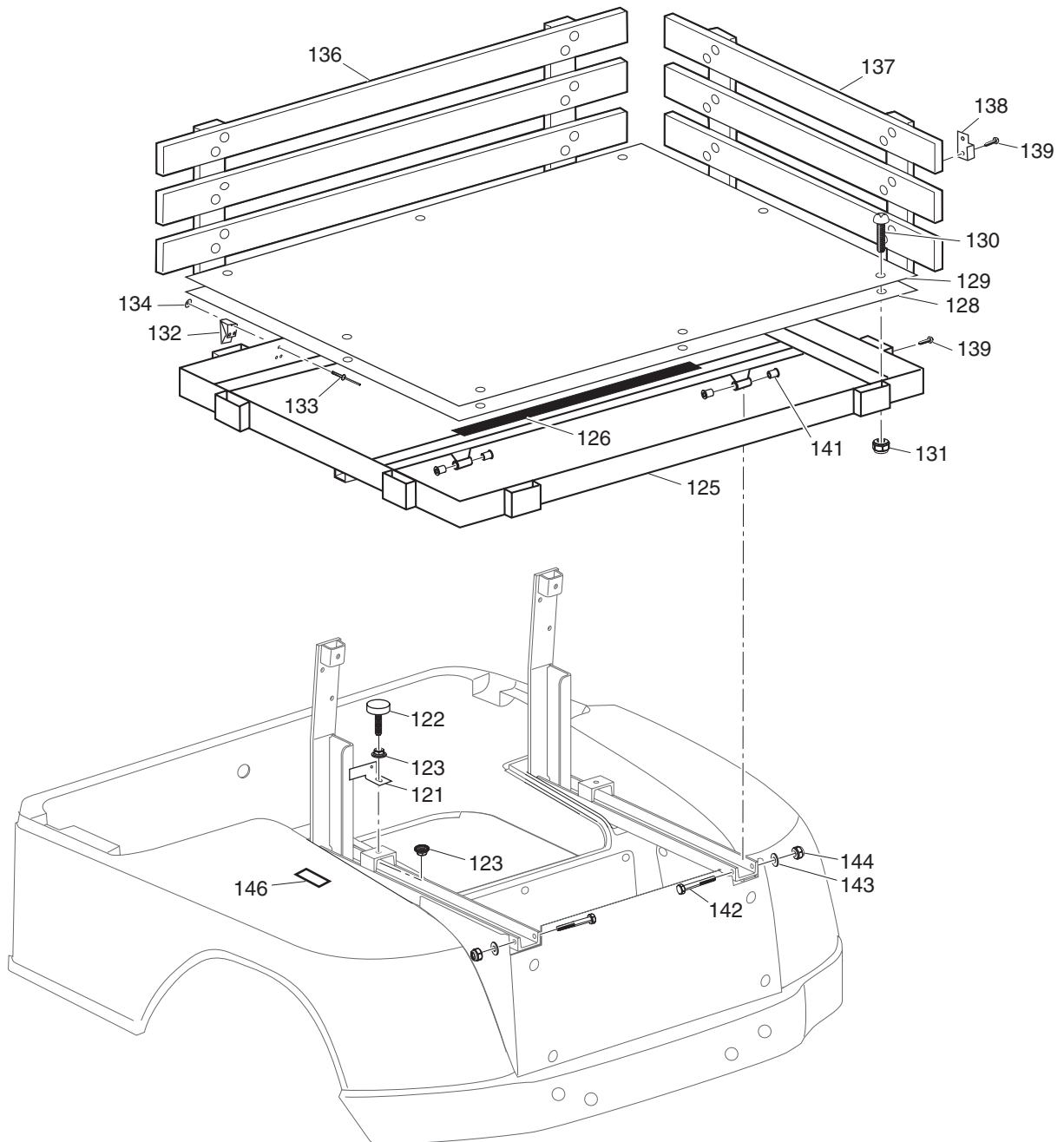
BODY



Ref Bod 8-3

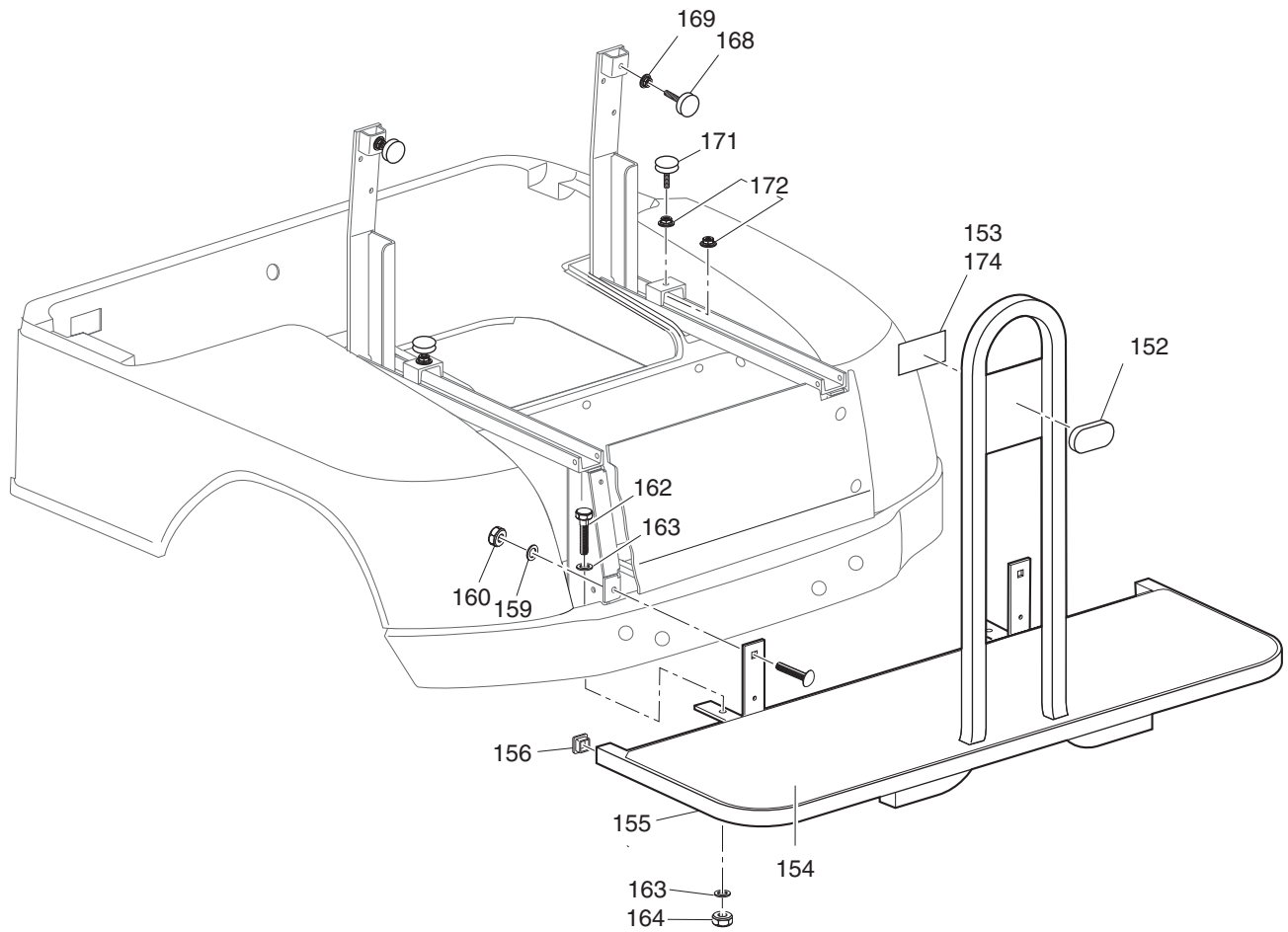


BODY



Ref Bod 8-5

151 - Includes Items 152 - 155



BODY

THE USE OF NON U.L. PARTS WILL VOID ANY U.L. LISTING.

When ordering parts, please specify the model and serial number of the product.

* Indicates a component that is not available as an individual part.

G** Indicates consult Customer Service Department for additional information.

ITEM	PART NO.	1 2 3 4 5	DESCRIPTION	QTY.
1	71151-G01		INSTRUMENT PANEL ASSEMBLY (INCLUDES ITEMS 2 - 5)	1
2	71153-G01		BALL DEFLECTOR (PASSENGER SIDE).....	1
3	71154-G01		BALL DEFLECTOR (DRIVER SIDE)	1
4	00614-G5		SCREW, #8 - 18 X 5/8" LG	6
5	71158-G01		INSTRUMENT PANEL INSERT (4 CUP HOLDER).....	1
6				
7	74078-G01		LABEL (SAFETY).....	1
8	35345-G01		LABEL (SAFETY) (EC)	1
9	74443-G01		LABEL (ANTI-ROLLBACK)	1
10				
11	71413-G01		SPLASH PANEL.....	1
12	16816-G2		RATCHET FASTENER, 1/4" X 3/4" LG	5
13				
14	71115-G01		VINYL TRIM (SHUTTLE - QTY 2) (TG5 - QTY 1).....	AR
15	71115-G02		VINYL TRIM DRIVER SIDE (TG5).....	1
16	71055-G01		RIVET, 3/16" X 1" LG (ALUMINUM).....	10
17				
18	01038-G01		BOLT, 1/4 - 20 X 11/16" LG	4
19	16469-G7		WASHER, 1/4"	2
20	01057-G01		RIVET, KTR, 1/4" X 3/4" LG	2
21	27166-G02		FRONT SHIELD	1
22	71015-G01		FRONT SHIELD BRACE.....	2
23	70662-G01		UPPER FLOORPAN.....	1
24				
25	70451-G01		LOWER FLOORPAN.....	1
26	70452-G01		ACCESS COVER.....	1
27	14601-G11		RIVET, 3/16" X 9/16" LG (ALUMINUM)	16
28	70316-G01		REAR FLOORPAN	1
29	10570-G10		RIVET, 5/32" X 9/16" LG (STAINLESS STEEL)	5
30				

THE USE OF NON U.L. PARTS WILL VOID ANY U.L. LISTING.
 When ordering parts, please specify the model and serial number of the product.
 * Indicates a component that is not available as an individual part.
 G** Indicates consult Customer Service Department for additional information.

ITEM	PART NO.	1 2 3 4 5	DESCRIPTION	QTY.
31	71051-G**		COWL.....	1
32	71055-G01		RIVET, 3/16" X 1" LG (ALUMINUM).....	9
33	10570-G11		RIVET, 3/16" X 3/4" LG (STAINLESS STEEL).....	2
34	71056-G01		BOLT, 5/16 - 18 X 5/8" LG.....	4
35	00570-G2		WASHER, 5/16.....	4
36	70823-G01		REAR FLOORPAN (HAND PARK BRAKE).....	1
37	70668-G0*		FLOORMAT (HAND PARK BRAKE).....	1
38	70663-G0*		FLOORMAT.....	1
39	71037-G02		E-Z-GO NAMEPLATE (GOLD).....	1
40	12064-G3		PUSHNUT, 3/16".....	2
41				
42	70440-G01		SEAT FRAME.....	1
43	00715-G2		BOLT, 5/16 - 18 X 4/5" LG.....	2
44	70245-G01		BATTERY TRAY.....	1
45	70244-G02		SPLASH PAN.....	1
46	00715-G2		BOLT, 5/16 - 18 X 4/5" LG.....	8
47	71912-G6**		REAR BODY ASSEMBLY (W/OUT TAILLIGHTS) (INCLUDES ITEMS 49, 50).....	1
48	71332-G3**		REAR BODY ASSEMBLY (W/ TAILLIGHTS) (INCLUDES ITEMS 49, 50).....	1
49	71318-G01		BAGWELL LINER.....	1
50	16816-G1		RATCHET FASTENER, 1/4" X 9/16" LG.....	12
51	71316-G01		PLUG.....	1
52	71812-G01		FENDER LINER (PASSENGER SIDE) (SHUTTLE).....	1
53	71812-G02		FENDER LINER (DRIVER SIDE) (SHUTTLE).....	1
54	71551-G05		FENDER LINER (PASSENGER SIDE) (TG5).....	1
55	71552-G05		FENDER LINER (DRIVER SIDE) (TG5).....	1
56	16816-G2		RATCHET FASTENER, 1/4" X 3/4" LG.....	8
57	71320-G01		ACCESS PANEL.....	1
58	01107-G01		SCREW, #8 X 3/8" LG (STAINLESS STEEL).....	5
59	71364-G02		'J' CLIP.....	1
60	10570-G12		RIVET, 1/4" X 9/16" LG (ALUMINUM).....	4

BODY

THE USE OF NON U.L. PARTS WILL VOID ANY U.L. LISTING.

When ordering parts, please specify the model and serial number of the product.

* Indicates a component that is not available as an individual part.

G** Indicates consult Customer Service Department for additional information.

ITEM	PART NO.	1 2 3 4 5	DESCRIPTION	QTY.
61	10570-G10		RIVET, 5/32" X 9/16" LG (STAINLESS STEEL)	6
62	18436-G1		PLASTIC DRIVE RIVET, 1/4" X 3/4" LG	2
63	71609-G01		HINGE PLATE	2
64	10570-G11		RIVET, 3/16" X 3/4" LG (STAINLESS STEEL)	4
65				
66	72112-G01		SEATWRAP NOISE SUPPRESSOR (LARGE).....	1
67	72549-G01		SEATWRAP NOISE SUPPRESSOR (SMALL)	1
68	72552-G01		SEATWRAP NOISE SUPPRESSOR (DRIVER SIDE, SIDE).....	1
69	72548-G01		FENDER NOISE SUPPRESSOR	2
70	72551-G01		FENDER NOISE SUPPRESSOR (DRIVER SIDE, FRONT).....	1
71	22744-G1		BAGWELL NOISE SUPPRESSOR	1
72				
73	70939-G01		BUMPER (TG5).....	1
74	00559-G8		WASHER, 5/16"	4
75	01039-G01		BOLT, 1/4 - 20 X 5/8" LG	4
76	71514-G01		BUMPER PLUG	4
77	14601-G17		RIVET, 3/16" X 9/16" LG (ALUMINUM)	4
78	71451-G02		BUMPER (SHUTTLE 4)	1
79	71456-G01		BUMPER (SHUTTLE 6)	1
80	71457-G01		STAY	4
81	71398-G01		BOLT, 1/4 - 20 X 1 1/4" LG (SHUTTLE 4 - QTY 4) (SHUTTLE 6 - QTY 2)	AR
82	00559-G8		WASHER, 5/16" (SHUTTLE 4 - QTY 4) (SHUTTLE 6 - QTY 2).....	AR
83	71455-G01		BUMPER PLUG	4
84	01038-G01		BOLT, 1/4 - 20 x 11/16" LG	2
85	01042-G01		'J' TYPE NUT RETAINER, 1/4 - 20	2
86				
87	71642-G02		ROCKER PANEL (FRONT, PASSENGER SIDE).....	1
88	71642-G01		ROCKER PANEL (FRONT, DRIVER SIDE)	1
89	71643-G02		ROCKER PANEL (REAR, PASSENGER SIDE).....	1
90	71643-G01		ROCKER PANEL (REAR, DRIVER SIDE)	1

THE USE OF NON U.L. PARTS WILL VOID ANY U.L. LISTING.
 When ordering parts, please specify the model and serial number of the product.
 * Indicates a component that is not available as an individual part.
 G** Indicates consult Customer Service Department for additional information.

ITEM	PART NO.	1 2 3 4 5	DESCRIPTION	QTY.
91	71641-G01		SILL PLATE (PASSENGER SIDE)	1
92	71641-G02		SILL PLATE (DRIVER SIDE).....	1
93	16705-G1		SCREW, 1/4 - 20 X 1" LG (STAINLESS STEEL)	6
94	23726-G4		SPACER, 5/16".....	6
95	00654-G2		LOCK NUT, 1/4 - 20 (STAINLESS STEEL)	6
96	15058-G6		RIVET, 3/16" X 15/16" LG (ALUMINUM).....	4
97				
98	74149-G01		VALANCE PANEL	1
99	16816-G2		RATCHET FASTENER, 1/4" X 3/4" LG	4
100	74126-G01		VERTICAL FRAME SUPPORT (PASSENGER SIDE)	1
101	74126-G02		VERTICAL FRAME SUPPORT (DRIVER SIDE).....	1
102	00427-G4		BOLT, 3/8 - 16 X 1 1/2" LG (SHUTTLE 4)	2
103	00427-G6		BOLT, 3/8 - 16 X 1 3/4" LG (SHUTTLE 6)	2
104	00560-G1		WASHER, 3/8"	4
105	11098-G5		LOCK NUT, 3/8 - 16	2
106				
107	74111-G01		SEAT BACK SUPPORT	2
108	01006-G02		SELF TAPPING SCREW, 3/8 - 16 X 1 1/2" LG	4
109	70364-G01		SPACER	2
110	00426-G8		BOLT, 3/8 - 16 X 1" LG	2
111	00560-G1		WASHER, 3/8"	4
112	11098-G5		LOCK NUT, 3/8 - 16	2
113				
114				
115	35434-G01		LABEL (SHUTTLE)	2
116	35430-G13		LABEL (6).....	2
117	35430-G14		LABEL (4).....	2
118				
119	12109-G01		LABEL (F-R).....	1
120	73317-G01		LABEL (F-R) (EC)	1

BODY

THE USE OF NON U.L. PARTS WILL VOID ANY U.L. LISTING.

When ordering parts, please specify the model and serial number of the product.

* Indicates a component that is not available as an individual part.

G** Indicates consult Customer Service Department for additional information.

ITEM	PART NO.	1 2 3 4 5	DESCRIPTION	QTY.
121	74086-G01		HOLD DOWN BRACKET	1
122	70113-G01		ADJUSTABLE BUMPER	2
123	11027-G1		LOCK NUT, 5/16 - 18	4
124				
125	74080-G01		CARGO DECK	1
126	23052-G1		NOISE SUPPRESSOR	1
127				
128	74082-G01		STEEL DECK	1
129	74097-G01		CARGO BED MAT	1
130	16705-G3		SCREW, 1/4 - 20 X 3/4" LG (STAINLESS STEEL)	8
131	14390-G4		LOCK NUT, 1/4 - 20	8
132	74089-G01		LATCH	1
133	10570-G10		RIVET, 5/32" X 9/16" LG (STAINLESS STEEL)	3
134	00559-G4		WASHER, #8	1
135				
136	34280-G02		FRONT/REAR CARGO RACK	2
137	34280-G01		SIDE CARGO RACK	2
138	74079-G01		TAILGATE RETAINER BRACKET	2
139	00666-G6		SCREW, #10 - 12 X 3/4" LG (STAINLESS STEEL)	10
140				
141	17838-G1		BUSHING	4
142	00440-G4		BOLT, 5/16 - 18 X 2 1/2" LG	2
143	00559-G8		WASHER, 5/16"	2
144	01109-G01		LOCK NUT, 5/16 - 18 (STAINLESS STEEL)	2
145				
146	74099-G01		WARNING LABEL	1
147				
148				
149				
150				

THE USE OF NON U.L. PARTS WILL VOID ANY U.L. LISTING.

When ordering parts, please specify the model and serial number of the product.

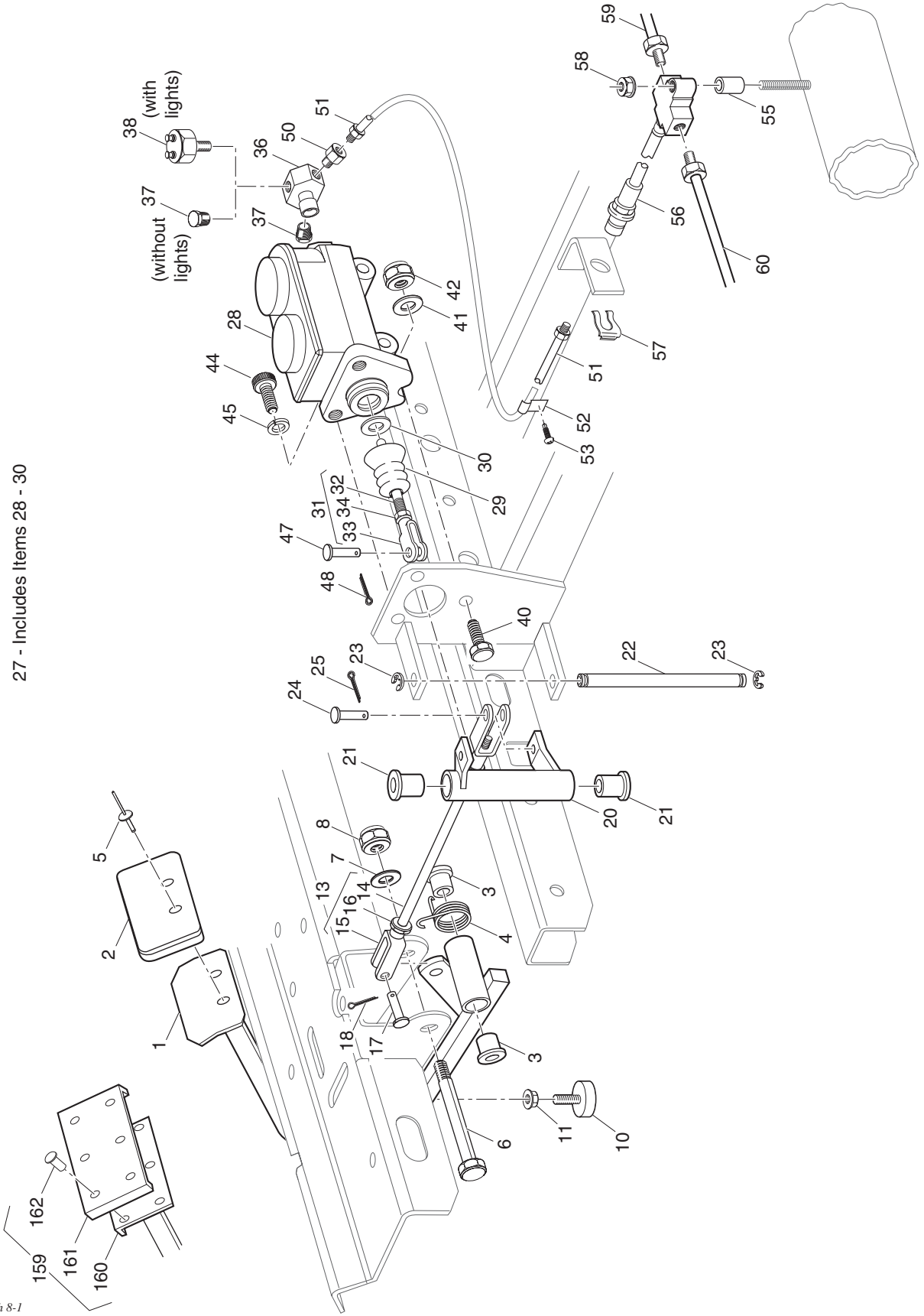
* Indicates a component that is not available as an individual part.

G** Indicates consult Customer Service Department for additional information.

ITEM	PART NO.	1 2 3 4 5	DESCRIPTION	QTY.
151	70361-G02		FOOT REST ASSEMBLY (INCLUDES ITEMS 152 - 155)	1
152	74129-G01		REFLECTOR	1
153	74132-G01		WARNING LABEL	1
154	70362-G01		FLOOR MAT	1
155	70633-G01		FOOT REST	1
156	19853-G1		END PLUG	2
157				
158	00769-G2		CARRIAGE BOLT, 3/8 - 16 X 1 1/4" LG	2
159	00560-G1		WASHER, 3/8"	2
160	11098-G5		LOCK NUT, 3/8 - 16	2
161				
162	00427-G6		BOLT, 3/8 - 16 X 1 3/4" LG	2
163	00560-G1		WASHER, 3/8"	4
164	11098-G5		LOCK NUT, 3/8 - 16	2
165				
166				
167				
168	70113-G01		ADJUSTABLE BUMPER	2
169	11027-G1		LOCK NUT, 5/16 - 18	2
170				
171	70113-G01		ADJUSTABLE BUMPER	2
172	11027-G1		LOCK NUT, 5/16 - 18	4
173				
174	74074-G01		LABEL, WARNING (EC).....	1

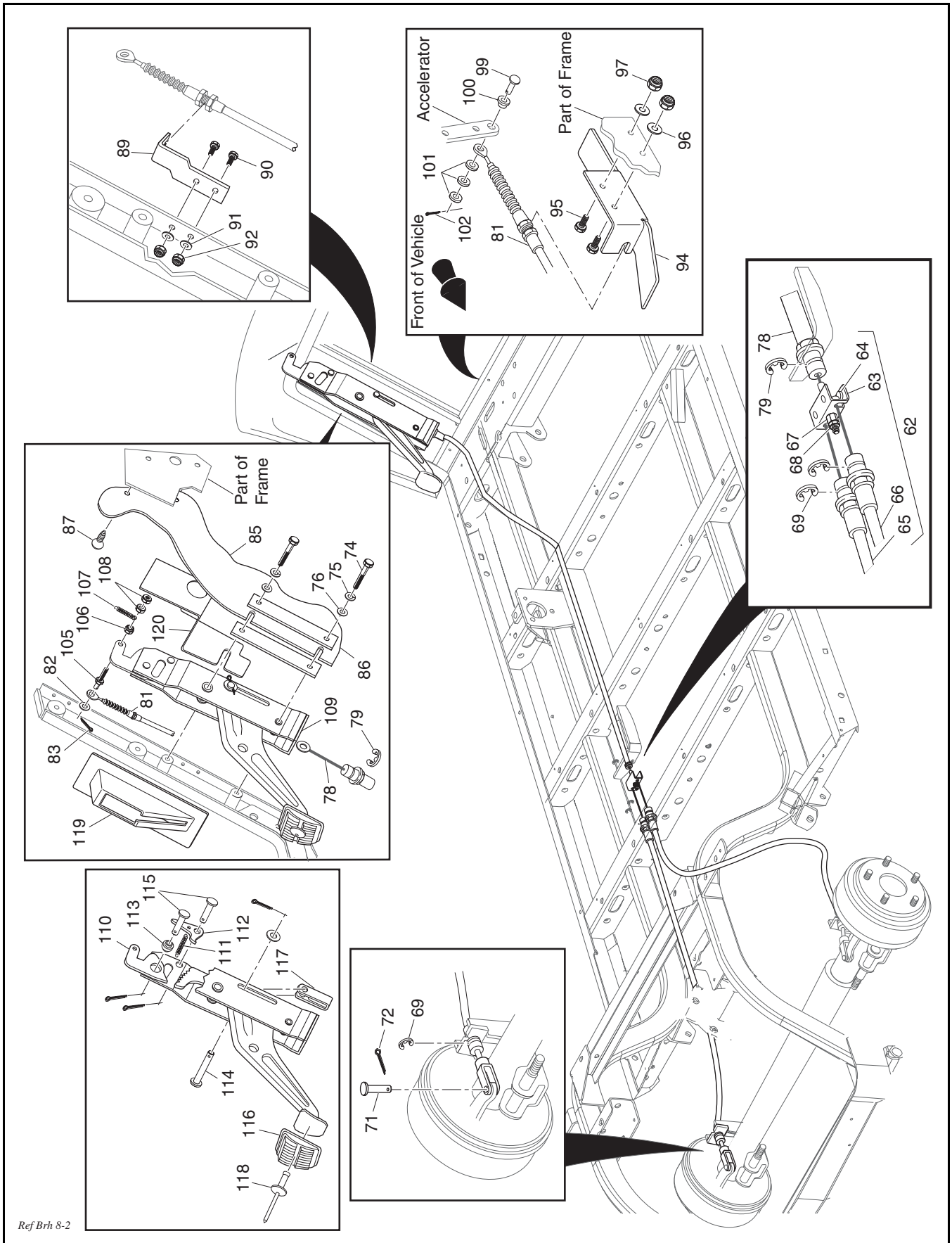
BRAKES - HYDRAULIC

27 - Includes Items 28 - 30



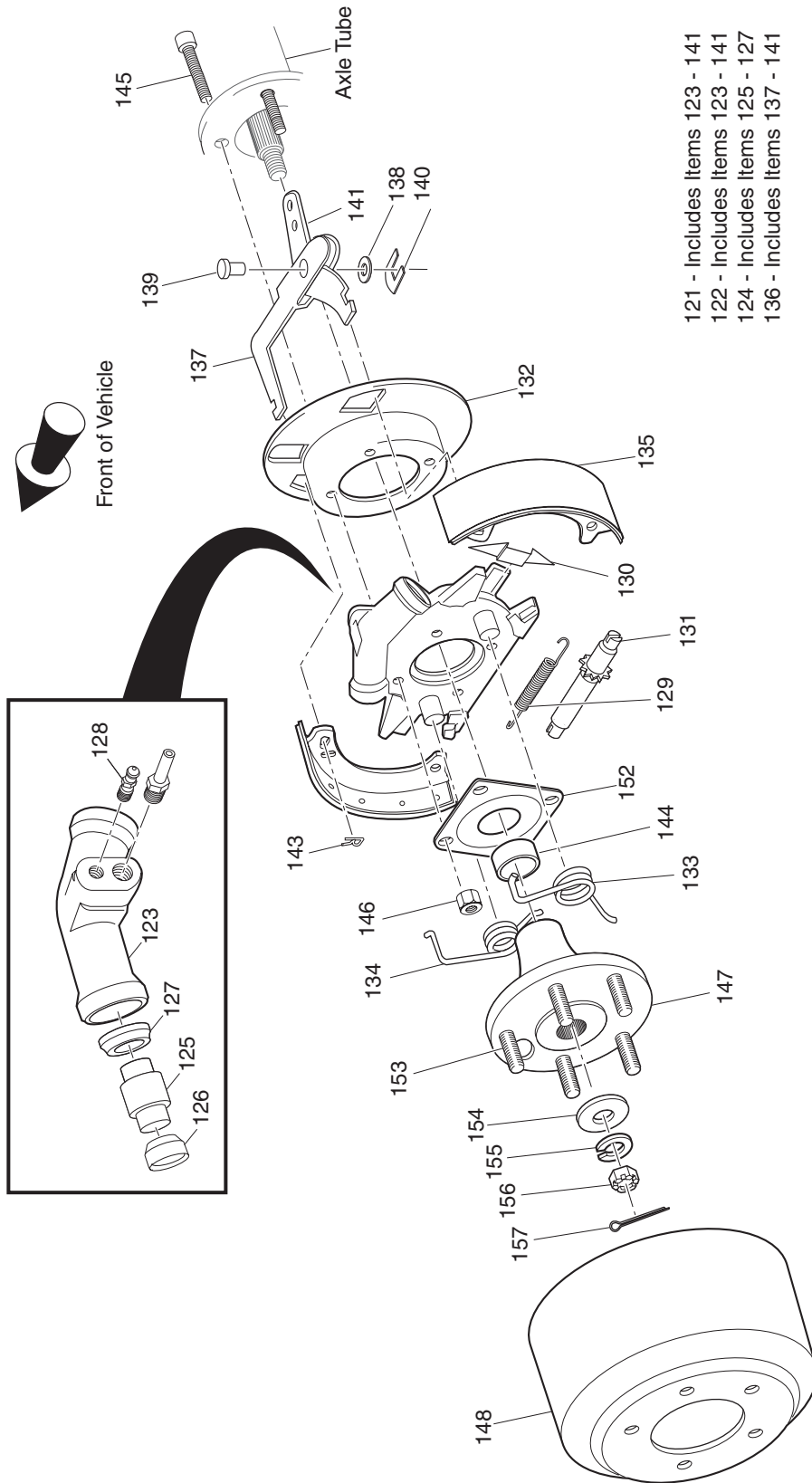
Ref Brh 8-1

BRAKES - HYDRAULIC



Ref Brh 8-2

BRAKES - HYDRAULIC



Ref Brh 8-3

BRAKES - HYDRAULIC

THE USE OF NON U.L. PARTS WILL VOID ANY U.L. LISTING.

When ordering parts, please specify the model and serial number of the product.

* Indicates a component that is not available as an individual part.

G** Indicates consult Customer Service Department for additional information.

ITEM	PART NO.	1 2 3 4 5	DESCRIPTION	QTY.
1	70687-G01		BRAKE PEDAL	1
2	11039-G1		BRAKE PEDAL PAD	1
3	70581-G01		FLANGED BUSHING	2
4	70676-G01		TORSION SPRING	1
5	14269-G1		RIVET, 3/16" X 1/2" LG	2
6	70582-G01		SHOULDER BOLT, 3/8 - 16 X 4" LG (STAINLESS STEEL).....	1
7	00643-G1		WASHER, 3/8"	1
8	11098-G5		LOCK NUT, 3/8 - 16	1
9				
10	70113-G01		ADJUSTABLE RUBBER BUMPER	1
11	11027-G1		LOCK NUT, 5/16 - 18	1
12				
13	30295-G8		LINKAGE ROD ASSEMBLY (INCLUDES ITEMS 14 - 16).....	1
14	30297-G8		THREADED ROD	1
15	10385-G4		CLEVIS YOKE (ADJUSTABLE).....	2
16	00544-G4		JAM NUT, 5/16 - 24.....	2
17	10386-G3		CLEVIS PIN, 5/16" X 13/16" LG.....	1
18	10387-G3		COTTER PIN, 3/32" X 3/4" LG.....	1
19				
20	70415-G01		BRAKE BELLCRANK.....	1
21	70581-G01		FLANGED BUSHING	2
22	70410-G01		BELLCRANK SHAFT	1
23	01111-G01		RETAINING RING, 13/32" (STAINLESS STEEL).....	2
24	10386-G3		CLEVIS PIN, 5/16" X 13/16" LG.....	1
25	10387-G3		COTTER PIN, 3/32" X 3/4" LG.....	1
26	28066-G02		MASTER CYLINDER REPAIR KIT (NOT SHOWN).....	AR
27	70643-G03		MASTER CYLINDER SERVICE KIT (INCLUDES ITEMS 28 - 30).....	1
28	*		MASTER CYLINDER (INCLUDES ITEM 29).....	1
29	32768-G1		BOOT	1
30	00675-G1		WASHER, 3/8" (STAINLESS STEEL).....	1

BRAKES - HYDRAULIC

THE USE OF NON U.L. PARTS WILL VOID ANY U.L. LISTING.

When ordering parts, please specify the model and serial number of the product.

* Indicates a component that is not available as an individual part.

G** Indicates consult Customer Service Department for additional information.

ITEM	PART NO.	1 2 3 4 5	DESCRIPTION	QTY.
31	30298-G2		PUSH ROD ASSEMBLY (INCLUDES ITEMS 32 - 34).....	1
32	30293-G2		PUSH ROD, 3 1/8" LG	1
33	21508-G1		CLEVIS YOKE	1
34	00544-G6		JAM NUT, 3/8 - 24.....	1
35				
36	26469-G01		MALE BRANCH - TEE	1
37	21503-G1		PIPE PLUG	A/R
38	21510-G1		BRAKE LIGHT SWITCH (IF EQUIPPED WITH BRAKE LIGHTS).....	1
39				
40	00427-G4		BOLT, 3/8 - 16 X 1 1/2" LG	2
41	00560-G1		WASHER, 3/8"	1
42	11098-G5		LOCK NUT, 3/8 - 16	2
43				
44	01020-G01		SCREW, 3/8 - 16 X 1" LG.....	1
45	00566-G1		LOCK WASHER, 3/8"	1
46				
47	14443-G3		CLEVIS PIN, 5/16" X 1" LG	1
48	10387-G3		COTTER PIN, 3/32" X 3/4" LG	1
49				
50	33724-G01		INVERTED FLARE FITTING	1
51	21104-G11		BRAKE LINE WITH NUTS, 60" LG	1
52	11845-G5		INSULATED CABLE CLAMP, 3/8"	2
53	00100-G6		SELF THREADING SCREW, #10 X 3/4" LG.....	2
54				
55	73266-G01		SPACER.....	1
56	33534-G01		HYDRAULIC HOSE	1
57	11456-G1		FLEX HOSE CLIP	1
58	01109-G01		LOCK NUT, 5/16 - 18 (STAINLESS STEEL)	1
59	21104-G9		BRAKE LINE WITH NUTS - 30" LG	1
60	21104-G3		BRAKE LINE WITH NUTS - 12" LG	1

BRAKES - HYDRAULIC

THE USE OF NON U.L. PARTS WILL VOID ANY U.L. LISTING.

When ordering parts, please specify the model and serial number of the product.

* Indicates a component that is not available as an individual part.

G** Indicates consult Customer Service Department for additional information.

ITEM	PART NO.	1 2 3 4 5	DESCRIPTION	QTY.
61				
62	70716-G04		BRAKE CABLE ASSEMBLY (INCLUDES ITEMS 63 - 66).....	1
63	28082-G01		EQUALIZER BRACKET.....	1
64	28083-G01		BRAKE COMPENSATOR BUMPER.....	2
65	*		BRAKE CABLE, DRIVER SIDE	1
66	*		BRAKE CABLE, PASSENGER SIDE	1
67	00963-G01		SPHERICAL NUT, 5/16 - 24.....	1
68	11098-G9		LOCK NUT, 5/16 - 24	1
69	01111-G01		RETAINING RING, 13/32" (STAINLESS STEEL).....	4
70				
71	10386-G3		CLEVIS PIN, 5/16" X 13/16" LG	2
72	10387-G3		COTTER PIN, 3/32" X 3/4" LG	2
73				
74	00440-G2		BOLT, 5/16 - 18 X 2 1/4" LG	2
75	00565-G8		LOCK WASHER, 5/16".....	2
76	01110-G03		WASHER, 5/16" (STAINLESS STEEL)	2
77				
78	74176-G01		PARKING BRAKE CABLE.....	1
79	01111-G01		RETAINING RING, 13/32" (STAINLESS STEEL).....	2
80				
81	70735-G01		PARKING BRAKE RELEASE CABLE	1
82	01110-G01		WASHER, 1/4" (STAINLESS STEEL)	1
83	10387-G8		COTTER PIN, 1/16" X 3/4" LG	1
84				
85	70734-G01		PARKING BRAKE COVER.....	1
86	71892-G01		RETAINER PLATE	2
87	16816-G2		RATCHET FASTENER.....	2
88				
89	71864-G01		UPPER CABLE MOUNT	1
90	00414-G6		BOLT, 1/4 - 20 X 3/4" LG	2

BRAKES - HYDRAULIC

THE USE OF NON U.L. PARTS WILL VOID ANY U.L. LISTING.

When ordering parts, please specify the model and serial number of the product.

* Indicates a component that is not available as an individual part.

G** Indicates consult Customer Service Department for additional information.

ITEM	PART NO.	1 2 3 4 5	DESCRIPTION	QTY.
91	01110-G01		WASHER, 1/4" (STAINLESS STEEL)	2
92	00654-G2		LOCK NUT, 1/4 - 20 (STAINLESS STEEL)	2
93				
94	71865-G01		LOWER CABLE MOUNT	1
95	00414-G6		BOLT, 1/4 - 20 X 3/4" LG	2
96	01110-G01		WASHER, 1/4" (STAINLESS STEEL)	2
97	00654-G2		LOCK NUT, 1/4 - 20 (STAINLESS STEEL)	2
98				
99	10386-G3		CLEVIS PIN, 5/16" X 13/16" LG	1
100	17838-G1		NYLON BUSHING.....	1
101	00559-G8		WASHER, 5/16"	3
102	10387-G3		COTTER PIN, 3/32" X 3/4" LG	1
103				
104	70766-G01		PARKING BRAKE ASSEMBLY (INCLUDES ITEMS 105 - 117).....	1
105	70545-G01		PARKING BRAKE RELEASE PIN	1
106	00654-G2		LOCK NUT, 1/4 - 20 (STAINLESS STEEL).....	1
107	71974-G01		BRAKE RELEASE COIL SPRING	1
108	00544-G1		JAM NUT, 5/16 - 18.....	2
109	71975-G01		PARKING BRAKE (INCLUDES ITEMS 110 - 117).....	1
110	70767-G01		RELEASE ARM.....	1
111	70653-G01		SPRING.....	1
112	70768-G01		PAWL.....	1
113	70770-G01		SPACER	1
114	70769-G01		CLEVIS PIN, 5/16" X 1 3/8" LG	1
115	70659-G01		CLEVIS PIN, 5/16" X 5/8" LG	2
116	70660-G01		RUBBER PEDAL COVER.....	1
117	70661-G01		SLOTTED CLEVIS	1
118	14269-G1		RIVET, 3/16" X 1/2" LG	1
119	70729-G01		PARKING BRAKE PEDAL SHIELD.....	1
120	70730-G01		COVER ATTACHMENT.....	1

BRAKES - HYDRAULIC

THE USE OF NON U.L. PARTS WILL VOID ANY U.L. LISTING.

When ordering parts, please specify the model and serial number of the product.

* Indicates a component that is not available as an individual part.

G** Indicates consult Customer Service Department for additional information.

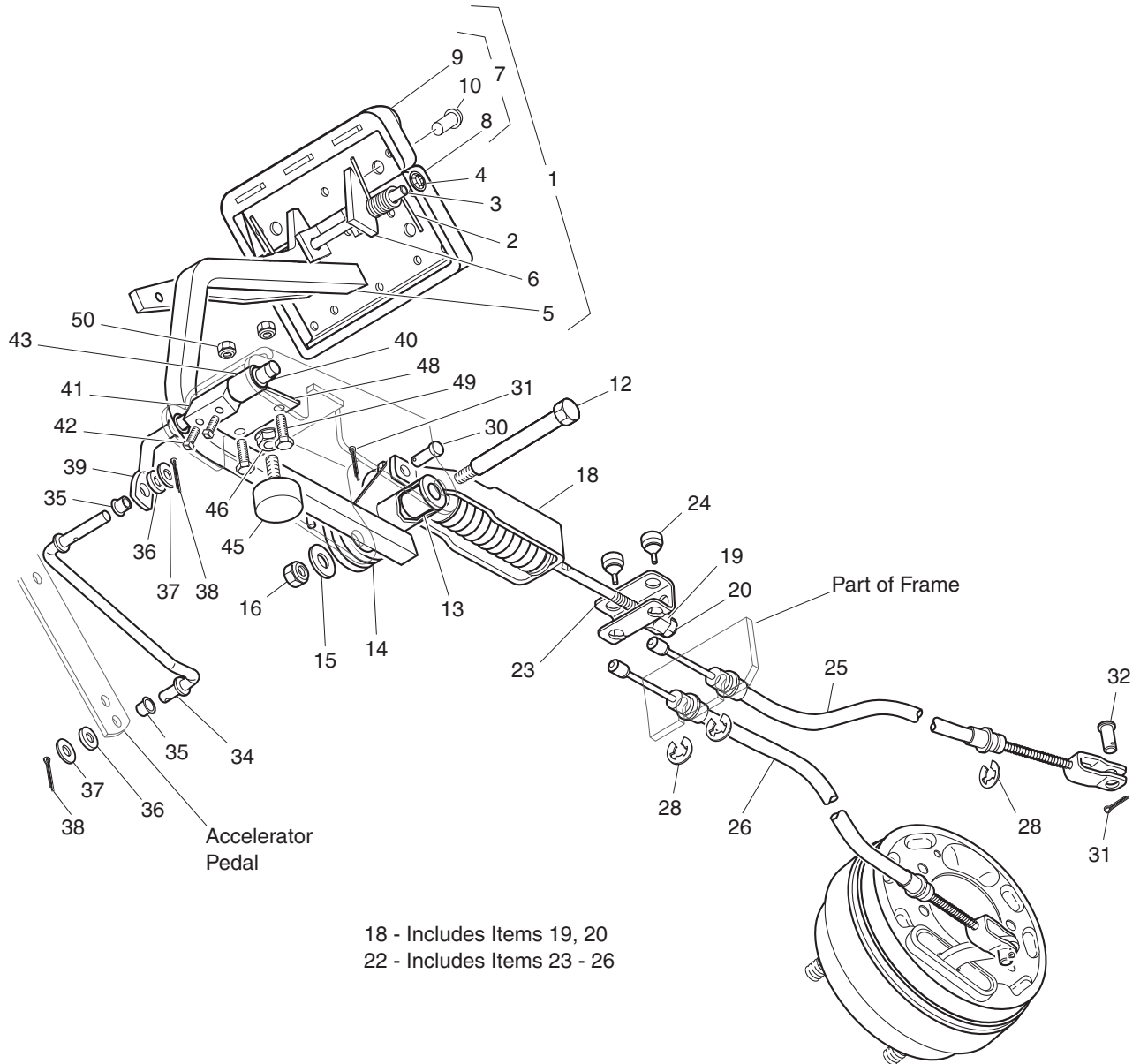
ITEM	PART NO.	1 2 3 4 5	DESCRIPTION	QTY.
121	33725-G02		BRAKE ASSEMBLY (DRIVER SIDE) (INCLUDES ITEMS 123 - 141)	1
122	33725-G01		BRAKE ASSEMBLY (PASSENGER SIDE) (INCLUDES ITEMS 123 - 141)	1
123	21086-G1		TORQUE SPIDER	1
124	70771-G01		WHEEL CYLINDER REPAIR KIT (INCLUDES ITEMS 125 - 127)	1
125	21087-G1		WHEEL CYLINDER PISTON	2
126	21088-G1		HYDRAULIC CUP	2
127	21089-G1		SEAL	2
128	21094-G1		BLEEDER VALVE	1
129	21095-G1		LOWER SPRING	1
130	21096-G1		SHOE HOLD DOWN	2
131	21097-G1		ADJUSTER	1
132	21908-G1		DUST SHIELD	1
133	70670-G01		SPRING (YELLOW).....	1
134	70669-G01		SPRING (BLUE)	1
135	33726-G01		BRAKE SHOE.....	2
136	*		PARKING BRAKE LEVER ASSEMBLY (INCLUDES ITEMS 137 - 141)	1
137	13460-G1		CURVED LEVER.....	1
138	13463-G1		SPRING WASHER	1
139	13462-G1		CLEVIS PIN.....	1
140	13464-G1		CLEVIS PIN RETAINER.....	1
141	22604-G1		STRAIGHT LEVER	2
142				
143	13468-G1		CLIP	4
144	34287-G01		COLLAR	2
145	33662-G01		STUD, 5/16 - 24 X 1 5/8" LG	8
146	21562-G1		NUT, 5/16 - 24	8
147	33661-G01		FLANGE	2
148	17953-G2		BRAKE DRUM	2
149				
150				

BRAKES - HYDRAULIC

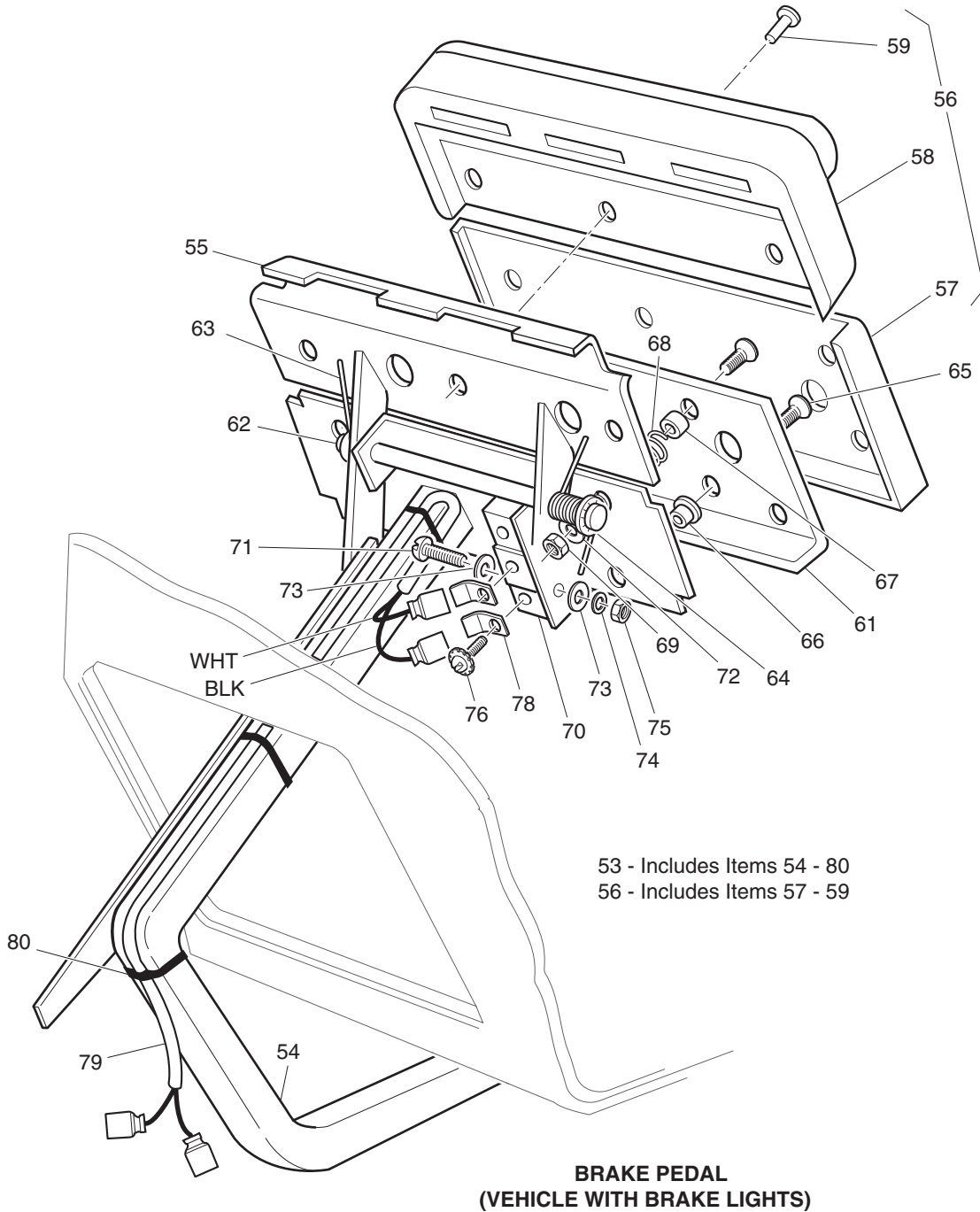
THE USE OF NON U.L. PARTS WILL VOID ANY U.L. LISTING.
 When ordering parts, please specify the model and serial number of the product.
 * Indicates a component that is not available as an individual part.
 G** Indicates consult Customer Service Department for additional information.

ITEM	PART NO.	1 2 3 4 5	DESCRIPTION	QTY.
151				
152	21559-G1		WIPER SEAL	2
153	14590-G1		WHEEL BOLT, 1/2 - 20.....	10
154	33665-G01		WASHER, 3/4"	2
155	00566-G6		LOCK WASHER, 3/4".....	2
156	00518-G8		SLOTTED NUT, 3/4 - 16.....	2
157	10387-G1		COTTER PIN, 1/8" X 1 1/2" LG.....	2
158				
159	70886-G01		BRAKE PEDAL (INCLUDES ITEMS 160 - 162).....	1
160	70883-G01		PEDAL	1
161	70257-G01		BRAKE PEDAL PAD.....	1
162	16409-G1		OVAL RIVET, 1/8" X 15/32" LG.....	6

BRAKES - MECHANICAL

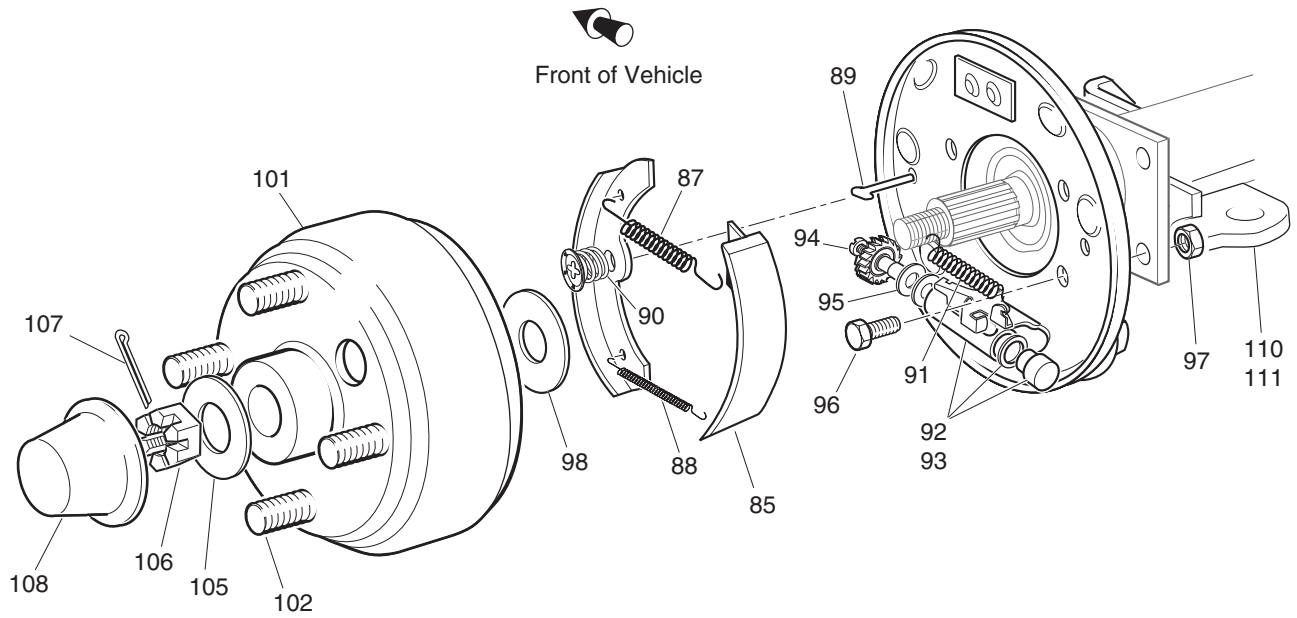


Ref Brm 8-1



Ref Brm 8-2

BRAKES - MECHANICAL



- 82 - Includes Items 84 - 92, 94, 95
- 83 - Includes Items 84 - 91, 93 - 95
- 84 - Includes Items 85
- 86 - Includes Items 87 - 91
- 92 - Includes Items 94, 95
- 93 - Includes Items 94, 95
- 100 - Includes Items 101, 102

Ref Brm 8-3

BRAKES - MECHANICAL

THE USE OF NON U.L. PARTS WILL VOID ANY U.L. LISTING.

When ordering parts, please specify the model and serial number of the product.

* Indicates a component that is not available as an individual part.

G** Indicates consult Customer Service Department for additional information.

ITEM	PART NO.	1 2 3 4 5	DESCRIPTION	QTY.
1	70612-G01		BRAKE PEDAL ASSEMBLY (WITHOUT BRAKE LIGHTS) (INCLUDES ITEMS 2 - 10).....	1
2	70681-G01		TORSION SPRING.....	2
3	70682-G01		PIVOT PIN.....	1
4	01071-G01		PUSHNUT, 5/16".....	2
5	*		BRAKE PEDAL.....	1
6	70611-G01		PARK BRAKE PEDAL.....	1
7	70274-G01		BRAKE/PARK BRAKE PEDAL PAD KIT (INCLUDES ITEMS 8 - 10).....	1
8	*		SERVICE BRAKE PAD.....	1
9	*		PARK BRAKE PEDAL PAD.....	1
10	15766-G1		OVAL RIVET, 3/16" X 7/16" LG.....	9
11				
12	70582-G01		SHOULDER BOLT, 3/8 - 16 X 4" LG (STAINLESS STEEL).....	1
13	70581-G01		FLANGED BUSHING.....	2
14	70676-G01		TORSION SPRING.....	1
15	00643-G1		WASHER, 3/8".....	1
16	11098-G5		LOCK NUT, 3/8 - 16.....	1
17				
18	70272-G04		COMPENSATOR ASSEMBLY (INCLUDES ITEMS 19, 20).....	1
19	00963-G01		SPHERICAL NUT, 5/16 - 24.....	1
20	11098-G9		LOCK NUT, 5/16 - 24.....	1
21				
22	70969-G06		EQUALIZER AND BRAKE CABLE ASSEMBLY (INCLUDES ITEMS 23-26).....	1
23	28082-G01		EQUALIZER BRACKET.....	1
24	28083-G01		BRAKE COMPENSATOR BUMPER.....	2
25	*		BRAKE CABLE (DRIVER SIDE).....	1
26	*		BRAKE CABLE (PASSENGER SIDE).....	1
27				
28	01111-G01		RETAINING RING, 13/32" (STAINLESS STEEL).....	4
29				

BRAKES - MECHANICAL

THE USE OF NON U.L. PARTS WILL VOID ANY U.L. LISTING.

When ordering parts, please specify the model and serial number of the product.

* Indicates a component that is not available as an individual part.

G** Indicates consult Customer Service Department for additional information.

ITEM	PART NO.	1 2 3 4 5	DESCRIPTION	QTY.
30	10386-G3		CLEVIS PIN, 5/16" X 13/16" LG	1
31	10387-G3		COTTER PIN, 3/32" X 3/4" LG	3
32	14443-G2		CLEVIS PIN, 5/16" X 5/8" LG	2
33				
34	70601-G01		KICK-OFF LINK.....	1
35	17838-G1		NYLON BUSHING.....	2
36	20835-G1		TEFLON WASHER, 3/8"	2
37	00559-G8		WASHER, 5/16"	2
38	10387-G3		COTTER PIN, 3/32" X 3/4" LG	2
39	70098-G01		KICK-OFF CAM PIVOT	1
40	10097-G6		FLANGED BEARING	2
41	70587-G01		KICK-OFF CAM.....	1
42	71215-G01		SETSCREW, 1/4 - 20 X 1/2" LG.....	2
43	14134-G4		SPACER	1
44				
45	70113-G01		ADJUSTABLE BUMPER	1
46	11027-G1		LOCK NUT, 5/16 - 18	1
47				
48	70080-G01		CATCH BRACKET	1
49	00414-G6		BOLT, 1/4 - 20 X 3/4" LG	2
50	00654-G2		LOCK NUT, 1/4 - 20 (STAINLESS STEEL)	2
51				
52				
53	70690-G01		BRAKE PEDAL ASSEMBLY (WITH BRAKE LIGHTS) (INCLUDES ITEMS 54 - 80).....	1
54	*		BRAKE PEDAL	1
55	70611-G01		PARK BRAKE PEDAL	1
56	70274-G01		BRAKE/PARK BRAKE PEDAL PAD KIT (INCLUDES ITEMS 57 - 59).....	1
57	*		SERVICE BRAKE PAD	1
58	*		PARK BRAKE PAD.....	1

BRAKES - MECHANICAL

THE USE OF NON U.L. PARTS WILL VOID ANY U.L. LISTING.

When ordering parts, please specify the model and serial number of the product.

* Indicates a component that is not available as an individual part.

G** Indicates consult Customer Service Department for additional information.

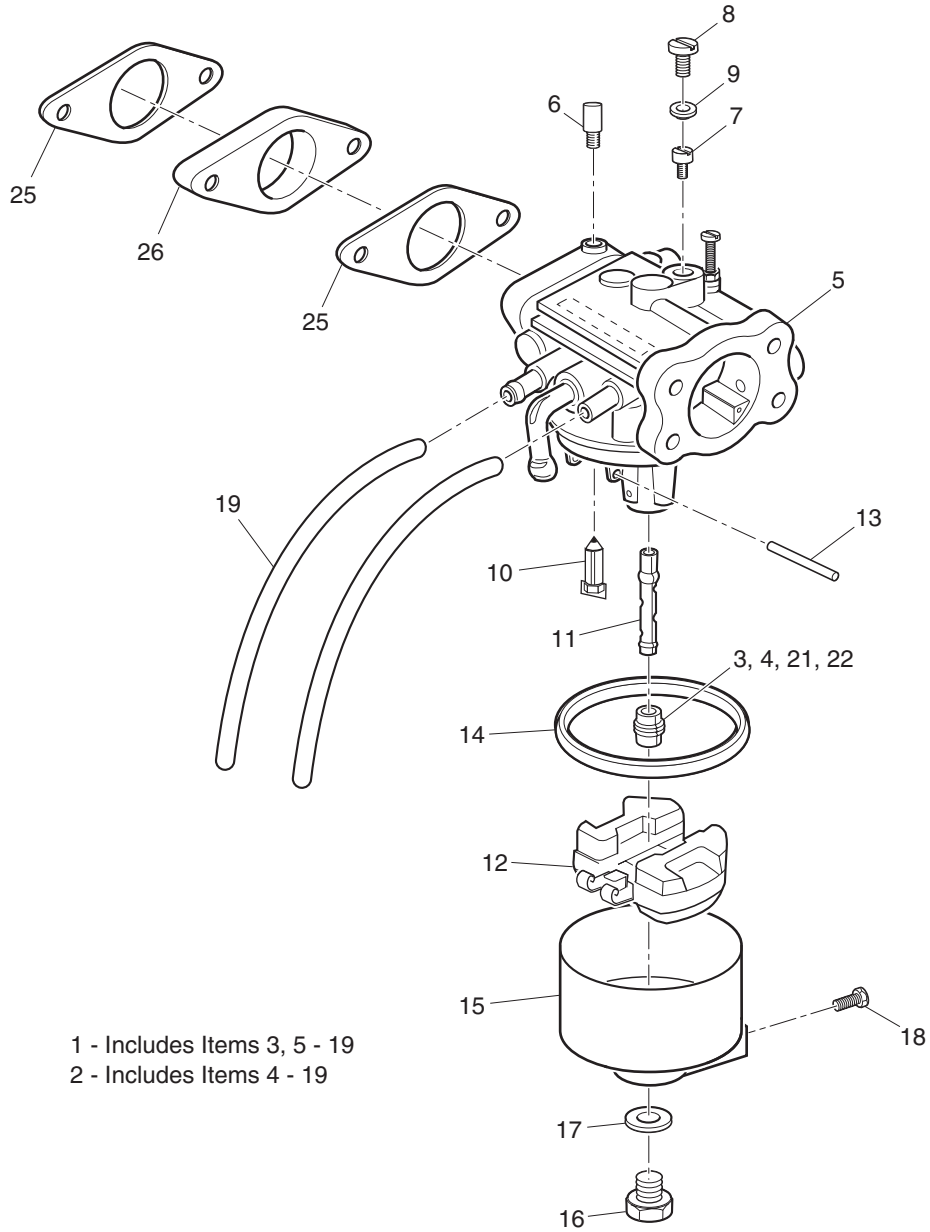
ITEM	PART NO.	1	2	3	4	5	DESCRIPTION	QTY.
59	15766-G1						OVAL RIVET, 3/16" x 7/16" LG	9
60								
61	70258-G02						BRAKE PEDAL PLATE	1
62	70682-G01						PIVOT PIN	1
63	70681-G01						TORSION SPRING	2
64	01071-G01						PUSHNUT, 5/16"	1
65	00737-G8						SCREW, #10 - 24 X 7/8" LG	4
66	00739-G1						RUBBER NUT, #10 - 24	2
67	22362-G3						BRAKE PEDAL STANDOFF	2
68	27137-G01						CONICAL SPRING	2
69	11098-G7						LOCK NUT, #10 - 24	2
70	10606-G8						MICRO SWITCH	1
71	00957-G1						BOLT, #6 - 32 X 1 1/4" LG	2
72	00559-G5						WASHER, #10	2
73	00559-G3						WASHER, #6	4
74	00565-G3						LOCK WASHER, #6	2
75	00525-G5						NUT, #6 - 32	2
76	13514-G1						SCREW AND LOCK WASHER, #6	2
77								
78	14628-G1						FASTON TAB	2
79	24605-G1						WIRE HARNESS (BRAKE LIGHT)	1
80	17618-G1						WIRE TIE	3
81								
82	70793-G01						BRAKE ASSEMBLY (DRIVER SIDE) (INCLUDES ITEMS 84 - 92, 94, 95)	1
83	70793-G02						BRAKE ASSEMBLY (PASSENGER SIDE) (INCLUDES ITEMS 84 - 91, 93 - 95)	1
84	70794-G01						BRAKE SHOE KIT (INCLUDES ITEM 85)	2
85	*						BRAKE SHOE	2
86	27944-G01						BRAKE SPRING KIT (INCLUDES ITEMS 87 - 91)	2
87	*						UPPER SPRING	1

BRAKES - MECHANICAL

THE USE OF NON U.L. PARTS WILL VOID ANY U.L. LISTING.
 When ordering parts, please specify the model and serial number of the product.
 * Indicates a component that is not available as an individual part.
 G** Indicates consult Customer Service Department for additional information.

ITEM	PART NO.	1	2	3	4	5	DESCRIPTION	QTY.
88	*						LOWER SPRING	1
89	*						PIN	2
90	*						CUP AND SPRING	2
91	*						ADJUSTER SPRING.....	1
92	72582-G01						BRAKE ADJUSTER KIT (DRIVER SIDE) (INCLUDES ITEMS 94, 95)	1
93	72582-G02						BRAKE ADJUSTER KIT (PASSENGER SIDE) (INCL. ITEMS 94, 95).....	1
94	*						ADJUSTER	1
95	*						TEFLON WASHER.....	2
96	17083-G2						BOLT, 5/16 - 24 X 1" LG	8
97	15126-G1						LOCK NUT, 5/16 - 24	8
98	21809-G1						INNER BRAKE DRUM WASHER, 1 5/16" OD X 1" ID X 1/32"	2
99								
100	21807-G1						BRAKE DRUM ASSEMBLY (INCLUDES ITEMS 101 - 102).....	2
101	*						BRAKE DRUM.....	1
102	19862-G1						LUG BOLT, 1/2 - 20 X 1 3/16" LG	4
103								
104								
105	21830-G1						OUTER BRAKE DRUM WASHER	2
106	00518-G8						SLOTTED NUT, 3/4 - 16.....	2
107	10387-G1						COTTER PIN, 1/8" X 1 1/2" LG	2
108	74175-G01						SPINDLE CAP.....	2
109								
110	72036-G01						BRAKE CABLE BRACKET (PASSENGER SIDE).....	1
111	72036-G02						BRAKE CABLE BRACKET (DRIVER SIDE)	1

CARBURETOR



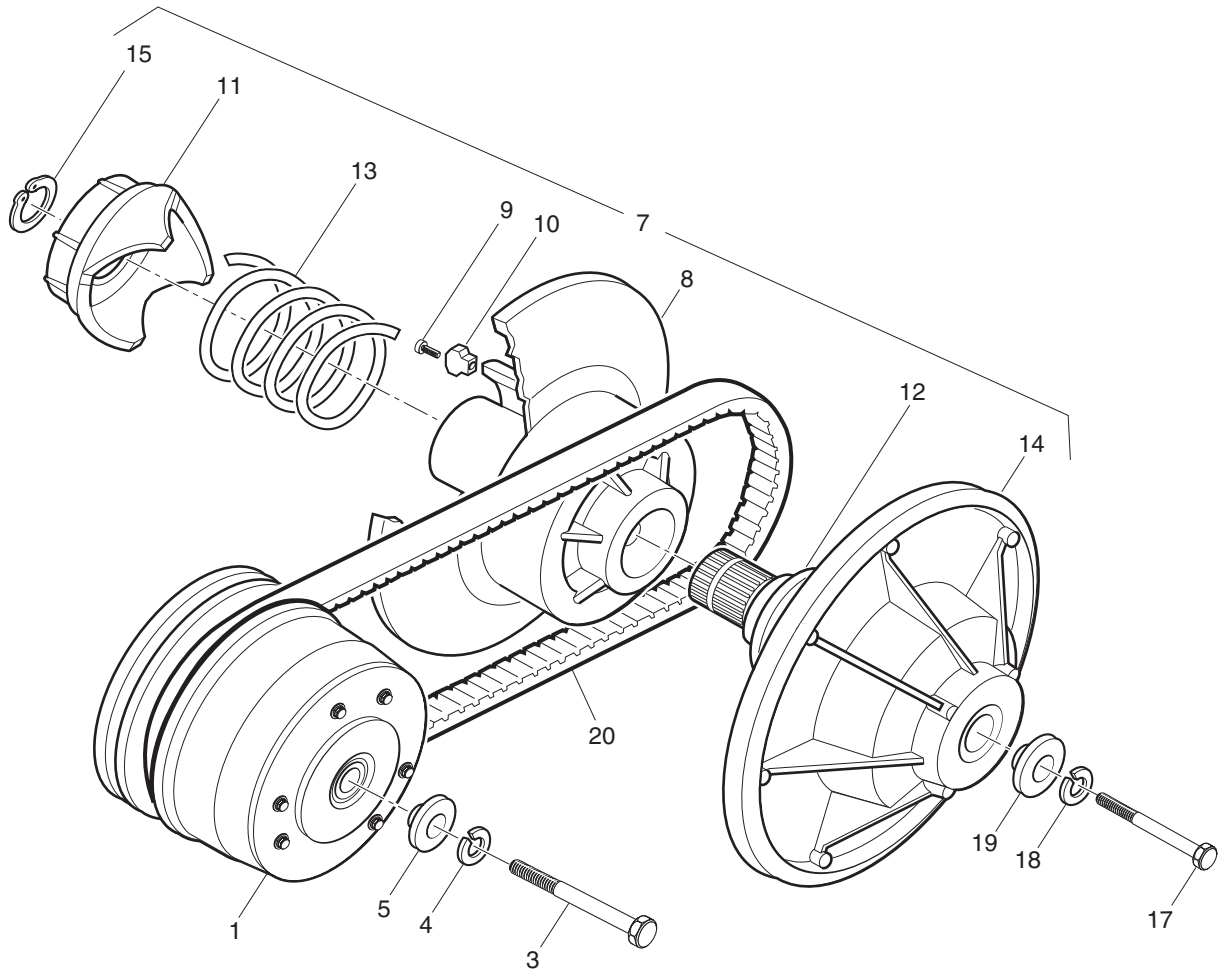
Ref Cac 8

CARBURETOR

THE USE OF NON U.L. PARTS WILL VOID ANY U.L. LISTING.
 When ordering parts, please specify the model and serial number of the product.
 * Indicates a component that is not available as an individual part.
 G** Indicates consult Customer Service Department for additional information.

ITEM	PART NO.	1 2 3 4 5	DESCRIPTION	QTY.
1	72558-G01		CARBURETOR ASSEMBLY (FOR FUJI ENGINE PN: EH35CPG5032) (INCLUDES ITEMS 3, 5 - 19).....	1
2	72558-G05		CARBURETOR ASSEMBLY (FOR FUJI ENGINE PN: EH35CPG5033) (INCLUDES ITEMS 4 - 19).....	1
3	26646-G09		MAIN JET (#92)	1
4	26646-G07		MAIN JET (#90)	1
5	*		CARBURETOR BODY.....	1
6	*		PILOT SCREW	1
7	26649-G05		PILOT JET (#46).....	1
8	26841-G01		PLUG	1
9	72306-G01		GASKET	1
10	72578-G01		NEEDLE VALVE	1
11	*		MAIN NOZZLE	1
12	26648-G01		FLOAT.....	1
13	26840-G01		FLOAT PIN.....	1
14	26843-G01		FLOAT BOWL GASKET	1
15	26844-G01		FLOAT CHAMBER.....	1
16	26839-G01		BOWL SCREW	1
17	26838-G01		BOWL GASKET	1
18	*		DRAIN SCREW	1
19	26650-G01		VENT TUBE.....	2
20				
21	26646-G01		MAIN JET (#88) (FOR ELEVATIONS OF 3000 FT - 6000 FT).....	1
22	26646-G08		MAIN JET (#86) (FOR ELEVATIONS OF 6000 FT - 10000 FT).....	1
23				
24				
25	26726-G01		CARBURETOR MOUNT GASKET.....	2
26	72311-G01		CARBURETOR INSULATOR	1

CLUTCH



Ref Clt 8

CLUTCH

THE USE OF NON U.L. PARTS WILL VOID ANY U.L. LISTING.

When ordering parts, please specify the model and serial number of the product.

* Indicates a component that is not available as an individual part.

G** Indicates consult Customer Service Department for additional information.

ITEM	PART NO.	1 2 3 4 5	DESCRIPTION	QTY.
1	26952-G01		DRIVE CLUTCH	1
2				
3	00473-G9		BOLT, 7/16 - 20 X 6 1/2" LG	1
4	00566-G2		LOCK WASHER, 7/16"	1
5	25757-G1		PILOT WASHER	1
6				
7	26301-G**		DRIVEN CLUTCH ASSEMBLY (INCLUDES ITEMS 8 - 15)	1
8	*		MOVABLE SHEAVE (INCLUDES ITEMS 9 -10)	1
9	00979-G01		SCREW, #10 - 24 X 7/8" LG	3
10	26479-G01		RAMP BUTTON	3
11	*		CAM	1
12	24600-G1		SPACER, 1 1/2"	1
13	26304-G01		COMPRESSION SPRING	1
14	*		SHEAVE AND POST	1
15	27270-G01		HEAVY DUTY RETAINING RING	1
16				
17	00441-G8		BOLT, 5/16 - 18 X 4" LG	1
18	00565-G8		LOCK WASHER, 5/16"	4
19	25756-G1		RETAINING WASHER	1
20	72054-G01		DRIVE BELT	1

DIRECTION SELECTOR - SEAT CONSOLE

THE USE OF NON U.L. PARTS WILL VOID ANY U.L. LISTING.

When ordering parts, please specify the model and serial number of the product.

* Indicates a component that is not available as an individual part.

G** Indicates consult Customer Service Department for additional information.

ITEM	PART NO.	1	2	3	4	5	DESCRIPTION	QTY.
1	70840-G01						DIRECTION SELECTOR ASSEMBLY (INCLUDES ITEMS 2 - 28)	1
2	70839-G01						DIRECTION SELECTOR BRACKET	1
3	25664-G1						BUSHING, DU.....	1
4	34170-G01						DIRECTION SELECTOR SHAFT	1
5	25745-G01						DIRECTION SELECTOR CAM.....	1
6	00532-G6						NUT, 3/8 - 24.....	1
7	00544-G6						JAM NUT, 3/8 - 24.....	1
8	70817-G01						SELECTOR ARM.....	1
9	22754-G3						BUSHING.....	1
10	14390-G1						LOCK NUT, 3/8 - 24	1
11								
12	72400-G02						SHIFTER CONTROL ASSEMBLY	2
13	23176-G1						CLEVIS PIN, 3/16" X 7/16" LG	2
14	10387-G8						COTTER PIN, 1/16" X 3/4" LG	2
15								
16	10606-G1						MICRO SWITCH.....	1
17	27151-G01						SWITCH SPACER	1
18	00645-G2						SCREW, #6 - 32 X 1 1/4" LG	2
19	00559-G3						WASHER, #6	2
20	00565-G3						LOCK WASHER, #6	2
21	00525-G5						NUT, #6 - 32.....	2
22								
23	13514-G1						SCREW AND WASHER ASSEMBLY	2
24	14628-G1						FASTON TAB.....	2
25	25978-G341						18 GA WIRE (RED 16 1/2")	1
26								
27	16705-G1						SCREW, 1/4 - 20 X 1" LG (STAINLESS STEEL).....	3
28	11027-G2						LOCK NUT, 1/4 - 20.....	3
29								
30	11845-G6						INSULATED CABLE CLAMP, 1"	1

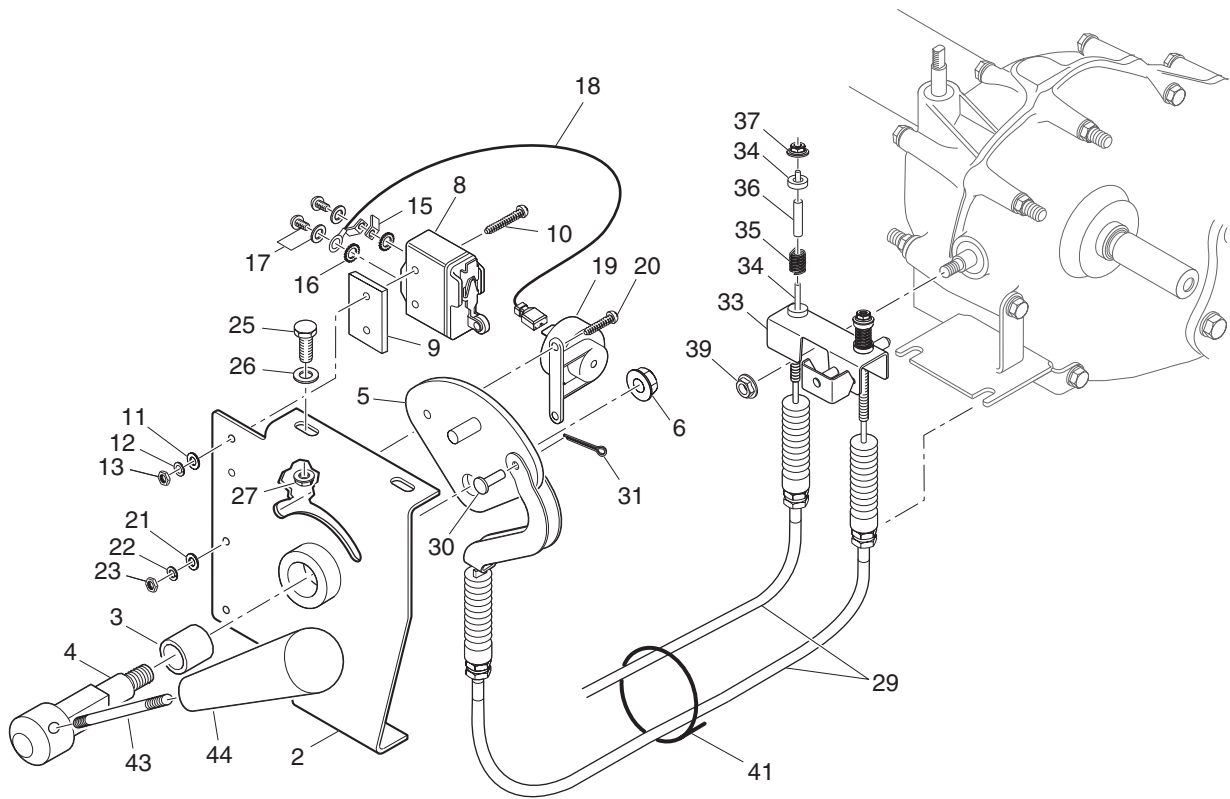
DIRECTION SELECTOR - SEAT CONSOLE

THE USE OF NON U.L. PARTS WILL VOID ANY U.L. LISTING.
 When ordering parts, please specify the model and serial number of the product.
 * Indicates a component that is not available as an individual part.
 G** Indicates consult Customer Service Department for additional information.

ITEM	PART NO.	1	2	3	4	5	DESCRIPTION	QTY.
31	01110-G01						WASHER, 1/4" (STAINLESS STEEL)	2
32	14390-G4						LOCK NUT, 1/4 - 20	3
33								
34	25664-G2						BUSHING	1
35	70824-G01						DIRECTION SELECTOR SHAFT.....	1
36	34168-G01						SELECTOR ARM	1
37	00560-G1						WASHER, 3/8"	2
38	70825-G01						SHIFT ARM	1
39	22754-G3						BUSHING	1
40	14390-G1						LOCK NUT, 3/8 - 24	1
41	11989-G1						DIRECTION SELECTOR KNOB	1
42								
43	70816-G01						SHIFT LINK	1
44	70815-G01						TRUNNION	1
45	00570-G2						WASHER, 5/16"	1
46	10387-G3						COTTER PIN, 3/32" X 3/4" LG	1
47								
48	73290-G02						BUZZER	1
49	00645-G4						SCREW, #6 - 32 X 1/2" LG.....	2
50	14390-G4						LOCK NUT, #6 - 32	2

DIRECTION SELECTOR - SEAT CONSOLE

DIRECTION SELECTOR - SEAT PANEL



1 - Includes Items 2 - 37

Ref Dsl 8

DIRECTION SELECTOR - SEAT PANEL

THE USE OF NON U.L. PARTS WILL VOID ANY U.L. LISTING.

When ordering parts, please specify the model and serial number of the product.

* Indicates a component that is not available as an individual part.

G** Indicates consult Customer Service Department for additional information.

ITEM	PART NO.	1	2	3	4	5	DESCRIPTION	QTY.
1	70594-G03						DIRECTION SELECTOR ASSEMBLY (INCLUDES ITEMS 2 - 27)	1
2	25684-G01						DIRECTION SELECTOR BRACKET	1
3	25664-G1						BUSHING.....	1
4	25677-G01						DIRECTION SELECTOR SHAFT	1
5	25745-G01						DIRECTION SELECTOR CAM.....	1
6	14390-G1						LOCK NUT, 3/8 - 24	1
7								
8	10606-G1						MICRO SWITCH.....	1
9	27151-G01						MICRO SWITCH SPACER	1
10	00645-G2						SCREW, #6 - 32 X 1 1/4" LG	2
11	00559-G3						WASHER, #6	2
12	00565-G3						LOCK WASHER, #6	2
13	00525-G5						NUT, #6 - 32.....	2
14								
15	14628-G1						FASTON TAB.....	2
16	00567-G3						LOCK WASHER, #6	2
17	13514-G1						SCREW AND WASHER ASSEMBLY	2
18	25978-G343						18 GA WIRE (RED)	1
19	73290-G01						REVERSE WARNING BUZZER	1
20	00138-G5						SCREW, #6 - 32 X 5/8" LG	2
21	00559-G3						WASHER, #6	2
22	00565-G3						LOCK WASHER, #6	2
23	00525-G5						NUT, #6 - 32.....	2
24								
25	00414-G6						BOLT, 1/4 - 20 X 3/4" LG.....	2
26	01110-G01						WASHER, 1/4" (STAINLESS STEEL).....	2
27	11027-G2						LOCK NUT, 1/4 - 20.....	2
28								
29	72400-G01						SHIFTER CONTROL CABLE.....	2
30	23176-G1						CLEVIS PIN, 3/16" X 7/16" LG	2

DIRECTION SELECTOR - SEAT PANEL

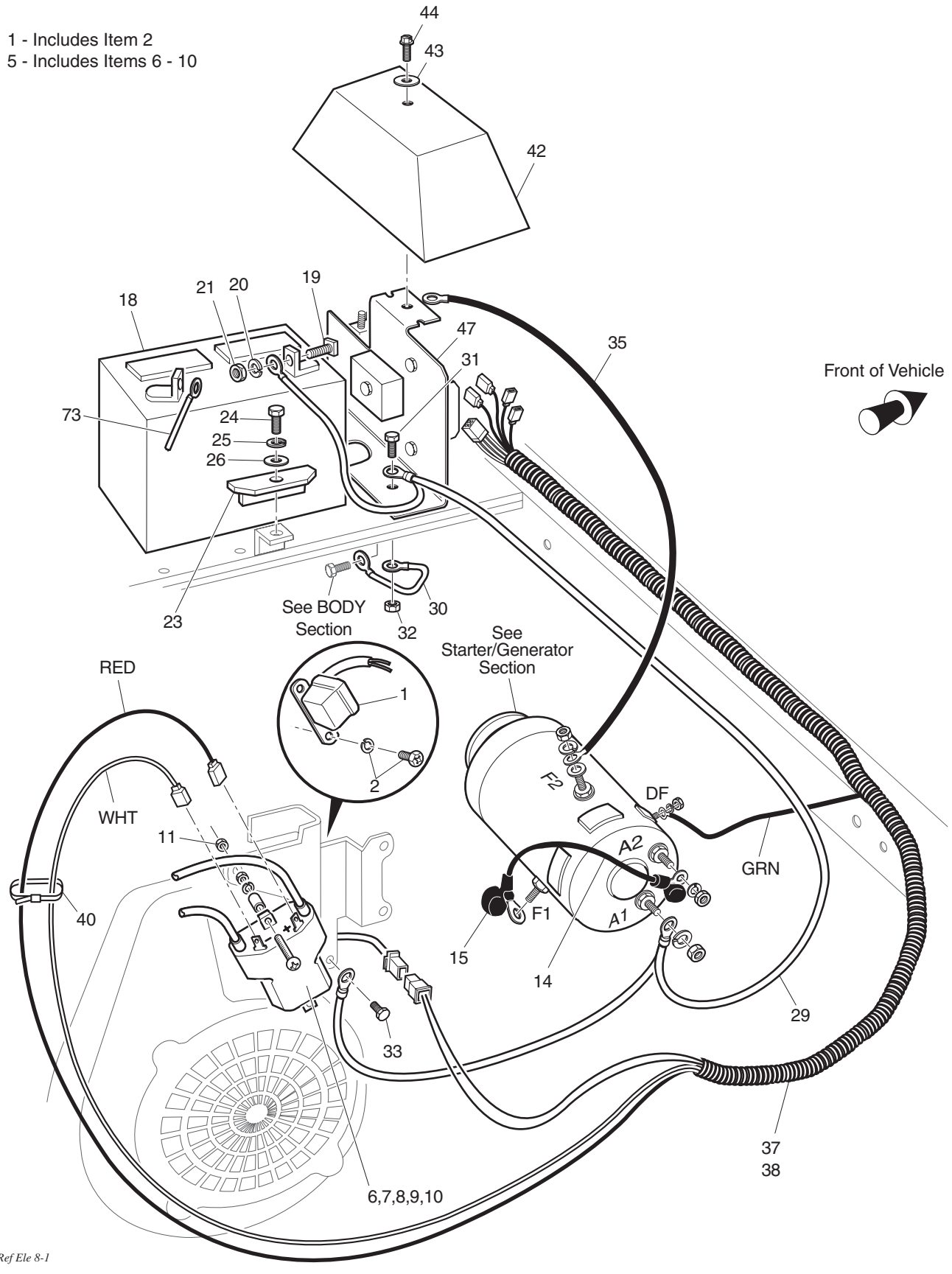
THE USE OF NON U.L. PARTS WILL VOID ANY U.L. LISTING.
 When ordering parts, please specify the model and serial number of the product.
 * Indicates a component that is not available as an individual part.
 G** Indicates consult Customer Service Department for additional information.

ITEM	PART NO.	1	2	3	4	5	DESCRIPTION	QTY.
31	10387-G8						COTTER PIN, 1/16" X 3/4" LG	2
32								
33	25946-G01						PIVOT ARM.....	1
34	25727-G01						CUP WASHER, 1/4"	4
35	27764-G01						SPRING.....	2
36	23726-G5						SPACER, 1 1/8"	2
37	11098-G7						NUT, #10 - 24	2
38								
39	26830-G01						NUT, M8 X 1.25 MM	1
40								
41	17618-G1						WIRE TIE	1
42								
43	25748-G01						DIRECTION SELECTOR ROD	1
44	11989-G1						DIRECTION SELECTOR KNOB	1

DIRECTION SELECTOR - SEAT PANEL

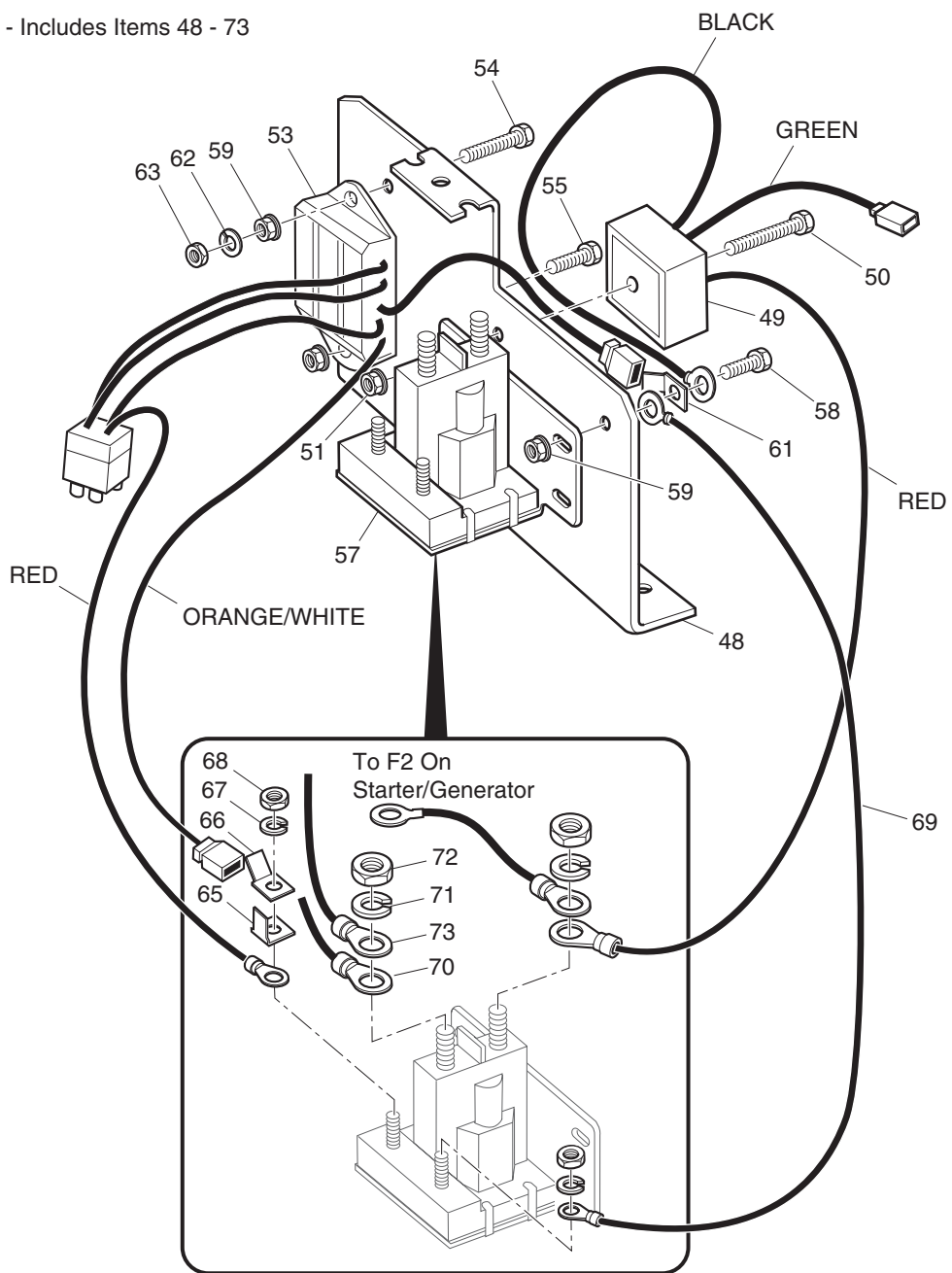
ELECTRICAL SYSTEM

1 - Includes Item 2
5 - Includes Items 6 - 10



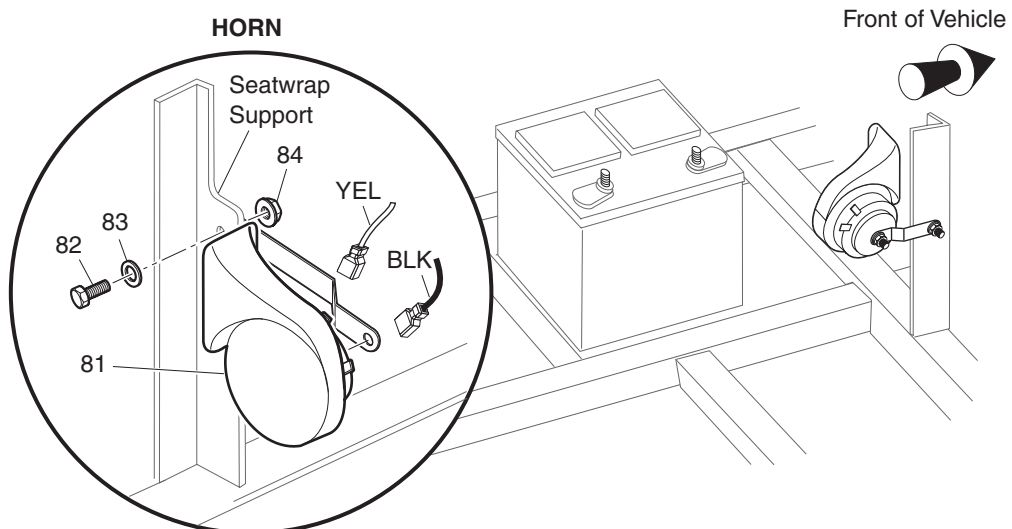
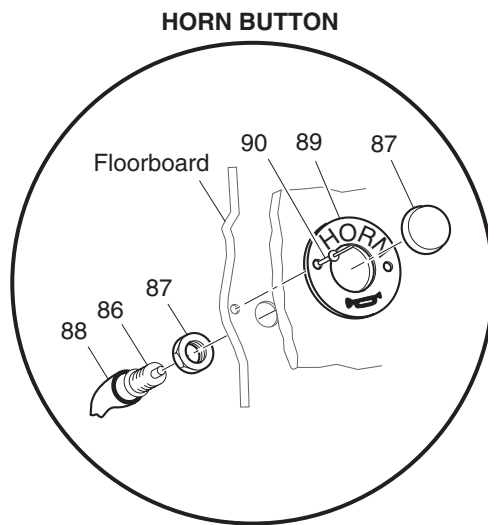
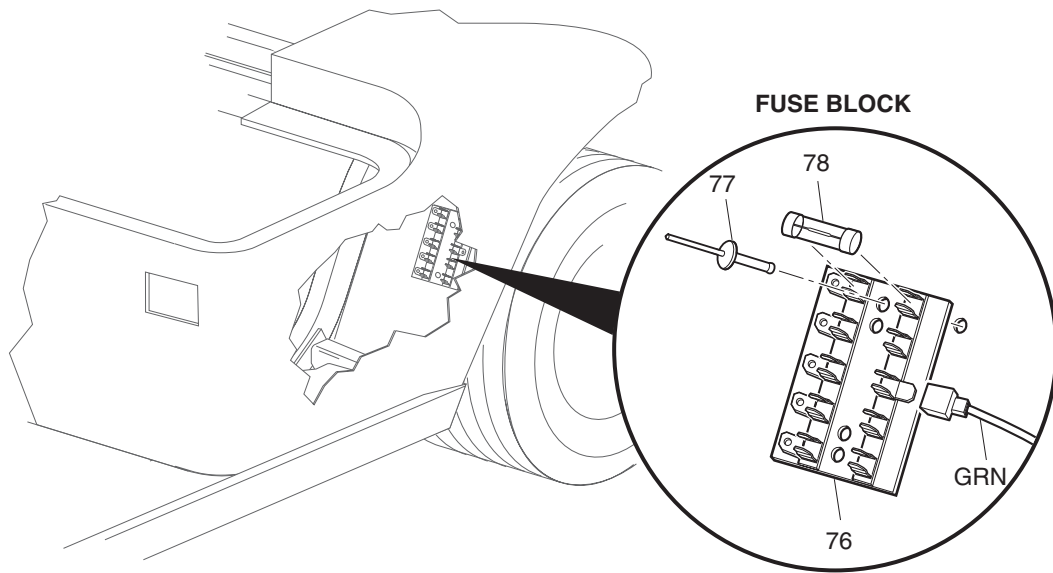
Ref Ele 8-1

47 - Includes Items 48 - 73

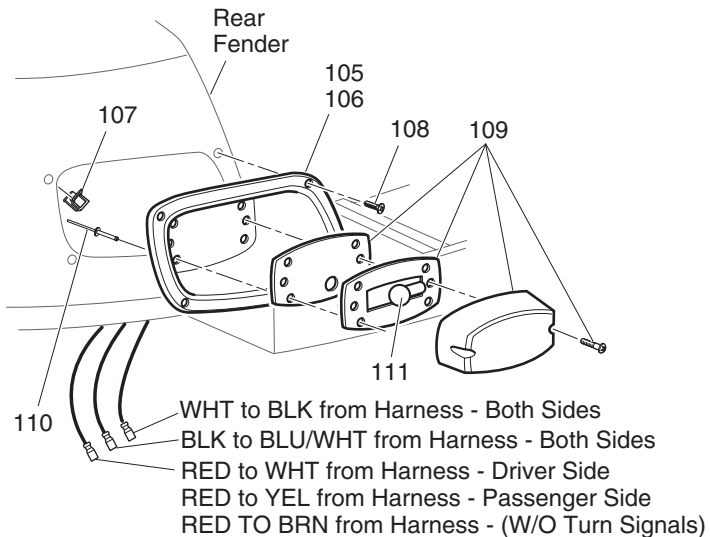
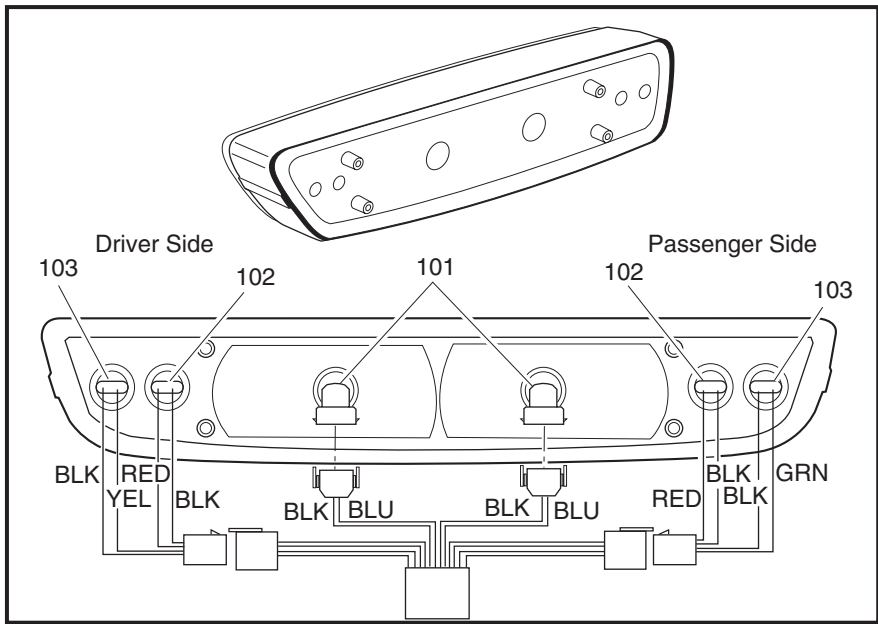
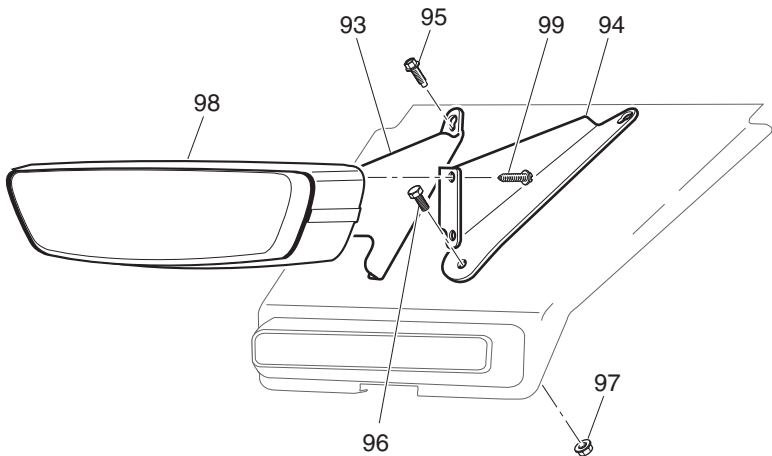


Ref Ele 8-2

ELECTRICAL SYSTEM



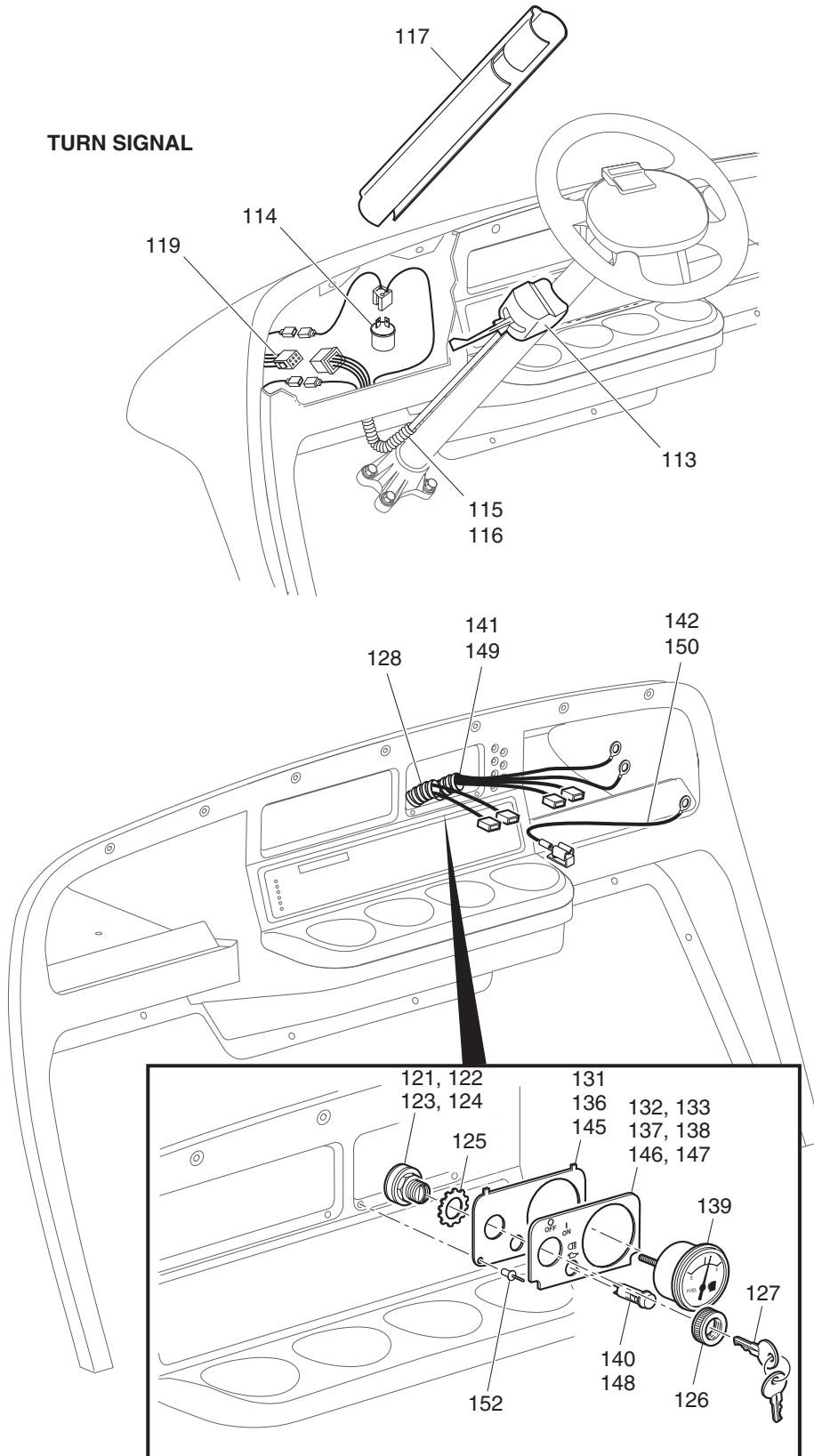
Ref Ele 8-3



Ref Ele 8-4

ELECTRICAL SYSTEM

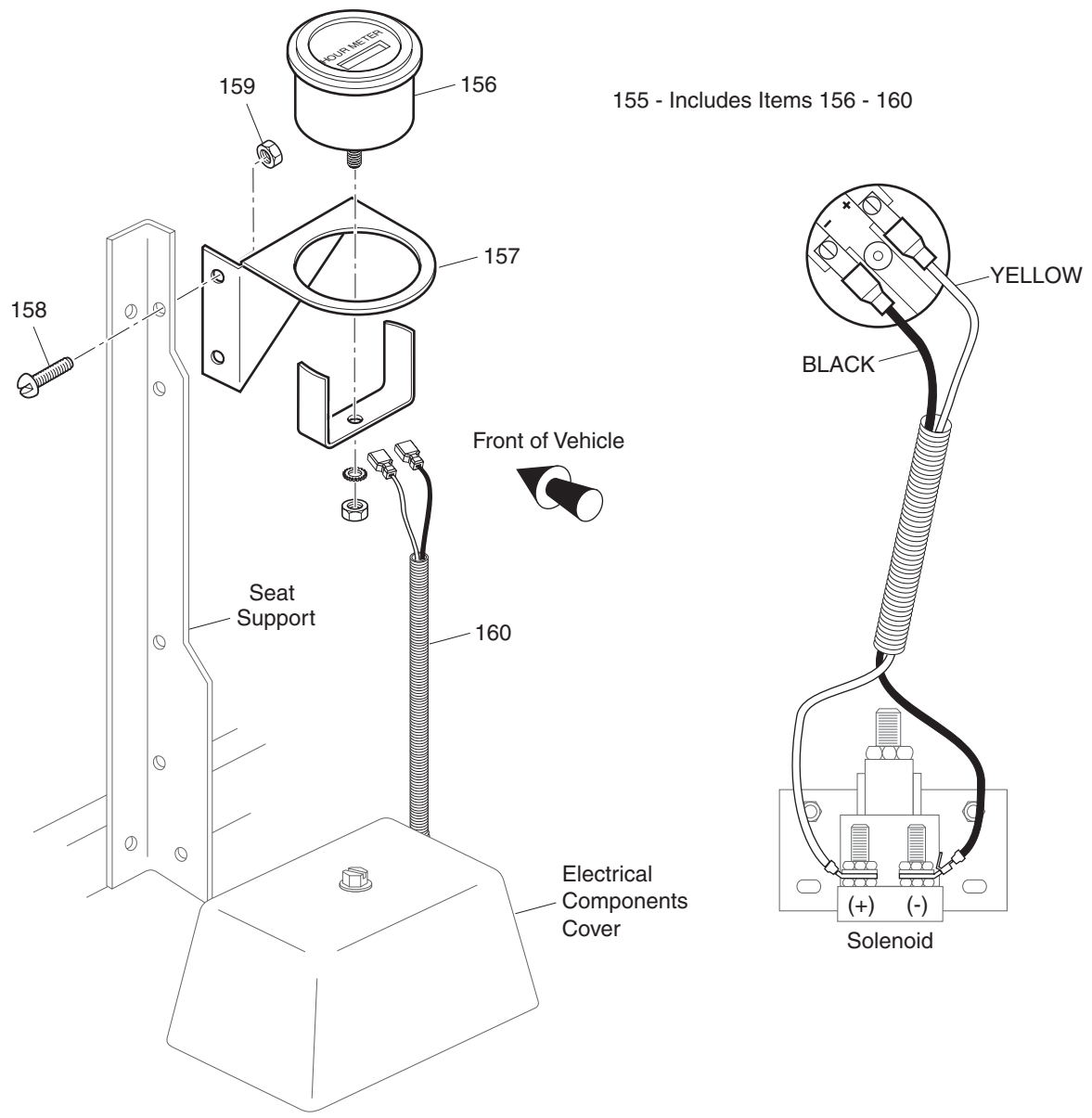
TURN SIGNAL



FUEL GAUGE, LOW OIL PRESSURE LIGHT, AND KEY SWITCH

Ref Ele 8-5

HOUR METER



Ref Ele 8-6

ELECTRICAL SYSTEM

THE USE OF NON U.L. PARTS WILL VOID ANY U.L. LISTING.
 When ordering parts, please specify the model and serial number of the product.
 * Indicates a component that is not available as an individual part.
 G** Indicates consult Customer Service Department for additional information.

ITEM	PART NO.	1	2	3	4	5	DESCRIPTION	QTY.
1	26651-G02						IGNITION PICKUP ASSEMBLY (INCLUDES ITEM 2).....	1
2	26707-G01						BOLT AND WASHER ASSEMBLY, M5 X .8 X 10 MM LG	1
3								
4								
5	26652-G01						IGNITION COIL ASSEMBLY (INCLUDES ITEMS 6 - 10)	1
6	*						IGNITION COIL.....	1
7	*						SPACER	1
8	*						LOCK WASHER	1
9	*						NUT.....	1
10	*						SCREW.....	1
11	13632-G1						NUT, M6 X 1	2
12								
13								
14	25887-G01						6 GA WIRE (BLACK 6", F1 - A2).....	1
15	25682-G1						TERMINAL COVER	3
16								
17								
18	24775-G*						BATTERY, 12V	1
19	00962-G1						BOLT, 5/16 - 18 X 1 1/4" LG	2
20	00993-G01						LOCK WASHER, 5/16" (SILICON BRONZE).....	2
21	00994-G01						NUT, 5/16 - 18 (SILICON BRONZE)	2
22								
23	72101-G01						BATTERY HOLD DOWN.....	1
24	00438-G6						BOLT, 5/16 - 18 X 3/4" LG	1
25	00565-G8						LOCK WASHER, 5/16".....	1
26	01110-G03						WASHER, 5/16" (STAINLESS STEEL)	1
27								
28								
29	27044-G03						GROUND CABLE.....	1
30	25976-G19						14 GA WIRE (BLACK 6")	1

ELECTRICAL SYSTEM

THE USE OF NON U.L. PARTS WILL VOID ANY U.L. LISTING.

When ordering parts, please specify the model and serial number of the product.

* Indicates a component that is not available as an individual part.

G** Indicates consult Customer Service Department for additional information.

ITEM	PART NO.	1	2	3	4	5	DESCRIPTION	QTY.
31	00438-G6						BOLT, 5/16 - 18 X 3/4" LG	2
32	11027-G1						LOCK NUT, 5/16 - 18	2
33	26676-G01						FLANGED BOLT, M6 X 1 X 23 MM LG	1
34								
35	25972-G85						6 GA WIRE (BLACK 23", F2 - SOL).....	1
36								
37	70595-G02						WIRE HARNESS (CONTROL) (SHUTTLE).....	1
38	70867-G01						WIRE HARNESS (CONTROL) (TG5)	1
39								
40	17618-G1						WIRE TIE	AR
41								
42	73049-G01						COVER.....	1
43	16469-G1						WASHER, 1/4"	1
44	00114-G6						SCREW, 1/4 - 14 X 3/4" LG.....	1
45								
46								
47	73059-G01						ELECTRICAL PLATE ASSEMBLY (INCLUDES ITEMS 48 - 73)	1
48	73057-G01						BRACKET	1
49	27739-G01						VOLTAGE REGULATOR	1
50	00415-G2						BOLT, 1/4 - 20 X 1 1/4" LG.....	1
51	11027-G2						LOCK NUT, 1/4 - 20	1
52								
53	27746-G01						IGNITOR	1
54	00661-G8						BOLT, 1/4 - 20 X 1" LG (STAINLESS STEEL)	1
55	00414-G5						BOLT, 1/4 - 20 X 5/8" LG.....	1
56								
57	27153-G01						SOLENOID	1
58	00414-G5						BOLT, 1/4 - 20 X 5/8" LG.....	1
59	11027-G2						LOCK NUT, 1/4 - 20	3
60								

ELECTRICAL SYSTEM

THE USE OF NON U.L. PARTS WILL VOID ANY U.L. LISTING.
 When ordering parts, please specify the model and serial number of the product.
 * Indicates a component that is not available as an individual part.
 G** Indicates consult Customer Service Department for additional information.

ITEM	PART NO.	1 2 3 4 5	DESCRIPTION	QTY.
61	12914-G2		FASTON TAB, 1/4" X 1/4"	1
62	00664-G7		LOCK WASHER, 1/4" (STAINLESS STEEL)	1
63	00532-G1		NUT, 1/4 - 20.....	1
64				
65	73446-G01		FASTON TAB, 90°	1
66	12914-G1		FASTON TAB, #10 X 1/4"	1
67	00565-G5		LOCK WASHER, #10	2
68	00526-G4		NUT, #10 - 32.....	2
69	25978-G56		18 GA WIRE (BLACK 5 3/4").....	1
70	22585-G3		IN-LINE FUSE HOLDER.....	1
71	00565-G8		LOCK WASHER, 5/16"	2
72	00544-G4		JAM NUT, 5/16 - 24.....	2
73	25972-G33		6 GA WIRE (BLACK 24", B+ - SOL)	1
74				
75				
76	22674-G1		FUSE BLOCK.....	1
77	01041-G01		RIVET, 1/8" X 13/16" LG	2
78	18392-G1		15 AMP FUSE	3
79				
80				
81	32860-G1		HORN.....	1
82	00414-G5		BOLT, 1/4 - 20 x 5/8" LG.....	1
83	01110-G01		WASHER, 1/4" (STAINLESS STEEL)	1
84	00654-G2		LOCK NUT, 1/4 - 20 (STAINLESS STEEL)	1
85				
86	17318-G1		HORN SWITCH.....	1
87	17318-G2		HORN SWITCH CAP AND NUT	1
88	27068-G01		HORN SWITCH BOOT	1
89	19233-G1		HORN SWITCH LABEL	1
90	71055-G01		RIVET, 3/8" X 1" LG (STAINLESS STEEL)	2

ELECTRICAL SYSTEM

THE USE OF NON U.L. PARTS WILL VOID ANY U.L. LISTING.
 When ordering parts, please specify the model and serial number of the product.
 * Indicates a component that is not available as an individual part.
 G** Indicates consult Customer Service Department for additional information.

ITEM	PART NO.	1	2	3	4	5	DESCRIPTION	QTY.
91								
92								
93	74236-G01						LIGHT BRACKET (PASSENGER SIDE)	1
94	74236-G02						LIGHT BRACKET (DRIVER SIDE)	1
95	01038-G01						BOLT, 1/4 - 20 X 11/16" LG	2
96	00414-G6						BOLT, 1/4 - 20 X 3/4" LG	2
97	11027-G2						LOCK NUT, 1/4 - 20	2
98	74001-G01						HEADLIGHT AND TURN SIGNAL LIGHT	1
99	00114-G6						SCREW, 1/4 - 14 X 3/4" LG	4
100								
101	74004-G01						HEADLIGHT BULB	AR
102	74005-G01						MARKER LIGHT BULB	AR
103	74006-G01						TURN SIGNAL BULB	AR
104								
105	74371-G01						BEZEL (DRIVER SIDE)	1
106	74371-G02						BEZEL (PASSENGER SIDE)	1
107	71364-G02						'J' CLIP	8
108	71425-G01						COUNTERSUNK SCREW, #8	8
109	22288-G2						TAILLIGHT ASSEMBLY	1
110	14601-G11						RIVET, 3/16" X 9/16" LG (ALUMINUM)	4
111	21759-G1						TAILLIGHT BULB	AR
112								
113	17867-G1						TURN SIGNAL (WITH MOUNTING HARDWARE) (INCLUDES ITEM 114)	1
114	21640-G1						TURN SIGNAL FLASHER	1
115	32307-G3						FLEX LOOM, 3/8 X 8" LG	1
116	17618-G1						WIRE TIE	2
117	20965-G3						STEERING COLUMN COVER	1
118								
119	72228-G01						WIRE HARNESS (ACCESSORY)	1
120								

ELECTRICAL SYSTEM

THE USE OF NON U.L. PARTS WILL VOID ANY U.L. LISTING.

When ordering parts, please specify the model and serial number of the product.

* Indicates a component that is not available as an individual part.

G** Indicates consult Customer Service Department for additional information.

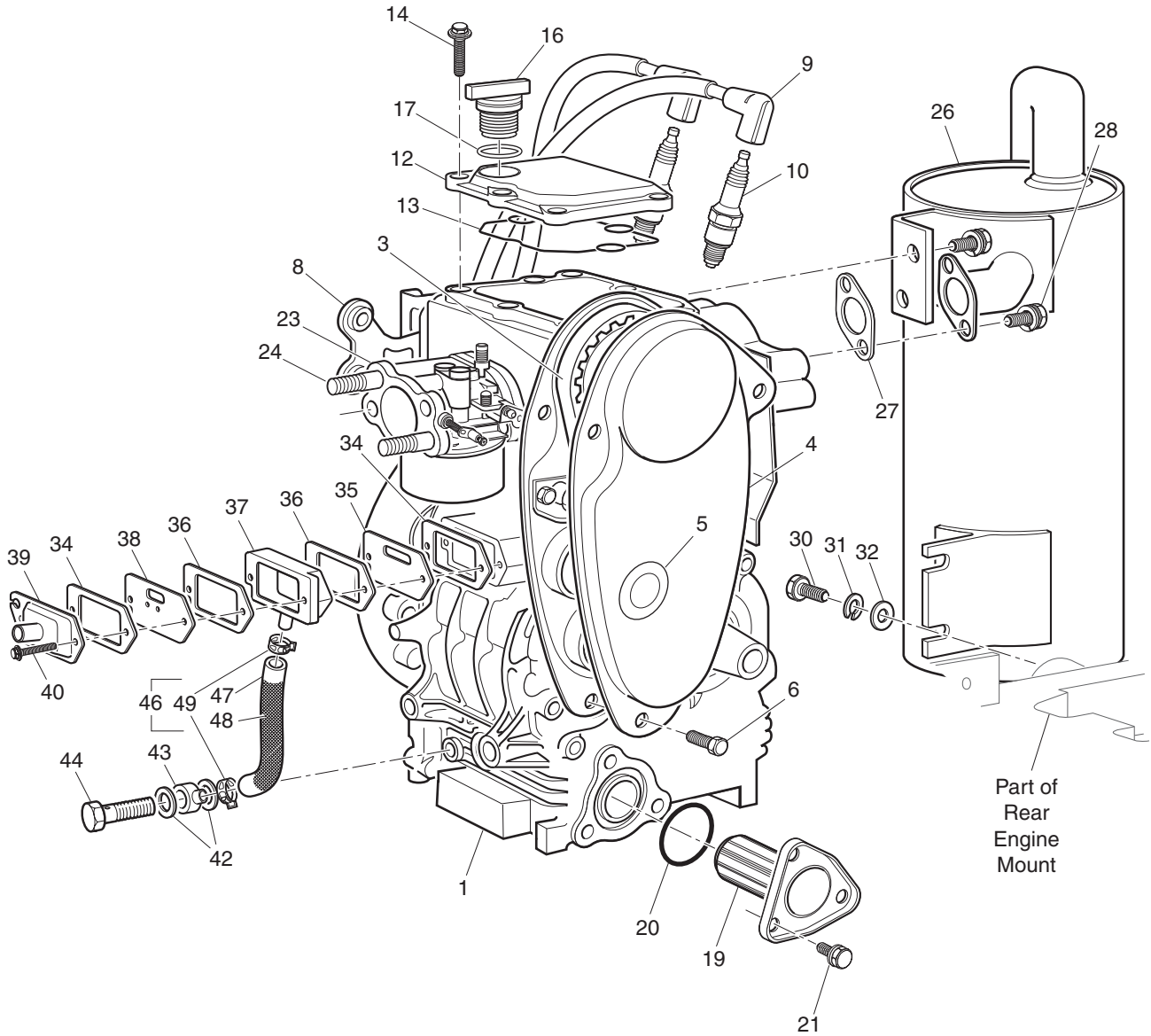
ITEM	PART NO.	1 2 3 4 5	DESCRIPTION	QTY.
121	17421-G1		IGNITION SWITCH KIT (W/O LIGHTS - STANDARD)	1
122	17955-G1		IGNITION SWITCH (WITHOUT LIGHTS - NON STANDARD)	1
123	18027-G1		IGNITION SWITCH (WITHOUT LIGHTS - INDIVIDUALLY KEYED)	1
124	33639-G**		IGNITION SWITCH (WITH LIGHTS).....	1
125	00568-G6		LOCK WASHER, 3/4".....	1
126	17137-G1		FACE NUT, 3/4 - 20.....	1
127	17063-G1		IGNITION KEY (SET).....	1
128	73041-G01		WIRE HARNESS (KEY SWITCH).....	1
129				
130				
131	73030-G01		PLATE (IGNITION SWITCH ONLY)	1
132	71145-G01		LABEL (IGNITION SWITCH ONLY) WITHOUT HEADLIGHTS	1
133	71181-G01		LABEL (IGNITION SWITCH ONLY) WITH HEADLIGHTS.....	1
134				
135				
136	73030-G04		PLATE (FUEL GAUGE AND OIL LIGHT).....	1
137	71127-G01		LABEL (OIL LIGHT AND FUEL GAUGE W/O HEADLIGHTS)	1
138	71131-G01		LABEL (OIL LIGHT AND FUEL GAUGE WITH HEADLIGHTS)	1
139	21553-G1		FUEL GAUGE	1
140	23474-G1		INDICATOR LIGHT	1
141	74311-G01		HARNESS (OIL LIGHT/FUEL GAUGE)	1
142	25978-G122		18 GA WIRE (RED 6" LG).....	1
143				
144				
145	73030-G03		PLATE (LOW FUEL AND OIL LIGHT INDICATOR)	1
146	71125-G01		LABEL (LOW FUEL AND LOW OIL W/O HEADLIGHTS).....	1
147	71183-G01		LABEL (OIL AND FUEL LIGHTS WITH HEADLIGHTS)	1
148	23474-G1		INDICATOR LIGHT	2
149	74309-G01		HARNESS (OIL LIGHT/FUEL LIGHT)	1
150	25978-G74		18 GA WIRE (RED 6" LG).....	1

ELECTRICAL SYSTEM

THE USE OF NON U.L. PARTS WILL VOID ANY U.L. LISTING.
 When ordering parts, please specify the model and serial number of the product.
 * Indicates a component that is not available as an individual part.
 G** Indicates consult Customer Service Department for additional information.

ITEM	PART NO.	1	2	3	4	5	DESCRIPTION	QTY.
151								
152	33623-G02						DRIVE RIVET, 3/16" X 3/8" LG	2
153								
154								
155	75114-G02						HOUR METER KIT (INCLUDES ITEMS 156 - 160).....	1
156	21573-G1						HOUR METER ASSEMBLY.....	1
157	74019-G01						HOUR METER BRACKET	1
158	00150-G4						SCREW, #10 - 24 X 1/2" LG	2
159	11098-G7						LOCK NUT, #10 - 24.....	2
160	75117-G01						WIRE HARNESS (HOUR METER).....	1

ENGINE AND MUFFLER



Ref Emf 8

ENGINE AND MUFFLER

THE USE OF NON U.L. PARTS WILL VOID ANY U.L. LISTING.

When ordering parts, please specify the model and serial number of the product.

* Indicates a component that is not available as an individual part.

G** Indicates consult Customer Service Department for additional information.

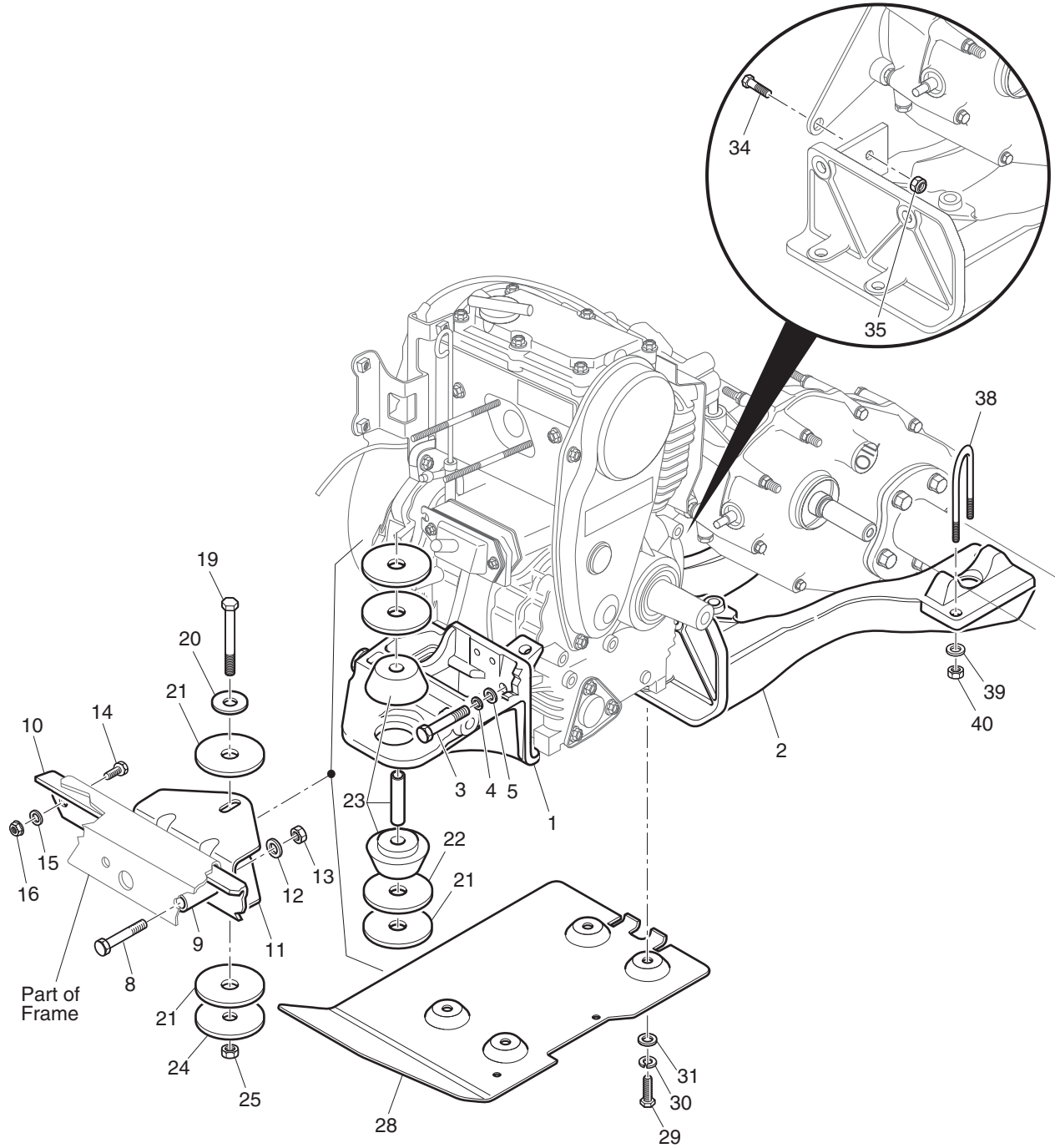
ITEM	PART NO.	1 2 3 4 5	DESCRIPTION	QTY.
1	72650-G02		ENGINE, 350cc	1
2				
3	26626-G01		TIMING BELT	1
4	26630-G01		TIMING BELT COVER	1
5	26631-G01		TIMING BELT COVER GROMMET.....	1
6	26678-G01		BOLT, M6 X 1 X 12 MM LG	3
7				
8	26657-G01		IGNITION COIL BRACKET	1
9	26733-G01		SPARK PLUG WIRE SET (2 WITH BOOTS)	1
10	25523-G3		SPARK PLUG (NGK BPR5ES - RESISTOR).....	2
11				
12	26600-G01		VALVE COVER.....	1
13	26719-G01		VALVE COVER GASKET	1
14	26676-G01		FLANGED BOLT, M6 X 1 X 23 MM LG	6
15				
16	26601-G01		OIL FILLER CAP	1
17	26720-G01		OIL FILLER "O" RING	1
18				
19	26591-G01		OIL FILTER	1
20	26710-G01		OIL FILTER "O" RING	1
21	26680-G01		BOLT AND WASHER, M6 X 1 X 12 MM LG	3
22				
23	XXXXX-XX		CARBURETOR (SEE CARBURETOR SECTION).....	X
24	26667-G01		STUD.....	2
25				
26	72019-G01		MUFFLER	1
27	25531-G1		EXHAUST GASKET	1
28	25532-G1		BOLT AND WASHER, M8 X 1.25 X 18 MM LG	4
29				
30	00438-G8		BOLT, 5/16 - 18 X 1" LG	1

ENGINE AND MUFFLER

THE USE OF NON U.L. PARTS WILL VOID ANY U.L. LISTING.
 When ordering parts, please specify the model and serial number of the product.
 * Indicates a component that is not available as an individual part.
 G** Indicates consult Customer Service Department for additional information.

ITEM	PART NO.	1	2	3	4	5	DESCRIPTION	QTY.
31	00565-G8						LOCK WASHER, 5/16"	1
32	00642-G8						WASHER, 5/16"	1
33								
34	72555-G01						BREATHER COVER GASKET (THICK).....	2
35	72657-G01						INNER BREATHER PLATE (LONG SLOT).....	1
36	72554-G01						BREATHER COVER GASKET (THIN).....	2
37	72658-G01						BREATHER BOX.....	1
38	72676-G01						OUTER BREATHER PLATE (SHORT SLOT)	1
39	72659-G01						BREATHER COVER	1
40	72680-G01						FLANGED BOLT, M6 X 1 X 70 MM LG	2
41								
42	72656-G01						ALUMINUM GASKET.....	2
43	72655-G01						BANJO UNION.....	1
44	72654-G01						BANJO BOLT	1
45								
46	72653-G01						RUBBER RETURN HOSE (INCLUDES ITEMS 47 - 49)	1
47	72677-G01						RUBBER HOSE, 6 MM ID X 12 MM OD X 145 MM LG	1
48	72678-G01						MESH PROTECTIVE COVER.....	1
49	72679-G01						HOSE CLAMP	2

ENGINE MOUNTING



Ref Emt 8

ENGINE MOUNTING

THE USE OF NON U.L. PARTS WILL VOID ANY U.L. LISTING.

When ordering parts, please specify the model and serial number of the product.

* Indicates a component that is not available as an individual part.

G** Indicates consult Customer Service Department for additional information.

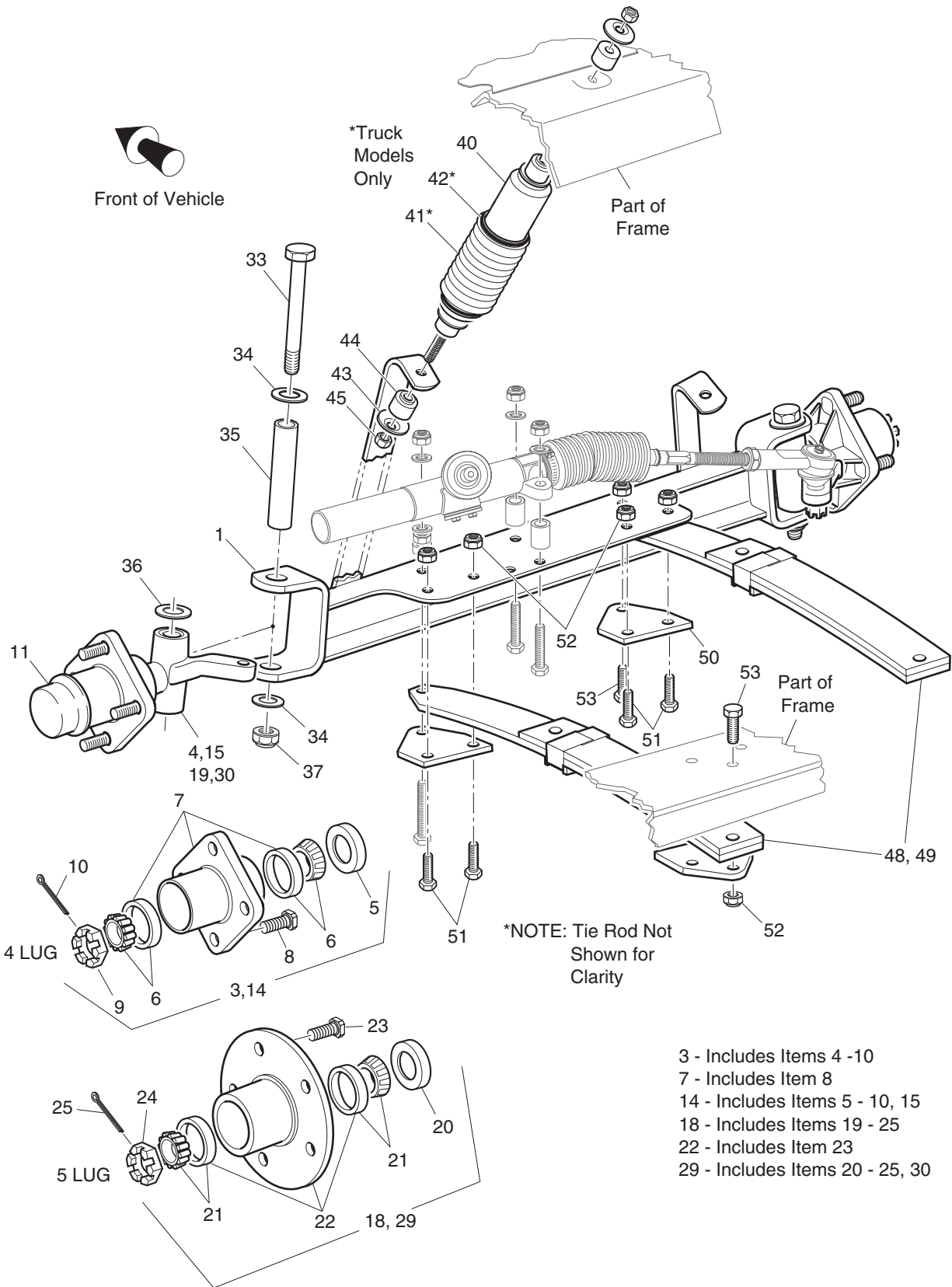
ITEM	PART NO.	1 2 3 4 5	DESCRIPTION	QTY.
1	72010-G01		FRONT ENGINE MOUNT	1
2	72011-G01		REAR ENGINE MOUNT	1
3	00463-G4		BOLT, 7/16 - 14 X 1 1/2" LG	4
4	00566-G2		LOCK WASHER, 7/16"	4
5	00922-G3		WASHER, 7/16"	4
6				
7				
8	00428-G6		BOLT, 3/8 - 16 X 2 3/4" LG	2
9	72016-G01		SPACER	2
10	70269-G01		CROSSMEMBER BRACE	1
11	72044-G01		MOUNT BRACKET	1
12	00643-G1		WASHER, 3/8"	2
13	11098-G5		LOCK NUT, 3/8 - 16	2
14	00438-G7		BOLT, 5/16 - 18 X 7/8" LG	2
15	01110-G03		WASHER, 5/16" (STAINLESS STEEL)	2
16	01109-G01		LOCK NUT, 5/16 - 18 (STAINLESS STEEL)	2
17				
18				
19	00430-G4		BOLT, 3/8 - 16 X 4 1/2" LG	1
20	15121-G1		WASHER, 1 1/4" X 3/8"	1
21	72050-G01		PLASTIC WASHER, 5/8" X 2 1/4"	4
22	72051-G01		WASHER, 2 1/2" X 5/8"	2
23	72015-G01		ISOLATION MOUNT	1
24	72051-G02		WASHER, 3/8"	1
25	11098-G5		LOCK NUT, 3/8 - 16	1
26				
27				
28	72719-G01		ENGINE GUARD	1
29	00463-G4		BOLT, 7/16 - 14 X 1 1/2" LG	4
30	00566-G2		LOCK WASHER, 7/16"	4

ENGINE MOUNTING

THE USE OF NON U.L. PARTS WILL VOID ANY U.L. LISTING.
 When ordering parts, please specify the model and serial number of the product.
 * Indicates a component that is not available as an individual part.
 G** Indicates consult Customer Service Department for additional information.

ITEM	PART NO.	1 2 3 4 5	DESCRIPTION	QTY.
31	00922-G3		WASHER, 7/16"	4
32				
33				
34	00439-G1		BOLT, 5/16 - 18 X 1 1/8" LG	1
35	01109-G01		LOCK NUT, 5/16 - 18 (STAINLESS STEEL)	1
36				
37				
38	72035-G01		'U' BOLT, 7/16 - 14 X 3 7/16" X 3 9/16" LG	2
39	00922-G3		WASHER, 7/16"	4
40	00734-G1		LOCK NUT, 7/16 - 14	4

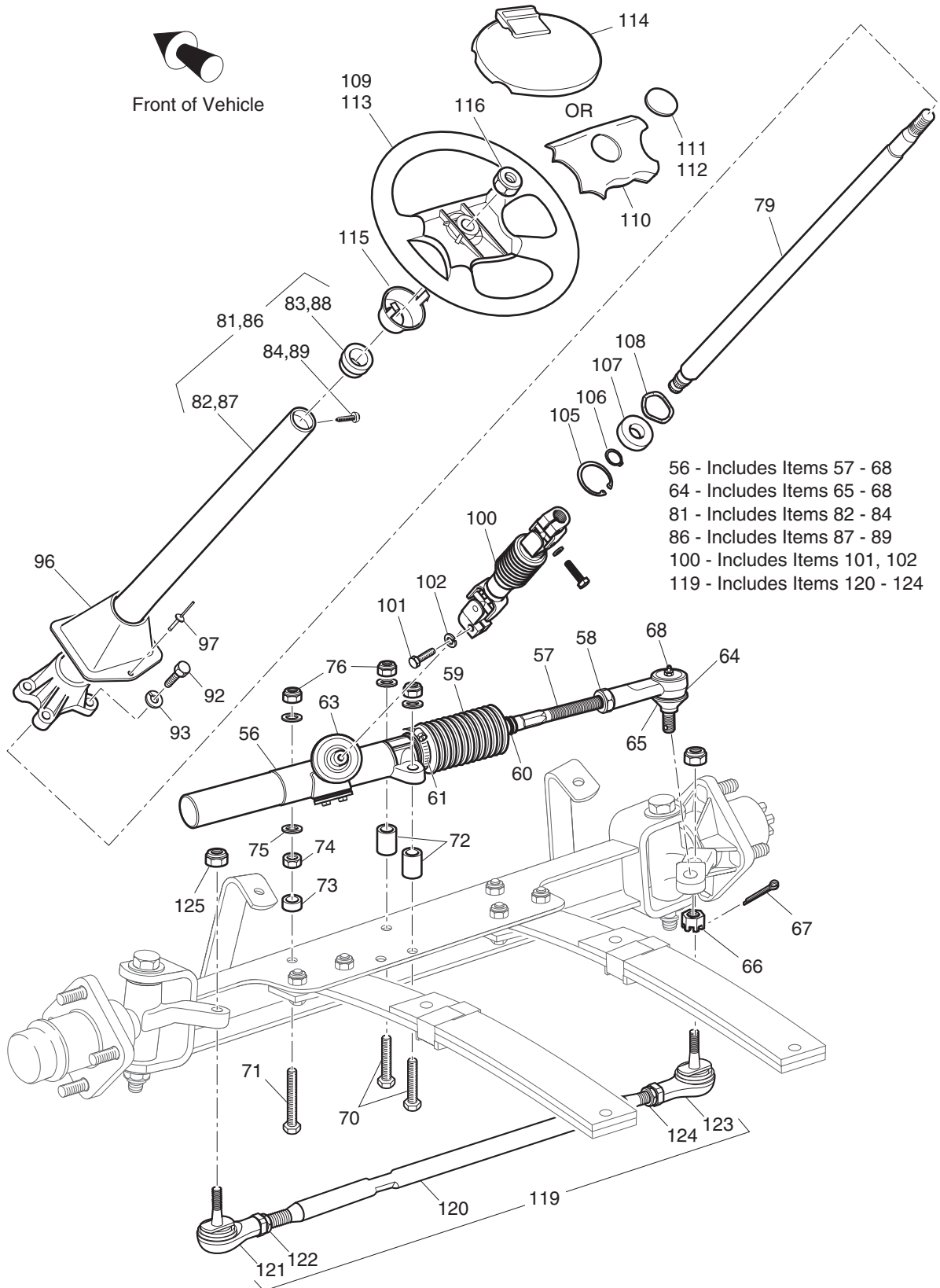
FRONT SUSPENSION/STEERING



Ref Fss 1-1

- 3 - Includes Items 4 -10
- 7 - Includes Item 8
- 14 - Includes Items 5 - 10, 15
- 18 - Includes Items 19 - 25
- 22 - Includes Item 23
- 29 - Includes Items 20 - 25, 30

FRONT SUSPENSION/STEERING



Ref Fss 1-2

FRONT SUSPENSION/STEERING

Where applicable, THE USE OF NON UL PARTS WILL VOID ANY UL LISTING.

When ordering parts, please specify the model and serial number of the product.

* Indicates a component that is not available as an individual part.

G** Indicates consult Customer Service Department for additional information.

ITEM	PART NO.	1 2 3 4 5	DESCRIPTION	QTY.
1	70963-G01		FRONT AXLE	1
2				
3	70942-G01		SPINDLE AND HUB ASSEMBLY, 4 LUG (PASSENGER SIDE) (INCLUDES ITEMS 4 - 10).....	1
4	70942-G02		SPINDLE ASSEMBLY (PASSENGER SIDE).....	1
5	25146-G1		GREASE SEAL.....	1
6	50892-G1		ROLLER BEARING AND RACE ASSEMBLY	2
7	70895-G01		WHEEL HUB ASSEMBLY WITH RACES, 4 LUG (INCLUDES ITEM 8)	1
8	19862-G1		LUG BOLT, 1/2 - 20 X 1 3/16" LG.....	4
9	12093-G1		CASTELLATED NUT, 1 - 14	1
10	00798-G8		COTTER PIN, 5/32" X 1 3/4" LG	1
11	12091-G2		SPINDLE CAP.....	2
12				
13				
14	70673-G01		SPINDLE AND HUB ASSEMBLY, 4 LUG (DRIVER SIDE) (INCLUDES ITEMS 5 - 10, 15).....	1
15	70673-G02		SPINDLE ASSEMBLY (DRIVER SIDE)	1
16				
17				
18	70943-G01		SPINDLE AND HUB ASSEMBLY, 5 LUG (PASSENGER SIDE) (INCLUDES ITEMS 19 - 25).....	1
19	70942-G02		SPINDLE ASSEMBLY (PASSENGER SIDE).....	1
20	12092-G1		GREASE SEAL.....	1
21	50892-G1		ROLLER BEARING AND RACE ASSEMBLY	2
22	70772-G01		WHEEL HUB ASSEMBLY WITH RACES, 5 LUG (INCLUDES ITEM 23)	1
23	30143-G1		LUG BOLT, 1/2 - 20 X 1 7/32" LG.....	5
24	12093-G1		CASTELLATED NUT, 1 - 14	1
25	00798-G8		COTTER PIN, 5/32" X 1 3/4" LG	1
26				
27				
28				

FRONT SUSPENSION/STEERING

Where applicable, THE USE OF NON UL PARTS WILL VOID ANY UL LISTING.

When ordering parts, please specify the model and serial number of the product.

* Indicates a component that is not available as an individual part.

G** Indicates consult Customer Service Department for additional information.

ITEM	PART NO.	1	2	3	4	5	DESCRIPTION	QTY.
29	70797-G01						SPINDLE AND HUB ASSEMBLY, 5 LUG (DRIVER SIDE) (INCLUDES ITEMS 20 - 25, 30).....	1
30	70673-G02						SPINDLE ASSEMBLY (DRIVER SIDE)	1
31								
32								
33	00407-G6						BOLT, 1/2 - 13 X 6" LG	2
34	00560-G3						WASHER, 1/2"	4
35	70745-G01						KING PIN TUBE	2
36	70754-G01						THRUST WASHER, 1" (STAINLESS STEEL).....	2
37	14390-G6						LOCK NUT, 1/2 - 13	2
38								
39								
40	70928-G01						SHOCK ABSORBER.....	2
41	70509-G01						SHOCK ABSORBER BOOT	2
42	31539-G1						WIRE TIE	4
43	10435-G1						SHOCK ABSORBER WASHER	8
44	10194-G1						RUBBER BUSHING	8
45	00532-G6						NUT, 3/8 - 24	4
46								
47								
48	70990-G02						LEAF SPRING (SEE PART NUMBER ON SPRING).....	2
49	70989-G02						LEAF SPRING (HEAVY DUTY) (SEE PART NUMBER ON SPRING).....	2
50	70163-G02						SPRING PLATE	4
51	00463-G4						BOLT, 7/16 - 14 X 1 1/2" LG	4
52	00734-G1						LOCK NUT, 7/16 - 14	11
53	00463-G6						BOLT, 7/16 - 14 X 1 3/4" LG	7
54								
55								
56	70964-G01						RACK AND PINION UNIT (COMPLETE) (INCLUDES ITEMS 57 - 68)	1
57	70694-G01						RACK EXTENSION	1

FRONT SUSPENSION/STEERING

Where applicable, THE USE OF NON UL PARTS WILL VOID ANY UL LISTING.

When ordering parts, please specify the model and serial number of the product.

* Indicates a component that is not available as an individual part.

G** Indicates consult Customer Service Department for additional information.

ITEM	PART NO.	1	2	3	4	5	DESCRIPTION	QTY.
58	*						JAM NUT, 1/2 - 20.....	1
59	70961-G01						RACK BOOT.....	1
60	12416-G2						WIRE TIE.....	1
61	11391-G8						CLAMP, 1 13/16 - 2 3/8".....	1
62								
63	70638-G01						PINION SEAL.....	1
64	70695-G01						RACK BALL JOINT (INCLUDES ITEMS 65 - 68).....	1
65	50641-G1						RUBBER BOOT.....	1
66	50209-G2						CASTELLATED NUT, 7/16 - 20.....	1
67	10387-G2						COTTER PIN, 3/32" X 1" LG.....	1
68	10389-G3						GREASE FITTING, STRAIGHT.....	1
69								
70	00464-G6						BOLT, 7/16 - 14 X 2 3/4" LG.....	2
71	01068-G01						BOLT, 7/16 - 14 X 3 1/2" LG.....	1
72	70667-G02						SPACER.....	2
73	70667-G03						SPACER (SHORT).....	1
74	00532-G7						NUT, 7/16 - 14.....	1
75	00560-G2						FLAT WASHER, 7/16".....	4
76	00734-G1						LOCK NUT, 7/16 - 14.....	3
77								
78								
79	70607-G01						STEERING SHAFT.....	1
80								
81	70758-G03						STEERING COLUMN KIT (INCLUDES ITEMS 82 - 84).....	1
82	70610-G01						STEERING COLUMN.....	1
83	28569-G01						STEERING COLUMN BUSHING.....	1
84	01022-G01						SCREW, #6 - 20 X 5/16" LG.....	1
85								
86	70758-G04						STEERING COLUMN KIT (HORN) (INCLUDES ITEMS 87 - 89).....	1
87	70610-G02						STEERING COLUMN.....	1

FRONT SUSPENSION/STEERING

Where applicable, THE USE OF NON UL PARTS WILL VOID ANY UL LISTING.

When ordering parts, please specify the model and serial number of the product.

* Indicates a component that is not available as an individual part.

G** Indicates consult Customer Service Department for additional information.

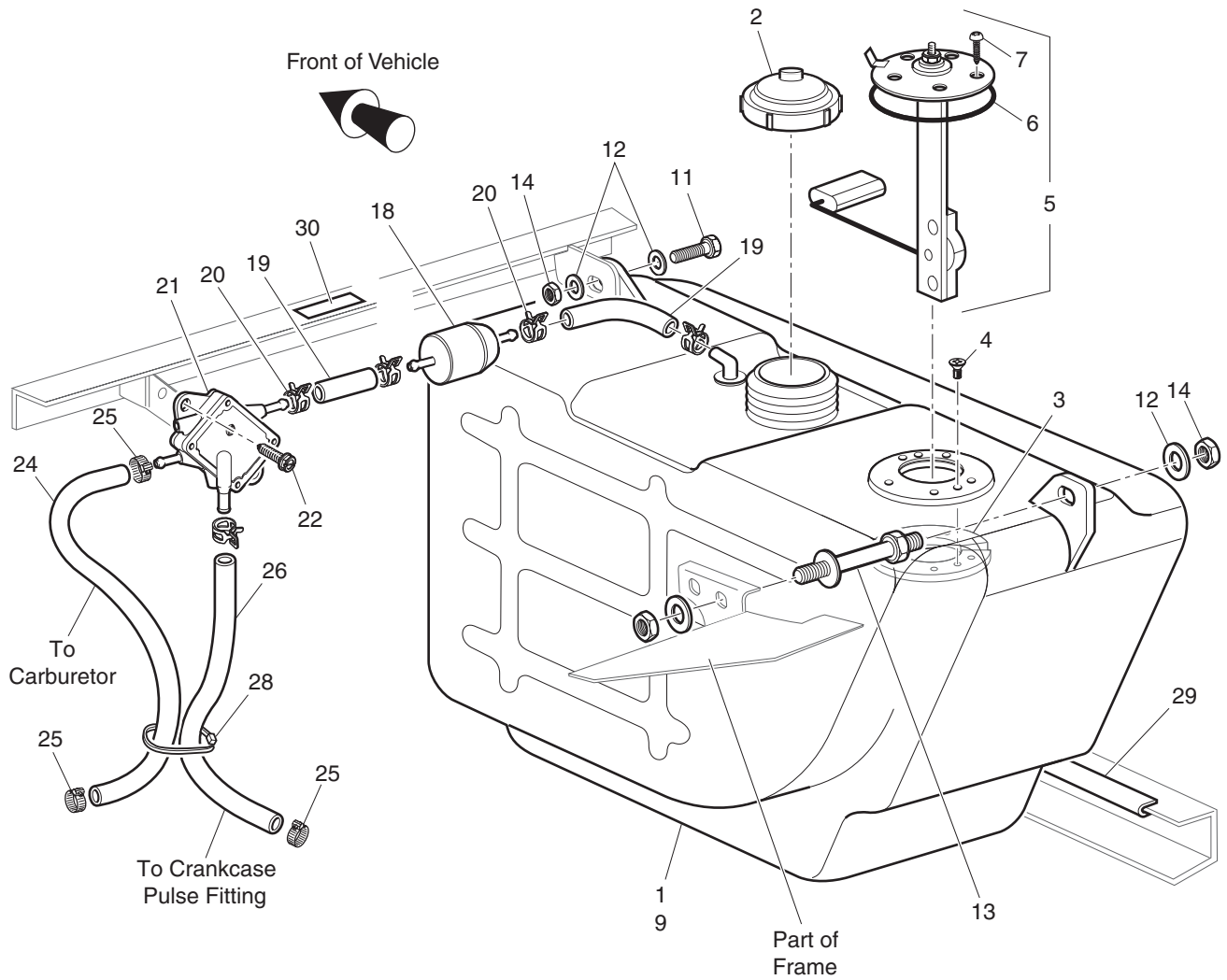
ITEM	PART NO.	1	2	3	4	5	DESCRIPTION	QTY.
88	28569-G01						STEERING COLUMN BUSHING.....	1
89	01022-G01						SCREW, #6 - 20 X 5/16" LG	1
90								
91								
92	01006-G01						BOLT, 3/8 - 16 X 1 1/4" LG	4
93	00879-G1						LOCK WASHER, 3/8"	4
94								
95								
96	70997-G01						COVER.....	1
97	71055-G01						RIVET, 3/16" X 1" LG (ALUMINUM).....	1
98								
99								
100	70580-G01						INTERMEDIATE SHAFT (INCLUDES ITEMS 101, 102).....	1
101	01055-G01						BOLT, M8 X 1.25 - 05.....	2
102	00565-G8						LOCK WASHER, 5/16"	2
103								
104								
105	70751-G01						RETAINING RING (INTERNAL).....	1
106	70888-G01						RETAINING RING (EXTERNAL).....	1
107	15112-G1						BALL BEARING	1
108	70887-G01						WAVE WASHER.....	1
109	71146-G01						STEERING WHEEL	1
110	71147-G01						STEERING WHEEL COVER	1
111	71047-G01						LABEL (E-Z-GO)	1
112	74405-G01						LABEL (CUSHMAN).....	1
113	71948-G01						STEERING WHEEL	1
114	71950-G01						CLIPBOARD.....	1
115	71949-G01						HUB COVER	1
116	14390-G2						LOCK NUT, 5/8 - 18	1
117								

FRONT SUSPENSION/STEERING

Where applicable, THE USE OF NON UL PARTS WILL VOID ANY UL LISTING.
 When ordering parts, please specify the model and serial number of the product.
 * Indicates a component that is not available as an individual part.
 G** Indicates consult Customer Service Department for additional information.

ITEM	PART NO.	1 2 3 4 5	DESCRIPTION	QTY.
118				
119	70876-G02		TIE ROD ASSEMBLY (INCLUDES ITEMS 120 - 124).....	1
120	70897-G02		THREADED ROD (24" LG).....	1
121	70902-G01		TIE ROD END (LEFT HAND THREADS)	1
122	01069-G01		JAM NUT, M12 X 1.25 - 05 (LEFT HAND THREADS).....	1
123	70902-G02		TIE ROD END (RIGHT HAND THREADS).....	1
124	01069-G02		JAM NUT, M12 X 1.25 - 05 (RIGHT HAND THREADS)	1
125	00734-G1		LOCK NUT, 7/16 - 14	2

FUEL SYSTEM



Ref E5y 8

FUEL SYSTEM

THE USE OF NON U.L. PARTS WILL VOID ANY U.L. LISTING.

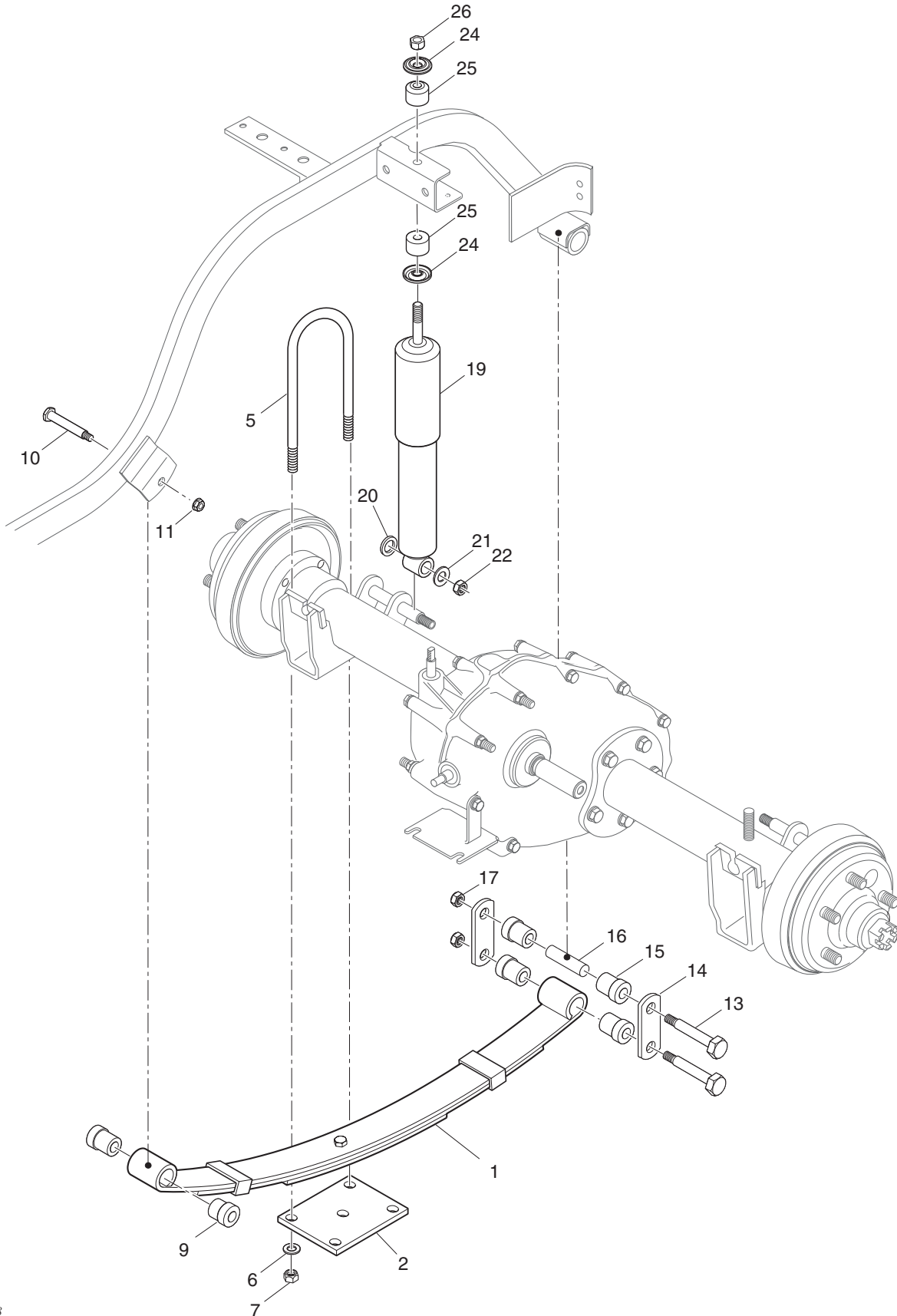
When ordering parts, please specify the model and serial number of the product.

* Indicates a component that is not available as an individual part.

G** Indicates consult Customer Service Department for additional information.

ITEM	PART NO.	1 2 3 4 5	DESCRIPTION	QTY.
1	72092-G02		FUEL TANK (FOR ELECTRIC FUEL GAUGE)	1
2	72282-G01		FUEL TANK CAP	1
3	72229-G01		FUEL LEVEL SENDER ADAPTER	1
4	72230-G01		SCREW, #6 - 32 X 1/2" LG.....	2
5	20048-G2		FUEL LEVEL SENDER (ELEC. FUEL GAUGE) (INCLUDES ITEMS 6, 7)	1
6	*		GASKET	1
7	72232-G01		SCREW, #10 - 32 x 3/4" LG.....	5
8				
9	72092-G01		FUEL TANK (FOR VEHICLES WITHOUT GAUGE)	1
10				
11	00438-G8		BOLT, 5/16 - 18 X 1" LG	1
12	00559-G8		WASHER, 5/16"	4
13	70483-G01		SPACER.....	1
14	01109-G01		LOCK NUT, 5/16 - 18 (STAINLESS STEEL)	3
15				
16				
17				
18	72084-G01		FUEL FILTER	1
19	17470-G1		TUBING, 1/4" ID X 1/2" OD (BULK), 3 1/4" LG	2
20	18292-G1		CLAMP	5
21	72021-G01		FUEL PUMP	1
22	00114-G6		SCREW, 1/4 - 14 X 3/4" LG.....	2
23				
24	17470-G1		TUBING, 16" LG (BULK)	A/R
25	11391-G4		HOSE CLAMP, 1/4"	3
26	27183-G01		PULSE TUBING, 19" LG (BULK).....	A/R
27				
28	17618-G1		WIRE TIE	3
29	22280-G1		VINYL TRIM, 6 1/4" LG (BULK)	A/R
30	26459-G01		LABEL (UNLEADED GASOLINE ONLY)	1

REAR SUSPENSION - HYDRAULIC BRAKES



Ref Rsh 8

REAR SUSPENSION - HYDRAULIC BRAKES

THE USE OF NON U.L. PARTS WILL VOID ANY U.L. LISTING.

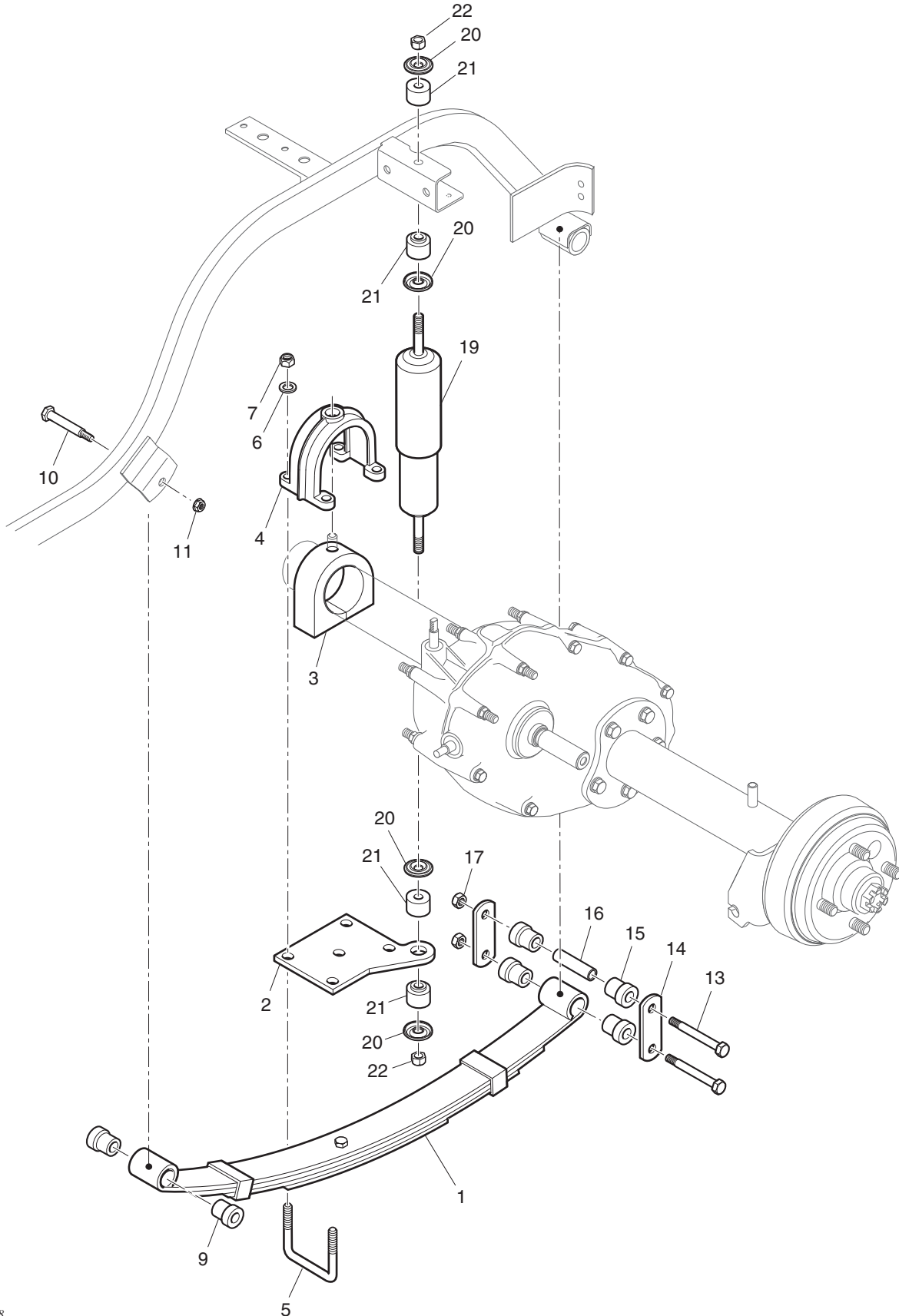
When ordering parts, please specify the model and serial number of the product.

* Indicates a component that is not available as an individual part.

G** Indicates consult Customer Service Department for additional information.

ITEM	PART NO.	1	2	3	4	5	DESCRIPTION	QTY.
1	74207-G01						HEAVY DUTY LEAF SPRING	2
2	34011-G01						SPRING MOUNTING PLATE	2
3								
4								
5	32195-G1						'U' BOLT, 3/8 - 16 X 2 1/2" X 5 3/8" LG	4
6	00560-G1						WASHER, 3/8"	8
7	11098-G5						LOCK NUT, 3/8 - 16	8
8								
9	70291-G01						FLANGED BUSHING	4
10	14158-G1						SHOULDER BOLT, 3/16 x 3 1/4" LG	2
11	12262-G1						LOCK NUT, 3/8 - 16	2
12								
13	00429-G2						BOLT, 3/8 - 16 X 3 1/4" LG	4
14	70290-G01						SHACKLE PLATE	4
15	70291-G01						FLANGED BUSHING	8
16	70289-G02						SPACER	4
17	11098-G5						LOCK NUT, 3/8 - 16	4
18								
19	70469-G01						SHOCK ABSORBER.....	2
20	70472-G01						SPACER	2
21	00643-G3						WASHER, 1/2"	2
22	00551-G1						LOCK NUT, 1/2 - 13	2
23								
24	10435-G1						SHOCK ABSORBER WASHER.....	4
25	10194-G1						RUBBER BUSHING	4
26	00532-G6						NUT, 3/8 - 24	2

REAR SUSPENSION - MECHANICAL BRAKES



Ref Rsm 8

REAR SUSPENSION - MECHANICAL BRAKES

THE USE OF NON U.L. PARTS WILL VOID ANY U.L. LISTING.

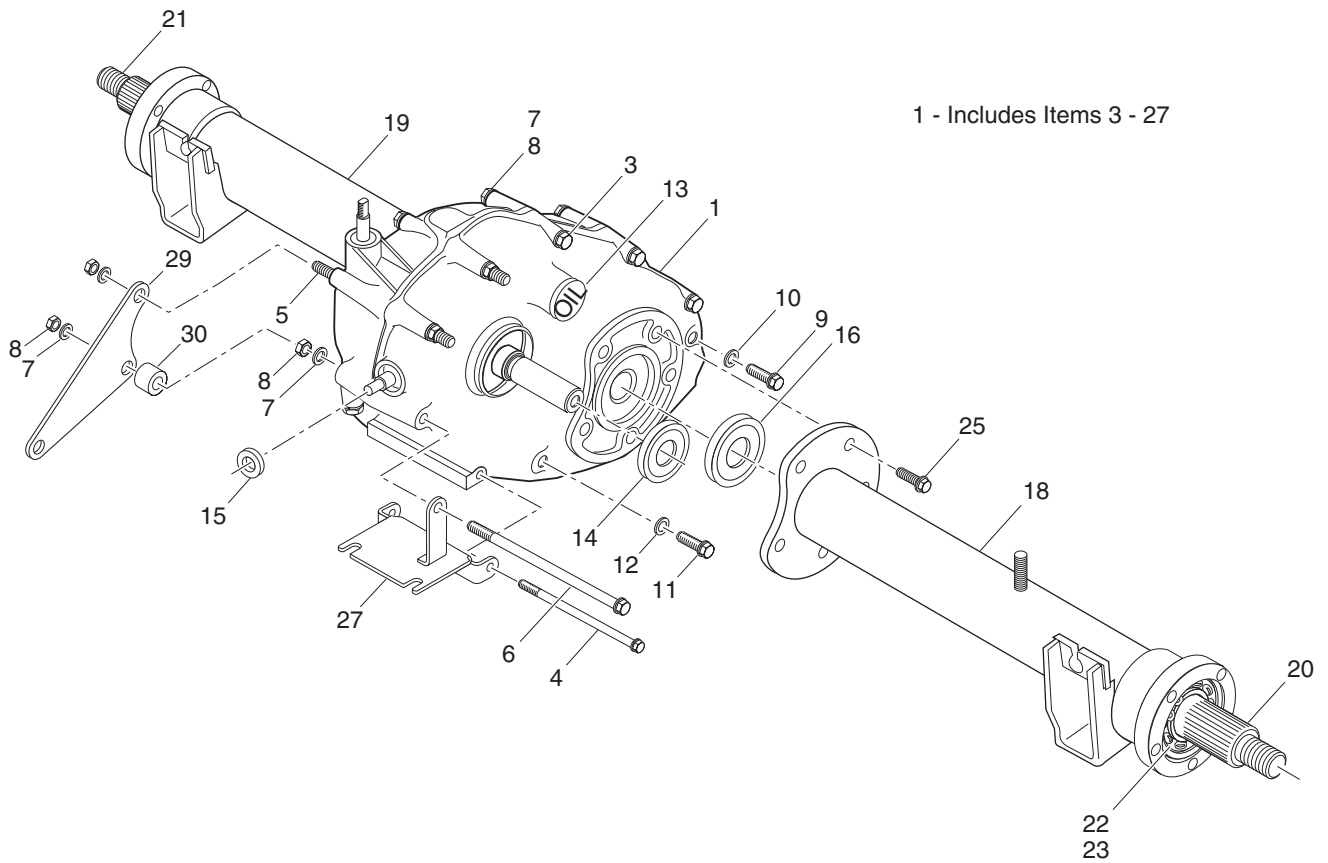
When ordering parts, please specify the model and serial number of the product.

* Indicates a component that is not available as an individual part.

G** Indicates consult Customer Service Department for additional information.

ITEM	PART NO.	1	2	3	4	5	DESCRIPTION	QTY.
1	74207-G01						HEAVY DUTY LEAF SPRING	1
2	72028-G01						ISOMOUNT BASE PLATE	2
3	72117-G01						ISOMOUNT BUSHING.....	2
4	72037-G01						ISOMOUNT CAP.....	2
5	72618-G01						'U' BOLT, 3/8 - 16 X 2" X 2 1/2" LG	4
6	00560-G1						WASHER, 3/8"	8
7	11098-G5						LOCK NUT, 3/8 - 16	8
8								
9	70291-G01						FLANGED BUSHING	4
10	14158-G1						SHOULDER BOLT, 3/8 - 16 x 3 1/4" LG.....	2
11	12262-G1						LOCK NUT, 3/8 - 16	2
12								
13	00665-G9						BOLT, 3/8 - 16 X 3 1/2" LG (STAINLESS STEEL).....	4
14	70290-G01						SHACKLE PLATE	4
15	70291-G01						FLANGED BUSHING	8
16	70289-G02						SPACER	4
17	11098-G5						LOCK NUT, 3/8 - 16	4
18								
19	70324-G01						SHOCK ABSORBER.....	2
20	10435-G1						SHOCK ABSORBER WASHER	8
21	10194-G1						RUBBER BUSHING	8
22	00532-G6						NUT, 3/8 - 24	4

REAR AXLE - HYDRAULIC BRAKES



Ref R3h 8

REAR AXLE - HYDRAULIC BRAKES

THE USE OF NON U.L. PARTS WILL VOID ANY U.L. LISTING.

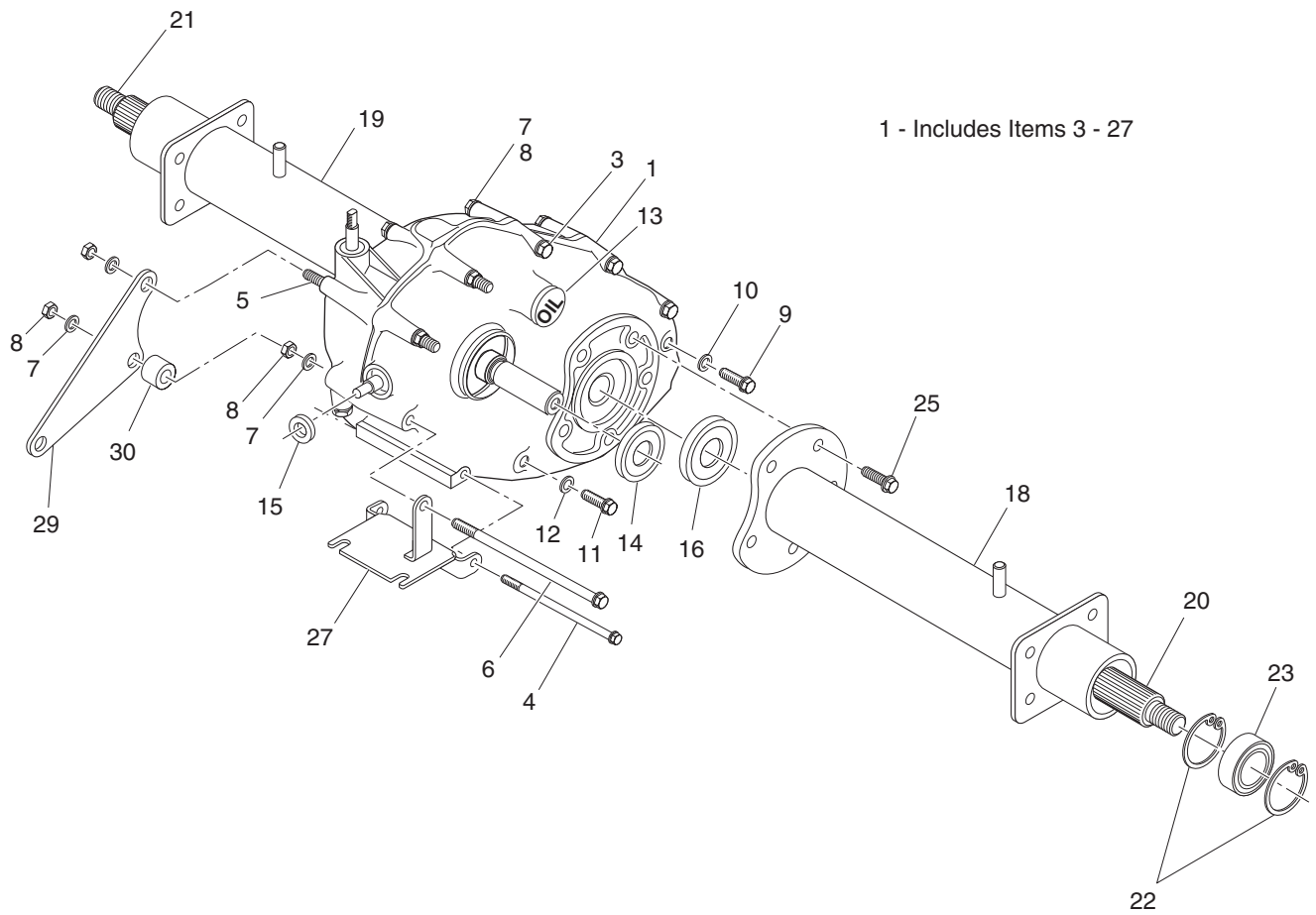
When ordering parts, please specify the model and serial number of the product.

* Indicates a component that is not available as an individual part.

G** Indicates consult Customer Service Department for additional information.

ITEM	PART NO.	1	2	3	4	5	DESCRIPTION	QTY.
1	72602-G02						REAR AXLE (13.32:1) (INCLUDES ITEMS 3 - 27) (SERVICE).....	1
2								
3	26823-G01						FLANGED BOLT, M8 X 1.25 X 100 MM LG.....	7
4	26824-G01						FLANGED BOLT, M8 X 1.25 X 110 MM LG.....	1
5	72053-G01						FLANGED BOLT, M8 X 1.25 X 120 MM LG.....	1
6	72052-G01						FLANGED BOLT, M8 X 1.25 X 130 MM LG.....	1
7	26826-G01						LOCK WASHER, M8.....	14
8	26827-G01						NUT, M8 X 1.25 MM.....	14
9	26768-G01						OIL CHECK PLUG.....	1
10	26769-G01						GASKET, 8 MM.....	1
11	26770-G01						OIL DRAIN PLUG.....	1
12	26771-G01						GASKET, 14 MM.....	1
13	26772-G01						OIL FILLER PLUG.....	1
14	26761-G01						INPUT SHAFT SEAL.....	1
15	26762-G01						SHIFTER SHAFT SEAL.....	1
16	26766-G01						AXLE SHAFT SEAL.....	2
17								
18	34138-G01						AXLE TUBE (DRIVER SIDE).....	1
19	34139-G01						AXLE TUBE (PASSENGER SIDE).....	1
20	34136-G01						AXLE SHAFT (DRIVER SIDE).....	1
21	34137-G01						AXLE SHAFT (PASSENGER SIDE).....	1
22	33687-G01						RETAINING RING.....	2
23	33686-G01						BEARING.....	4
24								
25	72260-G01						FLANGED BOLT, M10 X 1.5 X 23 MM LG.....	10
26								
27	26815-G01						SHIFTER CABLE BRACKET.....	1
28								
29	72017-G01						AXLE BRACKET.....	1
30	75048-G01						SPACER, 1/2".....	1

REAR AXLE - MECHANICAL BRAKES



Ref Rsm 8

REAR AXLE - MECHANICAL BRAKES

THE USE OF NON U.L. PARTS WILL VOID ANY U.L. LISTING.

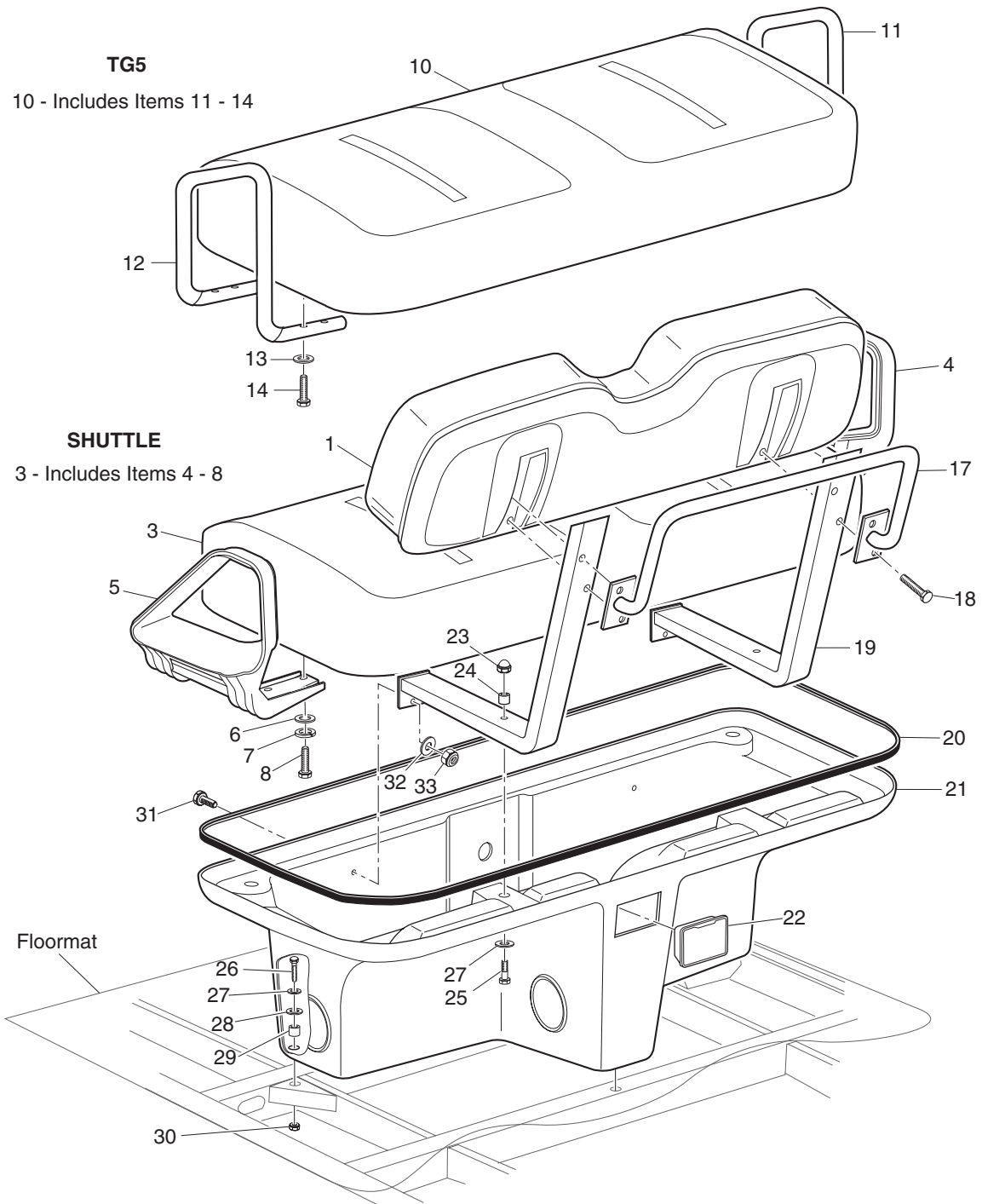
When ordering parts, please specify the model and serial number of the product.

* Indicates a component that is not available as an individual part.

G** Indicates consult Customer Service Department for additional information.

ITEM	PART NO.	1	2	3	4	5	DESCRIPTION	QTY.
1	72031-G01						REAR AXLE (13.32:1) (INCLUDES ITEMS 3 - 27)	1
2								
3	26823-G01						FLANGED BOLT, M8 X 1.25 X 100 MM LG.....	7
4	26824-G01						FLANGED BOLT, M8 X 1.25 X 110 MM LG	1
5	72053-G01						FLANGED BOLT, M8 X 1.25 X 120 MM LG.....	1
6	72052-G01						FLANGED BOLT, M8 X 1.25 X 130 MM LG.....	1
7	26826-G01						LOCK WASHER, M8	14
8	26827-G01						NUT, M8 X 1.25 MM.....	14
9	26768-G01						OIL CHECK PLUG.....	1
10	26769-G01						GASKET, 8 MM.....	1
11	26770-G01						OIL DRAIN PLUG	1
12	26771-G01						GASKET, 14 MM.....	1
13	26772-G01						OIL FILLER PLUG	1
14	26761-G01						INPUT SHAFT SEAL	1
15	26762-G01						SHIFTER SHAFT SEAL.....	1
16	26766-G01						AXLE SHAFT SEAL.....	2
17								
18	72115-G01						AXLE TUBE (DRIVER SIDE).....	1
19	72116-G01						AXLE TUBE (PASSENGER SIDE)	1
20	72056-G01						AXLE SHAFT (DRIVER SIDE).....	1
21	72057-G01						AXLE SHAFT (PASSENGER SIDE)	1
22	26814-G01						RETAINING RING.....	4
23	26811-G01						BALL BEARING	2
24								
25	72260-G01						FLANGED BOLT, M10 X 1.5 X 23 MM LG.....	10
26								
27	26815-G01						SHIFTER CABLE BRACKET.....	1
28								
29	72017-G01						AXLE BRACKET	1
30	75048-G01						SPACER, 1/2".....	1

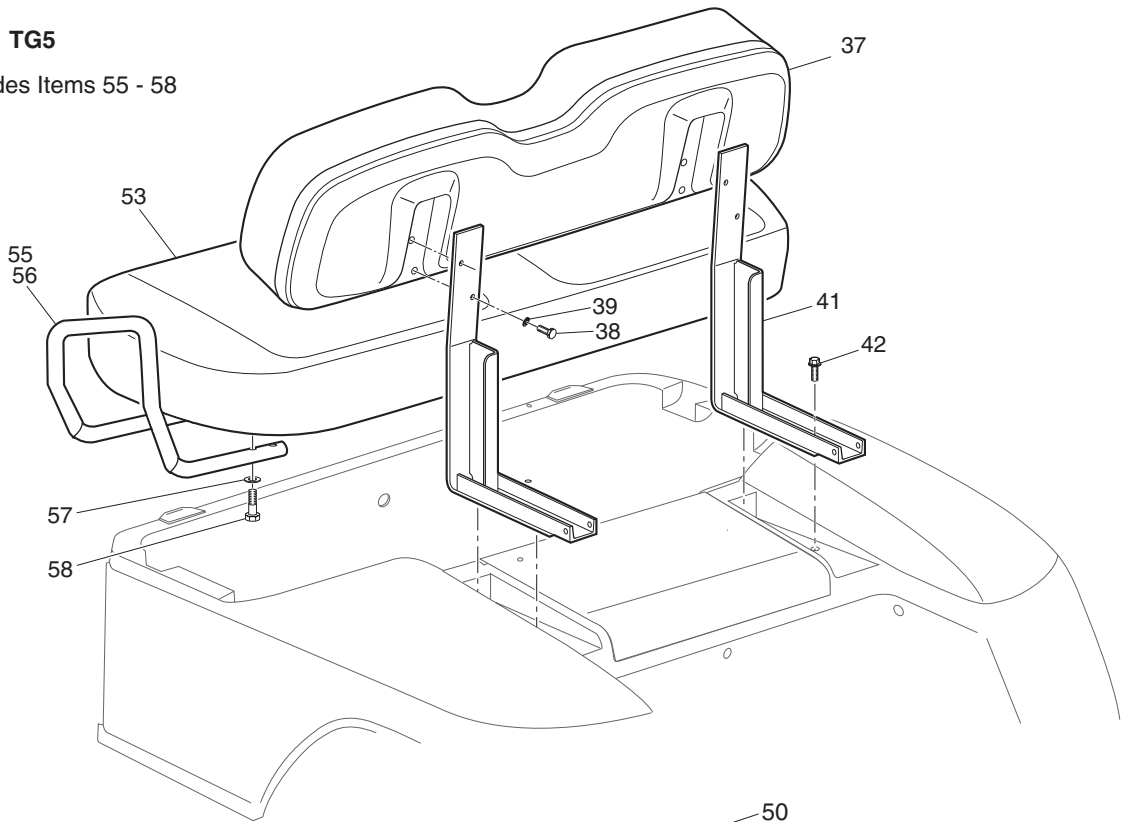
SEATING



Ref Sea 8-1

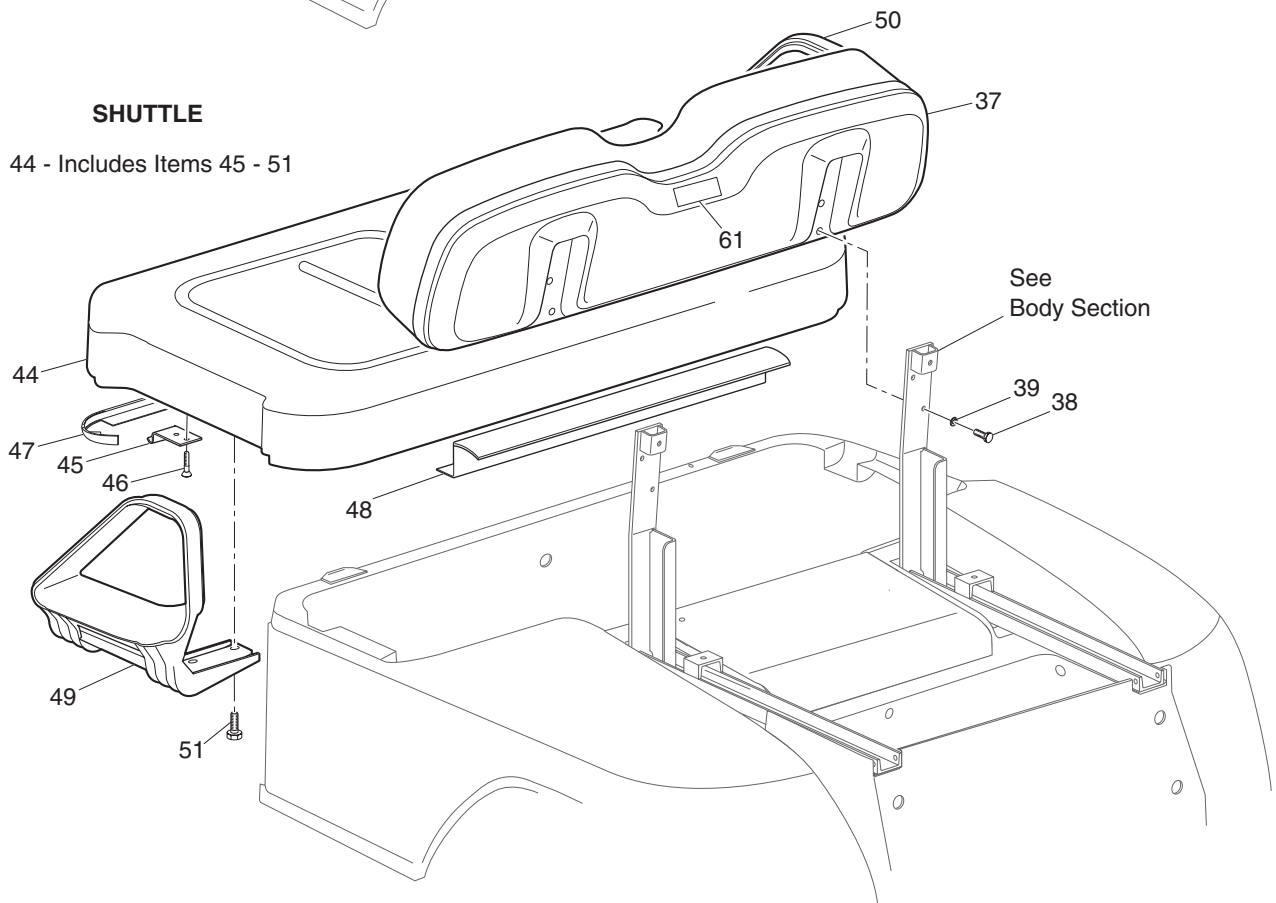
TG5

54 - Includes Items 55 - 58



SHUTTLE

44 - Includes Items 45 - 51



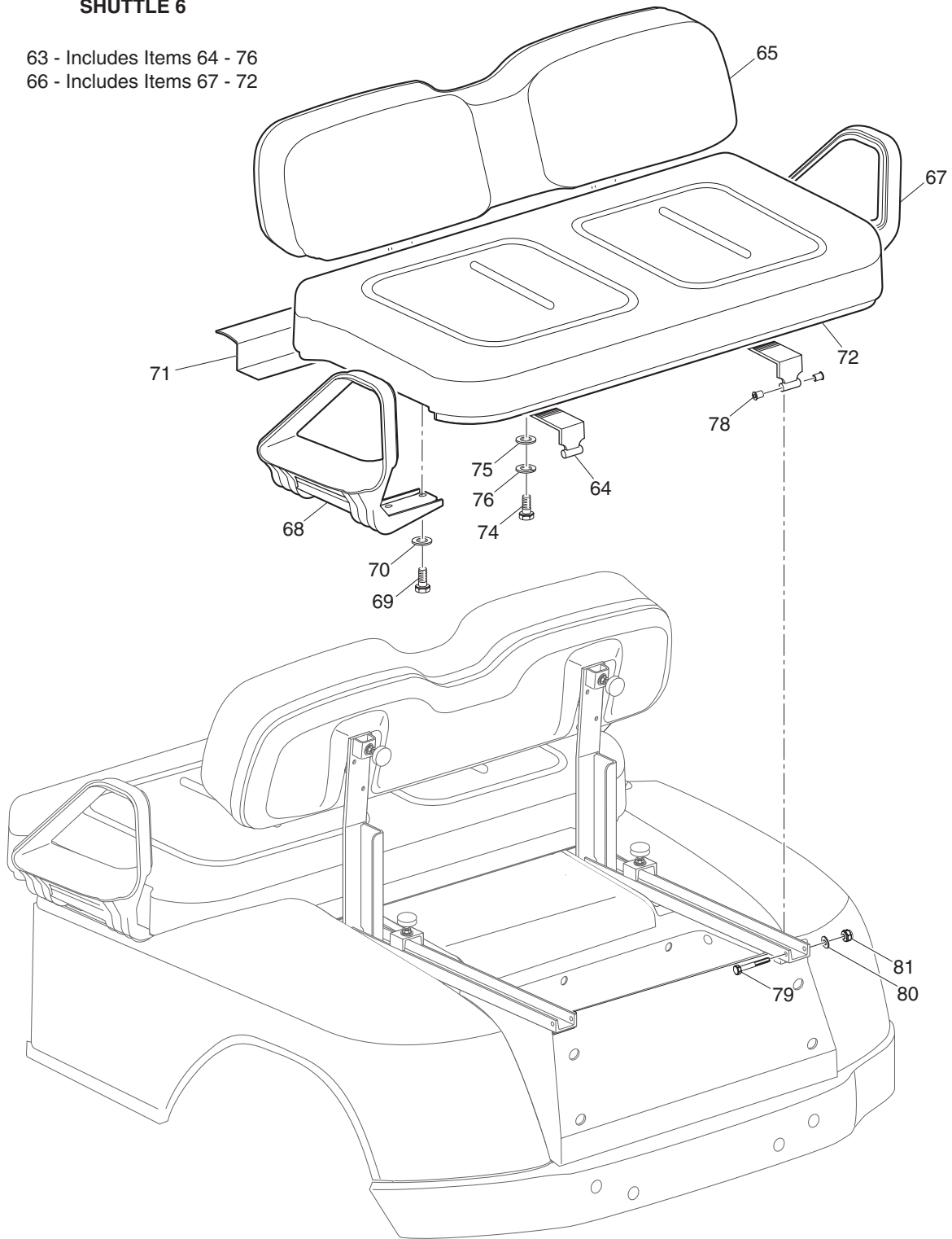
Ref Sea 8-2

SEATING

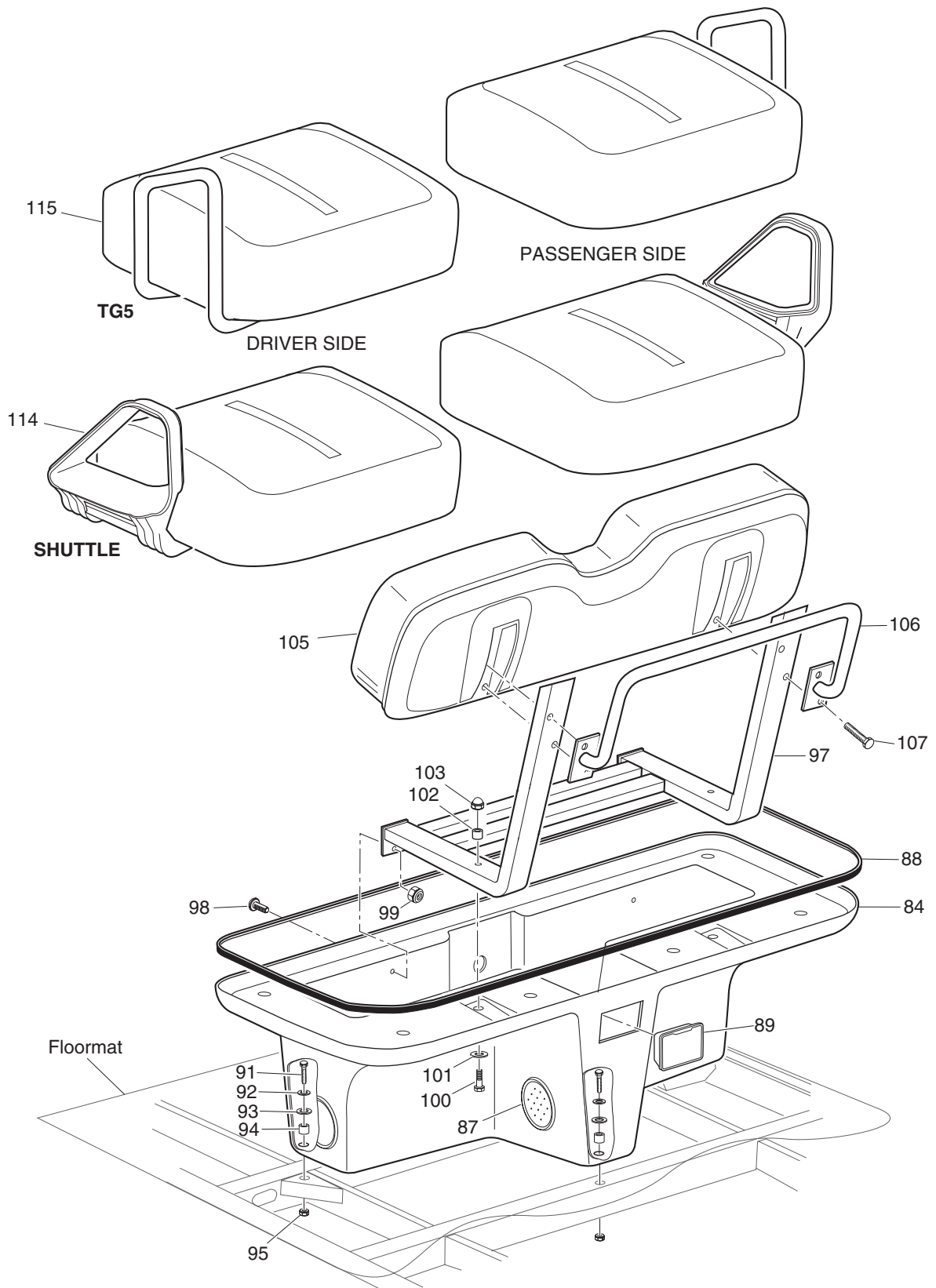
SHUTTLE 6

63 - Includes Items 64 - 76

66 - Includes Items 67 - 72

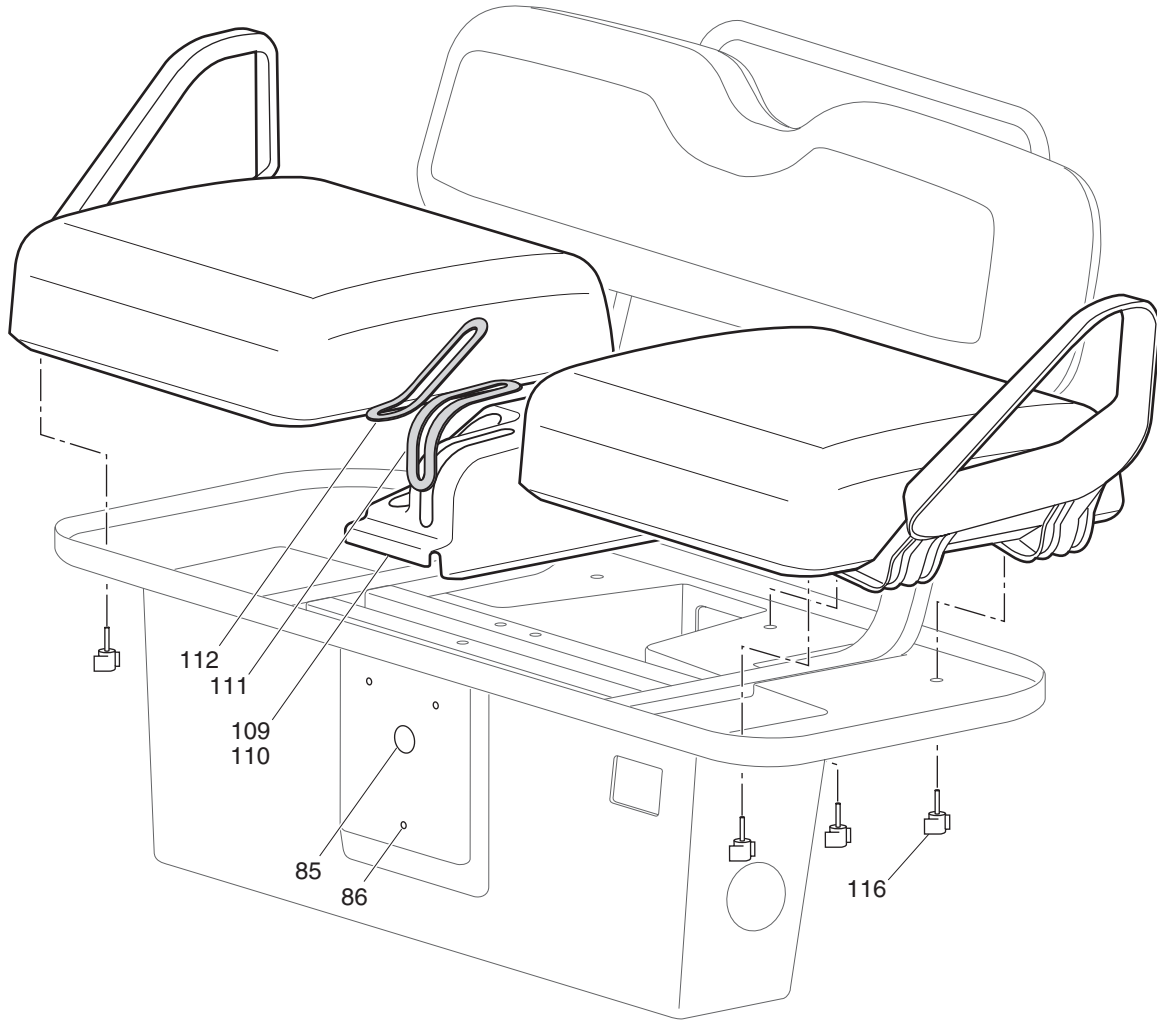


Ref Sea 8-3



Ref Sea 8-4

SEATING



Ref Sea 8-5

SEATING

THE USE OF NON U.L. PARTS WILL VOID ANY U.L. LISTING.

When ordering parts, please specify the model and serial number of the product.

* Indicates a component that is not available as an individual part.

G** Indicates consult Customer Service Department for additional information.

ITEM	PART NO.	1 2 3 4 5	DESCRIPTION	QTY.
1	71751-G**		SEAT BACK ASSEMBLY	1
2				
3	71888-G**		SEAT BOTTOM (INCLUDES ITEMS 4 - 8) (SHUTTLE 4 & 6)	1
4	71701-G01		HIP RESTRAINT (PASSENGER SIDE).....	1
5	71702-G01		HIP RESTRAINT (DRIVER SIDE)	1
6	01110-G01		WASHER, 1/4" (STAINLESS STEEL).....	8
7	00664-G7		LOCKWASHER, 1/4" (STAINLESS STEEL).....	8
8	00415-G2		BOLT, 1/4 - 20 X 1 1/4" LG.....	8
9				
10	71875-G**		SEAT BOTTOM (INCLUDES ITEMS 11 - 14) (TG5)	1
11	71877-G01		HIP RESTRAINT (PASSENGER SIDE).....	1
12	71877-G02		HIP RESTRAINT (DRIVER SIDE)	1
13	01110-G01		WASHER, 1/4" (STAINLESS STEEL).....	8
14	00415-G2		BOLT, 1/4 - 20 X 1 1/4" LG.....	8
15				
16				
17	71632-G01		REAR HAND HOLD BAR.....	1
18	71204-G02		BOLT, 1/4 - 20 X 2" LG	4
19	71868-G01		SEAT BACK BRACKET	2
20	32805-G6		TRIM, BLACK.....	1
21	70836-G0**		SEAT POD	1
22	27731-G01		ASHTRAY	1
23	15717-G5		ACORN NUT, 3/8 - 16	2
24	23726-G4		SPACER, 5/16".....	2
25	00427-G8		BOLT, 3/8 - 16 X 2" LG	2
26	00439-G8		BOLT, 5/16 - 18 X 2" LG	3
27	00675-G1		WASHER, 3/8" (STAINLESS STEEL)	5
28	71883-G01		RUBBER WASHER, 5/8"	3
29	23726-G9		SPACER, 3/4"	3
30	01109-G01		LOCK NUT, 5/16 - 18 (STAINLESS STEEL)	3

SEATING

THE USE OF NON U.L. PARTS WILL VOID ANY U.L. LISTING.
 When ordering parts, please specify the model and serial number of the product.
 * Indicates a component that is not available as an individual part.
 G** Indicates consult Customer Service Department for additional information.

ITEM	PART NO.	1 2 3 4 5	DESCRIPTION	QTY.
31	00976-G06		SCREW, 5/16 - 18 X 3/4" LG (STAINLESS STEEL)	2
32	01110-G01		WASHER, 1/4" (STAINLESS STEEL)	2
33	00654-G2		LOCK NUT, 1/4 - 20 (STAINLESS STEEL)	2
34	71599-G01		VENT PLUG	4
35				
36				
37	71751-G**		SEAT BACK	1
38	00661-G8		BOLT, 1/4 - 20 X 1" LG (STAINLESS STEEL).....	4
39	00664-G7		LOCK WASHER, 1/4" (STAINLESS STEEL)	4
40				
41	74137-G01		SEAT BACK SUPPORT (TG5).....	2
42	01006-G01		BOLT, 3/8 - 16 X 1 1/4" LG (TG5).....	4
43				
44	71611-G**		SEAT BOTTOM (INCLUDES ITEMS 45 - 51) (SHUTTLE 4 & 6)	1
45	71610-G01		SEAT HINGE	2
46	00720-G08		SCREW, #12 - 14 X 1" LG (STAINLESS STEEL).....	6
47	71012-G01		FRONT EDGE TRIM.....	1
48	71608-G01		BACK EDGE TRIM	1
49	71702-G01		HIP RESTRAINT (DRIVER SIDE)	1
50	71701-G01		HIP RESTRAINT (PASSENGER SIDE).....	1
51	71204-G01		BOLT, 1/4 - 20 X 7/8" LG	8
52				
53	71651-G**		SEAT BOTTOM (TG5).....	1
54	71646-G01		HAND HOLD KIT (INCLUDES ITEMS 55 - 58)	1
55	71876-G01		HIP RESTRAINT, REAR SEAT (DRIVER SIDE)	1
56	71876-G02		HIP RESTRAINT, REAR SEAT (PASSENGER SIDE).....	1
57	01110-G01		WASHER, 1/4" (STAINLESS STEEL).....	8
58	00415-G2		BOLT, 1/4 - 20 X 1 1/4" LG	8
59				
60				

SEATING

THE USE OF NON U.L. PARTS WILL VOID ANY U.L. LISTING.

When ordering parts, please specify the model and serial number of the product.

* Indicates a component that is not available as an individual part.

G** Indicates consult Customer Service Department for additional information.

ITEM	PART NO.	1 2 3 4 5	DESCRIPTION	QTY.
61	74095-G01		LABEL (WARNING) (SHUTTLE 4).....	1
62				
63	74131-G**		SEAT ASSEMBLY (INCLUDES ITEMS 64 - 76) (SHUTTLE 6).....	1
64	74117-G01		SEAT SUPPORT BRACKET	2
65	71751-G**		SEAT BACK.....	1
66	74139-G**		SEAT BOTTOM (INCLUDES ITEMS 67 - 72).....	1
67	71701-G01		HIP RESTRAINT (PASSENGER SIDE)	1
68	71702-G01		HIP RESTRAINT (DRIVER SIDE).....	1
69	00661-G8		BOLT, 1/4 - 20 X 1" LG (STAINLESS STEEL).....	8
70	01110-G01		WASHER, 1/4" (STAINLESS STEEL)	8
71	71012-G01		SEAT TRIM (REAR)	1
72	74140-G01		SEAT TRIM (FRONT).....	1
73				
74	00661-G8		BOLT, 1/4 - 20 X 1" LG (STAINLESS STEEL)	12
75	01110-G01		WASHER, 1/4" (STAINLESS STEEL).....	12
76	00565-G2		LOCK WASHER, 1/4"	12
77				
78	17838-G1		NYLON BUSHING.....	4
79	00440-G4		BOLT, 5/16 - 18 X 2 1/2" LG	2
80	00559-G8		WASHER, 5/16"	2
81	01109-G01		LOCK NUT, 5/16 - 18 (STAINLESS STEEL)	2
82				
83				
84	70836-G0**		SEAT POD	1
85	71316-G01		PLUG, 1 1/8"	1
86	71055-G01		RIVET, 3/16" X 1" LG (ALUMINUM).....	3
87	71599-G01		VENT PLUG	4
88	32805-G6		TRIM, BLACK.....	1
89	27731-G01		ASHTRAY.....	1
90				

SEATING

THE USE OF NON U.L. PARTS WILL VOID ANY U.L. LISTING.

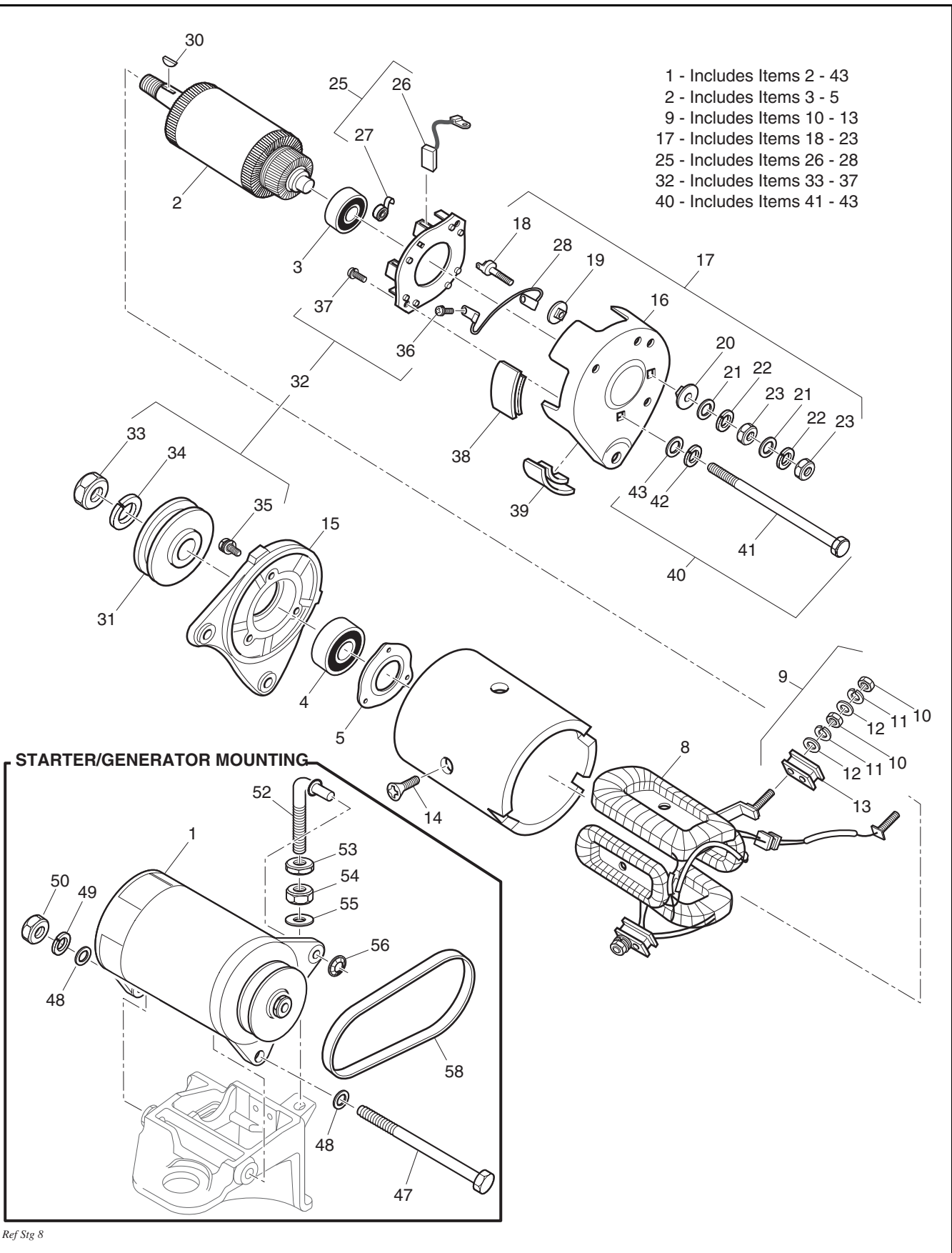
When ordering parts, please specify the model and serial number of the product.

* Indicates a component that is not available as an individual part.

G** Indicates consult Customer Service Department for additional information.

ITEM	PART NO.	1 2 3 4 5	DESCRIPTION	QTY.
91	00439-G8		BOLT, 5/16 - 18 X 2" LG	3
92	00675-G1		WASHER, 3/8" (STAINLESS STEEL)	3
93	71883-G01		RUBBER WASHER, 5/8"	3
94	23726-G9		SPACER, 3/4"	3
95	01109-G01		LOCK NUT, 5/16 - 18 (STAINLESS STEEL)	3
96				
97	70820-G01		SEAT BACK SUPPORT	1
98	00976-G06		SCREW, 5/16 - 18 X 3/4" LG (STAINLESS STEEL)	2
99	01109-G01		LOCK NUT, 5/16 - 18 (STAINLESS STEEL)	2
100	00427-G8		BOLT, 3/8 - 16 X 2" LG	2
101	00675-G1		WASHER, 3/8" (STAINLESS STEEL)	2
102	23726-G4		SPACER, 5/16"	2
103	15717-G5		ACORN NUT, 3/8 - 16	2
104				
105	71751-G**		SEAT BACK	1
106	71632-G01		HAND GRIP	1
107	71204-G02		BOLT, 1/4 - 20 X 2" LG	4
108				
109	70845-G01		CONSOLE COVER (WITHOUT DIRECTION SELECTOR)	1
110	70845-G02		CONSOLE COVER (WITH DIRECTION SELECTOR)	1
111	70846-G01		SEAL (DIRECTION SELECTOR)	1
112	70847-G01		SEAL (BRAKE LEVER)	1
113				
114	70853-G**		SEAT BOTTOM (SHUTTLE)	2
115	70835-G**		SEAT BOTTOM (TG5)	2
116	70864-G01		'T' KNOB	6

STARTER / GENERATOR



STARTER / GENERATOR

THE USE OF NON U.L. PARTS WILL VOID ANY U.L. LISTING.

When ordering parts, please specify the model and serial number of the product.

* Indicates a component that is not available as an individual part.

G** Indicates consult Customer Service Department for additional information.

ITEM	PART NO.	1	2	3	4	5	DESCRIPTION	QTY.
1	27065-G01						STARTER / GENERATOR (INCLUDES ITEMS 2 - 43).....	1
2	26870-G01						ARMATURE (INCLUDES ITEMS 3 - 5)	1
3	26871-G01						REAR BALL BEARING	1
4	26872-G01						FRONT BALL BEARING	1
5	26873-G01						BEARING HOLDER	1
6								
7								
8	26875-G01						FIELD COIL	1
9	26876-G01						INSULATING BRUSH ASSEMBLY ('F') (INCLUDES ITEMS 10 - 13).....	2
10	*						NUT	2
11	*						LOCK WASHER	2
12	*						WASHER	2
13	*						INSULATOR	1
14	26877-G01						POLE CORE SETSCREW.....	4
15	26878-G01						FRONT COVER.....	1
16	27879-G01						REAR COVER	1
17	26880-G01						TERMINAL ASSEMBLY ('A') (INCLUDES ITEMS 18 - 23).....	2
18	*						TERMINAL	2
19	*						INSULATOR	2
20	*						INSULATOR	2
21	*						WASHER.....	4
22	*						LOCK WASHER	4
23	*						NUT	4
24								
25	26881-G01						BRUSH HOLDER ASSEMBLY (INCLUDES ITEMS 26 - 28)	1
26	26658-G01						BRUSH.....	4
27	26882-G01						BRUSH SPRING	4
28	26883-G01						BRUSH CONNECTOR.....	2
29								
30	26884-G01						KEY.....	1

STARTER / GENERATOR

THE USE OF NON U.L. PARTS WILL VOID ANY U.L. LISTING.

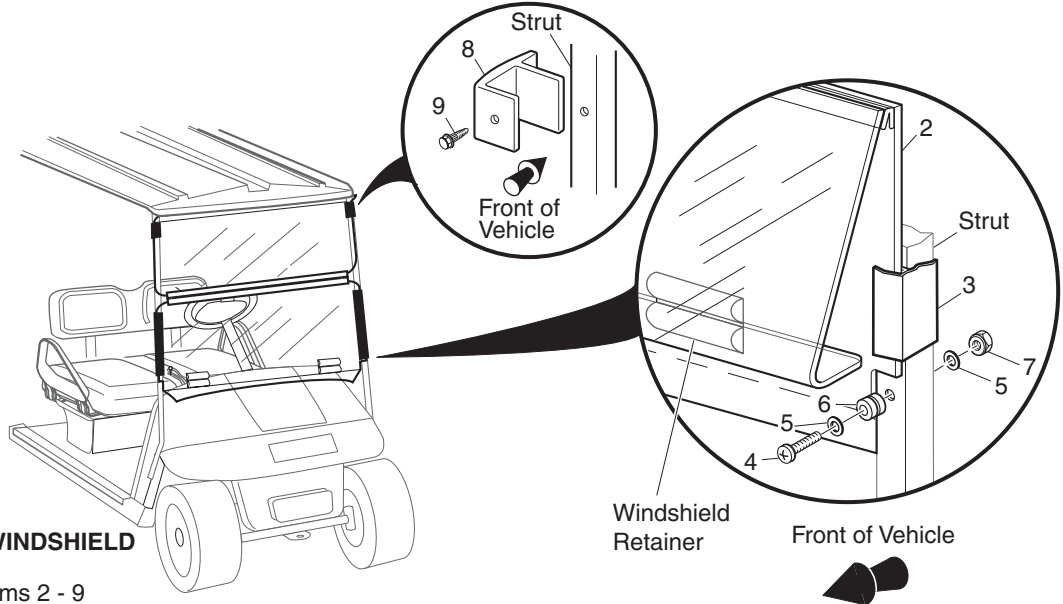
When ordering parts, please specify the model and serial number of the product.

* Indicates a component that is not available as an individual part.

G** Indicates consult Customer Service Department for additional information.

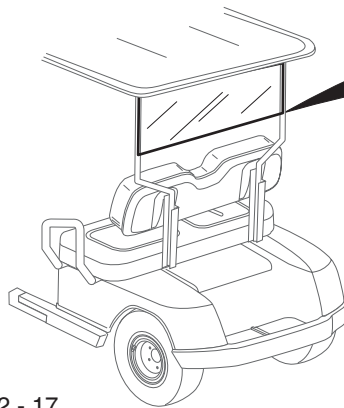
ITEM	PART NO.	1	2	3	4	5	DESCRIPTION	QTY.
31	26885-G01						PULLEY	1
32	26886-G01						NUT AND SCREW ASSEMBLY (INCLUDES ITEMS 33 - 37).....	1
33	*						NUT	1
34	*						LOCK WASHER	1
35	*						SCREW	3
36	*						SCREW	4
37	*						SCREW	2
38	26887-G01						BRUSH 1 COVER.....	3
39	26888-G01						BRUSH 2 COVER.....	2
40	26889-G01						BOLT AND WASHER ASSEMBLY (INCLUDES ITEMS 41 - 43).....	2
41	*						BOLT	2
42	*						LOCK WASHER	2
43	*						WASHER.....	2
44								
45								
46								
47	00938-G4						BOLT, 1/2 - 13 X 8" LG	1
48	00560-G3						WASHER, 1/2"	2
49	00566-G3						LOCK WASHER, 1/2"	1
50	00533-G1						NUT, 1/2 - 13	1
51								
52	28617-G01						STARTER / GENERATOR ADJUSTER.....	1
53	00544-G5						JAM NUT, 3/8 - 16	1
54	00532-G5						NUT, 3/8 - 16	1
55	00560-G1						WASHER, 3/8"	1
56	12064-G4						PUSH NUT, 5/16"	1
57								
58	26414-G01						STARTER / GENERATOR BELT	1

WEATHER PROTECTION



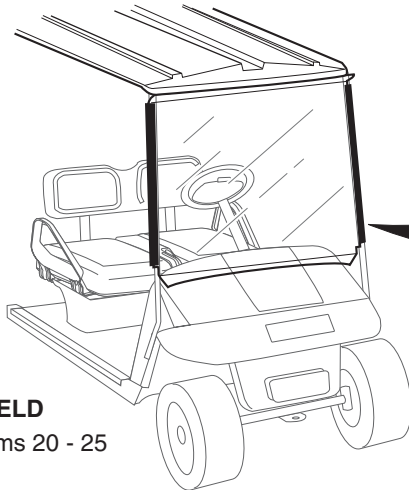
FOLD DOWN WINDSHIELD

1 - Includes Items 2 - 9



REAR WINDSHIELD

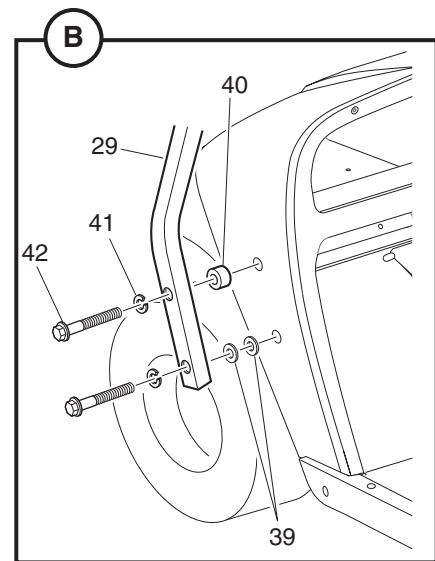
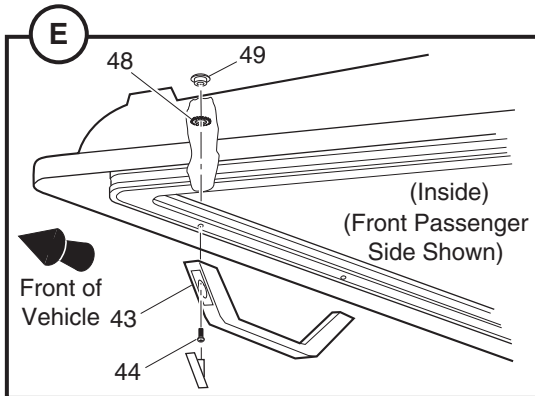
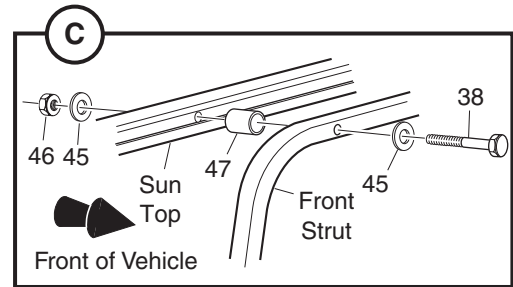
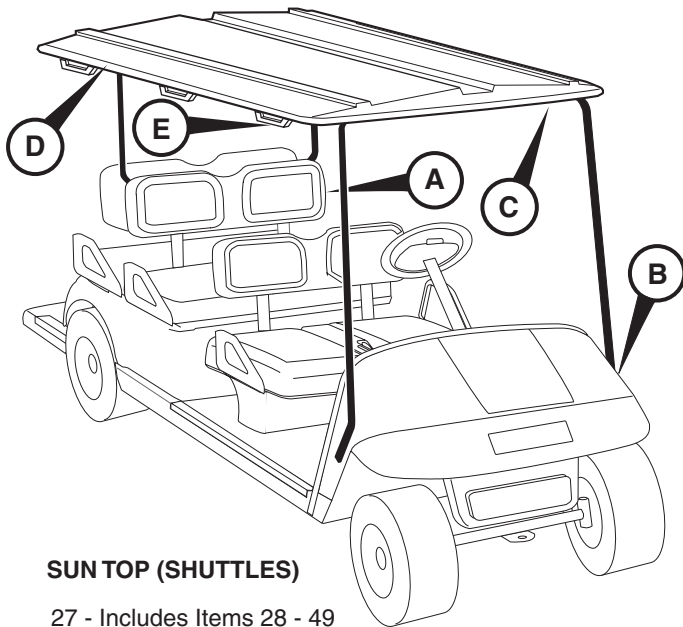
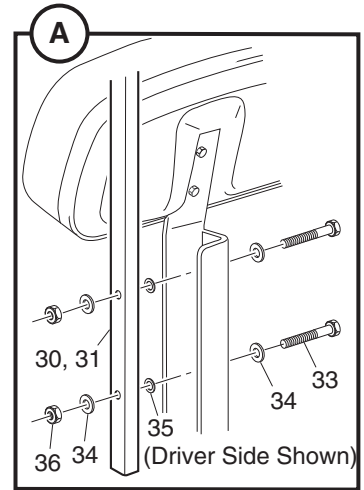
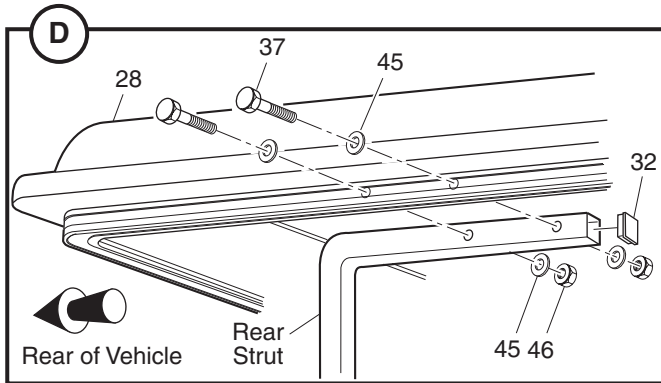
11 - Includes Items 12 - 17



FULL WINDSHIELD

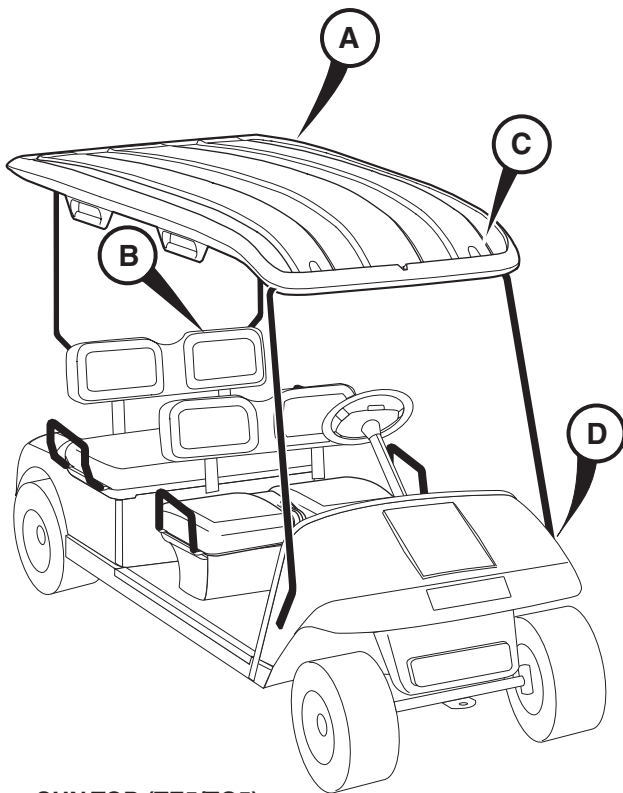
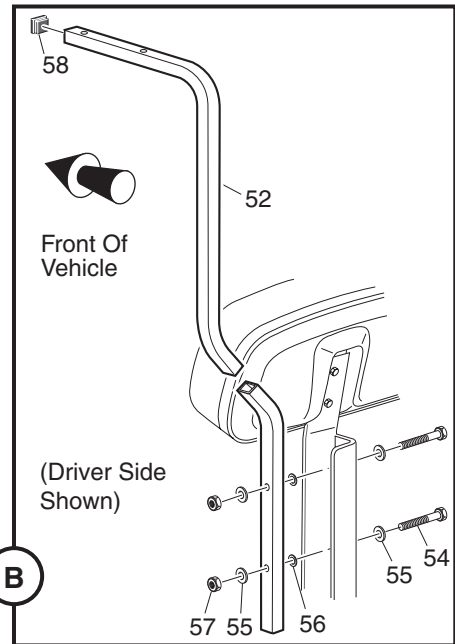
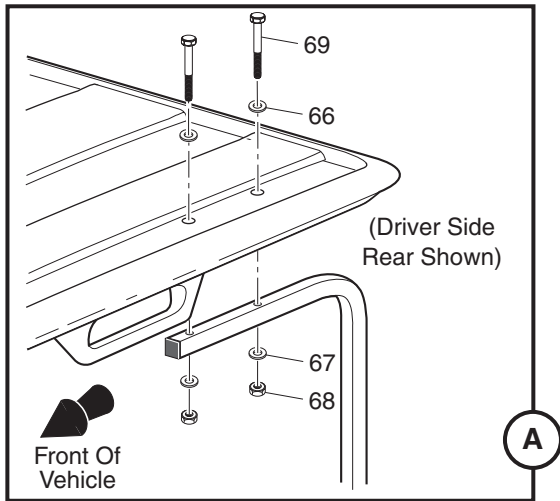
19 - Includes Items 20 - 25

Ref Wea 7-1



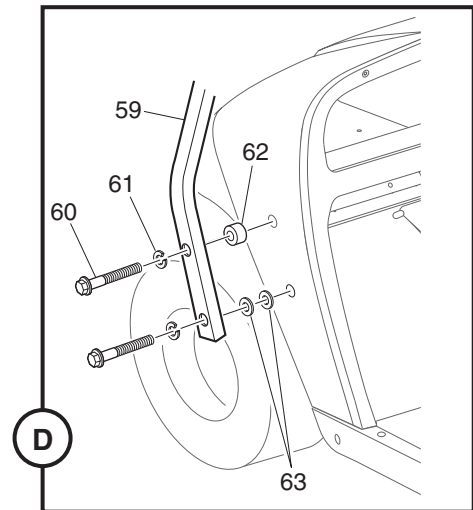
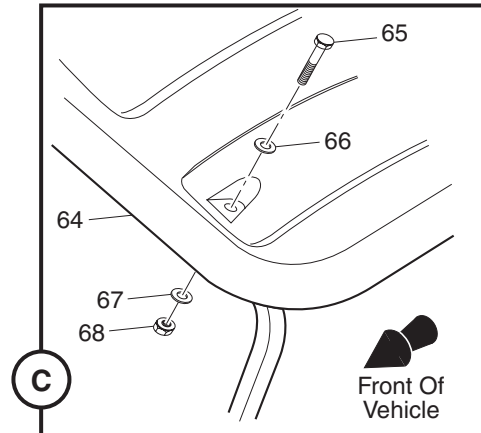
Ref Wea 7-2

WEATHER PROTECTION



SUN TOP (TE5/TG5)

51 - Includes Items 52 - 69



WEATHER PROTECTION

THE USE OF NON U.L. PARTS WILL VOID ANY U.L. LISTING.

When ordering parts, please specify the model and serial number of the product.

* Indicates a component that is not available as an individual part.

G** Indicates consult Customer Service Department for additional information.

ITEM	PART NO.	1 2 3 4 5	DESCRIPTION	QTY.
1	75534-G01		WINDSHIELD KIT, FOLD DOWN (INCLUDES ITEMS 2 - 9).....	1
2	E950WSB3		FOLD DOWN WINDSHIELD	1
3	EGWHC24		SASH, 3/4" X 14" LG	2
4	EGWHS12		SCREW, 1/4 - 20 X 1 3/4" LG (STAINLESS STEEL).....	2
5	EGWHW12		WASHER, 1/4" (STAINLESS STEEL).....	4
6	EGWHG13		RUBBER GROMMET	2
7	EGWHN12		LOCK NUT, 1/4 - 20 (STAINLESS STEEL).....	2
8	137-010		TOP GRIP	2
9	136-008		FASTENER	2
10				
11	75535-G01		WINDSHIELD KIT, REAR (INCLUDES ITEMS 12 - 17).....	1
12	EIRWFB3		REAR WINDSHIELD	1
13	EGWHC14		SASH, 1" X 15 9/16" LG	2
14	EGWHS14		SCREW, 1/4 - 20 X 2" LG (STAINLESS STEEL).....	2
15	EGWHW13		WASHER, 1/4" (STAINLESS STEEL).....	6
16	EGWHG13		RUBBER GROMMET	2
17	EGWHN13		LOCK NUT, 1/4 - 20 (STAINLESS STEEL).....	2
18				
19	75536-G01		WINDSHIELD KIT, FULL (INCLUDES ITEMS 20 - 25).....	1
20	EISWFB3		FULL, WINDSHIELD.....	1
21	EGWHC13		SASH, 3/4" X 22 7/16" LG	2
22	EGWHS13		SCREW, 1/4 - 20 X 1 3/4" LG (STAINLESS STEEL).....	2
23	EGWHW13		WASHER, 1/4" (STAINLESS STEEL).....	4
24	EGWHG13		RUBBER GROMMET	2
25	EGWHN13		LOCK NUT, 1/4 - 20 (STAINLESS STEEL).....	2
26				
27	75282-G0*		SUN TOP KIT (SHUTTLE) (INCLUDES ITEMS 28 - 49)	1
28	75271-G0*		SUN TOP	1
29	75045-G03		FRONT STRUT.....	1
30	75274-G01		REAR STRUT (DRIVER SIDE).....	1

WEATHER PROTECTION

THE USE OF NON U.L. PARTS WILL VOID ANY U.L. LISTING.
 When ordering parts, please specify the model and serial number of the product.
 * Indicates a component that is not available as an individual part.
 G** Indicates consult Customer Service Department for additional information.

ITEM	PART NO.	1	2	3	4	5	DESCRIPTION	QTY.
31	75274-G02						REAR STRUT (PASSENGER SIDE)	1
32	19853-G1						END CAP, 1"	2
33	00665-G5						BOLT, 3/8 - 16 X 1 3/4" LG (STAINLESS STEEL)	4
34	00679-G1						WASHER, 3/8" (STAINLESS STEEL).....	8
35	00771-G5						NYLON WASHER, 3/8".....	4
36	00891-G5						LOCK NUT, 3/8 - 16.....	4
37	00440-G4						BOLT, 5/16 - 18 X 2 1/2" LG.....	4
38	00441-G2						BOLT, 5/16 - 18 X 3 1/4" LG.....	2
39	00879-G1						WASHER, 3/8"	4
40	75048-G01						SPACER, 1/2"	2
41	00905-G8						LOCK WASHER, 5/16"	4
42	01035-G01						BOLT, 5/16 - 18 X 2 1/4" LG.....	4
43	75240-G01						HANDLE	5
44	00163-G2						SCREW, 1/4 - 20 X 1 1/4" LG	10
45	00642-G8						WASHER, 5/16"	12
46	01109-G01						LOCK NUT, 5/16 - 18 (STAINLESS STEEL).....	6
47	18716-G2						SPACER, 1"	2
48	00567-G8						LOCK WASHER, 5/16"	10
49	01010-G01						TEE NUT, 1/4 - 20.....	10
50								
51	75485-G01						SUN TOP KIT (TE5/TG5) (INCLUDES ITEMS 52 - 69)	1
52	75487-G02						REAR SUPPORT (DRIVER SIDE)	1
53	75487-G01						REAR SUPPORT (PASSENGER SIDE).....	1
54	00665-G5						BOLT, 3/8 - 16 X 1 3/4" LG (STAINLESS STEEL)	4
55	00679-G1						WASHER, 3/8" (STAINLESS STEEL).....	8
56	00771-G5						NYLON WASHER, 3/8".....	4
57	00891-G5						LOCK NUT, 3/8 - 16.....	4
58	19853-G1						END CAP, 1"	2
59	75488-G01						FRONT SUPPORT	1
60	01035-G01						BOLT, 5/16 - 18 X 2 1/4" LG.....	4

WEATHER PROTECTION

THE USE OF NON U.L. PARTS WILL VOID ANY U.L. LISTING.

When ordering parts, please specify the model and serial number of the product.

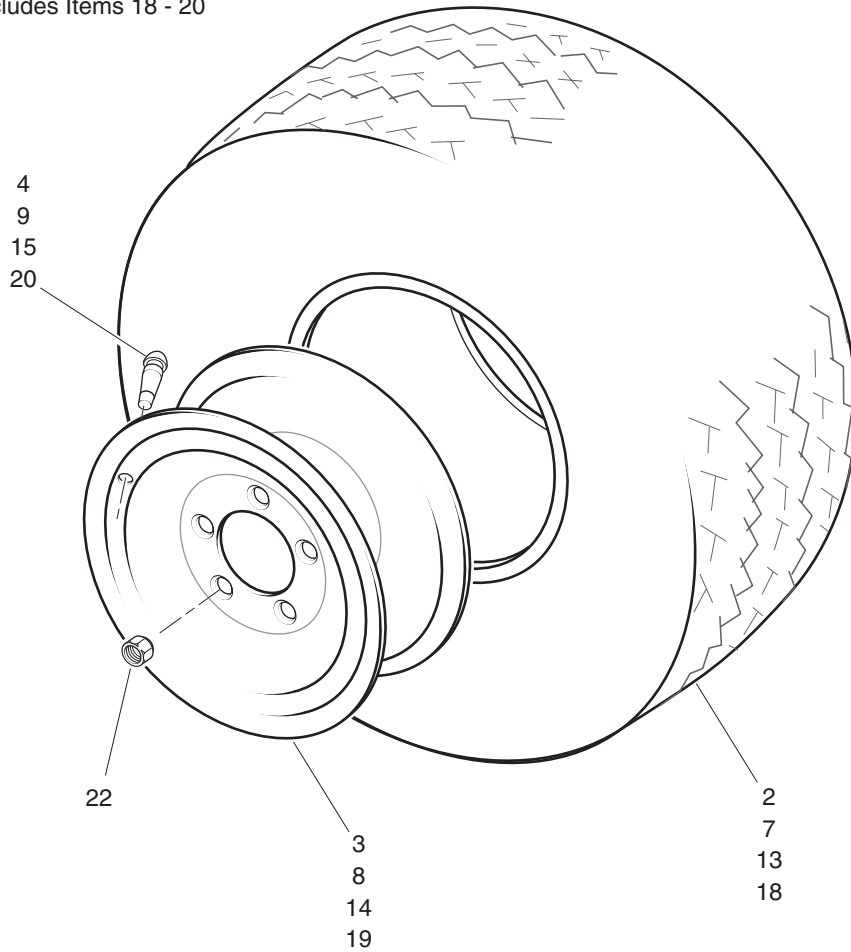
* Indicates a component that is not available as an individual part.

G** Indicates consult Customer Service Department for additional information.

ITEM	PART NO.	1	2	3	4	5	DESCRIPTION	QTY.
61	00905-G8						LOCK WASHER, 5/16"	4
62	75048-G01						SPACER, 1/2"	2
63	00879-G1						LOCK WASHER, 3/8"	4
64	74374-G01						SUN TOP	1
65	00685-G10						BOLT, 5/16 - 18 X 2 3/4" LG (STAINLESS STEEL)	2
66	00907-G2						WASHER, 5/16" (STAINLESS STEEL).....	6
67	00660-G8						WASHER, 5/16" (STAINLESS STEEL).....	6
68	01109-G01						LOCK NUT, 5/16 - 18 (STAINLESS STEEL).....	6
69	00685-G11						BOLT, 5/16 - 18 X 3 1/4" LG (STAINLESS STEEL)	4

WHEELS AND TIRES

- 1 - Includes Items 2 - 4
- 6 - Includes Items 7 - 9
- 12 - Includes Items 13 - 15
- 17 - Includes Items 18 - 20



6"CHROME HUBCAP
24



8"CHROME HUBCAP
25



GOLD / SILVER SPOKE HUBCAP
26, 27

Ref Whl 8

WHEELS AND TIRES

Where applicable, THE USE OF NON UL PARTS WILL VOID ANY UL LISTING.
 When ordering parts, please specify the model and serial number of the product.
 * Indicates a component that is not available as an individual part.
 G** Indicates consult Customer Service Department for additional information.

ITEM	PART NO.	1	2	3	4	5	DESCRIPTION	QTY.
1	27772-G09						TIRE AND WHEEL, 18.5 X 8.5 - 8, 4 PLY RATING (SHUTTLE, STANDARD) ...	AR
2	27772-G10						18.5 X 8.5 - 8 CARLISLE TIRE (LINKS1)	AR
3	15169-G1						WHEEL RIM, 4 LUG	AR
4	11657-G2						VALVE STEM	AR
5								
6	27775-G01						TIRE AND WHEEL, 18.5 X 8.5 - 8, 6 PLY RATING (SHUTTLE, OPTIONAL)	AR
7	27775-G02						18.5 X 8.5 - 8 CARLISLE TIRE (USA TRAIL)	AR
8	15169-G2						WHEEL RIM, 4 LUG	AR
9	11657-G2						VALVE STEM	AR
10								
11								
12	27772-G11						TIRE AND WHEEL, 18.5 X 8.5 - 8, 4 PLY RATING (TG5, STANDARD)	AR
13	27772-G10						18.5 X 8.5 - 8 CARLISLE TIRE (LINKS1)	AR
14	10641-G1						WHEEL RIM, 5 LUG	AR
15	11657-G2						VALVE STEM	AR
16								
17	32028-G2						TIRE AND WHEEL, 18.5 X 8.5 - 8, 6 PLY RATING (TG5, OPTIONAL)	AR
18	27775-G02						18.5 X 8.5 - 8 CARLISLE TIRE (USA TRAIL)	AR
19	10641-G2						WHEEL RIM, 5 LUG	AR
20	11657-G2						VALVE STEM	AR
21								
22	14723-G1						LUG NUT, 1/2 - 20	AR
23								
24	16042-G*						6" CHROME WHEEL CAP	AR
25	14913-G*						8" CHROME WHEEL COVER	AR
26	19241-G*						SILVER SPOKE WHEEL COVER	AR
27	19241-G*						GOLD SPOKE WHEEL COVER	AR

WHEELS AND TIRES

SPECIALTY PRODUCTS

SPECIALTY PRODUCTS

SPECIAL TOOLS	PART NO.
HIGH RESISTANCE SPARK PLUG WIRE SET	26733-G02
CLUTCH PULLER (DRIVE)	19779-G2
FLYWHEEL PULLER	27111-G01
CURRENT INDICATOR	16489-G2
DIGITAL MULTI-METER	27481-G01
SLIDE HAMMER (AXLE/HUB REMOVAL)	15947-G1
SLIDE HAMMER (AXLE REMOVAL ONLY)	18753-G1
COMPRESSION TESTER	72524-G01
FEELER GAUGE	72525-G01
TACHOMETER	72526-G01

ENGINE OIL	PART NO.
4 CYCLE ENGINE OIL, 5 GALLON (19 LITER)	25730-G03
4 CYCLE ENGINE OIL, 12 QUART CASE	25730-G04
4 CYCLE ENGINE OIL, 1 QUART BOTTLE (950 ML)	25730-G06

TOUCH UP PAINT	PART NO.
PEN 3 OUNCE (89 ML) - HUNTER GREEN	28432-G02
PEN 3 OUNCE (89 ML) - CHAMPAGNE BEIGE	28432-G01
PEN 3 OUNCE (89 ML) - WHITE	28432-G05
PEN 3 OUNCE (89 ML) - INDUSTRIAL YELLOW	28432-G03
PEN 3 OUNCE (89 ML) - ORANGE	28432-G04
PEN 3 OUNCE (89 ML) - STEEL BLUE PEARL	28432-G**
PEN 3 OUNCE (89 ML) - CAMOUFLAGE PAINT (THREE PENS)	75831-G01
AEROSOL 12 OUNCE (360 ML) - HUNTER GREEN	28140-G09
AEROSOL 12 OUNCE (360 ML) - CHAMPAGNE BEIGE	28140-G15
AEROSOL 12 OUNCE (360 ML) - WHITE	28140-G03
AEROSOL 12 OUNCE (360 ML) - INDUSTRIAL YELLOW	28140-G14
AEROSOL 12 OUNCE (360 ML) - ORANGE	28140-G13
AEROSOL 12 OUNCE (360 ML) - STEEL BLUE PEARL	28140-G**

SPECIALTY PRODUCTS

MAINTENANCE PRODUCTS	PART NO.
FORMULA 40 VINYL-COAT® - WHITE	28166-G01
PLEXUS® CLEANER, 7 OUNCE (210 ML) (FOR WINDSHIELDS)	28433-G01
PLEXUS® CLEANER, 13 OUNCE (380 ML) (FOR WINDSHIELDS)	28433-G02
BATTERY PROTECTOR, 14 OUNCE (410 ML) SPRAY	75500-G01
CARBURETOR & CHOKE CLEANER, 15 OUNCE (440 ML) SPRAY	75501-G01
WHITE LITHIUM GREASE, 14 OUNCE (410 ML) SPRAY	75502-G01
PENETRANT/LUBRICANT, 15 OUNCE (440 ML) SPRAY	75503-G01
MULTI-PURPOSE CLEANER & DEGREASER, 14 OUNCE (410 ML) SPRAY	75504-G01
MULTI-PURPOSE HAND CLEANER, 32 OUNCE (950 ML) LIQUID	75505-G01
BATTERY CLEANER, 32 OUNCE (950 ML) WITH TRIGGER SPRAYER	75506-G01
BIO-DEGRADABLE CLEANER, 32 OUNCE (950 ML) WITH TRIGGER SPRAYER	75507-G01
MULTI-PURPOSE VALUE PACK.....	75508-G01
• BATTERY PROTECTOR, 4 OUNCE (120 ML) SPRAY	
• PENETRANT/LUBRICANT, 4 OUNCE (120 ML) SPRAY	
• WHITE LITHIUM GREASE, 4 OUNCE (120 ML) SPRAY	
• CARBURETOR & CHOKE CLEANER, 4 OUNCE (120 ML) SPRAY	

OPTIONS/ACCESSORIES

OPTIONS/ACCESSORIES

ITEM	KIT NO.	COMMENTS
ACCESSORIES LISTING	KIT NO.	SECTION
CHROME HUB CAP 8"	14913-G1	WHEELS AND TIRES
CHROME HUB CAP 6"	16042-G1	WHEELS AND TIRES
SILVER SPOKE WHEEL COVERS	19241-G1	WHEELS AND TIRES
GOLD SPOKE WHEEL COVERS	19241-G2	WHEELS AND TIRES
HOUR METER	75114-G02	ELECTRICAL
WINDSHIELD, FOLD DOWN (REQUIRES SUN TOP)	75534-G01	WEATHER PROTECTION
WINDSHIELD, REAR (REQUIRES SUN TOP)	75535-G01	WEATHER PROTECTION
WINDSHIELD, FULL (REQUIRES SUN TOP)	75536-G01	WEATHER PROTECTION
 SHUTTLES		
SUN TOP, 118", WHITE (INCLUDES HANDLES)	75282-G01	WEATHER PROTECTION
SUN TOP, 118", CHAMPAGNE (INCLUDES HANDLES)	75282-G02	WEATHER PROTECTION
TURN SIGNAL	75107-G02	ELECTRICAL
ASH TRAY	75109-G02	SEATING
CONVERTIBLE CARRIER	75278-G0*	BODY
 TG5		
CENTER BASKET	75003-G02	
SUN TOP	75485-G01	WEATHER PROTECTION

INDEX OF MAJOR COMPONENTS

INDEX OF MAJOR COMPONENTS

BY PART DESCRIPTION



A Textron Company

E-Z-GO Division of Textron, Inc.
P.O. Box 388 Augusta, Georgia 30903-0388 USA
Inside USA Phone: 1-800-241-5855, FAX: 1-800-448-8124
Outside USA Phone: 010-1-706-798-4311, FAX: 010-1-706-771-4609

Copyrighted Material
This manual may not be reproduced in whole or
in part without the express permission of
E-Z-GO Division of Textron, Inc.
Technical Communications Department