

28811-G01



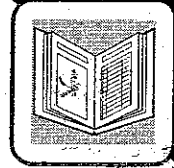
A Textron Company

**CUSHMAN**

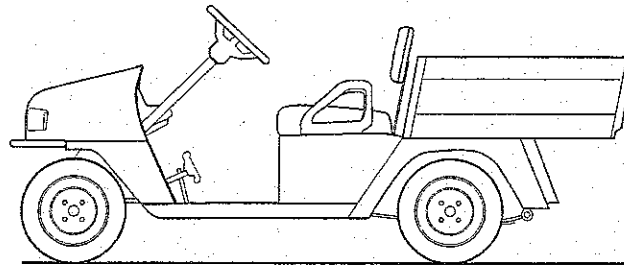
A Textron Company

**JACOBSEN**

A Textron Company



# SERVICE PARTS MANUAL



Ref Fcv 23

## **GASOLINE POWERED UTILITY VEHICLE**

STARTING MODEL YEAR: 2004

REVISED: 2/26/04

# **SERVICE PARTS MANUAL**

## **GASOLINE POWERED UTILITY VEHICLES**

**MPT<sup>®</sup> 800**

**INDUSTRIAL 800**

**COMMANDER<sup>™</sup> 280**

**HAULER<sup>™</sup> 800**

E-Z-GO Division of TEXTRON, Inc. reserves the right to make design changes without obligation to make these changes on units previously sold and the information contained in this manual is subject to change without notice.

E-Z-GO Division of TEXTRON, Inc. is not liable for errors in this manual or for incidental or consequential damages that result from the use of the material in this manual.

**CUSTOMER SERVICE DEPARTMENT IN USA PHONE: 1-800-241-5855 FAX: 1-800-448-8124**

**OUTSIDE USA PHONE: 010-1-706-798-4311, FAX: 010-1-706-771-4609**

**E-Z-GO DIVISION OF TEXTRON, INC., P.O. BOX 388, AUGUSTA, GEORGIA USA 30903-0388**

## **NOTES**

To obtain a copy of the limited warranty applicable to the vehicle, call or write a local Distributor, authorized Branch or the Warranty Department with vehicle serial number and manufacturer code.

The use of non Original Equipment Manufacturer (OEM) parts may void the warranty.

Tampering with or adjusting the governor to permit vehicle to operate at above factory specifications will void the vehicle warranty.

When servicing engines, all adjustments and replacement components must be per original vehicle specifications in order to maintain the United States of America Federal and State emission certification applicable at the time of manufacture.

### **BATTERY PROLONGED STORAGE**

All batteries will self discharge over time. The rate of self discharge varies depending on the ambient temperature and the age and condition of the batteries.

A fully charged battery will not freeze in winter temperatures unless the temperature falls below -75° F (-60° C).

# TABLE OF CONTENTS

<b>SECTION</b>	<b>Page No.</b>
HOW TO USE THE SERVICE PARTS MANUAL .....	v
ILLUSTRATED PARTS BREAKDOWN .....	vii
ACCELERATOR - ALL CABLES .....	A-1
AIR FILTER .....	B-1
BODY .....	C-1
BRAKES .....	D-1
BRAKES - FRONT DISC .....	E-1
CAB .....	F-1
CARBURETOR AND CHOKE .....	G-1
CLUTCH .....	H-1
DIRECTION SELECTOR .....	I-1
ELECTRICAL SYSTEM .....	J-1
ENGINE AND MUFFLER .....	K-1
ENGINE MOUNTING .....	L-1
FRONT SUSPENSION/STEERING .....	M-1
FUEL SYSTEM .....	N-1
REAR AXLE .....	O-1
REAR SUSPENSION .....	P-1
SEATING .....	Q-1
STARTER / GENERATOR .....	R-1
TRUCK BED, MANUAL LIFT .....	S-1
TRUCK BED, ELECTRIC LIFT .....	T-1
TRUCK BED, REFRESHER COOLER .....	U-1
WEATHER PROTECTION .....	V-1
WHEELS AND TIRES .....	W-1
SPECIALTY PRODUCTS .....	APPENDIX A-1
OPTIONS/ACCESSORIES .....	APPENDIX B-1



# HOW TO USE THE SERVICE PARTS MANUAL

This manual is divided into several sections:

## GENERAL INFORMATION

- TABLE OF CONTENTS
- HOW TO USE THE SERVICE PARTS MANUAL

## ILLUSTRATED PARTS BREAKDOWN

- Contains illustrations and parts lists for all systems of the vehicle

## APPENDIX

- Contains a listing of specialty products and options/accessories

## INDEX OF MAJOR COMPONENTS

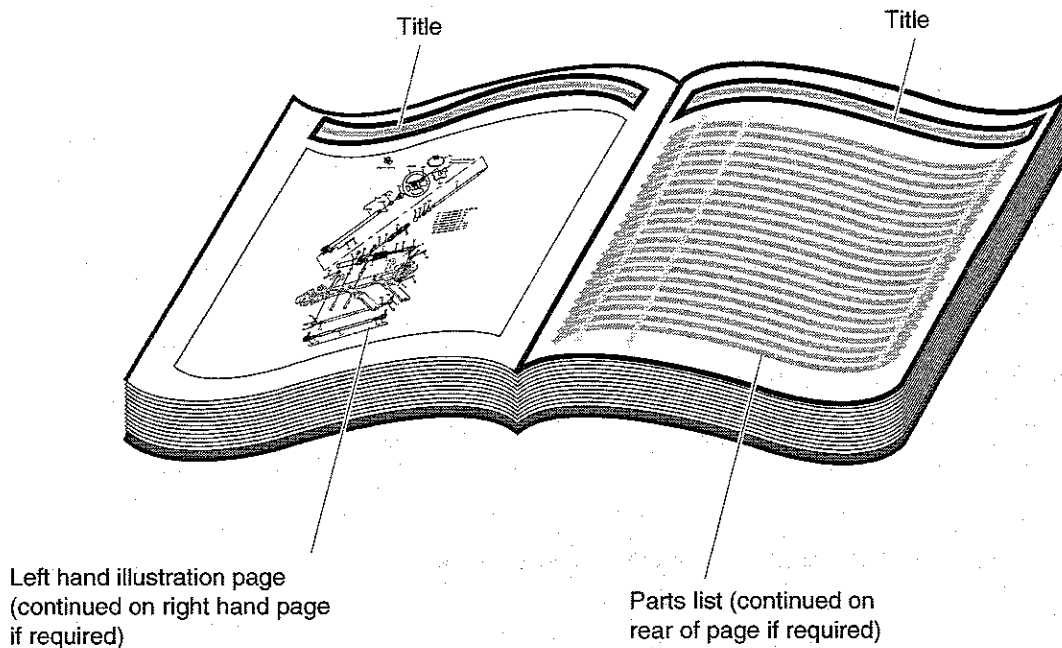
- Contains a listing of parts (excluding hardware) grouped by part number and description and indicates on which page(s) they can be found

## USE OF THE MANUAL

To use this manual, consult the TABLE OF CONTENTS (page iii) or the INDEX OF MAJOR COMPONENTS (located at rear of this manual) to locate the information or illustration required.

Introduction of some revisions varies due to supply of components; therefore, it is possible that various combinations of components may be found that are not directly reflected by each illustration. Consult the illustration that best suits your situation. Locate the serial number plate (see BODY located in the Illustrated Parts Breakdown section of this manual for its location) and note the complete number shown on the plate. It is important that the serial number of your vehicle and its model number be supplied to Service Parts when ordering any replacement components.

# HOW TO USE THE SERVICE PARTS MANUAL



## 1. WHEN THE PART NUMBER IS NOT KNOWN

- Determine the function and application of the part required. Turn to the INDEX OF MAJOR COMPONENTS and select the most appropriate component description.
- Turn to the page number indicated and locate the part description in the parts list. Read the full accompanying description for specific information regarding the part that was not shown in the index.
- From the parts list, obtain the item number assigned to it and confirm that the part selected is correct by verifying it with the pictorial representation on the illustrated page.

## 2. IF YOU KNOW THE PART NUMBER

- Use the INDEX OF MAJOR COMPONENTS to find the page(s) the part number appears on.
- Turn to the page number indicated and locate the part number in the parts list. Refer to the accompanying description for specific information regarding the part.
- From the parts list, obtain the item number assigned to it and confirm that the part selected is correct by verifying it with the pictorial representation on the illustrated page.

Should an asterisk (\*) appear in the part number column on the parts list page, read upwards until a part number is found. The part number is the lowest assembly sold by Service Parts. The asterisk (\*) indicates that the part depicted is not available for purchase.

**NOTE:** Descriptions are indented under the assembly that they are used on. That assembly is, in turn listed under the assembly that it is used on. This process is repeated until the highest final assembly is reached.

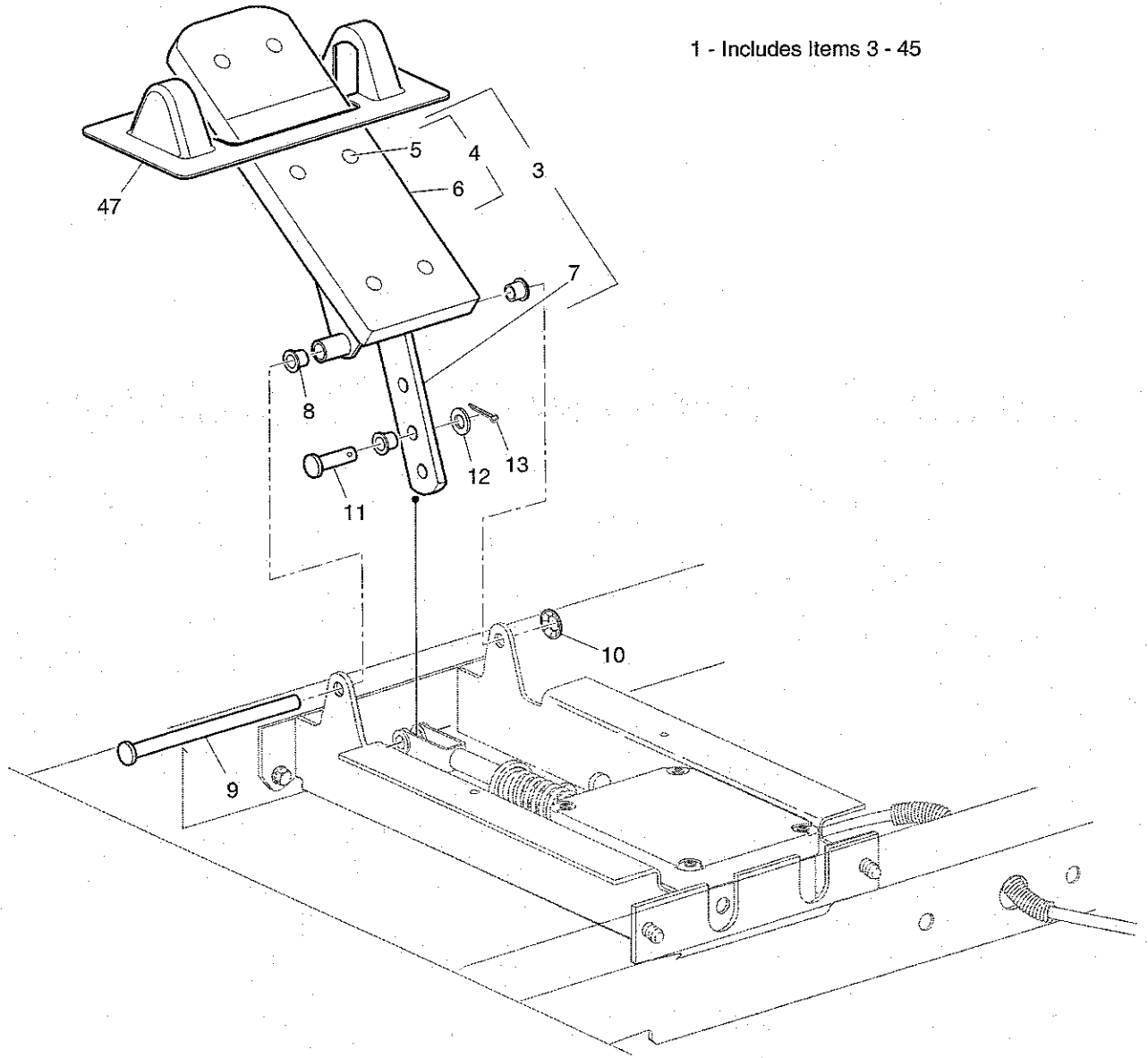
**To facilitate the maintenance and repair of the vehicle, a Technician's Repair and Service Manual is available from the Service Parts Department.**

# **ILLUSTRATED PARTS BREAKDOWN**

# **ILLUSTRATED PARTS BREAKDOWN**



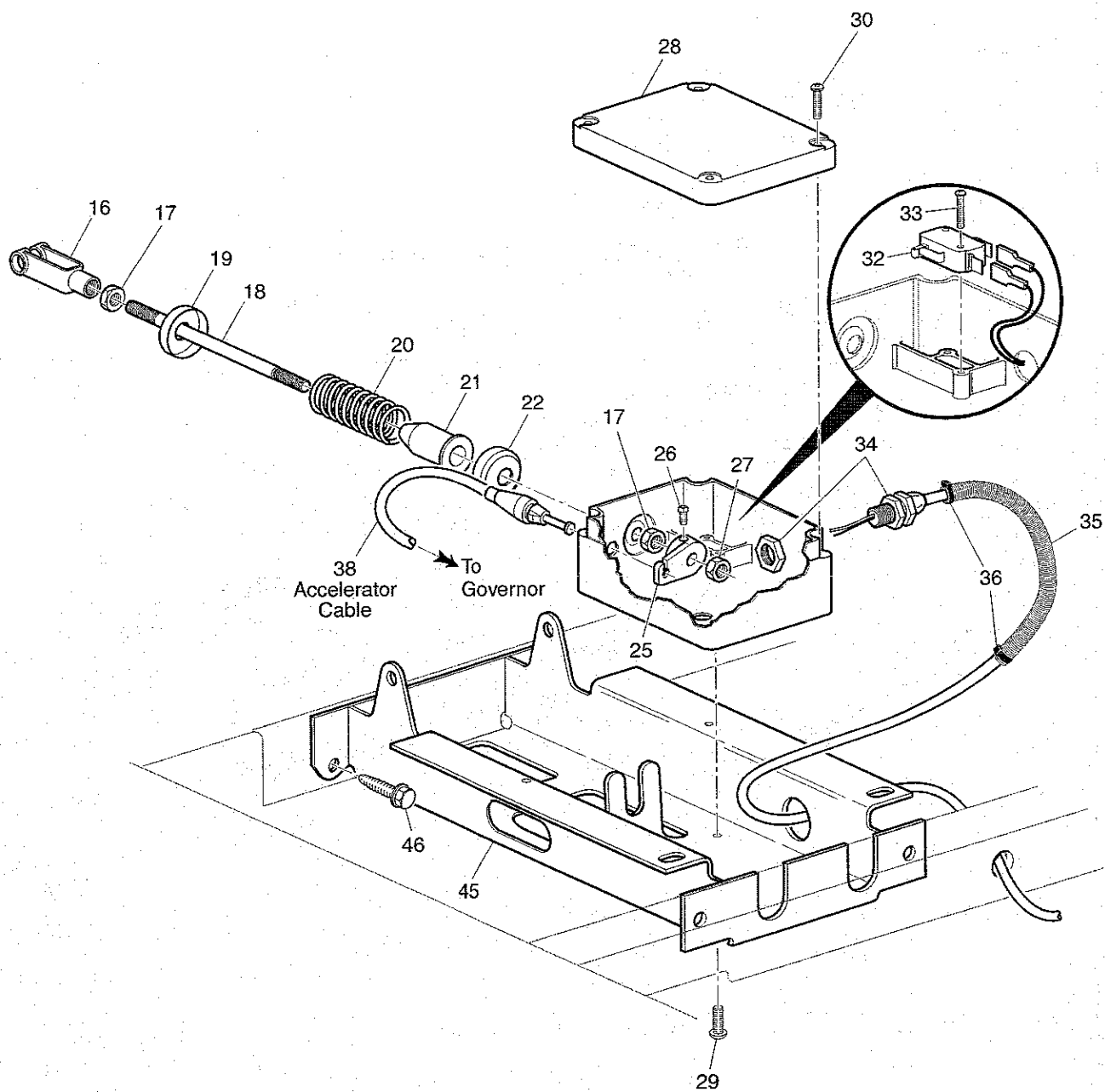
# ACCELERATOR - ALL CABLES



1 - Includes Items 3 - 45

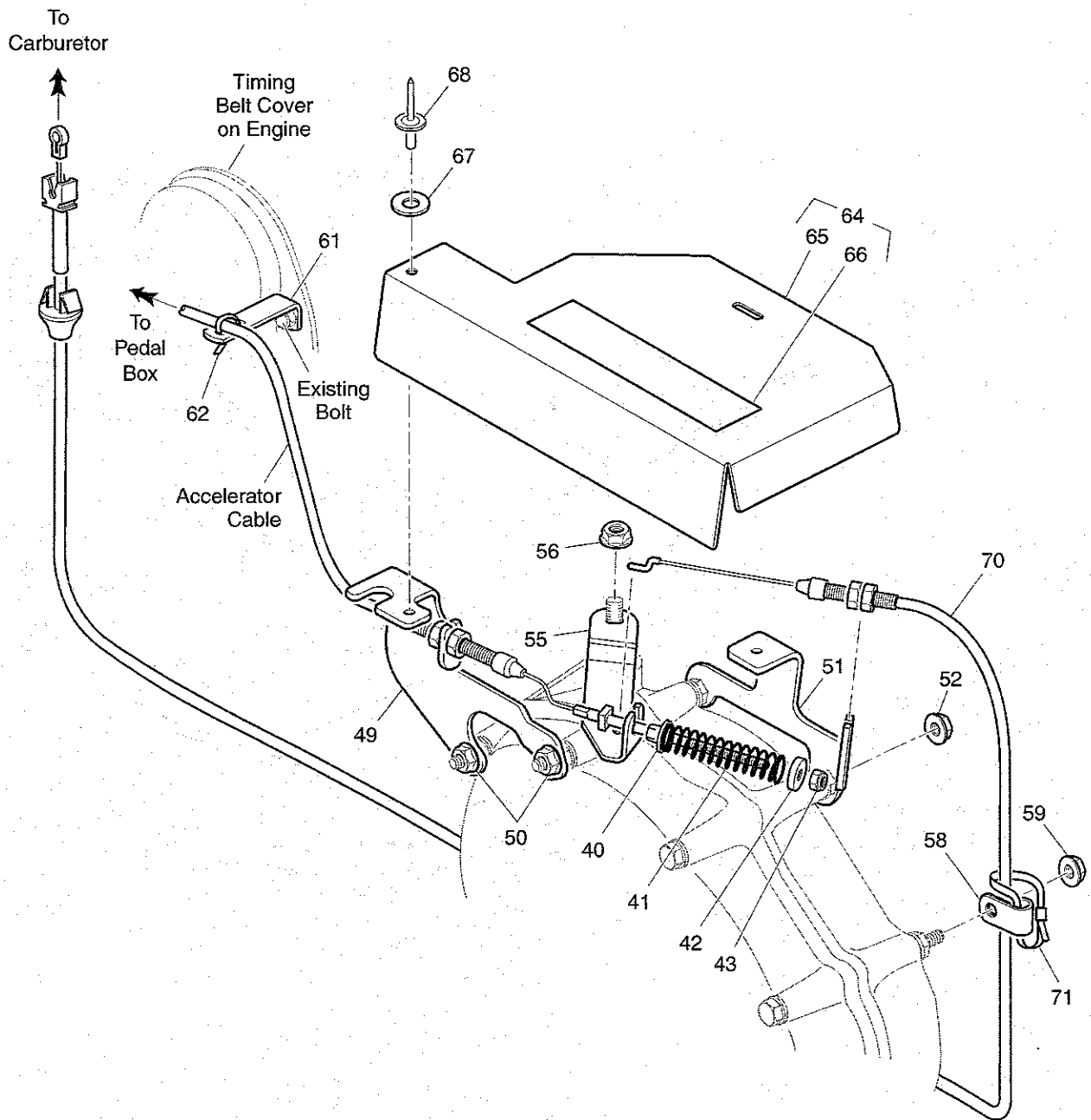
Ref Acc 5-1

# ACCELERATOR - ALL CABLES



Ref Acc 21-2

# ACCELERATOR - ALL CABLES



Ref Acc 5-3

## ACCELERATOR - ALL CABLES

When ordering parts, please specify the model and serial number of the product.

\* Indicates a component that is not available as an individual part.

G\*\* Indicates consult Customer Service Department for additional information.

ITEM	PART NO.	1	2	3	4	5	DESCRIPTION	QTY.
1	72717-G06						PEDAL BOX ASSEMBLY (INCLUDES ITEMS 3 - 45) .....	1
2								
3	25799-G03						ACCELERATOR PEDAL ASSEMBLY (INCLUDES ITEMS 4 - 7).....	1
4	27844-G01						ACCELERATOR PEDAL PAD KIT (INCLUDES ITEMS 5 - 6).....	1
5	15766-G1						OVAL RIVET, 3/16" X 3/8" LG.....	6
6	27512-G01						ACCELERATOR PEDAL PAD .....	1
7	*						ACCELERATOR PEDAL .....	1
8	17838-G1						NYLON BUSHING .....	3
9	74432-G01						PEDAL PIVOT PIN .....	1
10	12064-G6						PUSH NUT, 9/32".....	1
11	10386-G3						CLEVIS PIN, 5/16" X 1" LG .....	1
12	17255-G1						TEFLON WASHER, 5/16".....	1
13	10387-G3						COTTER PIN, 3/32" X 3/4" LG .....	1
14								
15								
16	10385-G4						CLEVIS YOKE (ADJUSTABLE).....	1
17	00532-G4						LOCK NUT, 5/16 - 24.....	2
18	72072-G01						ACCELERATOR ROD .....	1
19	17677-G2						SPRING RETAINER .....	1
20	73046-G01						COMPRESSION SPRING .....	1
21	17979-G1						ACCELERATOR ROD BUSHING.....	1
22	17677-G1						SPRING RETAINER .....	1
23								
24								
25	72716-G01						MICRO SWITCH CAM .....	1
26	00487-G3						SETSCREW, 1/4 - 20 X 3/8" LG. ....	1
27	00550-G4						LOCK NUT, 5/16 - 24.....	1
28	25853-G03						PEDAL BOX AND COVER .....	1
29	01051-G01						SCREW, #8 - 16 X 1/2" LG. ....	4
30	00684-G6						SCREW, #8 - 32 X 3/4" LG. ....	4

# ACCELERATOR - ALL CABLES

When ordering parts, please specify the model and serial number of the product.

\* Indicates a component that is not available as an individual part.

G\*\* Indicates consult Customer Service Department for additional information.

ITEM	PART NO.	1	2	3	4	5	DESCRIPTION	QTY.
31								
32	25861-G01						MICRO SWITCH.....	1
33	01050-G01						SCREW, #4 - 20 X 5/8" LG .....	2
34	72201-G04						WIRE HARNESS (PEDAL BOX) .....	1
35	17313-G1						FLEX LOOM (BULK).....	AR
36	17618-G1						WIRE TIE .....	2
37								
38	72713-G01						ACCELERATOR CABLE .....	1
39								
40	72706-G01						ACCELERATOR CABLE BUSHING .....	1
41	72707-G01						COMPRESSION SPRING .....	1
42	25727-G02						CUP WASHER.....	1
43	00734-G5						LOCK NUT, #10 - 32.....	1
44								
45	70116-G02						ACCELERATOR PEDAL BRACKET.....	1
46	00715-G2						BOLT, 5/16 - 18 X 13/16" LG .....	4
47	70135-G01						PEDAL PIVOT COVER.....	1
48								
49	72701-G02						ACCELERATOR CABLE MOUNTING BRACKET .....	1
50	26830-G01						LOCK NUT, M8 X 1.25 MM .....	2
51	72703-G02						THROTTLE CABLE MOUNTING BRACKET .....	1
52	26830-G01						LOCK NUT, M8 X 1.25 MM .....	2
53								
54								
55	72708-G01						GOVERNOR ARM .....	1
56	26830-G01						LOCK NUT, M8 X 1.25 MM .....	1
57								
58	11845-G3						CLAMP.....	1
59	26830-G01						LOCK NUT, M8 X 1.25 MM .....	1
60								

## ACCELERATOR - ALL CABLES

When ordering parts, please specify the model and serial number of the product.

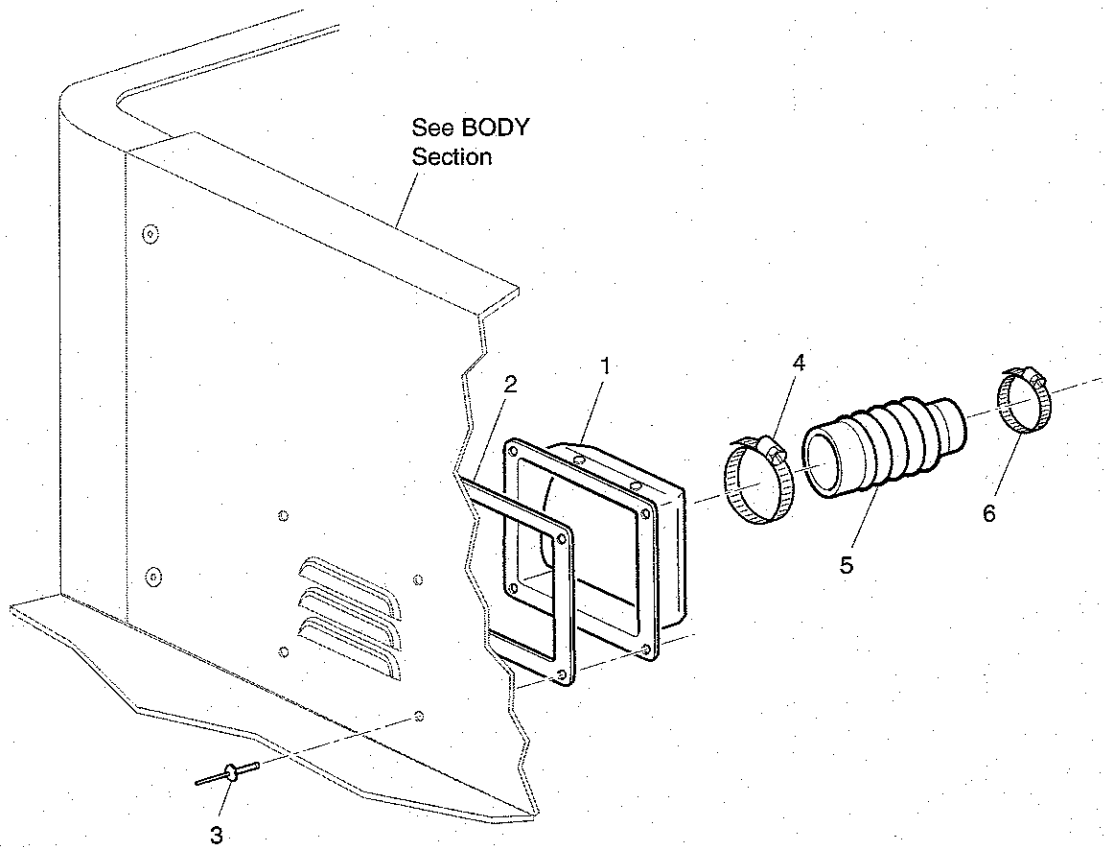
\* Indicates a component that is not available as an individual part.

G\*\* Indicates consult Customer Service Department for additional information.

ITEM	PART NO.	1	2	3	4	5	DESCRIPTION	QTY.
61	72055-G01						ACCELERATOR CABLE BRACKET .....	1
62	17618-G1						WIRE TIE .....	1
63								
64	74457-G01						GOVERNOR COVER/LABEL ASSEMBLY (INCLUDES ITEMS 65, 66).....	1
65	72705-G02						GOVERNOR COVER .....	1
66	24880-G01						LABEL (WARNING - GOVERNOR).....	1
67	00915-G1						BONDED WASHER, 1/4" .....	2
68	14601-G11						RIVET, 3/16" X 9/16" LG .....	2
69								
70	72714-G01						THROTTLE CABLE.....	1
71	17618-G1						WIRE TIE .....	1

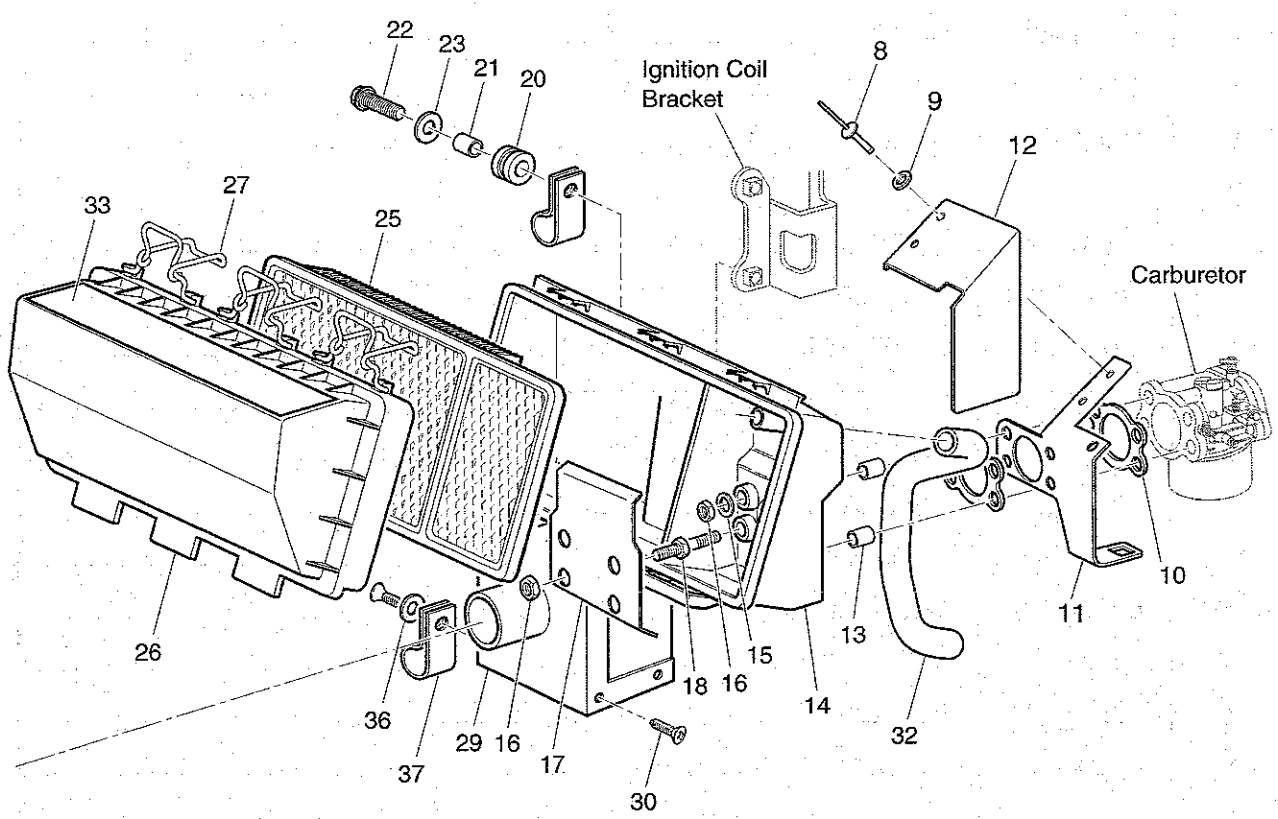
# AIR FILTER

Front of Vehicle



Ref Air 23-1

# AIR FILTER



Ref Air 23-2



# AIR FILTER

THE USE OF NON U.L. PARTS WILL VOID ANY U.L. LISTING.

When ordering parts, please specify the model and serial number of the product.

\* Indicates a component that is not available as an individual part.

G\*\* Indicates consult Customer Service Department for additional information.

ITEM	PART NO.	1 2 3 4 5	DESCRIPTION	QTY.
1	72416-G01		INLET ADAPTER .....	1
2	72415-G01		GASKET .....	1
3	71055-G01		RIVET, 3/16" X 3/8" LG .....	4
4	11391-G2		CLAMP, 2" .....	1
5	72367-G02		HOSE, 9" .....	1
6	11391-G5		HOSE CLAMP, 3/4" .....	1
7				
8	14601-G11		RIVET, 3/16" X 9/16" LG .....	2
9	00915-G1		WASHER, #14 ID .....	2
10	72710-G01		CARBURETOR / AIR BOX GASKET .....	2
11	74498-G02		CHOKE / THROTTLE BRACKET .....	1
12	74499-G02		CHOKE THROTTLE COVER .....	1
13	23726-G6		SPACER, 7/16" .....	4
14	72178-G02		HOUSING .....	1
15	00664-G7		LOCK WASHER, 6 MM .....	2
16	13632-G1		NUT, M6 X 1 .....	4
17	72529-G01		BAFFLE .....	1
18	72514-G01		STUD, M6 X 1 X 30 MM LG .....	2
19				
20	72147-G01		RUBBER GROMMET .....	2
21	23726-G7		SPACER, 9/16" .....	2
22	26671-G01		BOLT AND WASHER, M6 X 1 X 30 MM LG .....	2
23	26701-G01		WASHER, 6.5 MM .....	2
24				
25	72368-G01		AIR FILTER ELEMENT .....	1
26	72179-G02		AIR FILTER COVER .....	1
27	72145-G01		LATCH .....	3
28				
29	72146-G02		INLET COVER .....	1
30	00614-G5		SCREW, #8 - 18 X 5/8" LG .....	6

# AIR FILTER

THE USE OF NON U.L. PARTS WILL VOID ANY U.L. LISTING.

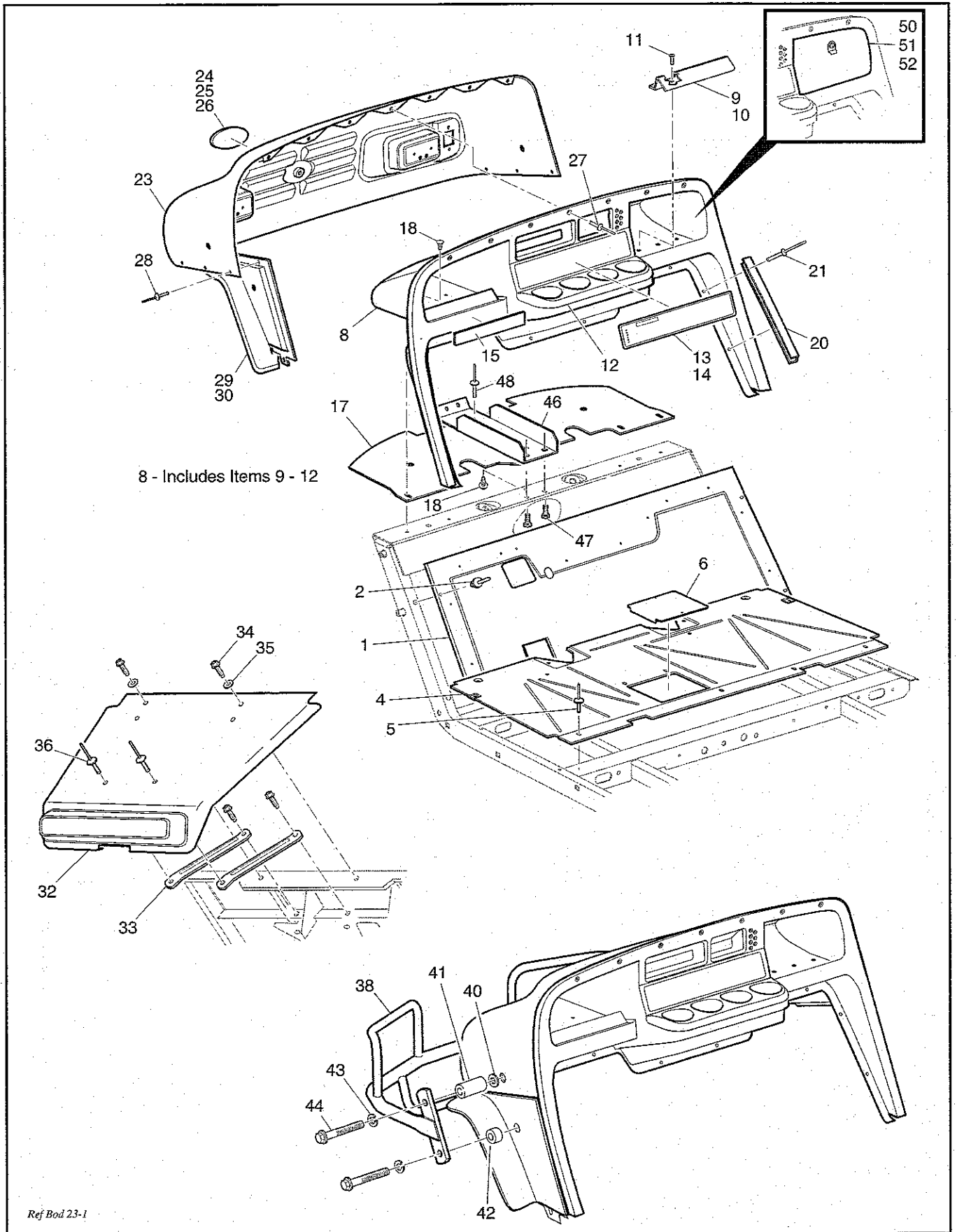
When ordering parts, please specify the model and serial number of the product.

\* Indicates a component that is not available as an individual part.

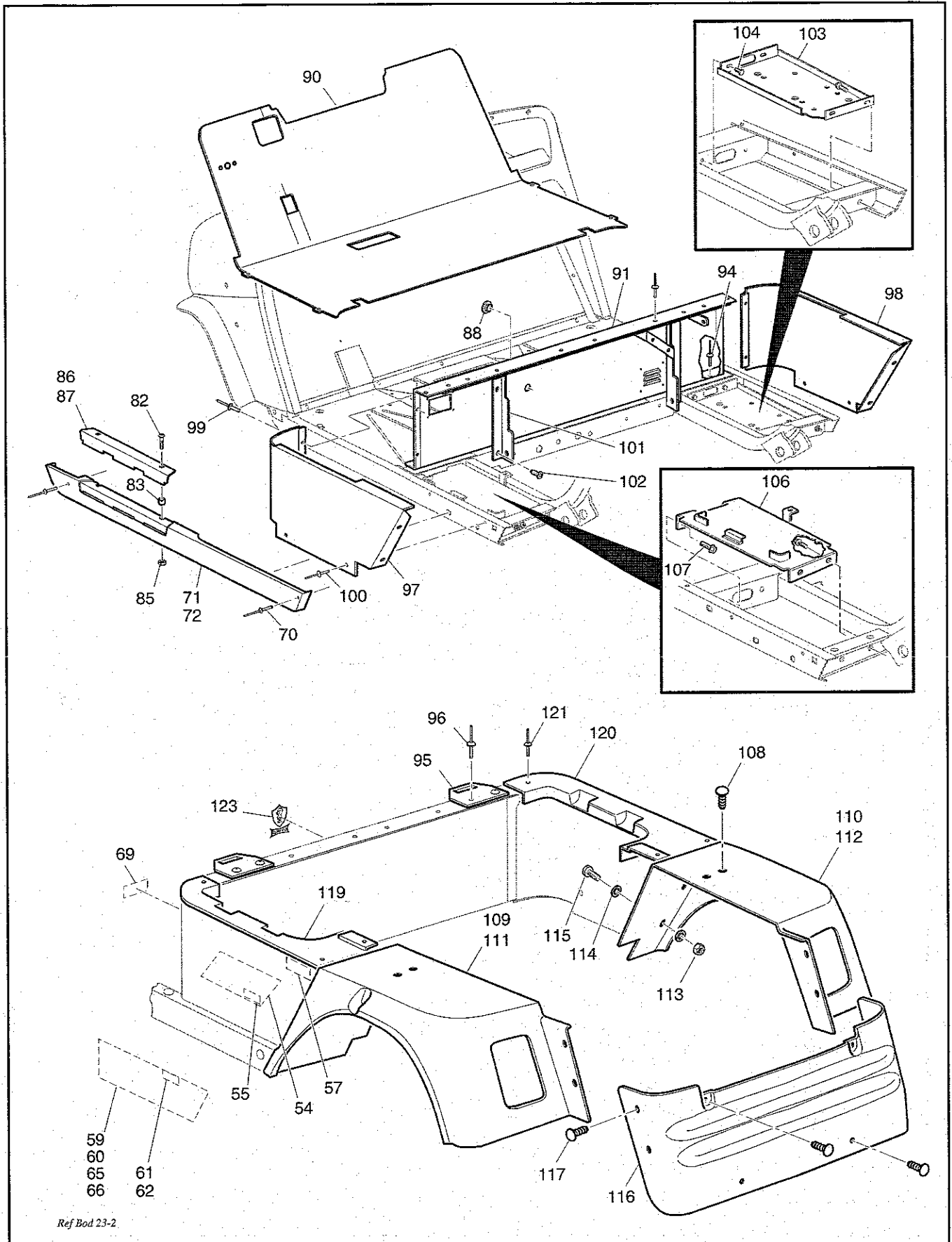
G\*\* Indicates consult Customer Service Department for additional information.

ITEM	PART NO.	1	2	3	4	5	DESCRIPTION	QTY.
31								
32	72151-G01						PCV HOSE.....	1
33	74093-G01						LABEL (WARNING).....	1
34								
35								
36	00559-G5						WASHER, #10.....	1
37	27327-G01						CLAMP.....	2

# BODY



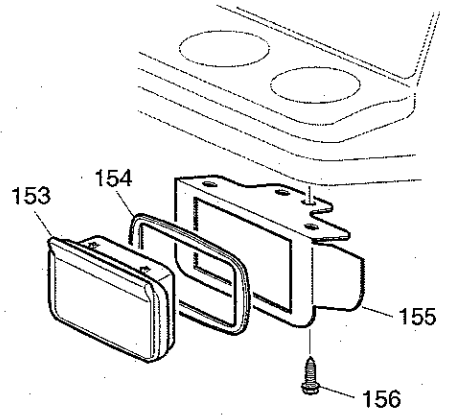
# BODY



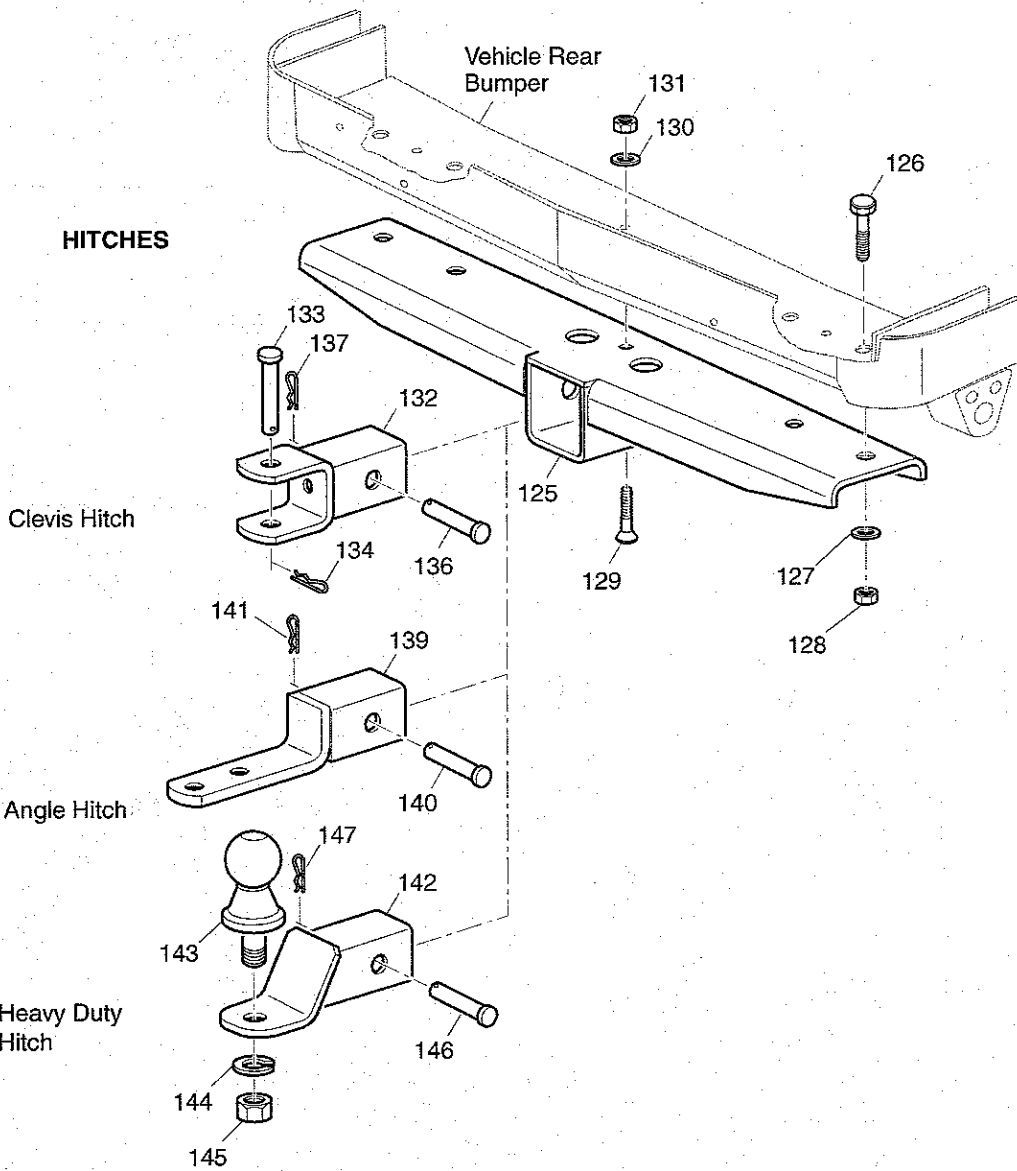
# BODY

## ASH TRAY

152 - Includes Items 153 - 156



## HITCHES



Ref Bod 21-3

# BODY

Where applicable, THE USE OF NON UL PARTS WILL VOID ANY UL LISTING.

When ordering parts, please specify the model and serial number of the product.

\* Indicates a component that is not available as an individual part.

G\*\* Indicates consult Customer Service Department for additional information.

ITEM	PART NO.	1	2	3	4	5	DESCRIPTION	QTY.
1	70662-G01						UPPER FLOORPAN.....	1
2	14601-G11						RIVET, 3/16" X 9/16" LG (ALUMINUM).....	9
3								
4	70451-G01						LOWER FLOORPAN.....	1
5	14601-G11						RIVET, 3/16" X 9/16" LG (ALUMINUM).....	7
6	70452-G01						ACCESS COVER.....	1
7								
8	71151-G01						INSTRUMENT PANEL ASSEMBLY (INCLUDES ITEMS 9 - 12).....	1
9	71153-G01						DEFLECTOR (PASSENGER SIDE).....	1
10	71154-G01						DEFLECTOR (DRIVER SIDE).....	1
11	00614-G5						SCREW, #8 - 18 X 5/8" LG.....	6
12	71158-G01						INSTRUMENT PANEL INSERT (FOUR CUP).....	1
13	71179-G03						LABEL (SAFETY) (TEXT).....	1
14	74409-G01						LABEL (SAFETY) (PICTOGRAPH).....	1
15	74443-G01						LABEL (ANTI-ROLLBACK).....	1
16								
17	71413-G01						SPLASH PANEL.....	1
18	16816-G2						RATCHET FASTENER, 1/4" X 3/4" LG.....	1
19								
20	71115-G01						VINYL TRIM.....	2
21	71055-G01						RIVET, 3/16" X 1" LG (ALUMINUM).....	10
22								
23	71468-G**						COWL.....	1
24	71289-G01						NAMEPLATE (E-Z-GO) (OVAL).....	1
25	28907-G01						NAMEPLATE (JACOBSEN) (OVAL).....	1
26	74401-G01						NAMEPLATE (CUSHMAN) (OVAL).....	1
27	71055-G01						RIVET, 3/16" X 1" LG.....	9
28	71055-G01						RIVET, 3/16" X 1" LG.....	6
29	71338-G01						FENDER FLARE (DRIVER SIDE).....	1
30	71338-G02						FENDER FLARE (PASSENGER SIDE).....	1

# BODY

Where applicable, THE USE OF NON UL PARTS WILL VOID ANY UL LISTING.  
 When ordering parts, please specify the model and serial number of the product.  
 \* Indicates a component that is not available as an individual part.  
 G\*\* Indicates consult Customer Service Department for additional information.

ITEM	PART NO.	1 2 3 4 5	DESCRIPTION	QTY.
31				
32	27166-G04		FRONT SHIELD .....	1
33	70725-G02		FRONT SHIELD BRACE.....	2
34	01038-G01		SCREW, 1/4 - 20 X 1/2" LG.....	4
35	16469-G1		WASHER, 1/4" .....	2
36	01057-G01		RIVET, KTR, 1/4" X 1" LG .....	2
37				
38	74265-G02		BUMPER.....	1
39				
40	00570-G2		WASHER, 5/16" .....	2
41	75048-G04		SPACER, 1".....	2
42	75048-G01		SPACER, 1/2".....	2
43	00905-G8		LOCK WASHER, 5/16".....	4
44	01035-G02		BOLT, 5/16 - 18 X 2 1/2" LG.....	4
45				
46	71101-G01		COWL SUPPORT BRACKET .....	1
47	71102-G02		SELF TAPPING SCREW, 1/4 - 20 X 1/2" LG.....	3
48	71055-G02		RIVET, 3/16" X 1 1/8" LG .....	1
49				
50	75459-G01		GLOVE BOX DOORS (BOTH SIDES).....	1
51	75459-G02		GLOVE BOX DOOR (DRIVER SIDE).....	1
52	75459-G03		GLOVE BOX DOOR (PASSENGER SIDE).....	1
53				
54	74801-G01		LABEL (MPT™).....	2
55	74803-G01		LABEL (800).....	2
56				
57	74099-G01		LABEL, TILT WARNING PICTOGRAPH.....	2
58				
59	28915-G01		LABEL (JACOBSEN HAULER™) (DRIVER SIDE).....	1
60	28915-G02		LABEL (JACOBSEN HAULER™) (PASSENGER SIDE).....	1

# BODY

Where applicable, THE USE OF NON UL PARTS WILL VOID ANY UL LISTING.

When ordering parts, please specify the model and serial number of the product.

\* Indicates a component that is not available as an individual part.

G\*\* Indicates consult Customer Service Department for additional information.

ITEM	PART NO.	1 2 3 4 5	DESCRIPTION	QTY.
61	74803-G01		LABEL (800).....	2
62	28964-G01		LABEL (280).....	2
63				
64				
65	28952-G01		LABEL (CUSHMAN COMMANDER™) (DRIVER SIDE).....	1
66	28952-G02		LABEL (CUSHMAN COMMANDER™) (PASSENGER SIDE).....	1
67				
68				
69	*		SERIAL NUMBER LABEL.....	1
70	15058-G6		RIVET, BLACK (ALUMINUM).....	4
71	71502-G01		ROCKER PANEL (DRIVER SIDE).....	1
72	71501-G01		ROCKER PANEL (PASSENGER SIDE).....	1
73				
74				
75				
76				
77				
78				
79				
80				
81				
82	16705-G1		SCREW, 1/4 - 20 X 1" LG.....	4
83	23726-G4		SPACER.....	4
84	00559-G7		WASHER, 1/4".....	4
85	00891-G2		LOCK NUT, 1/4 - 20.....	4
86	28971-G01		SILL PLATE TREAD (PASSENGER SIDE).....	1
87	28971-G02		SILL PLATE TREAD (DRIVER SIDE).....	1
88	20271-G9		HOLE PLUG, 1/2".....	1
89				
90	70663-G04		FLOORMAT (AXLE MOUNTED STEERING).....	1



# BODY

Where applicable, THE USE OF NON UL PARTS WILL VOID ANY UL LISTING.  
 When ordering parts, please specify the model and serial number of the product.  
 \* Indicates a component that is not available as an individual part.  
 G\*\* Indicates consult Customer Service Department for additional information.

ITEM	PART NO.	1 2 3 4 5	DESCRIPTION	QTY.
91	71844-G01		SEAT WRAP PANEL.....	1
92				
93				
94	10570-G10		RIVET, 5/32" X 9/16" LG.....	8
95	71609-G01		SEAT HINGE PLATE.....	2
96	10570-G11		RIVET, 3/16" X 3/4" LG.....	4
97	71259-G01		SIDE PANEL (DRIVER SIDE).....	1
98	71259-G02		SIDE PANEL (PASSENGER SIDE).....	1
99	10570-G10		RIVET, 5/32" X 9/16" LG.....	4
100	10570-G12		RIVET, 1/4" X 1/2" LG.....	4
101	70440-G04		SEAT FRAME.....	1
102	00715-G2		BOLT, 5/16 - 18 X 13/16" LG.....	2
103	70244-G03		SPLASH PANEL.....	1
104	00715-G2		BOLT, 5/16 - 18 X 13/16" LG.....	4
105				
106	70245-G02		BATTERY TRAY.....	1
107	00715-G2		BOLT, 5/16 - 18 X 13/16" LG.....	4
108				
109	71224-G01		FENDER (DRIVER SIDE).....	1
110	71224-G02		FENDER (PASSENGER SIDE).....	1
111	71224-G03		FENDER WITH TAILLIGHT (DRIVER SIDE).....	1
112	71224-G04		FENDER WITH TAILLIGHT (PASSENGER SIDE).....	1
113	00891-G2		LOCK NUT, 1/4 - 20.....	4
114	00642-G7		WASHER, 1/4".....	8
115	00414-G6		BOLT, 1/4 - 20 X 3/4" LG.....	4
116	71225-G01		REAR PANEL.....	1
117	16816-G2		RATCHET FASTENER, 1/4" X 3/4" LG.....	8
118				
119	71588-G03		SEAT FILLER PANEL (DRIVER SIDE).....	1
120	71588-G04		SEAT FILLER PANEL (PASSENGER SIDE).....	1

# BODY

Where applicable, THE USE OF NON UL PARTS WILL VOID ANY UL LISTING.

When ordering parts, please specify the model and serial number of the product.

\* Indicates a component that is not available as an individual part.

G\*\* Indicates consult Customer Service Department for additional information.

ITEM	PART NO.	1 2 3 4 5	DESCRIPTION	QTY.
121	10570-G10		RIVET, 5/32" X 9/16" LG .....	6
122				
123	74755-G01		LABEL .....	1
124				
125	74348-G02		HITCH RECEIVER .....	1
126	00463-G4		BOLT, 7/16 - 14 X 1 1/2" LG .....	4
127	00922-G3		WASHER, 7/16" .....	4
128	00734-G1		LOCK NUT, 7/16 - 14 .....	4
129	00198-G8		SCREW, 5/16 - 18 X 1" LG.....	1
130	00559-G8		WASHER, 5/16" .....	1
131	11098-G6		LOCK NUT, 5/16 - 18 .....	1
132	74338-G02		CLEVIS HITCH.....	1
133	14443-G7		CLEVIS PIN, 1/2" X 2 1/2" LG.....	1
134	19314-G1		COTTER PIN, 2 1/2" LG.....	1
135				
136	21317-G01		CLEVIS PIN, 5/8" X 3" LG.....	1
137	21683-G1		COTTER PIN, 15/32" X 2 11/16" LG .....	1
138				
139	74339-G02		ANGLE HITCH .....	1
140	21317-G01		CLEVIS PIN, 5/8" X 3" LG.....	1
141	21683-G1		COTTER PIN, 15/32" X 2 11/16" LG .....	1
142	74351-G02		HEAVY DUTY HITCH.....	1
143	31757-G1		HITCH BALL, 1 7/8" .....	1
144	00566-G6		LOCK WASHER, 3/4" .....	1
145	00702-G11		NUT, 3/4 - 16 .....	1
146	21317-G01		CLEVIS PIN, 5/8" X 3" LG.....	1
147	21683-G1		COTTER PIN, 15/32" X 2 11/16" LG .....	1
148				
149				
150				

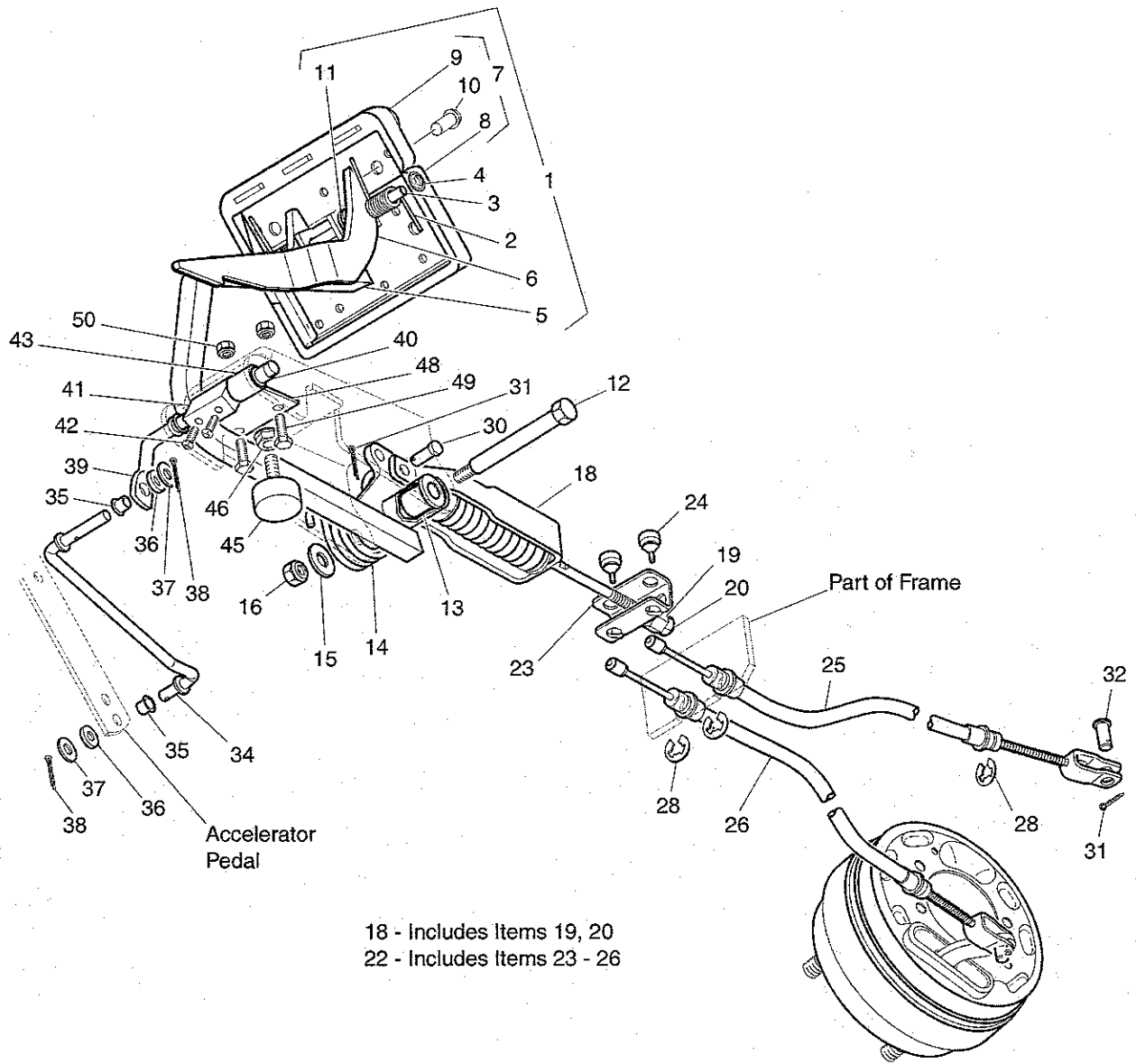
# BODY

Where applicable, THE USE OF NON UL PARTS WILL VOID ANY UL LISTING.  
 When ordering parts, please specify the model and serial number of the product.  
 \* Indicates a component that is not available as an individual part.  
 G\*\* Indicates consult Customer Service Department for additional information.

ITEM	PART NO.	1	2	3	4	5	DESCRIPTION	QTY.
151								
152	75109-G04						ASH TRAY KIT (INCLUDES ITEMS 153 - 156) .....	1
153	27731-G01						ASH TRAY .....	1
154	27736-G01						GASKET .....	1
155	75108-G02						BRACKET .....	1
156	00100-G4						SCREW, #10 - 16 X 1/2" LG .....	4

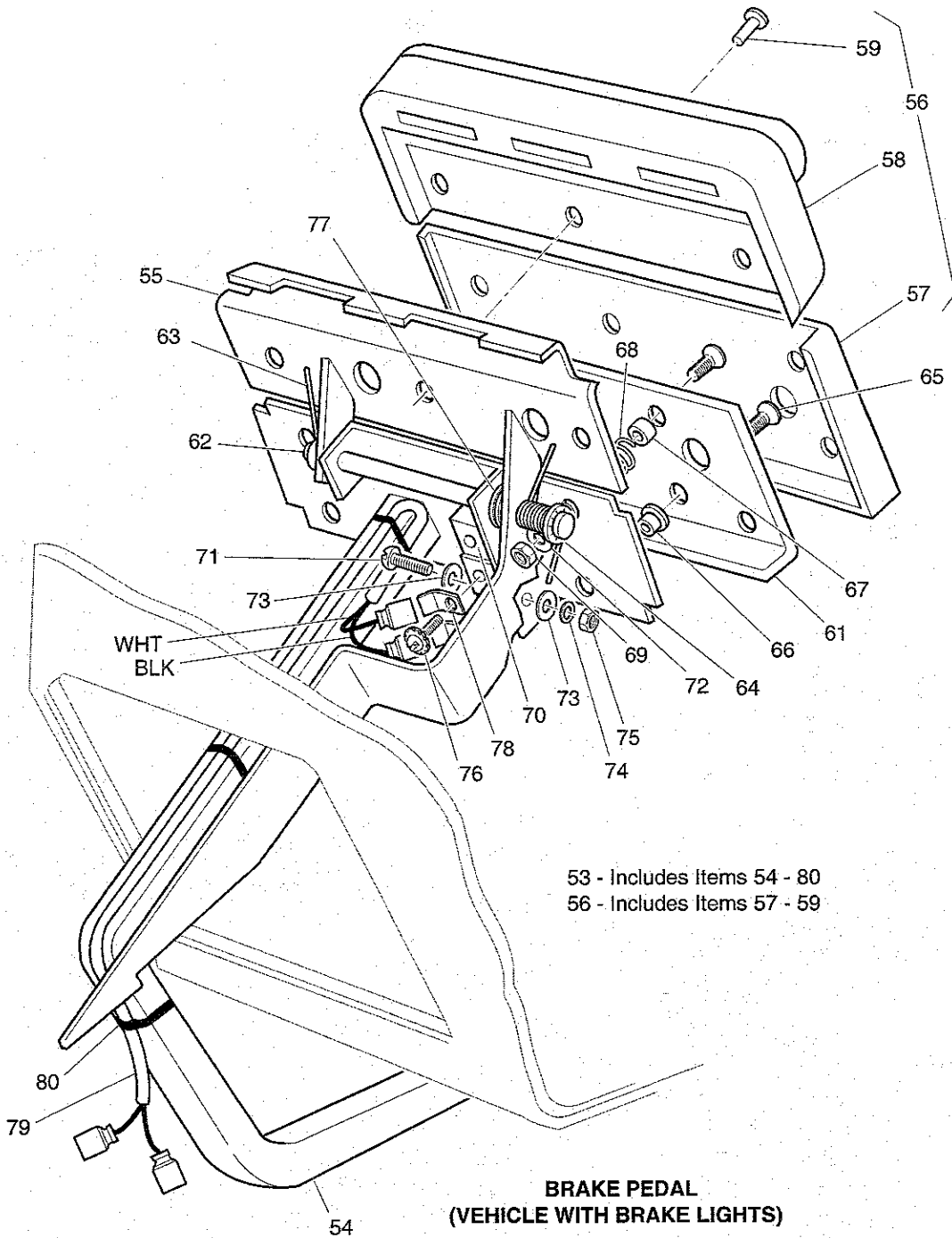


# BRAKES - FRONT DISC



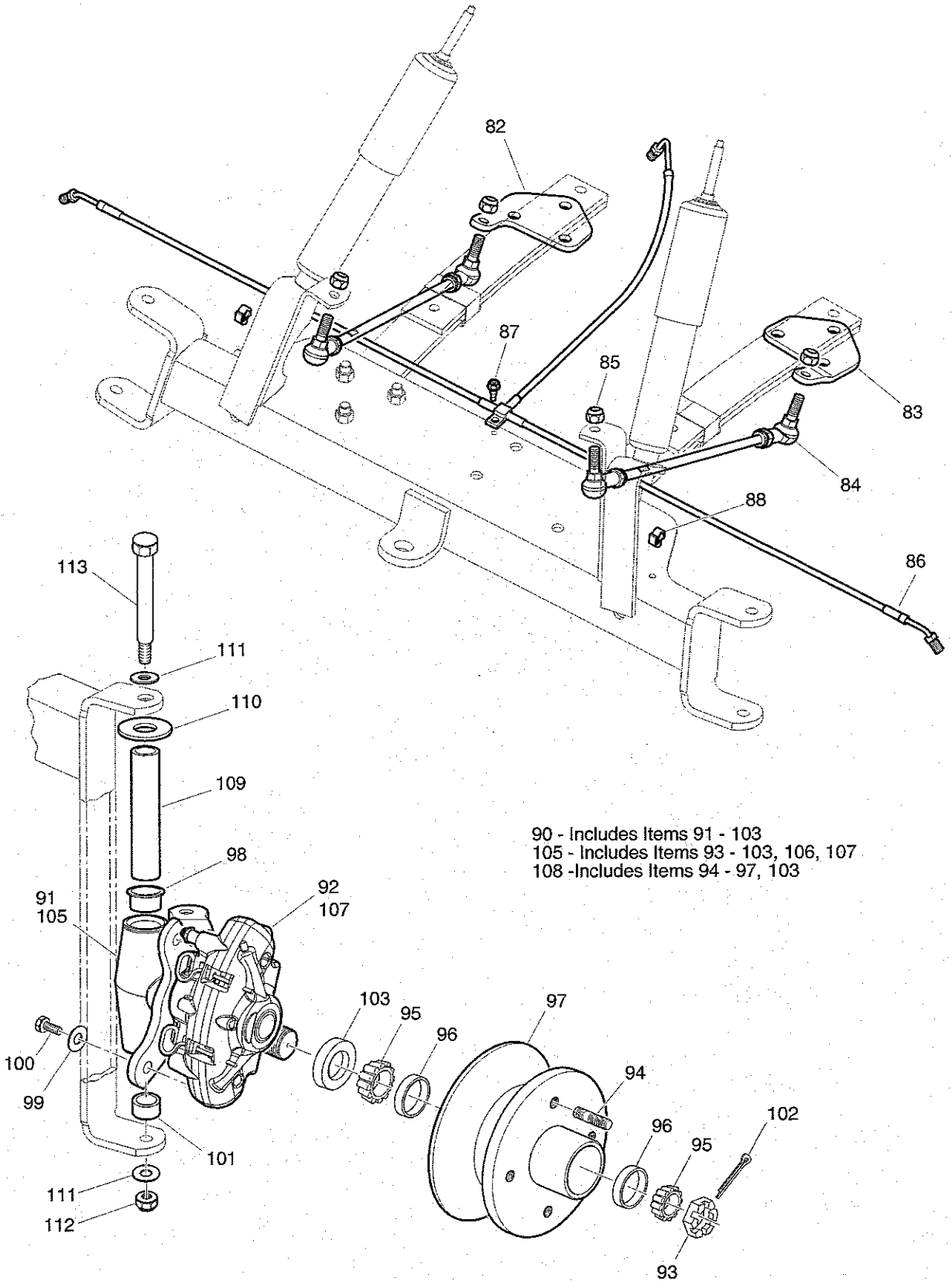
Ref Brh 21-1

# BRAKES - FRONT DISC



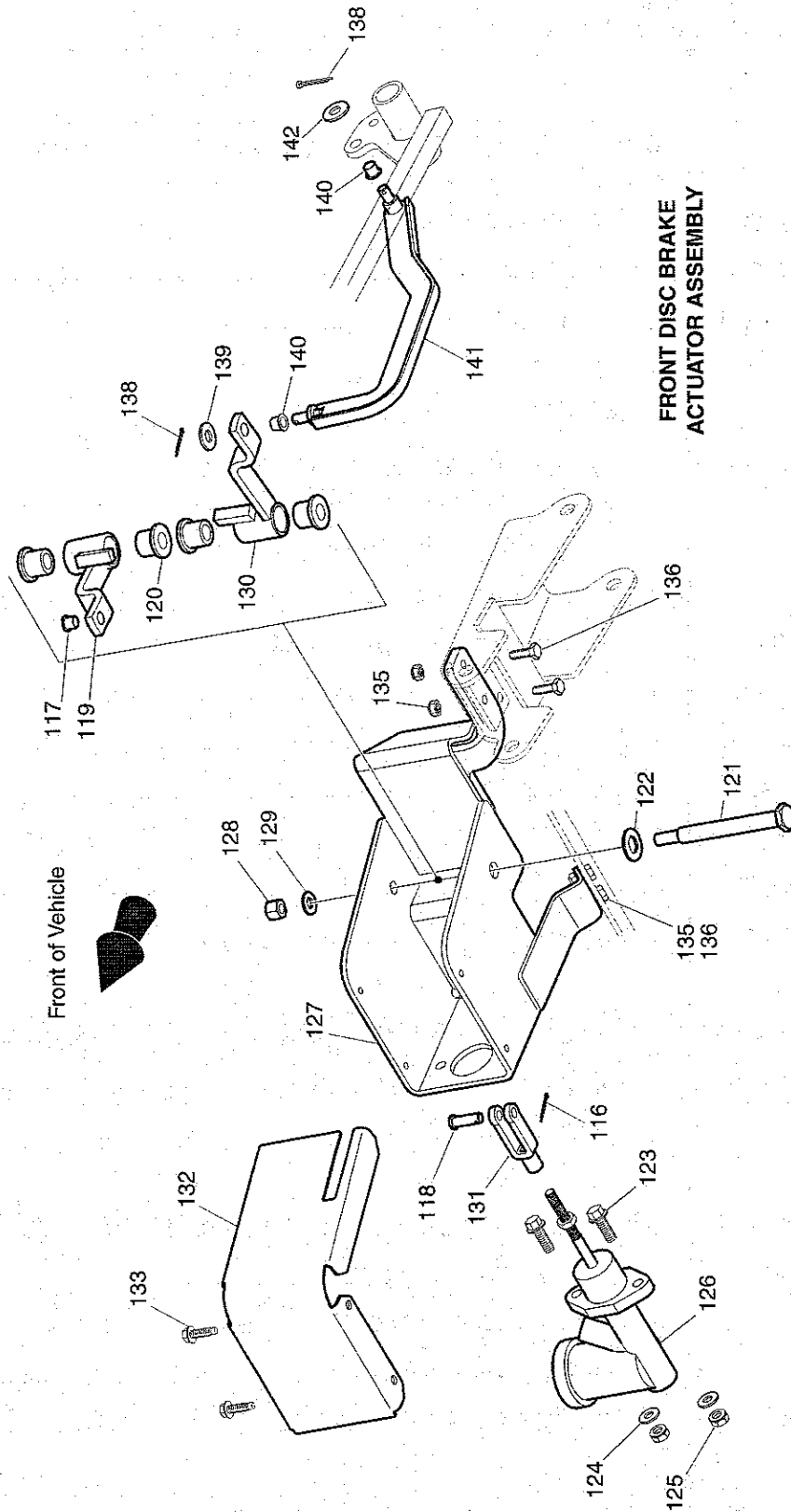
Ref Brh 21-2

# BRAKES - FRONT DISC



Ref Brh 21-3

# BRAKES - FRONT DISC



115 - Includes 116 - 133



## BRAKES - FRONT DISC

THE USE OF NON U.L. PARTS WILL VOID ANY U.L. LISTING.

When ordering parts, please specify the model and serial number of the product.

\* Indicates a component that is not available as an individual part.

G\*\* Indicates consult Customer Service Department for additional information.

ITEM	PART NO.	1 2 3 4 5	DESCRIPTION	QTY.
1	74723-G01		BRAKE PEDAL ASSEMBLY (WITHOUT BRAKE LIGHTS) (INCLUDES ITEMS 2 - 11).....	1
2	70681-G01		TORSION SPRING.....	2
3	70682-G01		PIVOT PIN.....	1
4	01071-G01		PUSHNUT, 5/16".....	1
5	*		BRAKE PEDAL.....	1
6	74724-G01		PARK BRAKE PEDAL.....	1
7	70274-G01		BRAKE/PARK BRAKE PEDAL PAD KIT (INCLUDES ITEMS 8 - 10).....	1
8	*		SERVICE BRAKE PAD.....	1
9	*		PARK BRAKE PEDAL PAD.....	1
10	16409-G1		OVAL RIVET, 3/16" X 15/32" LG.....	9
11	20835-G1		WASHER, TEFLON, 3/8".....	2
12	70582-G01		SHOULDER BOLT, 3/8 - 16 X 4" LG.....	1
13	70581-G01		FLANGED BUSHING.....	2
14	70676-G01		TORSION SPRING.....	1
15	00643-G1		WASHER, 3/8".....	1
16	11098-G5		LOCK NUT, 3/8 - 16.....	1
17				
18	70272-G04		COMPENSATOR ASSEMBLY (INCLUDES ITEMS 19, 20).....	1
19	00963-G01		SPHERICAL NUT, 5/16 - 24.....	1
20	11098-G9		LOCK NUT, 5/16 - 24.....	1
21				
22	70969-G03		EQUALIZER AND BRAKE CABLE ASSEMBLY (INCLUDES ITEMS 23 - 26)....	1
23	28082-G01		EQUALIZER BRACKET.....	1
24	28083-G01		BRAKE COMPENSATOR BUMPER.....	2
25	*		BRAKE CABLE (DRIVER SIDE).....	1
26	*		BRAKE CABLE (PASSENGER SIDE).....	1
27				
28	12305-G1		RETAINING RING.....	4
29				

## BRAKES - FRONT DISC

THE USE OF NON U.L. PARTS WILL VOID ANY U.L. LISTING.

When ordering parts, please specify the model and serial number of the product.

\* Indicates a component that is not available as an individual part.

G\*\* Indicates consult Customer Service Department for additional information.

ITEM	PART NO.	1 2 3 4 5	DESCRIPTION	QTY.
30	10386-G3		CLEVIS PIN, 5/16" X 1" LG.....	3
31	10387-G3		COTTER PIN, 3/32" X 3/4" LG.....	3
32	14443-G2		CLEVIS PIN, 5/16" X 3/4" LG.....	2
33				
34	70601-G01		KICK-OFF LINK.....	1
35	17838-G1		NYLON BUSHING.....	2
36	20835-G1		TEFLON WASHER, 3/8".....	2
37	00559-G8		WASHER, 5/16".....	2
38	10387-G3		COTTER PIN, 3/32" X 3/4" LG.....	2
39	70098-G01		KICK-OFF CAM PIVOT.....	1
40	10097-G6		FLANGED BEARING.....	2
41	70587-G01		KICK-OFF CAM.....	1
42	71215-G01		SETSCREW, 1/4 - 20 X 1/2" LG.....	2
43	14134-G4		SPACER.....	1
44				
45	70113-G01		ADJUSTABLE BUMPER.....	1
46	11027-G1		LOCK NUT, 5/16 - 18.....	1
47				
48	70080-G01		CATCH BRACKET.....	1
49	00414-G6		BOLT, 1/4 - 20 X 3/4" LG.....	2
50	00891-G2		LOCK NUT, 1/4 - 20.....	2
51				
52				
53	74874-G01		BRAKE PEDAL ASSEMBLY (WITH BRAKE LIGHTS) (INCLUDES ITEMS 54 - 80).....	1
54	*		BRAKE PEDAL.....	1
55	74724-G01		PARK BRAKE PEDAL.....	1
56	70274-G01		BRAKE/PARK BRAKE PEDAL PAD KIT (INCLUDES ITEMS 57 - 59).....	1
57	*		SERVICE BRAKE PAD.....	1
58	*		PARK BRAKE PAD.....	1

## BRAKES - FRONT DISC

THE USE OF NON U.L. PARTS WILL VOID ANY U.L. LISTING.

When ordering parts, please specify the model and serial number of the product.

\* Indicates a component that is not available as an individual part.

G\*\* Indicates consult Customer Service Department for additional information.

ITEM	PART NO.	1	2	3	4	5	DESCRIPTION	QTY.
59	16409-G1						..... OVAL RIVET, 3/16" X 15/32" LG .....	9
60								
61	70258-G02						..... BRAKE PEDAL PLATE .....	1
62	70682-G01						..... PIVOT PIN .....	1
63	70681-G01						..... TORSION SPRING .....	2
64	01071-G01						..... PUSHNUT, 5/16" .....	1
65	00737-G8						..... SCREW, #10 - 24 X 1" LG .....	4
66	00739-G1						..... RUBBER NUT, #10 - 24 .....	2
67	22362-G3						..... BRAKE PEDAL STANDOFF .....	2
68	27137-G01						..... CONICAL SPRING .....	2
69	11098-G7						..... LOCK NUT, #10 - 24 .....	2
70	10606-G8						..... MICRO SWITCH .....	1
71	00957-G1						..... SCREW, #6 - 32 X 1 1/4" LG .....	2
72	00559-G5						..... WASHER, #10 .....	2
73	00559-G3						..... WASHER, #6 .....	4
74	00565-G3						..... LOCK WASHER, #6 .....	2
75	00525-G5						..... NUT, #6 - 32 .....	2
76	13514-G1						..... SCREW AND LOCK WASHER, #6 .....	2
77	20835-G1						..... WASHER, TEFLON, 3/8" .....	2
78	14628-G1						..... FASTON TAB .....	2
79	24605-G1						..... WIRE HARNESS (BRAKE LIGHT) .....	1
80	17618-G1						..... WIRE TIE .....	3
81								
82	74731-G02						..... SPRING PLATE (PASSENGER SIDE) .....	1
83	74731-G01						..... SPRING PLATE (DRIVER SIDE) .....	1
84	74730-G01						..... FOUR LINK ROD .....	2
85	01084-G01						..... LOCK NUT, M10-1.25 .....	4
86	74736-G01						..... BRAKE LINE .....	1
87	01038-G01						..... SCREW, 1/4 - 20 X 4444" LG .....	1
88	74875-G01						..... WIRE RETAINER .....	2

## BRAKES - FRONT DISC

THE USE OF NON U.L. PARTS WILL VOID ANY U.L. LISTING.

When ordering parts, please specify the model and serial number of the product.

\* Indicates a component that is not available as an individual part.

G\*\* Indicates consult Customer Service Department for additional information.

ITEM	PART NO.	1	2	3	4	5	DESCRIPTION	QTY.
89								
90	74677-G01						SPINDLE, CALIPER AND DISC HUB ASSEMBLY (DRIVER SIDE) (INCLUDES ITEMS 91 - 103).....	1
91	74672-G01						DISC BRAKE SPINDLE (DRIVER SIDE) .....	1
92	74733-G02						CALIPER (DRIVER SIDE) .....	1
93	12093-G1						SLOTTED NUT.....	1
94	74864-G01						DRIVE FLANGE STUD.....	4
95	11750-G2						ROLLER BEARING .....	2
96	51141-G1						BEARING RACE.....	2
97	74673-G01						DISC BRAKE HUB.....	1
98	70648-G01						FLANGED BEARING.....	1
99	00565-G8						WASHER, 3/8" .....	2
100	00426-G8						BOLT, 3/8 - 16 X 1.....	2
101	70749-G01						BEARING.....	1
102	00798-G8						COTTER PIN .....	1
103	25146-G1						GREASE SEAL.....	1
104								
105	74676-G01						SPINDLE, CALIPER AND DISC HUB ASSEMBLY (PASSENGER SIDE) (INCLUDES ITEMS 93 - 103, 106, 107).....	1
106	74671-G01						DISC BRAKE SPINDLE (PASSENGER SIDE).....	1
107	74733-G01						CALIPER (PASSENGER SIDE).....	1
108	74948-G01						DISC BRAKE SERVICE HUB (INCLUDES ITEMS 94 - 97, 103).....	1
109	70745-G01						KINGPIN TUBE .....	2
110	70754-G01						THRUST WASHER .....	2
111	00560-G3						WASHER, 1/2" .....	4
112	14390-G6						LOCKNUT, 1/2 - 13 .....	2
113	00407-G6						CAPSCREW, 1/2 - 13 X 6" LG .....	2
114								
115	74702-G01						FRONT DISC BRAKE BRAKE ACTUATOR ASSEMBLY (INCLUDES ITEMS 116 - 133).....	1
116	10387-G3						COTTER PIN, 3/32 X 3/4" LG.....	1

## BRAKES - FRONT DISC

THE USE OF NON U.L. PARTS WILL VOID ANY U.L. LISTING.

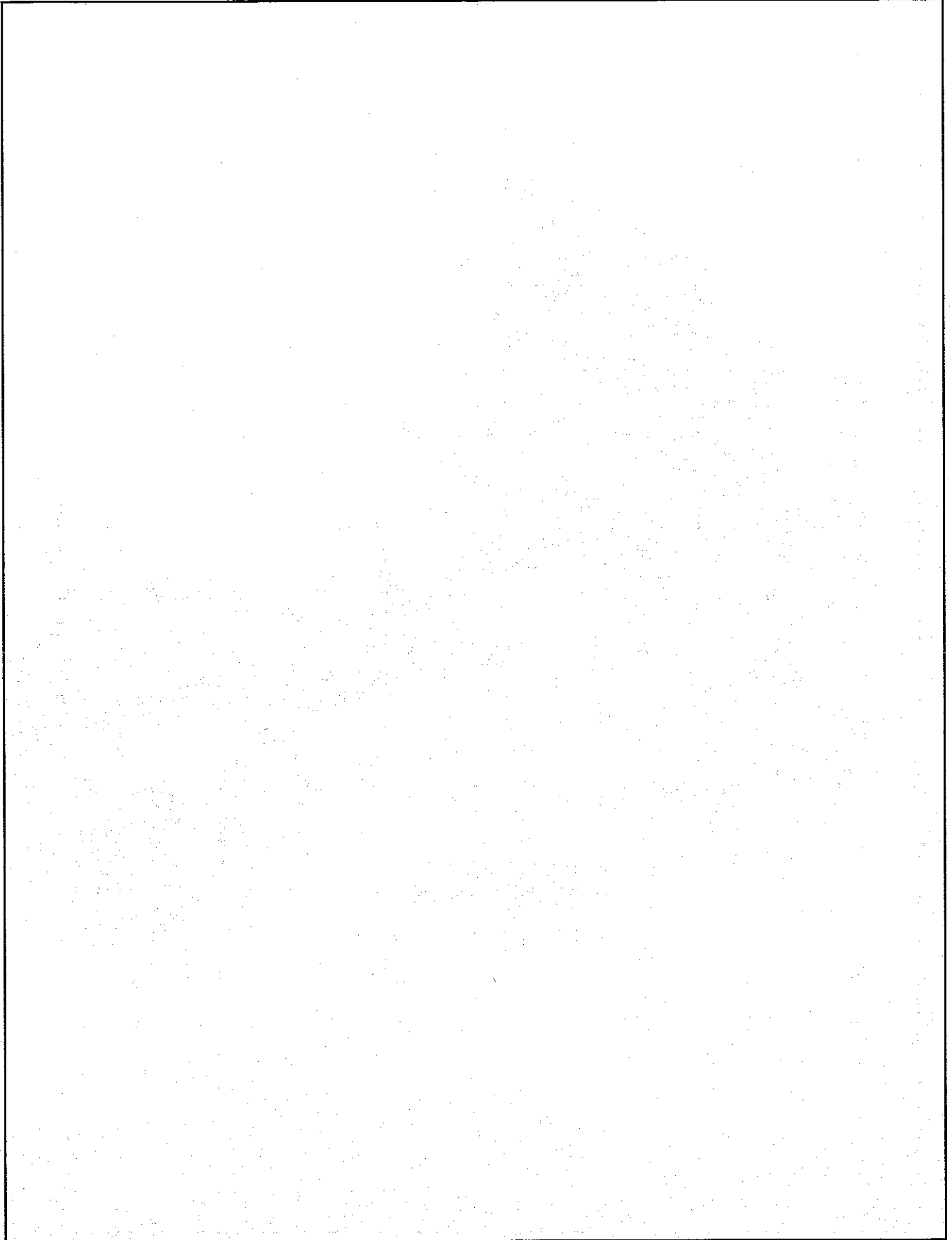
When ordering parts, please specify the model and serial number of the product.

\* Indicates a component that is not available as an individual part.

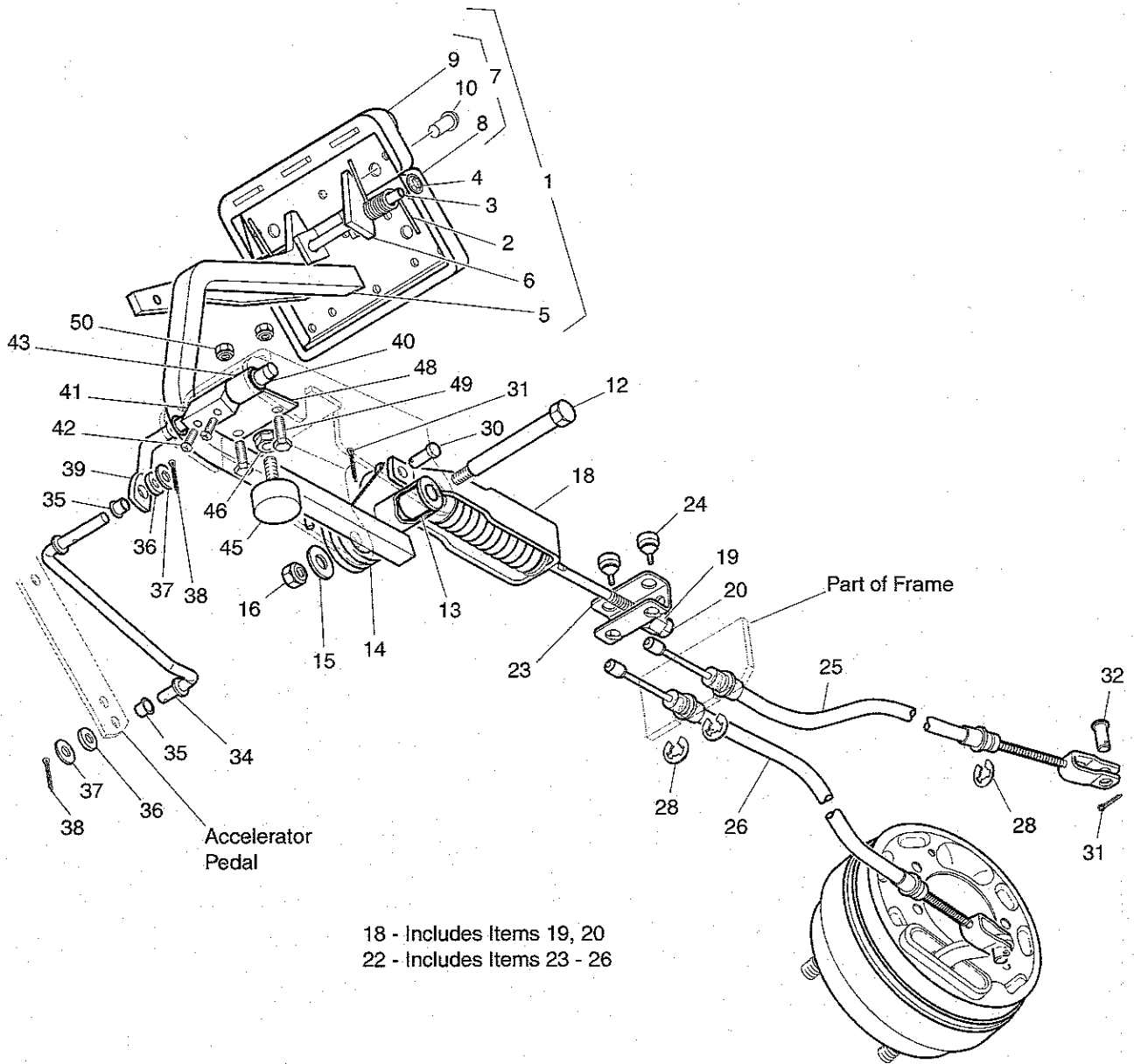
G\*\* Indicates consult Customer Service Department for additional information.

ITEM	PART NO.	1	2	3	4	5	DESCRIPTION	QTY.
117	17838-G1						NYLON BUSHING .....	1
118	10386-G3						CLEVIS PIN, 5/16 X 1" LG.....	1
119	74753-G01						UPPER ACTUATOR PIVOT .....	1
120	70581-G02						ACETAL BUSHING .....	4
121	74711-G01						SHOULDER BOLT .....	1
122	00560-G3						WASHER, 1/2" .....	1
123	13437-G3						BOLT, 1/2 - 13 X 6" LG.....	2
124	00679-G2						WASHER, 5/16" STAINLESS .....	2
125	00654-G3						LOCKNUT, 5/16 - 18.....	2
126	74742-G01						MASTER CYLINDER.....	1
127	74703-G01						BRAKE ACTUATOR ASSEMBLY HOUSING .....	1
128	11098-G5						LOCKNUT, 3/8 - 16.....	1
129	00679-G1						WASHER, 3/8" STAINLESS .....	1
130	74707-G01						LOWER ACTUATOR PIVOT.....	1
131	10385-G4						CLEVIS YOKE .....	1
132	74873-G01						BRAKE ACTUATOR ASSEMBLY COVER .....	1
133	01038-G01						SCREW, 1/4 -20 SWAGEFORM.....	4
134								
135	00414-G8						BOLT, 1/4 - 20 X 1 1/4" LG .....	4
136	00891-G2						LOCKNUT, 1/4 - 20 .....	4
137								
138	10387-G3						COTTER PIN, 3/32 X 3/4 .....	2
139	20835-G1						WASHER, NYLON .....	1
140	17838-G1						NYLON BUSHING.....	2
141	74865-G01						ACTUATOR LINKAGE .....	1
142	00771-G5						WASHER, 3/8" .....	1
143	74917-G01						DISC BRAKE PAD AND PIN KIT (SERVICES ONE CORNER) (INCLUDES ITEMS 144 - 145).....	1
144	*						BRAKE PADS .....	2
145	*						BRAKE PAD RETAINER PINS .....	2

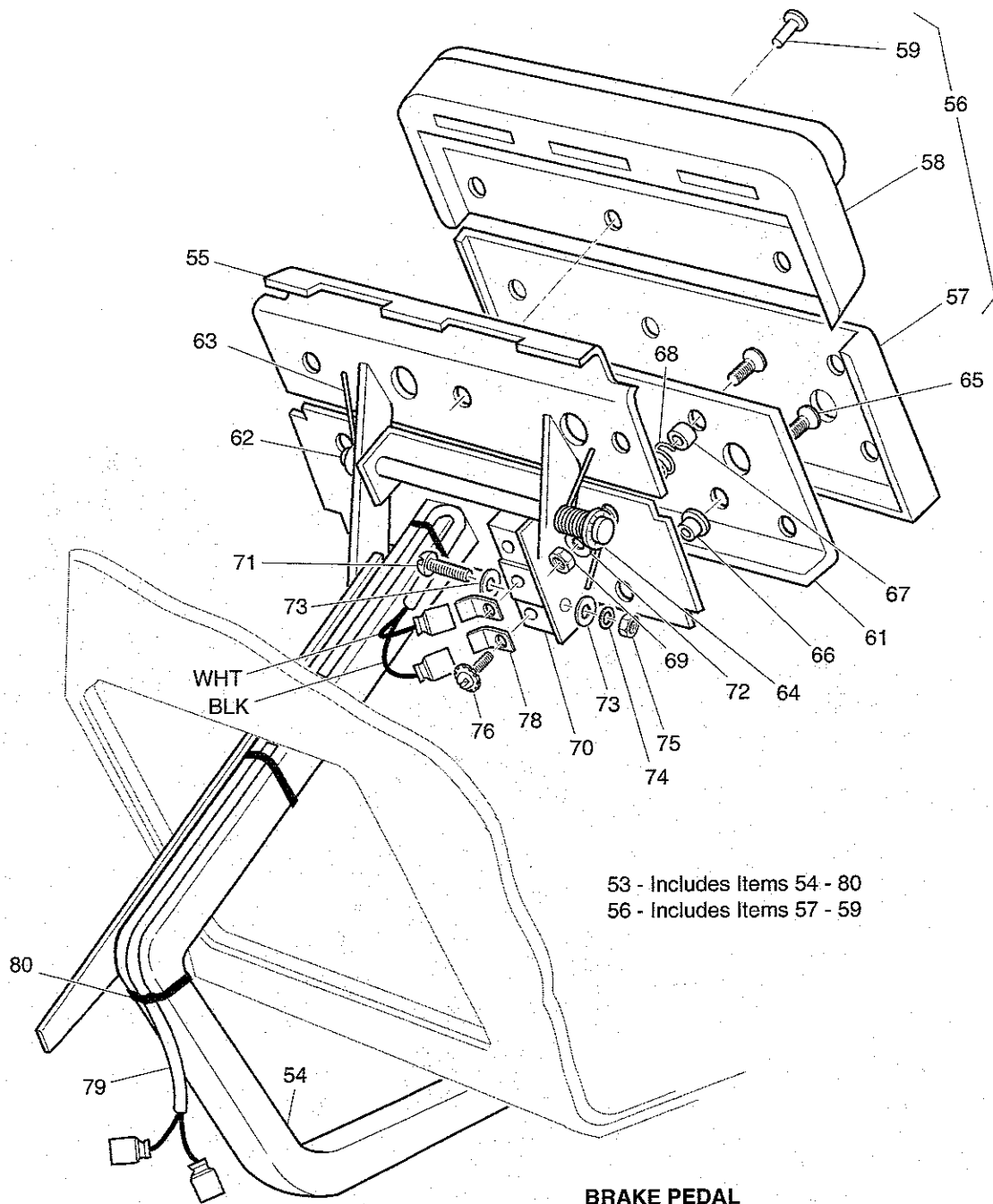
## BRAKES - FRONT DISC



# BRAKES



Ref Brk 6-1

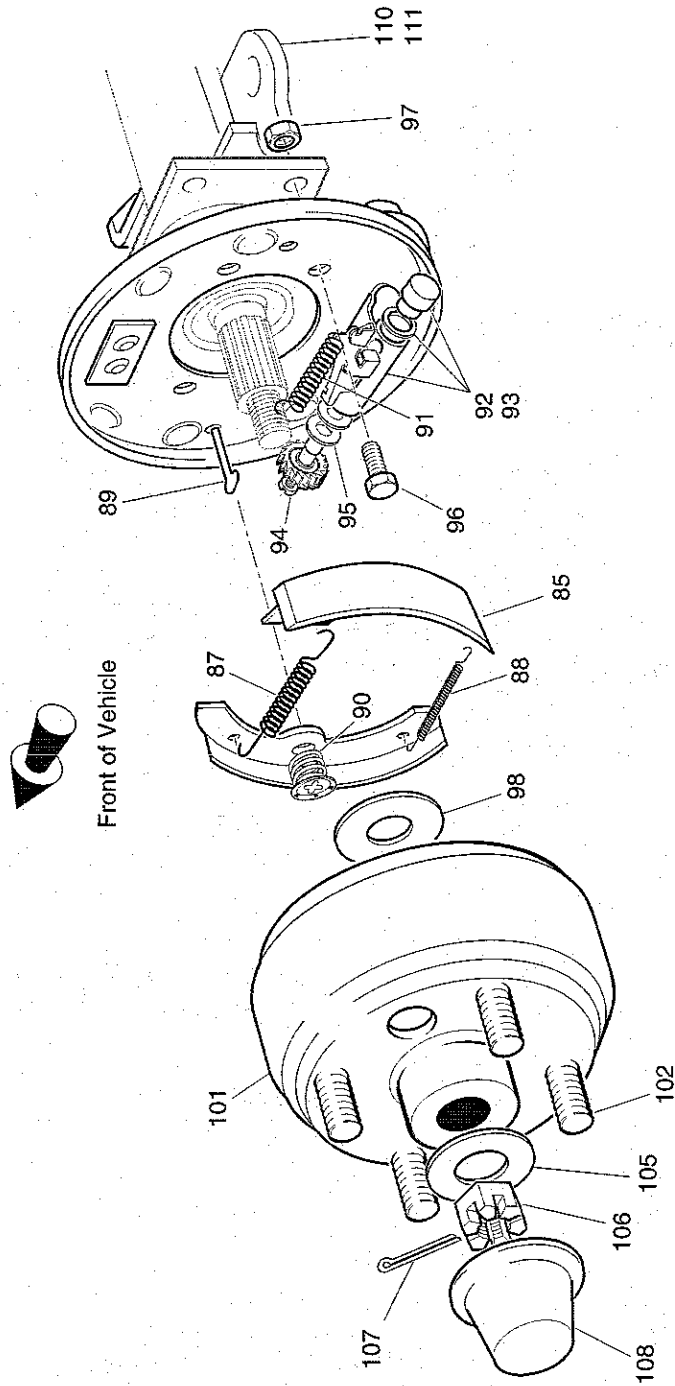


53 - Includes Items 54 - 80  
56 - Includes Items 57 - 59

**BRAKE PEDAL  
(VEHICLE WITH BRAKE LIGHTS)**



# BRAKES



- 82 - Includes Items 84 - 92
- 83 - Includes Items 84 - 93
- 84 - Includes Items 85
- 86 - Includes Items 87 - 91
- 92 - Includes Items 94, 95
- 93 - Includes Items 94, 95
- 100 - Includes Items 101, 102

Ref Brk 6-3

# BRAKES

THE USE OF NON U.L. PARTS WILL VOID ANY U.L. LISTING.

When ordering parts, please specify the model and serial number of the product.

\* Indicates a component that is not available as an individual part.

G\*\* Indicates consult Customer Service Department for additional information.

ITEM	PART NO.	1 2 3 4 5	DESCRIPTION	QTY.
1	70612-G02		BRAKE PEDAL ASSEMBLY (WITHOUT BRAKE LIGHTS) (INCLUDES ITEMS 2 - 10).....	1
2	70681-G01		TORSION SPRING.....	2
3	70682-G01		PIVOT PIN.....	1
4	01071-G01		PUSHNUT, 5/16".....	1
5	*		BRAKE PEDAL.....	1
6	70611-G02		PARK BRAKE PEDAL.....	1
7	70274-G01		BRAKE/PARK BRAKE PEDAL PAD KIT (INCLUDES ITEMS 8 - 10).....	1
8	*		SERVICE BRAKE PAD.....	1
9	*		PARK BRAKE PEDAL PAD.....	1
10	15766-G1		OVAL RIVET, 3/16" X 3/8" LG.....	9
11				
12	70582-G01		SHOULDER BOLT, 3/8 - 16 X 4" LG.....	1
13	70581-G01		FLANGED BUSHING.....	2
14	70676-G01		TORSION SPRING.....	1
15	00643-G1		WASHER, 3/8".....	1
16	11098-G5		LOCK NUT, 3/8 - 16.....	1
17				
18	70272-G04		COMPENSATOR ASSEMBLY (INCLUDES ITEMS 19, 20).....	1
19	00963-G01		SPHERICAL NUT, 5/16 - 24.....	1
20	11098-G9		LOCK NUT, 5/16 - 24.....	1
21				
22	70969-G03		EQUALIZER AND BRAKE CABLE ASSEMBLY (INCLUDES ITEMS 23 - 26)....	1
23	28082-G01		EQUALIZER BRACKET.....	1
24	28083-G01		BRAKE COMPENSATOR BUMPER.....	2
25	*		BRAKE CABLE (DRIVER SIDE).....	1
26	*		BRAKE CABLE (PASSENGER SIDE).....	1
27				
28	01111-G01		RETAINING RING, S.S.....	4
29				

# BRAKES

THE USE OF NON U.L. PARTS WILL VOID ANY U.L. LISTING.

When ordering parts, please specify the model and serial number of the product.

\* Indicates a component that is not available as an individual part.

G\*\* Indicates consult Customer Service Department for additional information.

ITEM	PART NO.	1 2 3 4 5	DESCRIPTION	QTY.
30	10386-G3		CLEVIS PIN, 5/16" X 1" LG.....	3
31	10387-G3		COTTER PIN, 3/32" X 3/4" LG.....	3
32	14443-G2		CLEVIS PIN, 5/16" X 3/4" LG.....	2
33				
34	70601-G01		KICK-OFF LINK.....	1
35	17838-G1		NYLON BUSHING.....	2
36	20835-G1		TEFLON WASHER, 3/8".....	2
37	00559-G8		WASHER, 5/16".....	2
38	10387-G3		COTTER PIN, 3/32" X 3/4" LG.....	2
39	70098-G01		KICK-OFF CAM PIVOT.....	1
40	10097-G6		FLANGED BEARING.....	2
41	70587-G01		KICK-OFF CAM.....	1
42	71215-G01		SETSCREW, 1/4 - 20 X 1/2" LG.....	2
43	14134-G4		SPACER.....	1
44				
45	70113-G01		ADJUSTABLE BUMPER.....	1
46	11027-G1		LOCK NUT, 5/16 - 18.....	1
47				
48	70080-G02		CATCH BRACKET.....	1
49	00414-G6		BOLT, 1/4 - 20 X 3/4" LG.....	2
50	00891-G2		LOCK NUT, 1/4 - 20.....	2
51				
52				
53	70690-G02		BRAKE PEDAL ASSEMBLY (WITH BRAKE LIGHTS) (INCLUDES ITEMS 54 - 80).....	1
54	*		BRAKE PEDAL.....	1
55	70611-G02		PARK BRAKE PEDAL.....	1
56	70274-G01		BRAKE/PARK BRAKE PEDAL PAD KIT (INCLUDES ITEMS 57 - 59).....	1
57	*		SERVICE BRAKE PAD.....	1
58	*		PARK BRAKE PAD.....	1

# BRAKES

THE USE OF NON U.L. PARTS WILL VOID ANY U.L. LISTING.

When ordering parts, please specify the model and serial number of the product.

\* Indicates a component that is not available as an individual part.

G\*\* Indicates consult Customer Service Department for additional information.

ITEM	PART NO.	1	2	3	4	5	DESCRIPTION	QTY.
59	15766-G1						OVAL RIVET, 3/16" x 3/8" LG.....	9
60								
61	70258-G03						BRAKE PEDAL PLATE.....	1
62	70682-G01						PIVOT PIN.....	1
63	70681-G01						TORSION SPRING.....	2
64	01071-G01						PUSHNUT, 5/16".....	1
65	00737-G8						SCREW, #10 - 24 X 1" LG.....	4
66	00739-G1						RUBBER NUT, #10 - 24.....	2
67	22362-G3						BRAKE PEDAL STANDOFF.....	2
68	27137-G01						CONICAL SPRING.....	2
69	11098-G7						LOCK NUT, #10 - 24.....	2
70	10606-G8						MICRO SWITCH.....	1
71	00957-G1						SCREW, #6 - 32 X 1 1/4" LG.....	2
72	00559-G5						WASHER, #10.....	2
73	00559-G3						WASHER, #6.....	4
74	00565-G3						LOCK WASHER, #6.....	2
75	00525-G5						NUT, #6 - 32.....	2
76	13514-G1						SCREW AND LOCK WASHER, #6.....	2
77								
78	14628-G1						FASTON TAB.....	2
79	24605-G1						WIRE HARNESS (BRAKE LIGHT).....	1
80	17618-G1						WIRE TIE.....	3
81								
82	70998-G01						BRAKE ASSEMBLY (DRIVER SIDE) (INCLUDES ITEMS 84 - 92).....	1
83	70998-G02						BRAKE ASSEMBLY (PASSENGER SIDE) (INCL. ITEMS 84 - 91, 93).....	1
84	70794-G01						BRAKE SHOE KIT (INCLUDES ITEM 85).....	2
85	*						BRAKE SHOE.....	2
86	27944-G01						BRAKE SPRING KIT (INCLUDES ITEMS 87 - 91).....	2
87	*						UPPER SPRING.....	1
88	*						LOWER SPRING.....	1

# BRAKES

THE USE OF NON U.L. PARTS WILL VOID ANY U.L. LISTING.

When ordering parts, please specify the model and serial number of the product.

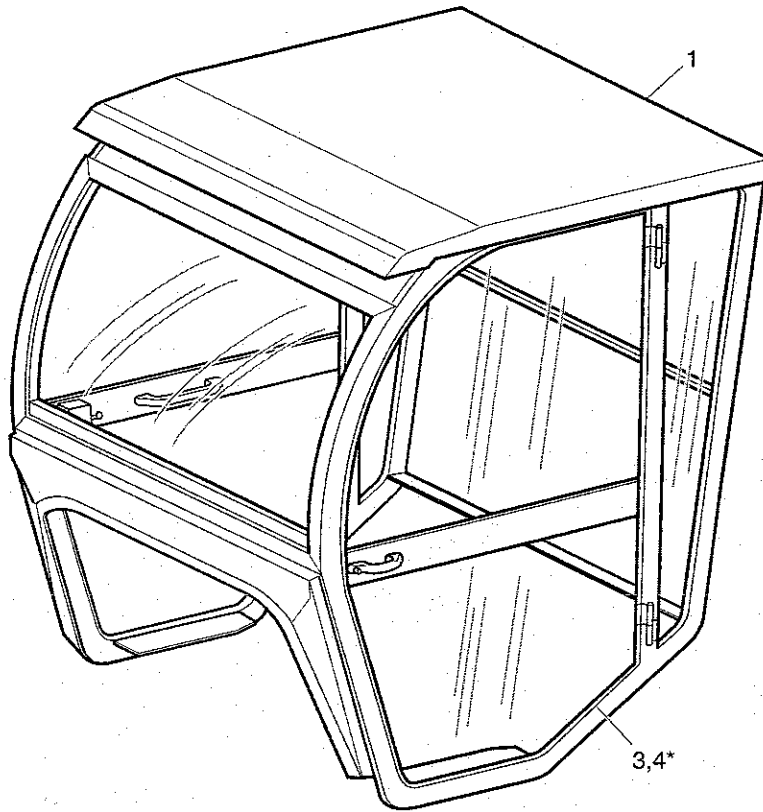
\* Indicates a component that is not available as an individual part.

G\*\* Indicates consult Customer Service Department for additional information.

ITEM	PART NO.	1	2	3	4	5	DESCRIPTION	QTY.
89	*						PIN .....	2
90	*						CUP AND SPRING .....	2
91	*						ADJUSTER SPRING.....	1
92	72582-G01						BRAKE ADJUSTER KIT (DRIVER SIDE) (INCLUDES ITEMS 94, 95) .....	1
93	72582-G02						BRAKE ADJUSTER KIT (PASSENGER SIDE) (INCL ITEMS 94, 95).....	1
94	*						ADJUSTER .....	1
95	*						TEFLON WASHER.....	2
96	17083-G2						BOLT, 5/16 - 24 X 1" LG .....	8
97	15126-G1						LOCK NUT, 5/16 - 24 .....	8
98	21809-G1						INNER BRAKE DRUM WASHER, 1 5/16" OD X 1" ID X 1/32" .....	2
99								
100	21807-G1						BRAKE DRUM ASSEMBLY (INCLUDES ITEMS 101 - 102).....	2
101	*						BRAKE DRUM.....	1
102	19862-G1						LUG BOLT, 1/2 - 20.....	4
103								
104								
105	21830-G1						OUTER BRAKE DRUM WASHER .....	2
106	00518-G8						SLOTTED NUT, 3/4 - 16.....	2
107	10387-G1						COTTER PIN, 1/8" X 1 1/2" LG.....	2
108	74175-G01						SPINDLE CAP.....	2
109								
110	72036-G03						BRAKE CABLE BRACKET (PASSENGER SIDE).....	1
111	72036-G04						BRAKE CABLE BRACKET (DRIVER SIDE) .....	1



# CAB



\*Steel Doors Shown

For Cab Accessories, See ACCESSORIES LISTING in Appendix B

Ref Cab 5

THE USE OF NON U.L. PARTS WILL VOID ANY U.L. LISTING.

When ordering parts, please specify the model and serial number of the product.

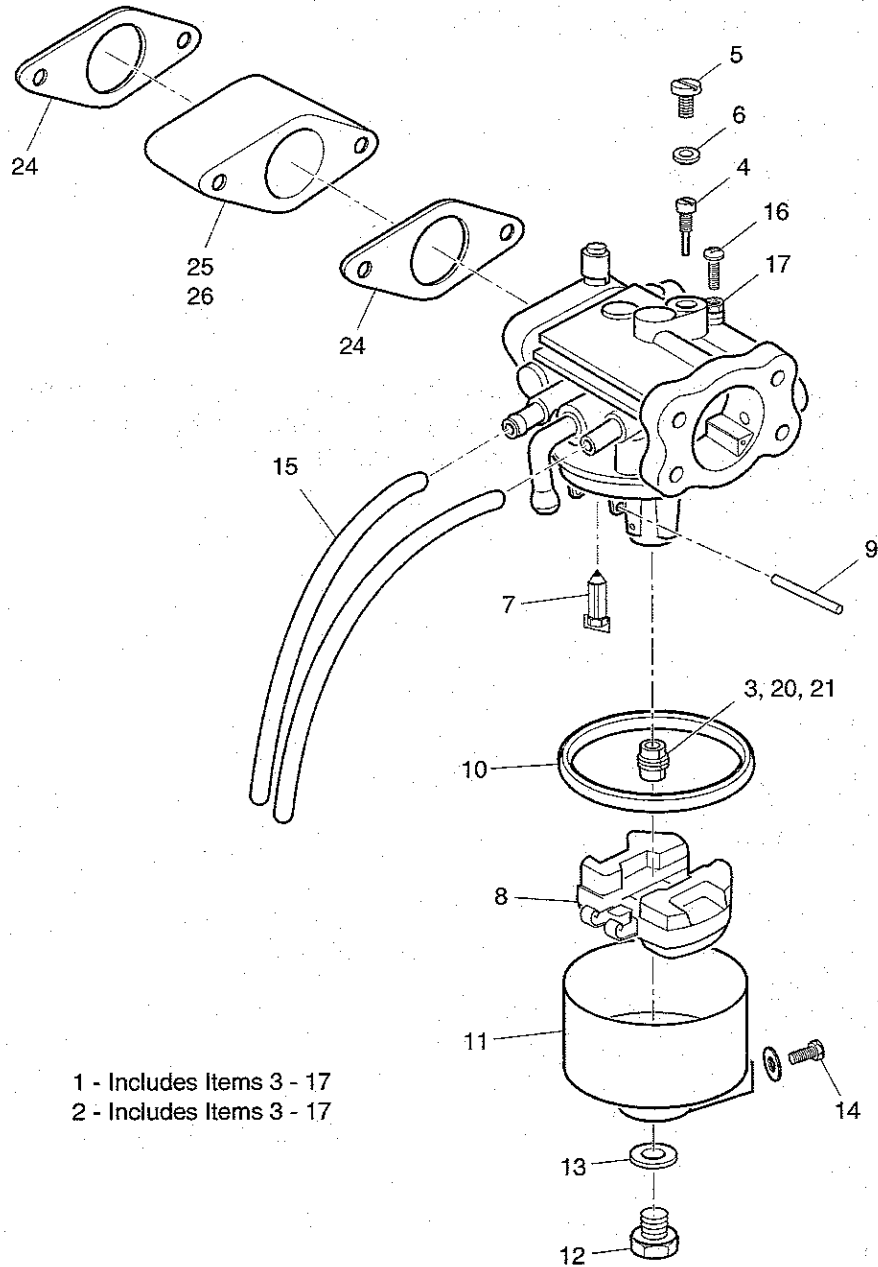
\* Indicates a component that is not available as an individual part.

G\*\* Indicates consult Customer Service Department for additional information.

ITEM	PART NO.	1 2 3 4 5	DESCRIPTION	QTY.
1	72684-G**		STEEL CAB (WITHOUT DOORS) REPAACEMENT PARTS AND ACCESSORIES MAY BE OBTAINED FROM CURTIS CAB, INC. ....	1
2				
3	75855-G01		VINYL DOOR KIT .....	1
4	75856-G**		STEEL DOOR KIT .....	1
<p>For Cab replacement parts and accessories, contact Curtis Cab at:                      Curtis Cab, Inc. 111 Higgins Street, Worcester, Massachusetts, 01606.                      Tel.: 508-853-2200. Toll free: 800-343-7676.  <a href="http://www.curtiscab.com">www.curtiscab.com</a></p>				



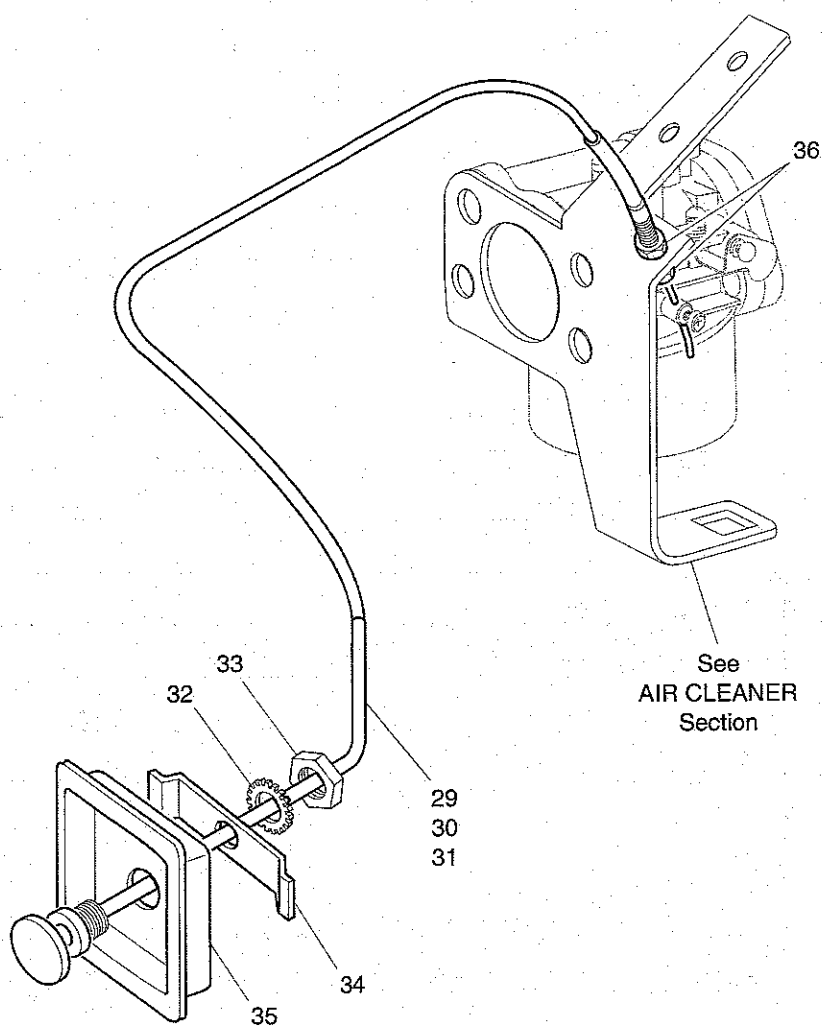
# CARBURETOR AND CHOKE



1 - Includes Items 3 - 17  
2 - Includes Items 3 - 17

Ref Cac 2-1

# CARBURETOR AND CHOKE



Ref Cac 2-2

# CARBURETOR AND CHOKE

Where applicable, THE USE OF NON UL PARTS WILL VOID ANY UL LISTING.

When ordering parts, please specify the model and serial number of the product.

\* Indicates a component that is not available as an individual part.

G\*\* Indicates consult Customer Service Department for additional information.

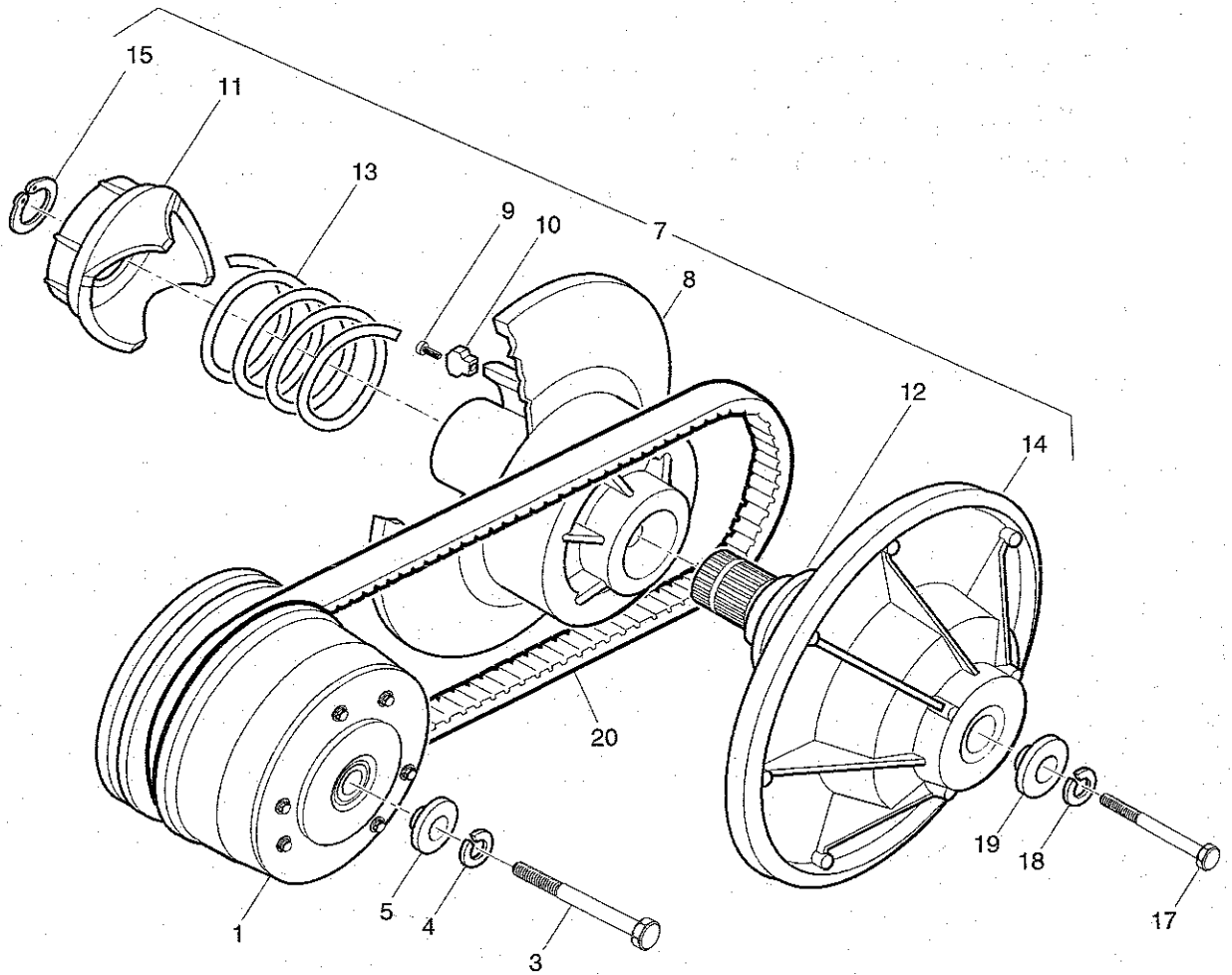
ITEM	PART NO.	1	2	3	4	5	DESCRIPTION	QTY.
1	72840-G01						CARBURETOR (FOR VEHICLES ORIGINALLY EQUIPPED WITH 295cc (EH29C)) (INCLUDES ITEMS 3 - 17).....	1
2	72840-G02						CARBURETOR (FOR VEHICLES ORIGINALLY EQUIPPED WITH 350cc (EH35C)) (INCLUDES ITEMS 3 - 17).....	1
3	26646-G08						MAIN JET (#86).....	1
4	26649-G05						PILOT JET (#46).....	1
5	26841-G01						PLUG.....	1
6	72306-G01						GASKET.....	1
7	72578-G01						NEEDLE VALVE.....	1
8	26648-G01						FLOAT.....	1
9	26840-G01						FLOAT PIN.....	1
10	26843-G01						FLOAT BOWL GASKET.....	1
11	26844-G01						FLOAT CHAMBER.....	1
12	26839-G01						BOWL SCREW.....	1
13	26838-G01						BOWL GASKET.....	1
14	72579-G01						DRAIN SCREW.....	1
15	26650-G01						VENT TUBE.....	2
16	72317-G01						SCREW.....	1
17	72310-G01						NUT.....	1
18								
19								
20	26646-G**						MAIN JET (***) (FOR ELEVATIONS OF 3000 FT - 6000 FT).....	1
21	26646-G**						MAIN JET (***) (FOR ELEVATIONS OF 6000 FT - 10000 FT).....	1
22								
23								
24	26726-G01						CARBURETOR MOUNT GASKET.....	2
25	72883-G01						CARBURETOR INSULATOR (FOR FUJI ENGINE EH29C).....	1
26	72854-G01						CARBURETOR INSULATOR (FOR FUJI ENGINE EH35C).....	1
27								
28								
29	25693-G04						CHOKE CABLE (22 1/4" LG WITH NUTS).....	1

## CARBURETOR AND CHOKE

Where applicable, THE USE OF NON UL PARTS WILL VOID ANY UL LISTING.  
 When ordering parts, please specify the model and serial number of the product.  
 \* Indicates a component that is not available as an individual part.  
 G\*\* Indicates consult Customer Service Department for additional information.

ITEM	PART NO.	1	2	3	4	5	DESCRIPTION	QTY.
30	72401-G01						CHOKE CABLE (60 1/4" LG WITH NUTS) .....	1
31	72401-G02						CHOKE CABLE (31 1/2" LG WITH NUTS) .....	1
32	00568-G4						LOCK WASHER, 9/16".....	1
33	00545-G4						JAM NUT, 9/16 - 18 .....	1
34	72155-G01						RETAINER .....	1
35	72154-G01						CHOKE CABLE ADAPTER.....	1
36	00544-G4						JAM NUT, 5/16 - 24 .....	2

# CLUTCH



Ref Ch 21-1

# CLUTCH

THE USE OF NON U.L. PARTS WILL VOID ANY U.L. LISTING.

When ordering parts, please specify the model and serial number of the product.

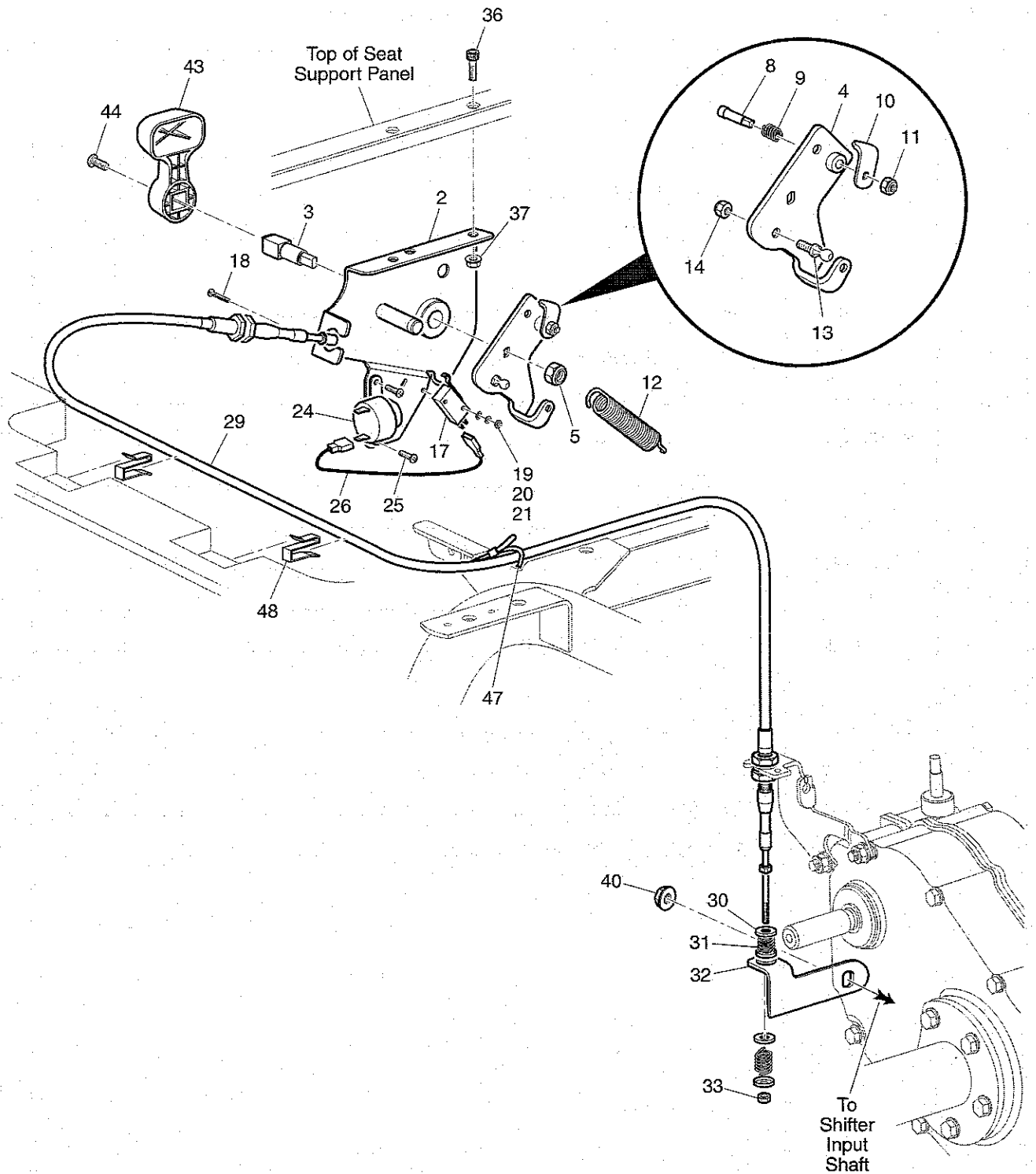
\* Indicates a component that is not available as an individual part.

G\*\* Indicates consult Customer Service Department for additional information.

ITEM	PART NO.	1	2	3	4	5	DESCRIPTION	QTY.
1	74626-G01						DRIVE CLUTCH .....	1
2								
3	00473-G9						BOLT, 7/16 - 20 X 6 1/2" LG .....	1
4	00566-G2						LOCK WASHER, 7/16" .....	1
5	25757-G1						PILOT WASHER .....	1
6								
7	26301-G03						DRIVEN CLUTCH ASSEMBLY (INCLUDES ITEMS 8 - 15) .....	1
8	*						MOVABLE SHEAVE (INCLUDES ITEMS 9 - 10) .....	1
9	00979-G01						SCREW, #10 - 24 X 7/8" LG .....	3
10	72324-G01						RAMP BUTTON .....	3
11	*						CAM .....	1
12	24600-G1						SPACER .....	1
13	26304-G01						COMPRESSION SPRING .....	1
14	*						SHEAVE AND POST .....	1
15	27270-G01						HEAVY DUTY RETAINING RING .....	1
16								
17	00441-G8						BOLT, 5/16 - 18 X 4" LG .....	1
18	00565-G8						LOCK WASHER, 5/16" .....	4
19	25756-G1						RETAINING WASHER .....	1
20	72328-G01						DRIVE BELT (SEVERE DUTY) .....	1

# DIRECTION SELECTOR

1 - Includes Items 2 - 33



Ref Dsl 5

## DIRECTION SELECTOR

THE USE OF NON U.L. PARTS WILL VOID ANY U.L. LISTING.

When ordering parts, please specify the model and serial number of the product.

\* Indicates a component that is not available as an individual part.

G\*\* Indicates consult Customer Service Department for additional information.

ITEM	PART NO.	1	2	3	4	5	DESCRIPTION	QTY.
1	72721-G05						DIRECTION SELECTOR ASSEMBLY (INCLUDES ITEMS 2 - 33) .....	1
2	72737-G02						DIRECTION SELECTOR BRACKET .....	1
3	70233-G01						DIRECTION SELECTOR SHAFT .....	1
4	72738-G01						DIRECTION SELECTOR CAM .....	1
5	14390-G1						LOCK NUT, 3/8 - 24 .....	1
6								
7								
8	72724-G01						NEUTRAL LOCK PIN .....	1
9	72733-G01						COMPRESSION SPRING, 3/8" X 5/8" LG .....	1
10	72729-G01						NEUTRAL LOCK LATCH .....	1
11	00734-G2						LOCK NUT, 1/4 - 28 .....	1
12	28574-G01						EXTENSION SPRING .....	1
13	72732-G01						BALL STUD .....	1
14	00734-G5						LOCK NUT, #10 - 32 .....	1
15								
16								
17	72736-G01						MICRO SWITCH .....	1
18	01062-G01						SCREW, #4 - 40 X 1" LG .....	2
19	00559-G1						WASHER, #4 .....	2
20	00565-G1						LOCK WASHER, #4 .....	2
21	00526-G2						NUT, #4 - 40 .....	2
22								
23								
24	73290-G03						REVERSE WARNING BUZZER .....	1
25	01063-G01						SCREW, #6 - 32 X 3/8" LG .....	2
26	25978-G345						18 GA WIRE (RED 7") .....	1
27								
28								
29	72734-G01						SHIFTER CABLE .....	1
30	25727-G01						CUP WASHER .....	4



# DIRECTION SELECTOR

THE USE OF NON U.L. PARTS WILL VOID ANY U.L. LISTING.

When ordering parts, please specify the model and serial number of the product.

\* Indicates a component that is not available as an individual part.

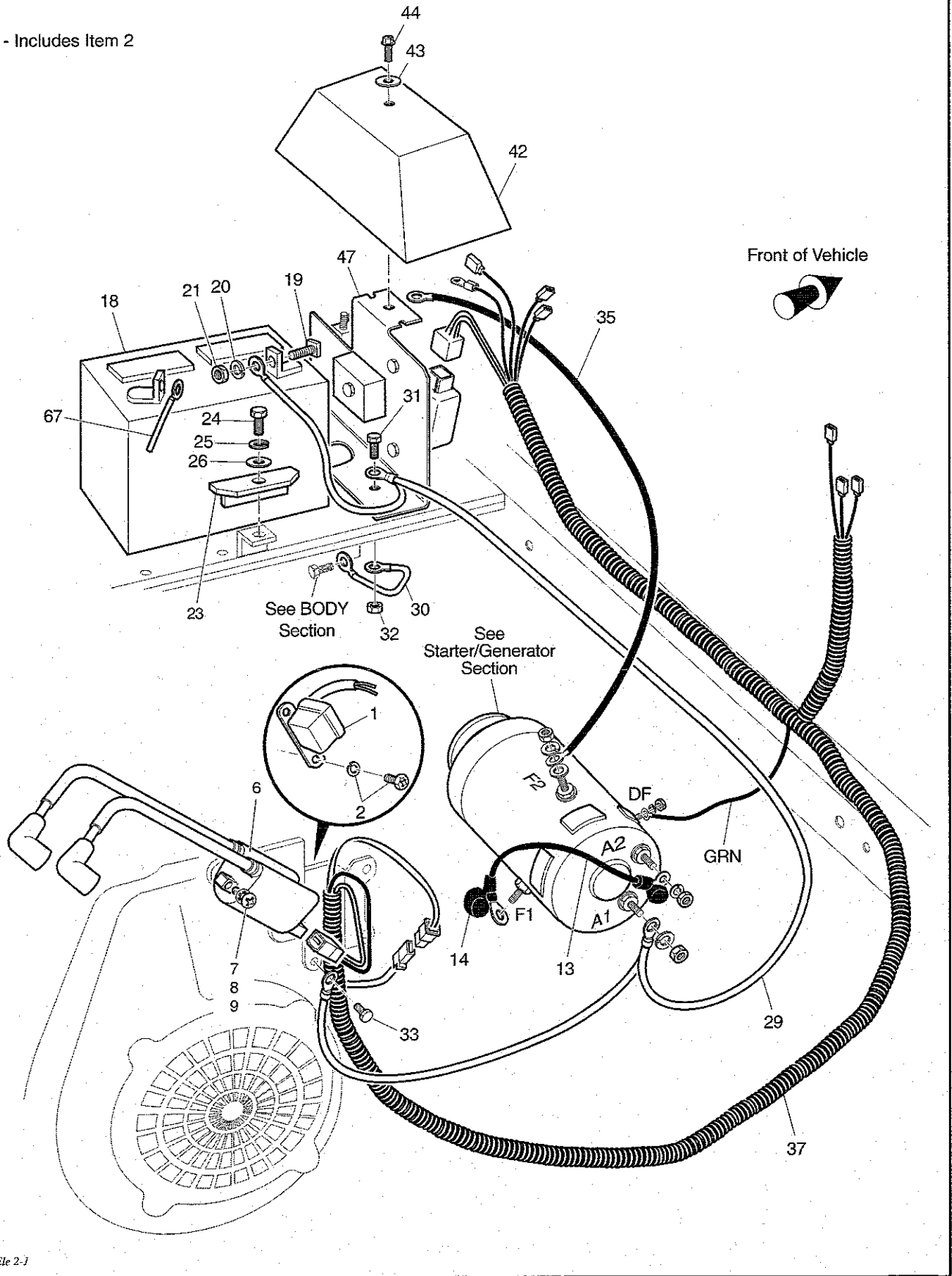
G\*\* Indicates consult Customer Service Department for additional information.

ITEM	PART NO.	1 2 3 4 5	DESCRIPTION	QTY.
31	72735-G01		COMPRESSION SPRING, 19/32" X 1" LG.....	2
32	74455-G01		SHIFTER ARM WITH BUSHING.....	1
33	00734-G5		LOCK NUT, #10 - 32.....	1
34				
35				
36	70227-G01		SCREW, 1/4 - 20 X 7/8" LG.....	2
37	11027-G2		LOCK NUT, 1/4 - 20.....	2
38				
39				
40	26830-G01		LOCK NUT, M8 X 1.25 MM.....	1
41				
42				
43	71205-G01		DIRECTION SELECTOR HANDLE.....	1
44	00740-G4		SCREW, #10 - 32 X 1/2" LG (STAINLESS STEEL).....	1
45				
46				
47	17618-G1		WIRE TIE.....	1
48	01072-G01		CABLE CLIP.....	2

# DIRECTION SELECTOR

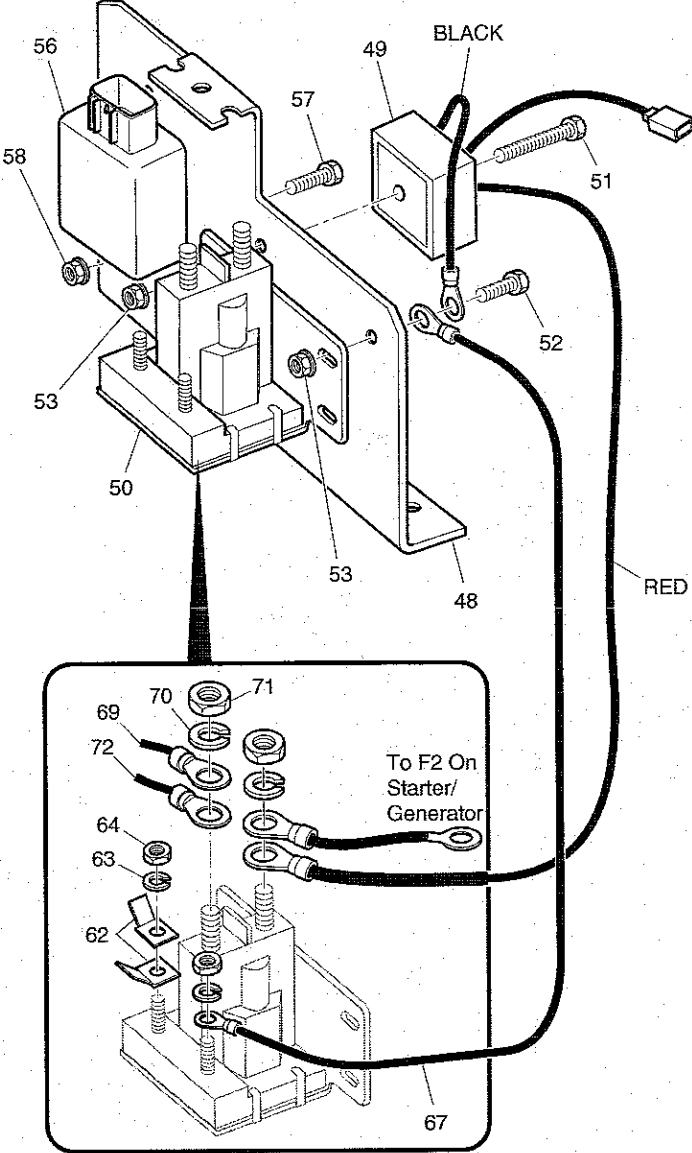
# ELECTRICAL SYSTEM

1 - Includes Item 2



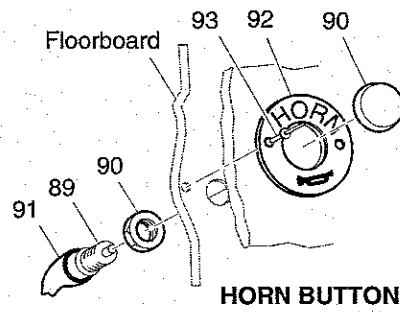
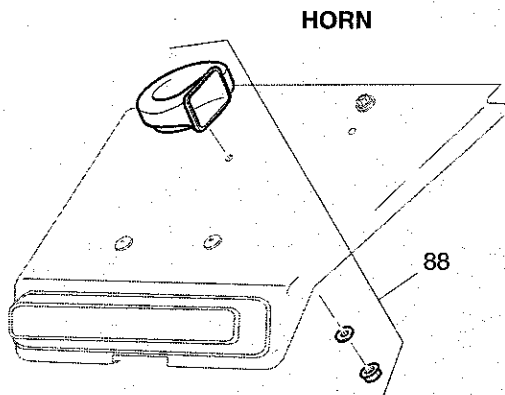
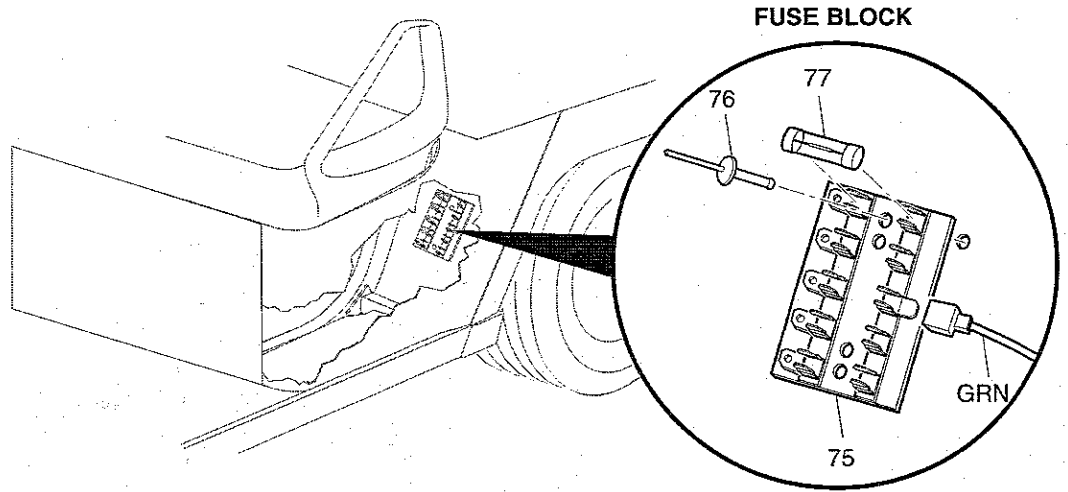
**ELECTRICAL SYSTEM**

47 - Includes Items 48 - 72



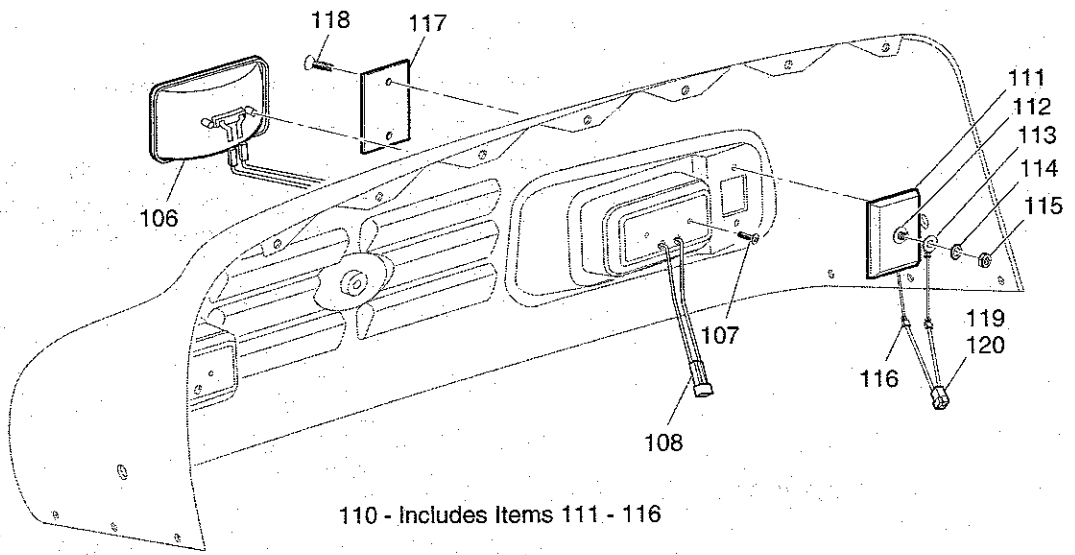
Ref Ele 2-2

# ELECTRICAL SYSTEM



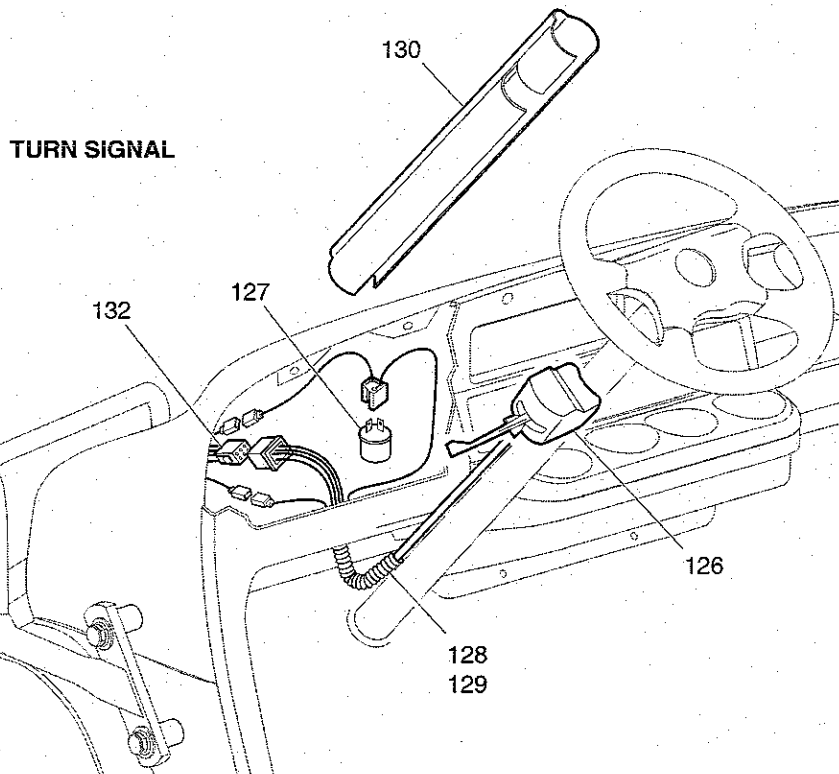
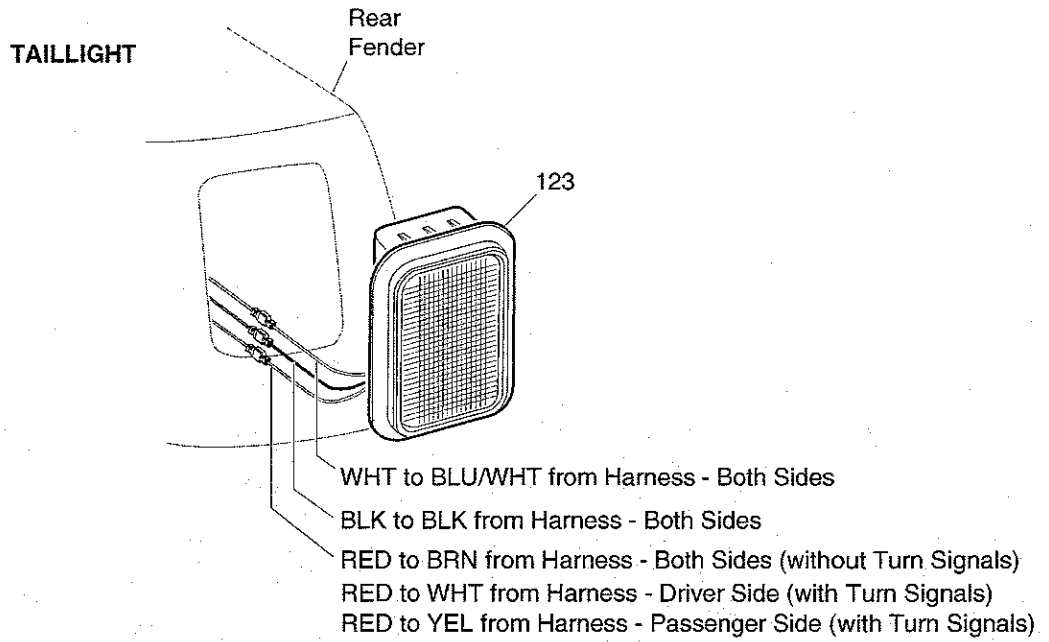
Ref Ele 21-3

# ELECTRICAL SYSTEM



Ref Ele 23-4

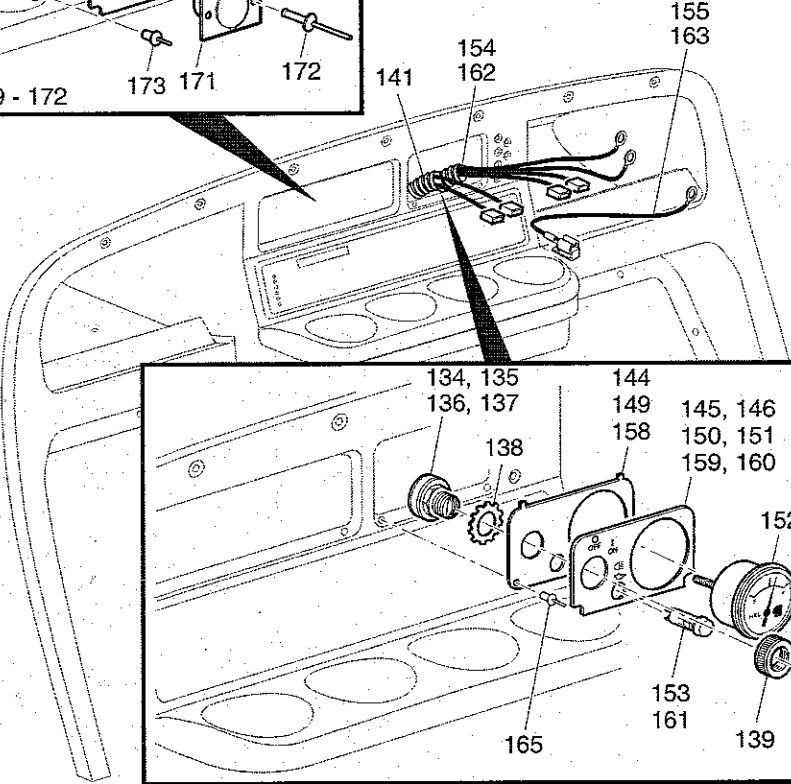
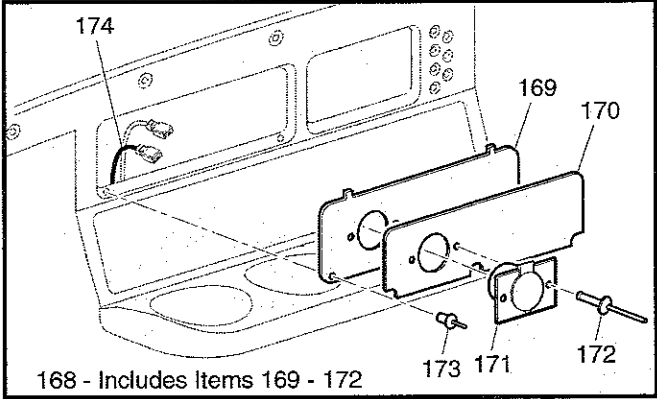
# ELECTRICAL SYSTEM



Ref Ele 23-5

# ELECTRICAL SYSTEM

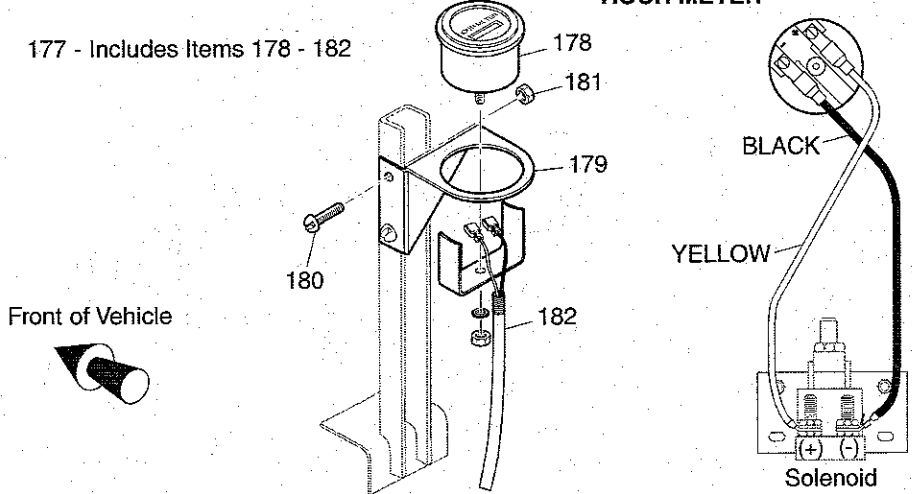
## CONSOLE INSERT PLATE (WITH POWER OUTLET SHOWN)



KEY SWITCH, INDICATOR LIGHT(S), AND FUEL GAUGE

## HOUR METER

177 - Includes Items 178 - 182

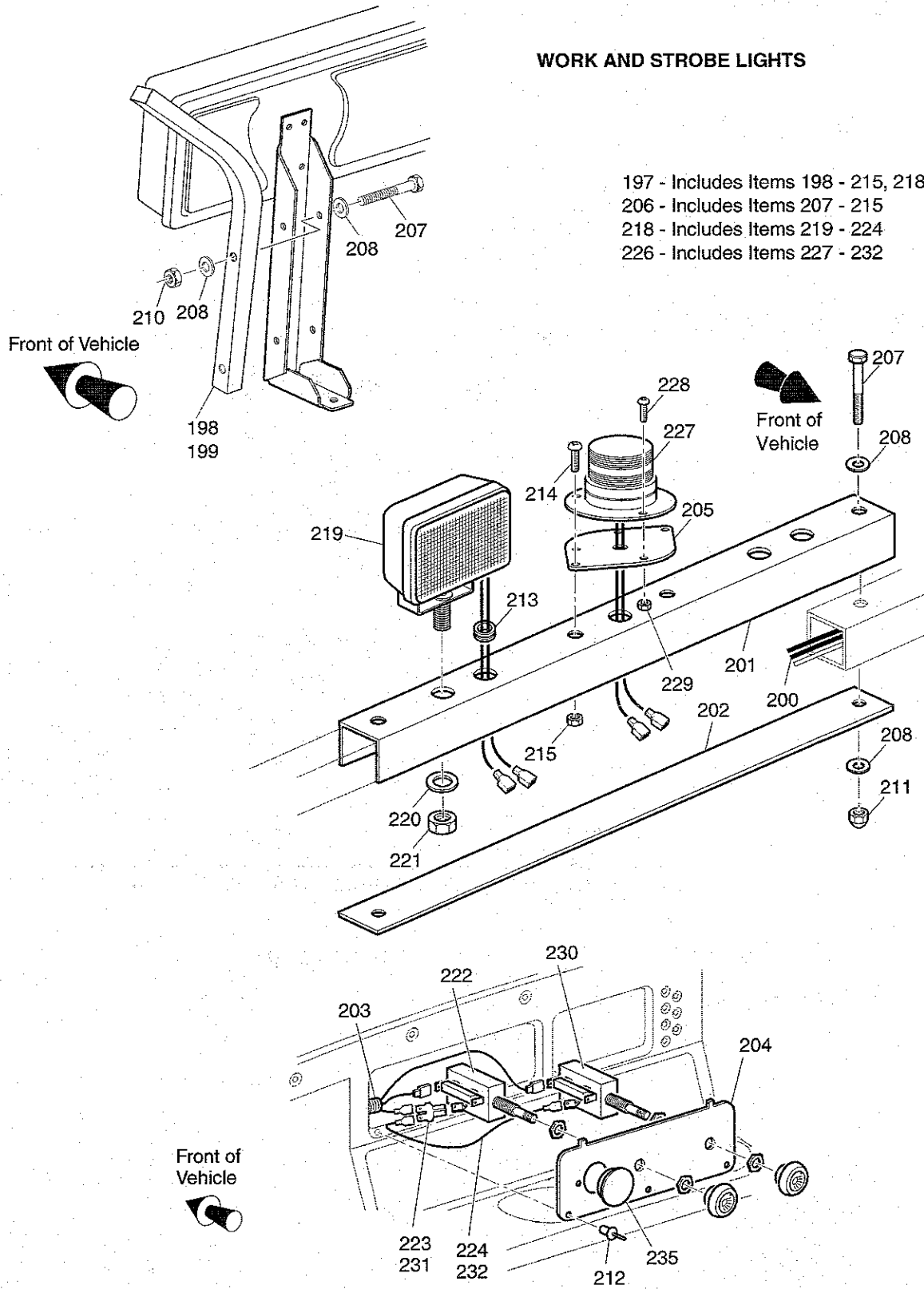


Ref Ele 5-6



# ELECTRICAL SYSTEM

## WORK AND STROBE LIGHTS



Ref Ele 23-7

## ELECTRICAL SYSTEM

Where applicable, THE USE OF NON UL PARTS WILL VOID ANY UL LISTING.

When ordering parts, please specify the model and serial number of the product.

\* Indicates a component that is not available as an individual part.

G\*\* Indicates consult Customer Service Department for additional information.

ITEM	PART NO.	1	2	3	4	5	DESCRIPTION	QTY.
1	72865-G01						IGNITION PICKUP ASSEMBLY (INCLUDES ITEM 2).....	1
2	26707-G01						BOLT AND WASHER ASSEMBLY, M5 X 0.8 X 10 MM LG .....	2
3								
4								
5								
6	72866-G01						IGNITION COIL ASSEMBLY (INCLUDES SPARK PLUG WIRES).....	1
7	*						FLAT WASHER .....	2
8	*						LOCK WASHER.....	2
9	72871-G01						SCREW.....	2
10								
11								
12								
13	25887-G01						6 GA WIRE (BLACK, 6", F1 - A2).....	1
14	25682-G1						TERMINAL COVER .....	3
15								
16								
17								
18	24775-G*						BATTERY, 12V .....	1
19	00962-G1						BOLT, 5/16 - 18 X 1 1/4" LG.....	2
20	00993-G01						LOCK WASHER, 5/16" (SILICON BRONZE).....	2
21	00994-G01						NUT, 5/16 - 18 (SILICON BRONZE) .....	2
22								
23	72101-G01						BATTERY HOLD DOWN.....	1
24	00438-G6						BOLT, 5/16 - 18 X 3/4" LG .....	1
25	00565-G8						LOCK WASHER, 5/16" .....	1
26	01110-G03						WASHER, 5/16" (STAINLESS STEEL) .....	1
27								
28								
29	27044-G03						GROUND CABLE.....	1
30	25976-G19						14 GA WIRE (BLACK, 6") .....	1

# ELECTRICAL SYSTEM

Where applicable, THE USE OF NON UL PARTS WILL VOID ANY UL LISTING.  
 When ordering parts, please specify the model and serial number of the product.  
 \* Indicates a component that is not available as an individual part.  
 G\*\* Indicates consult Customer Service Department for additional information.

ITEM	PART NO.	1 2 3 4 5	DESCRIPTION	QTY.
31	00438-G6		BOLT, 5/16 - 18 X 3/4" LG .....	2
32	11027-G1		LOCK NUT, 5/16 - 18 .....	2
33	26676-G01		FLANGED BOLT, M6 X 1 X 23 MM LG .....	1
34				
35	25972-G85		6 GA WIRE (BLACK 23", F2 - SOL).....	1
36				
37	74938-G01		WIRE HARNESS (CONTROL).....	1
38				
39				
40	17618-G1		WIRE TIE .....	AR
41				
42	73049-G01		COVER.....	1
43	16469-G1		WASHER, 1/4" .....	1
44	00114-G6		SCREW, 1/4 - 14 X 3/4" LG.....	1
45				
46				
47	72909-G01		ELECTRICAL PLATE ASSEMBLY (INCLUDES ITEMS 48 - 72) .....	1
48	73057-G01		BRACKET .....	1
49	27739-G01		VOLTAGE REGULATOR .....	1
50	27153-G01		SOLENOID .....	1
51	00415-G2		BOLT, 1/4 - 20 X 1 1/4" LG.....	1
52	00414-G8		BOLT, 1/4 - 20 X 1" LG.....	1
53	11027-G2		LOCK NUT, 1/4 - 20.....	2
54				
55				
56	72872-G01		IGNITOR .....	1
57	00414-G5		BOLT, 1/4 - 20 X 5/8" LG.....	1
58	11027-G2		LOCK NUT, 1/4 - 20.....	1
59				
60				

# ELECTRICAL SYSTEM

Where applicable, THE USE OF NON UL PARTS WILL VOID ANY UL LISTING.  
 When ordering parts, please specify the model and serial number of the product.  
 \* Indicates a component that is not available as an individual part.  
 G\*\* Indicates consult Customer Service Department for additional information.

ITEM	PART NO.	1	2	3	4	5	DESCRIPTION	QTY.
61								
62	73446-G01						FASTON TAB, 90° .....	2
63	00565-G5						LOCK WASHER, #10 .....	2
64	00526-G4						NUT, #10 - 32.....	2
65								
66								
67	25978-G56						18 GA WIRE (BLACK, 5 3/4").....	1
68								
69	22585-G3						IN-LINE FUSE HOLDER.....	1
70	00565-G8						LOCK WASHER, 5/16" .....	2
71	00544-G4						JAM NUT, 5/16 - 24.....	2
72	25972-G33						6 GA WIRE (BLACK, 24", B+ - SOL).....	1
73								
74								
75	22674-G1						FUSE BLOCK.....	1
76	01041-G01						RIVET, 5/32" X 3/8" LG .....	2
77	18392-G1						15 AMP FUSE .....	3
78								
79	35211-G01						FUSE BLOCK (6 POSITION).....	1
80	00379-G2						SCREW, #10 - 24 X 1 1/4" LG.....	2
81	00559-G5						WASHER, #10.....	2
82	14390-G10						LOCK NUT, #10 - 24 .....	2
83	35212-G01						FUSE, 15 AMP .....	AR
84	12914-G1						PUSH ON MALE TERMINAL .....	1
85	00567-G5						LOCK WASHER, #10 .....	1
86	00526-G4						NUT, #10 - 32 .....	1
87								
88	32860-G2						HORN.....	1
89	17318-G1						HORN SWITCH.....	1
90	17318-G2						HORN SWITCH CAP AND NUT .....	1

# ELECTRICAL SYSTEM

Where applicable, THE USE OF NON UL PARTS WILL VOID ANY UL LISTING.  
 When ordering parts, please specify the model and serial number of the product.  
 \* Indicates a component that is not available as an individual part.  
 G\*\* Indicates consult Customer Service Department for additional information.

ITEM	PART NO.	1 2 3 4 5	DESCRIPTION	QTY.
91	27068-G01		HORN SWITCH BOOT .....	1
92	19233-G1		HORN SWITCH LABEL .....	1
93	71055-G01		RIVET, 3/16" X 1" LG (ALUMINUM).....	2
94				
95				
96				
97				
98				
99				
100				
101				
102				
103				
104				
105				
106	20209-G3		HEADLIGHT (INCLUDES ITEM 107) (LX / SE).....	2
107	00906-G6		SCREW, #10 - 16 X 1" LG .....	2
108	74337-G01		HEADLIGHT JUMPER .....	2
109				
110	20570-G3		TURN SIGNAL LIGHT (INCLUDES ITEMS 111 - 116).....	2
111	20574-G3		TURN SIGNAL LIGHT .....	1
112	00660-G7		WASHER, 1/4" .....	1
113	20606-G1		WIRE ASSEMBLY .....	1
114	00567-G7		LOCK WASHER, 1/4" .....	1
115	00532-G1		NUT, 1/4 - 20.....	1
116	18995-G1		PUSH-ON MALE TERMINAL .....	1
117	20574-G5		LENS, AMBER .....	1
118	00118-G5		SCREW, #6 - 18 X 5/8" LG.....	2
119	74056-G01		TURN SIGNAL JUMPER, RED/BLACK (PASSENGER SIDE).....	1
120	74056-G02		TURN SIGNAL JUMPER, GREEN/BLACK (DRIVER SIDE) .....	1

## ELECTRICAL SYSTEM

Where applicable, THE USE OF NON UL PARTS WILL VOID ANY UL LISTING.

When ordering parts, please specify the model and serial number of the product.

\* Indicates a component that is not available as an individual part.

G\*\* Indicates consult Customer Service Department for additional information.

ITEM	PART NO.	1	2	3	4	5	DESCRIPTION	QTY.
121								
122								
123	32739-G2						TAILLIGHT ASSEMBLY (COMPLETE) .....	2
124								
125								
126	17867-G1						TURN SIGNAL (WITH MOUNTING HARDWARE) (INCLUDES ITEM 127) .....	1
127	21640-G1						TURN SIGNAL FLASHER .....	1
128	32307-G3						FLEX LOOM, 3/8 X 8" LG .....	1
129	17618-G1						WIRE TIE .....	2
130	20965-G3						STEERING COLUMN COVER.....	1
131								
132	72228-G01						WIRE HARNESS (ACCESSORY).....	1
133								
134	17421-G1						IGNITION SWITCH KIT (W/O LIGHTS - STANDARD - WITH HARDWARE) .....	1
135	17955-G1						IGNITION SWITCH (WITHOUT LIGHTS - NON STANDARD) .....	1
136	18027-G1						IGNITION SWITCH (WITHOUT LIGHTS - INDIVIDUALLY KEYED) .....	1
137	33639-G**						IGNITION SWITCH (WITH LIGHTS).....	1
138	00568-G6						LOCK WASHER, 3/4" .....	1
139	17137-G1						FACE NUT, 3/4 - 20.....	1
140	17063-G1						IGNITION KEY (SET).....	1
141	73041-G01						WIRE HARNESS (KEY SWITCH).....	1
142								
143								
144	73030-G01						PLATE (IGNITION SWITCH ONLY) .....	1
145	71181-G02						LABEL (IGNITION SWITCH ONLY) WITHOUT HEADLIGHTS .....	1
146	71181-G01						LABEL (IGNITION SWITCH ONLY) WITH HEADLIGHTS .....	1
147								
148								
149	73030-G04						PLATE (FUEL GAUGE AND OIL LIGHT).....	1
150	71127-G01						LABEL (OIL LIGHT AND FUEL GAUGE W/O HEADLIGHTS) .....	1

# ELECTRICAL SYSTEM

Where applicable, THE USE OF NON UL PARTS WILL VOID ANY UL LISTING.  
 When ordering parts, please specify the model and serial number of the product.  
 \* Indicates a component that is not available as an individual part.  
 G\*\* Indicates consult Customer Service Department for additional information.

ITEM	PART NO.	1	2	3	4	5	DESCRIPTION	QTY.
151	71131-G01						LABEL (OIL LIGHT AND FUEL GAUGE WITH HEADLIGHTS) .....	1
152	21553-G1						FUEL GAUGE .....	1
153	23474-G1						INDICATOR LIGHT .....	1
154	74311-G01						HARNESS (OIL LIGHT/FUEL GAUGE) .....	1
155	25978-G122						18 GA WIRE (RED 6").....	1
156								
157								
158	73030-G03						PLATE (LOW FUEL AND OIL LIGHT INDICATOR) .....	1
159	71125-G01						LABEL (LOW FUEL AND LOW OIL W/O HEADLIGHTS).....	1
160	71183-G01						LABEL (OIL AND FUEL LIGHTS WITH HEADLIGHTS) .....	1
161	23474-G1						INDICATOR LIGHT .....	2
162	74309-G01						HARNESS (OIL LIGHT/FUEL LIGHT) .....	1
163	25978-G74						18 GA WIRE (RED 6").....	1
164								
165	33623-G02						DRIVE RIVET, 3/16" X 3/8" LG .....	2
166								
167								
168	74444-G**						CONSOLE INSERT ASSEMBLY (WITH OR W/O POWER OUTLET) (INCLUDES ITEMS 169 - 172).....	1
169	71077-G03						CONSOLE INSERT PLATE .....	1
170	35966-G**						LABEL (CONSOLE INSERT PLATE).....	1
171	71078-G01						POWER OUTLET (12 VOLT).....	1
172	14601-G10						RIVET, 5/32" X 7/16" LG .....	2
173	33623-G01						DRIVE RIVET, 5/32" X 5/16" LG .....	3
174	71081-G01						WIRE HARNESS (POWER OUTLET) .....	1
175								
176								
177	75114-G02						HOUR METER KIT (INCLUDES ITEMS 178 - 182).....	1
178	21573-G1						HOUR METER ASSEMBLY.....	1
179	74019-G01						HOUR METER BRACKET .....	1

## ELECTRICAL SYSTEM

Where applicable, THE USE OF NON UL PARTS WILL VOID ANY UL LISTING.

When ordering parts, please specify the model and serial number of the product.

\* Indicates a component that is not available as an individual part.

G\*\* Indicates consult Customer Service Department for additional information.

ITEM	PART NO.	1	2	3	4	5	DESCRIPTION	QTY.
180	00150-G4						SCREW, #10 - 24 X 1/2" LG .....	2
181	11098-G7						LOCK NUT, #10 - 24 .....	2
182	75117-G01						WIRE HARNESS (HOUR METER).....	1
183								
184								
185								
186								
187								
188								
189								
190								
191								
192								
193								
194								
195								
196								
197	71323-G**						WORK LIGHT BAR WITH LIGHTS AND/OR STROBE (INCLUDES ITEMS 198 - 215, 218 AND/OR 226).....	1
198	75838-G03						STRUT (DRIVER SIDE).....	1
199	75838-G04						STRUT (PASSENGER SIDE).....	1
200	75346-G01						WIRE HARNESS (WORK LIGHT).....	1
201	71294-G02						BRACE.....	1
202	71293-G02						COVER PLATE .....	1
203	75430-G01						SWITCH HARNESS .....	1
204	73522-G**						CONSOLE INSERT PLATE .....	1
205	33201-G03						STROBE LIGHT MOUNT (USED ONLY WITH STROBE LIGHT).....	1
206	75365-G01						HARDWARE KIT (INCLUDES ITEMS 207 - 215).....	1
207	00685-G7						BOLT, 5/16 - 18 X 1 3/4" LG .....	6
208	00660-G8						WASHER, 5/16".....	12



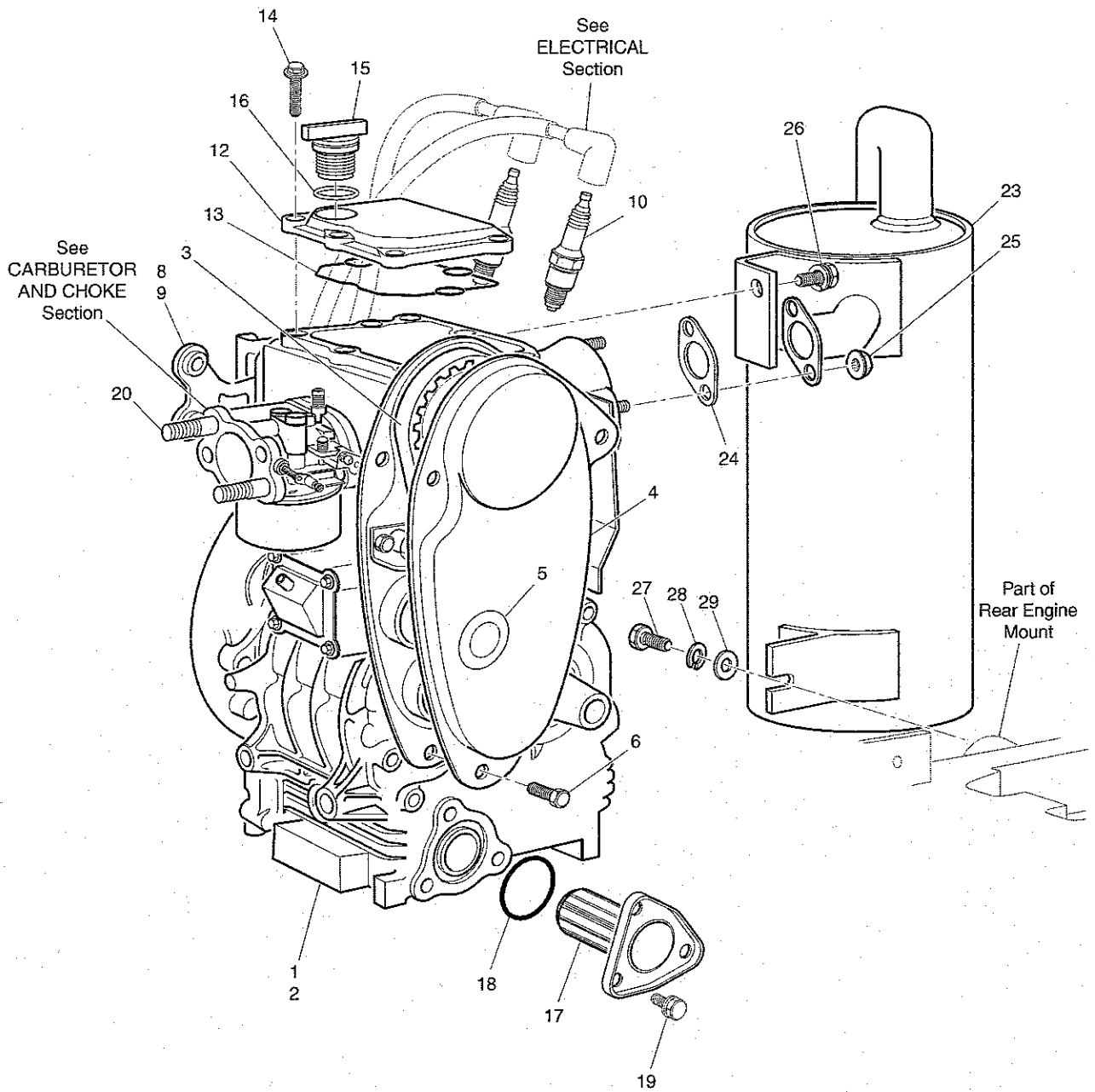
# ELECTRICAL SYSTEM

Where applicable, THE USE OF NON UL PARTS WILL VOID ANY UL LISTING.  
 When ordering parts, please specify the model and serial number of the product.  
 \* Indicates a component that is not available as an individual part.  
 G\*\* Indicates consult Customer Service Department for additional information.

ITEM	PART NO.	1	2	3	4	5	DESCRIPTION	QTY.
209	15121-G1						WASHER, 3/8" X 1 1/4".....	2
210	01109-G01						LOCK NUT, 5/16 - 18 .....	4
211	00918-G3						ACORN NUT, 5/16 - 18 .....	2
212	33623-G02						DRIVE RIVET, 3/16" X 3/8" LG.....	3
213	20367-G1						GROMMET.....	2
214	16705-G3						SCREW, 1/4 - 20 X 3/4" LG.....	2
215	14390-G4						LOCK NUT, 1/4 - 20 .....	2
216								
217								
218	20383-G2						WORK LIGHT KIT (INCLUDES ITEMS 219 - 224).....	1
219	20209-G2						WORK LIGHT (RECTANGULAR) .....	2
220	00566-G3						LOCK WASHER, 1/2".....	2
221	00533-G1						NUT, 1/2 - 13 .....	2
222	17317-G1						LIGHT SWITCH.....	1
223	17902-G1						TAB ADAPTER.....	1
224	20053-G1						16 GA WIRE (RED 5 3/8").....	1
225								
226	20385-G3						STROBE LIGHT KIT (INCLUDES ITEMS 227 - 232).....	1
227	20394-G4						STROBE LIGHT .....	1
228	00379-G4						SCREW, #10 - 24 x 1/2" LG .....	3
229	11098-G7						LOCK NUT, #10 - 24 .....	3
230	17317-G1						LIGHT SWITCH.....	1
231	17902-G1						TAB ADAPTER.....	1
232	20053-G1						16 GA WIRE (RED 5 3/8").....	1
233								
234								
235	20271-G10						HOLE PLUG.....	1

# ELECTRICAL SYSTEM

# ENGINE AND MUFFLER



Ref Emf 2

## ENGINE AND MUFFLER

Where applicable, THE USE OF NON UL PARTS WILL VOID ANY UL LISTING.

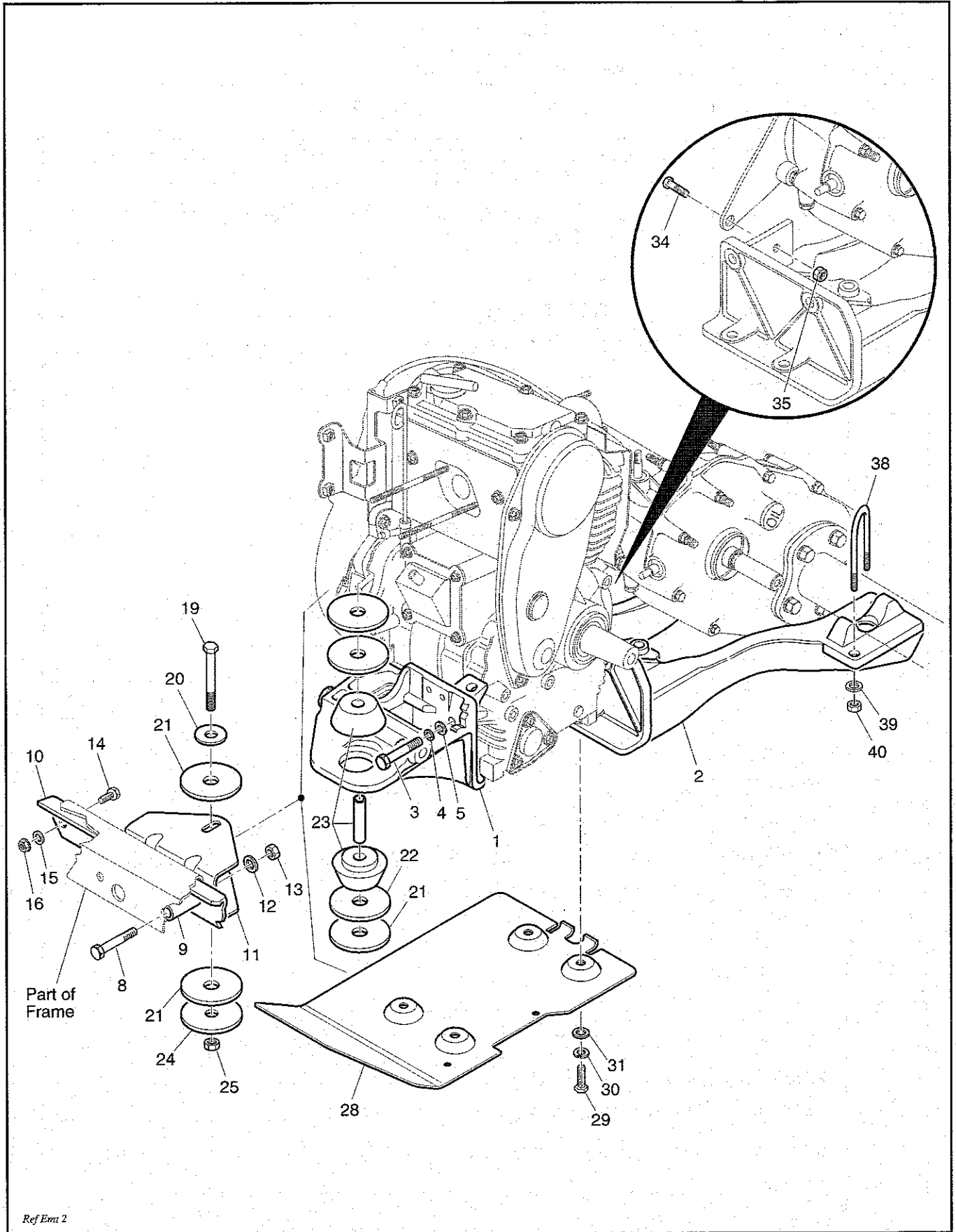
When ordering parts, please specify the model and serial number of the product.

\* Indicates a component that is not available as an individual part.

G\*\* Indicates consult Customer Service Department for additional information.

ITEM	PART NO.	1	2	3	4	5	DESCRIPTION	QTY.
1	72845-G01						ENGINE (FOR VEHICLES ORIGINALLY EQUIPPED WITH 295cc (EH29C) (INCLUDES ITEMS 3 - 8, 10 - 20) .....	1
2	72846-G01						ENGINE (FOR VEHICLES ORIGINALLY EQUIPPED WITH 350cc (EH35C) (INCLUDES ITEMS 3 - 6, 9 - 20) .....	1
3	26626-G01						TIMING BELT .....	1
4	72908-G01						TIMING BELT COVER .....	1
5	26631-G01						TIMING BELT COVER GROMMET .....	1
6	26678-G01						BOLT, M6 X 1 X 12 MM LG .....	3
7								
8	72885-G01						IGNITION COIL BRACKET (295cc) .....	1
9	72869-G01						IGNITION COIL BRACKET (350cc) .....	1
10	25523-G3						SPARK PLUG (NGK BPR4ES - RESISTOR) .....	2
11								
12	72848-G01						VALVE COVER .....	1
13	72876-G01						VALVE COVER GASKET .....	1
14	26676-G01						FLANGED BOLT, M6 X 1 X 23 MM LG .....	6
15	26601-G01						OIL FILLER CAP .....	1
16	26720-G01						OIL FILLER 'O' RING .....	1
17	26591-G01						OIL FILTER .....	1
18	26710-G01						OIL FILTER 'O' RING .....	1
19	26680-G01						BOLT AND WASHER, M6 X 1 X 12 MM LG .....	3
20	72307-G01						STUD, M6 X 1 X 115MM LG .....	2
21								
22								
23	74829-G01						MUFFLER .....	1
24	25531-G1						EXHAUST GASKET .....	1
25	26827-G01						NUT, M8 X 1.25MM .....	2
26	25532-G1						BOLT AND WASHER, M8 X 1.25 X 18 MM LG .....	1
27	00438-G8						BOLT, 5/16 - 18 X 1" LG .....	1
28	00565-G8						LOCK WASHER, 5/16" .....	1
29	00642-G8						WASHER, 5/16" .....	1

# ENGINE MOUNTING



## ENGINE MOUNTING

Where applicable, THE USE OF NON UL PARTS WILL VOID ANY UL LISTING.

When ordering parts, please specify the model and serial number of the product.

\* Indicates a component that is not available as an individual part.

G\*\* Indicates consult Customer Service Department for additional information.

ITEM	PART NO.	1	2	3	4	5	DESCRIPTION	QTY.
1	72010-G01						FRONT ENGINE MOUNT .....	1
2	72011-G01						REAR ENGINE MOUNT .....	1
3	00463-G4						BOLT, 7/16 - 14 X 1 1/2" LG .....	4
4	00566-G2						LOCK WASHER, 7/16".....	4
5	00922-G3						WASHER, 7/16" .....	4
6								
7								
8	00428-G6						BOLT, 3/8 - 16 X 2 3/4" LG .....	2
9	72016-G01						SPACER.....	2
10	70269-G02						CROSSMEMBER BRACE .....	1
11	72044-G02						MOUNT BRACKET .....	1
12	00643-G1						WASHER, 3/8" .....	2
13	11098-G5						LOCK NUT, 3/8 - 16 .....	2
14	00438-G7						BOLT, 5/16 - 18 X 7/8" LG .....	2
15	01110-G03						WASHER, 5/16" (STAINLESS STEEL) .....	2
16	01109-G01						LOCK NUT, 5/16 - 18 (STAINLESS STEEL) .....	2
17								
18								
19	00430-G4						BOLT, 3/8 - 16 X 4 1/2" LG .....	1
20	15121-G1						WASHER, 3/8" .....	1
21	72050-G01						PLASTIC WASHER, 2 1/4" OD X 5/8" ID X 1/8" .....	4
22	72051-G01						WASHER, 2 1/2" OD X 5/8" ID X 1/8" .....	2
23	72015-G01						ISOLATION MOUNT .....	1
24	72051-G02						WASHER, 3/8" .....	1
25	11098-G5						LOCK NUT, 3/8 - 16 .....	1
26								
27								
28	72719-G03						ENGINE GUARD.....	1
29	00463-G4						BOLT, 7/16 - 14 X 1 1/2" LG .....	4
30	00566-G2						LOCK WASHER, 7/16".....	4

# ENGINE MOUNTING

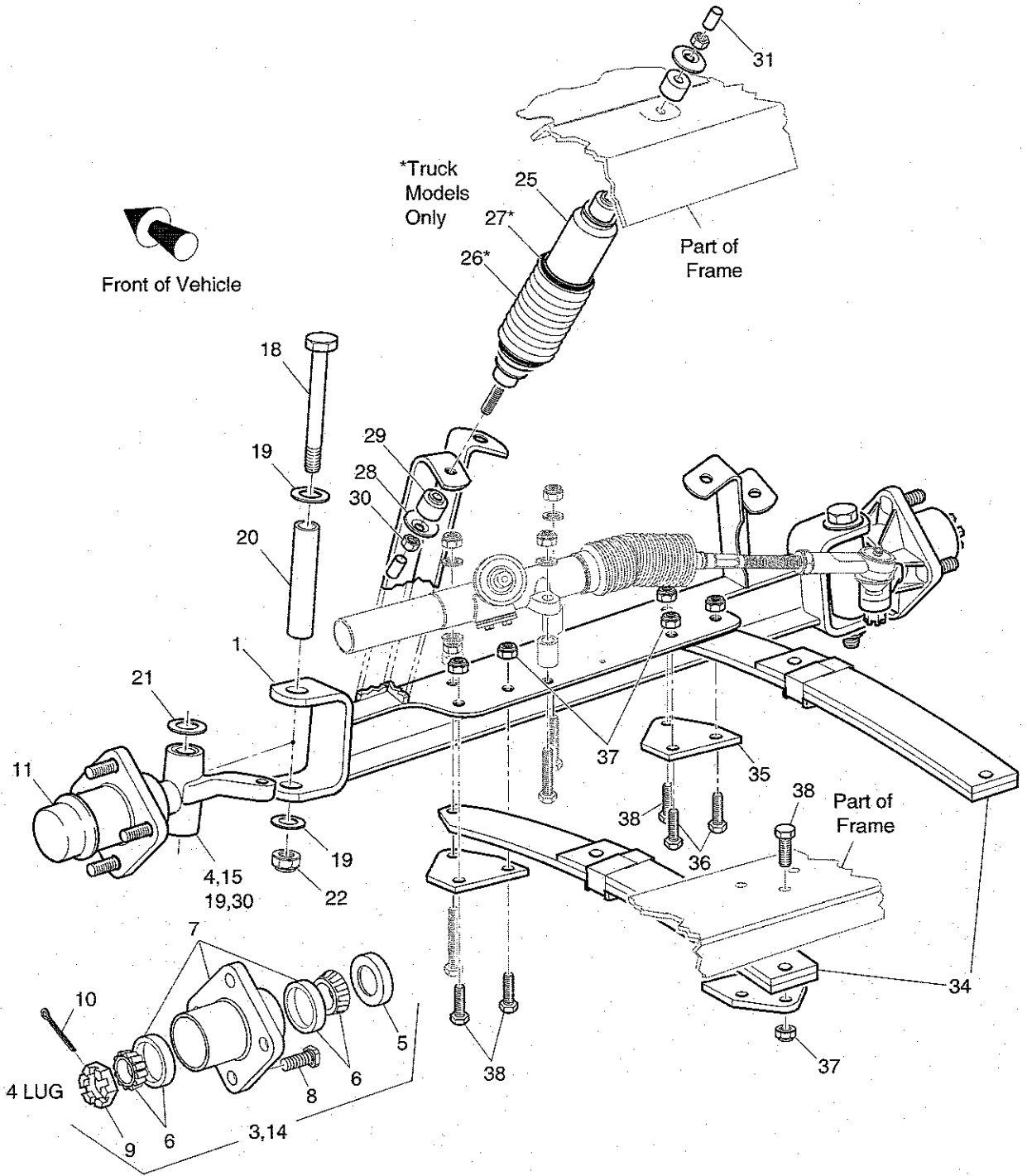
Where applicable, THE USE OF NON UL PARTS WILL VOID ANY UL LISTING.  
 When ordering parts, please specify the model and serial number of the product.  
 \* Indicates a component that is not available as an individual part.  
 G\*\* Indicates consult Customer Service Department for additional information.

ITEM	PART NO.	1 2 3 4 5	DESCRIPTION	QTY.
31	00922-G3		WASHER, 7/16" .....	4
32				
33				
34	00439-G1		BOLT, 5/16 - 18 X 1 1/8" LG .....	1
35	01109-G01		LOCK NUT, 5/16 - 18 (STAINLESS STEEL) .....	1
36				
37				
38	72035-G01		'U' BOLT, 7/16 - 14 X 3 7/16" X 3 9/16" LG .....	2
39	00922-G3		WASHER, 7/16" .....	4
40	00734-G1		LOCK NUT, 7/16 - 14 .....	4

## ENGINE MOUNTING



# FRONT SUSPENSION/STEERING

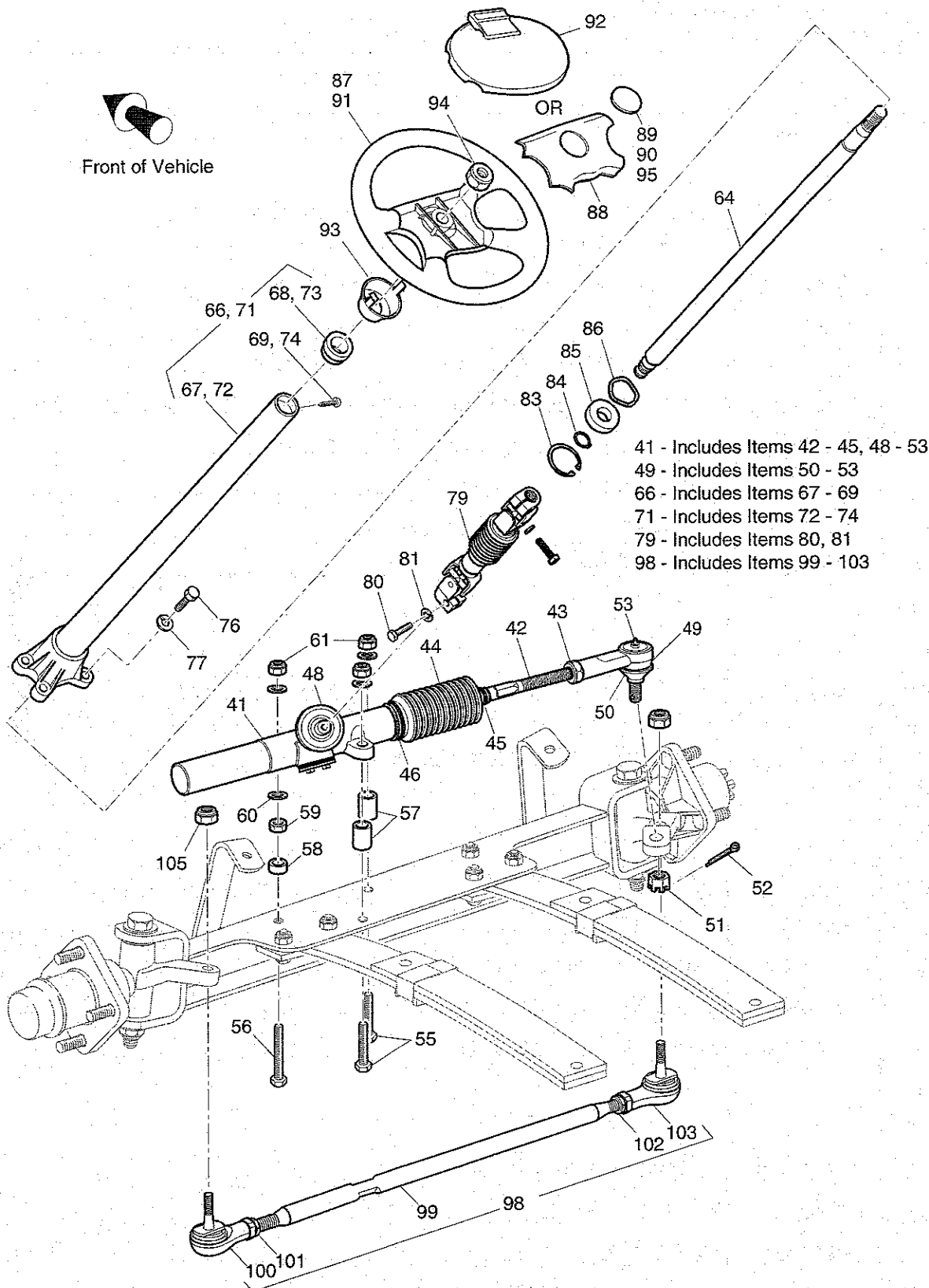


3 - Includes Items 4 -10  
 7 - Includes Item 8  
 14 - Includes Items 5 - 10, 15

\*NOTE: Tie Rod Not Shown for Clarity

Ref Fss 21-1

# FRONT SUSPENSION/STEERING



Ref Pss 21-2

## FRONT SUSPENSION/STEERING

THE USE OF NON U.L. PARTS WILL VOID ANY U.L. LISTING.

When ordering parts, please specify the model and serial number of the product.

\* Indicates a component that is not available as an individual part.

G\*\* Indicates consult Customer Service Department for additional information.

ITEM	PART NO.	1	2	3	4	5	DESCRIPTION	QTY.
1	74600-G02						FRONT AXLE.....	1
2								
3	70942-G03						SPINDLE AND HUB ASSEMBLY, 4 LUG (PASSENGER SIDE) (INCLUDES ITEMS 4 - 10).....	1
4	70942-G02						SPINDLE ASSEMBLY (PASSENGER SIDE).....	1
5	25146-G1						GREASE SEAL.....	1
6	50892-G1						ROLLER BEARING AND RACE ASSEMBLY.....	2
7	70895-G01						WHEEL HUB ASSEMBLY WITH RACES, 4 LUG (INCLUDES ITEM 8) .....	1
8	19862-G1						LUG BOLT, 1/2 - 20 X 1 7/32" LG.....	4
9	12093-G1						SLOTTED NUT, 1 - 14.....	1
10	00798-G8						COTTER PIN, 5/32" X 1 3/4" LG .....	1
11	12091-G2						SPINDLE CAP.....	2
12								
13								
14	70673-G03						SPINDLE AND HUB ASSEMBLY, 4 LUG (DRIVER SIDE) (INCLUDES ITEMS 5 - 10, 15).....	1
15	70673-G02						SPINDLE ASSEMBLY (DRIVER SIDE).....	1
16								
17								
18	00407-G6						BOLT, 1/2 - 13 X 6" LG .....	2
19	00560-G3						WASHER, 1/2" .....	4
20	70745-G01						KING PIN TUBE.....	2
21	70754-G01						THRUST WASHER (STAINLESS STEEL).....	2
22	14390-G6						LOCK NUT, 1/2 - 13 .....	2
23								
24								
25	70928-G01						SHOCK ABSORBER.....	2
26	70509-G01						SHOCK ABSORBER BOOT .....	2
27	31539-G1						WIRE TIE .....	4
28	10435-G1						SHOCK ABSORBER WASHER.....	8
29	10194-G1						RUBBER SHOCK ABSORBER BUSHING.....	8

## FRONT SUSPENSION/STEERING

THE USE OF NON U.L. PARTS WILL VOID ANY U.L. LISTING.

When ordering parts, please specify the model and serial number of the product.

\* Indicates a component that is not available as an individual part.

G\*\* Indicates consult Customer Service Department for additional information.

ITEM	PART NO.	1	2	3	4	5	DESCRIPTION	QTY.
30	00532-G6						NUT, 3/8 - 24 .....	4
31	10044-G01						VINYL CAP .....	4
32								
33								
34	70664-G03						LEAF SPRING (HEAVY DUTY) (SEE PART NUMBER ON SPRING) .....	2
35	70163-G03						SPRING PLATE .....	4
36	00463-G4						BOLT, 7/16 - 14 X 1 1/2" LG .....	2
37	00734-G1						LOCK NUT, 7/16 - 14 .....	9
38	00463-G6						BOLT, 7/16 - 14 X 1 3/4" LG .....	9
39								
40								
41	74605-G01						RACK AND PINION UNIT (COMPLETE) (INCLUDES ITEMS 42 - 45, 48 - 53) .....	1
42	74602-G01						RACK EXTENSION .....	1
43	*						JAM NUT, 1/2 - 20 .....	1
44	70675-G01						RACK BOOT .....	1
45	17618-G1						WIRE TIE .....	1
46	12416-G2						WIRE TIE .....	1
47								
48	70638-G01						PINION SEAL .....	1
49	70695-G01						RACK BALL JOINT (INCLUDES ITEMS 50 - 53) .....	1
50	50641-G1						RUBBER BOOT .....	1
51	50209-G2						SLOTTED NUT, 7/16 - 20 .....	1
52	10387-G2						COTTER PIN, 3/32" X 1" LG .....	1
53	10389-G3						GREASE FITTING, STRAIGHT .....	1
54								
55	00464-G6						BOLT, 7/16 - 14 X 2 3/4" LG .....	2
56	01068-G01						BOLT, 7/16 - 14 X 3 1/2" LG .....	1
57	70667-G03						SPACER .....	2
58	70667-G03						SPACER (SHORT) .....	1
59	00532-G7						NUT, 7/16 - 14 .....	1

# FRONT SUSPENSION/STEERING

THE USE OF NON U.L. PARTS WILL VOID ANY U.L. LISTING.

When ordering parts, please specify the model and serial number of the product.

\* Indicates a component that is not available as an individual part.

G\*\* Indicates consult Customer Service Department for additional information.

ITEM	PART NO.	1	2	3	4	5	DESCRIPTION	QTY.
60	00560-G2						FLAT WASHER, 7/16" .....	4
61	00734-G1						LOCK NUT, 7/16 - 14 .....	3
62								
63								
64	70607-G01						STEERING SHAFT .....	1
65								
66	70758-G05						STEERING COLUMN KIT (INCLUDES ITEMS 67 - 69) .....	1
67	70610-G01						STEERING COLUMN .....	1
68	28569-G01						STEERING COLUMN BUSHING .....	1
69	01022-G01						SCREW, #6 - 20 X 5/16" LG .....	1
70								
71	70758-G04						STEERING COLUMN KIT (HORN) (INCLUDES ITEMS 72 - 74) .....	1
72	70610-G02						STEERING COLUMN .....	1
73	28569-G01						STEERING COLUMN BUSHING .....	1
74	01022-G01						SCREW, #6 - 20 X 5/16" LG .....	1
75								
76	01006-G01						BOLT, 3/8 - 16 X 1 1/4" LG WITH PATCHLOCK .....	4
77	00879-G1						LOCK WASHER, 3/8" .....	4
78								
79	70580-G01						INTERMEDIATE SHAFT (INCLUDES ITEMS 80, 81) .....	1
80	01055-G01						BOLT, M8 X 1 1/4" LG .....	2
81	00565-G8						LOCK WASHER, 5/16" .....	2
82								
83	70751-G01						RETAINING RING (INTERNAL) .....	1
84	70888-G01						RETAINING RING (EXTERNAL) .....	1
85	15112-G1						BALL BEARING .....	1
86	70887-G01						WAVE WASHER .....	1
87	71146-G01						STEERING WHEEL .....	1
88	71147-G01						STEERING WHEEL COVER .....	1
89	74815-G01						LABEL (E-Z-GO) .....	1

## FRONT SUSPENSION/STEERING

THE USE OF NON U.L. PARTS WILL VOID ANY U.L. LISTING.

When ordering parts, please specify the model and serial number of the product.

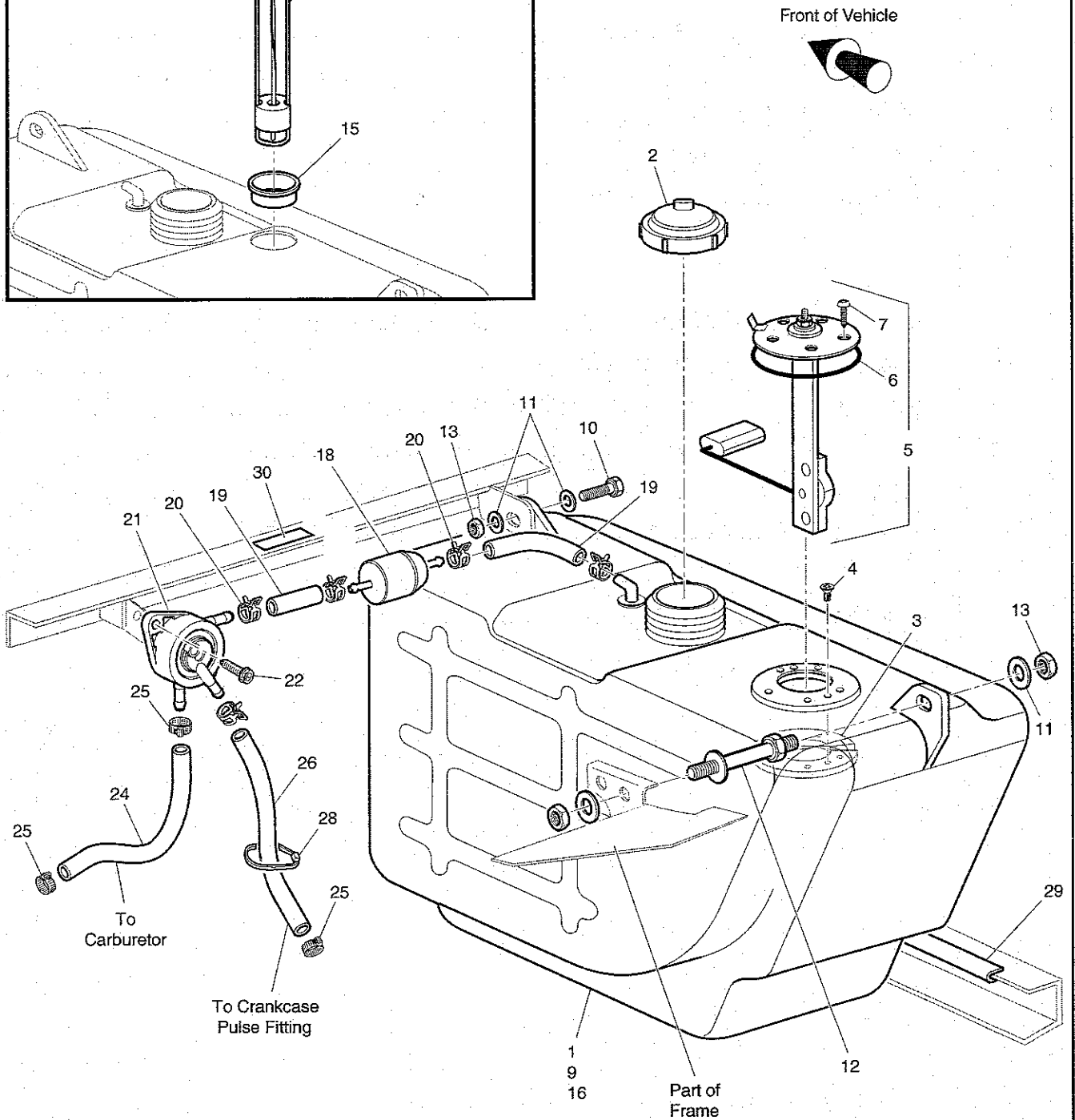
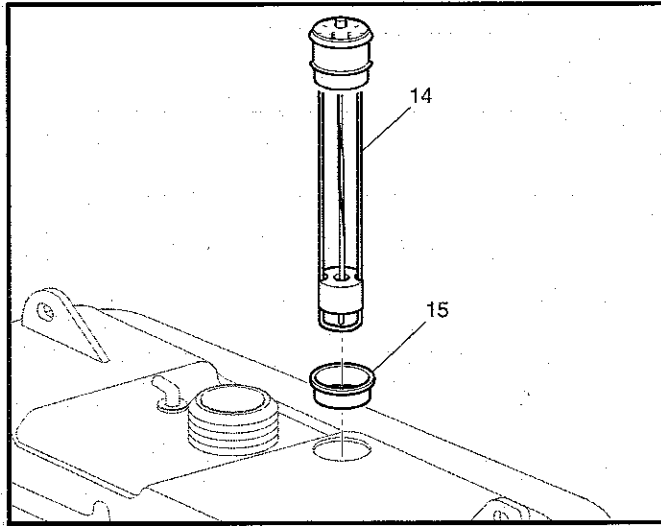
\* Indicates a component that is not available as an individual part.

G\*\* Indicates consult Customer Service Department for additional information.

ITEM	PART NO.	1	2	3	4	5	DESCRIPTION	QTY.
90	74954-G01						LABEL (CUSHMAN).....	1
91	71948-G01						STEERING WHEEL .....	1
92	71950-G01						CLIPBOARD.....	1
93	71949-G01						HUB COVER.....	1
94	14390-G2						LOCK NUT, 5/8 - 18 .....	1
95	28909-G01						LABEL (JACOBSEN) .....	1
96								
97								
98	74604-G01						TIE ROD ASSEMBLY (INCLUDES ITEMS 127 - 131).....	1
99	70897-G02						THREADED ROD (24" LG).....	1
100	70902-G01						TIE ROD END (LEFT HAND THREADS) .....	1
101	01069-G01						JAM NUT, M12 X 1.25-05 (LEFT HAND THREADS).....	1
102	70902-G02						TIE ROD END (RIGHT HAND THREADS).....	1
103	01069-G02						JAM NUT, M12 X 1.25-05 (RIGHT HAND THREADS).....	1
104								
105	00734-G1						LOCK NUT, 7/16 - 14 .....	2

# FUEL SYSTEM

## MECHANICAL GAUGE



Ref E5y 2

## FUEL SYSTEM

Where applicable, THE USE OF NON UL PARTS WILL VOID ANY UL LISTING.

When ordering parts, please specify the model and serial number of the product.

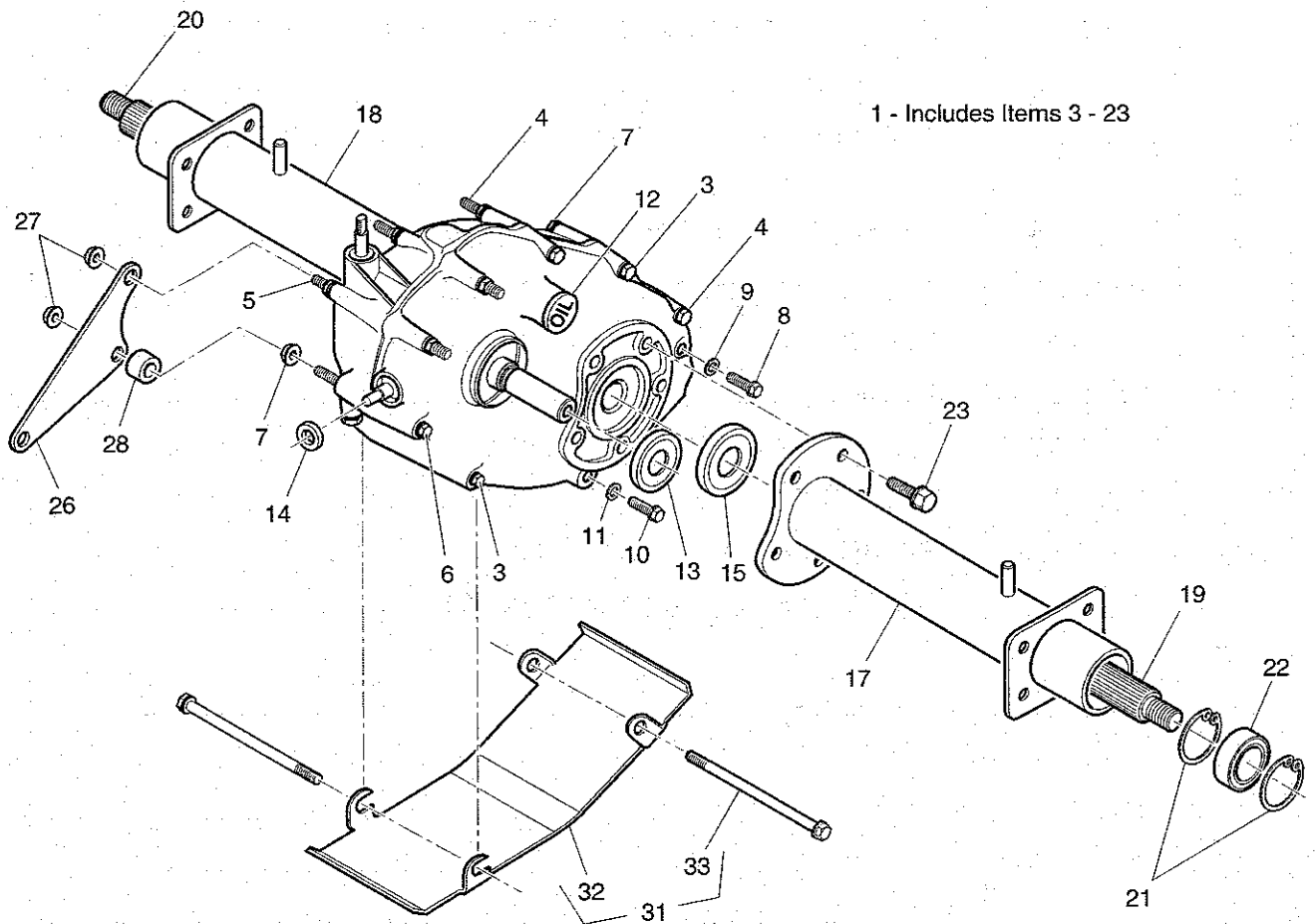
\* Indicates a component that is not available as an individual part.

G\*\* Indicates consult Customer Service Department for additional information.

ITEM	PART NO.	1	2	3	4	5	DESCRIPTION	QTY.
1	72092-G01						FUEL TANK (FOR VEHICLES WITHOUT GAUGE) .....	1
2	72282-G01						FUEL TANK CAP.....	1
3	72229-G01						FUEL LEVEL SENDER ADAPTER .....	1
4	72230-G01						SCREW, #6 - 32 X 1/2" LG.....	2
5	20048-G2						FUEL LEVEL SENDER (ELEC. FUEL GAUGE) (INCLUDES ITEMS 6, 7) .....	1
6	*						GASKET .....	1
7	72232-G01						SCREW, #10 - 32 x 3/4" LG.....	5
8								
9	72092-G02						FUEL TANK (FOR ELECTRIC FUEL GAUGE) .....	1
10	00438-G8						BOLT, 5/16 - 18 X 1" LG .....	1
11	00559-G8						WASHER, 5/16" .....	4
12	70483-G01						SPACER.....	1
13	01109-G01						LOCK NUT, 5/16 - 18 (STAINLESS STEEL) .....	3
14	72281-G01						FUEL GAUGE (MECHANICAL) .....	1
15	72280-G01						GROMMET.....	1
16	72092-G04						FUEL TANK (FOR MECHANICAL GAUGE) .....	1
17								
18	72084-G01						FUEL FILTER .....	1
19	17470-G1						FUEL SYSTEM TUBING, 1/4" ID X 1/2" OD (BULK).....	A/R
20	18292-G1						CLAMP .....	5
21	72873-G01						FUEL PUMP.....	1
22	00114-G6						SCREW, 1/4 - 14 X 3/4" LG.....	2
23								
24	17470-G1						FUEL SYSTEM TUBING, 1/4" ID X 1/2" OD (BULK).....	A/R
25	11391-G4						HOSE CLAMP, 1/4" .....	3
26	27183-G01						TUBING, 1/4" I.D. X 1/2" O.D. (BULK) .....	A/R
27								
28	17618-G1						WIRE TIE .....	3
29	22280-G1						VINYL TRIM - BLACK, (BULK) .....	A/R
30	26459-G01						LABEL (UNLEADED GASOLINE ONLY) .....	1



# REAR AXLE



Ref Rax 5

## REAR AXLE

THE USE OF NON U.L. PARTS WILL VOID ANY U.L. LISTING.

When ordering parts, please specify the model and serial number of the product.

\* Indicates a component that is not available as an individual part.

G\*\* Indicates consult Customer Service Department for additional information.

ITEM	PART NO.	1	2	3	4	5	DESCRIPTION	QTY.
1	72715-G01						REAR AXLE (13.32:1) (INCLUDES ITEMS 3 - 23) .....	1
2								
3	26823-G01						FLANGED BOLT, M8 X 1.25 X 100 MM LG.....	5
4	26824-G01						FLANGED BOLT, M8 X 1.25 X 110 MM LG.....	2
5	*						BOLT, M8 X 1.25 X 146 MM LG.....	2
6	72052-G01						FLANGED BOLT, M8 X 1.25 X 130 MM LG.....	1
7	72269-G01						FLANGE NUT, M8 X 1.25 MM .....	12
8	26768-G01						OIL CHECK PLUG.....	1
9	26769-G01						GASKET, 8 MM.....	1
10	26770-G01						OIL DRAIN PLUG .....	1
11	26771-G01						GASKET, 14 MM.....	1
12	26772-G01						OIL FILLER PLUG .....	1
13	26761-G01						INPUT SHAFT SEAL .....	1
14	26762-G01						SHIFTER SHAFT SEAL.....	1
15	72259-G01						AXLE SHAFT SEAL.....	2
16								
17	72115-G01						AXLE TUBE (DRIVER SIDE).....	1
18	72116-G01						AXLE TUBE (PASSENGER SIDE) .....	1
19	72056-G01						AXLE SHAFT (DRIVER SIDE).....	1
20	72057-G01						AXLE SHAFT (PASSENGER SIDE) .....	1
21	26814-G01						RETAINING RING.....	4
22	26811-G01						BALL BEARING.....	2
23	72260-G01						FLANGED BOLT, M10 X 1.5 X 23 MM LG.....	10
24								
25								
26	72017-G02						AXLE BRACKET .....	1
27	26830-G01						LOCK NUT, M8 X 1.25 MM .....	2
28	75048-G01						SPACER, 1/2".....	1
29								
30								

# REAR AXLE

THE USE OF NON U.L. PARTS WILL VOID ANY U.L. LISTING.

When ordering parts, please specify the model and serial number of the product.

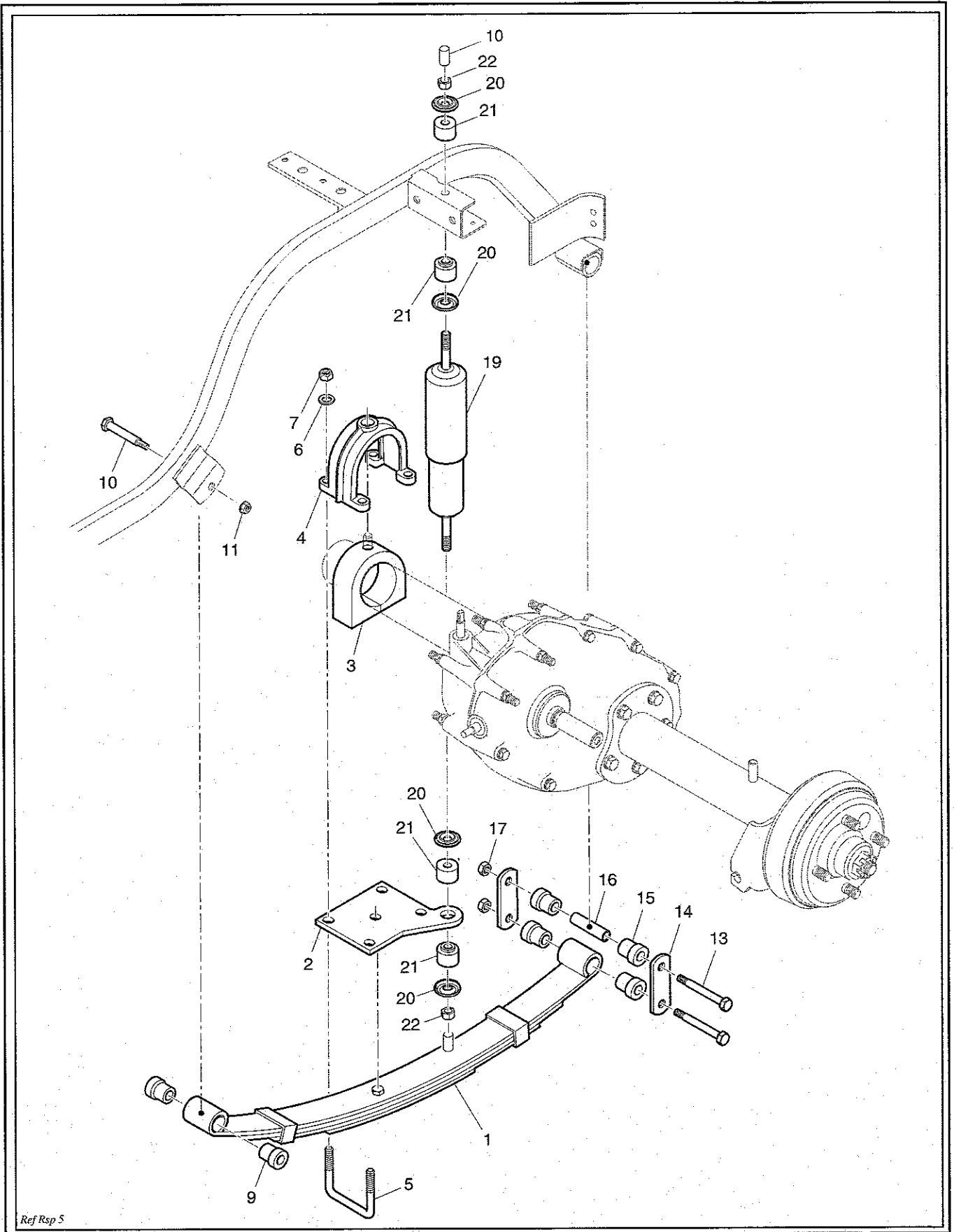
\* Indicates a component that is not available as an individual part.

G\*\* Indicates consult Customer Service Department for additional information.

ITEM	PART NO.	1	2	3	4	5	DESCRIPTION	QTY.
31	72347-G02						DIFFERENTIAL GUARD KIT (INCLUDES ITEMS 32 - 33) .....	1
32	72349-G02						DIFFERENTIAL GUARD .....	1
33	26824-G01						FLANGED BOLT, M8 X 1.25 X 110 MM LG .....	2

## REAR AXLE

# REAR SUSPENSION



## REAR SUSPENSION

THE USE OF NON U.L. PARTS WILL VOID ANY U.L. LISTING.

When ordering parts, please specify the model and serial number of the product.

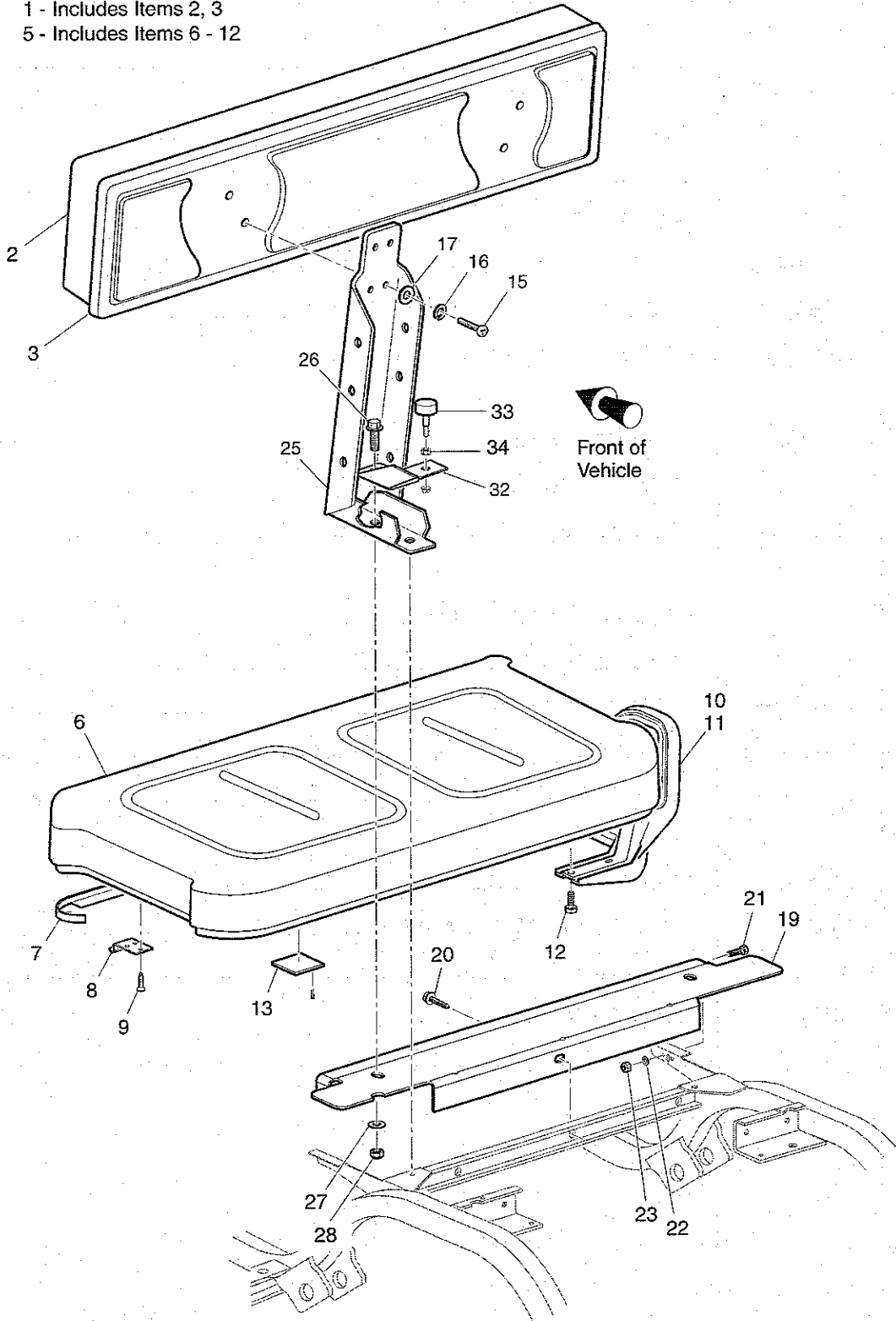
\* Indicates a component that is not available as an individual part.

G\*\* Indicates consult Customer Service Department for additional information.

ITEM	PART NO.	1 2 3 4 5	DESCRIPTION	QTY.
1	74345-G03		LEAF SPRING (800 / 280) .....	2
2	72028-G01		ISOMOUNT BASE PLATE .....	2
3	72117-G01		ISOMOUNT BUSHING.....	2
4	72037-G01		ISOMOUNT CAP.....	2
5	72618-G01		'U' BOLT, 3/8 - 16 .....	4
6	00560-G1		WASHER, 3/8" .....	8
7	11098-G5		LOCK NUT, 3/8 - 16 .....	8
8				
9	70291-G01		FLANGED BUSHING .....	4
10	14158-G1		SHOULDER BOLT, 3/8 - 16 x 3 1/4" LG.....	2
11	12262-G1		LOCK NUT, 3/8 - 16 .....	2
12				
13	00429-G4		BOLT, 3/8 - 16 X 3 1/2" LG .....	4
14	70290-G01		SHACKLE PLATE .....	4
15	70291-G01		FLANGED BUSHING .....	8
16	70289-G02		SPACER.....	4
17	11098-G5		LOCK NUT, 3/8 - 16 .....	4
18				
19	70248-G01		SHOCK ABSORBER.....	2
20	10435-G1		SHOCK ABSORBER WASHER .....	8
21	10194-G1		RUBBER BUSHING .....	8
22	00532-G6		NUT, 3/8 - 24 .....	4
23	10044-G01		VINYL CAP.....	4

# SEATING

- 1 - Includes Items 2, 3
- 5 - Includes Items 6 - 12



Ref Sea 23

# SEATING

THE USE OF NON U.L. PARTS WILL VOID ANY U.L. LISTING.

When ordering parts, please specify the model and serial number of the product.

\* Indicates a component that is not available as an individual part.

G\*\* Indicates consult Customer Service Department for additional information.

ITEM	PART NO.	1 2 3 4 5	DESCRIPTION	QTY.
1	71274-G**		SEAT BACK ASSEMBLY (INCLUDES ITEMS 2, 3).....	1
2	18144-G**		VINYL SEAT BACK COVER .....	1
3	18868-G4		PLASTIC SEAT BACK COVER (BLACK) .....	1
4				
5	71664-G**		SEAT BOTTOM ASSEMBLY (INCLUDES ITEMS 6 - 12).....	1
6	71602-G**		VINYL SEAT BOTTOM COVER .....	1
7	71012-G01		VINYL TRIM (SEAT BOTTOM).....	1
8	71610-G01		SEAT HINGE .....	2
9	00720-G08		SCREW, #12 - 14 X 1" LG .....	6
10	71701-G01		HIP RESTRAINT (PASSENGER SIDE).....	1
11	71702-G01		HIP RESTRAINT (DRIVER SIDE) .....	1
12	71204-G01		BOLT, 1/4 - 20 X 7/8" LG.....	8
13	17074-G1		RUBBER PAD .....	2
14				
15	16705-G1		SCREW, 1/4 - 20 X 1" LG.....	4
16	00664-G7		LOCK WASHER, 1/4" (STAINLESS STEEL) .....	4
17	01110-G7		WASHER, 1/4" (STAINLESS STEEL) .....	4
18				
19	71262-G03		SEAT BACK SUPPORT .....	1
20	00715-G2		BOLT, 5/16 - 18 X 13/16" LG .....	1
21	00438-G8		BOLT, 5/16 - 18 X 1" LG .....	2
22	00642-G8		WASHER, 5/16" .....	2
23	11098-G6		LOCK NUT, 5/16 - 18 .....	2
24				
25	75900-G02		SEAT BACK SUPPORT BRACKET .....	2
26	01006-G1		BOLT, 3/8 - 16 X 1 1/4" LG .....	4
27	00560-G1		WASHER, 3/8" .....	2
28	11098-G5		LOCK NUT, 3/8 - 16 .....	2
29				
30	75921-G01		BED BUMPER.....	2



# SEATING

THE USE OF NON U.L. PARTS WILL VOID ANY U.L. LISTING.

When ordering parts, please specify the model and serial number of the product.

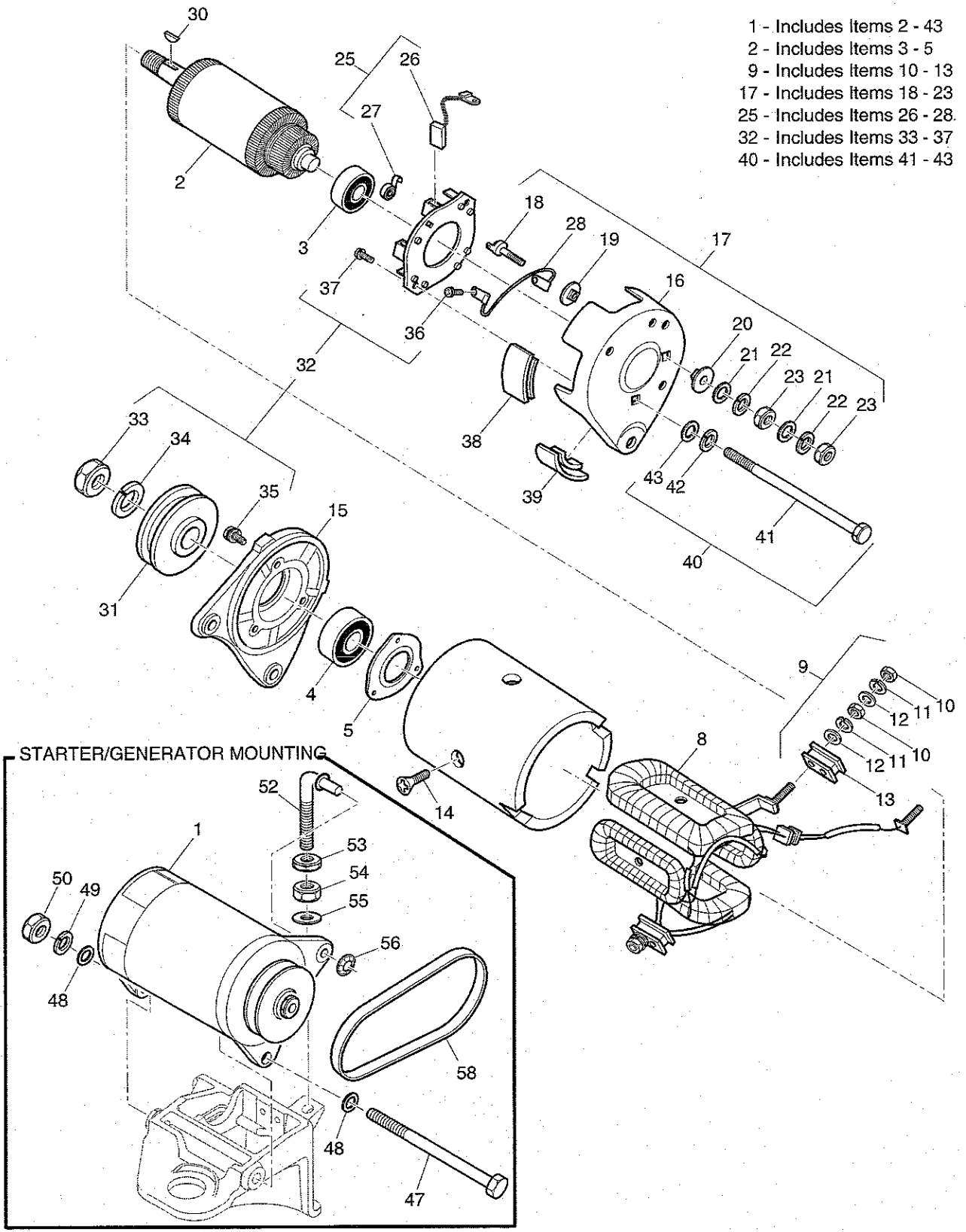
\* Indicates a component that is not available as an individual part.

G\*\* Indicates consult Customer Service Department for additional information.

ITEM	PART NO.	1 2 3 4 5	DESCRIPTION	QTY.
31				
32	71577-G01		BED BUMPER BRACKET.....	2
33	70113-G01		ADJUSTABLE BUMPER.....	2
34	11027-G1		NUT, 5/16" - 18.....	4



# STARTER / GENERATOR



Ref Stg 5

# STARTER / GENERATOR

THE USE OF NON U.L. PARTS WILL VOID ANY U.L. LISTING.

When ordering parts, please specify the model and serial number of the product.

\* Indicates a component that is not available as an individual part.

G\*\* Indicates consult Customer Service Department for additional information.

ITEM	PART NO.	1	2	3	4	5	DESCRIPTION	QTY.
1	27065-G01						STARTER / GENERATOR (INCLUDES ITEMS 2 - 43).....	1
2	26870-G01						ARMATURE (INCLUDES ITEMS 3 - 5) .....	1
3	26871-G01						REAR BALL BEARING .....	1
4	26872-G01						FRONT BALL BEARING .....	1
5	26873-G01						BEARING HOLDER .....	1
6								
7								
8	26875-G01						FIELD COIL .....	1
9	26876-G01						INSULATING BRUSH ASSEMBLY ('F') (INCLUDES ITEMS 10 - 13).....	2
10	*						NUT .....	2
11	*						LOCK WASHER .....	2
12	*						WASHER.....	2
13	*						INSULATOR .....	1
14	26877-G01						POLE CORE SETSCREW.....	4
15	26878-G01						FRONT COVER.....	1
16	27879-G01						REAR COVER .....	1
17	26880-G01						TERMINAL ASSEMBLY ('A') (INCLUDES ITEMS 18 - 23).....	2
18	*						TERMINAL .....	2
19	*						INSULATOR .....	2
20	*						INSULATOR .....	2
21	*						WASHER.....	4
22	*						LOCK WASHER .....	4
23	*						NUT .....	4
24								
25	26881-G01						BRUSH HOLDER ASSEMBLY (INCLUDES ITEMS 26 - 28) .....	1
26	26658-G01						BRUSH.....	4
27	26882-G01						BRUSH SPRING .....	4
28	26883-G01						BRUSH CONNECTOR.....	2
29								
30	26884-G01						KEY.....	1

# STARTER / GENERATOR

THE USE OF NON U.L. PARTS WILL VOID ANY U.L. LISTING.

When ordering parts, please specify the model and serial number of the product.

\* Indicates a component that is not available as an individual part.

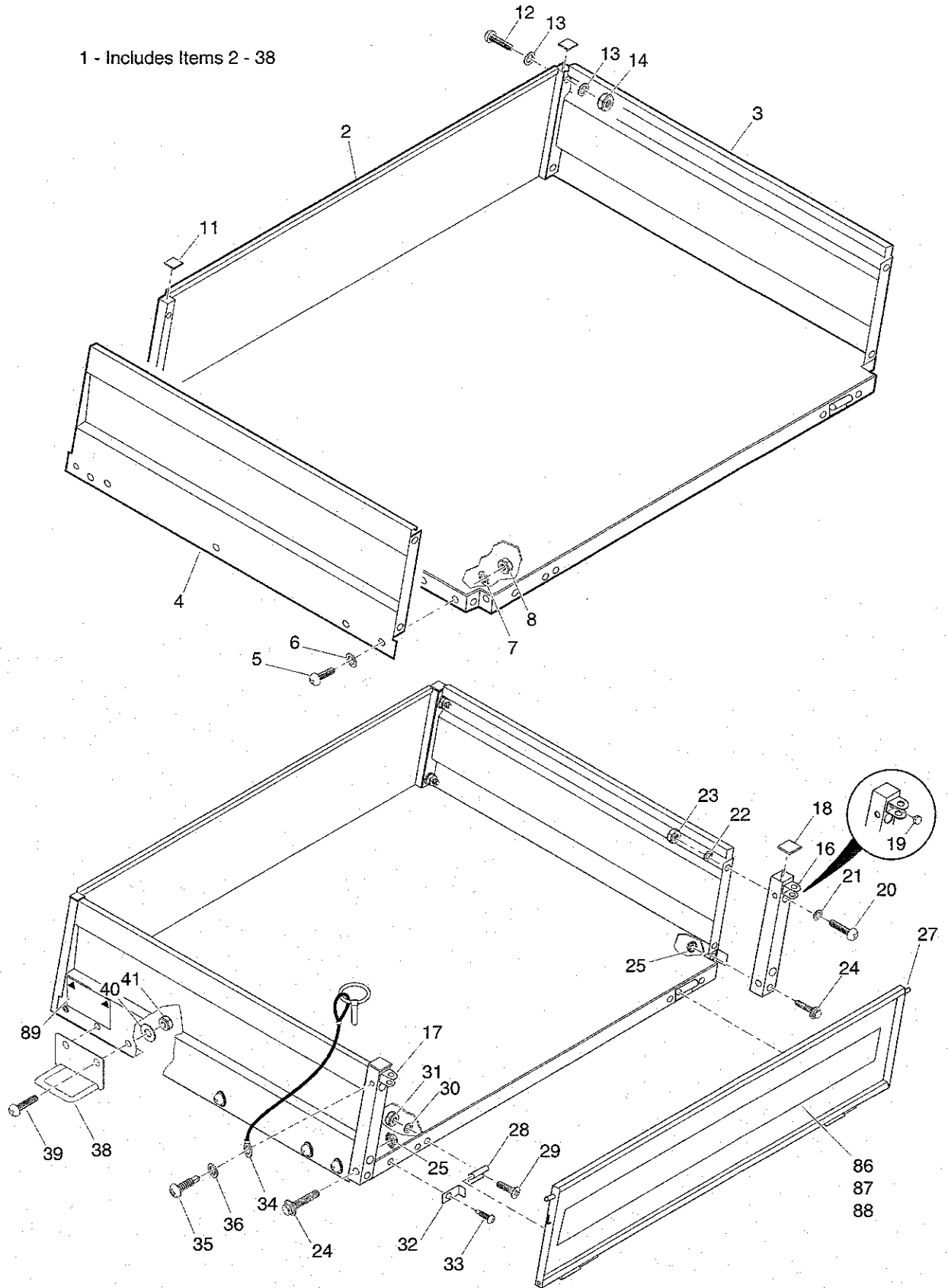
G\*\* Indicates consult Customer Service Department for additional information.

ITEM	PART NO.	1	2	3	4	5	DESCRIPTION	QTY.
31	26885-G01						PULLEY .....	1
32	26886-G01						BRUSH AND PULLEY HARDWARE KIT (INCLUDES ITEMS 33 - 37).....	1
33	*						NUT .....	1
34	*						LOCK WASHER.....	1
35	*						SCREW .....	3
36	*						SCREW .....	4
37	*						SCREW .....	2
38	26887-G01						BRUSH 1 COVER.....	3
39	26888-G01						BRUSH 2 COVER.....	2
40	26889-G01						HOUSING HARDWARE KIT (INCLUDES ITEMS 41 - 43).....	2
41	*						BOLT .....	2
42	*						LOCK WASHER.....	2
43	*						WASHER.....	2
44								
45								
46								
47	00938-G4						BOLT, 1/2 - 13 X 8" LG .....	1
48	00560-G3						WASHER, 1/2" .....	2
49	00566-G3						LOCK WASHER, 1/2".....	1
50	00533-G1						NUT, 1/2 - 13 .....	1
51								
52	28617-G01						STARTER / GENERATOR ADJUSTER.....	1
53	00544-G5						JAM NUT, 3/8 - 16.....	1
54	00532-G5						NUT, 3/8 - 16 .....	1
55	00560-G1						WASHER, 3/8" .....	1
56	12064-G4						PUSH NUT, 5/16" .....	1
57								
58	26414-G01						STARTER / GENERATOR BELT .....	1

# STARTER / GENERATOR

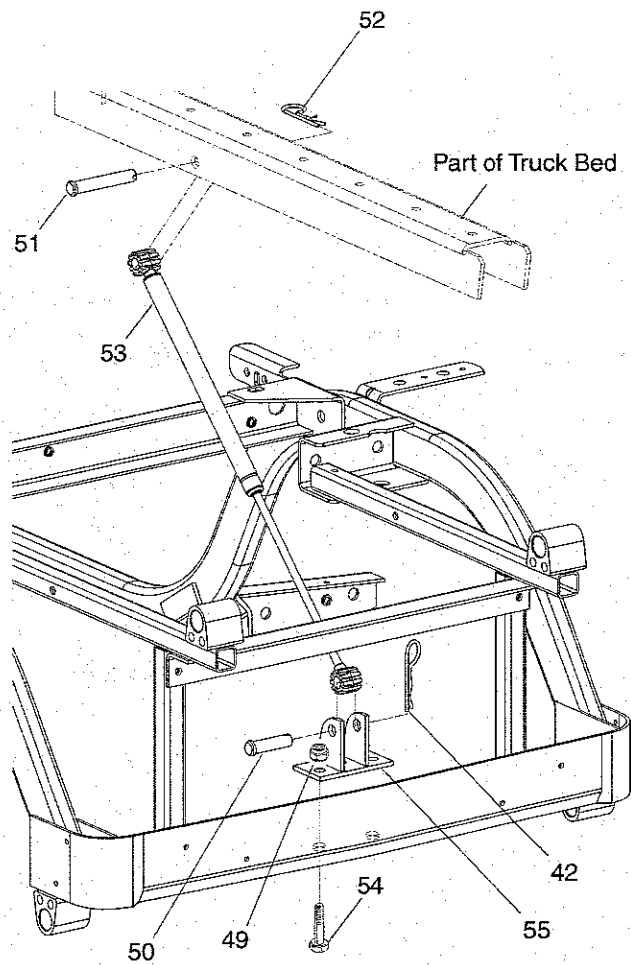
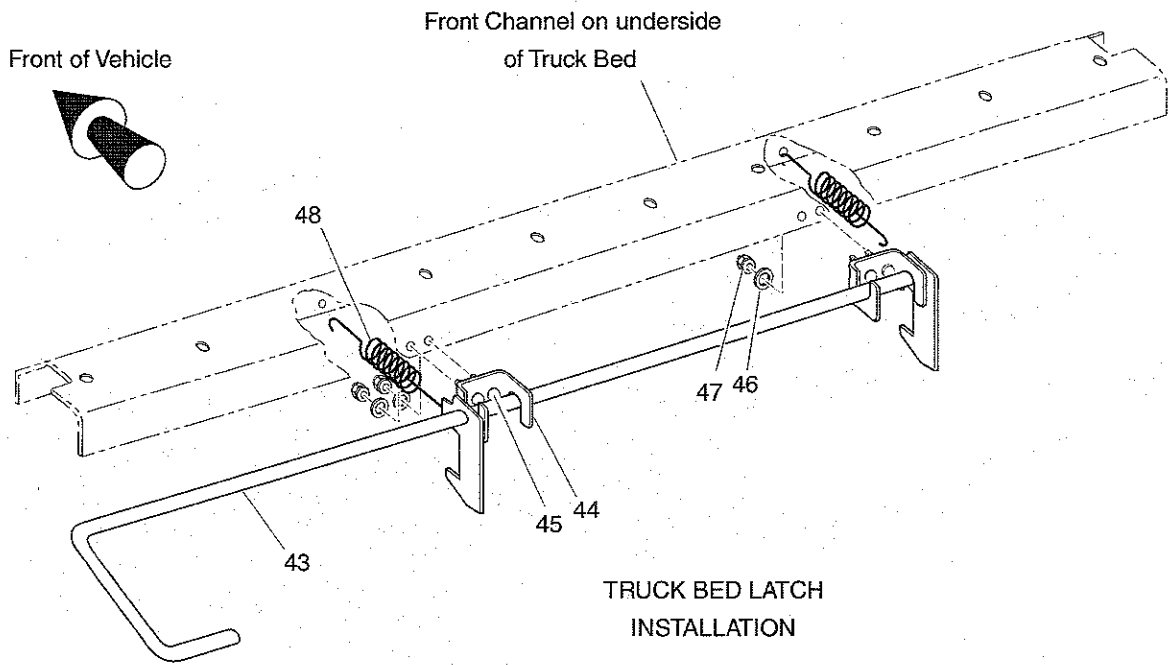
# TRUCK BED, MANUAL LIFT

1 - Includes Items 2 - 38



Ref Tbm 23-1

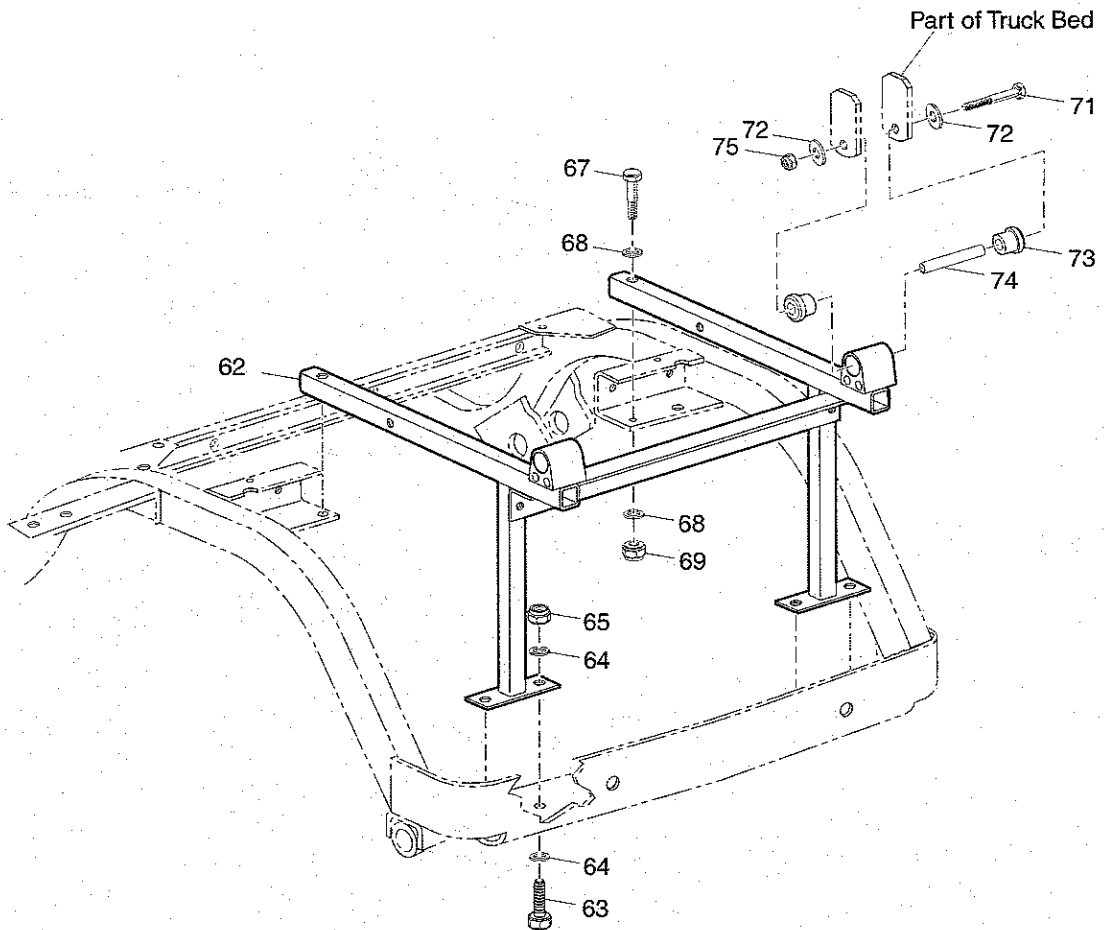
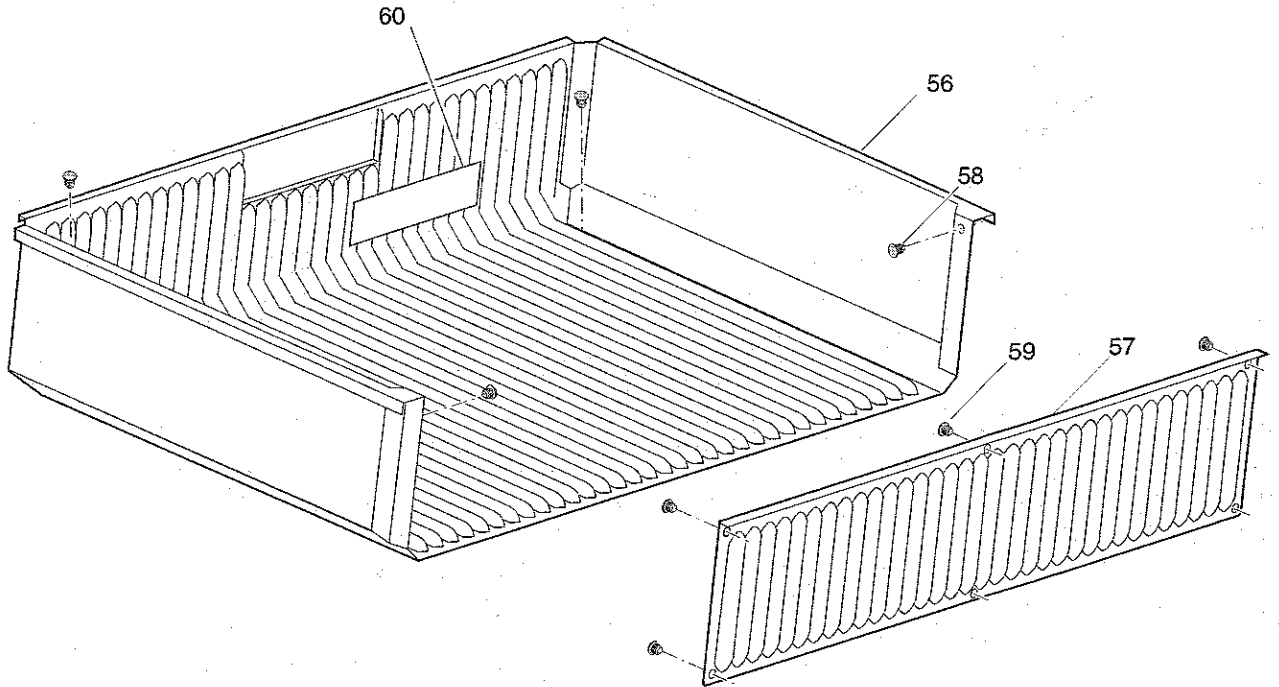
# TRUCK BED, MANUAL LIFT



Ref Tbm 23-2

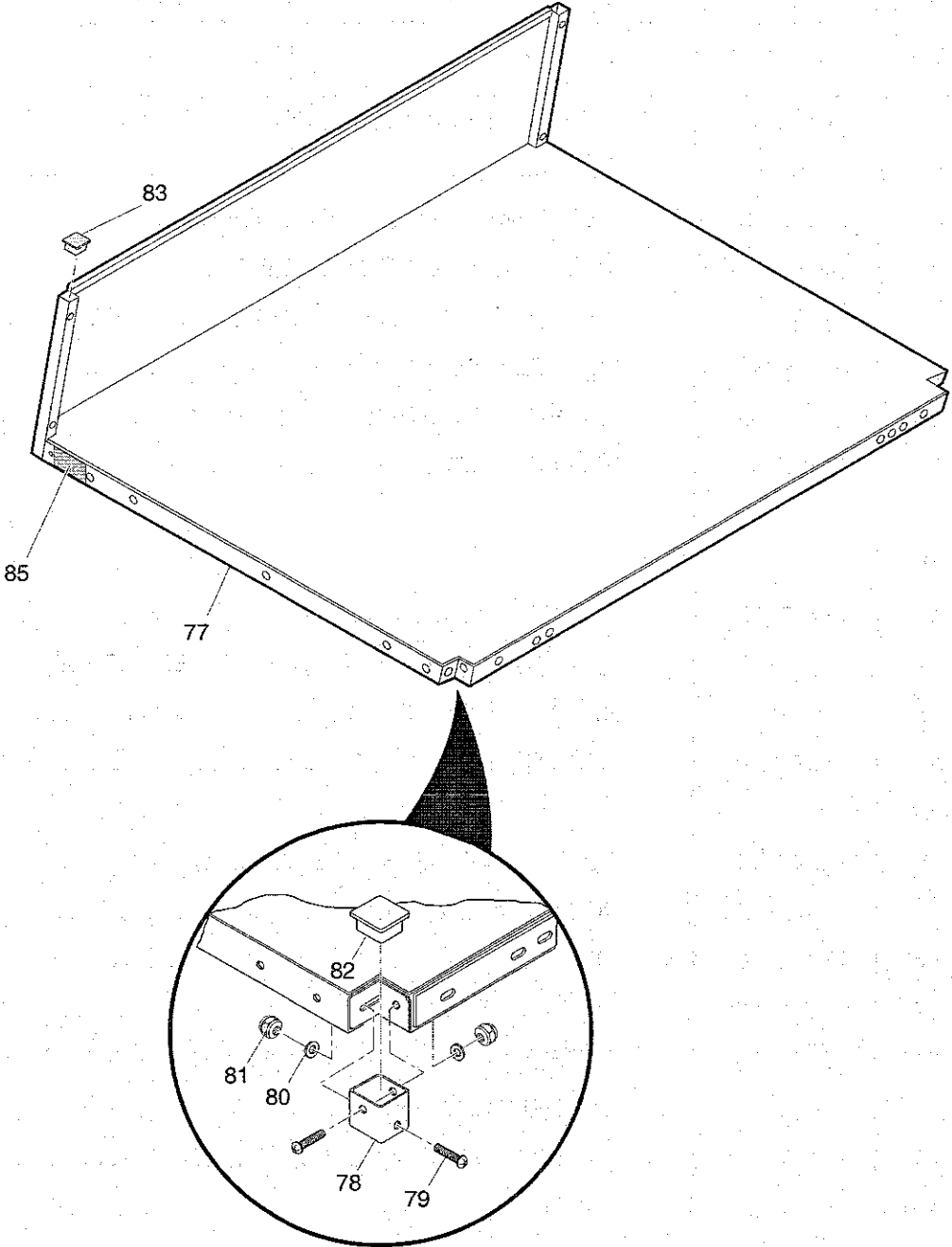


# TRUCK BED, MANUAL LIFT



Ref Tbm 3-3

# TRUCK BED, MANUAL LIFT



Ref Tbm 3-4

# TRUCK BED, MANUAL LIFT

THE USE OF NON U.L. PARTS WILL VOID ANY U.L. LISTING.

When ordering parts, please specify the model and serial number of the product.

\* Indicates a component that is not available as an individual part.

G\*\* Indicates consult Customer Service Department for additional information.

ITEM	PART NO.	1	2	3	4	5	DESCRIPTION	QTY.
1	71260-G01						TRUCK BED ASSEMBLY (35") (INCLUDES ITEMS 2 - 38).....	1
2	71231-G01						BED (35").....	1
3	71248-G01						SIDE PANEL (35") (PASSENGER SIDE).....	1
4	71248-G02						SIDE PANEL (35") (DRIVER SIDE).....	1
5	16705-G3						SCREW, 1/4 - 20 X 3/4" LG (STAINLESS STEEL).....	10
6	00915-G1						BONDED WASHER, 1/4".....	10
7	01110-G01						WASHER, 1/4" (STAINLESS STEEL).....	10
8	14390-G4						LOCK NUT, 1/4-20.....	10
9								
10								
11	71717-G01						END CAP 1".....	2
12	16705-G6						SCREW, 1/4 - 20 X 1 3/4" LG (STAINLESS STEEL).....	4
13	00915-G1						BONDED WASHER, 1/4".....	8
14	14390-G4						LOCK NUT, 1/4-20.....	4
15								
16	71322-G03						POST (PASSENGER SIDE).....	1
17	71322-G04						POST (DRIVER SIDE).....	1
18	71718-G01						END CAP 1 1/2".....	2
19	71838-G01						RUBBER BUMPER.....	2
20	16705-G6						SCREW, 1/4 - 20 X 1 3/4" LG (STAINLESS STEEL).....	4
21	00915-G1						BONDED WASHER, 1/4".....	4
22	01110-G01						WASHER, 1/4" (STAINLESS STEEL).....	4
23	14390-G4						LOCK NUT, 1/4-20.....	4
24	01074-G01						LOCK SCREW, 3/8-16 X 2" LG.....	4
25	11027-G5						LOCK NUT, 3/8-16.....	4
26								
27	71245-G03						TAILGATE.....	1
28	27666-G01						HINGE.....	2
29	01002-G08						BOLT, 1/4-20 X 1" LG.....	4
30	01110-G01						WASHER, 1/4" (STAINLESS STEEL).....	4

## TRUCK BED, MANUAL LIFT

THE USE OF NON U.L. PARTS WILL VOID ANY U.L. LISTING.

When ordering parts, please specify the model and serial number of the product.

\* Indicates a component that is not available as an individual part.

G\*\* Indicates consult Customer Service Department for additional information.

ITEM	PART NO.	1	2	3	4	5	DESCRIPTION	QTY.
31	14390-G4						LOCK NUT, 1/4 - 20 .....	4
32	71748-G01						TAILGATE KEEPER .....	1
33	16705-G3						SCREW, 1/4 - 20 X 3/4" LG (STAINLESS STEEL).....	1
34	71083-G01						TAILGATE CABLE .....	2
35	00106-G6						SELF-TAPPING SCREW, #12 - 24 X 3/4" LG.....	2
36	00915-G1						BONDED WASHER, 1/4".....	2
37								
38	71794-G01						LIFT HANDLE .....	1
39	00976-G08						SCREW, 5/16 - 18 X 1" LG (STAINLESS STEEL) .....	2
40	00559-G8						WASHER, 5/16" .....	2
41	01109-G01						LOCK NUT, 5/16 - 18 (STAINLESS STEEL) .....	2
42	21683-G1						COTTER PIN.....	1
43	71264-G01						BED LATCH .....	1
44	71827-G01						LATCH BRACKET .....	2
45	01014-G03						CARRIAGE BOLT, 1/4 - 20 X 3/4" LG .....	4
46	01110-G01						WASHER, 1/4" (STAINLESS STEEL) .....	4
47	14390-G4						LOCK NUT, 1/4 - 20 .....	4
48	71965-G01						EXTENSION SPRING.....	2
49	00734-G1						LOCK NUT, 7/16 - 14 .....	2
50	14443-G11						CLEVIS PIN, 1/2 - 1 7/8" .....	1
51	14443-G10						CLEVIS PIN, 1/2 - 3".....	1
52	21683-G1						COTTER PIN.....	1
53	71537-G01						GAS SPRING .....	1
54	00462-G7						SCREW, 7/16 - 14 X 3/4" LG.....	1
55	71283-G02						BRACKET .....	1
56	74231-G01						BED LINER .....	1
57	74232-G01						TAILGATE LINER.....	1
58	18436-G1						RIVET, 1/4" X 3/4" LG .....	4
59	14601-G10						RIVET, 3/16" X 7/16" LG (ALUMINUM).....	6
60	71517-G01						BED CAPACITY LABEL (500 LB).....	1

# TRUCK BED, MANUAL LIFT

THE USE OF NON U.L. PARTS WILL VOID ANY U.L. LISTING.

When ordering parts, please specify the model and serial number of the product.

\* Indicates a component that is not available as an individual part.

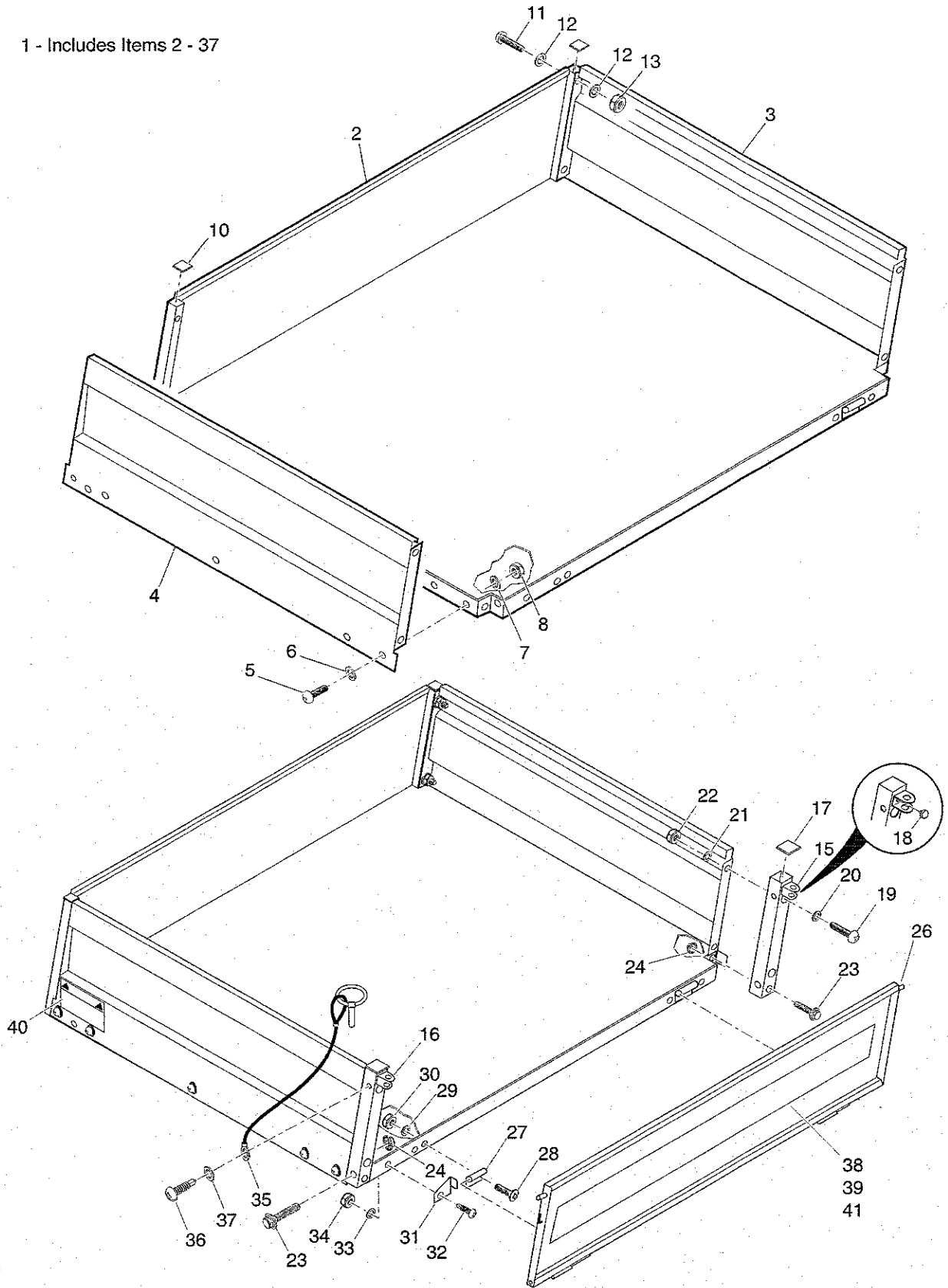
G\*\* Indicates consult Customer Service Department for additional information.

ITEM	PART NO.	1 2 3 4 5	DESCRIPTION	QTY.
61				
62	71258-G02		BED FRAME .....	1
63	00439-G2		SCREW, 5/16 - 18 X 1 1/4" LG.....	4
64	00642-G8		WASHER, 5/16" .....	8
65	01109-G01		LOCK NUT, 5/16 - 18 (STAINLESS STEEL).....	4
66				
67	00415-G6		BOLT, 1/4 - 20 X 1 3/4" LG .....	2
68	00642-G7		WASHER, 1/4" .....	4
69	00654-G2		LOCK NUT, 1/4 - 20 (STAINLESS STEEL).....	2
70				
71	00665-G9		BOLT, 3/8 - 16 X 3 1/2" LG (STAINLESS STEEL).....	2
72	00643-G1		WASHER, 3/8" .....	4
73	70291-G01		RUBBER BUSHING .....	4
74	70289-G02		SPACER .....	2
75	11098-G5		LOCK NUT, 3/8 - 16 .....	2
76				
77	71231-G01		BED, 35".....	1
78	71772-G01		CORNER TUBE .....	2
79	00762-G9		SCREW, 5/16 - 18 X 2 1/2" LG (STAINLESS STEEL) .....	4
80	00559-G8		WASHER, 5/16" .....	4
81	00550-G3		LOCK NUT, 5/16 - 18 .....	4
82	71718-G01		END CAP, 1 1/2".....	2
83	71717-G01		END CAP, 1".....	2
84				
85	71777-G01		DECAL (WARNING) .....	1
86	74823-G01		TAILGATE DECAL (JACOBSEN).....	1
87	74811-G01		TAILGATE DECAL (E-Z-GO).....	1
88	28960-G01		TAILGATE DECAL (CUSHMAN).....	1
89	71771-G01		LABEL (TILT WARNING) .....	1

# TRUCK BED, MANUAL LIFT

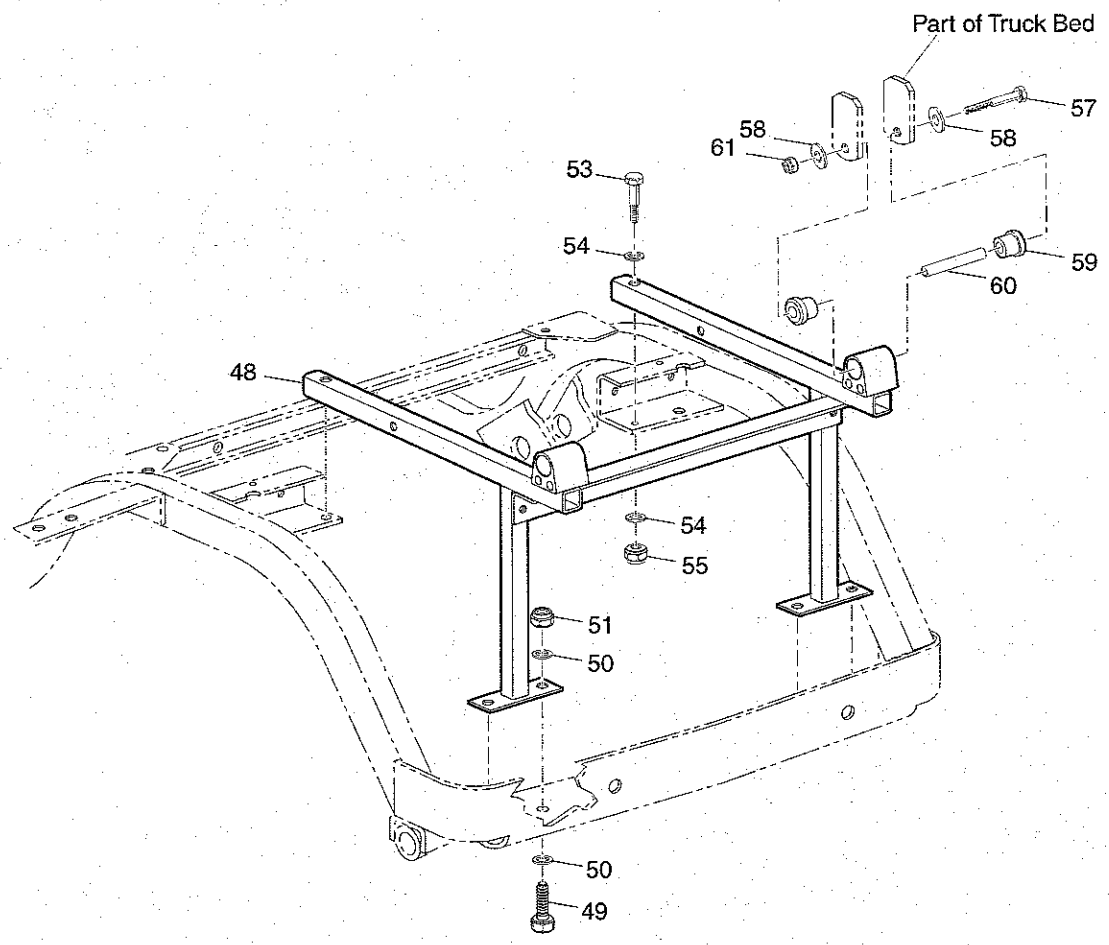
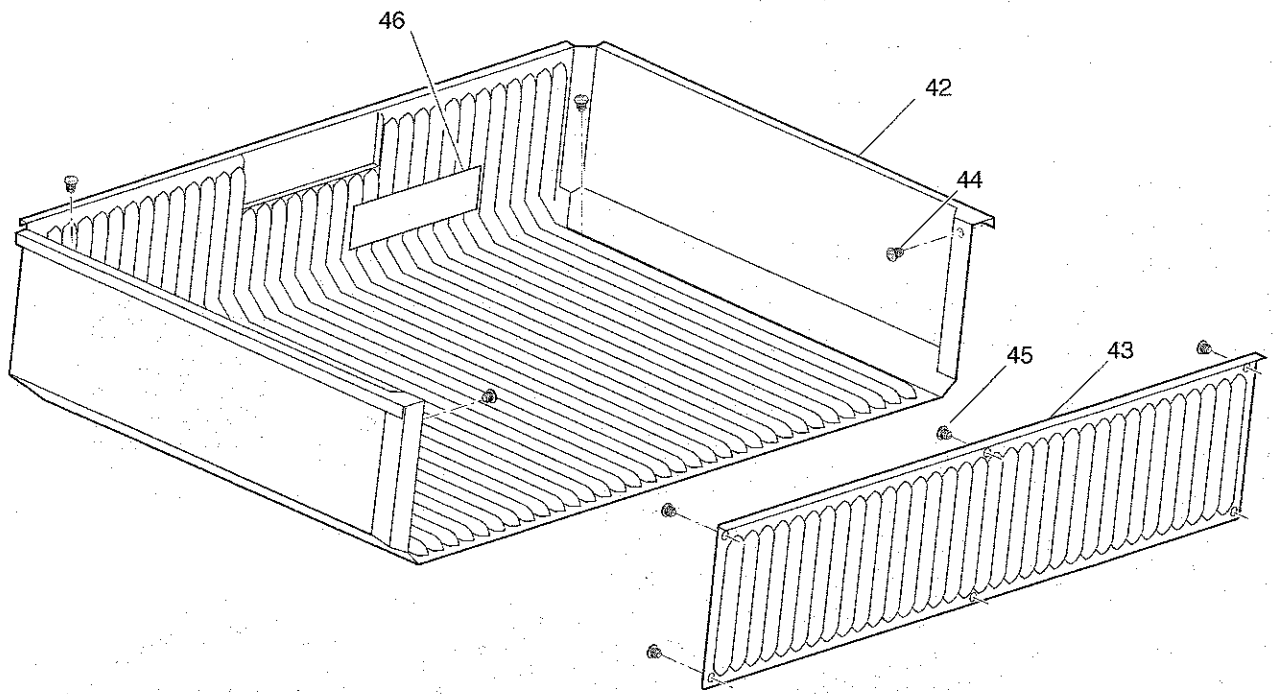
# TRUCK BED, ELECTRIC LIFT

1 - Includes Items 2 - 37



Ref Tbe 23-1

# TRUCK BED, ELECTRIC LIFT

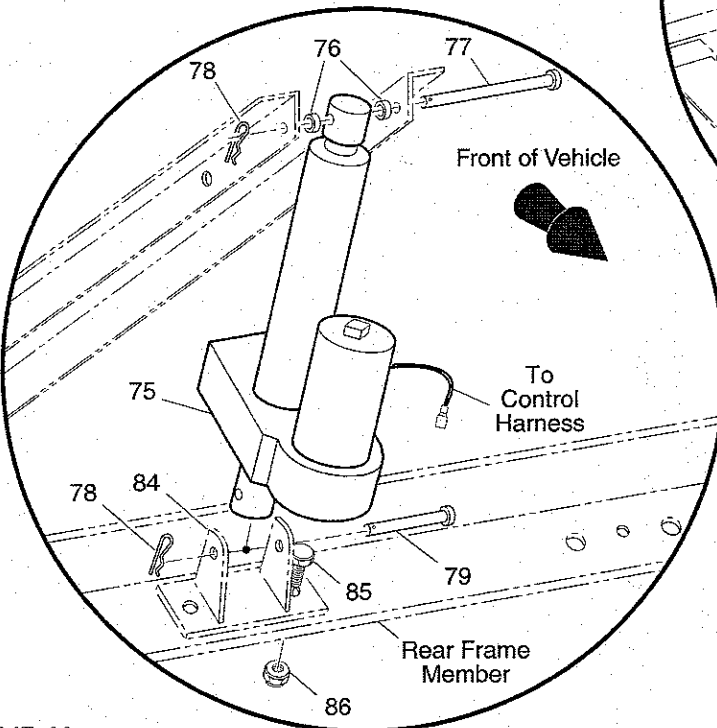
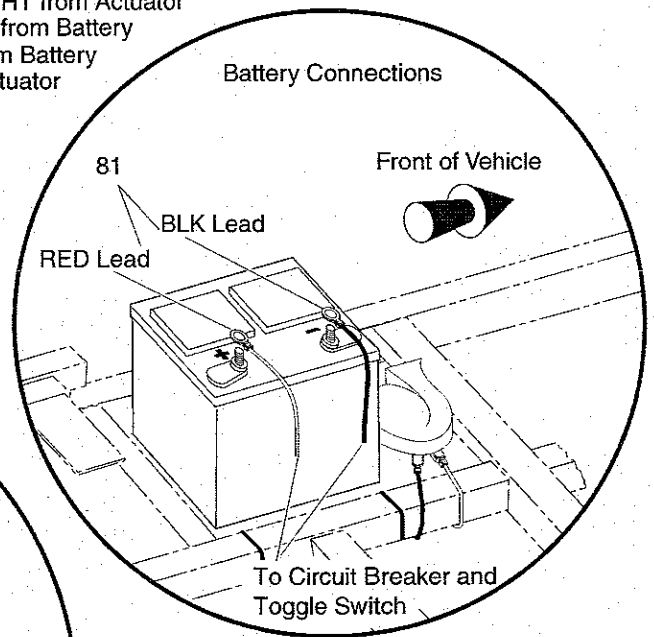
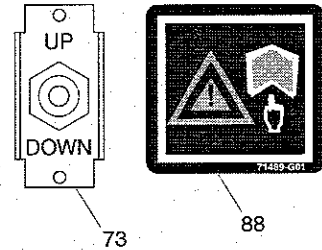
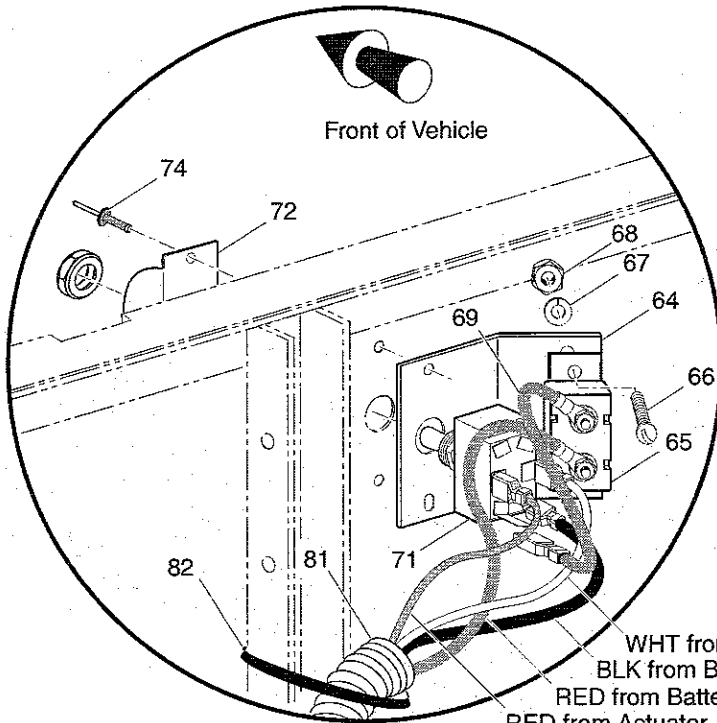


Part of Truck Bed

Ref Tbe 3-2



# TRUCK BED, ELECTRIC LIFT



Ref Tbe 3-3

## TRUCK BED, ELECTRIC LIFT

THE USE OF NON U.L. PARTS WILL VOID ANY U.L. LISTING.

When ordering parts, please specify the model and serial number of the product.

\* Indicates a component that is not available as an individual part.

G\*\* Indicates consult Customer Service Department for additional information.

ITEM	PART NO.	1	2	3	4	5	DESCRIPTION	QTY.
1	71260-G01						TRUCK BED ASSEMBLY (35") (INCLUDES ITEMS 2 - 37) .....	1
2	71231-G01						BED (35") .....	1
3	71248-G01						SIDE PANEL (35") (PASSENGER SIDE) .....	1
4	71248-G02						SIDE PANEL (35") (DRIVER SIDE) .....	1
5	16705-G3						SCREW, 1/4 - 20 X 3/4" LG (STAINLESS STEEL) .....	10
6	00915-G1						BONDED WASHER, 1/4" .....	10
7	01110-G01						WASHER, 1/4" (STAINLESS STEEL) .....	10
8	14390-G4						LOCK NUT, 1/4 - 20 .....	10
9								
10	71717-G01						END CAP, 1" .....	2
11	16705-G6						SCREW, 1/4 - 20 X 1 3/4" LG (STAINLESS STEEL) .....	4
12	00915-G1						BONDED WASHER, 1/4" .....	8
13	14390-G4						LOCK NUT, 1/4 - 20 .....	4
14								
15	71322-G03						POST (PASSENGER SIDE) .....	1
16	71322-G04						POST (DRIVER SIDE) .....	1
17	71718-G01						END CAP, 1 1/2" .....	2
18	71838-G01						RUBBER BUMPER .....	2
19	16705-G6						SCREW, 1/4 - 20 X 3/4" LG (STAINLESS STEEL) .....	4
20	00915-G1						BONDED WASHER, 1/4" .....	4
21	01110-G01						WASHER, 1/4" (STAINLESS STEEL) .....	4
22	14390-G4						LOCK NUT, 1/4 - 20 .....	4
23	01074-G01						LOCK SCREW, 3/8 - 16 X 2" LG .....	4
24	11027-G5						LOCK NUT, 3/8 - 16 .....	4
25								
26	71245-G03						TAILGATE .....	1
27	27666-G01						HINGE .....	2
28	01002-G08						BOLT, 1/4 - 20 X 1" LG .....	4
29	01110-G01						WASHER, 1/4" (STAINLESS STEEL) .....	4
30	14390-G4						LOCK NUT, 1/4 - 20 .....	4

# TRUCK BED, ELECTRIC LIFT

THE USE OF NON U.L. PARTS WILL VOID ANY U.L. LISTING.

When ordering parts, please specify the model and serial number of the product.

\* Indicates a component that is not available as an individual part.

G\*\* Indicates consult Customer Service Department for additional information.

ITEM	PART NO.	1	2	3	4	5	DESCRIPTION	QTY.
31	71748-G01						TAILGATE KEEPER .....	1
32	16705-G3						SCREW, 1/4 - 20 X 3/4" LG (STAINLESS STEEL).....	1
33	01110-G01						WASHER, 1/4" (STAINLESS STEEL).....	1
34	14390-G4						LOCK NUT, 1/4 - 20.....	1
35	71083-G01						TAILGATE CABLE .....	2
36	00106-G6						SELF-TAPPING SCREW, #12 - 24 X 3/4" LG.....	2
37	00915-G1						BONDED WASHER, 1/4".....	2
38	74811-G01						TAILGATE LABEL (E-Z-GO) .....	1
39	28960-G01						TAILGATE LABEL (CUSHMAN).....	1
40	71771-G01						LABEL (TILT WARNING) .....	1
41	74823-G01						TAILGATE LABEL (JACOBSEN).....	1
42	74231-G01						BED LINER .....	1
43	74232-G01						TAILGATE LINER.....	1
44	18436-G1						RIVET, 1/4" X 1/2" LG .....	4
45	14601-G10						RIVET, 3/16" X 7/16" LG (ALUMINUM).....	6
46	71517-G01						BED CAPACITY LABEL (500 LB) .....	1
47								
48	71258-G01						BED FRAME .....	1
49	00438-G8						SCREW, 5/16 - 18 X 1" LG.....	4
50	00642-G8						WASHER, 5/16" .....	8
51	01109-G01						LOCK NUT, 5/16 - 18 (STAINLESS STEEL).....	4
52								
53	00415-G6						SCREW, 1/4 - 20 X 1 3/4" LG.....	2
54	00642-G7						WASHER, 5/16" .....	4
55	00654-G2						LOCK NUT, 1/4 - 20 (STAINLESS STEEL) .....	2
56								
57	00665-G9						BOLT, 3/8 - 16 X 3 1/2" LG (STAINLESS STEEL).....	2
58	00643-G1						WASHER, 3/8" .....	4
59	70291-G01						RUBBER BUSHING.....	4
60	70289-G02						SPACER.....	2

## TRUCK BED, ELECTRIC LIFT

THE USE OF NON U.L. PARTS WILL VOID ANY U.L. LISTING.

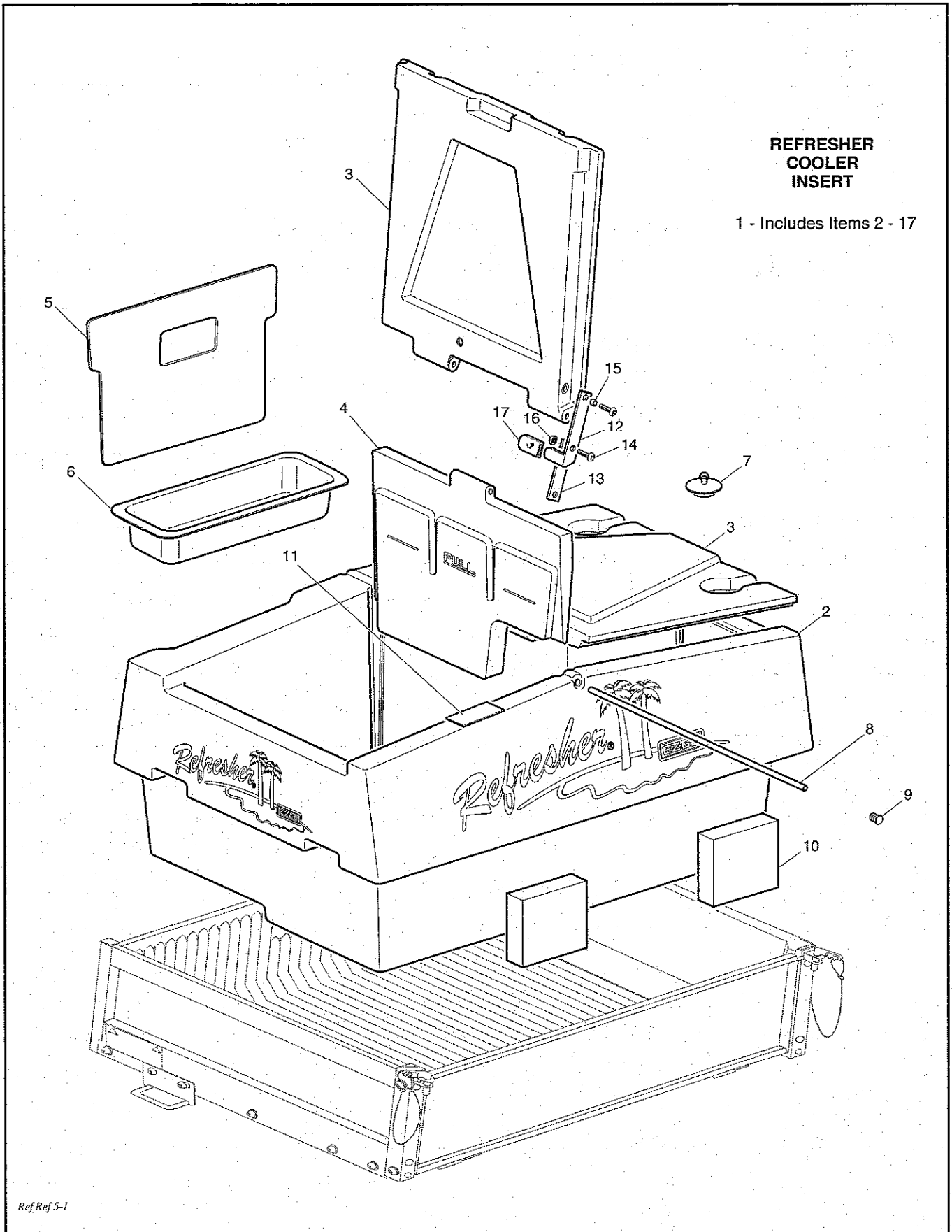
When ordering parts, please specify the model and serial number of the product.

\* Indicates a component that is not available as an individual part.

G\*\* Indicates consult Customer Service Department for additional information.

ITEM	PART NO.	1	2	3	4	5	DESCRIPTION	QTY.
61	11098-G5						LOCK NUT, 3/8 - 16 .....	2
62								
63	74052-G03						ELECTRIC DUMP KIT (INCLUDES ITEMS 64 - 86).....	1
64	74165-G01						CIRCUIT BREAKER MOUNTING BRACKET.....	1
65	21320-G4						CIRCUIT BREAKER, 30 AMP, 12V .....	1
66	00150-G4						SCREW, #10 - 24 X 1/2" LG. ....	2
67	00565-G5						LOCK WASHER, #10 .....	2
68	00526-G3						NUT, #10 - 24.....	2
69	25976-G14						14 GA WIRE (RED 5") .....	1
70								
71	27680-G01						TOGGLE SWITCH.....	1
72	27447-G01						TOGGLE GUARD .....	1
73	27446-G01						LABEL.....	1
74	10570-G9						RIVET, 1/8" X 11/32" LG (ALUMINUM).....	2
75	27612-G03						ELECTRIC ACTUATOR.....	1
76	27613-G01						SPACER .....	2
77	14443-G10						CLEVIS PIN, 1/2" X 2 7/8" LG.....	1
78	21683-G1						COTTER PIN, 15/32" X 2 13/16" LG .....	2
79	14443-G11						CLEVIS PIN, 1/2" X 1 3/4" LG .....	1
80								
81	74163-G01						WIRE HARNESS (CONTROL).....	1
82	17618-G1						WIRE TIE .....	8
83								
84	71283-G01						ELECTRIC LIFT BRACKET.....	1
85	00462-G7						BOLT, 7/16 - 14 X 7/8" LG.....	2
86	00734-G1						LOCK NUT, 7/16 - 14.....	2
87								
88	71489-G01						WARNING LABEL .....	1

# TRUCK BED, REFRESHER COOLER

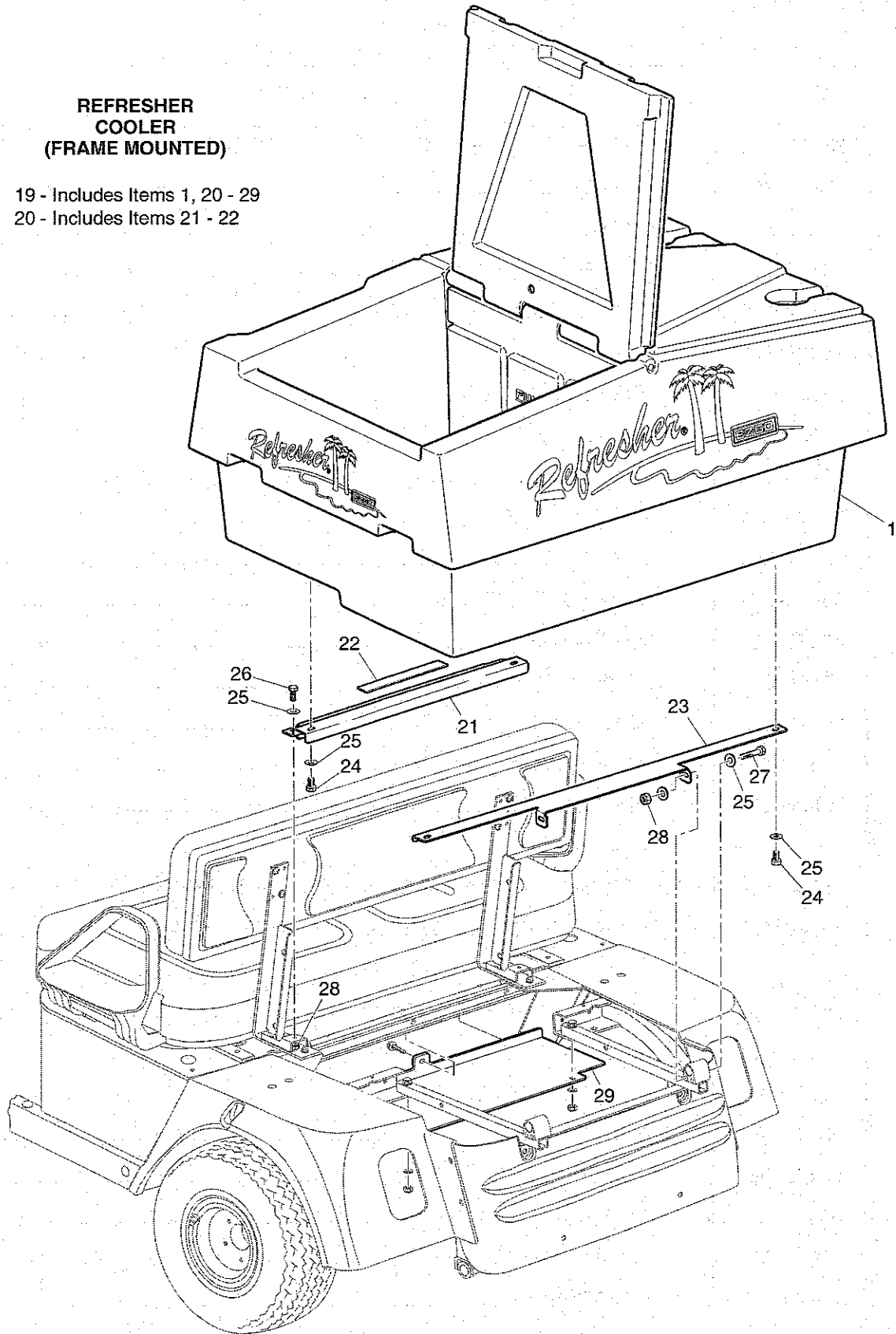


Ref Ref 5-1

# TRUCK BED, REFRESHER COOLER

## REFRESHER COOLER (FRAME MOUNTED)

- 19 - Includes Items 1, 20 - 29
- 20 - Includes Items 21 - 22



Ref Ref 5-2

## TRUCK BED, REFRESHER COOLER

THE USE OF NON U.L. PARTS WILL VOID ANY U.L. LISTING.

When ordering parts, please specify the model and serial number of the product.

\* Indicates a component that is not available as an individual part.

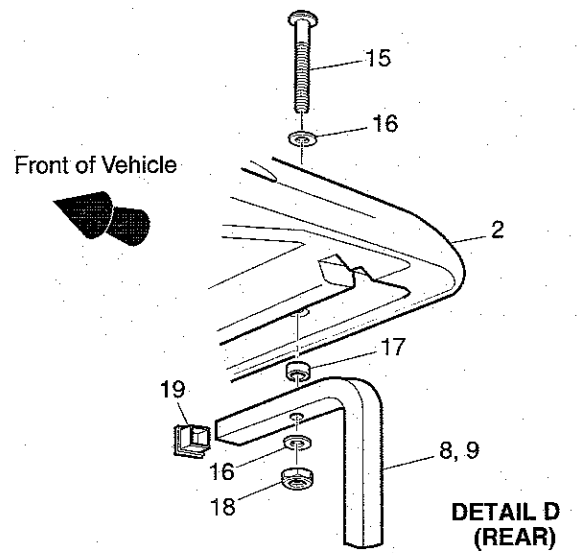
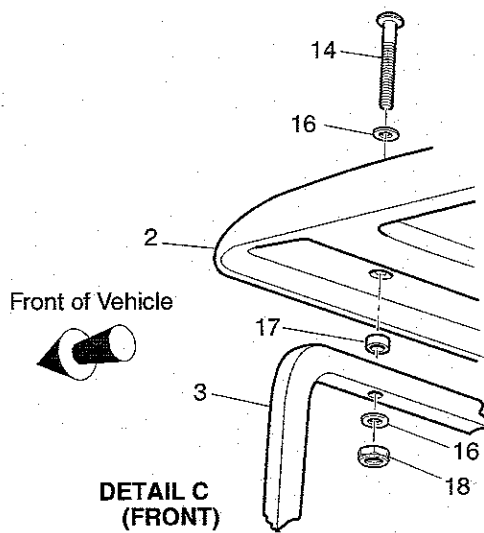
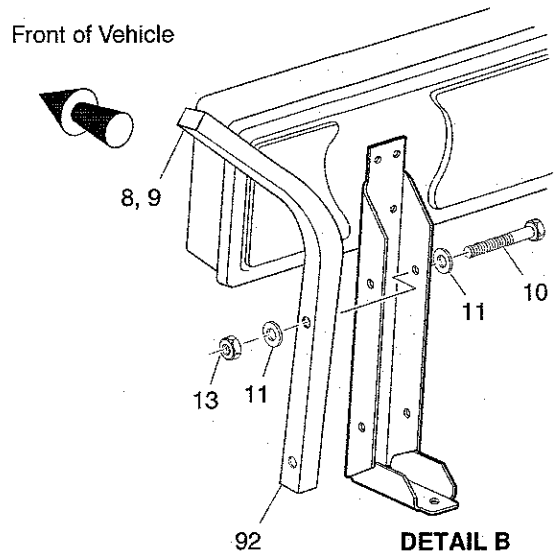
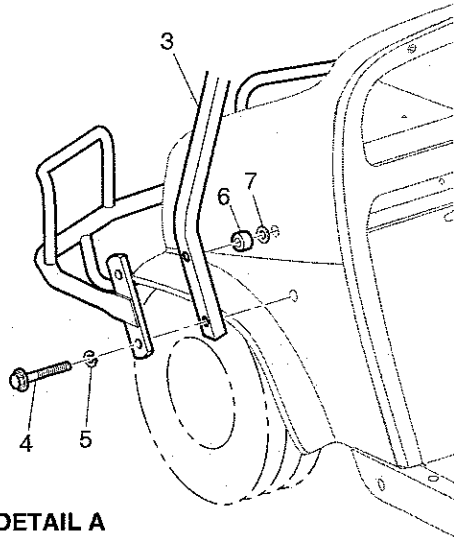
G\*\* Indicates consult Customer Service Department for additional information.

ITEM	PART NO.	1	2	3	4	5	DESCRIPTION	QTY.
1	75663-G01						REFRESHER COOLER INSERT KIT (INCLUDES ITEMS 2 - 17) .....	1
2	75664-G01						REFRESHER COOLER.....	1
3	75665-G01						DOOR.....	2
4	75666-G01						CENTER DIVIDER.....	1
5	75667-G01						SIDE DIVIDER.....	2
6	75668-G01						TRAY.....	2
7	75669-G01						RUBBER STOPPER.....	1
8	75670-G01						HINGE ROD.....	1
9	75744-G01						HOLE PLUG .....	2
10	75739-G01						FOAM SPACER.....	2
11	35991-G01						LABEL (WARNING) .....	2
12	35974-G01						UPPER SUPPORT ARM .....	2
13	35975-G01						LOWER SUPPORT ARM .....	2
14	16705-G2						SCREW, 1/4 - 20 X 5/8" .....	6
15	35248-G02						SPACER, 1/8" .....	8
16	14390-G4						LOCK NUT, 1/4 - 20 .....	2
17	35976-G01						VINYL GRIP.....	2
18								
19	75738-G01						REFRESHER COOLER (FRAME MOUNTED) (INCLUDES ITEMS 1, 20 - 29)	1
20	75752-G01						SUPPORT / DECAL ASSEMBLY (INCLUDES ITEMS 21 - 22) .....	1
21	*						REFRESHER FRONT SUPPORT.....	1
22	75751-G01						REFRESHER CAUTION DECAL .....	1
23	75672-G01						REFRESHER REAR SUPPORT .....	1
24	00270-G5						BOLT, 5/16 - 18 x 5/8" LG .....	4
25	00559-G8						WASHER, 5/16" .....	10
26	00438-G6						BOLT, 5/16 - 18 x 3/4" LG .....	2
27	00440-G4						BOLT, 5/16 - 18 x 2 1/2" LG .....	2
28	11098-G6						LOCK NUT, 5/16 - 18 .....	4
29	75749-G01						HEAT SHIELD.....	1

# TRUCK BED, REFRESHER COOLER

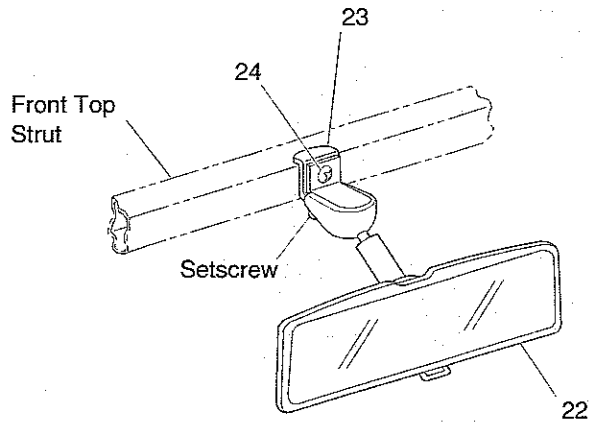


# WEATHER PROTECTION



Ref Wea 20-1

# WEATHER PROTECTION

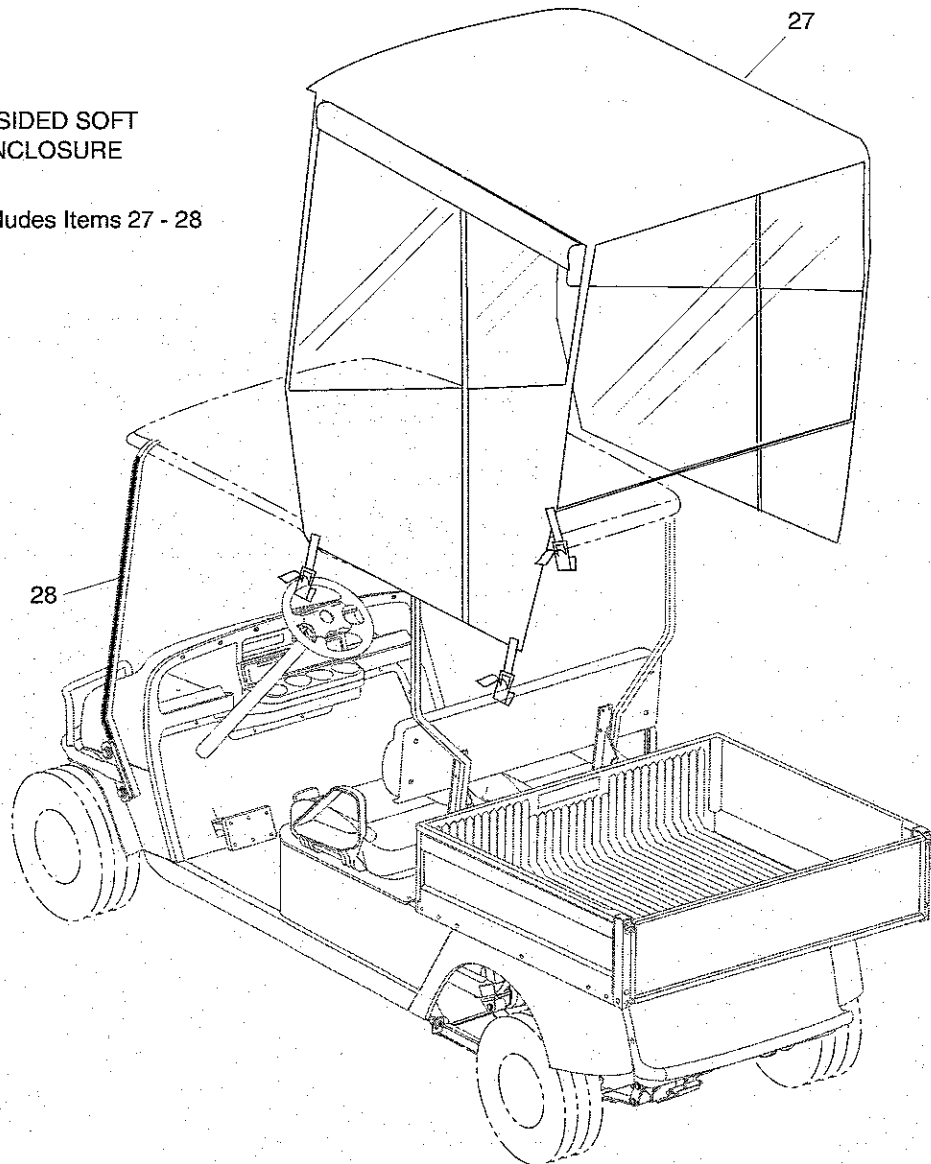


## REAR VIEW MIRROR

21 - Includes Items 22 - 24

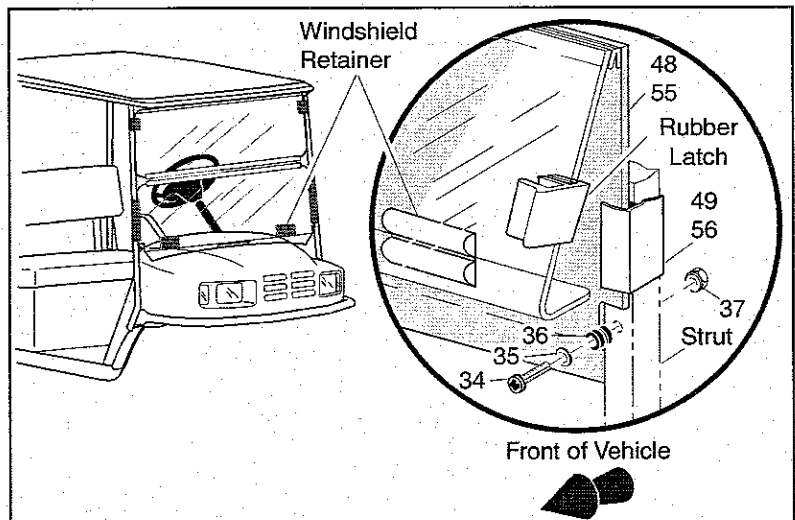
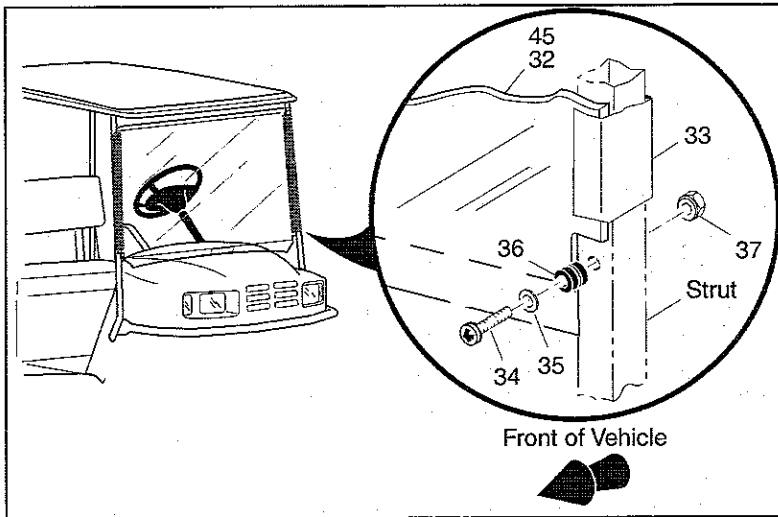
## 3-SIDED SOFT ENCLOSURE

26 - Includes Items 27 - 28



Ref Wea 20-2

# WEATHER PROTECTION



Ref Wea 20-3

## WEATHER PROTECTION

Where applicable, THE USE OF NON UL PARTS WILL VOID ANY UL LISTING.

When ordering parts, please specify the model and serial number of the product.

\* Indicates a component that is not available as an individual part.

G\*\* Indicates consult Customer Service Department for additional information.

ITEM	PART NO.	1	2	3	4	5	DESCRIPTION	QTY.	
1	75040-G**	SUN TOP KIT (INCLUDES ITEMS 2 - 19) .....							1
2	27069-G01	SUN TOP .....							1
3	75045-G05	FRONT STRUT.....							1
4	01035-G01	BOLT, 5/16 - 18 X 2 1/4" LG.....							4
5	00905-G8	LOCK WASHER, 5/16" .....							4
6	75048-G01	SPACER, 1/2" .....							2
7	00570-G2	WASHER, 5/16".....							6
8	75838-G04	REAR STRUT (PASSENGER SIDE) .....							1
9	75838-G03	REAR STRUT (DRIVER SIDE).....							1
10	00685-G7	BOLT, 5/16 - 18 X 1 3/4" LG.....							4
11	00660-G8	WASHER, 5/16" .....							8
12									
13	11098-G6	LOCK NUT, 5/16 - 18.....							4
14	00753-G5	SCREW, 1/4 - 20 X 2" LG (STAINLESS STEEL).....							2
15	00753-G6	SCREW, 1/4 - 20 X 2 1/4" LG (STAINLESS STEEL).....							2
16	01110-G01	WASHER, 1/4" (STAINLESS STEEL).....							8
17	75051-G01	SPACER .....							4
18	00654-G2	LOCK NUT, 1/4 - 20.....							4
19	19853-G1	END CAP, 1" .....							2
20									
21	19528-G2	REAR VIEW MIRROR KIT (REQUIRES SUN TOP) (INCLUDES ITEMS 22 - 24).....							1
22	19496-G1	REAR VIEW MIRROR .....							1
23	19502-G2	SUPPORT BRACKET.....							1
24	19527-G1	SCREW, #8 - 32 X 5/8" LG (STAINLESS STEEL).....							1
25									
26	75367-G**	3-SIDED SOFT ENCLOSURE (REQUIRES SUN TOP) (INCL ITEMS 27 - 28) .....							1
27	*	ENCLOSURE.....							1
28	*	VELCRO .....							AR
29									

# WEATHER PROTECTION

Replacement parts for the windshield may be obtained from Eagle Parts, Inc. 1411 Marvin Griffin Rd. Augusta, GA 30906. Telephone (706) 790-6687.

\* Indicates a component that is not available as an individual part.

G\*\* Indicates consult Customer Service Department for additional information.

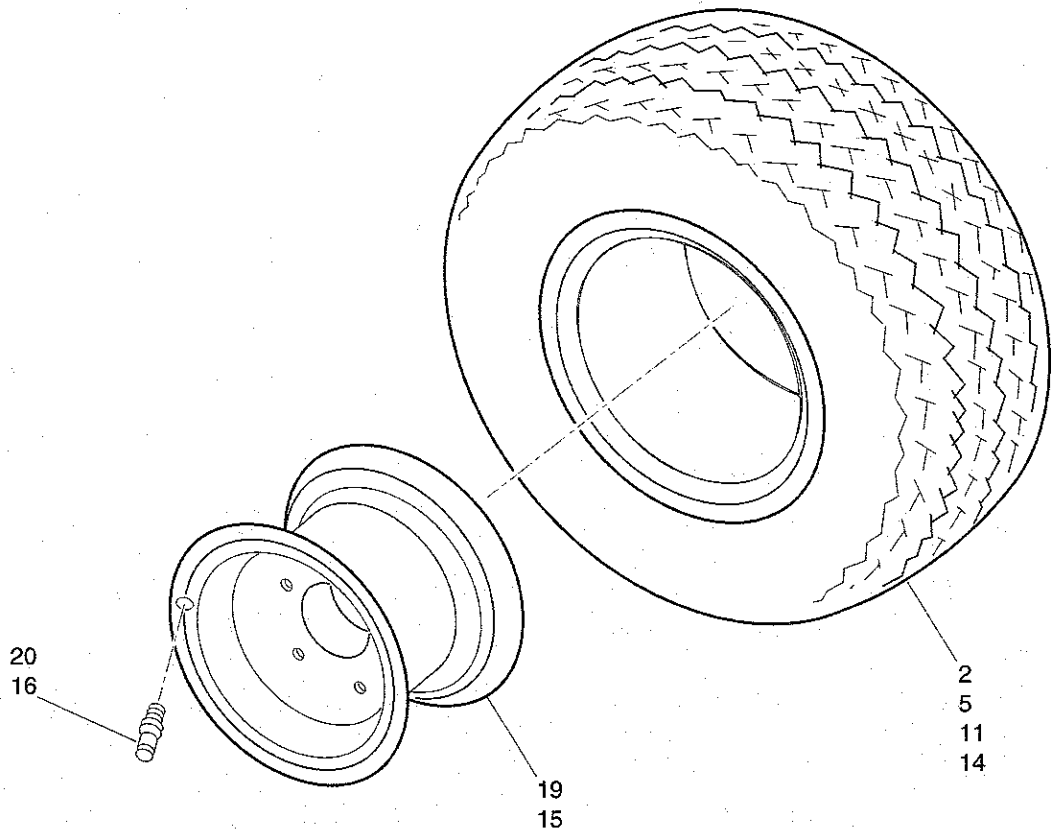
ITEM	PART NO.	1	2	3	4	5	DESCRIPTION	QTY.
30								
31	71966-G01						WINDSHIELD KIT (FULL) (INCLUDES ITEMS 32 - 38) .....	1
32	71954-G01						WINDSHIELD (FULL) (LEXAN) .....	1
33	EGWHC12						SASH, 26" LG. ....	2
34	EGWHS12						BOLT, 1/4 - 20 X 1 3/4" LG. (STAINLESS STEEL) .....	2
35	EGWHG12						WASHER, 1/4" (STAINLESS STEEL) .....	4
36	EGWHG13						RUBBER GROMMET .....	2
37	EGWHN12						LOCK NUT, 1/4 - 20 (STAINLESS STEEL) .....	2
38	EGWHL14						SAFETY LABEL .....	1
39								
40								
41								
42								
43								
44	71966-G03						WINDSHIELD KIT (FULL) (INCLUDES ITEMS 45, 33 - 37) .....	1
45	71960-G01						WINDSHIELD (FULL) .....	1
46								
47	71966-G04						WINDSHIELD KIT (SPLIT) (INCLUDES ITEMS 48, 49, 34 - 37) .....	1
48	71961-G01						WINDSHIELD (SPLIT) .....	1
49	EGWHC10						SASH, 12" LG. ....	2
50								
51								
52								
53								
54	71966-G02						WINDSHIELD KIT (SPLIT) (INCLUDES ITEMS 55, 56, 34 - 37) .....	1
55	71955-G01						WINDSHIELD (SPLIT) (LEXAN) .....	1
56	EGWHC10						SASH, 12" LG. ....	2

# WEATHER PROTECTION

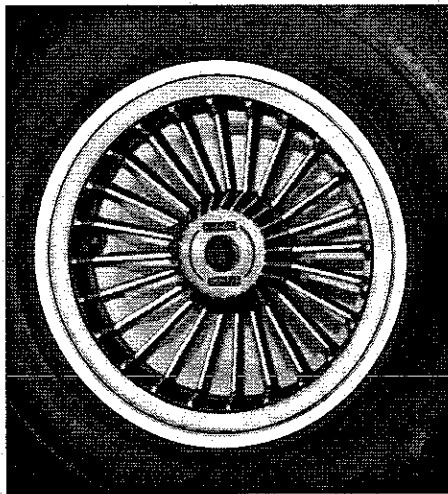
# WHEELS AND TIRES

- 1 - Includes Items 2, 19, 20
- 4 - Includes Items 5, 19, 20
- 10 - Includes Items 11, 19, 20
- 13 - Includes Items 14, 15, 16

Tire design may vary by Part Number



Ref Wht 20-1



**GOLD / SILVER SPOKE HUBCAP**  
22, 23



# WHEELS AND TIRES

When ordering parts, please specify the model and serial number of the product.

\* Indicates a component that is not available as an individual part.

G\*\* Indicates consult Customer Service Department for additional information.

ITEM	PART NO.	1 2 3 4 5	DESCRIPTION	QTY.
1	28757-G01		TIRE AND WHEEL ASSEMBLY (LINKS 18 X 8.5 - 8) (INCLUDES ITEMS 2, 19, 20).....	A/R
2	28764-G01		TIRE (LINKS 18 X 8.5 - 8) .....	A/R
3				
4	28757-G03		WHEEL AND TIRE ASSEMBLY (TURF SAVER 18 X 8.5 - 8) (INCLUDES ITEMS 5, 19, 20).....	A/R
5	28764-G03		TIRE (TURF-SAVER 18 X 8.5 - 8).....	A/R
6				
7				
8				
9				
10	28758-G01		WHEEL AND TIRE ASSEMBLY (USA TRAIL 6-PLY 18.5 X 8.5 - 8) (INCLUDES ITEMS 11, 19, 20).....	A/R
11	28764-G06		TIRE (USA TRAIL 18.5 X 8.5 - 8) .....	A/R
12				
13	27784-G02		WHEEL AND TIRE ASSEMBLY, USA TRAIL (INCLUDES ITEMS 14, 15 16)....	A/R
14	27784-G04		CARLISLE TIRE (USA TRAIL 5.70 X 8) .....	A/R
15	33678-G01		WHEEL RIM (4 LUG).....	A/R
16	26482-G01		VALVE STEM.....	A/R
17				
18				
19	28759-G01		WHEEL RIM (4 LUG).....	A/R
20	11657-G2		VALVE STEM.....	A/R
21				
22	19241-G*		GOLD SPOKE HUBCAP (OPTIONAL) .....	A/R
23	19241-G*		SILVER SPOKE HUBCAP (OPTIONAL).....	A/R

# **SPECIALTY PRODUCTS**

# **SPECIALTY PRODUCTS**

## SPECIALTY PRODUCTS

<b>SPECIAL TOOLS</b>	<b>PART NO.</b>
HIGH RESISTANCE SPARK PLUG WIRE SET .....	26733-G02
CLUTCH PULLER (DRIVE) .....	19779-G2
FLYWHEEL PULLER.....	27111-G01
CURRENT INDICATOR.....	16489-G2
DIGITAL MULTI-METER.....	27481-G01
SLIDE HAMMER (AXLE/HUB REMOVAL).....	15947-G1
SLIDE HAMMER (AXLE REMOVAL ONLY).....	18753-G1
COMPRESSION TESTER.....	72524-G01
FEELER GAUGE.....	72525-G01
TACHOMETER.....	72526-G01

<b>ENGINE OIL</b>	<b>PART NO.</b>
4 CYCLE ENGINE OIL, 5 GALLON (19 LITER) .....	25730-G03
4 CYCLE ENGINE OIL, 12 QUART CASE .....	25730-G04
4 CYCLE ENGINE OIL, 1 QUART BOTTLE (950 ML) .....	25730-G06

<b>TOUCH UP PAINT</b>	<b>PART NO.</b>
PEN 3 OUNCE (89 ML) - HUNTER GREEN .....	28432-G02
PEN 3 OUNCE (89 ML) - CHAMPAGNE BEIGE .....	28432-G01
PEN 3 OUNCE (89 ML) - WHITE .....	28432-G05
PEN 3 OUNCE (89 ML) - INDUSTRIAL YELLOW.....	28432-G03
PEN 3 OUNCE (89 ML) - ORANGE .....	28432-G04
PEN 3 OUNCE (89 ML) - STEEL BLUE PEARL .....	28432-G24
PEN 3 OUNCE (89 ML) - OLIVE GREEN.....	28432-G**
PEN 3 OUNCE (89 ML) - CAMOUFLAGE PAINT (THREE PENS).....	75831-G01
AEROSOL 12 OUNCE (360 ML) - HUNTER GREEN .....	28140-G09
AEROSOL 12 OUNCE (360 ML) - CHAMPAGNE BEIGE .....	28140-G15
AEROSOL 12 OUNCE (360 ML) - WHITE .....	28140-G03
AEROSOL 12 OUNCE (360 ML) - INDUSTRIAL YELLOW.....	28140-G14
AEROSOL 12 OUNCE (360 ML) - ORANGE .....	28140-G13
AEROSOL 12 OUNCE (360 ML) - STEEL BLUE PEARL .....	28140-G**
AEROSOL 12 OUNCE (360 ML) - OLIVE GREEN.....	28140-G**

## SPECIALTY PRODUCTS

<b>MAINTENANCE PRODUCTS</b>	<b>PART NO.</b>
FORMULA 40 VINYL-COAT® - WHITE .....	28166-G01
PLEXUS® CLEANER, 7 OUNCE (210 ML) (FOR WINDSHIELDS) .....	28433-G01
PLEXUS® CLEANER, 13 OUNCE (380 ML) (FOR WINDSHIELDS) .....	28433-G02
BATTERY PROTECTOR, 14 OUNCE (410 ML) SPRAY .....	75500-G01
CARBURETOR & CHOKE CLEANER, 15 OUNCE (440 ML) SPRAY .....	75501-G01
WHITE LITHIUM GREASE, 14 OUNCE (410 ML) SPRAY .....	75502-G01
PENETRANT/LUBRICANT, 15 OUNCE (440 ML) SPRAY .....	75503-G01
MULTI-PURPOSE CLEANER & DEGREASER, 14 OUNCE (410 ML) SPRAY .....	75504-G01
MULTI-PURPOSE HAND CLEANER, 32 OUNCE (950 ML) LIQUID .....	75505-G01
BATTERY CLEANER, 32 OUNCE (950 ML) WITH TRIGGER SPRAYER .....	75506-G01
BIO-DEGRADABLE CLEANER, 32 OUNCE (950 ML) WITH TRIGGER SPRAYER.....	75507-G01
MULTI-PURPOSE VALUE PACK.....	75508-G01
<ul style="list-style-type: none"> <li>• BATTERY PROTECTOR, 4 OUNCE (120 ML) SPRAY</li> <li>• PENETRANT/LUBRICANT, 4 OUNCE (120 ML) SPRAY</li> <li>• WHITE LITHIUM GREASE, 4 OUNCE (120 ML) SPRAY</li> <li>• CARBURETOR &amp; CHOKE CLEANER, 4 OUNCE (120 ML) SPRAY</li> </ul>	

# **SPECIALTY PRODUCTS**

# **OPTIONS/ACCESSORIES**

# **OPTIONS/ACCESSORIES**

## OPTIONS/ACCESSORIES

ITEM	KIT NO.	COMMENTS
ASHTRAY KIT . . . . .	75109-G04 . . . . .	See BODY
BALL HITCH KIT . . . . .	74492-G02 . . . . .	See BODY
BUMPER KIT . . . . .	74292-G04 . . . . .	See BODY
CAB, W/O DOORS . . . . .	75854-G0* . . . . .	See CAB
CAB SWITCH PANEL . . . . .	74250-G01 . . . . .	See CAB
CLEVIS HITCH KIT . . . . .	74492-G06 . . . . .	See BODY
DEFROSTER/COOLING FAN . . . . .	74248-G01 . . . . .	See CAB
DIFFERENTIAL GUARD . . . . .	72347-G02 . . . . .	See REAR AXLE
DOOR SET . . . . .	75856-G0* . . . . .	See CAB
DOOR SET (VINYL) . . . . .	75855-G01 . . . . .	See CAB
ELECTRIC DUMP KIT . . . . .	74164-G04 . . . . .	See TRUCKBED
GLOVE BOX DOOR . . . . .	75456-G0* . . . . .	See BODY
HOUR METER KIT . . . . .	75114-G02 . . . . .	See ELECTRICAL SYSTEM
INSIDE REAR VIEW MIRROR (CAB) . . . . .	27924-G01 . . . . .	See WEATHER PROTECTION
REAR VIEW MIRROR KIT . . . . .	19528-G2 . . . . .	See WEATHER PROTECTION
SOFT ENCLOSURE . . . . .	75367-G0* . . . . .	See WEATHER PROTECTION
STROBE LIGHT . . . . .	74245-G01 . . . . .	See CAB
SUN TOP KIT . . . . .	75040-G0* . . . . .	See WEATHER PROTECTION
TURN SIGNAL KIT . . . . .	75107-G02 . . . . .	See ELECTRICAL SYSTEM
GOLD SPOKE WHEEL COVERS . . . . .	19241-G* . . . . .	See WHEELS AND TIRES
SILVER SPOKE WHEEL COVERS . . . . .	19241-G* . . . . .	See WHEELS AND TIRES
WINDSHIELD (FULL) (LEXAN-POLYCARBONATE) . . . . .	71966-G01 . . . . .	See WEATHER PROTECTION
WINDSHIELD (SPLIT) (LEXAN-POLYCARBONATE) . . . . .	71966-G02 . . . . .	See WEATHER PROTECTION
WINDSHIELD (FULL) (PLEXIGLAS) . . . . .	71966-G03 . . . . .	See WEATHER PROTECTION
WINDSHIELD (SPLIT) (PLEXIGLAS) . . . . .	71966-G04 . . . . .	See WEATHER PROTECTION
WINDSHIELD WIPER . . . . .	74244-G01 . . . . .	See CAB
WORK LIGHTS . . . . .	74247-G01 . . . . .	See CAB
WORK LIGHT BAR WITH LIGHTS . . . . .	71323-G01 . . . . .	See ELECTRICAL SYSTEM
WORK LIGHT BAR WITH STROBE . . . . .	71323-G02 . . . . .	See ELECTRICAL SYSTEM
WORK LIGHT BAR WITH LIGHTS AND STROBE . . . . .	71323-G03 . . . . .	See ELECTRICAL SYSTEM



A Textron Company

E-Z-GO Division of Textron, Inc.  
1451 Marvin Griffin Road, Augusta, Georgia 30906 - 3852 USA  
Inside USA Phone: 1-800-241-5855, FAX: 1-800-448-8124  
Outside USA Phone: 010-1-706-798-4311, FAX: 010-1-706-771-4609

Copyrighted Material  
This manual may not be reproduced in whole or  
in part without the express permission of  
E-Z-GO Division of Textron, Inc.  
Technical Communications Department