



YAMAHA

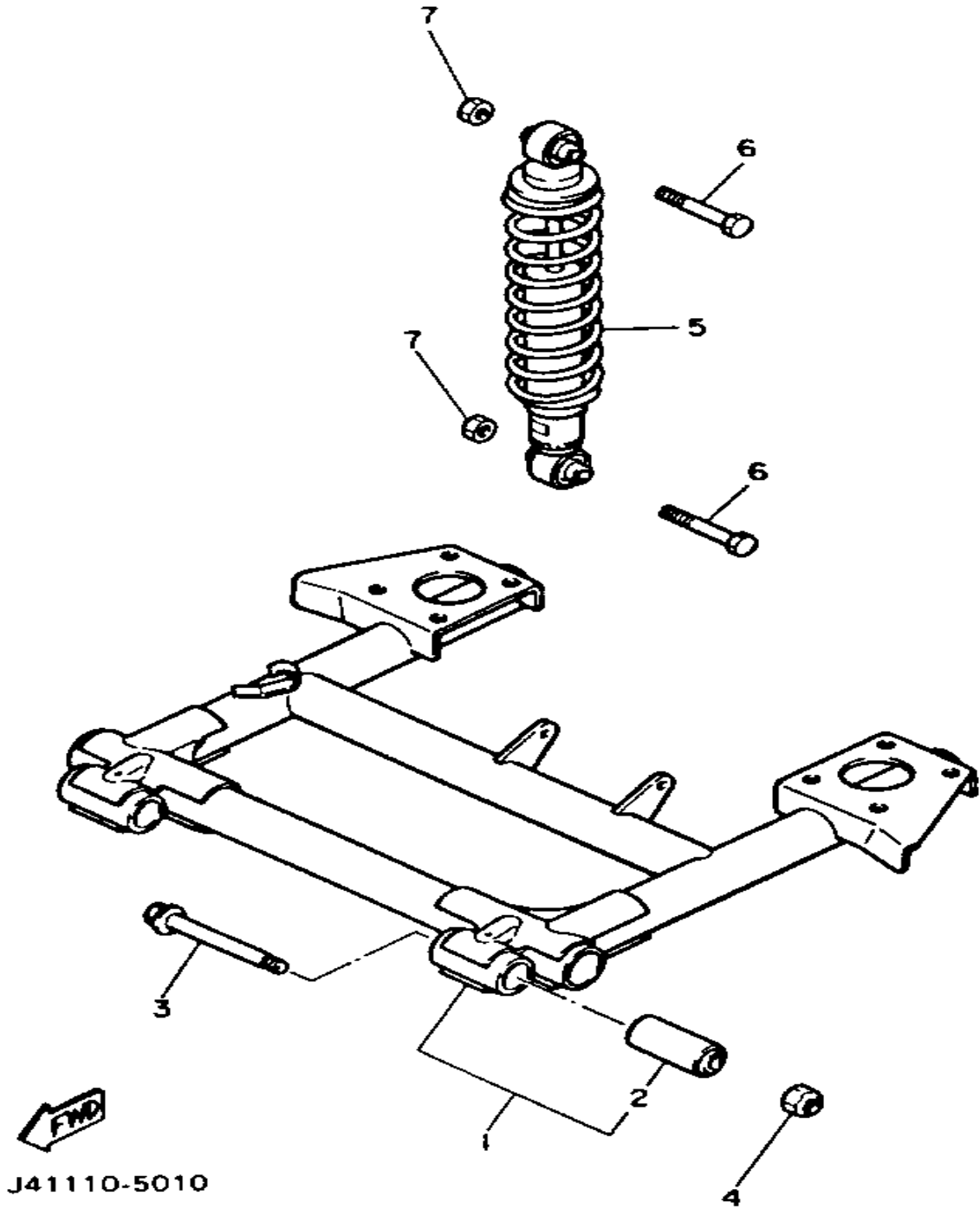
GENUINE

PARTS CATALOGUE

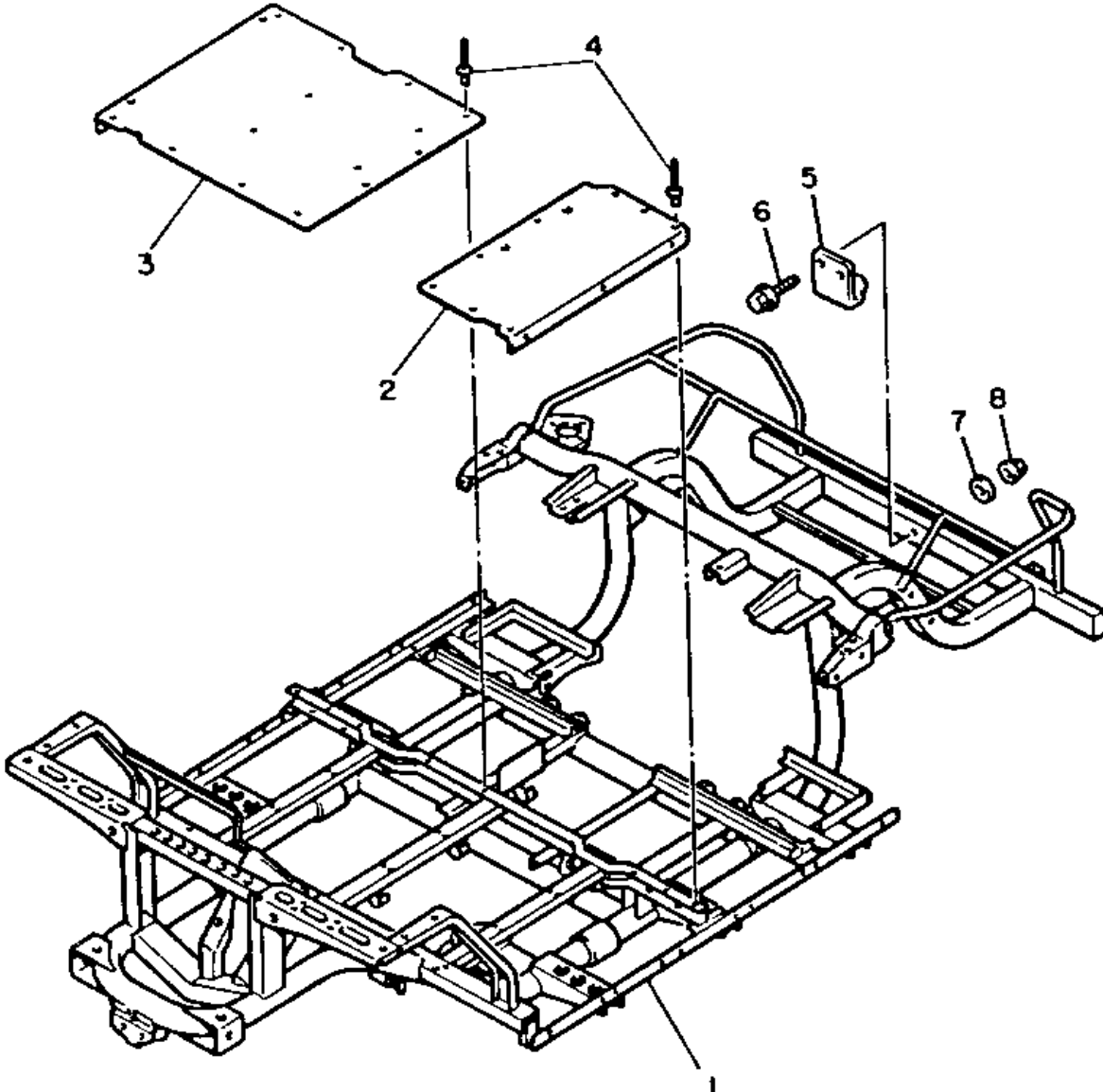
GOLF CAR

REAR SHOCKS

Ref. No.	Part Number	Description	Qty	Remarks
1	J56-F2110-W0-00	REAR ARM COMP. (J56-F2110-00-00)	1	
2	J10-22123-00-00	BUSH 1	2	
3	90105-10359-00	BOLT, WASHER BASED	2	
4	90185-10115-00	NUT, SELF-LOCKING	2	
5	JG6-F2210-00-00	SHOCK ABSORBER ASSEMBLY, REAR	2	
6	97012-10050-00	BOLT (97002-10050-00)	4	
7	95601-10100-00	NUT, U (95602-10100-00)	4	

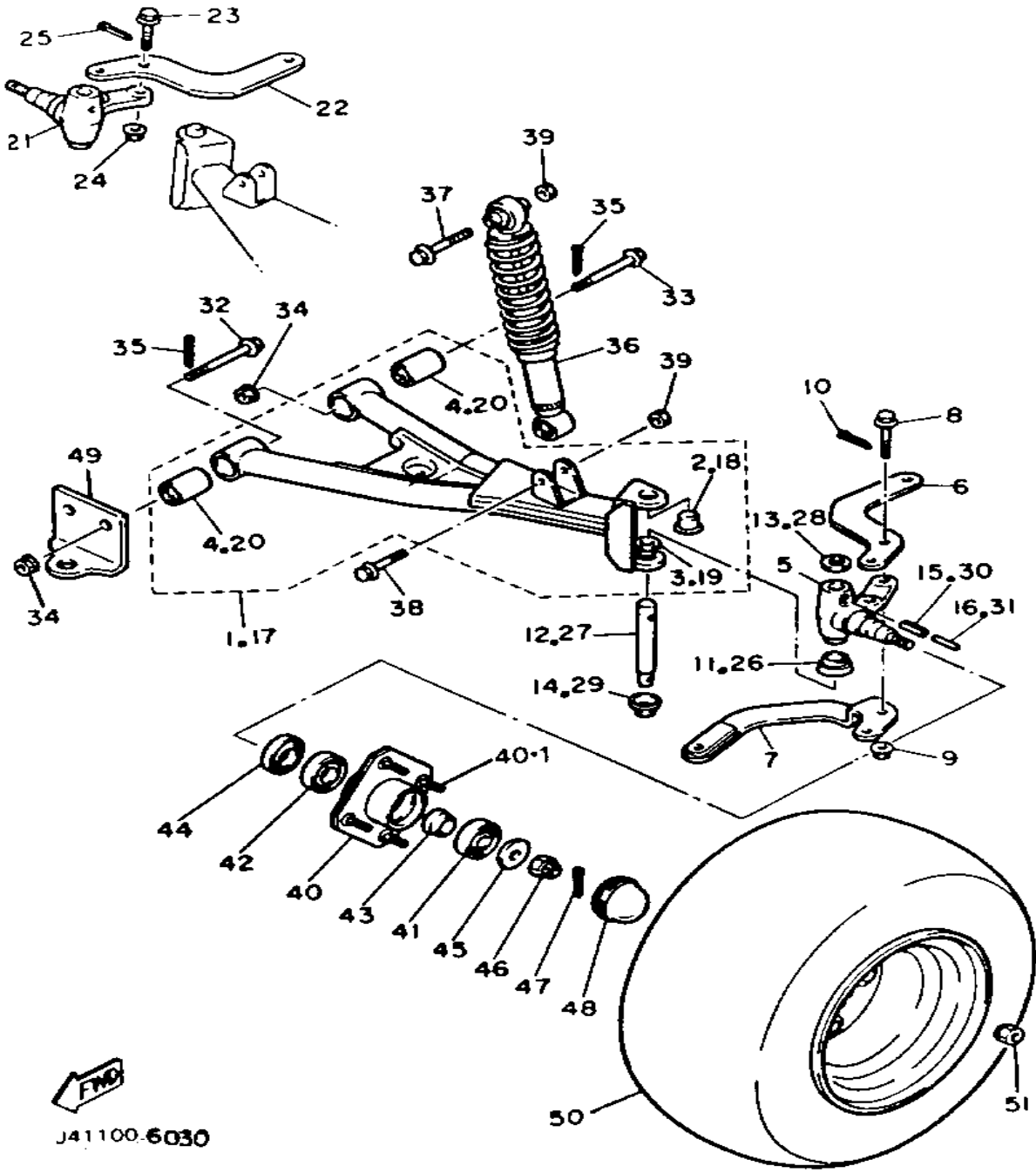


FRAME



Ref. No.	Part Number	Description	Qty	Remarks
1	J56-F2501-00-00	FRAME COMP. (J41-22501-01)	1	
2	J55-F2571-00-00	PANEL 1	1	
3	J55-F2572-00-00	PANEL 2	1	
4	90267-40054-00	RIVET, BLIND	20	
5	ABA-JF286-00-00	REAR HITCH	1	
6	95811-08050-00	BOLT, FLANGE (95812-08050)	2	
7	90201-08730-00	WASHER, PLATE	2	
8	95701-08500-00	NUT, FLANGE	2	

FRONT SUSPENSION - WHEEL

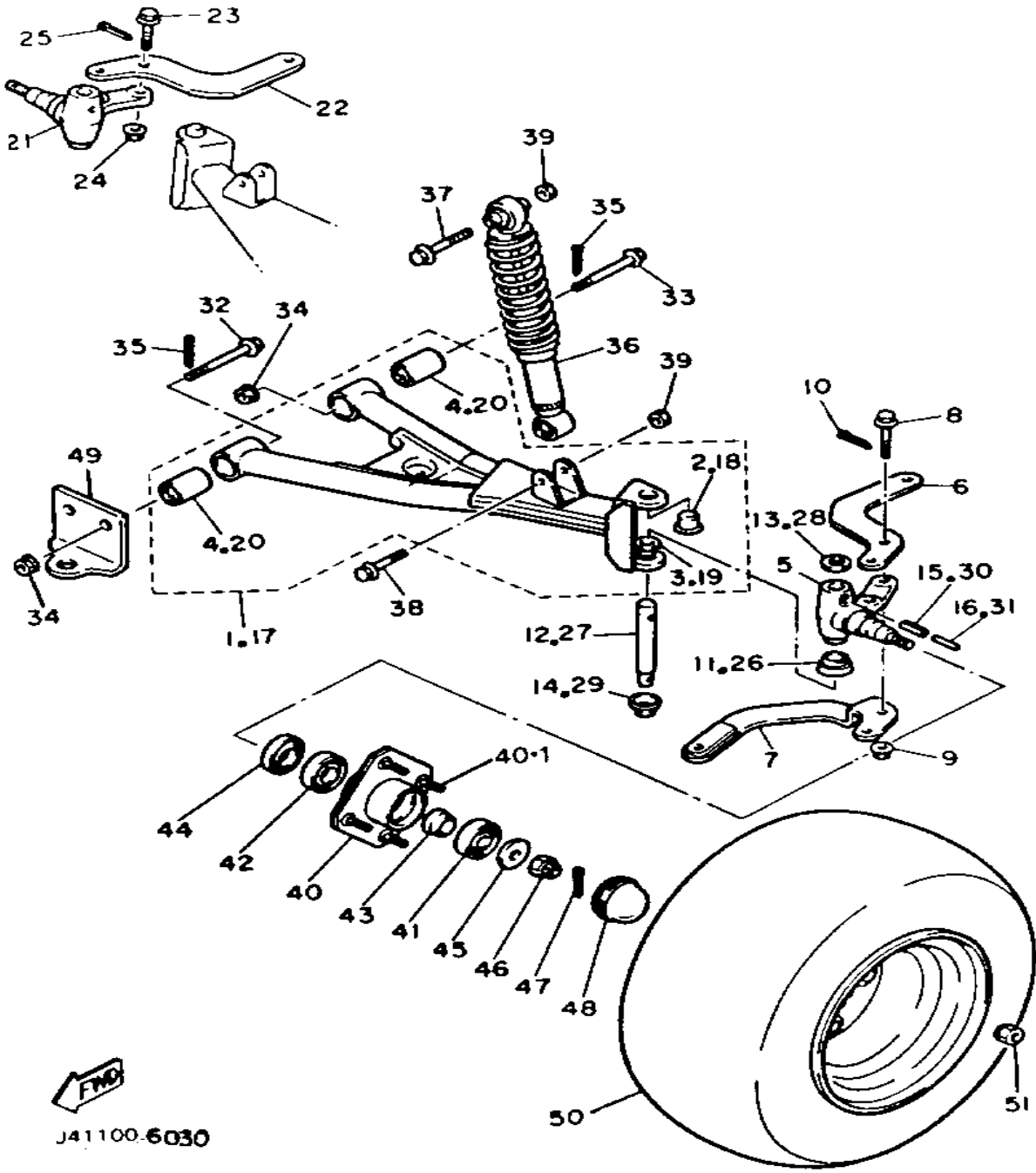


J41100.6030

Ref. No.	Part Number	Description	Qty	Remarks
1	J38-23507-01-00	FRONT LOWER ARM SUB-ASS'Y (L.H) (J38-23507-00)	1	
2	90338-17225-00	PLUG	1	
3	90386-15139-00	BUSH	1	
4	J38-23526-00-00	BUSH	2	
5	J38-23511-01-00	KNUCKLE, STEERING 1	1	
6	J38-23512-02-00	ARM, KNUCKLE 1	1	
7	ABA-JF288-00-00	ARM, STEERING (J41-23532-00)	1	
8	90105-10366-00	BOLT, WASHER BASED	2	
9	90185-10115-00	NUT, SELF-LOCKING	2	
10	91401-25020-00	PIN, COTTER	2	
11	J38-23527-00-00	SEAL, DUST	1	
12	J38-23516-00-00	PIN, STEERING KNUCKLE	1	
13	90201-156J2-00	WASHER, PLAIN	1	
14	J38-23528-00-00	SEAL, DUST	1	
15	91609-60028-00	PIN, SPRING	1	
16	91609-35028-00	PIN, SPRING	1	
17	J38-23508-01-00	FRONT LOWER ARM SUB-ASS'Y (R.H) (J38-23508-00)	1	
18	90338-17225-00	PLUG	1	
19	90386-15139-00	BUSH	1	
20	J38-23526-00-00	BUSH	2	
21	J38-23521-01-00	KNUCKLE, STEERING 2	1	
22	J38-23512-02-00	ARM, KNUCKLE 1	1	
23	90105-10360-00	BOLT, FLANGE	2	
24	90185-10115-00	NUT, SELF-LOCKING	2	
25	91401-25020-00	PIN, COTTER	2	
26	J38-23527-00-00	SEAL, DUST	1	
27	J38-23516-00-00	PIN, STEERING KNUCKLE	1	

CONTINUED ON NEXT FRAME ►

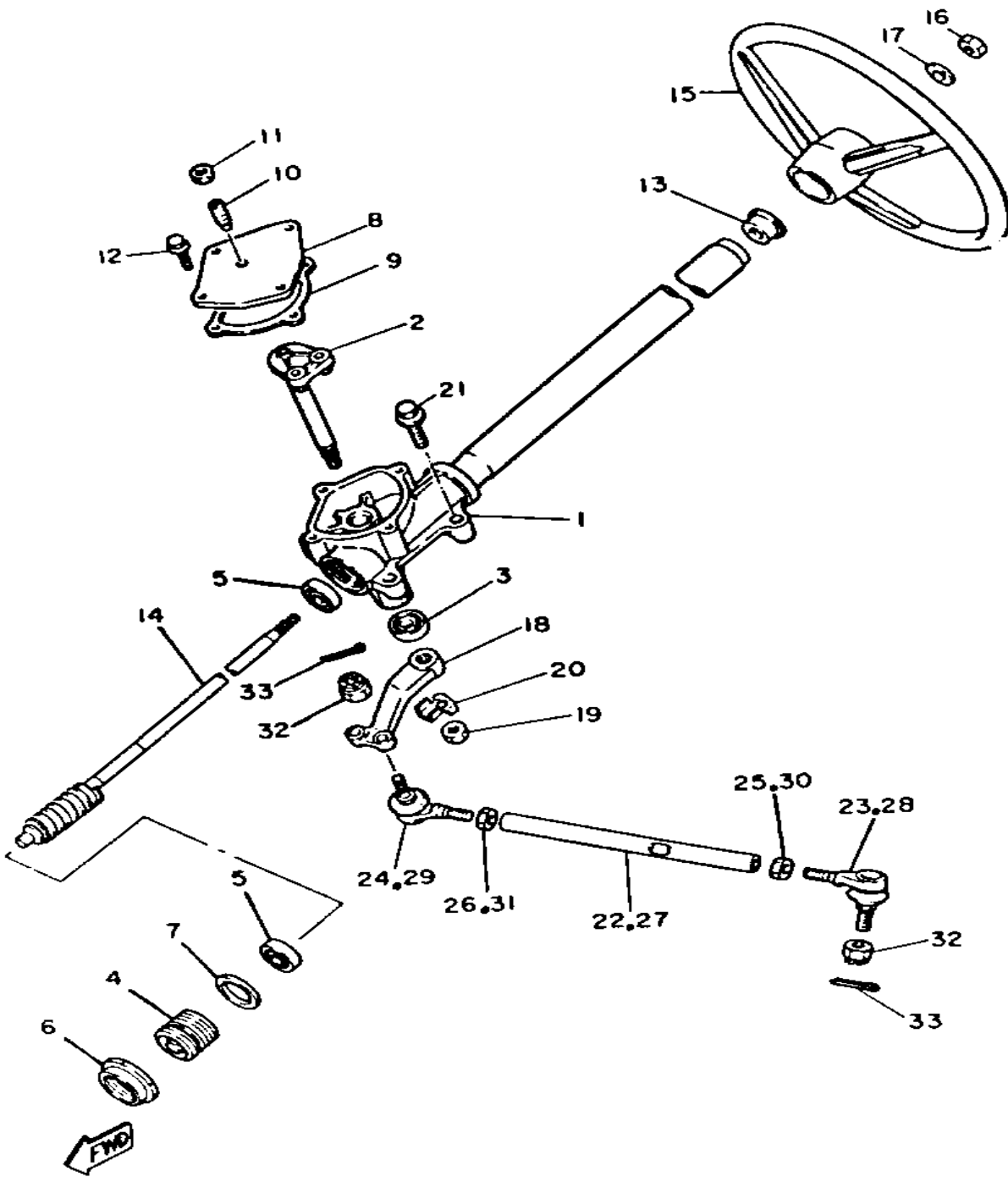
FRONT SUSPENSION - WHEEL



Ref. No.	Part Number	Description	Qty	Remarks
28	90201-156J2-00	WASHER, PLAIN	1	
29	J38-23528-00-00	SEAL, DUST	1	
30	91609-60028-00	PIN, SPRING	1	
31	91609-35028-00	PIN, SPRING	1	
32	90105-10358-00	BOLT, WASHER BASED	2	
33	90105-10357-00	BOLT, FLANGE	2	
34	90185-10115-00	NUT, SELF-LOCKING	4	
35	91401-25020-00	PIN, COTTER	4	
36	J41-23350-00-00	SHOCK ABSORBER ASS'Y	2	
37	97002-10065-00	BOLT	2	
38	97012-10050-00	BOLT (97002-10050-00)	2	
39	95601-10100-00	NUT, U (95602-10100-00)	4	
40	J38-W2511-00-00	HUB, FRONT	2	
41	93306-20437-00	BEARING	2	
42	93306-00511-00	BEARING	2	
43	90387-241M7-00	COLLAR	2	
44	93102-30083-00	SEAL, OIL	2	
45	90209-32271-00	WASHER	2	
46	95601-14100-00	NUT, U (95602-14100-00)	2	
47	91401-25020-00	PIN, COTTER	2	
48	J17-25118-00-00	COVER, HUB DUST	2	
49	J41-23881-02-00	BRACKET 1 (J41-23881-01)	1	
50	J55-F5100-00-00	FRONT WHEEL ASSEMBLY	2	
51	90179-12262-00	NUT	8	
40-1	90114-12003-00	BOLT, RIBBED NECK	8	

FMO
J41100.6030

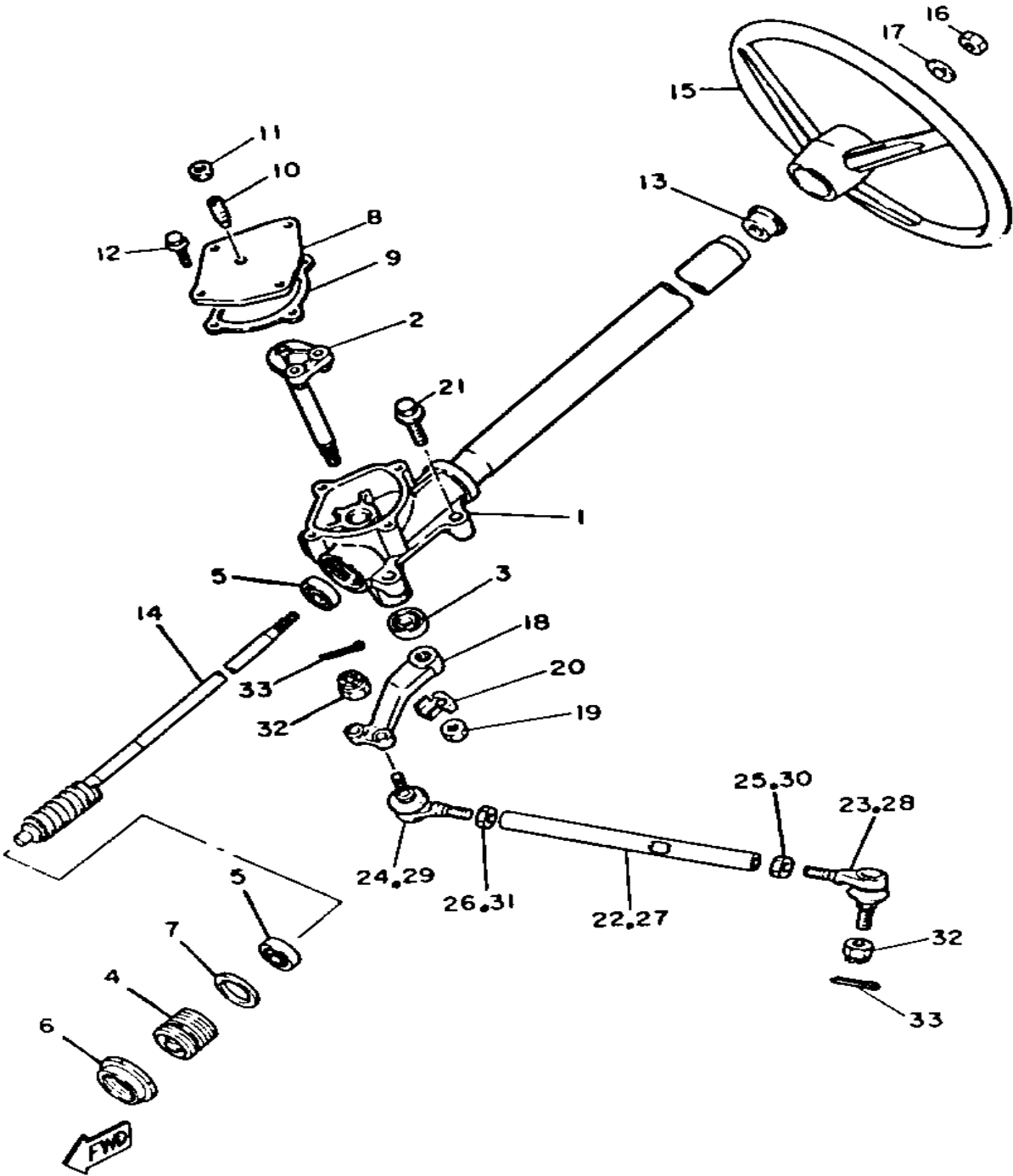
STEERING



Ref. No.	Part Number	Description	Qty	Remarks
1	J55-F3811-00-00	COLUMN, STEERING (J38-23811-00)	1	
2	J38-23816-00-00	ARM, PITMAN	1	
3	93102-22087-00	OIL SEAL	1	
4	J55-F3876-00-00	BOLT	1	
5	93332-00010-00	BEARING	2	
6	J10-23877-00-00	NUT	1	
7	J10-23444-00-00	WASHER	1	
8	J55-23818-00-00	COVER, STEERING		
9	J38-23462-00-00	SEAL, STEERING (J38-23462-01-00)	1	
10	J10-23459-00-00	BOLT	1	
11	90170-08024-00	NUT, HEX.	1	
12	95811-06020-00	BOLT, FLANGE	4	
13	J38-23814-00-00	HOLDER, HANDLE UPPER	1	
14	J10-23840-00-00	STEERING SHAFT	1	
15	J55-F3838-00-00	WHEEL, STEERING (J10-23838-00)	1	
16	90185-12119-00	NUT, SELF-LOCKING	1	
17	92990-12200-00	WASHER, PLAIN	1	
18	J38-23826-01-00	ARM, IDLER	1	
19	95701-16300-00	NUT, FLANGE	1	
20	90215-16252-00	WASHER, TONGUE	1	
21	95811-10050-00	BOLT, FLANGE (95812-10050-00)	4	
22	J38-23831-02-00	ROD, TIE	1	
23	J38-23841-01-00	JOINT, UNIVERSAL 1	1	
24	J38-23845-01-00	JOINT, UNIVERSAL 2	1	
25	90170-12055-00	NUT	1	
26	90170-12054-00	NUT	1	

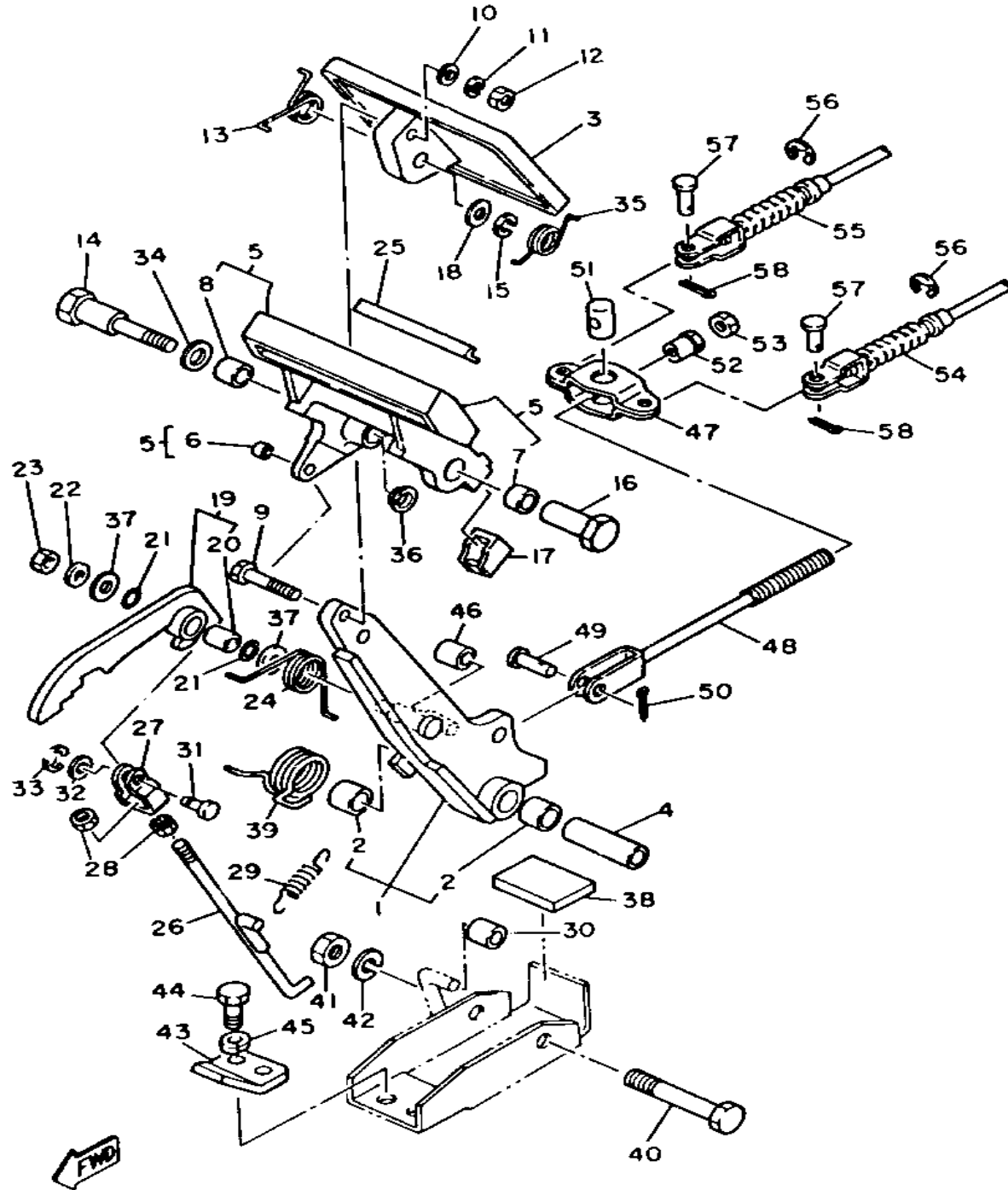
CONTINUED ON NEXT FRAME ►

STEERING



Ref. No.	Part Number	Description	Qty	Remarks
27	J38-23837-02-00	ROD, TIE 2	1	
28	J38-23841-01-00	JOINT, UNIVERSAL 1	1	
29	J38-23845-01-00	JOINT, UNIVERSAL 2	1	
30	90170-12055-00	NUT	1	
31	90170-12054-00	NUT	1	
32	95601-10100-00	NUT, U (95602-10100-00)	4	
33	91401-25020-00	PIN, COTTER	4	

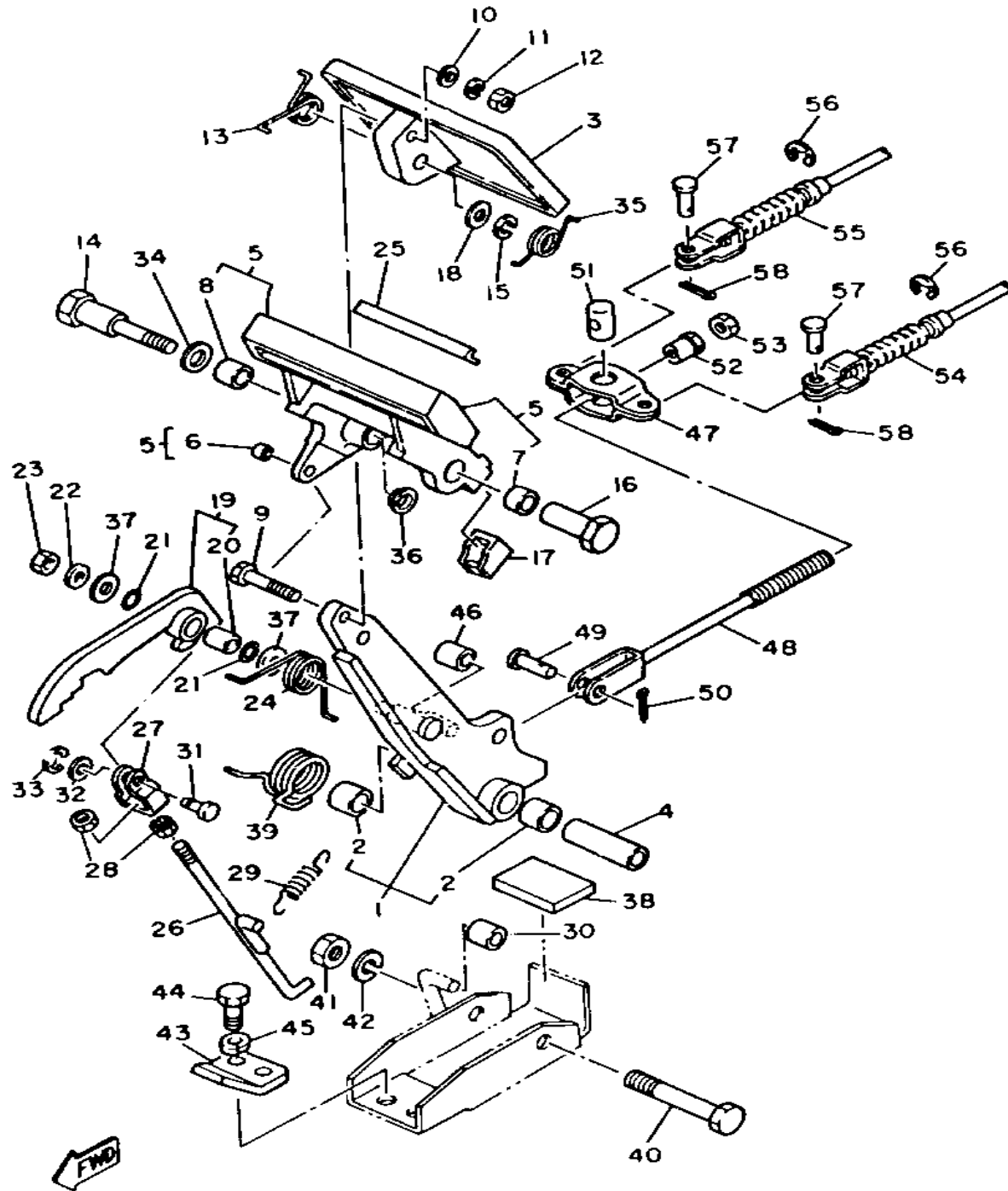
BRAKE



Ref. No.	Part Number	Description	Qty	Remarks
1	92990-10600-00	. WASHER, PLATE	1	
	99080-07600-00	. CIRCLIP (E)	1	
	99999-01757-00	BRAKE ARM CMLPT (J17-27250-01)	1	
2	90384-14080-00	BUSH, BIMETAL	2	
3	J10-27211-00-00	PEDAL, BRAKE	1	
4	90387-107F8-00	COLLAR	1	
5	99999-01799-00	PARKING PEDAL COMP. (J17-25670-00)	1	
	J17-25670-01-00	. PARKING PEDAL COMP.	1	
	J17-25679-01-00	. DAMPER	2	
6	90384-05163-00	BUSH, BIMETAL	1	
7	90384-12164-00	BUSH, BIMETAL	1	
8	90380-12051-00	BUSH, SOLID	1	
9	90101-06555-00	BOLT, HEX.	1	
10	92990-06200-00	WASHER	1	
11	92995-06100-00	WASHER, SPRING	1	
12	95380-06600-00	NUT	1	
13	90508-23542-00	SPRING, TORSION	1	
14	90109-08669-00	BOLT	1	
15	92990-08100-00	WASHER	1	
16	90179-08378-00	NUT	1	
17	J17-25679-01-00	DAMPER	2	
18	92990-08200-00	WASHER, PLAIN	1	
19	J17-W2561-00-00	SECTOR, PARKING BRAKE ..	1	
20	90384-10162-00	BUSH, BIMETAL	1	
21	J17-27221-00-00	SEAL, SHAFT	2	
22	90201-065F3-00	WASHER, PLATE	1	
23	95601-06100-00	NUT, U	1	

CONTINUED ON NEXT FRAME ►

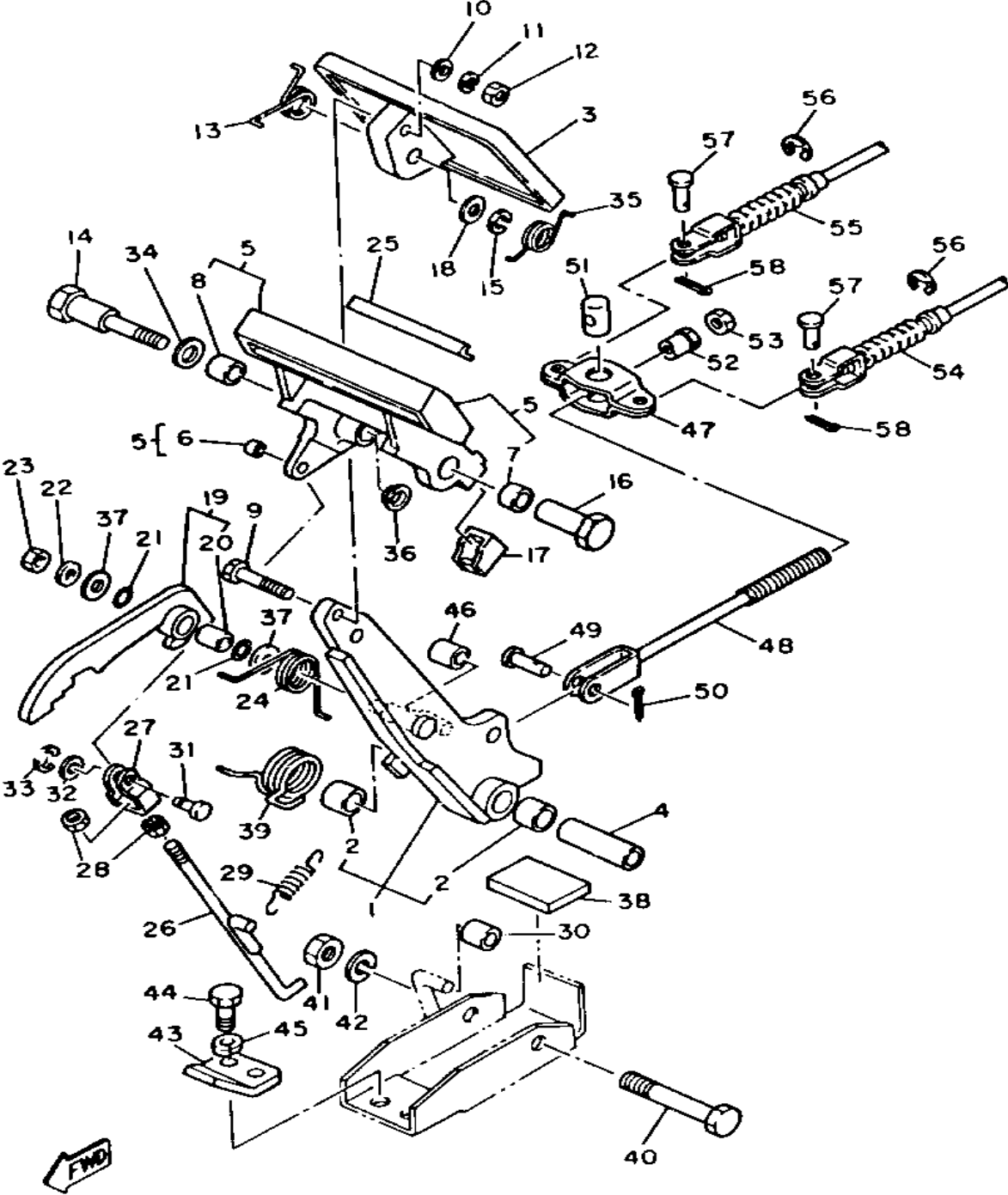
BRAKE



Ref. No.	Part Number	Description	Qty	Remarks
24	90508-14548-00	SPRING, TORSION	1	
25	J17-25672-00-00	PAD, PARKING PEDAL	1	
26	J17-27231-00-00	ROD, BRAKE	1	
27	J17-27232-00-00	END, ROD	2	
28	95380-06700-00	NUT	2	
29	90506-12277-00	SPRING, TENSION	2	
30	J17-25673-00-00	DAMPER, BRAKE	1	
31	J17-27228-00-00	PIN, LINK JOINT	1	
32	92901-05600-00	WASHER, PLATE	1	
33	99080-04600-00	CIRCLIP (E)	1	
34	90201-123F2-00	WASHER, PLAIN	1	
35	90508-26557-00	SPRING, TORSION	1	
36	90380-12105-00	BUSH, SOLID	1	
37	90201-104G8-00	WASHER, PLAIN	2	
38	J17-27245-00-00	PAD, BRAKE PEDAL	1	
39	90508-40543-00	SPRING, TORSION	1	
40	90101-10447-00	BOLT, HEX.	1	
41	95601-10100-00	NUT, U (95602-10100-00)	1	
42	92990-10100-00	WASHER, SPRING	1	
43	J17-27246-00-00	NAIL, BRAKE	1	
44	97313-08020-00	BOLT, HEXAGON	2	
45	92990-08100-00	WASHER	2	
46	J17-25673-00-00	DAMPER, BRAKE	1	
47	J10-25681-00-00	EQUALIZER, BRAKE	1	
48	J20-25685-00-00	ROD	1	
49	91701-10022-00	PIN	1	
50	91490-30020-00	PIN, COTTER	1	
51	90249-14129-00	PIN	1	
52	90179-08261-00	NUT	1	

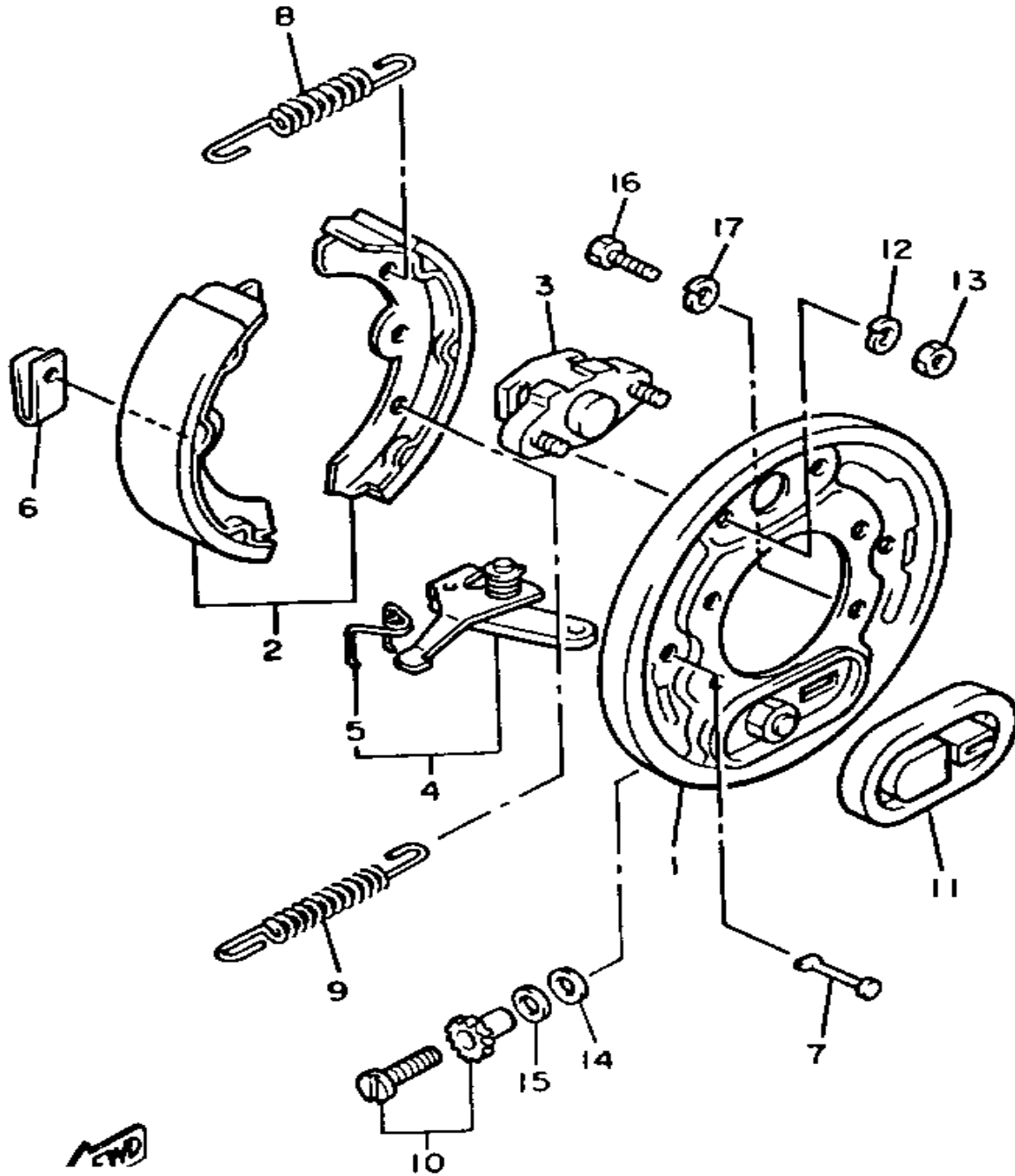
CONTINUED ON NEXT FRAME ►

BRAKE



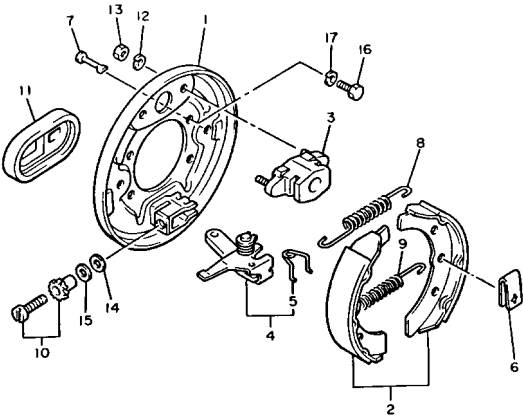
Ref. No.	Part Number	Description	Qty	Remarks
53	95303-08700-00	NUT	1	
54	J56-F6341-00-00	CABLE, BRAKE	1	
55	J56-F6351-00-00	CABLE, BRAKE	1	
56	99001-09600-00	CIRCLIP	4	
57	91701-08018-00	PIN	4	
58	91490-25020-00	PIN, COTTER	4	

BRAKE 2



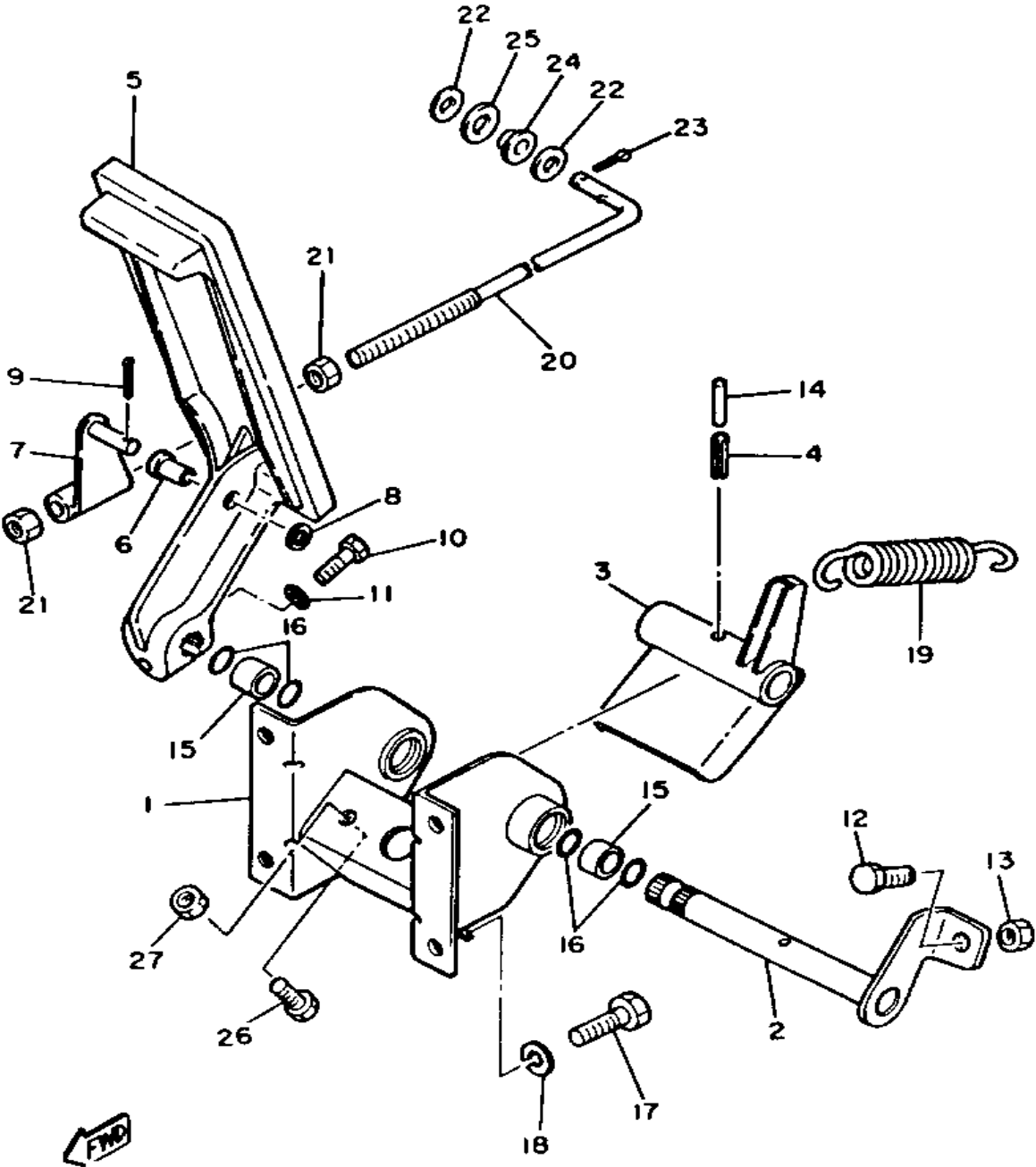
Ref. No.	Part Number	Description	Qty	Remarks
1	J17-27208-00-00	BACKING PLATE SUB ASSEMBLY 1 (R.H)	1	
2	J55-W2536-00-00	BRAKE SHOE SET	1	
3	J17-27206-00-00	ANCHOR BODY COMP.	1	
4	J38-27204-00-00	LEVER ASSEMBLY 1	1	
5	J55-25358-00-00	SPRING LEVER	1	
6	J10-27281-00-00	SPRING, SHOE CLAMP	2	
7	J10-27282-00-00	PIN, SHOE HOLD DOWN	2	
8	90506-20281-00	SPRING, TENSION	1	
9	90506-26191-00	SPRING, TENSION	1	
10	J55-27270-00-00	ADJUSTER ASSEMBLY	1	
11	J10-27286-00-00	COVER, DUST	1	
12	92995-06100-00	WASHER, SPRING	2	
13	95380-06600-00	NUT	2	
14	90201-121H8-00	WASHER, PLATE	1	
15	90201-121H9-00	WASHER, PLATE	1	
16	97011-08016-00	BOLT	4	
17	92902-08100-00	WASHER, SPRING	4	

BRAKE 3



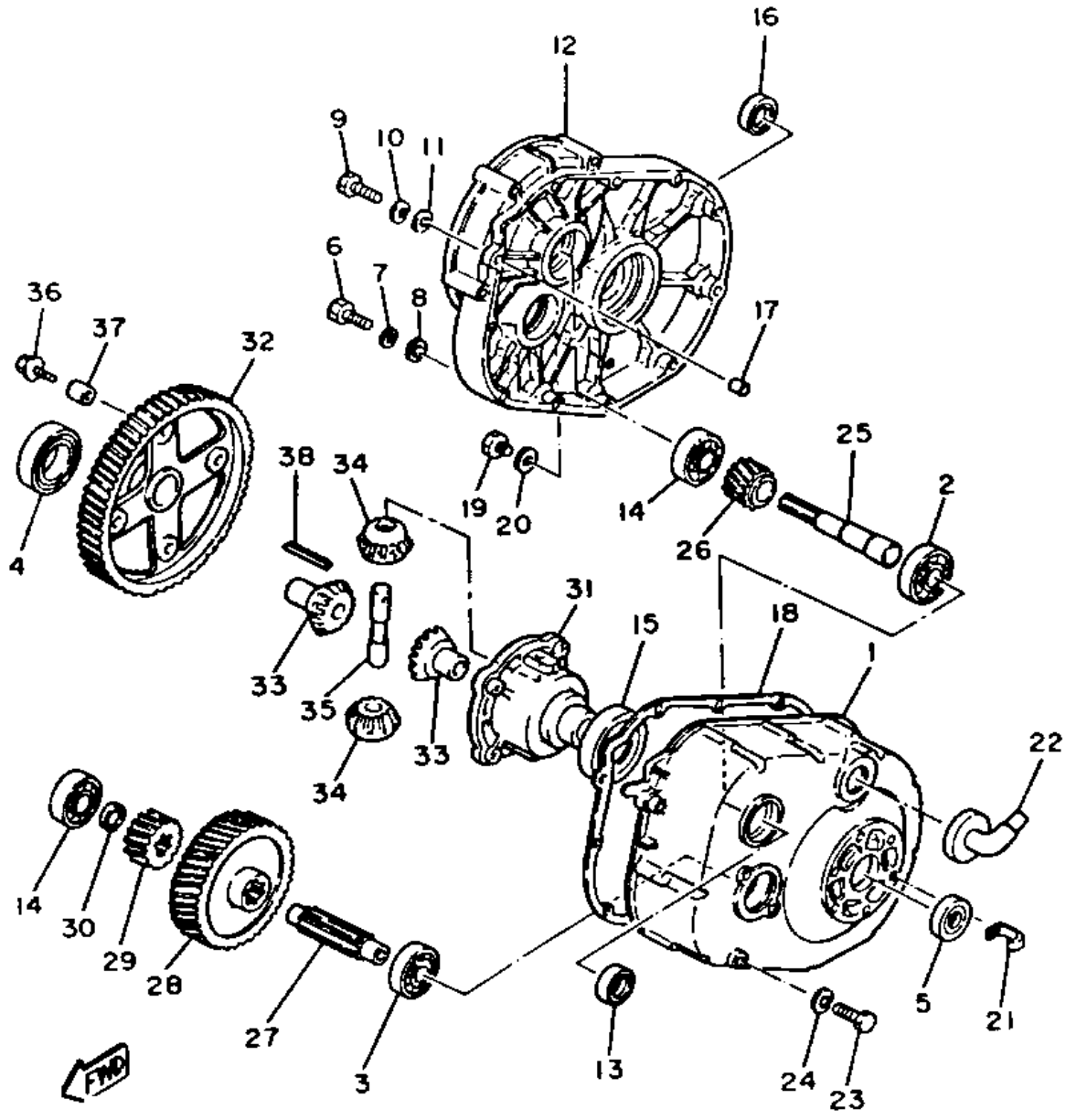
Ref. No.	Part Number	Description	Qty	Remarks
1	J17-27209-00-00	BACKING PLATE SUB ASSEMBLY 2 (L.H)	1	
2	J55-W2536-00-00	BRAKE SHOE SET	1	
3	J17-27206-00-00	ANCHOR BODY COMP.	1	
4	J38-27205-00-00	LEVER ASSEMBLY 2	1	
5	J55-25357-00-00	SPRING, LEVER	1	
6	J10-27281-00-00	SPRING, SHOE CLAMP	2	
7	J10-27282-00-00	PIN, SHOE HOLD DOWN	2	
8	90506-20281-00	SPRING, TENSION	1	
9	90506-26191-00	SPRING, TENSION	1	
10	J55-27260-00-00	ADJUSTER ASSEMBLY	1	
11	J10-27286-00-00	COVER, DUST	1	
12	92995-06100-00	WASHER, SPRING	2	
13	95380-06600-00	NUT	2	
14	90201-121H8-00	WASHER, PLATE	1	
15	90201-121H9-00	WASHER, PLATE	1	
16	97011-08016-00	BOLT	4	
17	92990-08100-00	WASHER	4	

ACCELERATOR



Ref. No.	Part Number	Description	Qty	Remarks
1	J41-27874-00-00	BRACKET, ACCELERATOR	1	
		PEDAL	1	
2	J17-27853-00-00	SHAFT, PEDAL 1	1	
3	J22-27872-00-00	ARM, ACCELERATOR	1	
4	91609-60028-00	PIN, SPRING	1	
5	JF3-27871-00-00	PEDAL, ACCELERATOR	1	
6	90381-06033-00	BUSH, SOLID	1	
7	J14-27815-00-00	LEVER, CRANK	1	
8	92990-06600-00	WASHER, PLATE	1	
9	91490-20020-00	PIN, COTTER	1	
10	97011-06025-00	BOLT (97001-06025)	1	
11	92995-06100-00	WASHER, SPRING	1	
12	90106-08040-00	BOLT, RD. HEX	1	
13	95303-08700-00	NUT	1	
14	91609-35028-00	PIN, SPRING	1	
15	90384-14080-00	BUSH, BIMETAL	2	
16	93210-14104-00	O-RING	4	
17	97313-06016-00	BOLT, HEXAGON	4	
18	92995-06100-00	WASHER, SPRING	4	
19	90506-29283-00	SPRING, TENSION	1	
20	J14-27241-00-00	ROD, JOINT	1	
21	95303-08700-00	NUT	2	
22	90201-07077-00	WASHER, PLAT	2	
23	91401-25020-00	PIN, COTTER	1	
24	90386-07100-00	BUSH	1	
25	90202-10116-00	WASHER, PLATE	1	
26	97011-06025-00	BOLT (97001-06025)	1	
27	95380-06700-00	NUT	1	

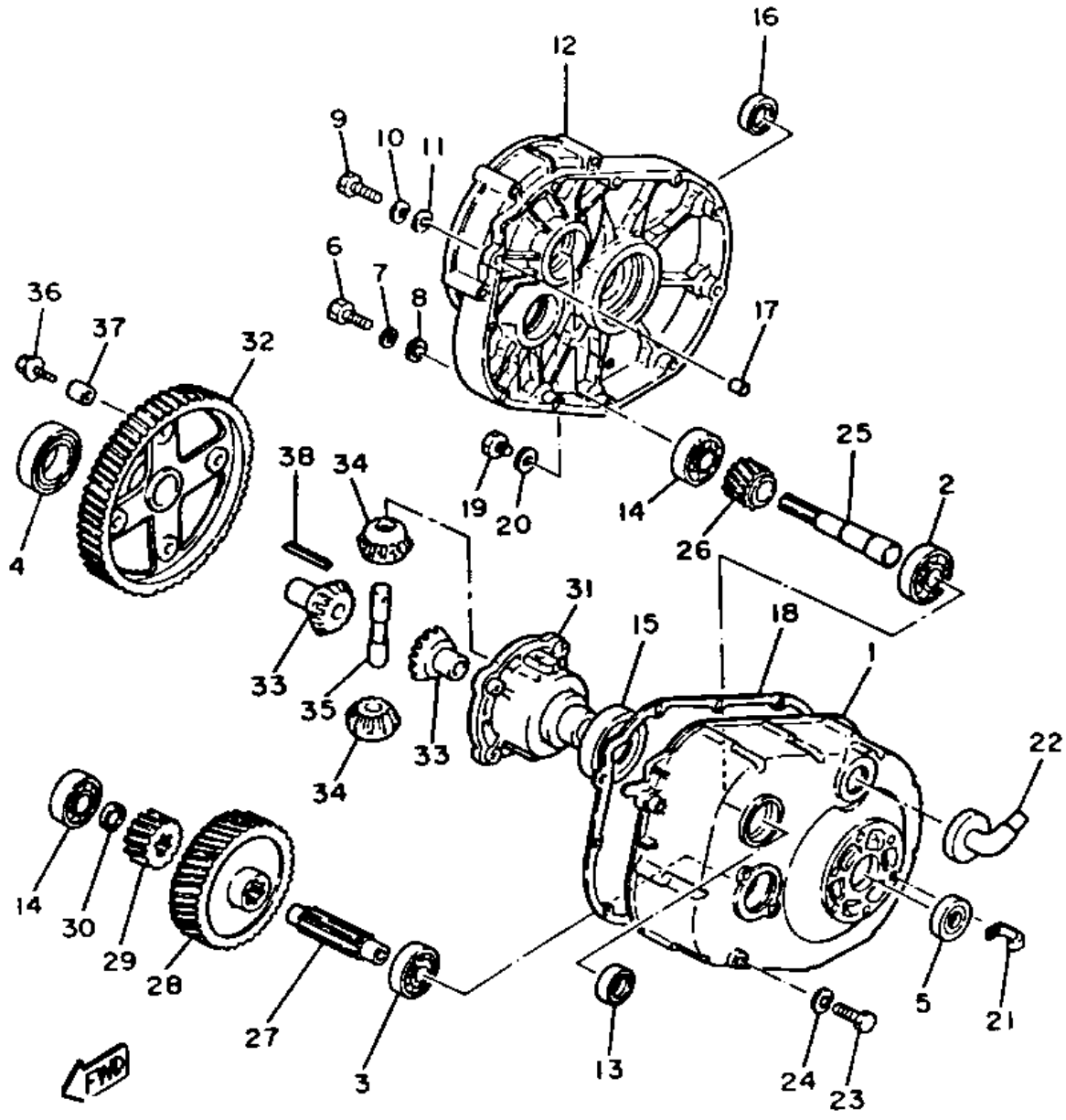
TRANSMISSION 1



Ref. No.	Part Number	Description	Qty	Remarks
1	J14-46311-00-00	CASE, TRANSMISSION 1	1	
2	93306-20541-00	BEARING (B6205)	1	
3	93306-20421-00	BEARING	1	
4	93306-00803-00	BEARING (B6008)	1	
5	93102-22189-00	OIL SEAL	1	
6	97313-08035-00	BOLT, HEXAGON	9	
7	92990-08100-00	WASHER	9	
8	92901-08600-00	WASHER	9	
9	97313-08045-00	BOLT	2	
10	92990-08100-00	WASHER	2	
11	92901-08600-00	WASHER	2	
12	J14-46312-02-00	CASE, TRANSMISSION 2	1	
13	93102-20143-00	OIL SEAL	1	
14	93306-20421-00	BEARING	2	
15	93306-00803-00	BEARING (B6008)	1	
16	93102-22189-00	OIL SEAL	1	
17	99510-12016-00	PIN, DOWEL	2	
18	J10-46319-01-00	GASKET	1	
19	90340-14036-00	PLUG, STRAIGHT SCRW	2	
20	90430-14043-00	GASKET	2	
21	90465-06100-00	CLAMP	1	
22	835-47559-00-00	CAP 2	1	
23	97011-10020-00	BOLT	2	
24	92990-10100-00	WASHER, SPRING	2	
25	J14-46321-01-00	SHAFT, INPUT	1	
26	J10-46331-02-00	GEAR, IMPUT 1	1	
27	J10-46351-00-00	SHAFT, COUNTER	1	
28	J10-46361-02-00	GEAR, COUNTER 1	1	
29	J17-46362-00-00	GEAR, COUNTER 2	1	

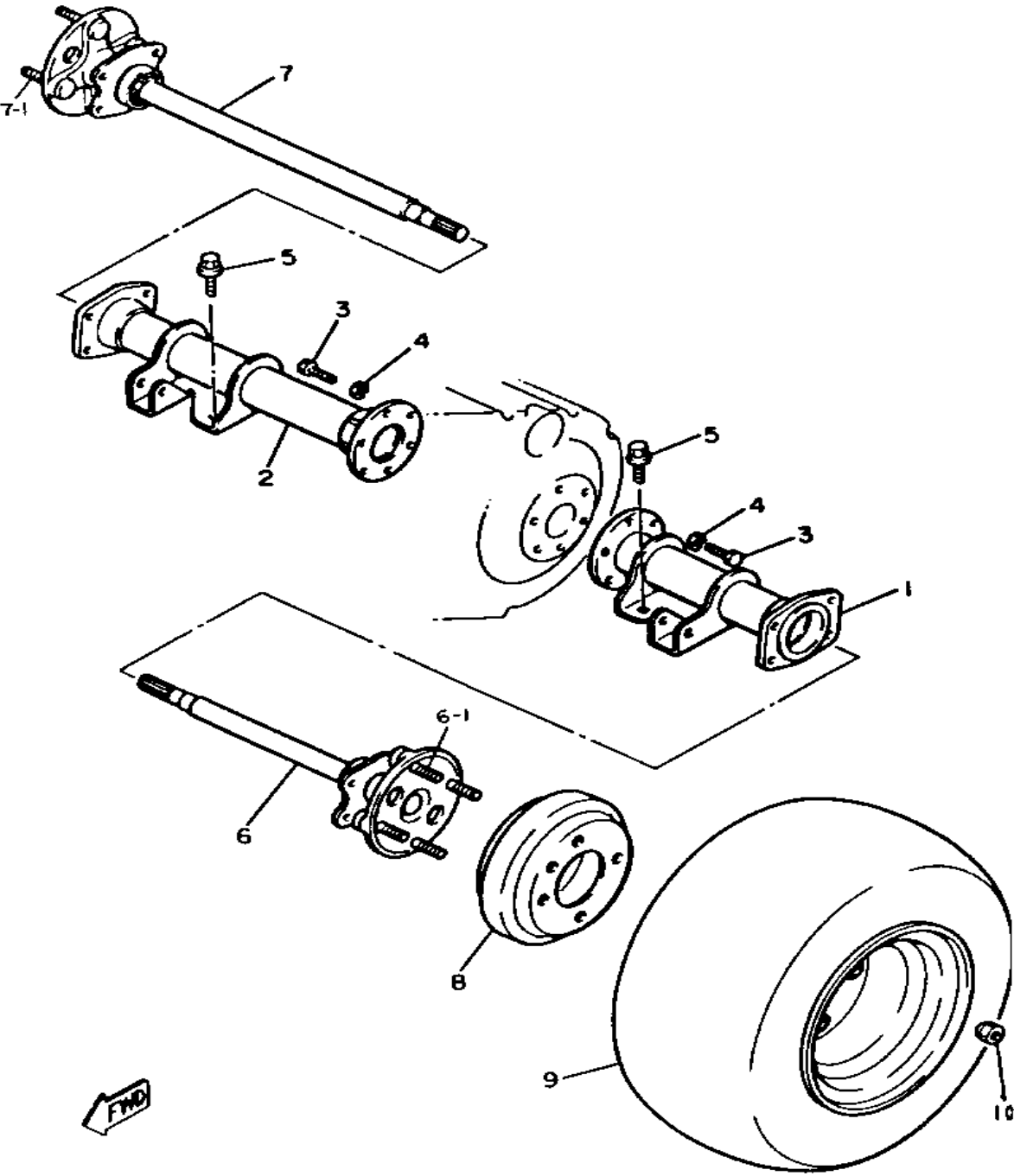
CONTINUED ON NEXT FRAME ➤

TRANSMISSION 1



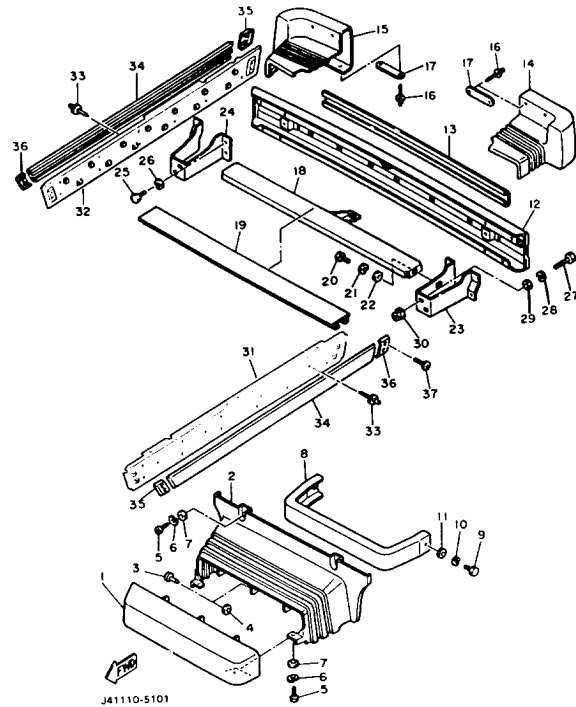
Ref. No.	Part Number	Description	Qty	Remarks
30	90201-20272-00	WASHER, PLATE	1	
31	J38-46411-01-00	CASE, DIFFERENTIAL	1	
32	J41-46421-00-00	GEAR, RING	1	
33	J38-46414-00-00	GEAR, DIFFERENTIAL SIDE ..	2	
34	J38-46415-00-00	PINION, DIFFERENTIAL	2	
35	J38-46417-02-00	PIN, DIFFERENTIAL	2	
36	90105-08390-00	BOLT, WASHER BASED	4	
37	91812-16001-00	PIN, DOWEL	2	
38	91609-40040-00	PIN, SPRING	1	

REAR AXLE - WHEEL



Ref. No.	Part Number	Description	Qty	Remarks
1	J41-46540-01-00	REAR AXLE HOUSING COMP.	1	
2	J41-46550-01-00	REAR AXLE HOUSING COMP. 2	1	
3	97312-08025-00	BOLT (97012-08025)	12	
4	92990-08100-00	WASHER	12	
5	95811-10020-00	BOLT, FLANGE (95822-10020-00)	8	
6	J41-46510-00-00	REAR AXLE SHAFT COMP.	1	
7	J41-46520-00-00	REAR AXLE SHAFT COMP. 2	1	
8	J55-G6521-00-00	DRUM	2	
9	J55-F5100-00-00	FRONT WHEEL ASSEMBLY	2	
10	90179-12262-00	NUT	8	
6-1	90114-12004-00	. BOLT, RIBBED NECK	4	
7-1	90114-12004-00	. BOLT, RIBBED NECK	4	

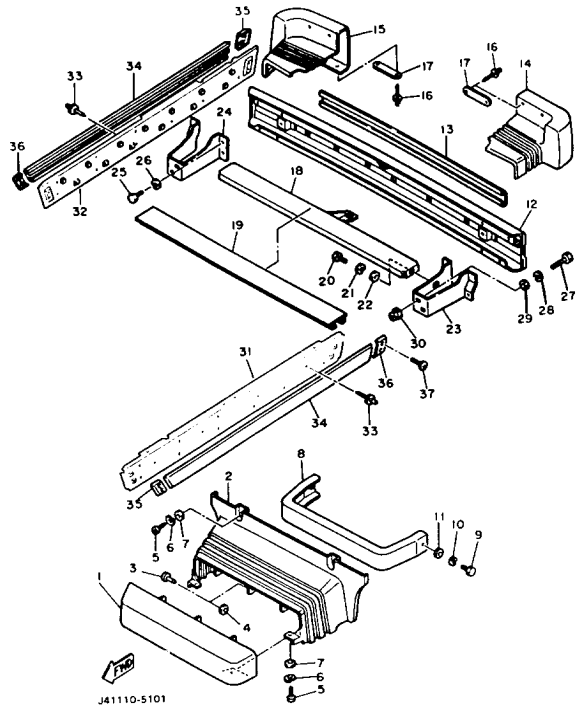
BUMPER



Ref. No.	Part Number	Description	Qty	Remarks
1	J55-K8162-00-00	PAD, FRONT BUMPER	1	
2	J55-K8163-00-00	COVER, BUMPER	1	
3	90269-06028-00	RIVET	3	
4	90201-076J4-00	WASHER, PLATE	3	
5	98506-05020-00	SCREW, PAN HEAD	4	
6	92906-05100-00	WASHER, SPRING	4	
7	90201-05033-00	WASHER, PLATE	4	
8	J55-K7511-00-00	BUMPER, FRONT 1	1	
9	97022-08016-00	BOLT	2	
10	92990-08100-00	WASHER	2	
11	92990-08600-00	WASHER, PLATE	2	
12	JG5-K8107-00-00	BUMPER SUB-ASSEMBLY, REAR	1	
13	J55-K8172-00-00	PAD, REAR BUMPER (J38-78172-00)	1	
14	J55-K8167-00-00	BUMPER, RUBBER 1	1	
15	J55-K8168-00-00	BUMPER, RUBBER 2	1	
16	90267-40077-00	RIVET, BLIND	8	
17	J17-77525-00-00	WASHER 1	4	
18	J38-78179-01-00	PLATE, EXTENSION	1	
19	J55-K8178-00-00	COVER, EXTENSION PLATE (J38-78178-00)	1	
20	97016-08016-00	BOLT	3	
21	92906-08100-00	WASHER, SPRING	3	
22	92906-08600-00	WASHER	3	
23	J55-K8174-00-00	STAY, REAR BUMPER (J38-78174-01)	1	
24	J55-K8175-00-00	STAY, REAR BUMPER 2 (J38-78175-01)	1	
25	97016-08016-00	BOLT	6	

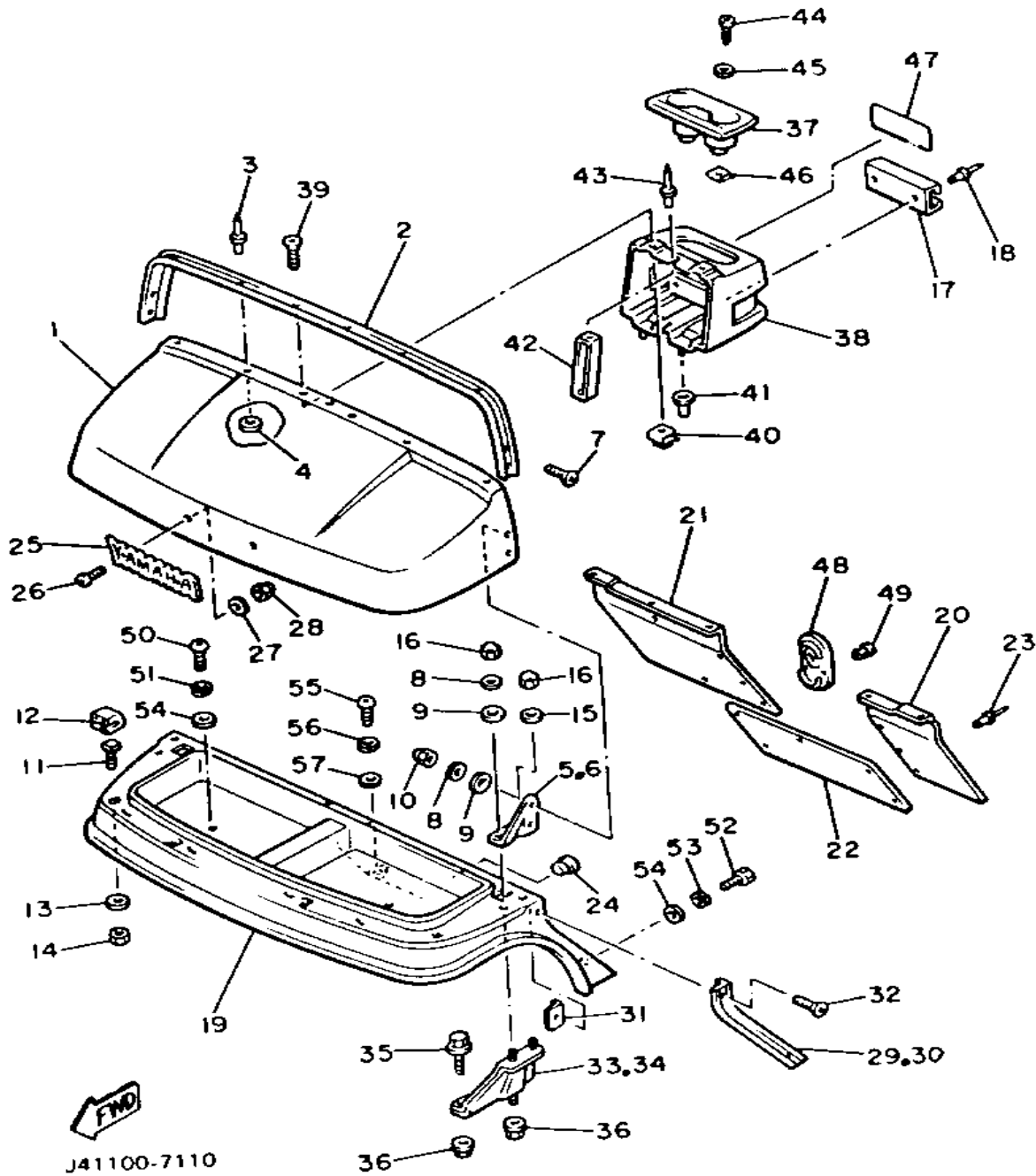
CONTINUED ON NEXT FRAME ►

BUMPER



Ref. No.	Part Number	Description	Qty	Remarks
26	92906-08100-00	WASHER, SPRING	6	
27	97026-08050-00	BOLT	4	
28	92906-08100-00	WASHER, SPRING	4	
29	92906-08600-00	WASHER	4	
30	95706-08500-00	NUT, flange	4	
31	J55-WK811-00-00	PLATE, SIDE SILL KIT (L.H) (J55-K8183-00)	1	
32	J55-WK812-00-00	PLATE, SIDE SILL KIT (R.H) (J55-K8184-00)	1	
33	90267-48139-00	RIVET, BLIND	18	
34	J55-K818A-00-00	PROTECTOR, SIDE PLT	2	
35	J38-7818E-00-00	CAP, PROTECT.END 1	2	
36	J38-7818F-00-00	CAP, PROTECT.END 2	2	
37	98606-06014-00	SCREW, OVAL HEAD (92606-06014)	8	

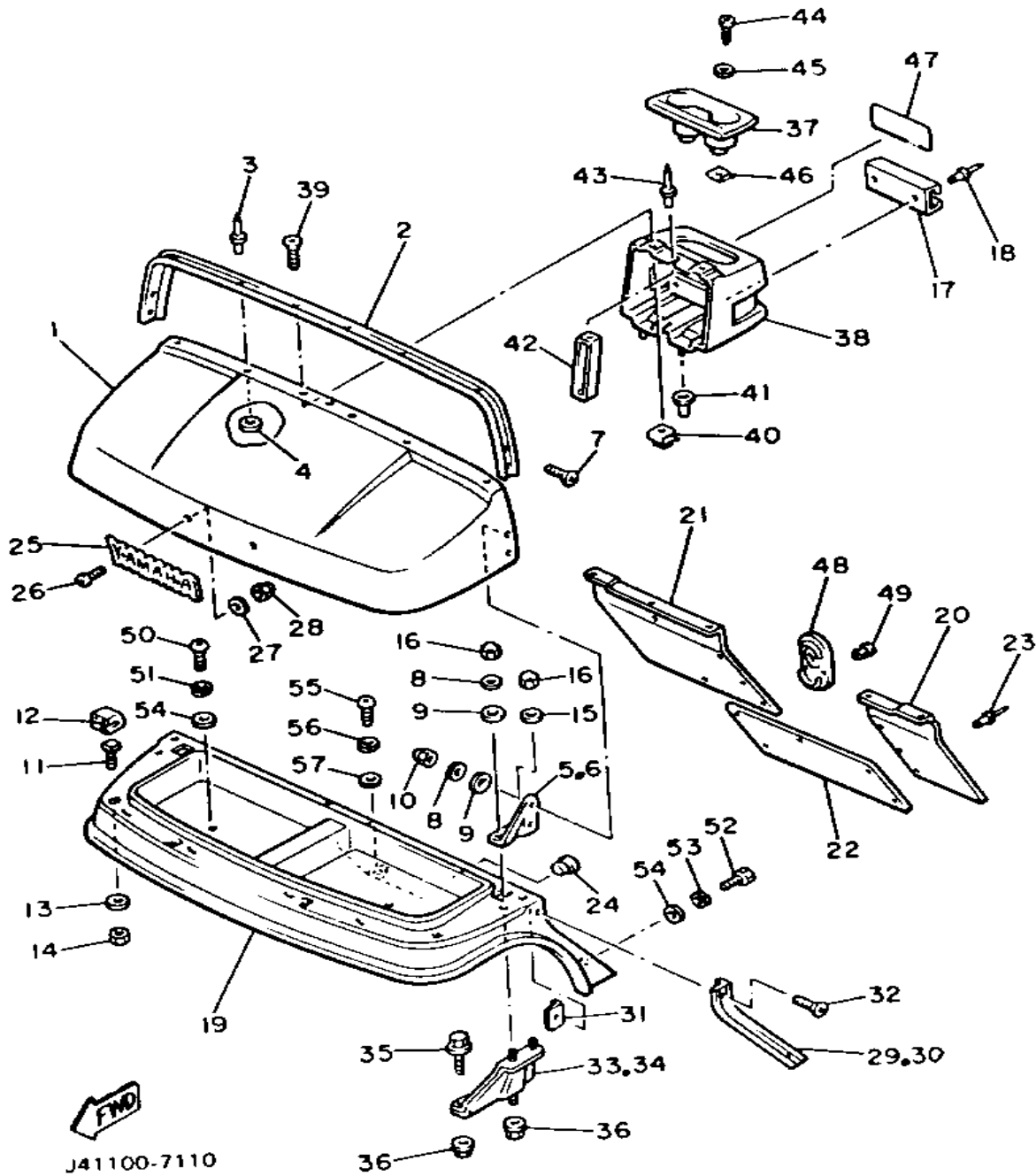
BODY



Ref. No.	Part Number	Description	Qty	Remarks
1	J55-K8116-00-00	COWL, FRONT UPPER	1	
2	J38-7811A-01-00	TRIM, UPPER COWL	1	
3	90267-48051-00	RIVET, BLIND	4	
4	90201-046J3-00	WASHER, PLATE	4	
5	J55-K811E-00-00	STAY, UPPER COWL (L.H) (J38-7811E-01)	1	
6	J55-K811F-00-00	STAY, UPPER COWL (R.H) (J38-7811F-01)	1	
7	90151-06039-00	SCREW, COUNTERSUNK	4	
8	92990-06200-00	WASHER	6	
9	90202-06172-00	WASHER, PLATE	6	
10	95380-06800-00	NUT	4	
11	J38-7811G-00-00	BOLT, COWL FITTING	4	
12	J38-7811H-00-00	RETAINER, COWL FITTING	4	
13	90201-065F3-00	WASHER, PLATE	4	
14	95601-06100-00	NUT, U	4	
15	90201-062G3-00	WASHER, PLATE	2	
16	95380-06800-00	NUT	4	
17	J55-K835A-00-00	HOLDER, BALL	1	
18	90267-63047-00	RIVET, BLIND	2	
19	J55-K8115-01-00	COWL, FRONT (J38-78115-02)	1	
20	J55-K8231-00-00	MAT, MAIN FLOOR 1 (J38-78231-01)	1	
21	J55-K8232-00-00	MAT, MAIN FLOOR 2 (J38-78232-01)	1	
22	J55-K8236-00-00	MAT, PEDAL FLOOR (J38-78236-01)	1	
23	90267-63047-00	RIVET, BLIND	16	
24	J41-78274-01-00	COVER, HOLE 2	1	
25	J38-24161-00-00	EMBLEM 1	1	

CONTINUED ON NEXT FRAME ►

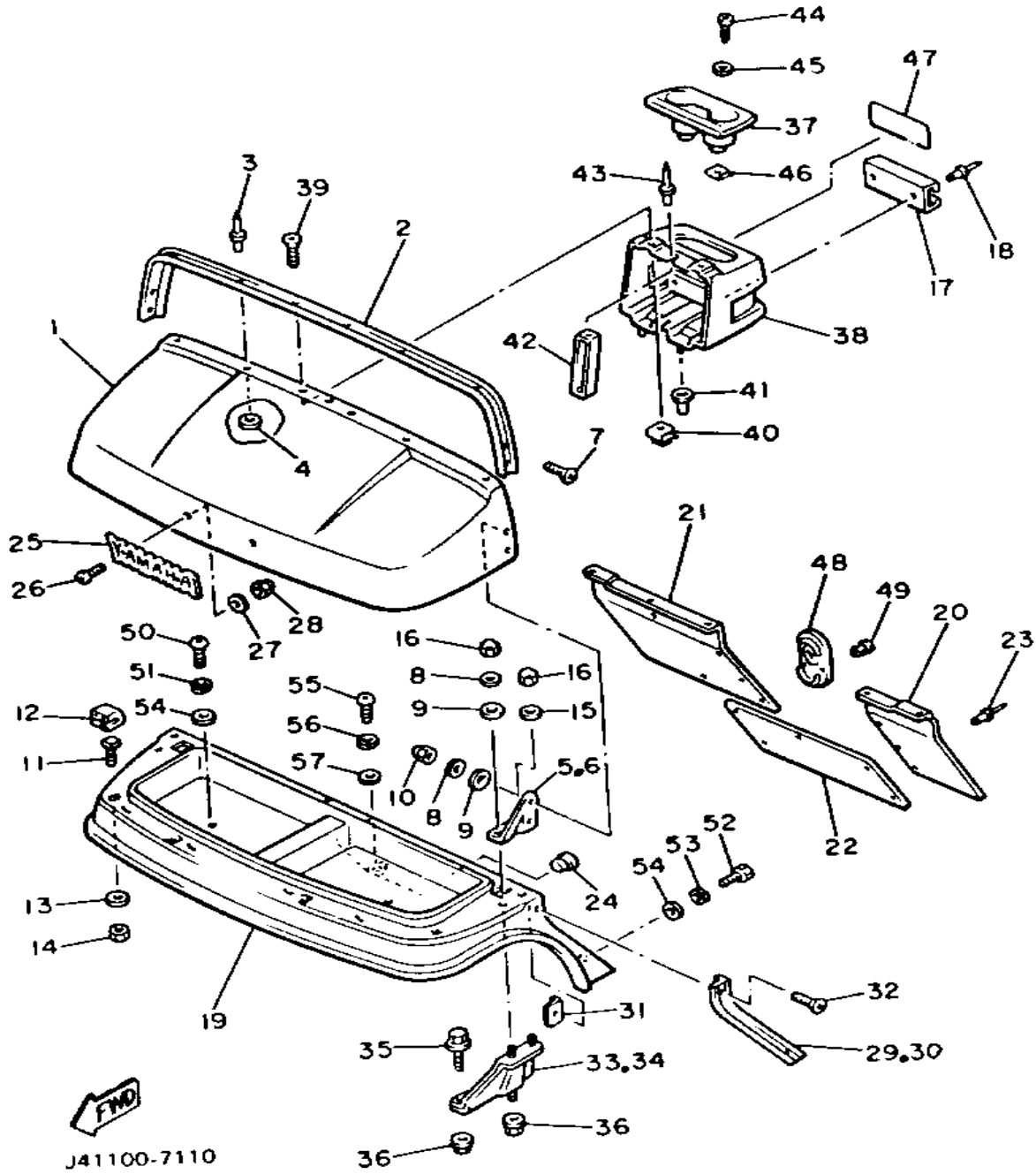
BODY



Ref. No.	Part Number	Description	Qty	Remarks
26	90152-04015-00	SCREW, COUNTERSUNK	2	
27	92906-04200-00	WASHER, PLAIN	2	
28	95606-04100-00	NUT, U	2	
29	J38-7811L-00-00	TRIM, COWL SIDE (L.H)	1	
30	J38-7811M-00-00	TRIM, COWL SIDE (R.H)	1	
31	J38-7811K-00-00	NUT, TRIM FITTING	4	
32	90151-06039-00	SCREW, COUNTERSUNK	4	
33	J38-7812E-01-00	SUPPORT, UPPER COWL (L.H)	1	
34	J38-7812F-01-00	SUPPORT, UPPER COWL (R.H)	1	
35	95811-08016-00	BOLT, FLANGE	2	
36	95701-08500-00	NUT, FLANGE	4	
37	J55-K835E-00-00	HOLDER, BEVERAGE (J38-7835E-03)	1	
38	J55-K835G-00-00	HOUSING, HOLDER (J38-7835G-01)	1	
39	90151-06040-00	SCREW, COUNTERSUNK	2	
40	J38-78145-00-00	NUT, REAR BODY MOUNTING	2	
41	90480-12355-00	GROMMET	2	
42	J38-7834A-00-00	REINF., HOLDER	1	
43	90267-48086-00	RIVET, BLIND	2	
44	97780-50125-00	SCREW, TAPPING	2	
45	90201-05556-00	WASHER, PLATE	2	
46	90183-05001-00	NUT, SPRING	2	
47	J55-77768-10-00	LABEL, WARNING (J38-77768-10)	1	
48	J38-78273-00-00	COVER, HOLE	1	
49	90269-11042-00	RIVET	2	
50	92580-06020-00	SCREW, PAN HEAD	2	
51	92995-06100-00	WASHER, SPRING	2	
52	97395-06020-00	BOLT, HEXAGON	2	

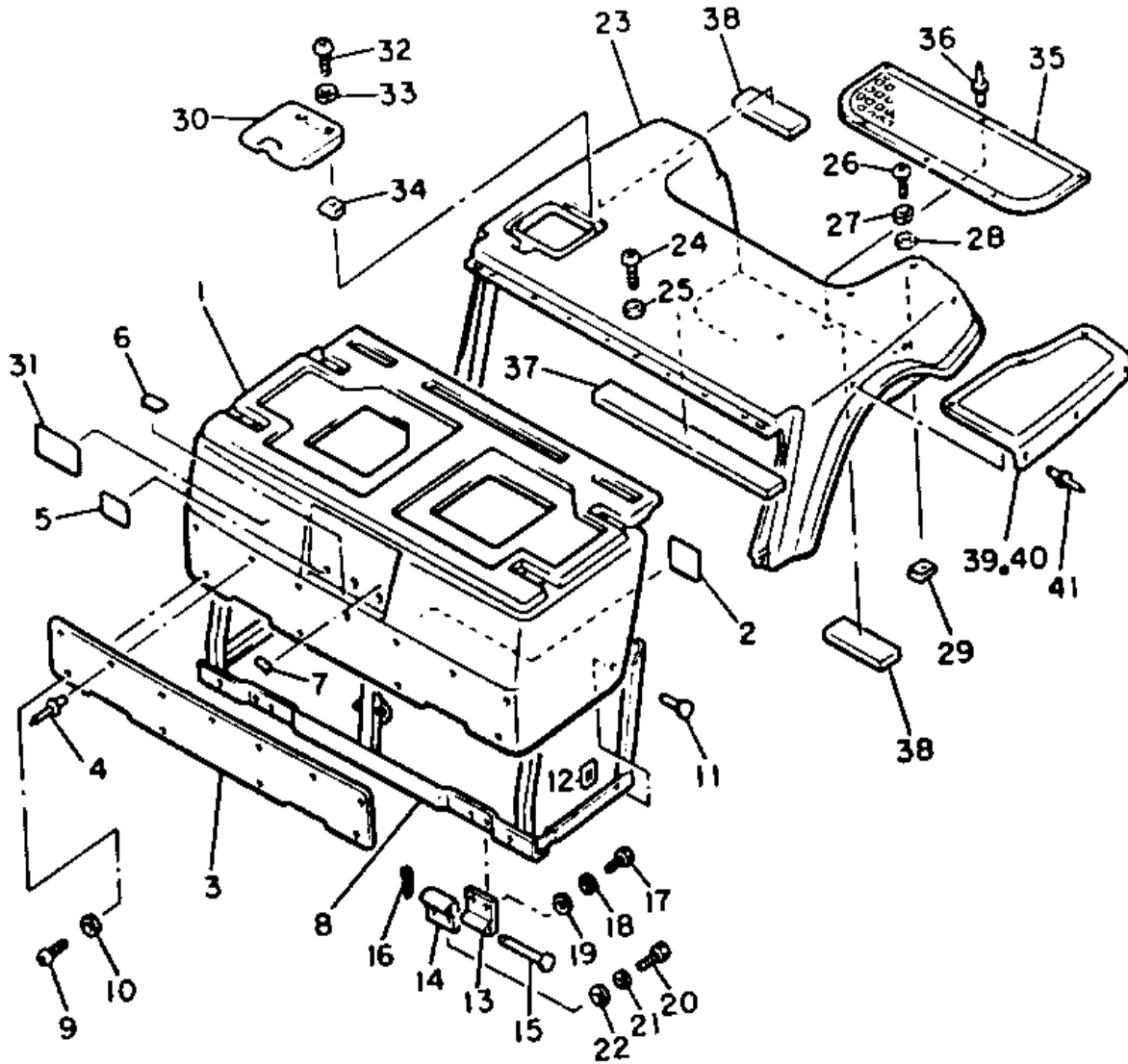
CONTINUED ON NEXT FRAME ►

BODY



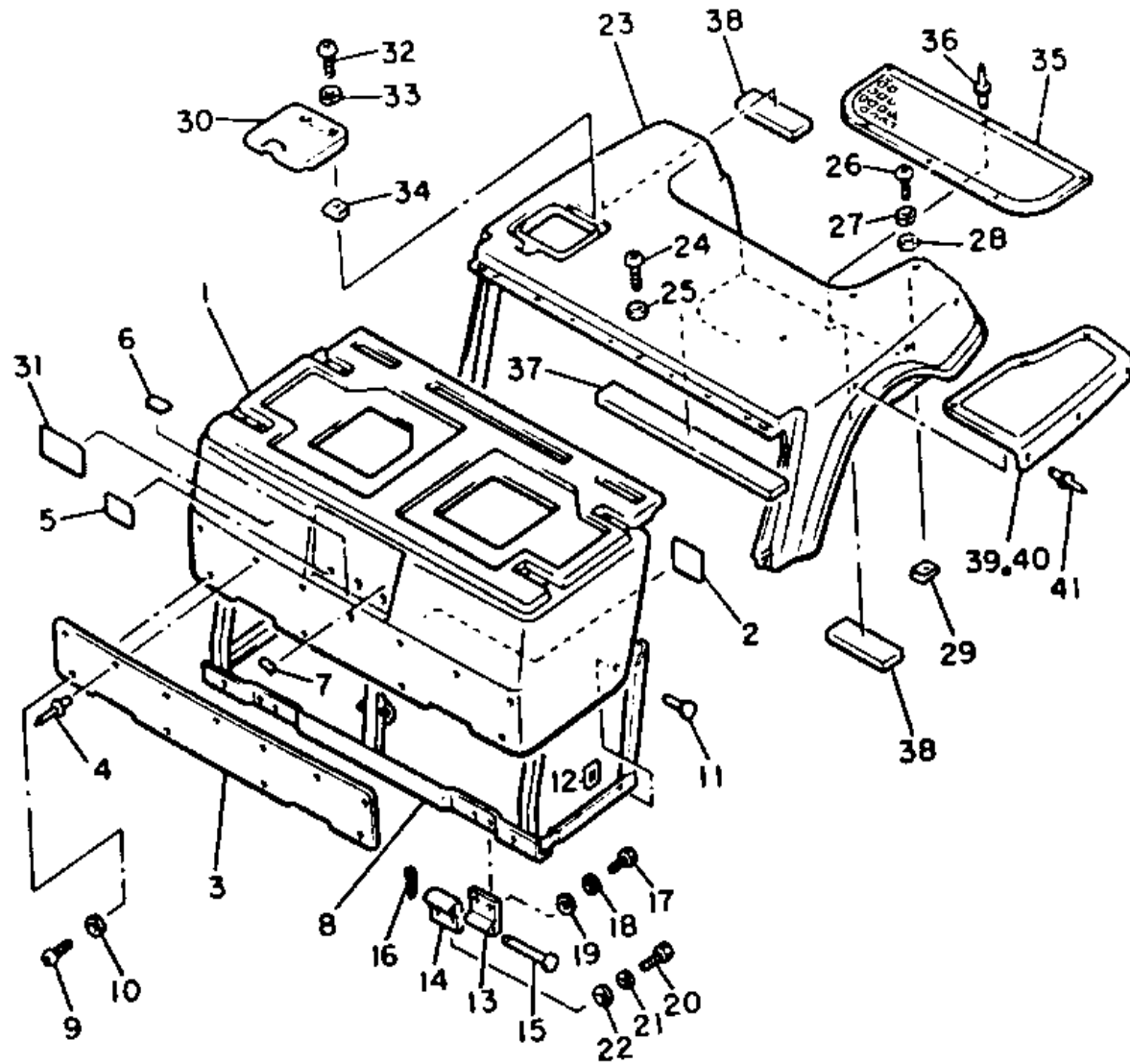
Ref. No.	Part Number	Description	Qty	Remarks
53	92995-06100-00	WASHER, SPRING	2	
54	90201-06697-00	WASHER, PLATE	4	
55	92580-06020-00	SCREW, PAN HEAD	1	
56	92995-06100-00	WASHER, SPRING	1	
57	90201-06049-00	WASHER, PLATE	1	

BODY 2



Ref. No.	Part Number	Description	Qty	Remarks
1	(90891-60023-00)	MID BODY ASSEMBLY	1	
2	J22-77765-00-00	LABEL, WARNING 5	1	
3	J38-7814N-00-00	PLATE, ORNAMENT	1	
4	90267-40131-00	RIVET, BLIND	7	
5	J41-77458-10-00	LABEL, WARNING (J41-77458-00-00)	1	
6	J38-77741-10-00	INDICATOR 1	1	
7	J38-77742-00-00	INDICATOR 2	1	
8	J56-K8121-00-00	REINFORCEMENT 1 (J41-78121-01)	1	
9	98980-06016-00	SCREW, BINDING	4	
10	90201-06697-00	WASHER, PLATE	4	
11	90338-06169-00	PLUG	2	
12	90183-06011-00	NUT, SPRING	2	
13	J55-K8143-00-00	HINGE, INTERMEDIATE BODY 1	2	
14	J55-K8144-00-00	HINGE, INTERMEDIATE BODY 2	2	
15	91790-06125-00	PIN, CLEVIS	2	
16	91490-20015-00	PIN, COTTER	2	
17	97003-06012-00	BOLT (97001-06012)	4	
18	92995-06100-00	WASHER, SPRING	4	
19	92990-06600-00	WASHER, PLATE	4	
20	97011-06020-00	BOLT	4	
21	92995-06100-00	WASHER, SPRING	4	
22	92990-06600-00	WASHER, PLATE	4	
23	90891-60024-00	PANEL, REAR BODY (J38-78142-01)	1	
24	98902-06025-00	SCREW, BIND	3	
25	90201-06M08-00	WASHER, PLATE	3	

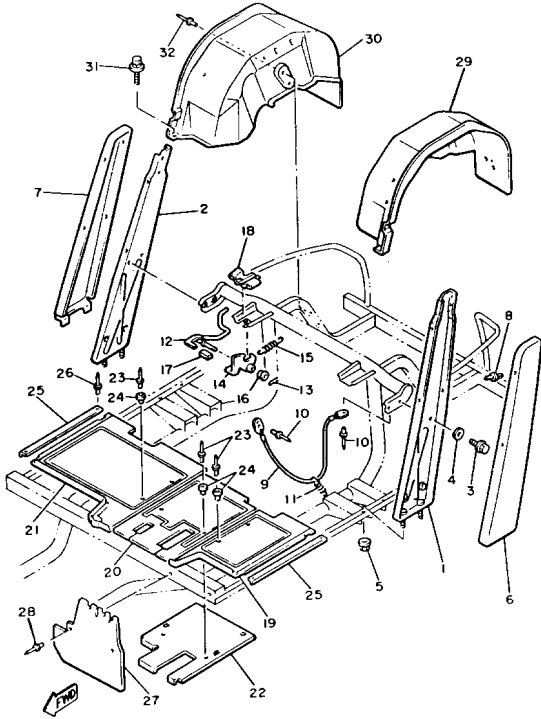
CONTINUED ON NEXT FRAME ►



BODY 2

Ref. No.	Part Number	Description	Qty	Remarks
26	98580-06020-00	SCREW	2	
27	92995-06100-00	WASHER, SPRING	2	
28	90201-065F3-00	WASHER, PLATE	2	
29	90183-06028-00	NUT, SPRING	2	
30	J55-K8272-00-00	COVER, FUEL INLET	1	
31	J51-77764-00-00	LABEL, WARNING 4	1	
32	98511-04012-00	SCREW, PAN HEAD	2	
33	92901-04100-00	WASHER, SPRING	2	
34	J38-78276-00-00	NUT, INLET FITTING	2	
35	J55-K8241-00-00	MAT, REAR FLOOR (J38-78241-00)	1	
36	90267-63047-00	RIVET, BLIND	6	
37	J38-7821A-00-00	PAD, BODY MOUNTING 1	1	
38	J38-7821E-00-00	PAD, BODY MOUNTING 2	2	
39	J55-K8243-00-00	MAT, REAR BODY SIDE (LH)	1	
40	J55-K8244-00-00	MAT, REAR BODY SIDE (RH)	1	
41	90267-63047-00	RIVET, BLIND	12	

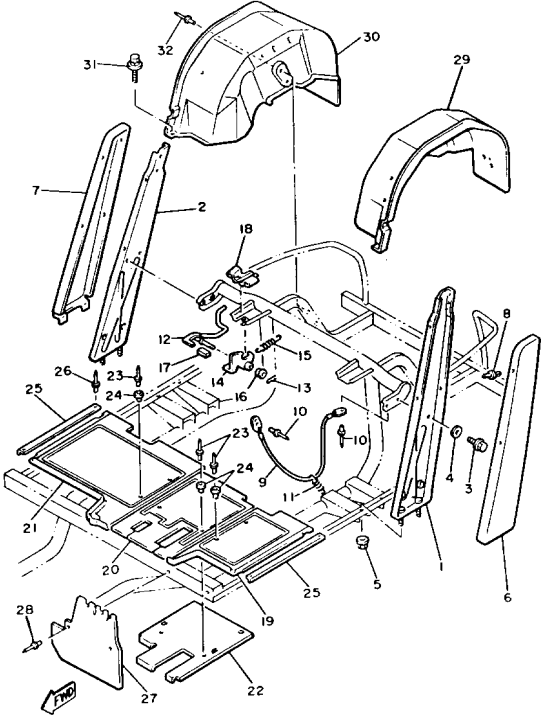
BODY FITTING



Ref. No.	Part Number	Description	Qty	Remarks
1	J55-K813A-00-00	PILLAR, SIDE (L.H) (J38-7813A-01)	1	
2	J55-K813F-00-00	COVER, SIDE PILLAR (L.H)	1	
3	95811-08016-00	BOLT, FLANGE	4	
4	90201-08730-00	WASHER, PLATE	4	
5	95701-06500-00	NUT, FLANGE	4	
6	J55-K813F-00-00	COVER, SIDE PILLAR (L.H)	1	
7	J55-K813G-00-00	COVER, SIDE PILLAR (R.H)	1	
8	90267-63134-00	RIVET, BLIND	8	
9	J38-78229-00-00	WIRE, SEAT STOPPER	1	
10	90267-40087-00	RIVET, BLIND	2	
11	90507-08037-00	SPRING, TENSION	1	
12	J38-7814G-01-00	LEVER, BODY LOCK	1	
13	90468-18008-00	CLIP	1	
14	J38-7814H-01-00	HOOK, BODY LOCK	1	
15	90506-18374-00	SPRING, TENSION	1	
16	J38-7814L-01-00	BUSH, LEVER END	2	
17	J38-7815H-00-00	DAMPER, LOCK	1	
18	J38-78221-00-00	SHEET, BODY MOUNTING 1	2	
19	J38-78203-00-00	FLOOR MAT COMP. 3	1	
20	J55-K8234-00-00	MAT, MAIN FLOOR 4	1	
21	J38-78205-00-00	FLOOR MAT COMP. 5	1	
22	J55-K8271-00-00	SERVICE LID, PEDAL	1	
23	90267-48086-00	RIVET, BLIND	6	
24	90387-081R2-00	COLLAR	6	
25	J38-78215-00-00	PLATE, SIDE TRIM	2	
26	90267-40115-00	RIVET, BLIND	4	
27	J55-K8187-00-00	FLAP, FRONT FENDER (J38-78187-01)	2	

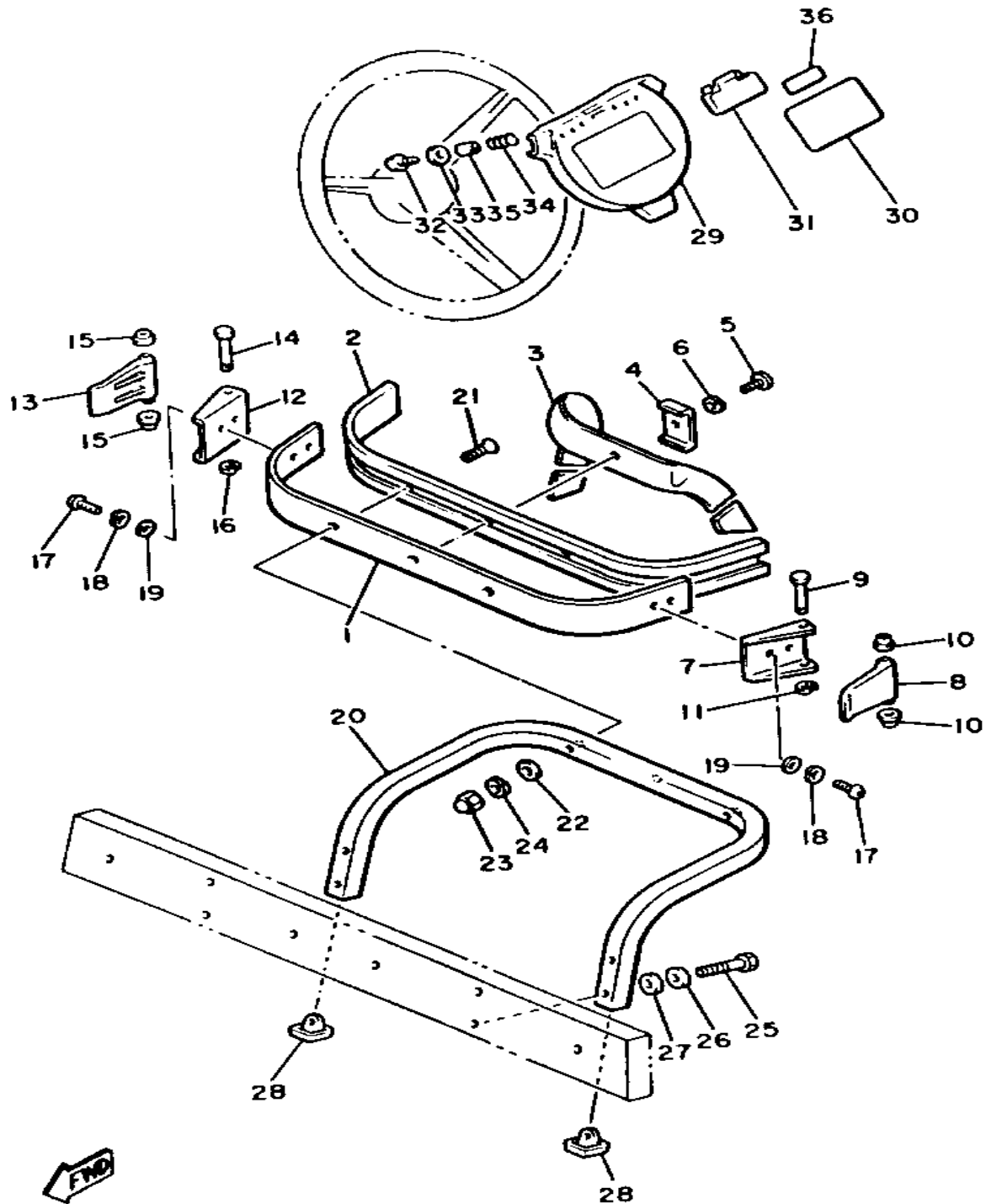
CONTINUED ON NEXT FRAME ►

BODY FITTING



Ref. No.	Part Number	Description	Qty	Remarks
28	90267-48101-00	RIVET, BLIND	4	
29	J56-K8191-00-00	PANEL, REAR FENDER 1 (J41-78191-01)	1	
30	J55-K8192-00-00	PANEL, REAR FENDER 2	1	
31	90119-06108-00	BOLT, WITH WASHER	2	
32	90267-48101-00	RIVET, BLIND	6	

CARRIER

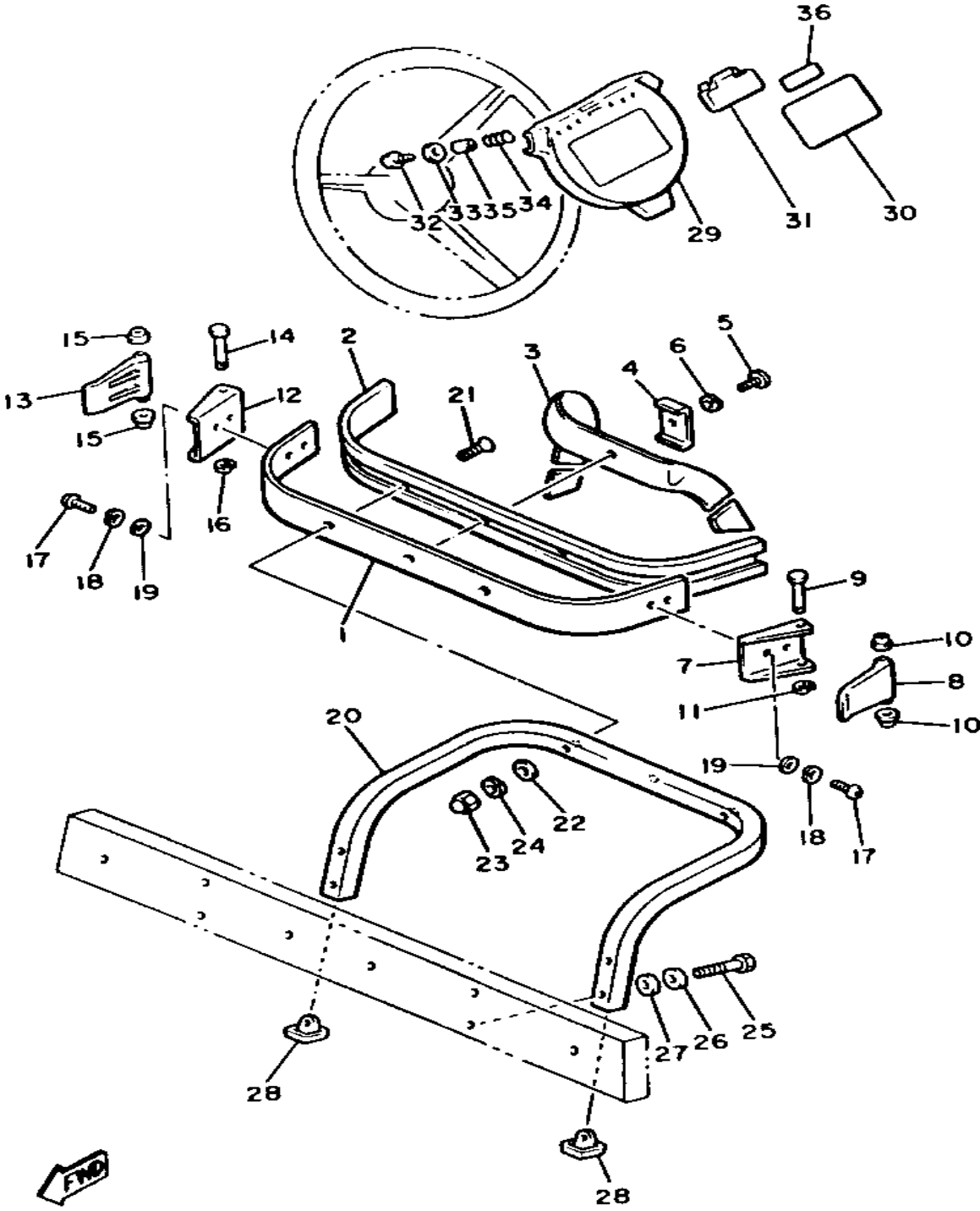


FWD
13R100-6270

Ref. No.	Part Number	Description	Qty	Remarks
1	J55-K8351-00-00	SUPPORT, BAG UPPER (J38-78351-00)	1	
2	J38-78356-00-00	PAD, BAG SUPPORT	1	
3	J38-78355-00-00	BAND	1	
4	J38-78367-00-00	PLATE, ANCHOR	1	
5	98980-06016-00	SCREW, BINDING	1	
6	92995-06100-00	WASHER, SPRING	1	
7	J17-78157-00-00	BASE, LOCK	1	
8	J17-78368-00-00	LEVER, LOCK	1	
9	J17-78369-00-00	PIN, LEVER	1	
10	90386-06108-00	BUSH	2	
11	99080-05600-00	CIRCLIP	1	
12	J17-78157-01-00	BASE, LOCK	1	
13	J17-78368-01-00	LEVER, LOCK	1	
14	J17-78369-00-00	PIN, LEVER	1	
15	90386-06108-00	BUSH	2	
16	99080-05600-00	CIRCLIP	1	
17	98580-06010-00	SCREW, PAN HEAD (92503-06010)	4	
18	92995-06100-00	WASHER, SPRING	4	
19	92990-06200-00	WASHER	4	
20	J55-K8352-00-00	SUPPORT, BAG LOWER 1 (J38-78352-01)	1	
21	98701-08040-00	SCREW, FLAT HEAD (92701-08040)	2	
22	90202-08022-00	WASHER, PLATE	2	
23	95380-08800-00	NUT, CROWN	2	
24	92990-08100-00	WASHER	2	
25	90101-08649-00	BOLT	4	
26	90202-08022-00	WASHER, PLATE	4	

CONTINUED ON NEXT FRAME ►

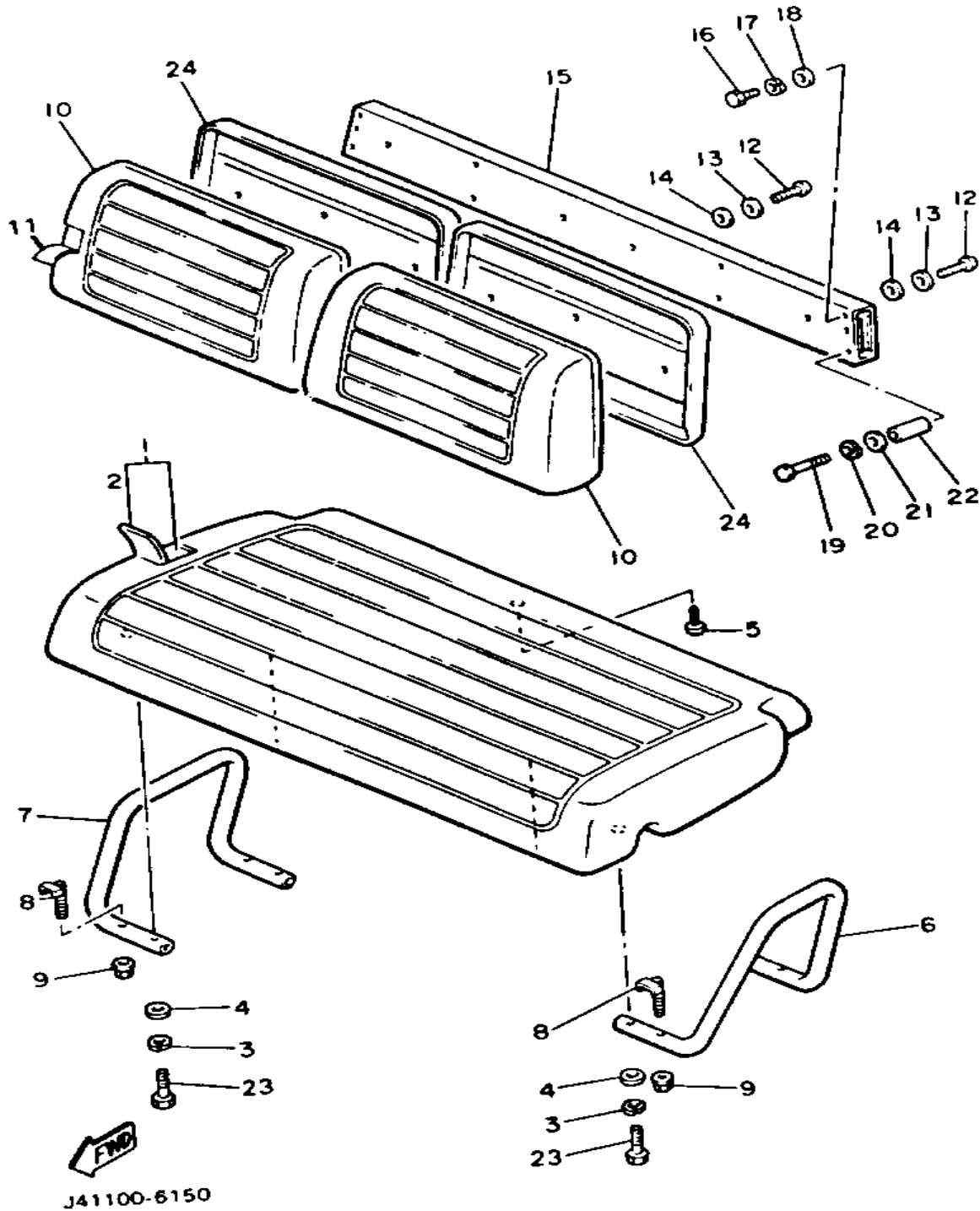
CARRIER



Ref. No.	Part Number	Description	Qty	Remarks
27	90202-08171-00	WASHER, PLATE	6	
28	J38-7835H-00-00	CAP, BAG SUPPORT LOWER .	2	
29	J55-K8357-00-00	HOLDER 1	1	
30	J55-77762-10-00	LABEL, WARNING 2 (J38-77762-01)	1	
31	J55-K8358-00-00	HOLDER 2	1	
32	97706-40525-00	SCREW, TAPPING	2	
33	90201-044H9-00	WASHER, PLAIN	2	
34	90502-10013-00	SPRING, CONICAL	2	
35	90387-046N7-00	COLLAR	2	
36	J51-77763-00-00	LABEL, WARNING 3	1	

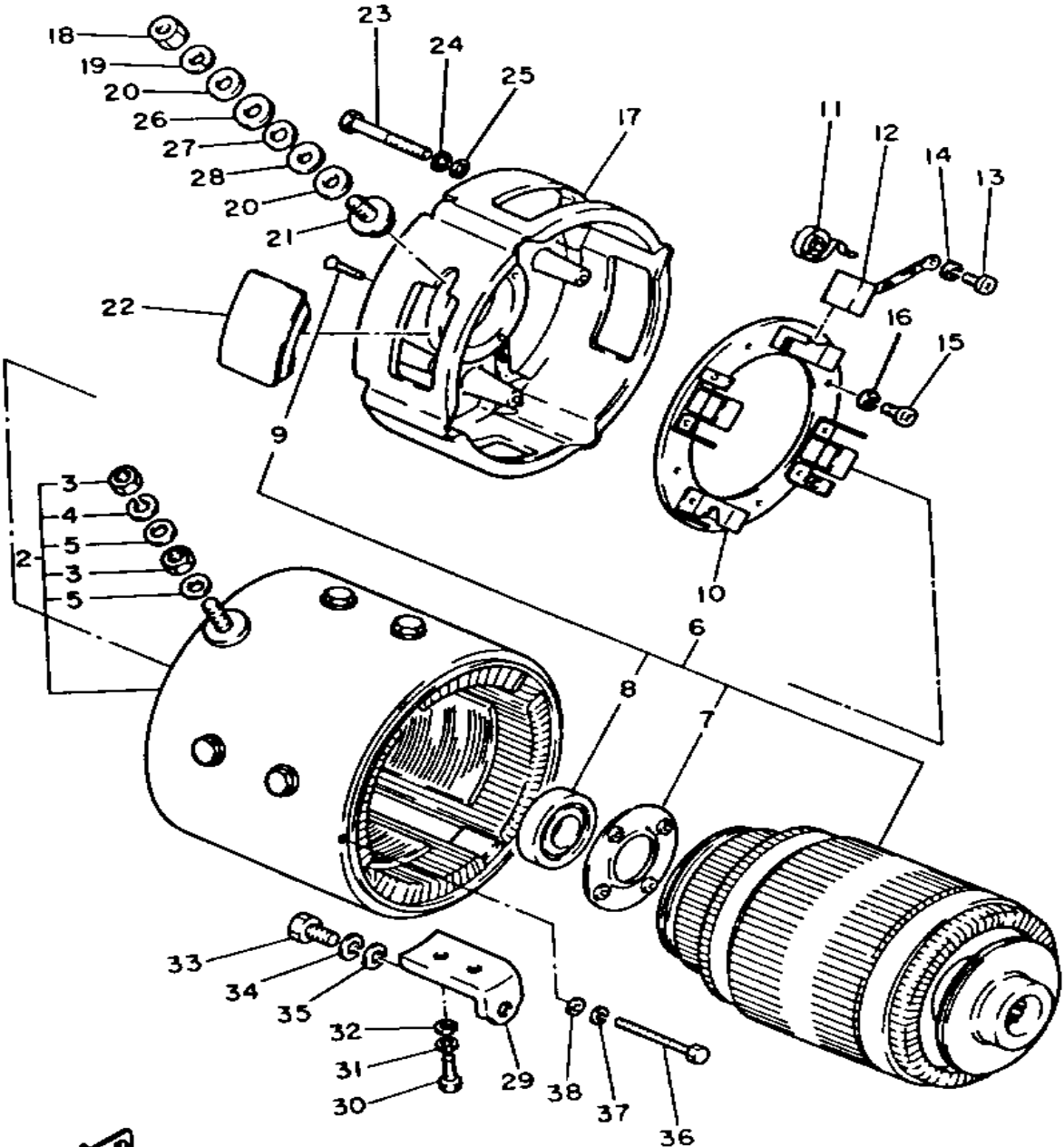
FWD
13R100-6270

SEAT



Ref. No.	Part Number	Description	Qty	Remarks
1	J55-K8401-00-00	SEAT SUB ASS'Y CUSHION (J38-78401-02)	1	
2	J55-K8404-09-00	. SEAT COVER	1	
3	92990-08100-00	WASHER	4	
4	92990-08600-00	WASHER, PLATE	4	
5	97780-50116-00	SCREW, TAPPING (97780-50516)	1	
6	J38-78361-00-00	ARM REST 1	1	
7	J38-78362-00-00	ARM REST 2	1	
8	J38-78384-00-00	BOLT	4	
9	95601-08200-00	NUT, U	4	
10	J55-K8402-00-00	SEAT SUB ASS'Y, BACK (J38-78402-01)	2	
11	J55-K841G-09-00	. COVER, SEAT BACK 2	2	
12	98980-06045-00	SCREW, BIND	4	
13	90201-065F3-00	WASHER, PLATE	4	
14	90202-06170-00	WASHER, PLATE	4	
15	J55-K8423-09-00	SUPPORT, SEAT BACK (J55-K8423-00)	1	
16	97022-08016-00	BOLT	2	
17	92990-08100-00	WASHER	2	
18	92990-08600-00	WASHER, PLATE	2	
19	97013-08075-00	BOLT	2	
20	92990-08100-00	WASHER	2	
21	92990-08600-00	WASHER, PLATE	2	
22	90387-103G9-00	COLLAR	2	
23	97021-08065-00	BOLT	4	
24	J55-K8413-00-00	COVER, SEAT BACK	2	

STARTING MOTOR

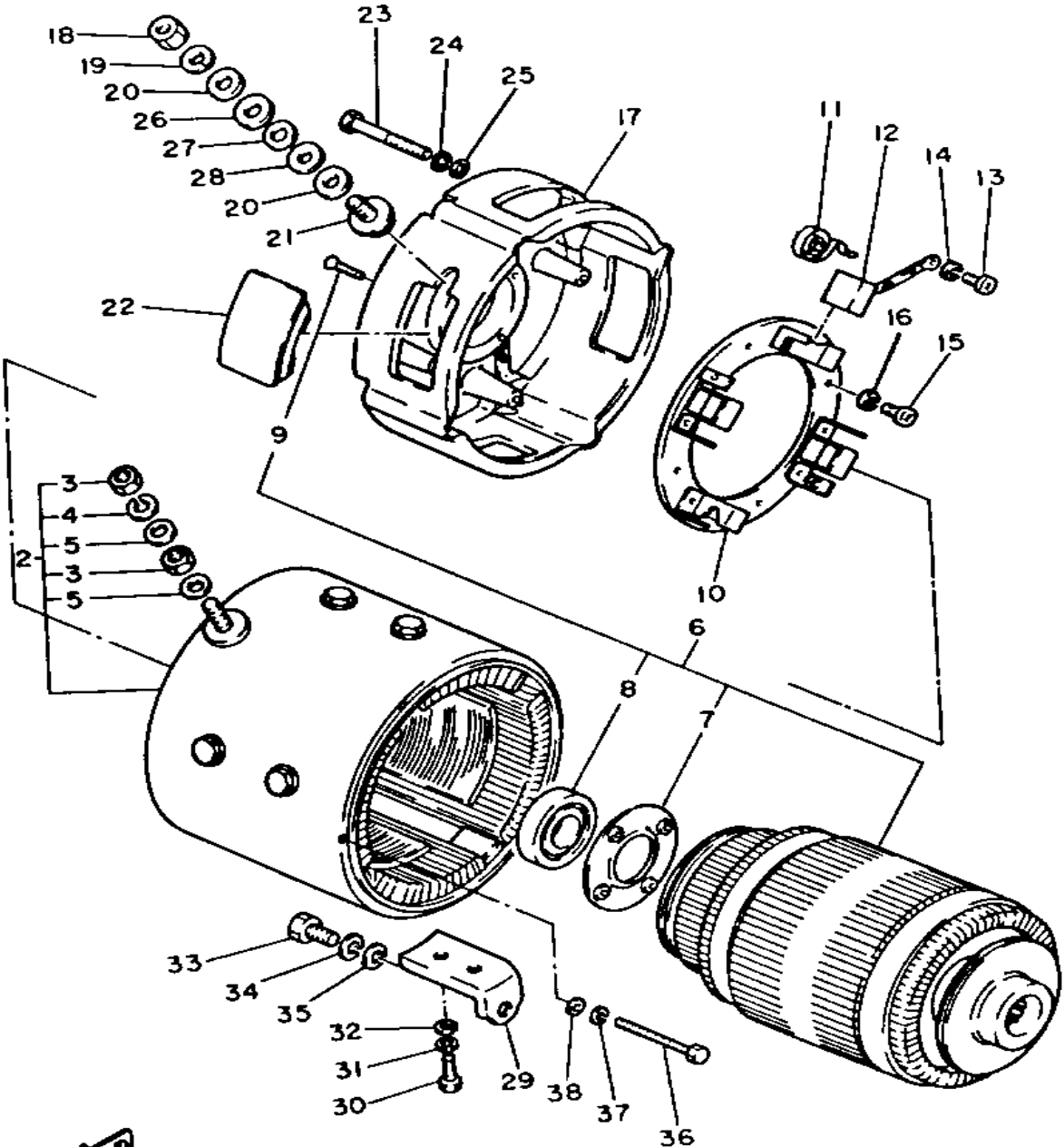


J36100-4150

Ref. No.	Part Number	Description	Qty	Remarks
1	JG6-H1890-00-00	MOTOR ASSEMBLY	1	
2	J14-81810-10-00	STATOR ASS'Y	1	
3	95303-08600-00	NUT	4	
4	92990-08100-00	WASHER	2	
5	92990-08200-00	WASHER, PLAIN	4	
6	J14-81850-10-00	ARMATURE ASS'Y	1	
7	J14-81856-10-00	RETAINER	1	
8	J14-81857-10-00	BEARING	1	
9	98701-05020-00	SCREW, FLAT HEAD	4	
10	J14-81840-10-00	BRUSH HOLDER ASS'Y	1	
11	J14-81813-10-00	SPRING, BRUSH	4	
12	J14-81811-10-00	BRUSH 1	4	
13	98501-05010-00	SCREW, PAN HEAD	4	
14	92990-05100-00	WASHER, SPRING	4	
15	98580-05016-00	SCREW, PAN HEAD	4	
16	92990-05100-00	WASHER, SPRING	4	
17	J14-81822-10-00	BRACKET, STARTING MOTOR	1	
18	95303-08600-00	NUT	2	
19	92990-08100-00	WASHER	2	
20	92990-08200-00	WASHER, PLAIN	2	
21	J14-81826-10-00	BOLT	2	
22	J14-81842-10-00	COVER	4	
23	J14-81828-10-00	BOLT 2	4	
24	92995-06100-00	WASHER, SPRING	4	
25	92990-06600-00	WASHER, PLATE	4	
26	J14-81843-00-00	WASHER 1	2	
27	J14-81845-00-00	PLATE	2	
28	J14-81824-00-00	WASHER 2	2	
29	J14-81823-01-00	STAY, STARTING MTR (J14-81823-00)	1	

CONTINUED ON NEXT FRAME ➤

STARTING MOTOR

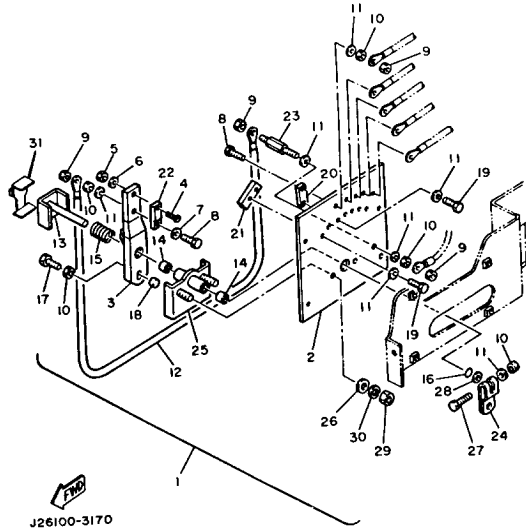


Ref. No.	Part Number	Description	Qty	Remarks
30	97011-06016-00	BOLT	2	
31	92995-06100-00	WASHER, SPRING	2	
32	92990-06600-00	WASHER, PLATE	2	
33	97022-08016-00	BOLT	1	
34	92990-08100-00	WASHER	1	
35	92990-08600-00	WASHER, PLATE	1	
36	97313-06055-00	BOLT, HEXAGON (97322-06055)	3	
37	92990-06100-00	WASHER, SPRING	3	
38	90201-06643-00	WASHER, PLATE	3	



J36100-4150

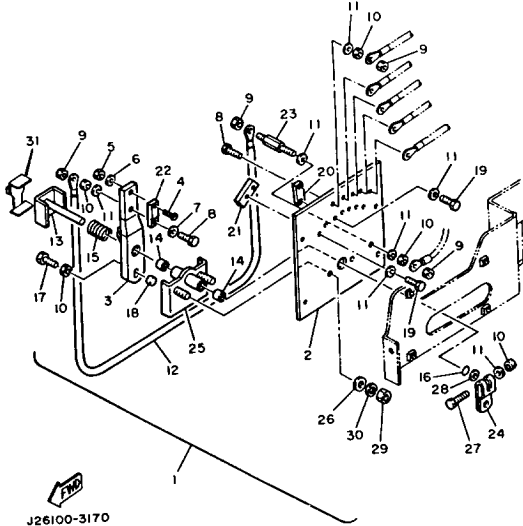
CONTROLLER 1



Ref. No.	Part Number	Description	Qty	Remarks
1	J46-86140-00-00	CONTROLLER ASS'Y (J22-86140-00)	1	
2	J46-86142-00-00	BASE, PLATE	1	
3	J22-86152-00-00	ARM, MOVING	1	
4	98701-04016-00	SCREW, FLAT HEAD (98702-04016)	1	
5	95301-04600-00	NUT	1	
6	92902-04300-00	WASHER, IN.TOOTH	1	
7	90201-063F3-00	WASHER, PLATE	1	
8	90101-06469-00	BOLT	7	
9	95320-06600-00	NUT	8	
10	95303-06700-00	NUT	9	
11	92990-06100-00	WASHER, SPRING	16	
12	J22-86157-00-00	WIRE, LEAD	1	
13	J14-86155-01-00	SHAFT, CONTROLLER	1	
14	90380-10010-00	BUSH, SOLID	2	
15	90501-16573-00	SPRING, COMPRESSION	1	
16	93210-10166-00	O-RING	1	
17	97023-06020-00	BOLT (3XF)	1	
18	90386-05111-00	BUSH, SPEC'L NYLON	1	
19	97003-06012-00	BOLT (97001-06012)	7	
20	J14-86162-00-00	CONTACT, STATE	5	
21	J14-82103-00-00	TERMINAL 1	1	
22	J14-86153-00-00	CONTACT, MOVING	1	
23	J22-82104-00-00	TERMINAL 2	1	
24	J14-86144-01-00	LEVER, CONTROLLER	1	
25	J14-86156-00-00	HOLDER, SHAFT	1	
26	92990-06600-00	WASHER, PLATE	2	
27	97021-06030-00	BOLT	1	

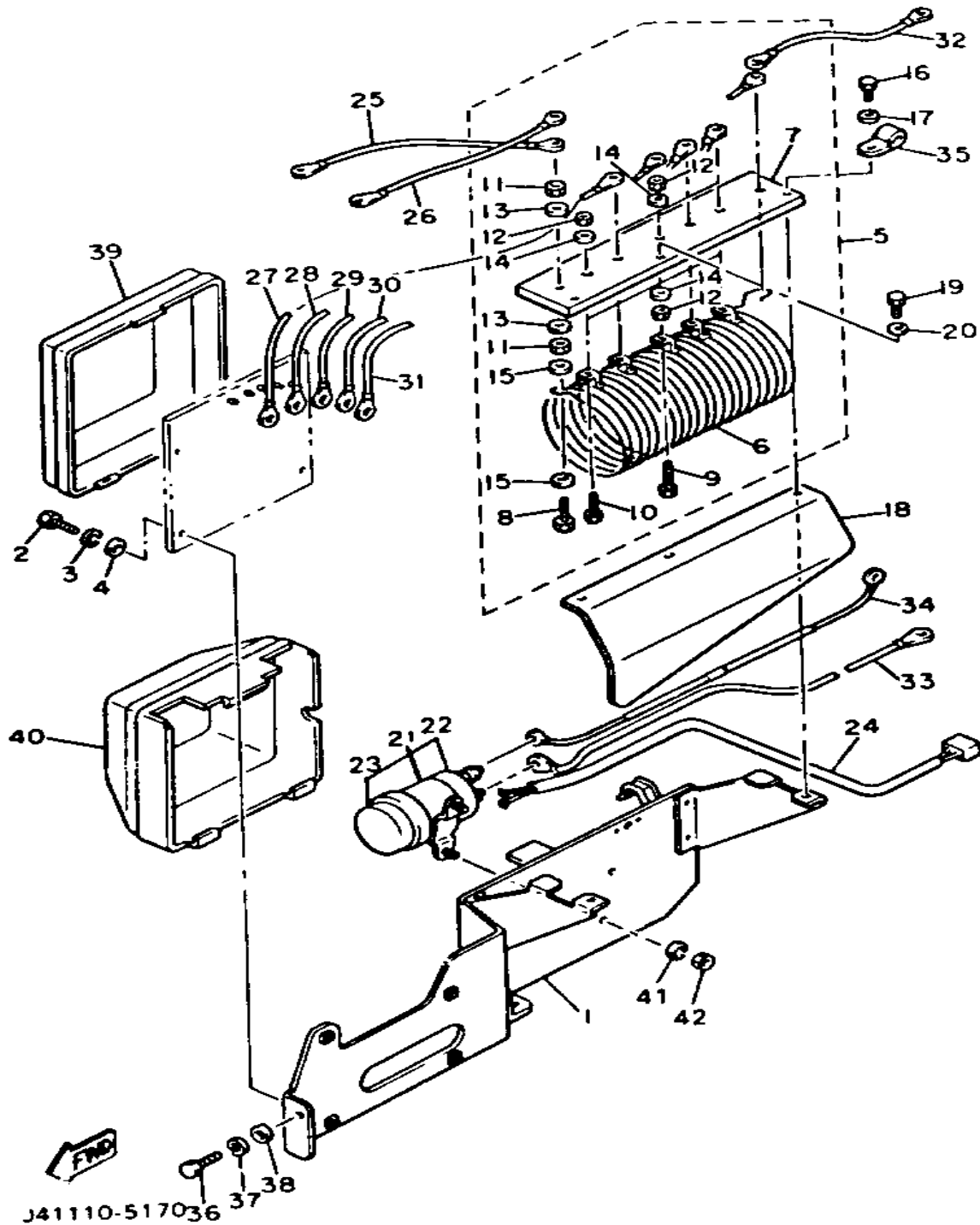
CONTINUED ON NEXT FRAME ►

CONTROLLER 1



Ref. No.	Part Number	Description	Qty	Remarks
28	92990-10200-00	WASHER, PLAIN	1	
29	95303-08600-00	NUT	2	
30	92990-08100-00	WASHER	2	
31	J22-86158-00-00	SPRING, COMPRESSION	1	

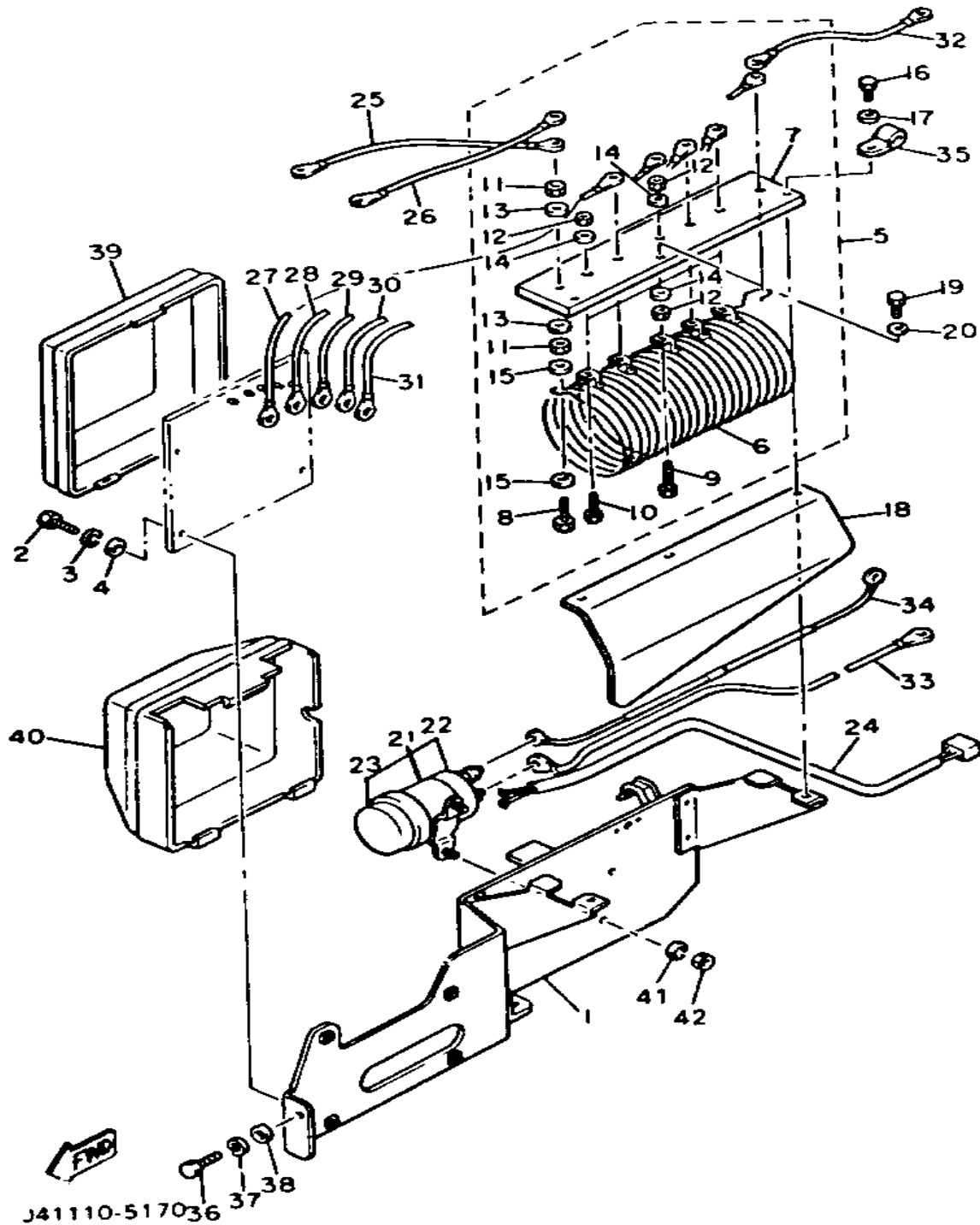
CONTROLLER 2



Ref. No.	Part Number	Description	Qty	Remarks
1	J41-86141-00-00	PLATE, CONTROLLER	1	
2	97313-06016-00	BOLT, HEXAGON	4	
3	92995-06100-00	WASHER, SPRING	4	
4	92990-06600-00	WASHER, PLATE	4	
5	J51-85370-00-00	RESISTOR ASSEMBLY	1	
6	J51-85370-00-00	RESISTOR ASSEMBLY	1	
7	J14-85378-01-00	PLATE, RESISTOR	1	
8	90101-08470-00	BOLT	2	
9	90101-06469-00	BOLT	4	
10	97011-06025-00	BOLT (97001-06025)	1	
11	95303-08700-00	NUT	4	
12	95380-06700-00	NUT	10	
13	92990-08600-00	WASHER, PLATE	4	
14	92990-06600-00	WASHER, PLATE	10	
15	90201-083F1-00	WASHER, PLATE	4	
16	97313-06016-00	BOLT, HEXAGON	2	
17	92990-06600-00	WASHER, PLATE	2	
18	J14-85379-00-00	COVER, RESISTOR	1	
19	97313-06016-00	BOLT, HEXAGON	1	
20	92990-06600-00	WASHER, PLATE	1	
21	J41-81950-00-00	RELAY ASSEMBLY.	1	
22	J41-81920-09-00	. G2A/E SLND RBLDKIT	1	
23	J38-8195R-00-00	. RUBBER BOOT	1	
24	J41-86177-00-00	WIRE, LEAD 7	1	
25	J41-86176-00-00	WIRE, LEAD	1	
26	J14-82507-00-00	WIRE, LEAD	1	
27	J14-86171-00-00	WIRE, LEAD 1	1	
28	J14-86175-00-00	WIRE, LEAD 5	1	
29	J14-86175-00-00	WIRE, LEAD 5	1	

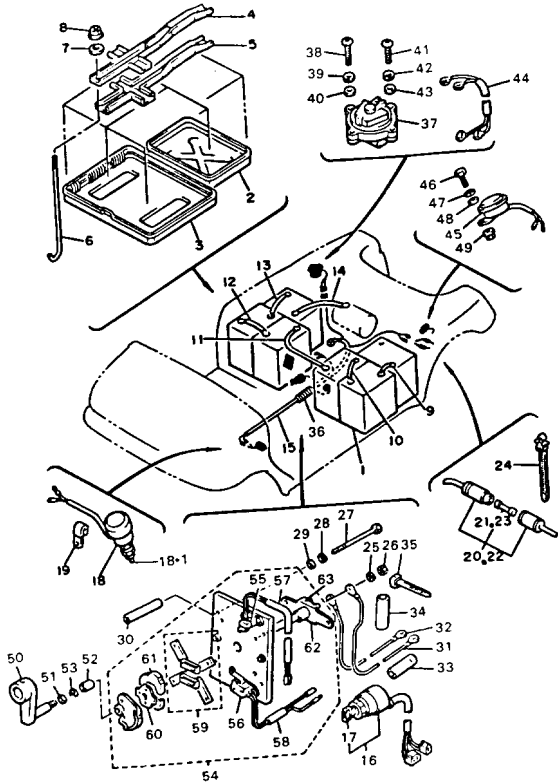
CONTINUED ON NEXT FRAME ►

CONTROLLER 2



Ref. No.	Part Number	Description	Qty	Remarks
30	J14-86175-00-00	WIRE, LEAD 5	1	
31	J14-86175-00-00	WIRE, LEAD 5	1	
32	J56-H2117-00-00	WIRE, LEAD	1	
33	J41-82117-01-00	WIRE, LEAD (J41-82117-00)	1	
34	J14-82531-00-00	WIRE, LEAD	1	
35	90465-08028-00	CLAMP	1	
36	97022-08016-00	BOLT	2	
37	92990-08100-00	WASHER	2	
38	92990-08600-00	WASHER, PLATE	1	
39	J56-H6163-00-00	COVER, CONTROLLER	1	
40	J56-H1942-00-00	COVER (J22-81942-00)	1	
41	92990-08100-00	WASHER	2	
42	95303-08700-00	NUT	2	

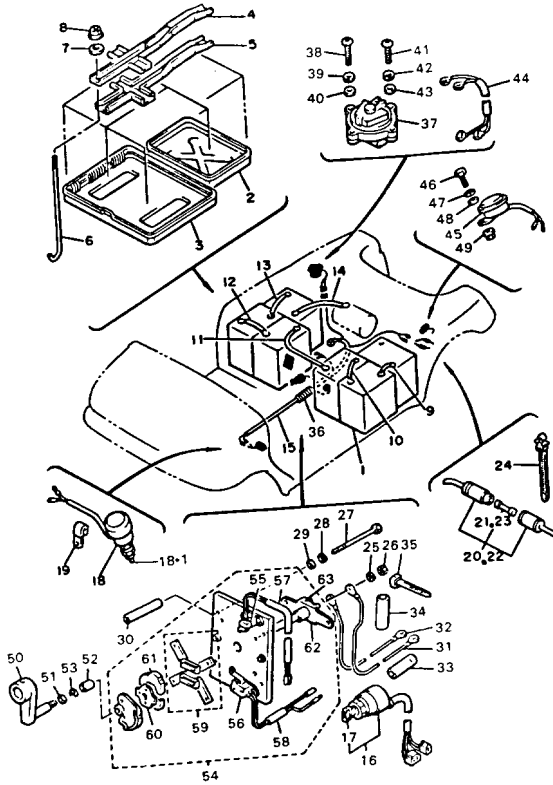
ELECTRICAL 1



Ref. No.	Part Number	Description	Qty	Remarks
1	*---	FRONT WHEEL ASSEMBLY ..	6	SEE NOTE
2	J56-H2122-00-00	SEAT, BATTERY	2	
3	J56-H2123-00-00	SEAT, BATTERY	2	
4	J41-82136-01-00	PLATE, BATTERY FITTING ...	2	
5	J41-82121-00-00	PAD, BATTERY	2	
6	J14-82133-01-00	SCREW, FITTING	4	
7	90201-06067-00	WASHER, PLATE	4	
8	95701-06500-00	NUT, FLANGE	4	
9	J56-H2127-00-00	WIRE, LEAD 2	1	
10	J56-H2117-00-00	WIRE, LEAD	1	
11	J56-H2149-00-00	WIRE, LEAD 3	1	
12	J56-H2127-00-00	WIRE, LEAD 2	1	
13	J56-H2117-00-00	WIRE, LEAD	1	
14	J56-H2116-00-00	WIRE, MINUS LEAD (J14-82116-00)	1	
15	J43-82590-00-00	WIRE HARNESS ASS'Y (J41-82590-00)	1	
16	J55-82510-00-00	MAIN SWITCH ASSEMBLY ...	1	
17	J17-82511-20-00	KEY, MAIN SWITCH	2	
18	J41-82550-00-00	STOP SWITCH ASSEMBLY ...	1	
19	90465-06038-00	CLAMP	1	
20	1E6-82150-00-00	FUSE HOLDER ASSEMBLY ...	1	
21	1E6-82151-00-00	FUSE (10A)	2	
22	1E6-82150-00-00	FUSE HOLDER ASSEMBLY ...	1	
23	1E6-82151-00-00	FUSE (10A)	2	
24	90464-12036-00	CLAMP	2	
25	92995-06100-00	WASHER, SPRING	4	
26	95380-06600-00	NUT	4	
27	97021-06080-00	BOLT (97001-06080-00)	4	

CONTINUED ON NEXT FRAME ►

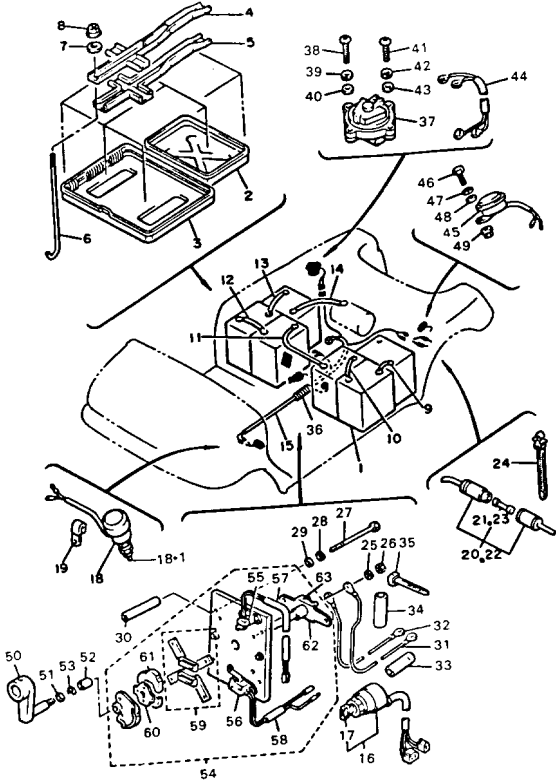
ELECTRICAL 1



Ref. No.	Part Number	Description	Qty	Remarks
28	92995-06100-00	WASHER, SPRING	4	
29	92990-06600-00	WASHER, PLATE	4	
30	90387-061M8-00	COLLAR	4	
31	J56-H2531-00-00	WIRE, LEAD	1	
32	J56-H2531-00-00	WIRE, LEAD	1	
33	J56-H7198-00-00	TUBE 2 (J22-87197-00)	1	
34	J56-H7197-00-00	TUBE 2	1	
35	90464-13073-00	CLAMP	1	
36	J56-H7196-00-00	TUBE 1	1	
37	JF3-86181-00-00	RECEPTACLE	1	
38	98506-05035-00	SCREW, PAN HEAD	2	
39	92906-05100-00	WASHER, SPRING	2	
40	92906-05600-00	WASHER, PLATE	2	
41	98506-05016-00	SCREW, PAN HEAD	2	
42	92906-05100-00	WASHER, SPRING	2	
43	92906-05600-00	WASHER, PLATE	2	
44	J41-82542-00-00	WIRE, LEAD	1	
45	J14-83383-01-00	BUZZER	1	
46	97313-06016-00	BOLT, HEXAGON	1	
47	92995-06100-00	WASHER, SPRING	1	
48	92990-06600-00	WASHER, PLATE	1	
49	95702-06600-00	NUT, FLANGE	1	
50	J41-46381-00-00	KNOB, SHIFT	1	
51	90201-12474-00	WASHER, PLATE	1	
52	J41-46394-00-00	JOINT	1	
53	99001-08600-00	CIRCLIP	1	
54	J41-82917-01-00	SWITCH	1	
55	J41-82617-00-00	SWITCH	1	
56	J41-82817-00-00	MICRO SWITCH	1	

CONTINUED ON NEXT FRAME ►

ELECTRICAL 1



Ref. No.	Part Number	Description	Qty	Remarks
57	J41-8253R-00-00	WIRE, LEAD 1	1	
58	J41-8253T-00-00	WIRE, LEAD 2	1	
59	J41-8250H-09-00	CONTACT PLATE COMP	1	
60	J41-82388-00-00	PLATE	1	
61	J41-82915-00-00	HOLDER 1	1	
62	J41-8250T-09-00	PLATE ACTION COMP	1	
63	91609-40040-00	PIN, SPRING	1	
18-1	JF2-82532-00-00	. CAP, RUBBER	1	