

PARTS CATALOGUE
MODEL YEAR 2004
G23EZ (JU61)

STARTING SERIAL NO.: JU6-000101 and following

OWNERS LIT-19626-01-18
ASSEMBLY LIT-11666-01-18
SERVICE LIT-11616-01-18

| CONTENTS | |
|------------------------|--------|
| ACCELERATOR | B2 |
| BODY | B7-8 |
| BODY 2 | B9 |
| BODY FITTING | B10 |
| BRAKE | A10-11 |
| BRAKE 2 | A12 |
| BRAKE 3 | B1 |
| BUMPER | B6 |
| CARRIER | B11-12 |
| CONTROLLER 1 | C4-5 |
| ELECTRIC MOTOR | C2 |
| ELECTRICAL 1 | C6-7 |
| FRAME | A5 |
| FRONT SUSPENSION WHEEL | A6-7 |
| HEADLIGHT | C3 |
| REAR ARM SUSPENSION | A4 |
| REAR AXLE MOUNT WHEEL | B5 |
| SEAT | C1 |
| STEERING | A8-9 |
| TRANSAXLE | B3-4 |

CONTENTS

| | |
|------------------------|--------|
| ACCELERATOR | B2 |
| BODY | B7-8 |
| BODY 2 | B9 |
| BODY FITTING | B10 |
| BRAKE | A10-11 |
| BRAKE 2 | A12 |
| BRAKE 3 | B1 |
| BUMPER | B6 |
| CARRIER | B11-12 |
| CONTROLLER 1 | C4-5 |
| ELECTRIC MOTOR | C2 |
| ELECTRICAL 1 | C6-7 |
| FRAME | A5 |
| FRONT SUSPENSION WHEEL | A6-7 |
| HEADLIGHT | C3 |
| REAR ARM SUSPENSION | A4 |
| REAR AXLE MOUNT WHEEL | B5 |
| SEAT | C1 |
| STEERING | A8-9 |
| TRANSAXLE | B3-4 |

FOREWORD

This Parts Catalogue is related to the parts for the model(s) on the cover page. When you are ordering replacement parts, please refer to this Parts Catalogue and quote both part numbers and part names correctly.

1. Modifications or additions which have been made after the issue of the Parts Catalogue will be announced in the Parts News.
It is advisable that you make the necessary corrections to the Parts Catalogue according to the Parts News.

2. Abbreviations
The following abbreviations are used in this Parts Catalogue.

"UR" Use specified parts number.

"UN" Use as many as needed.

"AP" Alternate Parts

"LM" Locally Made (Parts need to be ordered locally)

"F#" Frame No. (Applicable machine No.)

"O/S" Over Size

3. The number of components for assembly
 - Parts, which are to be supplied in an assembly, are listed with a dot (.) in front of the part name as shown below.
 - The numeral appearing to the right of each component part indicates the quantity of parts for each assembly unit.

| PART NO. | DESCRIPTION | Q'TY | REMARKS |
|--------------|--------------------------|------|---------|
| 2F5-83310-60 | FRONT FLASHER LIGHT ASSY | 2 | |
| 115-83311-60 | .BULB (6V-18W) | 1 | |

4. Applicable colours of graphics are represented in the "REMARKS" as shown below.

| PART NO. | DESCRIPTION | Q'TY | REMARKS |
|-----------------|---------------------|------|---------|
| 2N4-24110-00-X5 | FUEL TANK COMP. | 2 | MXR |
| 3J1-24240-10 | .GRAPHIC, FUEL TANK | 1 | FOR MXR |

5. Note that the illustrations for reference in finding parts numbers are not to be used for assembling. When assembling, please use the applicable service manual.

6. The asterisk (*) before a reference number indicates modified items after the first edition.

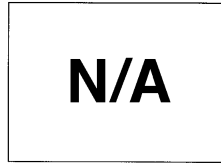
CONTENTS

| | |
|------------------------|--------|
| ACCELERATOR | B2 |
| BODY | B7-8 |
| BODY 2 | B9 |
| BODY FITTING | B10 |
| BRAKE | A10-11 |
| BRAKE 2 | A12 |
| BRAKE 3 | B1 |
| BUMPER | B6 |
| CARRIER | B11-12 |
| CONTROLLER 1 | C4-5 |
| ELECTRIC MOTOR | C2 |
| ELECTRICAL 1 | C6-7 |
| FRAME | A5 |
| FRONT SUSPENSION WHEEL | A6-7 |
| HEADLIGHT | C3 |
| REAR ARM SUSPENSION | A4 |
| REAR AXLE MOUNT WHEEL | B5 |
| SEAT | C1 |
| STEERING | A8-9 |
| TRANSAXLE | B3-4 |

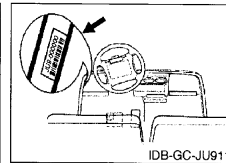
FOREWORD

7. Applicable Serial No.

Engine Serial No.



Frame Serial No.



10. Applicable Starting Serial No.

Frame Serial No.

| Serial No. | Name Of Q'ty Column | Model Code |
|-------------------|---------------------|-------------|
| JU6-000101 | JU61 | JU61 |
| | | |
| | | |
| | | |
| | | |

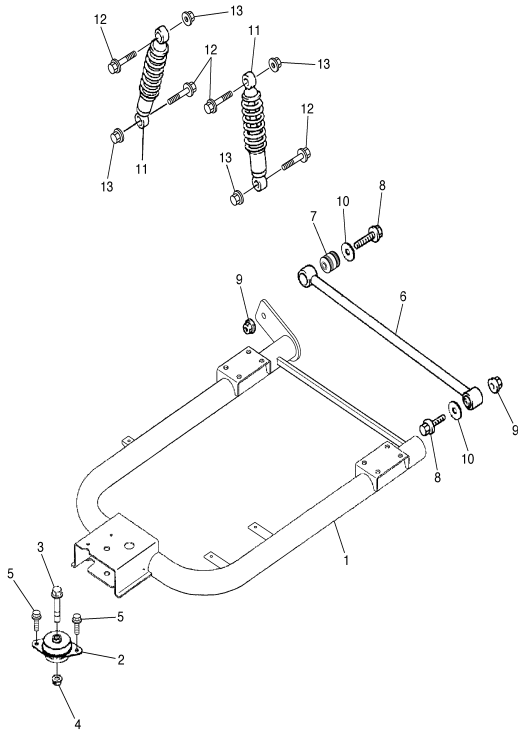
8. Applicable Colour Code (The (*) mark shows Model colour.)

| Abbreviation | Colour Name | Colour Code |
|--------------|-------------|-------------|
| | | |
| | | |
| | | |
| | | |
| | | |
| | | |
| | | |
| | | |
| | | |
| | | |

9. Quantity Column Information

| Column No. | Name Of Q'ty Column | Destination |
|------------|---------------------|-------------|
| 1 | JU61 | U.S.A |
| | | |
| | | |
| | | |

REAR ARM SUSPENSION



| Ref. No. | Part Number | Description | Qty | Remarks |
|----------|-----------------|---------------------------------|-----|---------|
| 1 | JU6-F2110-00-00 | REAR ARM COMP. | 1 | |
| 2 | JN6-F2123-10-00 | BUSH 1 | 1 | |
| 3 | 90105-13864-00 | BOLT, FLANGE | 1 | |
| 4 | 90179-13878-00 | NUT | 1 | |
| 5 | 9751P-10620-00 | BOLT, WITH WASHER | 2 | |
| 6 | JN6-F217G-00-00 | ROD, CONNECTING 2 | 1 | |
| 7 | JN6-F2124-10-00 | BUSH 2 | 2 | |
| 8 | 9581P-12065-00 | BOLT, FLANGE | 2 | |
| 9 | 9560P-12200-00 | NUT, FLANGE | 2 | |
| 10 | 90201-128S4-00 | WASHER, PLATE | 2 | |
| 11 | JR6-F2210-00-00 | SHOCK ABSORBER ASSY, REAR | 2 | |
| 12 | 9581P-12065-00 | BOLT, FLANGE | 4 | |
| 13 | 90185-12072-00 | NUT, SELF-LOCKING | 4 | |

CONTENTS

| | |
|------------------------|--------|
| ACCELERATOR | B2 |
| BODY | B7-8 |
| BODY 2 | B9 |
| BODY FITTING | B10 |
| BRAKE | A10-11 |
| BRAKE 2 | A12 |
| BRAKE 3 | B1 |
| BUMPER | B6 |
| CARRIER | B11-12 |
| CONTROLLER 1 | C4-5 |
| ELECTRIC MOTOR | C2 |
| ELECTRICAL 1 | C6-7 |
| FRAME | A5 |
| FRONT SUSPENSION WHEEL | A6-7 |
| HEADLIGHT | C3 |
| REAR ARM SUSPENSION | A4 |
| REAR AXLE MOUNT WHEEL | B5 |
| SEAT | C1 |
| STEERING | A8-9 |
| TRANSAXLE | B3-4 |



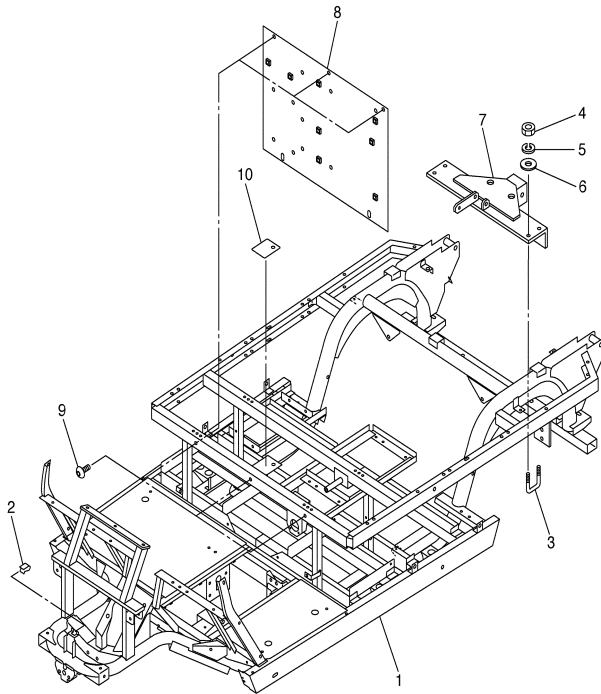
JU61110-C010

FRAME

| Ref. No. | Part Number | Description | Qty | Remarks |
|----------|-----------------|--------------------------------|-----|------------|
| 1 | JU6-F2501-00-00 | FRAME COMP. | 1 | SEE NOTE A |
| 2 | JU0-F2567-00-00 | SUPPORT 1 | 1 | |
| 3 | 90109-10862-00 | BOLT | 2 | |
| 4 | 90170-10847-00 | NUT | 4 | |
| 5 | 9290P-10100-00 | WASHER | 4 | |
| 6 | 9290P-10200-00 | WASHER | 4 | |
| 7 | JW5-F722B-00-00 | BAR, TOW | 1 | |
| 8 | JU6-F2527-00-00 | SUPPORT, MEMBER | 1 | |
| 9 | 90110-06836-00 | BOLT, HEXAGON SOCKET HEAD | 5 | |
| 10 | JR1-K8298-10-00 | PLATE, CAUTION 2 | 1 | SEE NOTE A |

CONTENTS

| | |
|------------------------|--------|
| ACCELERATOR | B2 |
| BODY | B7-8 |
| BODY 2 | B9 |
| BODY FITTING | B10 |
| BRAKE | A10-11 |
| BRAKE 2 | A12 |
| BRAKE 3 | B1 |
| BUMPER | B6 |
| CARRIER | B11-12 |
| CONTROLLER 1 | C4-5 |
| ELECTRIC MOTOR | C2 |
| ELECTRICAL 1 | C6-7 |
| FRAME | A5 |
| FRONT SUSPENSION WHEEL | A6-7 |
| HEADLIGHT | C3 |
| REAR ARM SUSPENSION | A4 |
| REAR AXLE MOUNT WHEEL | B5 |
| SEAT | C1 |
| STEERING | A8-9 |
| TRANSAXLE | B3-4 |



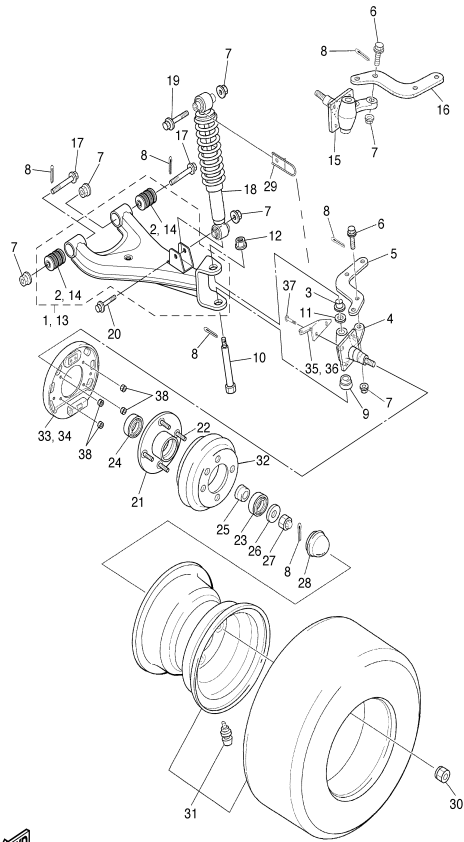
NOTE A: WHEN REPLACING "FRAME COMP. JU6-F2501-00-00",
YOU MUST ALSO REPLACE "PLATE, CAUTION 2 JR1-K8298-10-00".



JU61110-C020

G23-E

A5



FRONT SUSPENSION WHEEL

| Ref. No. | Part Number | Description | Qty | Remarks |
|----------|-----------------|-------------------------------|-----|---------|
| 1 | JU5-F3570-10-00 | FRONT LOWER ARM COMP. (LEFT) | 1 | |
| 2 | JN6-F3526-00-00 | . .BUSH | 2 | |
| 3 | 90384-15825-00 | BUSH, BIMETAL FORMED | 2 | |
| 4 | JR6-F3501-10-00 | STEERING KNUCKLE ASSY (LEFT) | 1 | |
| 5 | JN3-F3512-00-00 | ARM, KNUCKLE 1 | 1 | |
| 6 | 90105-10895-00 | BOLT, FLANGE | 4 | |
| 7 | 95607-10200-00 | NUT, U FLANGE | 12 | |
| 8 | 91401-25020-00 | PIN, COTTER | 12 | |
| 9 | J38-23527-00-00 | SEAL, DUST 1 | 2 | |
| 10 | JR6-F3516-00-00 | KING PIN, STEERING KNUCKLE | 2 | |
| 11 | 90201-158S6-00 | WASHER, PLATE | 2 | |
| 12 | 9560P-10200-00 | NUT, FLANGE | 2 | |
| 13 | JU5-F3580-10-00 | FRONT LOWER ARM COMP. (RIGHT) | 1 | |
| 14 | JN6-F3526-00-00 | . .BUSH | 2 | |
| 15 | JR6-F3502-10-00 | STEERING KNUCKLE ASSY (RIGHT) | 1 | |
| 16 | JN3-F3512-00-00 | ARM, KNUCKLE 1 | 1 | |
| 17 | 90105-10894-00 | BOLT, FLANGE | 4 | |
| 18 | JR6-F3350-00-00 | SHOCK ABSORBER ASSY | 2 | |
| 19 | 95807-10065-00 | BOLT, FLANGE | 2 | |
| 20 | 95807-10055-00 | BOLT, FLANGE | 2 | |
| 21 | JR6-F5110-00-00 | HUB ASSY, FRONT | 2 | |
| 22 | 90114-12803-00 | BOLT, SERRATION | 8 | |
| 23 | 93306-204X0-00 | BEARING | 2 | |
| 24 | 93306-005Y3-00 | BEARING | 2 | |
| 25 | 90387-241M7-00 | COLLAR | 2 | |
| 26 | 90209-32832-00 | WASHER | 2 | |

CONTENTS

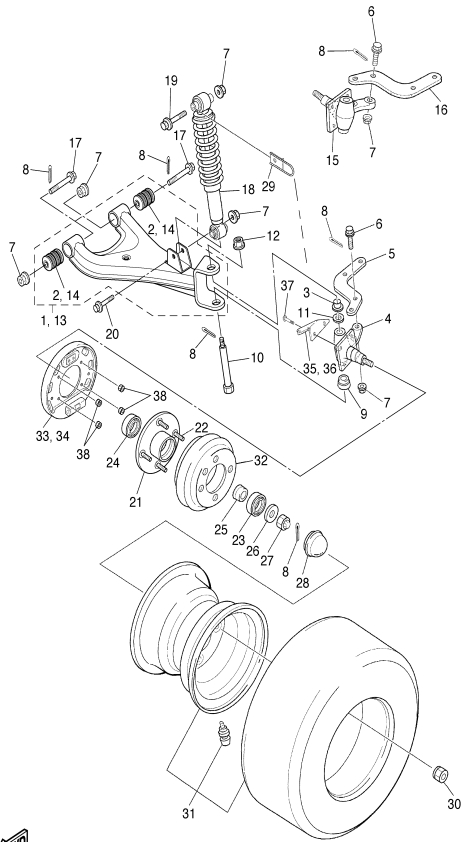
| | |
|------------------------|--------|
| ACCELERATOR | B2 |
| BODY | B7-8 |
| BODY 2 | B9 |
| BODY FITTING | B10 |
| BRAKE | A10-11 |
| BRAKE 2 | A12 |
| BRAKE 3 | B1 |
| BUMPER | B6 |
| CARRIER | B11-12 |
| CONTROLLER 1 | C4-5 |
| ELECTRIC MOTOR | C2 |
| ELECTRICAL 1 | C6-7 |
| FRAME | A5 |
| FRONT SUSPENSION WHEEL | A6-7 |
| HEADLIGHT | C3 |
| REAR ARM SUSPENSION | A4 |
| REAR AXLE MOUNT WHEEL | B5 |
| SEAT | C1 |
| STEERING | A8-9 |
| TRANSAXLE | B3-4 |

CONTINUED ON NEXT FRAME ►



JU51110-C130

FRONT SUSPENSION WHEEL



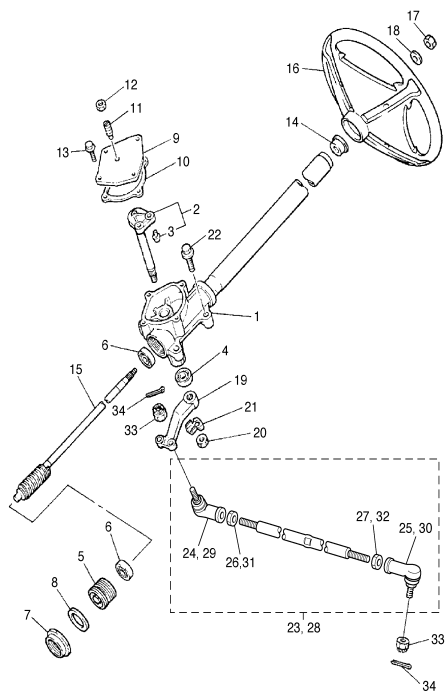
| Ref. No. | Part Number | Description | Qty | Remarks |
|----------|-----------------|-----------------------------|-----|-------------------|
| 27 | 95607-14100-00 | NUT, U | 2 | |
| 28 | JN6-F5118-00-00 | COVER, HUB DUST | 2 | |
| 29 | JR6-F1339-00-00 | GUIDE, WIRE | 2 | |
| 30 | 90179-12262-00 | NUT | 8 | |
| 31 | JN6-F5100-20-00 | WHEEL ASSY (18X8.50-8 4PLY) | 2 | |
| 32 | J55-G6521-10-00 | DRUM | 2 | |
| 33 | JN6-F7290-03-00 | BACKING PLATE ASSY 2 | 1 | SEE BRAKE 2 (L.H) |
| 34 | JN6-F7280-03-00 | BACKING PLATE ASSY 1 | 1 | SEE BRAKE 3 (R.H) |
| 35 | JR6-F7263-00-00 | BRACKET 1 | 1 | |
| 36 | JR6-F7264-00-00 | BRACKET 2 | 1 | |
| 37 | 9502P-08025-00 | BOLT, FLANGE | 8 | |
| 38 | 9560P-08200-00 | NUT | 8 | |

CONTENTS

| | |
|------------------------|--------|
| ACCELERATOR | B2 |
| BODY | B7-8 |
| BODY 2 | B9 |
| BODY FITTING | B10 |
| BRAKE | A10-11 |
| BRAKE 2 | A12 |
| BRAKE 3 | B1 |
| BUMPER | B6 |
| CARRIER | B11-12 |
| CONTROLLER 1 | C4-5 |
| ELECTRIC MOTOR | C2 |
| ELECTRICAL 1 | C6-7 |
| FRAME | A5 |
| FRONT SUSPENSION WHEEL | A6-7 |
| HEADLIGHT | C3 |
| REAR ARM SUSPENSION | A4 |
| REAR AXLE MOUNT WHEEL | B5 |
| SEAT | C1 |
| STEERING | A8-9 |
| TRANSAXLE | B3-4 |



JU51110-C130



STEERING

| Ref. No. | Part Number | Description | Qty | Remarks |
|----------|-----------------|----------------------|-----|---------|
| 1 | JG5-F3811-00-00 | COLUMN, STEERING | 1 | |
| 2 | J38-23816-00-00 | ARM, PITMAN | 1 | |
| 3 | J38-23836-00-00 | . PIN, PITMAN | 2 | |
| 4 | 93102-22082-00 | OIL SEAL | 1 | |
| 5 | J55-F3876-00-00 | BOLT | 1 | |
| 6 | 93332-000Y2-00 | BEARING | 2 | |
| 7 | J10-23877-00-00 | NUT | 1 | |
| 8 | J10-23444-00-00 | WASHER | 1 | |
| 9 | JN3-F3818-00-00 | COVER, STEERING | 1 | |
| 10 | J38-23462-01-00 | SEAL, STEERING | 1 | |
| 11 | J10-F3459-00-00 | BOLT | 1 | |
| 12 | 90170-08024-00 | NUT | 1 | |
| 13 | 95807-06020-00 | BOLT, FLANGE | 4 | |
| 14 | JN3-F3814-00-00 | HOLDER, HANDLE UPPER | 1 | |
| 15 | J10-23840-00-00 | STEERING SHAFT ASSY | 1 | |
| 16 | JN3-F3838-00-00 | WHEEL, STEERING | 1 | |
| 17 | 90185-12061-00 | NUT, SELF-LOCKING | 1 | |
| 18 | 9290P-12200-00 | WASHER | 1 | |
| 19 | J38-23826-01-00 | ARM, IDLER | 1 | |
| 20 | 95707-16300-00 | NUT, FLANGE | 1 | |
| 21 | 90215-16814-00 | WASHER, LOCK | 1 | |
| 22 | 90105-10880-00 | BOLT, FLANGE | 4 | |
| 23 | JN6-F3830-11-00 | TIE ROD ASSY (L.H) | 1 | |
| 24 | JN6-F3841-00-00 | . JOINT, UNIVERSAL 1 | 1 | |
| 25 | JN6-F3845-00-00 | . JOINT, UNIVERSAL 2 | 1 | |
| 26 | 9530N-10600-00 | . NUT | 1 | |
| 27 | 90170-10414-00 | . NUT | 1 | |
| 28 | JN6-F3850-11-00 | TIE ROD ASSY (R.H) | 1 | |
| 29 | JN6-F3841-00-00 | . JOINT, UNIVERSAL 1 | 1 | |
| 30 | JN6-F3845-00-00 | . JOINT, UNIVERSAL 2 | 1 | |

CONTENTS

| | |
|------------------------|--------|
| ACCELERATOR | B2 |
| BODY | B7-8 |
| BODY 2 | B9 |
| BODY FITTING | B10 |
| BRAKE | A10-11 |
| BRAKE 2 | A12 |
| BRAKE 3 | B1 |
| BUMPER | B6 |
| CARRIER | B11-12 |
| CONTROLLER 1 | C4-5 |
| ELECTRIC MOTOR | C2 |
| ELECTRICAL 1 | C6-7 |
| FRAME | A5 |
| FRONT SUSPENSION WHEEL | A6-7 |
| HEADLIGHT | C3 |
| REAR ARM SUSPENSION | A4 |
| REAR AXLE MOUNT WHEEL | B5 |
| SEAT | C1 |
| STEERING | A8-9 |
| TRANSAXLE | B3-4 |



JU91110-C140

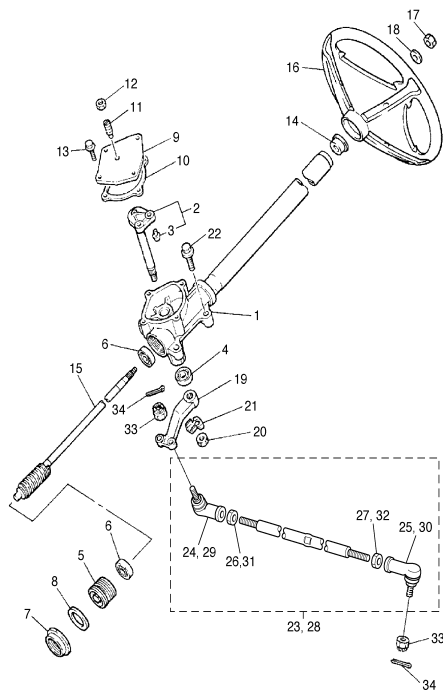
CONTINUED ON NEXT FRAME ►

STEERING

| Ref. No. | Part Number | Description | Qty | Remarks |
|----------|----------------|---------------------|-----|---------|
| 31 | 9530N-10600-00 | . .NUT | 1 | |
| 32 | 90170-10414-00 | . .NUT | 1 | |
| 33 | 95607-10200-00 | NUT, U FLANGE | 4 | |
| 34 | 91401-25020-00 | PIN, COTTER | 4 | |

CONTENTS

| | |
|------------------------|--------|
| ACCELERATOR | B2 |
| BODY | B7-8 |
| BODY 2 | B9 |
| BODY FITTING | B10 |
| BRAKE | A10-11 |
| BRAKE 2 | A12 |
| BRAKE 3 | B1 |
| BUMPER | B6 |
| CARRIER | B11-12 |
| CONTROLLER 1 | C4-5 |
| ELECTRIC MOTOR | C2 |
| ELECTRICAL 1 | C6-7 |
| FRAME | A5 |
| FRONT SUSPENSION WHEEL | A6-7 |
| HEADLIGHT | C3 |
| REAR ARM SUSPENSION | A4 |
| REAR AXLE MOUNT WHEEL | B5 |
| SEAT | C1 |
| STEERING | A8-9 |
| TRANSAXLE | B3-4 |



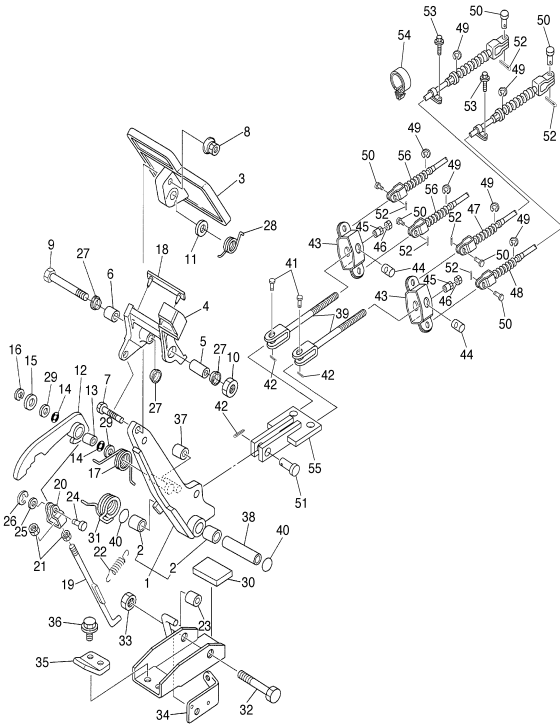
JU91110-C140

BRAKE

| Ref. No. | Part Number | Description | Qty | Remarks |
|----------|-----------------|----------------------------|-----|---------|
| 1 | J46-27250-03-00 | BRAKE ARM COMP. | 1 | |
| 2 | 90384-14080-00 | . BUSH, BIMETAL FORMED ... | 2 | |
| 3 | JU0-27211-01-00 | PEDAL, BRAKE | 1 | |
| 4 | JU0-25671-00-00 | PEDAL, PARKING BRAKE | 1 | |
| 5 | 90387-08014-00 | COLLAR | 1 | |
| 6 | 90387-08013-00 | COLLAR | 1 | |
| 7 | 97027-06035-00 | BOLT | 1 | |
| 8 | 90179-07564-00 | NUT | 1 | |
| 9 | 97027-08100-00 | BOLT | 1 | |
| 10 | 95307-08600-00 | NUT | 1 | |
| 11 | 92907-08200-00 | WASHER | 1 | |
| 12 | J17-25666-02-00 | SECTOR, PARKING BRAKE .. | 1 | |
| 13 | 90384-10162-00 | BUSH, BIMETAL FORMED | 1 | |
| 14 | J17-27221-00-00 | SEAL, SHAFT | 2 | |
| 15 | 92907-10600-00 | WASHER, PLATE | 1 | |
| 16 | 99001-07600-00 | CIRCLIP | 1 | |
| 17 | 90508-14548-00 | SPRING, TORSION | 1 | |
| 18 | J17-25672-01-00 | PAD, PARKING PEDAL | 1 | |
| 19 | J17-27231-03-00 | ROD, BRAKE | 1 | |
| 20 | J17-27232-00-00 | END, ROD 2 | 1 | |
| 21 | 95307-06700-00 | NUT | 2 | |
| 22 | 90506-09001-00 | SPRING, TENSION | 1 | |
| 23 | J17-25673-00-00 | DAMPER, BRAKE | 1 | |
| 24 | J17-27228-00-00 | PIN, JOINT | 1 | |
| 25 | 92907-05600-00 | WASHER, PLATE | 1 | |
| 26 | 99001-04600-00 | CIRCLIP | 1 | |
| 27 | 90387-12009-00 | COLLAR | 3 | |
| 28 | 90508-32015-00 | SPRING, TORSION | 1 | |
| 29 | 90201-104G8-00 | WASHER, PLATE | 2 | |
| 30 | JN3-F7245-00-00 | PAD, BRAKE PEDAL | 1 | |

CONTENTS

| | |
|------------------------|--------|
| ACCELERATOR | B2 |
| BODY | B7-8 |
| BODY 2 | B9 |
| BODY FITTING | B10 |
| BRAKE | A10-11 |
| BRAKE 2 | A12 |
| BRAKE 3 | B1 |
| BUMPER | B6 |
| CARRIER | B11-12 |
| CONTROLLER 1 | C4-5 |
| ELECTRIC MOTOR | C2 |
| ELECTRICAL 1 | C6-7 |
| FRAME | A5 |
| FRONT SUSPENSION WHEEL | A6-7 |
| HEADLIGHT | C3 |
| REAR ARM SUSPENSION | A4 |
| REAR AXLE MOUNT WHEEL | B5 |
| SEAT | C1 |
| STEERING | A8-9 |
| TRANSAXLE | B3-4 |



JU51110-C160

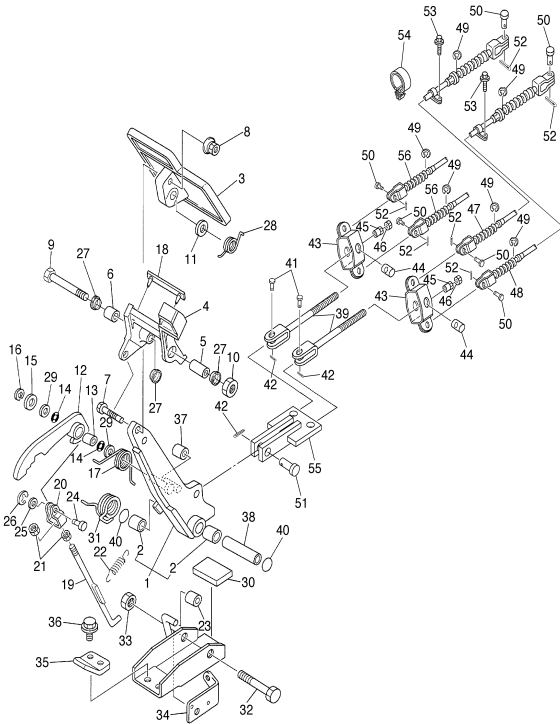
CONTINUED ON NEXT FRAME ►

BRAKE

| Ref. No. | Part Number | Description | Qty | Remarks |
|----------|-----------------|------------------|-----|---------|
| 31 | 90508-40007-00 | SPRING, TORSION | 1 | |
| 32 | 90101-10884-00 | BOLT | 1 | |
| 33 | 95607-10200-00 | NUT, U FLANGE | 1 | |
| 34 | J55-2252M-00-00 | BRACKET, 3 | 1 | |
| 35 | J17-27246-00-00 | NAIL, BRAKE | 1 | |
| 36 | 90105-08878-00 | BOLT, FLANGE | 2 | |
| 37 | J17-25673-00-00 | DAMPER, BRAKE | 1 | |
| 38 | 90387-107F8-00 | COLLAR | 1 | |
| 39 | JN6-F5685-00-00 | ROD | 2 | |
| 40 | 93210-132A8-00 | O-RING | 2 | |
| 41 | 91701-10022-00 | PIN, CLEVIS | 2 | |
| 42 | 91490-30015-00 | PIN, COTTER | 3 | |
| 43 | J10-25681-00-00 | EQUALIZER, BRAKE | 2 | |
| 44 | 90249-14129-00 | PIN | 2 | |
| 45 | 90179-08894-00 | NUT | 2 | |
| 46 | 95307-08700-00 | NUT | 2 | |
| 47 | JJ3-F6341-01-00 | CABLE, BRAKE | 1 | |
| 48 | JJ3-F6351-02-00 | CABLE, BRAKE | 1 | |
| 49 | 99001-09600-00 | CIRCLIP | 8 | |
| 50 | 91701-08018-00 | PIN, CLEVIS | 8 | |
| 51 | 91701-10028-00 | PIN, CLEVIS | 1 | |
| 52 | 91490-25015-00 | PIN, COTTER | 8 | |
| 53 | 90105-06876-00 | BOLT, FLANGE | 2 | |
| 54 | 90464-19815-00 | CLAMP | 1 | |
| 55 | JR6-F7215-00-00 | LINK | 1 | |
| 56 | JR6-F6361-00-00 | CABLE, BRAKE | 2 | |

CONTENTS

| | |
|------------------------|--------|
| ACCELERATOR | B2 |
| BODY | B7-8 |
| BODY 2 | B9 |
| BODY FITTING | B10 |
| BRAKE | A10-11 |
| BRAKE 2 | A12 |
| BRAKE 3 | B1 |
| BUMPER | B6 |
| CARRIER | B11-12 |
| CONTROLLER 1 | C4-5 |
| ELECTRIC MOTOR | C2 |
| ELECTRICAL 1 | C6-7 |
| FRAME | A5 |
| FRONT SUSPENSION WHEEL | A6-7 |
| HEADLIGHT | C3 |
| REAR ARM SUSPENSION | A4 |
| REAR AXLE MOUNT WHEEL | B5 |
| SEAT | C1 |
| STEERING | A8-9 |
| TRANSAXLE | B3-4 |



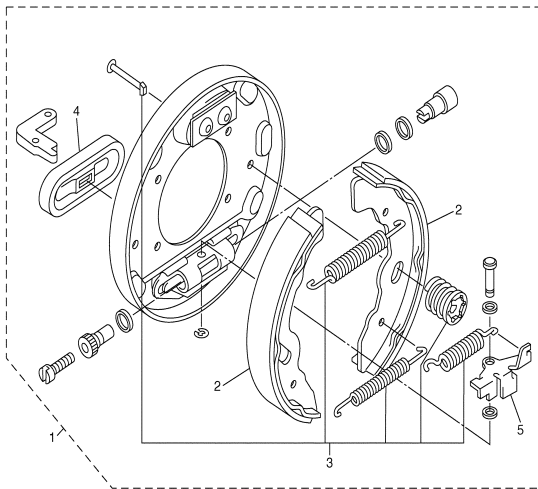
JU51110-C160

BRAKE 2

| Ref. No. | Part Number | Description | Qty | Remarks |
|----------|-----------------|-----------------------|-----|------------------|
| 1 | JN6-F7290-03-00 | BACKING PLATE ASSY 2 | 2 | L/S FRONT & REAR |
| 2 | JN6-F5331-01-00 | .SHOE, BRAKE 1 | 2 | |
| 3 | JN6-F819G-00-00 | .REPAIR PARTS KIT | 1 | |
| 4 | JN6-F7286-00-00 | .COVER, DUST | 1 | |
| 5 | JN6-F722E-00-00 | .LEVER, ADJUSTOR (LH) | 1 | |

CONTENTS

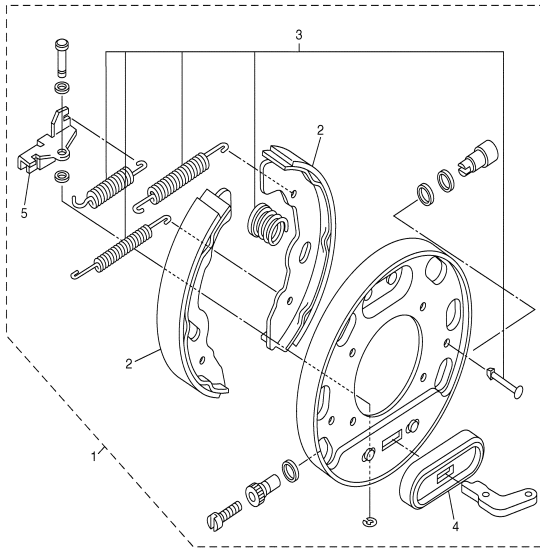
| | |
|------------------------|--------|
| ACCELERATOR | B2 |
| BODY | B7-8 |
| BODY 2 | B9 |
| BODY FITTING | B10 |
| BRAKE | A10-11 |
| BRAKE 2 | A12 |
| BRAKE 3 | B1 |
| BUMPER | B6 |
| CARRIER | B11-12 |
| CONTROLLER 1 | C4-5 |
| ELECTRIC MOTOR | C2 |
| ELECTRICAL 1 | C6-7 |
| FRAME | A5 |
| FRONT SUSPENSION WHEEL | A6-7 |
| HEADLIGHT | C3 |
| REAR ARM SUSPENSION | A4 |
| REAR AXLE MOUNT WHEEL | B5 |
| SEAT | C1 |
| STEERING | A8-9 |
| TRANSAXLE | B3-4 |



JT71010-B160

BRAKE 3

| Ref. No. | Part Number | Description | Qty | Remarks |
|----------|-----------------|-----------------------|-----|------------------|
| 1 | JN6-F7280-03-00 | BACKING PLATE ASSY 1 | 2 | R/S FRONT & REAR |
| 2 | JN6-F5341-01-00 | .SHOE, BRAKE 2 | 2 | |
| 3 | JN6-F819G-00-00 | .REPAIR PARTS KIT | 1 | |
| 4 | JN6-F7286-00-00 | .COVER, DUST | 1 | |
| 5 | JN6-F722F-00-00 | .LEVER, ADJUSTOR (RH) | 1 | |



CONTENTS

| | |
|------------------------|--------|
| ACCELERATOR | B2 |
| BODY | B7-8 |
| BODY 2 | B9 |
| BODY FITTING | B10 |
| BRAKE | A10-11 |
| BRAKE 2 | A12 |
| BRAKE 3 | B1 |
| BUMPER | B6 |
| CARRIER | B11-12 |
| CONTROLLER 1 | C4-5 |
| ELECTRIC MOTOR | C2 |
| ELECTRICAL 1 | C6-7 |
| FRAME | A5 |
| FRONT SUSPENSION WHEEL | A6-7 |
| HEADLIGHT | C3 |
| REAR ARM SUSPENSION | A4 |
| REAR AXLE MOUNT WHEEL | B5 |
| SEAT | C1 |
| STEERING | A8-9 |
| TRANSAXLE | B3-4 |



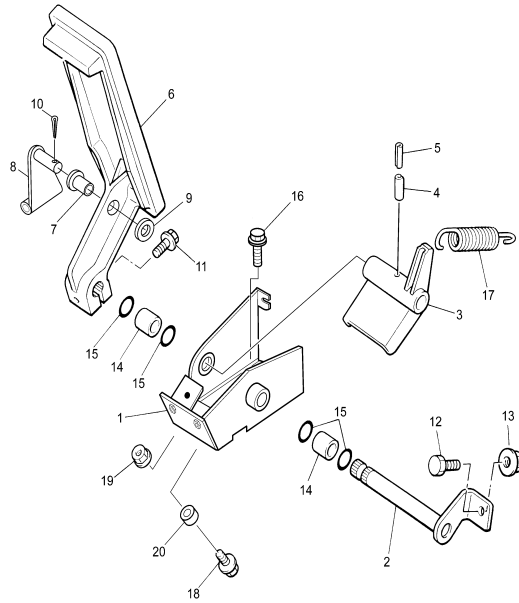
JT71010-B170

ACCELERATOR

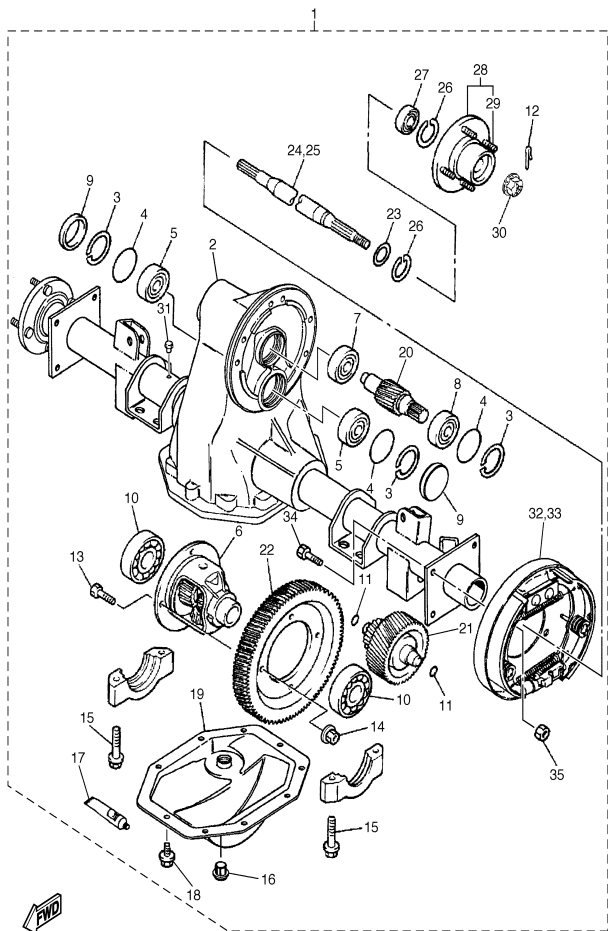
| Ref. No. | Part Number | Description | Qty | Remarks |
|----------|-----------------|----------------------------|-----|---------|
| 1 | JN6-F7874-01-00 | BRACKET, ACCELERATOR PEDAL | 1 | |
| 2 | J17-27853-01-00 | SHAFT, PEDAL 1 | 1 | |
| 3 | J22-27872-00-00 | ARM, ACCELERATOR PEDAL | 1 | |
| 4 | 91609-60028-00 | PIN, SPRING | 1 | |
| 5 | 91609-35028-00 | PIN, SPRING | 1 | |
| 6 | JF3-27871-00-00 | PEDAL, ACCELERATOR | 1 | |
| 7 | 90381-06033-00 | BUSH, SOLID | 1 | |
| 8 | J14-27815-00-00 | LEVER, CRANK PEDAL | 1 | |
| 9 | 9290P-06600-00 | WASHER | 1 | |
| 10 | 91401-20012-00 | PIN, COTTER | 1 | |
| 11 | 95807-06025-00 | BOLT, FLANGE | 1 | |
| 12 | 90106-08806-00 | BOLT | 1 | |
| 13 | 95707-08500-00 | NUT, FLANGE | 1 | |
| 14 | 90384-14080-00 | BUSH, BIMETAL FORMED | 2 | |
| 15 | 93210-14104-00 | O-RING | 4 | |
| 16 | 90105-08878-00 | BOLT, FLANGE | 3 | |
| 17 | 90506-26282-00 | SPRING, TENSION | 1 | |
| 18 | 95807-06025-00 | BOLT, FLANGE | 1 | |
| 19 | 95707-06500-00 | NUT, FLANGE | 1 | |
| 20 | 90387-068T4-00 | COLLAR | 1 | |

CONTENTS

| | |
|------------------------|--------|
| ACCELERATOR | B2 |
| BODY | B7-8 |
| BODY 2 | B9 |
| BODY FITTING | B10 |
| BRAKE | A10-11 |
| BRAKE 2 | A12 |
| BRAKE 3 | B1 |
| BUMPER | B6 |
| CARRIER | B11-12 |
| CONTROLLER 1 | C4-5 |
| ELECTRIC MOTOR | C2 |
| ELECTRICAL 1 | C6-7 |
| FRAME | A5 |
| FRONT SUSPENSION WHEEL | A6-7 |
| HEADLIGHT | C3 |
| REAR ARM SUSPENSION | A4 |
| REAR AXLE MOUNT WHEEL | B5 |
| SEAT | C1 |
| STEERING | A8-9 |
| TRANSAXLE | B3-4 |



JU2100-5080



JU61110-C090

TRANSAXLE

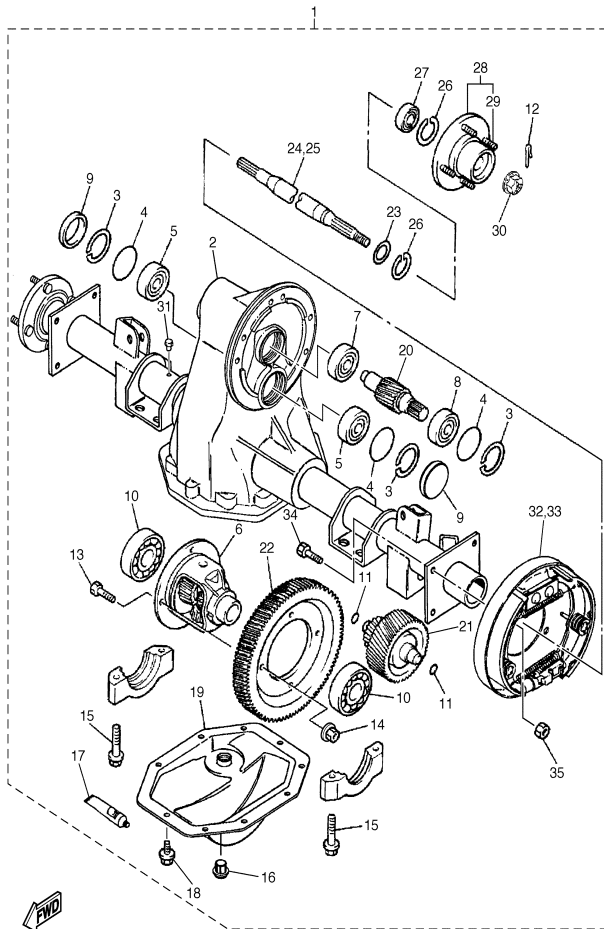
| Ref. No. | Part Number | Description | Qty | Remarks |
|----------|-----------------|-----------------------------|-----|---------|
| 1 | JU6-G6300-00-00 | TRANS AXLE ASSY | 1 | |
| 2 | JU6-G6310-00-00 | .. CASE ASSY | 1 | |
| 3 | 93420-50804-00 | .. CIRCLIP | 3 | |
| 4 | 93210-478B8-00 | .. O-RING | 3 | |
| 5 | 93306-303Y6-00 | .. BEARING | 2 | |
| 6 | JN6-G6410-00-00 | .. DIFFERENTIAL ASSY. | 1 | |
| 7 | 93306-203X1-00 | .. BEARING | 1 | |
| 8 | 93306-005Y1-00 | .. BEARING | 1 | |
| 9 | JH7-G3396-00-00 | .. PLUG, BLIND | 2 | |
| 10 | 93306-007Y0-00 | .. BEARING | 2 | |
| 11 | 93210-148B9-00 | .. O-RING | 2 | |
| 12 | 91490-25025-00 | .. PIN, COTTER | 2 | |
| 13 | 90101-10854-00 | .. BOLT | 4 | |
| 14 | 90170-10840-00 | .. NUT | 4 | |
| 15 | 90105-10840-00 | .. BOLT, FLANGE | 4 | |
| 16 | JN3-G6432-00-00 | .. STOPPER | 1 | |
| 17 | JH7-G6136-00-00 | .. SEAL 1 | 1 | |
| 18 | 90101-08856-00 | .. BOLT | 10 | |
| 19 | JU6-G8314-10-00 | .. COVER, TRANSMISSION 2 | 1 | |
| 20 | JU6-G8321-00-00 | .. SHAFT, INPUT | 1 | |
| 21 | JU6-G6350-00-00 | .. COUNTER GEAR ASSY | 1 | |
| 22 | JU6-G6421-00-00 | .. GEAR, RING | 1 | |
| 23 | 93101-31836-00 | .. OIL SEAL | 2 | |
| 24 | JU6-G6512-00-00 | .. SHAFT, REAR AXLE 2 (R.H) | 1 | |
| 25 | JU6-G6511-00-00 | .. SHAFT, REAR AXLE 1 (L.H) | 1 | |
| 26 | 93420-52806-00 | .. CIRCLIP | 4 | |
| 27 | 93306-205X2-00 | .. BEARING | 2 | |
| 28 | JR3-G6514-00-00 | .. HUB, REAR AXLE | 2 | |
| 29 | 90114-12804-00 | ... BOLT, SERRATION | 8 | |
| 30 | 90185-19842-00 | .. NUT, SELF-LOCKING | 2 | |

CONTENTS

| | |
|------------------------|--------|
| ACCELERATOR | B2 |
| BODY | B7-8 |
| BODY 2 | B9 |
| BODY FITTING | B10 |
| BRAKE | A10-11 |
| BRAKE 2 | A12 |
| BRAKE 3 | B1 |
| BUMPER | B6 |
| CARRIER | B11-12 |
| CONTROLLER 1 | C4-5 |
| ELECTRIC MOTOR | C2 |
| ELECTRICAL 1 | C6-7 |
| FRAME | A5 |
| FRONT SUSPENSION WHEEL | A6-7 |
| HEADLIGHT | C3 |
| REAR ARM SUSPENSION | A4 |
| REAR AXLE MOUNT WHEEL | B5 |
| SEAT | C1 |
| STEERING | A8-9 |
| TRANSAXLE | B3-4 |

CONTINUED ON NEXT FRAME ►

TRANSAXLE



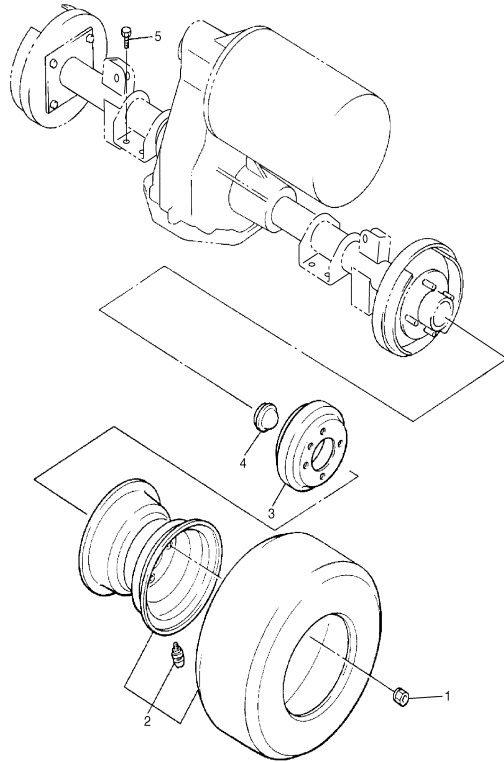
JU61110-C090

| Ref. No. | Part Number | Description | Qty | Remarks |
|----------|-----------------|----------------------------|-----|-------------------|
| 31 | JH7-G5619-00-00 | .CAP | 1 | |
| 32 | JN6-F7280-03-00 | . BACKING PLATE ASSY 1 ... | 1 | SEE BRAKE 3 (R.H) |
| 33 | JN6-F7290-03-00 | . BACKING PLATE ASSY 2 ... | 1 | SEE BRAKE 2 (L.H) |
| 34 | 90101-08855-00 | .BOLT | 8 | |
| 35 | 90170-08841-00 | .NUT | 8 | |

CONTENTS

| | |
|------------------------|--------|
| ACCELERATOR | B2 |
| BODY | B7-8 |
| BODY 2 | B9 |
| BODY FITTING | B10 |
| BRAKE | A10-11 |
| BRAKE 2 | A12 |
| BRAKE 3 | B1 |
| BUMPER | B6 |
| CARRIER | B11-12 |
| CONTROLLER 1 | C4-5 |
| ELECTRIC MOTOR | C2 |
| ELECTRICAL 1 | C6-7 |
| FRAME | A5 |
| FRONT SUSPENSION WHEEL | A6-7 |
| HEADLIGHT | C3 |
| REAR ARM SUSPENSION | A4 |
| REAR AXLE MOUNT WHEEL | B5 |
| SEAT | C1 |
| STEERING | A8-9 |
| TRANSAXLE | B3-4 |

REAR AXLE MOUNT WHEEL



| Ref. No. | Part Number | Description | Qty | Remarks |
|----------|-----------------|-----------------------------|-----|---------|
| 1 | 90179-12262-00 | NUT | 8 | |
| 2 | JR6-F5300-10-00 | WHEEL ASSY (18X8.50-8 6PLY) | 2 | |
| 3 | J55-G6521-10-00 | DRUM | 2 | |
| 4 | JN6-F5118-00-00 | COVER, HUB DUST | 2 | |
| 5 | 9751P-10620-00 | BOLT, WITH WASHER | 8 | |

CONTENTS

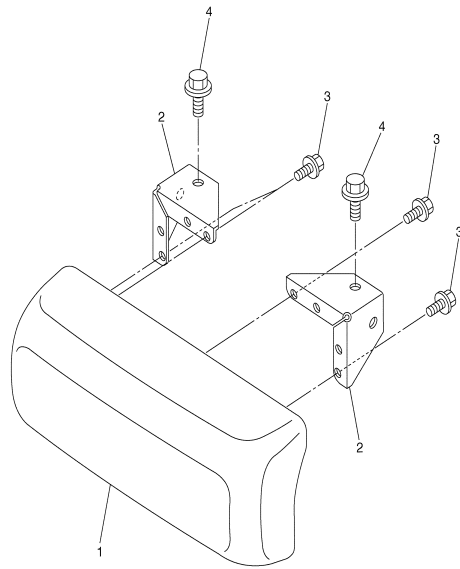
| | |
|------------------------|--------|
| ACCELERATOR | B2 |
| BODY | B7-8 |
| BODY 2 | B9 |
| BODY FITTING | B10 |
| BRAKE | A10-11 |
| BRAKE 2 | A12 |
| BRAKE 3 | B1 |
| BUMPER | B6 |
| CARRIER | B11-12 |
| CONTROLLER 1 | C4-5 |
| ELECTRIC MOTOR | C2 |
| ELECTRICAL 1 | C6-7 |
| FRAME | A5 |
| FRONT SUSPENSION WHEEL | A6-7 |
| HEADLIGHT | C3 |
| REAR ARM SUSPENSION | A4 |
| REAR AXLE MOUNT WHEEL | B5 |
| SEAT | C1 |
| STEERING | A8-9 |
| TRANSAXLE | B3-4 |



JU61110-C100

BUMPER

| Ref. No. | Part Number | Description | Qty | Remarks |
|----------|-----------------|----------------------------|-----|---------|
| 1 | JN3-K7510-02-00 | FRONT BUMPER COMP. | 1 | |
| 2 | JN8-K8164-00-00 | STAY, FRONT BUMPER (L.H) . | 2 | |
| 3 | 90105-06876-00 | BOLT, FLANGE | 4 | |
| 4 | 9581P-08016-00 | BOLT, FLANGE | 2 | |

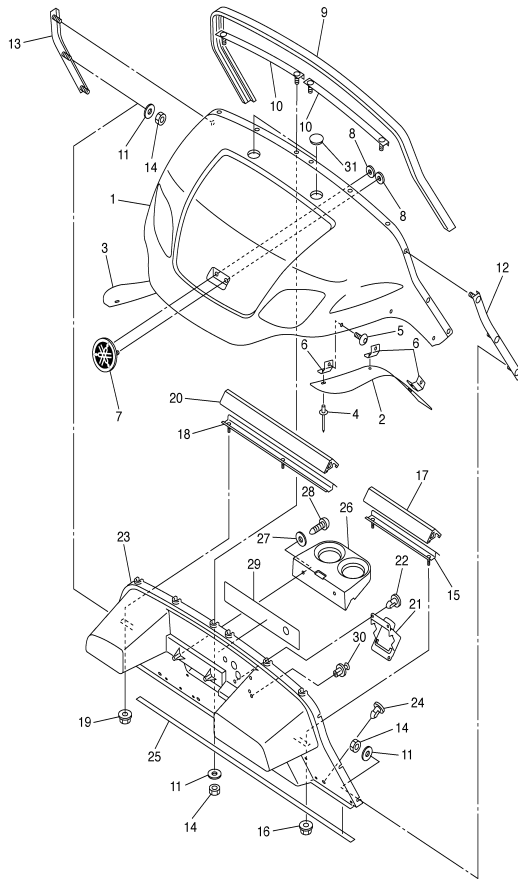


CONTENTS

| | |
|------------------------|--------|
| ACCELERATOR | B2 |
| BODY | B7-8 |
| BODY 2 | B9 |
| BODY FITTING | B10 |
| BRAKE | A10-11 |
| BRAKE 2 | A12 |
| BRAKE 3 | B1 |
| BUMPER | B6 |
| CARRIER | B11-12 |
| CONTROLLER 1 | C4-5 |
| ELECTRIC MOTOR | C2 |
| ELECTRICAL 1 | C6-7 |
| FRAME | A5 |
| FRONT SUSPENSION WHEEL | A6-7 |
| HEADLIGHT | C3 |
| REAR ARM SUSPENSION | A4 |
| REAR AXLE MOUNT WHEEL | B5 |
| SEAT | C1 |
| STEERING | A8-9 |
| TRANSAXLE | B3-4 |



JU51110-C260



NOTE A: WHEN REPLACING " PANEL FRONT JU7-K8114-00-00", YOU SHOULD ALSO REPLACE "LABEL WARNING 1 JU5-K7761-00-00".

BODY

| Ref. No. | Part Number | Description | Qty | Remarks |
|----------|-----------------|---------------------------|-----|------------|
| 1 | JU6-K811A-00-00 | TRIM, UPPER COWL | 1 | |
| 2 | JR6-F1551-00-00 | FENDER, OVER | 1 | |
| 3 | JR6-F1555-00-00 | FENDER, OVER 2 | 1 | |
| 4 | 90267-48831-00 | RIVET, BLIND | 6 | |
| 5 | 90110-06836-00 | BOLT, HEXAGON SOCKET HEAD | 6 | |
| 6 | JR6-F1546-00-00 | STAY, FENDER 3 | 6 | |
| 7 | JU0-F4161-00-00 | EMBLEM 1 | 1 | |
| 8 | JU0-K7573-00-00 | NUT, SPECIAL | 2 | |
| 9 | JF2-K811V-00-00 | PROTECTOR 1 | 1 | |
| 10 | JU0-K8261-00-00 | PLATE, BODY PROTECT 1 | 2 | |
| 11 | 90201-06829-00 | WASHER, PLATE | 10 | |
| 12 | JF2-K8262-01-00 | PLATE, BODY PROTECT 2 | 1 | |
| 13 | JF2-K8263-01-00 | PLATE, BODY PROTECT 3 | 1 | |
| 14 | 90185-06836-00 | NUT, SELF-LOCKING | 10 | |
| 15 | JF2-K8264-00-00 | PLATE, BODY PROTECT 4 | 1 | |
| 16 | 9560P-06200-00 | NUT, FLANGE | 2 | |
| 17 | JF2-K811W-00-00 | PROTECTOR 2 | 1 | |
| 18 | JF2-K8265-00-00 | PLATE, BODY PROTECT 5 | 1 | |
| 19 | 9560P-06200-00 | NUT, FLANGE | 2 | |
| 20 | JF2-K811X-00-00 | PROTECTOR 3 | 1 | |
| 21 | JF2-78273-01-00 | COVER, HOLE | 1 | |
| 22 | 90269-11042-00 | RIVET | 3 | |
| 23 | JU6-K8114-00-00 | PANEL, FRONT | 1 | SEE NOTE A |
| 24 | 90269-08066-00 | RIVET | 3 | |
| 25 | JN3-K815G-00-00 | SEAL, FRONT STORAGE | 1 | |
| 26 | JF2-K835E-00-00 | HOLDER, BEVERAGE | 1 | |
| 27 | 90201-068R6-00 | WASHER, PLATE | 2 | |
| 28 | 9770P-60130-00 | SCREW, TAPPING | 2 | |
| 29 | JU6-K7761-00-00 | LABEL, WARNING 1 | 1 | SEE NOTE A |

CONTENTS

| | |
|------------------------|--------|
| ACCELERATOR | B2 |
| BODY | B7-8 |
| BODY 2 | B9 |
| BODY FITTING | B10 |
| BRAKE | A10-11 |
| BRAKE 2 | A12 |
| BRAKE 3 | B1 |
| BUMPER | B6 |
| CARRIER | B11-12 |
| CONTROLLER 1 | C4-5 |
| ELECTRIC MOTOR | C2 |
| ELECTRICAL 1 | C6-7 |
| FRAME | A5 |
| FRONT SUSPENSION WHEEL | A6-7 |
| HEADLIGHT | C3 |
| REAR ARM SUSPENSION | A4 |
| REAR AXLE MOUNT WHEEL | B5 |
| SEAT | C1 |
| STEERING | A8-9 |
| TRANSAXLE | B3-4 |

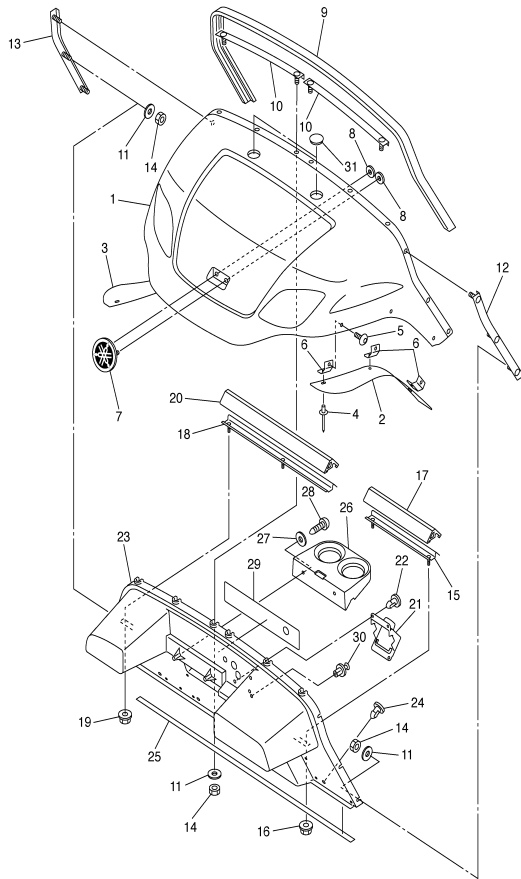
CONTINUED ON NEXT FRAME ►



JU51110-C270

G23-E

B7



NOTE A: WHEN REPLACING " PANEL FRONT JU7-K8114-00-00", YOU SHOULD ALSO REPLACE "LABEL WARNING 1 JU5-K7761-00-00".

BODY

| Ref. No. | Part Number | Description | Qty | Remarks |
|----------|-----------------|---------------------------|-----|---------|
| 30 | 90269-08069-00 | RIVET | 2 | |
| 31 | JN3-K818E-00-00 | CAP, PROTECTOR END 1 | 2 | |

CONTENTS

| | |
|------------------------|--------|
| ACCELERATOR | B2 |
| BODY | B7-8 |
| BODY 2 | B9 |
| BODY FITTING | B10 |
| BRAKE | A10-11 |
| BRAKE 2 | A12 |
| BRAKE 3 | B1 |
| BUMPER | B6 |
| CARRIER | B11-12 |
| CONTROLLER 1 | C4-5 |
| ELECTRIC MOTOR | C2 |
| ELECTRICAL 1 | C6-7 |
| FRAME | A5 |
| FRONT SUSPENSION WHEEL | A6-7 |
| HEADLIGHT | C3 |
| REAR ARM SUSPENSION | A4 |
| REAR AXLE MOUNT WHEEL | B5 |
| SEAT | C1 |
| STEERING | A8-9 |
| TRANSAXLE | B3-4 |



JU51110-C270

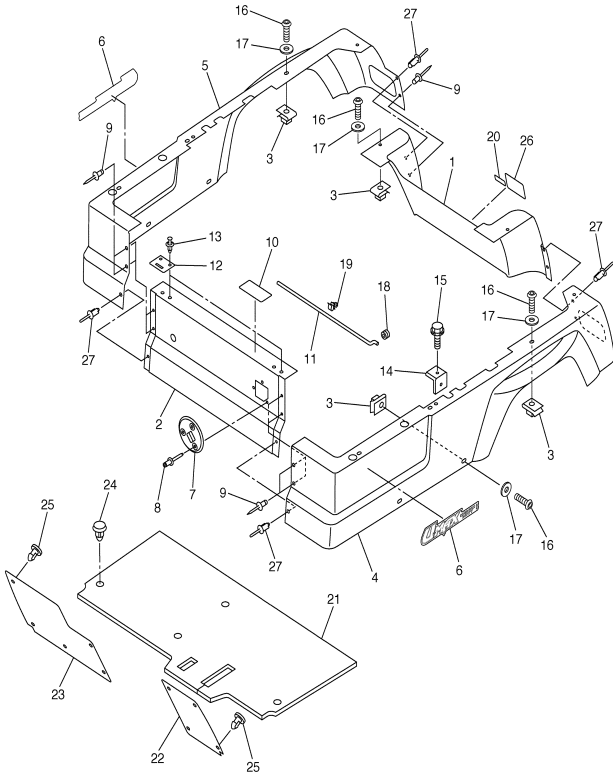
G23-E

BODY 2

| Ref. No. | Part Number | Description | Qty | Remarks |
|----------|-----------------|---------------------------|-----|------------|
| 1 | JU9-K8142-00-00 | PANEL, REAR BODY | 1 | SEE NOTE A |
| 2 | JU6-K8141-00-00 | PANEL, INTERMEDIATE BODY | 1 | SEE NOTE B |
| 3 | 90183-06811-00 | NUT, SPRING | 14 | |
| 4 | JU9-K8111-00-00 | PANEL, BODY SHELL | 1 | |
| 5 | JU9-K8112-00-00 | PANEL, BODY SHELL | 1 | |
| 6 | JU5-F1781-00-00 | EMBLEM 1 | 2 | |
| 7 | JN4-K827A-00-00 | GUIDE 1 | 1 | |
| 8 | 90267-60840-00 | RIVET, BLIND | 3 | |
| 9 | 90267-36853-00 | RIVET, BLIND | 6 | |
| 10 | JU6-K7765-00-00 | LABEL, WARNING 5 | 1 | SEE NOTE B |
| 11 | JJ3-K8226-00-00 | ROD, SEAT STOPPER | 1 | |
| 12 | JJ3-K8427-01-00 | HINGE, SEAT 2 | 2 | |
| 13 | 90267-64834-00 | RIVET, BLIND | 4 | |
| 14 | JJ3-K814H-00-00 | HOOK, BODY LOCK | 2 | |
| 15 | 90119-08800-00 | BOLT, WITH WASHER | 2 | |
| 16 | 90110-06836-00 | BOLT, HEXAGON SOCKET HEAD | 14 | |
| 17 | 90201-068R6-00 | WASHER, PLATE | 14 | |
| 18 | 90480-13018-00 | GROMMET | 1 | |
| 19 | 90464-10814-00 | CLAMP | 1 | |
| 20 | JJ3-K7765-00-00 | LABEL, WARNING 5 | 1 | SEE NOTE A |
| 21 | JN6-K8233-01-00 | MAT, MAIN FLOOR 3 | 1 | |
| 22 | JN6-K8231-01-00 | MAT, MAIN FLOOR 1 | 1 | |
| 23 | JN6-K8232-01-00 | MAT, MAIN FLOOR 2 | 1 | |
| 24 | 90269-08813-00 | RIVET | 4 | |
| 25 | 90267-63047-00 | RIVET, BLIND | 9 | |
| 26 | JU5-K7768-00-00 | LABEL, WARNING | 1 | SEE NOTE A |
| 27 | 90267-62841-00 | RIVET, BLIND | 4 | |

CONTENTS

| | |
|------------------------|--------|
| ACCELERATOR | B2 |
| BODY | B7-8 |
| BODY 2 | B9 |
| BODY FITTING | B10 |
| BRAKE | A10-11 |
| BRAKE 2 | A12 |
| BRAKE 3 | B1 |
| BUMPER | B6 |
| CARRIER | B11-12 |
| CONTROLLER 1 | C4-5 |
| ELECTRIC MOTOR | C2 |
| ELECTRICAL 1 | C6-7 |
| FRAME | A5 |
| FRONT SUSPENSION WHEEL | A6-7 |
| HEADLIGHT | C3 |
| REAR ARM SUSPENSION | A4 |
| REAR AXLE MOUNT WHEEL | B5 |
| SEAT | C1 |
| STEERING | A8-9 |
| TRANSAXLE | B3-4 |

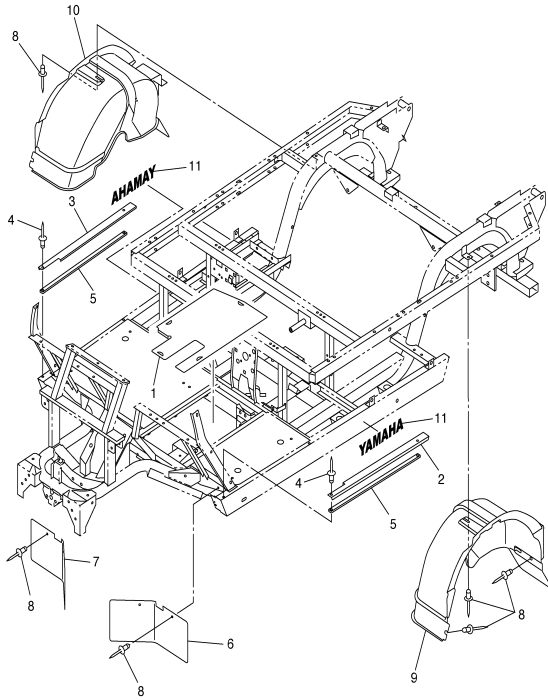


NOTE A: WHEN REPLACING "PANEL REAR BODY JU9-K8142-00-00", YOU MUST ALSO REPLACE "LABEL WARNING 5 JJ3-K7765-00-00", AND "LABEL WARNING JU5-K7768-00-00".

NOTE B: WHEN REPLACING "PANEL INTERMEDIATE BODY JU6-K8141-00-00", YOU MUST ALSO REPLACE "LABEL WARNING 5 JU6-K7765-00-00".



JU61110-C130



BODY FITTING

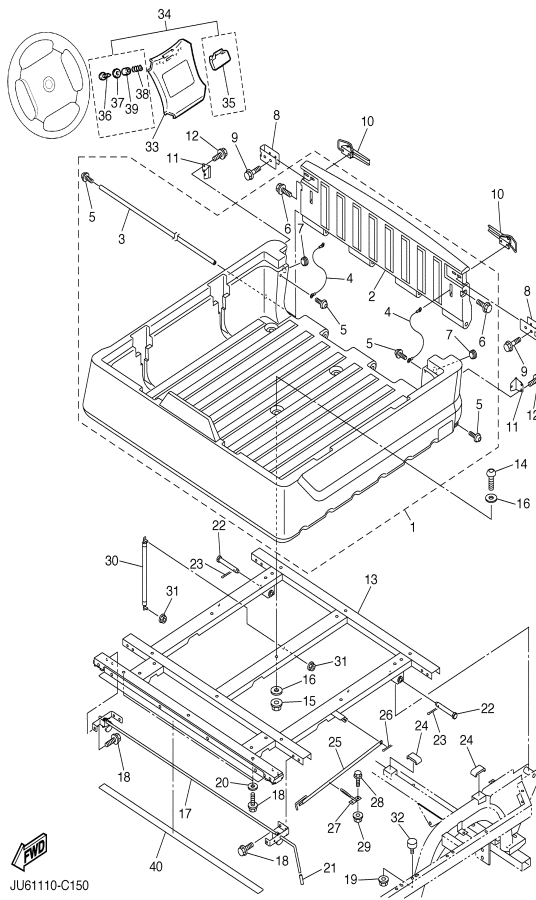
| Ref. No. | Part Number | Description | Qty | Remarks |
|----------|-----------------|--------------------------|-----|---------|
| 1 | JN6-K8271-00-00 | SERVICE LID, PEDAL | 1 | |
| 2 | JF2-K8215-10-00 | PLATE, SIDE TRIM | 1 | |
| 3 | JF2-K821F-10-00 | PLATE, SIDE TRIM | 1 | |
| 4 | 90267-48154-00 | RIVET, BLIND | 4 | |
| 5 | JJ3-K8124-00-00 | REINFORCEMENT 4 | 2 | |
| 6 | JF2-K8187-00-00 | FLAP, FRONT FENDER (L.H) | 1 | |
| 7 | JF2-K8189-00-00 | FLAP, FRONT FENDER (R.H) | 1 | |
| 8 | 90267-48831-00 | RIVET, BLIND | 10 | |
| 9 | JJ3-K8191-00-00 | PANEL, REAR FENDER 1 | 1 | |
| 10 | JJ3-K8192-00-00 | PANEL, REAR FENDER 2 | 1 | |
| 11 | JW5-F153A-00-00 | EMBLEM, YAMAHA | 2 | |

CONTENTS

| | |
|------------------------|--------|
| ACCELERATOR | B2 |
| BODY | B7-8 |
| BODY 2 | B9 |
| BODY FITTING | B10 |
| BRAKE | A10-11 |
| BRAKE 2 | A12 |
| BRAKE 3 | B1 |
| BUMPER | B6 |
| CARRIER | B11-12 |
| CONTROLLER 1 | C4-5 |
| ELECTRIC MOTOR | C2 |
| ELECTRICAL 1 | C6-7 |
| FRAME | A5 |
| FRONT SUSPENSION WHEEL | A6-7 |
| HEADLIGHT | C3 |
| REAR ARM SUSPENSION | A4 |
| REAR AXLE MOUNT WHEEL | B5 |
| SEAT | C1 |
| STEERING | A8-9 |
| TRANSAXLE | B3-4 |



JW51110-C290



CARRIER

| Ref. No. | Part Number | Description | Qty | Remarks |
|----------|-----------------|--------------------------------------|-----|---------|
| 1 | JU9-K810M-00-00 | REAR STORAGE BOX COMP. | 1 | |
| 2 | JU9-K819K-00-00 | . . SHELL, RR. STORAGE LID | 1 | |
| 3 | JU9-K8564-00-00 | . . PIN, HINGE | 1 | |
| 4 | JU9-K7195-00-00 | . . HOLDER, CABLE | 2 | |
| 5 | JU9-K6179-00-00 | . . BOLT, SPECIAL 1 | 4 | |
| 6 | JU9-K6189-00-00 | . . BOLT, SPECIAL 2 | 2 | |
| 7 | JU9-K7739-10-00 | . . DAMPER, LID | 2 | |
| 8 | JU9-K7171-00-00 | BODY, LATCH 1 | 2 | |
| 9 | JU9-K8384-00-00 | BOLT | 4 | |
| 10 | 5UG-F389E-00-00 | .LATCH | 2 | |
| 11 | JU9-K7172-00-00 | BODY, LATCH 2 | 2 | |
| 12 | 90119-06830-00 | BOLT, WITH WASHER | 6 | |
| 13 | JU9-K818N-00-00 | BED, BOX | 1 | |
| 14 | 92017-10035-00 | BOLT, BUTTON HEAD | 7 | |
| 15 | 9560P-10200-00 | NUT, FLANGE | 7 | |
| 16 | 90201-10144-00 | WASHER, PLATE | 12 | |
| 17 | JU9-K8380-01-00 | LOCK ASSY | 1 | |
| 18 | 9582P-08020-00 | BOLT, FLANGE | 8 | |
| 19 | 9560P-08200-00 | NUT | 2 | |
| 20 | 90201-088P7-00 | WASHER, PLATE | 2 | |
| 21 | JJ3-K818M-00-00 | CAP, PROTECTOR END 4 | 1 | |
| 22 | 90240-13801-00 | PIN, CLEVIS | 2 | |
| 23 | 91401-30025-00 | PIN, SPLIT | 2 | |
| 24 | JJ3-K815H-01-00 | DAMPER, LOCK | 3 | |
| 25 | JU5-K8158-00-00 | ROD, INSPECTION LID | 1 | |
| 26 | 91401-20020-00 | PIN, COTTER | 1 | |
| 27 | JJ3-K8369-00-00 | PIN, LEVER | 1 | |
| 28 | 90119-06830-00 | BOLT, WITH WASHER | 2 | |
| 29 | 9560P-06200-00 | NUT, FLANGE | 2 | |
| 30 | JJ3-K7588-00-00 | DAMPER | 1 | |

CONTENTS

| | |
|------------------------|--------|
| ACCELERATOR | B2 |
| BODY | B7-8 |
| BODY 2 | B9 |
| BODY FITTING | B10 |
| BRAKE | A10-11 |
| BRAKE 2 | A12 |
| BRAKE 3 | B1 |
| BUMPER | B6 |
| CARRIER | B11-12 |
| CONTROLLER 1 | C4-5 |
| ELECTRIC MOTOR | C2 |
| ELECTRICAL 1 | C6-7 |
| FRAME | A5 |
| FRONT SUSPENSION WHEEL | A6-7 |
| HEADLIGHT | C3 |
| REAR ARM SUSPENSION | A4 |
| REAR AXLE MOUNT WHEEL | B5 |
| SEAT | C1 |
| STEERING | A8-9 |
| TRANSAXLE | B3-4 |

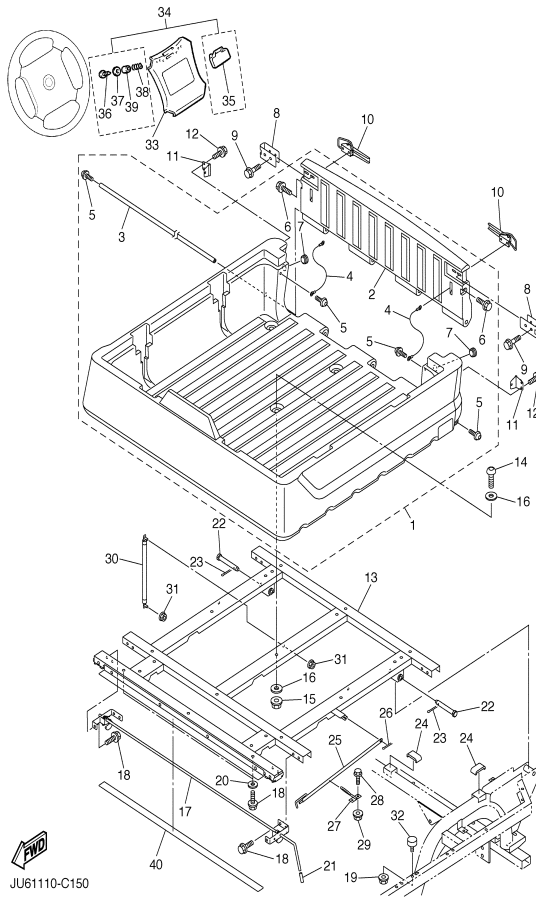
CONTINUED ON NEXT FRAME ►

CARRIER

| Ref. No. | Part Number | Description | Qty | Remarks |
|----------|-----------------|--------------------------|-----|---------|
| 31 | 9560P-08200-00 | NUT | 2 | |
| 32 | JU5-K8167-00-00 | BUMPER, RUBBER 1 | 2 | |
| 33 | JN3-K8357-00-00 | HOLDER 1 | 1 | |
| 34 | JN6-W001D-00-00 | SCORE CARD HOLDER KIT .. | 1 | |
| 35 | JN6-K8358-01-00 | ..HOLDER 2 | 1 | |
| 36 | 97707-40525-00 | ..SCREW, TAPPING | 2 | |
| 37 | 90201-048R5-00 | ..WASHER, PLATE | 2 | |
| 38 | 90502-10013-00 | ..SPRING, CONICAL | 2 | |
| 39 | 90387-046N7-00 | ..COLLAR | 2 | |
| 40 | JU6-K7319-00-00 | DAMPER 1 | 1 | |

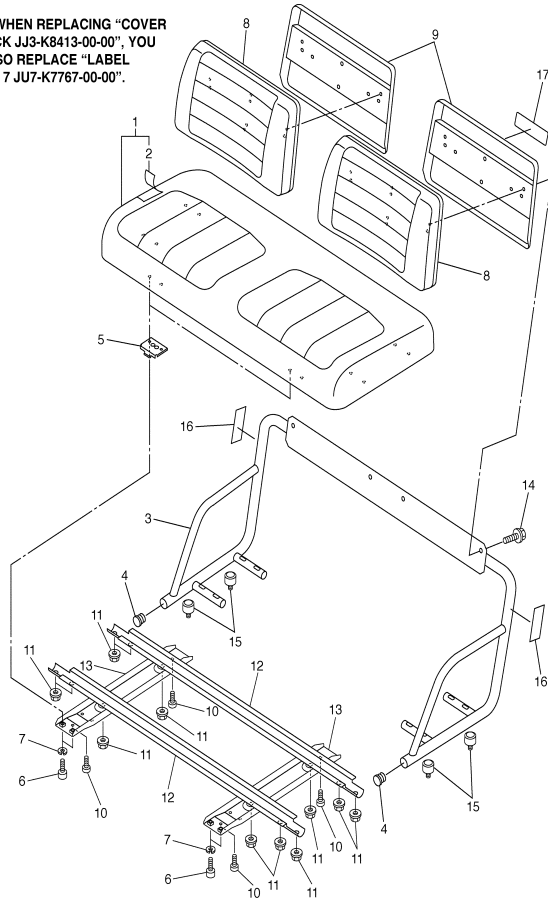
CONTENTS

| | |
|------------------------|--------|
| ACCELERATOR | B2 |
| BODY | B7-8 |
| BODY 2 | B9 |
| BODY FITTING | B10 |
| BRAKE | A10-11 |
| BRAKE 2 | A12 |
| BRAKE 3 | B1 |
| BUMPER | B6 |
| CARRIER | B11-12 |
| CONTROLLER 1 | C4-5 |
| ELECTRIC MOTOR | C2 |
| ELECTRICAL 1 | C6-7 |
| FRAME | A5 |
| FRONT SUSPENSION WHEEL | A6-7 |
| HEADLIGHT | C3 |
| REAR ARM SUSPENSION | A4 |
| REAR AXLE MOUNT WHEEL | B5 |
| SEAT | C1 |
| STEERING | A8-9 |
| TRANSAXLE | B3-4 |



B12

NOTE B: WHEN REPLACING "COVER SEAT BACK JJ3-K8413-00-00", YOU MUST ALSO REPLACE "LABEL WARNING 7 JU7-K7767-00-00".



NOTE A: WHEN REPLACING "SEAT ASSY 2 JU9-K8420-00-00", YOU MUST ALSO REPLACE "LABEL WARNING 4 5UG-K7764-00-00".

SEAT

| Ref. No. | Part Number | Description | Qty | Remarks |
|----------|-----------------|------------------------|-----|------------|
| 1 | JU9-K8401-00-00 | SEAT SUB-ASSY, CUSHION | 1 | |
| 2 | JU9-K8404-00-00 | . COVER, SEAT | 1 | |
| 3 | JU9-K8420-00-00 | SEAT ASSY 2 | 1 | SEE NOTE A |
| 4 | JU7-F111A-00-00 | CAP, MAIN PIPE | 2 | |
| 5 | JN3-K8426-01-00 | HINGE, SEAT 1 | 2 | |
| 6 | 90111-06810-00 | BOLT | 4 | |
| 7 | 90204-06807-00 | WASHER, SPRING | 4 | |
| 8 | JU7-K8402-00-00 | SEAT SUB ASSY, BACK | 2 | |
| 9 | JJ3-K8413-10-00 | COVER, SEAT BACK | 2 | SEE NOTE B |
| 10 | 90167-04815-00 | SCREW, TAPPING | 4 | |
| 11 | 9560P-08200-00 | NUT | 12 | |
| 12 | JN6-K8121-00-00 | REINFORCEMENT 1 | 2 | |
| 13 | JN6-K8122-02-00 | REINFORCEMENT 2 | 2 | |
| 14 | 90119-06837-00 | BOLT, WITH WASHER | 4 | |
| 15 | JU5-K8167-00-00 | BUMPER, RUBBER 1 | 4 | |
| 16 | 5UG-K7764-00-00 | LABEL, WARNING 4 | 2 | SEE NOTE A |
| 17 | JU7-K7767-00-00 | LABEL, WARNING 7 | 1 | SEE NOTE B |

CONTENTS

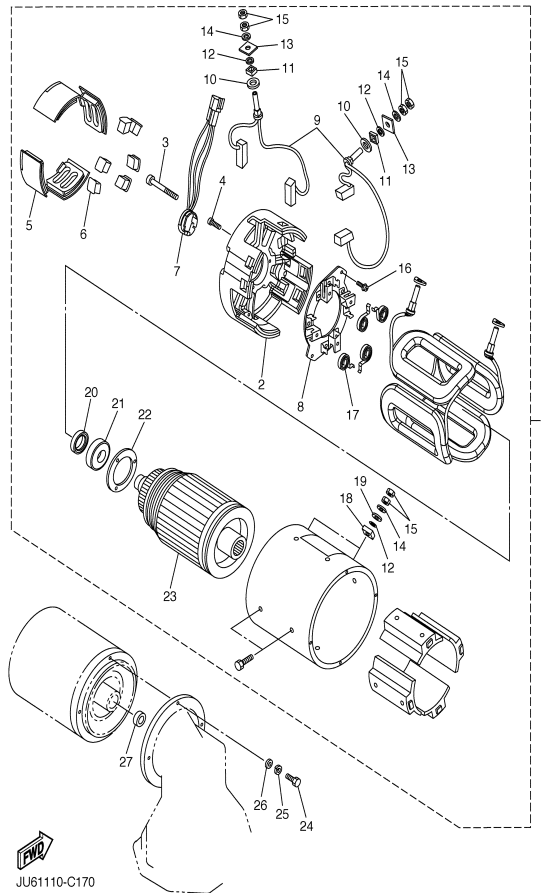
| | |
|------------------------|--------|
| ACCELERATOR | B2 |
| BODY | B7-8 |
| BODY FITTING | B9 |
| BRAKE | A10-11 |
| BRAKE 2 | A12 |
| BRAKE 3 | B1 |
| BUMPER | B6 |
| CARRIER | B11-12 |
| CONTROLLER 1 | C4-5 |
| ELECTRIC MOTOR | C2 |
| ELECTRICAL 1 | C6-7 |
| FRAME | A5 |
| FRONT SUSPENSION WHEEL | A6-7 |
| HEADLIGHT | C3 |
| REAR ARM SUSPENSION | A4 |
| REAR AXLE MOUNT WHEEL | B5 |
| SEAT | C1 |
| STEERING | A8-9 |
| TRANSAXLE | B3-4 |



JW51110-C310

G23-E

C1



ELECTRIC MOTOR

| Ref. No. | Part Number | Description | Qty | Remarks |
|----------|-----------------|----------------------|-----|---------|
| 1 | JU6-H1890-00-00 | MOTOR ASSY | 1 | |
| 2 | JU6-H183J-00-00 | .BRACKET, FRONT | 1 | |
| 3 | JU6-H1828-00-00 | .BOLT 2 | 2 | |
| 4 | JU6-H1846-00-00 | .SCREW | 3 | |
| 5 | JU6-H1129-00-00 | .COVER, BRUSH | 4 | |
| 6 | JU6-H1139-00-00 | .COVER, BRUSH 2 | 6 | |
| 7 | JU6-H1670-00-00 | .PICK-UP ASSY | 1 | |
| 8 | JU6-H1840-00-00 | .BRUSH HOLDER ASSY | 1 | |
| 9 | JU6-H1801-00-00 | .BRUSH SET | 1 | |
| 10 | J56-H1824-00-00 | .WASHER 2 | 2 | |
| 11 | J56-H182G-00-00 | .BUSH, TERMINAL | 2 | |
| 12 | J56-H1847-00-00 | .O-RING | 2 | |
| 13 | J56-H1843-00-00 | .WASHER 1 | 2 | |
| 14 | J56-H181L-00-00 | .WASHER, PLAIN | 2 | |
| 15 | JU6-H1872-00-00 | .NUT, SPECIAL | 8 | |
| 16 | JU6-H1848-00-00 | .SCREW, BRUSH HOLDER | 2 | |
| 17 | JU2-H1617-00-00 | .SPRING, BRUSH | 1 | |
| 18 | JU6-H1824-00-00 | .WASHER 2 | 2 | |
| 19 | JU6-H1843-00-00 | .WASHER 1 | 2 | |
| 20 | JU6-H181K-00-00 | .MAGNET | 1 | |
| 21 | JU6-H185B-00-00 | .BEARING 1 | 1 | |
| 22 | JU6-H1856-00-00 | .RETAINER | 1 | |
| 23 | JU6-H1850-00-00 | .ARMATURE ASSY | 1 | |
| 24 | 90101-06857-00 | BOLT | 3 | |
| 25 | 90215-06811-00 | WASHER, LOCK | 3 | |
| 26 | 90201-068E2-00 | WASHER, PLATE | 3 | |
| 27 | JH7-H1829-00-00 | GROMMET | 1 | |

CONTENTS

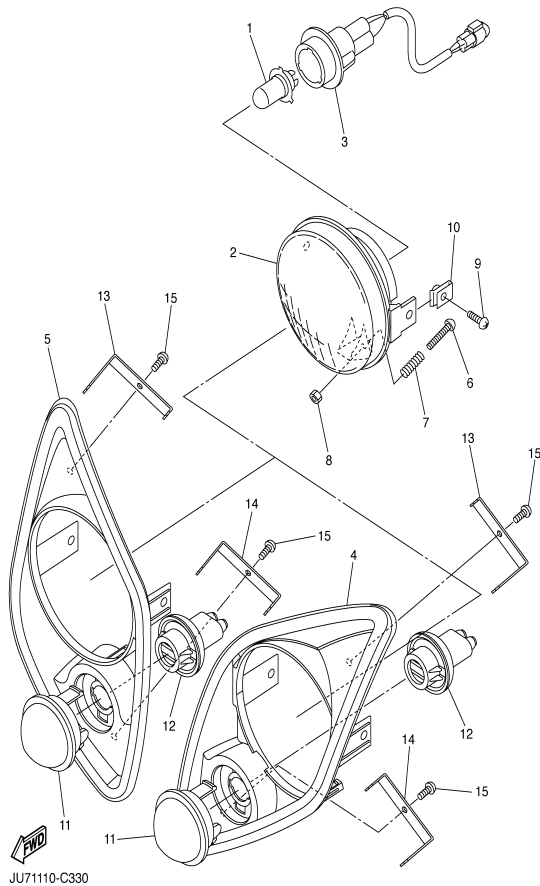
| | |
|------------------------|--------|
| ACCELERATOR | B2 |
| BODY | B7-8 |
| BODY 2 | B9 |
| BODY FITTING | B10 |
| BRAKE | A10-11 |
| BRAKE 2 | A12 |
| BRAKE 3 | B1 |
| BUMPER | B6 |
| CARRIER | B11-12 |
| CONTROLLER 1 | C4-5 |
| ELECTRIC MOTOR | C2 |
| ELECTRICAL 1 | C6-7 |
| FRAME | A5 |
| FRONT SUSPENSION WHEEL | A6-7 |
| HEADLIGHT | C3 |
| REAR ARM SUSPENSION | A4 |
| REAR AXLE MOUNT WHEEL | B5 |
| SEAT | C1 |
| STEERING | A8-9 |
| TRANSAXLE | B3-4 |

HEADLIGHT

| Ref. No. | Part Number | Description | Qty | Remarks |
|----------|-----------------|------------------------------|-----|---------|
| 1 | 5FU-H4314-00-00 | BULB, HEADLIGHT (12V-30/30W) | 2 | |
| 2 | 5FU-H4320-00-00 | LENS ASSY | 2 | |
| 3 | 5FU-H4340-00-00 | SOCKET CORD ASSY 1 | 2 | |
| 4 | JU7-H411T-00-00 | HOLDER, 1 | 1 | LH |
| 5 | JU7-H411U-00-00 | HOLDER, 2 | 1 | RH |
| 6 | 98507-03540-00 | SCREW, PAN HEAD | 2 | |
| 7 | 90501-10060-00 | SPRING, COMPRESSION | 2 | |
| 8 | 2GU-84334-00-00 | NUT, ADJUSTING | 2 | |
| 9 | 90150-05802-00 | SCREW, ROUND HEAD | 4 | |
| 10 | 90183-05008-00 | NUT, SPRING | 4 | |
| 11 | JU7-H5415-00-00 | MARK, SIGNAL LAMP | 2 | |
| 12 | JU7-H3547-00-00 | COVER, SOCKET | 2 | |
| 13 | JU7-H4118-01-00 | STAY, HEADLIGHT 1 | 2 | |
| 14 | JU7-H4119-01-00 | STAY, HEADLIGHT 2 | 2 | |
| 15 | 97707-40112-00 | SCREW, TAPPING | 4 | |

CONTENTS

| | |
|------------------------|--------|
| ACCELERATOR | B2 |
| BODY | B7-8 |
| BODY 2 | B9 |
| BODY FITTING | B10 |
| BRAKE | A10-11 |
| BRAKE 2 | A12 |
| BRAKE 3 | B1 |
| BUMPER | B6 |
| CARRIER | B11-12 |
| CONTROLLER 1 | C4-5 |
| ELECTRIC MOTOR | C2 |
| ELECTRICAL 1 | C6-7 |
| FRAME | A5 |
| FRONT SUSPENSION WHEEL | A6-7 |
| HEADLIGHT | C3 |
| REAR ARM SUSPENSION | A4 |
| REAR AXLE MOUNT WHEEL | B5 |
| SEAT | C1 |
| STEERING | A8-9 |
| TRANSAXLE | B3-4 |

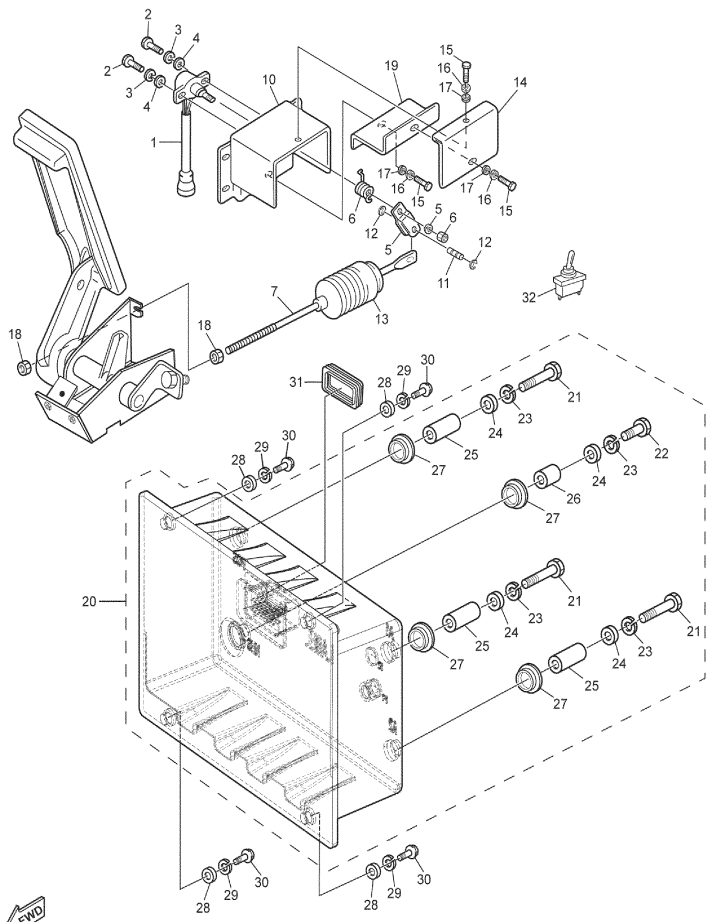


CONTROLLER 1

| Ref. No. | Part Number | Description | Qty | Remarks |
|----------|-----------------|--------------------------|-----|---------|
| 1 | JR1-85885-00-00 | THROTTLE SENSOR ASSY ... | 1 | |
| 2 | 98507-05016-00 | SCREW, PAN HEAD | 3 | |
| 3 | 92907-05100-00 | WASHER, SPRING | 3 | |
| 4 | 92907-05600-00 | WASHER, PLATE | 3 | |
| 5 | JF3-2625H-00-00 | ARM, THROTTLE | 1 | |
| 6 | JF3-27825-00-00 | SPRING, RETURN | 1 | |
| 7 | JU2-F7241-00-00 | ROD, JOINT | 1 | |
| 8 | 9290P-06100-00 | WASHER | 1 | |
| 9 | 95307-06600-00 | NUT | 1 | |
| 10 | JF3-27981-00-00 | BRACKET, THROTTLE | 1 | |
| 11 | JF3-27813-00-00 | PIN, PEDAL CRANK | 1 | |
| 12 | 99001-04600-00 | CIRCLIP | 2 | |
| 13 | JN4-F7486-00-00 | COVER 1 | 1 | |
| 14 | JF3-27487-00-00 | COVER 2 | 1 | |
| 15 | 97007-05016-00 | BOLT | 6 | |
| 16 | 92907-05100-00 | WASHER, SPRING | 6 | |
| 17 | 92907-05600-00 | WASHER, PLATE | 6 | |
| 18 | 95307-08700-00 | NUT | 2 | |
| 19 | JF3-27445-00-00 | PLATE 1 | 1 | |
| 20 | JU6-H6510-00-00 | MOTOR CONTROL UNIT ASSY | 1 | |
| 21 | JU2-H332G-00-00 | . .BOLT, SPECIAL 1 | 3 | |
| 22 | JU2-H332H-00-00 | . .BOLT, SPECIAL 2 | 1 | |
| 23 | JU2-H2534-00-00 | . WASHER, LOCK | 4 | |
| 24 | JU2-H2558-00-00 | . .WASHER | 4 | |
| 25 | JU2-H252S-00-00 | SPACER, 1 | 3 | |
| 26 | JU2-H253S-00-00 | SPACER, 2 | 1 | |
| 27 | JU2-H6115-00-00 | GROMMET | 4 | |
| 28 | 92907-06600-00 | WASHER, PLATE | 4 | |
| 29 | 92907-06100-00 | WASHER, SPRING | 4 | |
| 30 | 97007-06020-00 | BOLT | 4 | |

CONTENTS

| | |
|------------------------|--------|
| ACCELERATOR | B2 |
| BODY | B7-8 |
| BODY 2 | B9 |
| BODY FITTING | B10 |
| BRAKE | A10-11 |
| BRAKE 2 | A12 |
| BRAKE 3 | B1 |
| BUMPER | B6 |
| CARRIER | B11-12 |
| CONTROLLER 1 | C4-5 |
| ELECTRIC MOTOR | C2 |
| ELECTRICAL 1 | C6-7 |
| FRAME | A5 |
| FRONT SUSPENSION WHEEL | A6-7 |
| HEADLIGHT | C3 |
| REAR ARM SUSPENSION | A4 |
| REAR AXLE MOUNT WHEEL | B5 |
| SEAT | C1 |
| STEERING | A8-9 |
| TRANSAXLE | B3-4 |



JU6100-5191

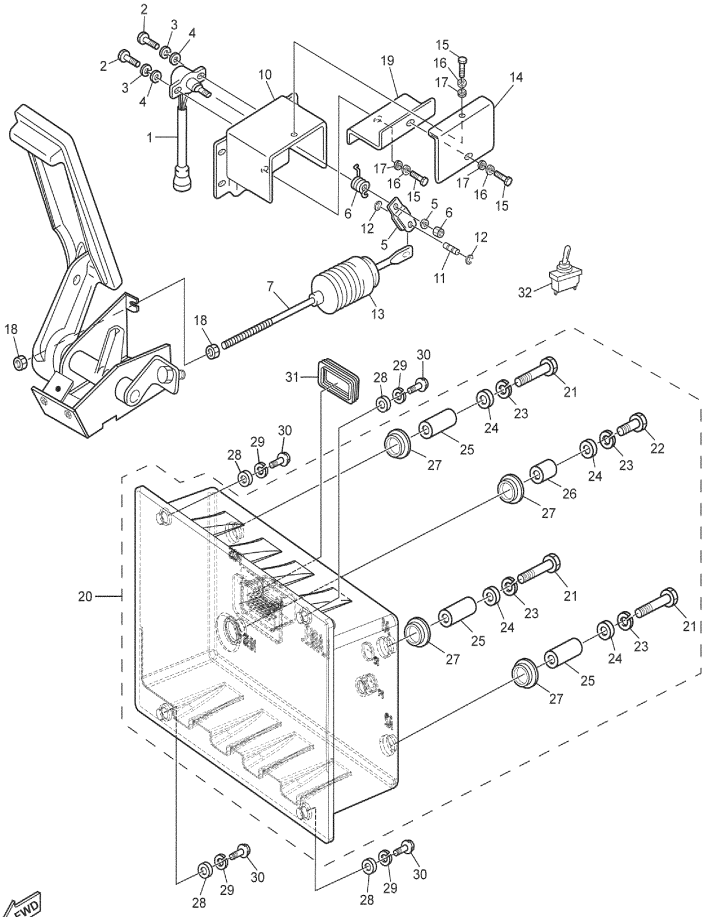
CONTINUED ON NEXT FRAME ►

CONTROLLER 1

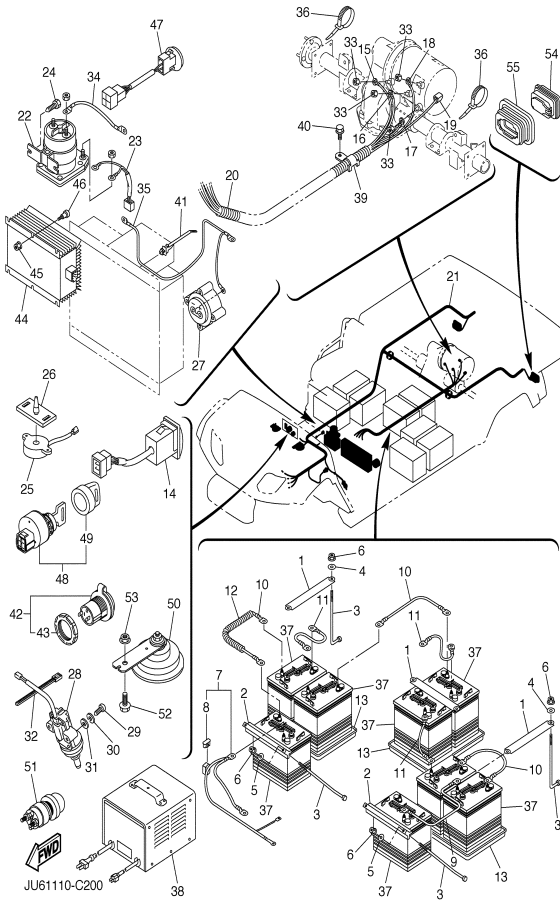
| Ref. No. | Part Number | Description | Qty | Remarks |
|----------|-----------------|-----------------------------|-----|---------|
| 31 | JR1-H215D-00-00 | SEAL MCU, CANNON PLUG . . . | 1 | |
| 32 | JR1-H2727-00-00 | SWITCH | 1 | |

CONTENTS

| | |
|------------------------|--------|
| ACCELERATOR | B2 |
| BODY | B7-8 |
| BODY 2 | B9 |
| BODY FITTING | B10 |
| BRAKE | A10-11 |
| BRAKE 2 | A12 |
| BRAKE 3 | B1 |
| BUMPER | B6 |
| CARRIER | B11-12 |
| CONTROLLER 1 | C4-5 |
| ELECTRIC MOTOR | C2 |
| ELECTRICAL 1 | C6-7 |
| FRAME | A5 |
| FRONT SUSPENSION WHEEL | A6-7 |
| HEADLIGHT | C3 |
| REAR ARM SUSPENSION | A4 |
| REAR AXLE MOUNT WHEEL | B5 |
| SEAT | C1 |
| STEERING | A8-9 |
| TRANSAXLE | B3-4 |



JU6100-5191



ELECTRICAL 1

| Ref. No. | Part Number | Description | Qty | Remarks |
|----------|-----------------|----------------------------|-----|---------|
| 1 | JF3-H2136-00-00 | PLATE, BATTERY FITTING ... | 3 | |
| 2 | J55-H2136-00-00 | PLATE, BATTERY FITTING ... | 2 | |
| 3 | JN4-H2133-00-00 | SCREW, FITTING | 10 | |
| 4 | 90201-068R7-00 | WASHER, PLATE | 6 | |
| 5 | 9290P-06200-00 | WASHER | 4 | |
| 6 | 95707-06500-00 | NUT, FLANGE | 10 | |
| 7 | JU6-H2115-00-00 | WIRE, PLUS LEAD | 1 | |
| 8 | JN6-H2151-00-00 | . . FUSE (10 A) | 1 | |
| 9 | JU6-H2148-00-00 | WIRE, LEAD 4 | 1 | |
| 10 | JU6-H2127-00-00 | WIRE, LEAD 2 | 3 | |
| 11 | JU6-H2149-00-00 | WIRE, LEAD 3 | 3 | |
| 12 | JU6-H7197-00-00 | TUBE 2 | 1 | |
| 13 | J56-H2123-00-00 | SEAT, BATTERY | 3 | |
| 14 | JR1-H2917-10-00 | SWITCH | 1 | |
| 15 | JU6-H2521-00-00 | WIRE, LEAD | 1 | |
| 16 | JU6-H2531-00-00 | WIRE, LEAD | 1 | |
| 17 | JU6-H6171-00-00 | WIRE, LEAD 1 | 1 | |
| 18 | JU6-H6172-00-00 | WIRE, LEAD 2 | 1 | |
| 19 | JU6-H2386-00-00 | EXTENSION, WIRE HARNESS . | 1 | |
| 20 | JU6-H7196-00-00 | TUBE 1 | 1 | |
| 21 | JU6-H2590-01-00 | WIRE HARNESS ASSY | 1 | |
| 22 | JU6-H1950-00-00 | RELAY ASSY | 1 | |
| 23 | JN6-H2105-00-00 | WIRE HARNESS | 1 | |
| 24 | 90163-06005-00 | SCREW, TAPPING | 2 | |
| 25 | JR1-H3383-01-00 | BUZZER | 1 | |
| 26 | JN6-H3386-01-00 | STAY, BUZZER | 1 | |
| 27 | JR1-H6181-02-00 | RECEPTACLE | 1 | |
| 28 | JF7-82817-20-00 | SWITCH | 1 | |
| 29 | 98507-05025-00 | SCREW, PAN HEAD | 2 | |
| 30 | 92907-05100-00 | WASHER, SPRING | 2 | |

CONTENTS

| | |
|------------------------|--------|
| ACCELERATOR | B2 |
| BODY | B7-8 |
| BODY 2 | B9 |
| BODY FITTING | B10 |
| BRAKE | A10-11 |
| BRAKE 2 | A12 |
| BRAKE 3 | B1 |
| BUMPER | B6 |
| CARRIER | B11-12 |
| CONTROLLER 1 | C4-5 |
| ELECTRIC MOTOR | C2 |
| ELECTRICAL 1 | C6-7 |
| FRAME | A5 |
| FRONT SUSPENSION WHEEL | A6-7 |
| HEADLIGHT | C3 |
| REAR ARM SUSPENSION | A4 |
| REAR AXLE MOUNT WHEEL | B5 |
| SEAT | C1 |
| STEERING | A8-9 |
| TRANSAXLE | B3-4 |

CONTINUED ON NEXT FRAME ►

ELECTRICAL 1

| Ref. No. | Part Number | Description | Qty | Remarks |
|----------|-----------------|------------------------|-----|---------|
| 31 | 92907-05600-00 | WASHER, PLATE | 2 | |
| 32 | 90464-40825-00 | CLAMP | 4 | |
| 33 | JG6-H1872-00-00 | NUT, SPECIAL | 4 | |
| 34 | JU6-H6527-00-00 | WIRE 7 | 1 | |
| 35 | JU6-H6521-00-00 | WIRE 1 | 1 | |
| 36 | 90464-14806-00 | CLAMP | 7 | |
| 37 | JN8-H2110-40-00 | BATTERY ASSY | 8 | LM |
| 38 | JR1-H2107-03-00 | CHARGER, BATTERY | 1 | |
| 39 | 90462-20186-00 | CLAMP | 3 | |
| 40 | 90105-06876-00 | BOLT, FLANGE | 3 | |
| 41 | 90464-25800-00 | CLAMP | 1 | |
| 42 | 5FU-H1920-10-00 | TERMINAL ASSY | 1 | |
| 43 | 5FU-H191B-10-00 | .NUT | 1 | |
| 44 | JU6-H1910-00-00 | VOLTAGE REGULATOR ASSY | 1 | |
| 45 | 95707-05300-00 | NUT, FLANGE | 4 | |
| 46 | 90111-05801-00 | BOLT | 4 | |
| 47 | JU2-HA2F0-00-00 | TRANSMITTER UNIT | 1 | |
| 48 | JU6-H2510-00-00 | MAIN SWITCH ASSY | 1 | |
| 49 | 5UG-H2579-00-00 | .CAP, KEY | 1 | |
| 50 | 4LR-83371-10-00 | HORN | 1 | |
| 51 | JR6-H270X-00-00 | SWITCH | 1 | |
| 52 | 9582P-06016-00 | BOLT, FLANGE | 1 | |
| 53 | 95707-06500-00 | NUT, FLANGE | 1 | |
| 54 | JN3-H4700-00-00 | TAILLIGHT ASSY | 2 | |
| 55 | JN3-H4718-00-00 | GROMMET | 2 | |

CONTENTS

| | |
|------------------------|--------|
| ACCELERATOR | B2 |
| BODY | B7-8 |
| BODY 2 | B9 |
| BODY FITTING | B10 |
| BRAKE | A10-11 |
| BRAKE 2 | A12 |
| BRAKE 3 | B1 |
| BUMPER | B6 |
| CARRIER | B11-12 |
| CONTROLLER 1 | C4-5 |
| ELECTRIC MOTOR | C2 |
| ELECTRICAL 1 | C6-7 |
| FRAME | A5 |
| FRONT SUSPENSION WHEEL | A6-7 |
| HEADLIGHT | C3 |
| REAR ARM SUSPENSION | A4 |
| REAR AXLE MOUNT WHEEL | B5 |
| SEAT | C1 |
| STEERING | A8-9 |
| TRANSAXLE | B3-4 |

