



PARTS CATALOGUE

YDRA3 (JW15) CANADA,EUROPE,OTHERS



2011-3-7

1JJW1-100E1

()

NEWS No.	DATE	COMMENT
PE0-GC-110001	Mar.,7,2011	MOD: FIG.14 LIST MODIFICATION

YDRA3
PARTS CATALOGUE
©2009 by Yamaha Motor Co., Ltd.
1st edition, July 2009
All rights reserved.
Any reprinting or unauthorized use
without the written permission of
Yamaha Motor Co., Ltd.
is expressly prohibited.
Printed in Japan.

FOREWORD

This Parts Catalogue is related to the parts for the model(s) on the cover page. When you are ordering replacement parts, please refer to this Parts Catalogue and quote both part numbers and part names correctly.

1. Modifications or additions which have been made after the issue of the Parts Catalogue will be announced in the Parts News.

It is advisable that you make the necessary corrections to the Parts Catalogue according to the Parts News.

2. Abbreviations

The following abbreviations are used in this Parts Catalogue.

“UR” Use specified parts number.

“UN” Use as many as needed.

“AP” Alternate Parts

“LM” Locally Made (Parts need to be ordered locally)

“F#” Frame No. (Applicable machine No.)

“O/S” Over Size

3. The number of components for assembly

- Parts, which are to be supplied in an assembly, are listed with a dot (.) in front of the part name as shown below.
- The numeral appearing to the right of each component part indicates the quantity of parts for each assembly unit.

PART NO.	DESCRIPTION	Q'TY	REMARKS
2F5-83310-60	FRONT FLASHER LIGHT ASSY	2	
115-83311-60	.BULB (6V-18W)	1	

4. Applicable colours of graphics are represented in the “REMARKS” as shown below.

PART NO.	DESCRIPTION	Q'TY	REMARKS
2N4-24110-00-X5	FUEL TANK COMP.	2	MXR
3J1-24240-10	.GRAPHIC, FUEL TANK	1	FOR MXR

5. Note that the illustrations for reference in finding parts numbers are not to be used for assembling. When assembling, please use the applicable service manual.

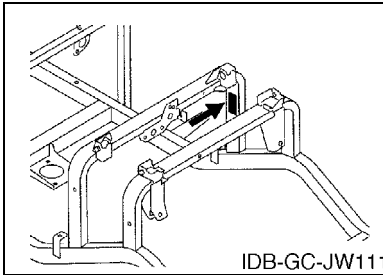
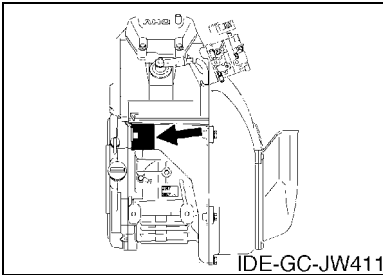
6. The asterisk (*) before a reference number indicates modified items after the first edition.

FOREWORD

7. Applicable Serial No.

Engine Serial No.

Frame Serial No.



10. Applicable Starting Serial No.

Frame Serial No.

Serial No.	Name Of Q'ty Column	Model Code
JW1-300101	JW15	JW15

8. Applicable Colour Code (The (*) mark shows Model colour.)

Abbreviation	Colour Name	Colour Code
BMG(*)	BLACK METALLIC G	1050
DPBMT(*)	DEEP PURPLISH BLUE METALLIC T	0978
HTR(*)	HEAT RED	00EY
LN YM8(*)	LIGHT GRAYISH YELLOW ME 8	1047
NBM7(*)	GRAYISH BLUE METALLIC 7	1046
VDGS1(*)	VERY DARK GREEN SOLID 1	0614
WS7(*)	WHITE SOLID 7	1045

9. Quantity Column Information

Column No.	Name Of Q'ty Column	Destination
1	JW15	CANADA,EUROPE,OTHERS

CONTENTS

ENGINE 1	1
----------------	---

ENGINE

CYLINDER HEAD	2
CRANKSHAFT & PISTON	3
CAMSHAFT & VALVE	4
AIR SHROUD & FAN	5
INTAKE	6
CARBURETOR	7
EXHAUST	8
CRANKCASE	9

BODY

ENGINE BRACKET	10
REAR ARM & SUSPENSION	11
FRAME	12
FRONT SUSPENSION	13
STEERING	15
FUEL TANK	17
PEDAL ASSEMBLY	18
GOVERNOR	20

DRIVE

PRIMARY SHEAVE	21
SECONDARY SHEAVE	22
TRANSAXLE & BRAKE	23
SHIFTER & CABLES	26
WHEEL	27
BUMPER	28
BODY	29
BODY 2	31
BODY FITTING	32
CARRIER	33
SEAT	34

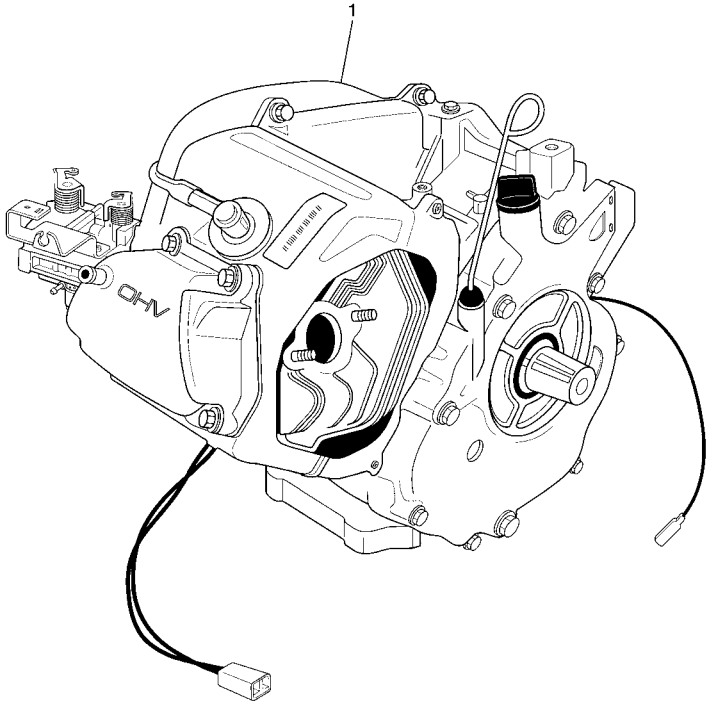
ELECTRICAL

STARTING MOTOR	35
ELECTRICAL 1	37
ELECTRICAL 2	38
ALTERNATE FOR WINDSHIELD	40
ALTERNATE FOR SUN ROOF	41

INDEX

NUMERICAL INDEX	42
-----------------------	----

FIG. 1 ENGINE 1



REF. NO.	PART NO.	DESCRIPTION	JW15					REMARKS
1	JR6-19001-00	ENGINE ASSEMBLY	1					



JW41110-C010

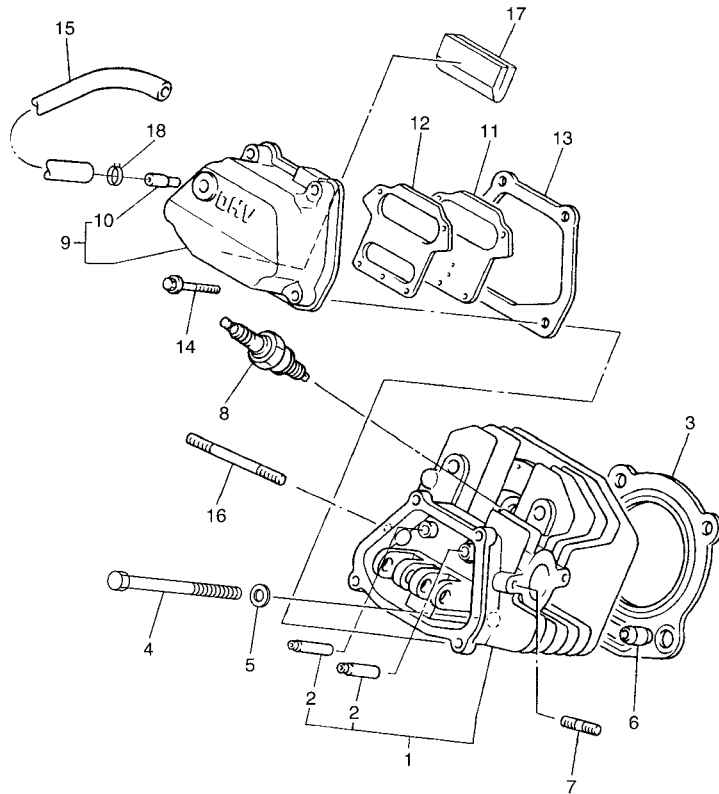
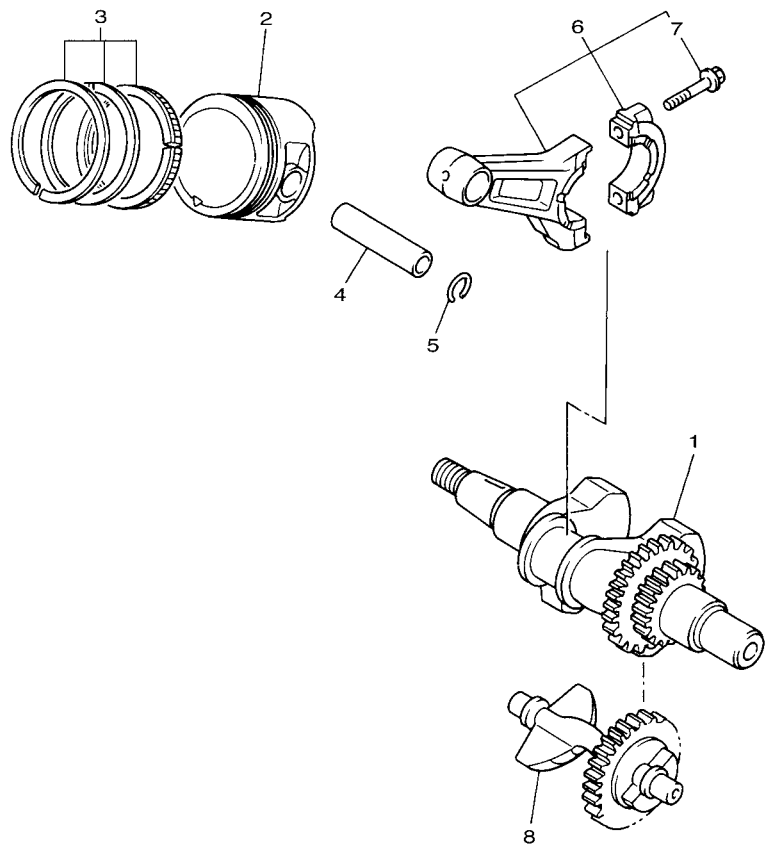


FIG. 2 CYLINDER HEAD

REF. NO.	PART NO.	DESCRIPTION	JW15				REMARKS
1	JT0-11111-00	HEAD, CYLINDER 1	1				
2	JN6-11133-10	.GUIDE, VALVE 1	2				
3	JT0-11181-00	GASKET, CYLINDER HEAD 1	1				
4	97012-10070	BOLT	4				
5	90201-10057	WASHER, PLATE	4				
6	99530-14016	PIN, DOWEL	2				
7	95622-08618	BOLT, STUD	2				
8	94702-00348	PLUG, SPARK (NGK-BPR2ES)	1				STD
	94702-00343	PLUG, SPARK (NGK BP4ES)	1				AP
9	JN6-11191-01	COVER, CYLINDER HEAD 1	1				
10	JN6-11116-00	.JOINT, BREATHER	1				
11	JN6-11168-00	COVER, BREATHER	1				
12	JN6-11169-00	GASKET, BREATHER COVER	1				
13	JN6-11193-00	GASKET, HEAD COVER 1	1				
14	95822-06030	BOLT, FLANGE	4				
15	JN6-E1166-00	PIPE, BREATHER 1	1				
16	95602-08710	BOLT, STUD	2				
17	JR7-11163-00	ELEMENT	1				
18	90467-13847	CLIP	2				



JW61100-H020

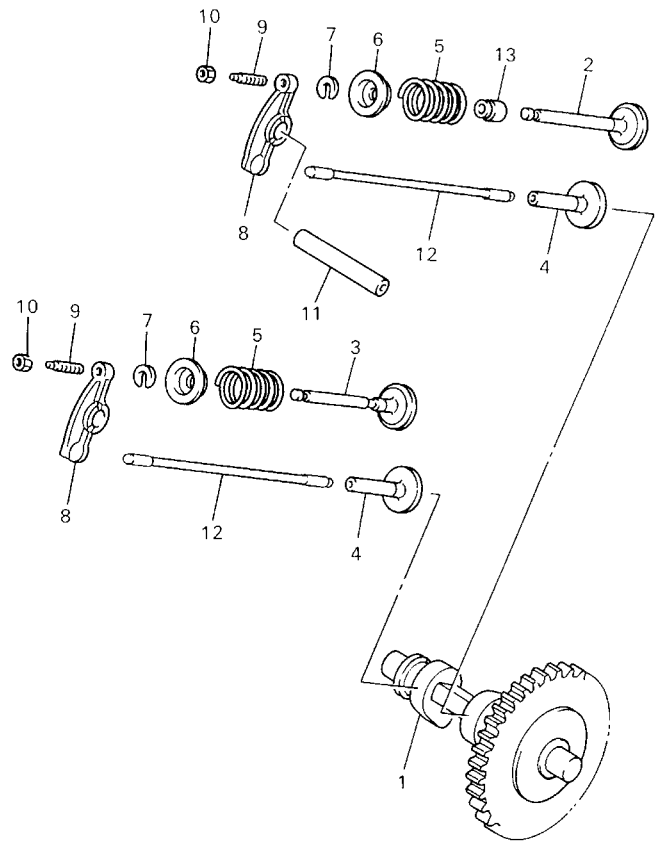


JN7010-6021


FIG. 3 CRANKSHAFT & PISTON

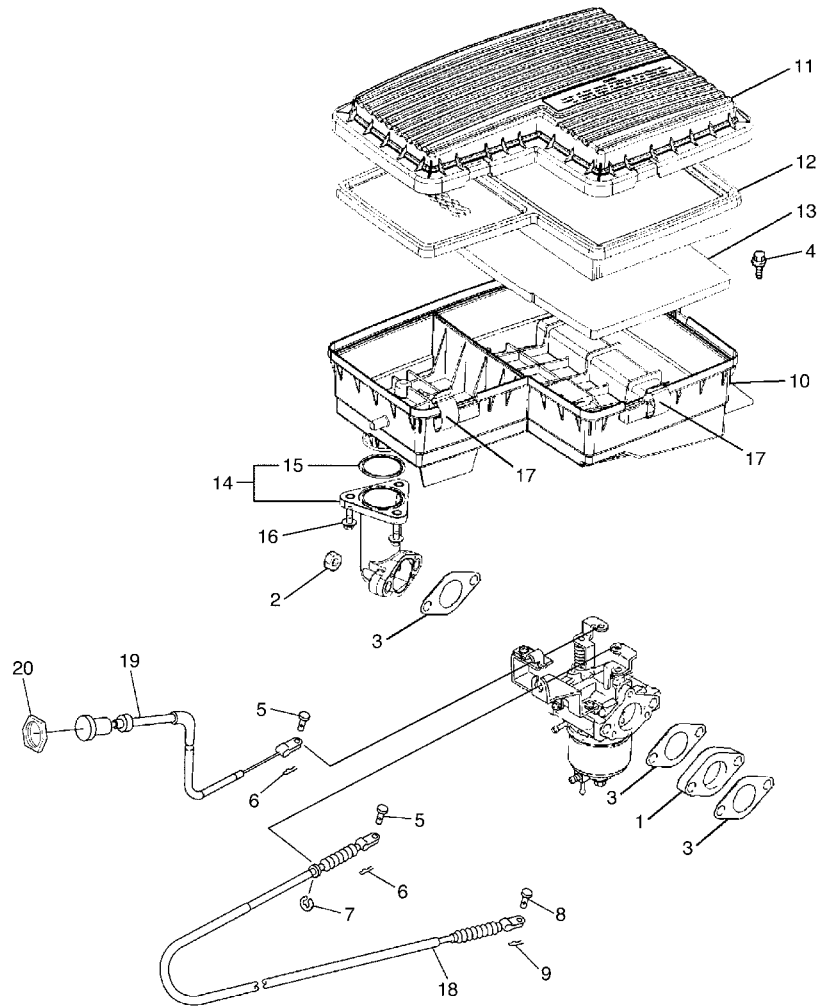
REF. NO.	PART NO.	DESCRIPTION	JW15				REMARKS
1	JN6-11400-00	CRANKSHAFT ASSY	1				
2	JR7-11631-00-A0	PISTON (STD)	1				
	JR7-11635-00	PISTON (0.25MM O/S)	1				AP
	JR7-11636-00	PISTON (0.50MM O/S)	1				AP
3	JR7-11610-00	PISTON RING SET (STD)	1				
	JR7-11610-10	PISTON RING SET (0.25MM O/S)	1				AP
	JR7-11610-20	PISTON RING SET (0.50MM O/S)	1				AP
4	583-11633-00	PIN, PISTON	1				
5	93450-21053	CIRCLIP	2				
6	JN6-11650-00	CONNECTING ROD ASSY	1				
7	JN6-11654-00	BOLT, CONNECTING ROD	2				
8	JN6-11454-00	WEIGHT 1	1				

FIG. 4 CAMSHAFT & VALVE



REF. NO.	PART NO.	DESCRIPTION	JW15				REMARKS
1	JR7-12170-00	CAMSHAFT ASSY 1	1				
2	JN6-12111-01	VALVE, INTAKE	1				
3	7RH-12121-00	VALVE, EXHAUST	1				
4	JN6-12153-00	LIFTER, VALVE	2				
5	90501-264A9	SPRING, COMPRESSION	2				
6	J38-12117-01	RETAINER, VALVE SPRING	2				
7	J38-12118-00	COTTER, VALVE	2				
8	JN6-12151-00	ARM, VALVE ROCKER	2				
9	22F-12159-00	SCREW, VALVE ADJUSTING	2				
10	90170-05302	NUT	2				
11	J38-12156-00	SHAFT, ROCKER 2	1				
12	JR7-12154-01	ROD, VALVE PUSH	2				
13	4G0-12119-00	SEAL, VALVE STEM	1				


JT01010-0030



JW71100-H060

FIG. 6 INTAKE

REF. NO.	PART NO.	DESCRIPTION	JW15				REMARKS
1	JN6-13595-00	JOINT	1				
2	95702-08500	NUT, FLANGE	2				
3	JN6-13567-00	GASKET	3				
4	90119-06884	BOLT, WITH WASHER	2				
5	91702-05010	PIN, CLEVIS	2				
6	90468-10049	CLIP	2				
7	99001-07600	CIRCLIP	1				
8	91702-05010	PIN, CLEVIS	1				
9	90468-10049	CLIP	1				
10	JU0-E4411-00	CASE, AIR CLEANER 1	1				
11	JU0-E4412-00	CAP, CLEANER CASE 1	1				
12	JU0-E4450-00	ELEMENT ASSY, AIR CLEANER	1				
13	JU0-E445E-00	FILTER 1	1				
14	JU0-E3505-09	JOINT COMP.	1				
15	93210-398D6	.O-RING	1				
16	90105-06862	BOLT, FLANGE	3				
17	5UH-E4424-00	CLIP, CAP FITTING	5				
18	JW1-F6312-00	CABLE, THROTTLE 2	1				
19	JW1-F6331-00	CABLE, STARTER 1	1				
20	JU0-F6333-00	NUT	1				

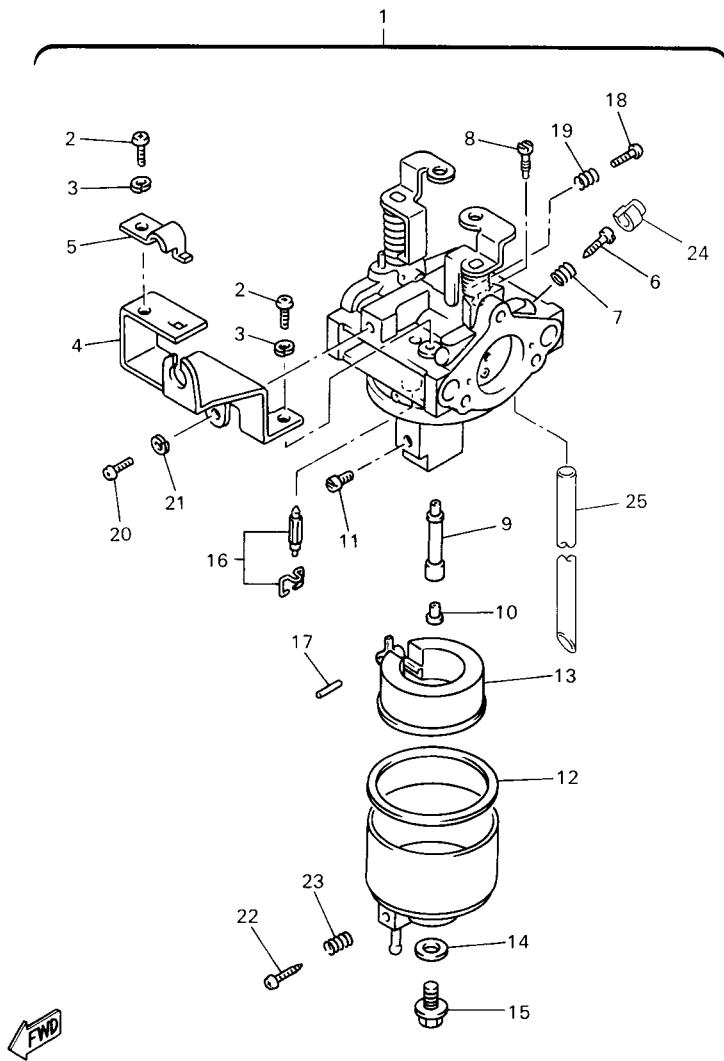


FIG. 7 CARBURETOR

REF. NO.	PART NO.	DESCRIPTION	JW15				REMARKS
1	JR6-14101-00	CARBURETOR ASSY 1	1				
2	98507-05008	.SCREW, PAN HEAD	2				
3	92990-05100	.WASHER, SPRING	2				
4	JN6-14291-00	.BRACKET 1	1				
5	J10-14227-00	.PLATE	1				
6	7NJ-14211-00	.SCREW, PILOT ADJUSTING	1				
7	73A-14212-10	.SPRING	1				
8	732-14142-65-A0	.JET, PILOT (# 65)	1				
9	JN6-1495H-3B	.NOZZLE, MAIN	1				
10	73A-1414G-00	.PIPE, MAIN BLEED	1				
11	3G2-1423A-68-A0	.JET, MAIN (# 87.5)	1				STD
	3G2-1423A-67	.JET, MAIN (# 82.5)	1				AP
	3G2-1423E-33-A0	.JET, MAIN (#83.8)	1				AP
12	796-14184-00	.GASKET, FLOAT CHAMBER	1				
13	JN6-14185-00	.FLOAT	1				
14	127-14198-00	.GASKET	1				
15	7R1-14162-00	.BOLT, HOLDING	1				
16	JN5-14150-00	.NEEDLE ASSY (WITH CLIP)	1				
17	22F-14186-00	.PIN, FLOAT	1				
18	1WG-14922-00	.SCREW, THROTTLE	1				
19	73A-14212-10	.SPRING	1				
20	98507-04010	.SCREW, PAN HEAD	1				
21	92902-04100	.WASHER, SPRING	1				
22	7E1-14191-00	.PLUG, DRAIN	1				
23	73A-14212-00	.SPRING	1				
24	7LV-14118-00	.CAP	1				
25	1KT-14197-01	.PIPE	1				

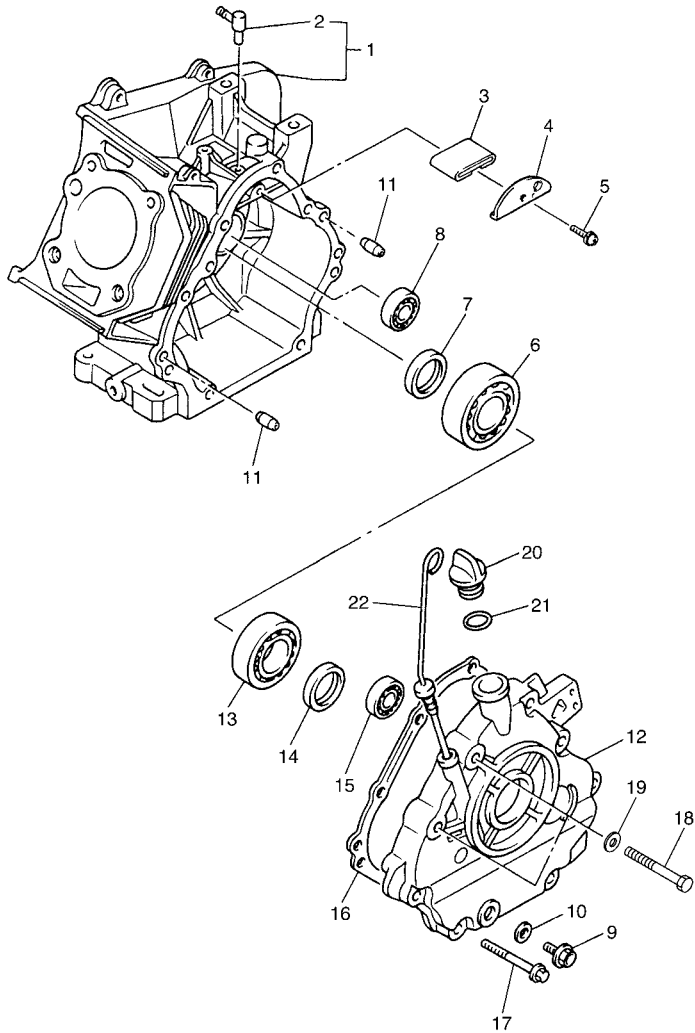


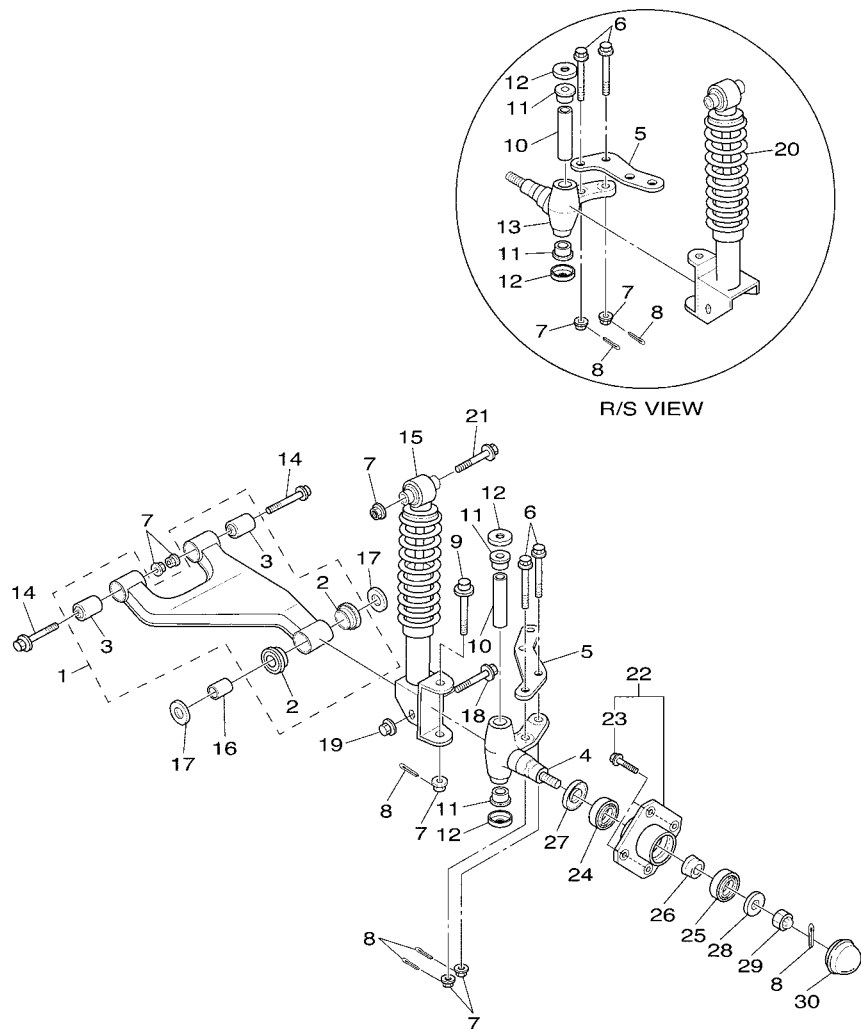
FIG. 9 CRANKCASE

REF. NO.	PART NO.	DESCRIPTION	JW15				REMARKS
1	JR7-15100-00	CRANKCASE ASSY	1				
2	JN6-15155-00	.NOZZLE 3	1				
3	JR7-15407-00	ELEMENT 1	1				
4	JR7-15123-00	PLATE, BAFFLE 1	1				
5	90159-06107	SCREW, WITH WASHER	1				
6	93306-30709	BEARING	1				
7	93102-35014	OIL SEAL	1				
8	93306-20201	BEARING	1				
9	90340-12097	PLUG, STRAIGHT SCREW	1				
10	812-11198-00	GASKET	1				
11	99530-08016	PIN, DOWEL	2				
12	JN6-15411-01	COVER, CRANKCASE 1	1				
13	93306-20714	BEARING	1				
14	93102-35014	OIL SEAL	1				
15	93306-20201	BEARING	1				
16	JY2-15451-00	GASKET, CRANKCASE COVER 1	1				
17	95812-08045	BOLT, FLANGE	6				
18	97012-10050	BOLT	2				
19	90201-10057	WASHER, PLATE	2				
20	796-15363-01	PLUG, OIL	1				
21	93210-22344	O-RING	1				
22	J38-15361-00	GAUGE, LEVEL	1				



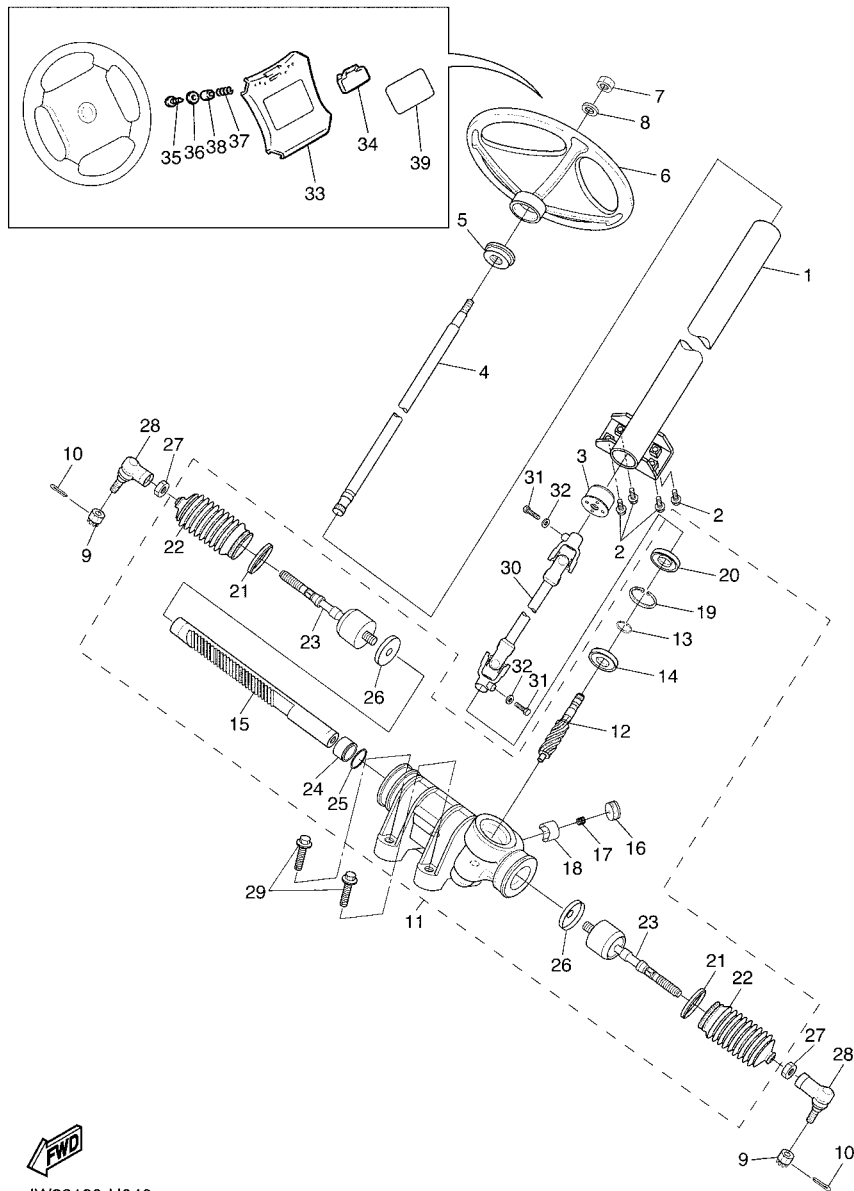
JW61100-H090

FIG. 13 FRONT SUSPENSION



JW15110-J130

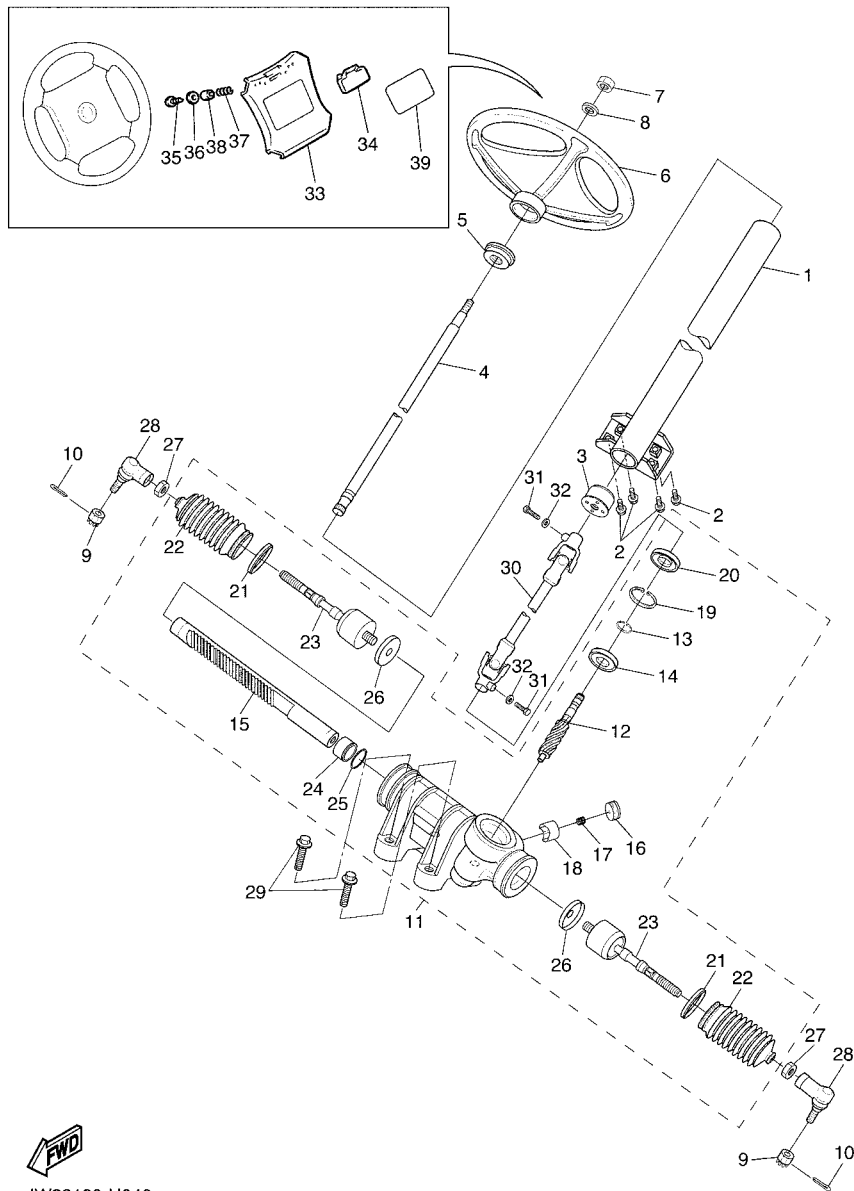
REF. NO.	PART NO.	DESCRIPTION	JW15				REMARKS
1	JU0-F3570-20	FRONT LOWER ARM COMP.	2				
2	90381-18001	.BUSH, SOLID	2				
3	2HR-23526-00	.BUSH	2				
4	JU0-F3511-01	KNUCKLE, STEERING 1	1				
5	JW1-F3512-00	ARM, KNUCKLE 1	2				
6	90105-10728	BOLT, FLANGE	4				
7	95602-10200	NUT, U FLANGE	12				
8	91402-25020	PIN, COTTER	8				
9	90105-10064	BOLT, FLANGE	2				
10	2NL-23448-00	SPACER	2				
11	90381-17067	BUSH, SOLID	4				
12	2NL-23517-00	COVER, THRUST 1	4				
13	JU0-F3521-01	KNUCKLE, STEERING 2	1				
14	90105-10267	BOLT, FLANGE	4				
15	JW1-F3350-10	SHOCK ABSORBER ASSY	1				
16	90387-12016	COLLAR	2				
17	401-22128-01	COVER, THRUST 1	4				
18	95812-12080	BOLT, FLANGE	2				
19	95612-12100	NUT, U	2				
20	JW1-F3390-10	SHOCK ABSORBER ASSY 2	1				
21	90105-10267	BOLT, FLANGE	2				
22	JG5-WF511-10	HUB, FRONT	2				
23	90114-12806	.BOLT, SERRATION	4				
24	93306-204X0	BEARING	2				
25	93306-005Y3	BEARING	2				
26	90387-241M7	COLLAR	2				
27	93102-30083	OIL SEAL	2				



JW22100-H040

FIG. 14 STEERING

REF. NO.	PART NO.	DESCRIPTION	JW15				REMARKS
1	JW1-F3811-01	COLUMN, STEERING	1				
2	95812-08020	BOLT, FLANGE	4				
3	JU0-F3857-11	HOLDER	1				
4	JU0-F3828-00	ROD, STEERING	1				
5	JN3-F3814-01	HOLDER, HANDLE UPPER	1				
6	JN3-F3838-00	WHEEL, STEERING	1				
7	90185-12061	NUT, SELF-LOCKING	1				
8	92902-12200	WASHER	1				
9	95602-12200	NUT, SELF-LOCKING	2				
10	91402-25020	PIN, COTTER	2				
11	JW1-F3400-00	STEERING ASSY	1				
12	JW1-F387A-00	.GEAR, PINION	1				
13	JW1-F3183-00	.CIRCLIP	1				
14	JW1-F3812-00	.BEARING	1				
15	JW1-F387E-00	.GEAR, RACK	1				
16	5UG-F387G-00	.COVER, ADJUST	1				
17	5UG-F387K-00	.SPRING, PRESSURE	1				
18	5UG-F387F-00	.PAD, PRESSURE	1				
19	5UG-F387J-00	.RING, STOPPER	1				
20	5UG-F3844-00	.SEAL	1				
21	5UG-F3489-00	.BAND	2				
22	5UG-F3527-00	.SEAL, DUST 1	2				
23	JW1-F3837-00	.ROD, TIE 2	2				
24	JW1-F467K-00	.BUSH, CAP	1				
25	JW1-F3866-00	.CIRCLIP	1				
26	JW1-F3894-00	.WASHER, LOCK 1	2				
27	1P0-F3833-00	NUT 1	2				



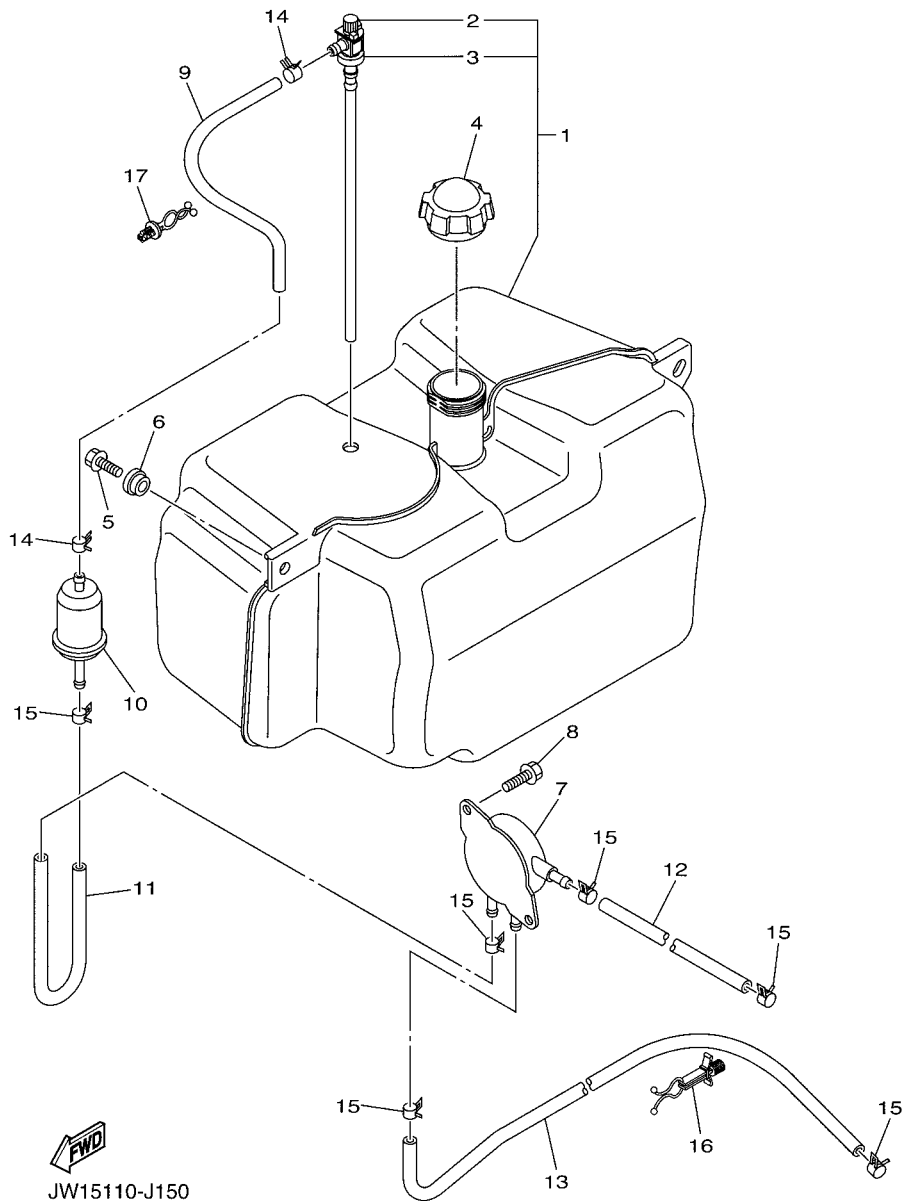
JW22100-H040

FIG. 14 STEERING

REF. NO.	PART NO.	DESCRIPTION	JW15				REMARKS
28	JU0-23841-10	JOINT, UNIVERSAL 1	2				
29	90105-10847	BOLT, FLANGE	4				
30	JW1-F3822-00	JOINT 1	1				
31	97012-08030	BOLT	2				
32	92902-08600	WASHER, PLATE	2				
33	JN3-K8357-00	HOLDER 1	1				
34	JN6-K8358-01	HOLDER 2	1				
35	97702-40525	SCREW, TAPPING	2				
36	90201-04810	WASHER, PLATE	2				
37	90502-10013	SPRING, CONICAL	2				
38	90387-046N7	COLLAR	2				
39	JU0-K7762-00	LABEL, WARNING 2 (E)	1				UR FOR CAN
	JU0-K7762-10	LABEL, WARNING 2 (E,F)	1				UR EXCEPT FOR CAN
	JU0-K7762-20	LABEL, WARNING 2 (G,S)	1				UR EXCEPT FOR CAN

FIG. 15 FUEL TANK

REF. NO.	PART NO.	DESCRIPTION	JW15				REMARKS
1	JW1-F4111-01	TANK, FUEL	1				
2	JW1-F4300-00	.FUEL PIPE JOINT	1				
3	JU5-F4375-00	.GROMMET	1				
4	JN6-F4610-00	CAP ASSY	1				
5	JW1-F1738-00	BOLT	2				
6	90560-08251	SPACER	2				
7	JN6-F4410-11	FUEL PUMP ASSY	1				
8	JW1-F3394-00	BOLT, SPECIAL	2				
9	JW1-F4312-00	PIPE 2	1				
10	JN6-F4560-00	FILTER ASSY	1				
11	JW1-F4311-00	PIPE, FUEL 1	1				
12	JW1-F4313-00	PIPE 3	1				
13	JW1-F4314-00	PIPE 4	1				
14	90467-12845	CLIP	2				
15	90467-10846	CLIP	6				
16	JW1-F1977-01	CLAMP, FUEL PIPE	1				
17	90464-12836	CLAMP	1				



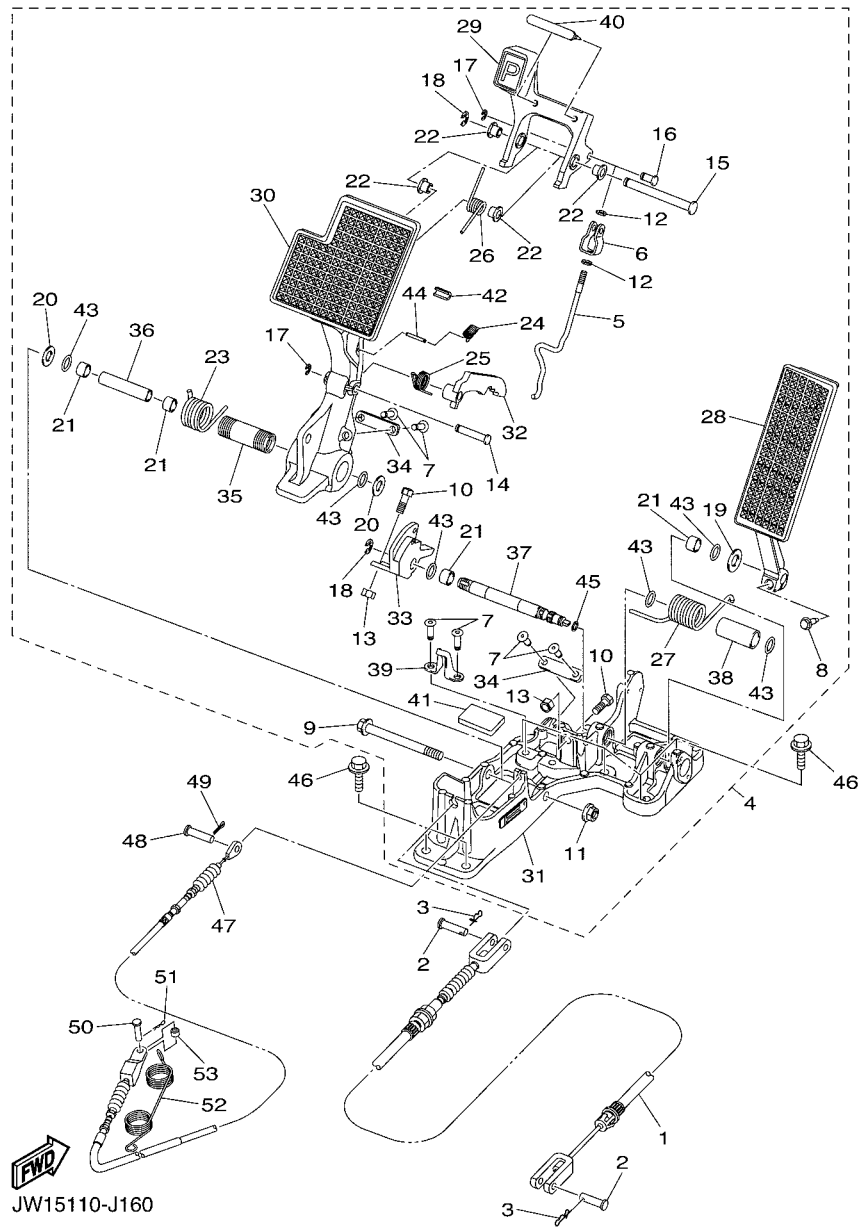
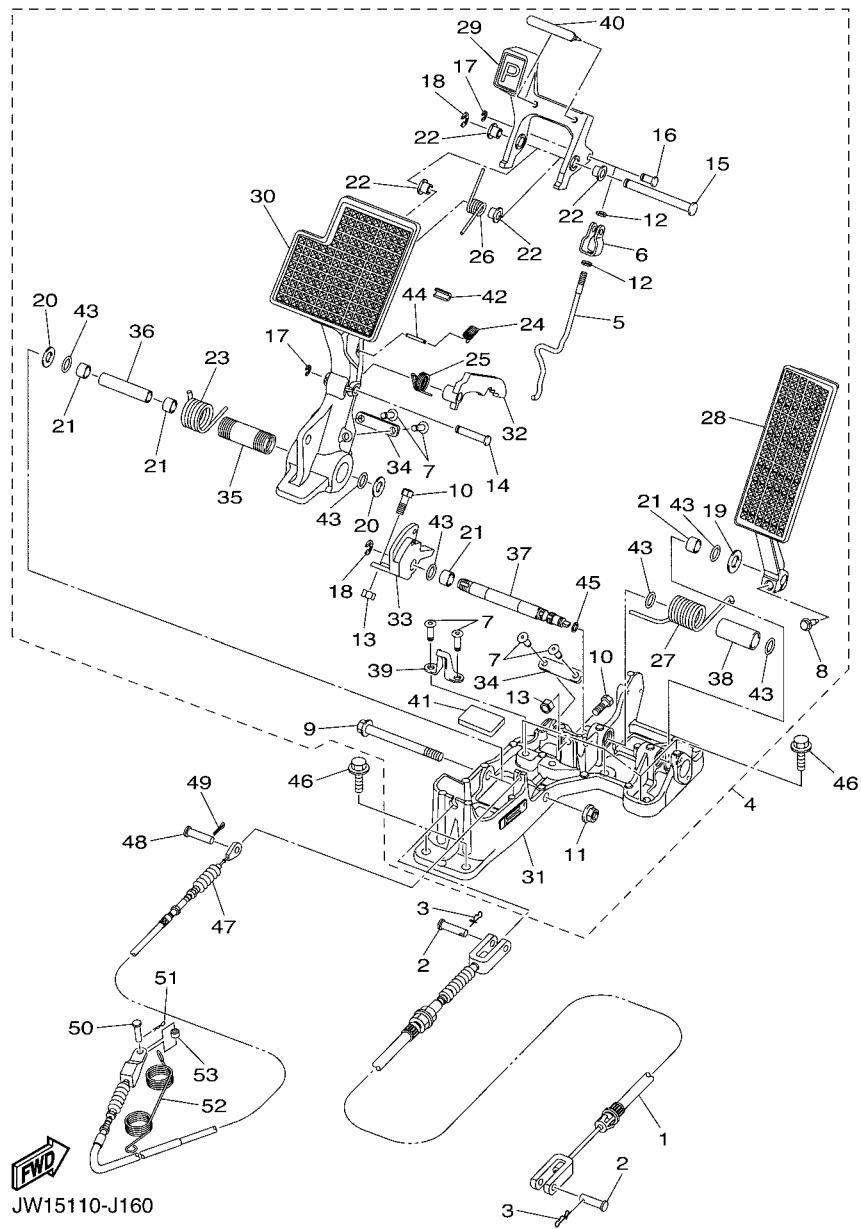


FIG. 16 PEDAL ASSEMBLY

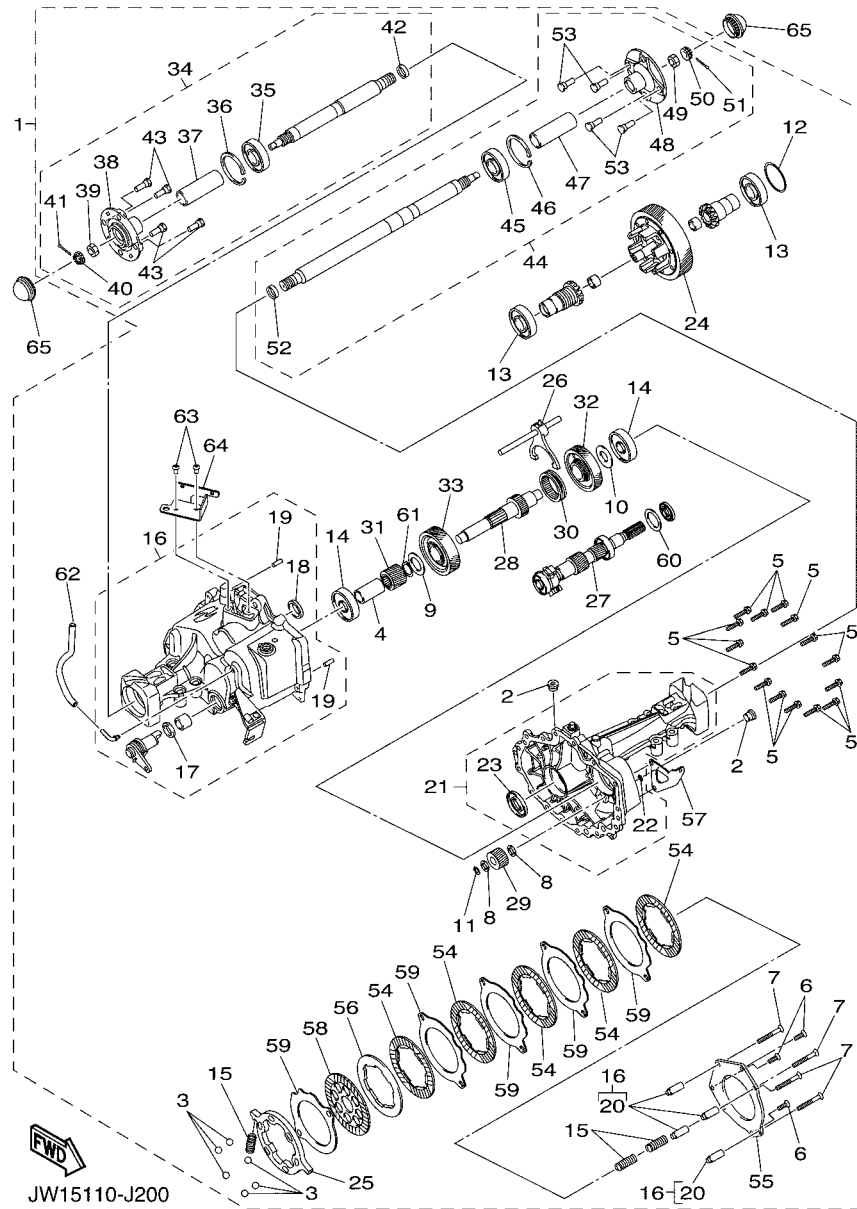
REF. NO.	PART NO.	DESCRIPTION	JW15				REMARKS
1	JW1-F6341-10	WIRE, BRAKE 1	1				
2	91701-10028	PIN	2				
3	90468-20196	CLIP	2				
4	JW1-F7850-10	PEDAL ASSY (L.H)	1				
5	JW1-F720G-00	.PUSH ROD ASSY	1				
6	JW1-F7232-00	.END, ROD 2	1				
7	JW1-F1128-00	.RIVET	6				
8	JW1-F7117-00	.BOLT, MAIN STAND	1				
9	JW1-F7217-00	.BOLT	1				
10	JW1-F7227-00	.BOLT, AJUSTING	2				
11	JW1-F7218-00	.NUT	1				
12	JW1-F7855-00	.NUT, RING	2				
13	JW1-F7238-00	.NUT, ADJUSTING	2				
14	JW1-F5734-00	.PIN 1	1				
15	JW1-F5744-00	.PIN 2	1				
16	JW1-F5754-00	.PIN 3	1				
17	JW1-F5866-01	.CIRCLIP	2				
18	JW1-F6466-01	.RING, SNAP	2				
19	JW1-F723F-01	.WASHER, SPECIAL	1				
20	JW1-F723G-00	.WASHER, SPECIAL	2				
21	JW1-F582M-00	.BEARING	4				
22	JW1-F339Y-00	.BEARING	4				
23	JW1-F7825-00	.SPRING, RETURN	1				
24	JW1-F5659-00	.HOOK, SPRING 2	1				
25	JW1-F5658-00	.HOOK, SPRING 1	1				
26	JW1-F7216-00	.SPRING, RETURN	1				
27	JW1-F5735-00	.SPRING, RETURN 1	1				



JW15110-J160

FIG. 16 PEDAL ASSEMBLY

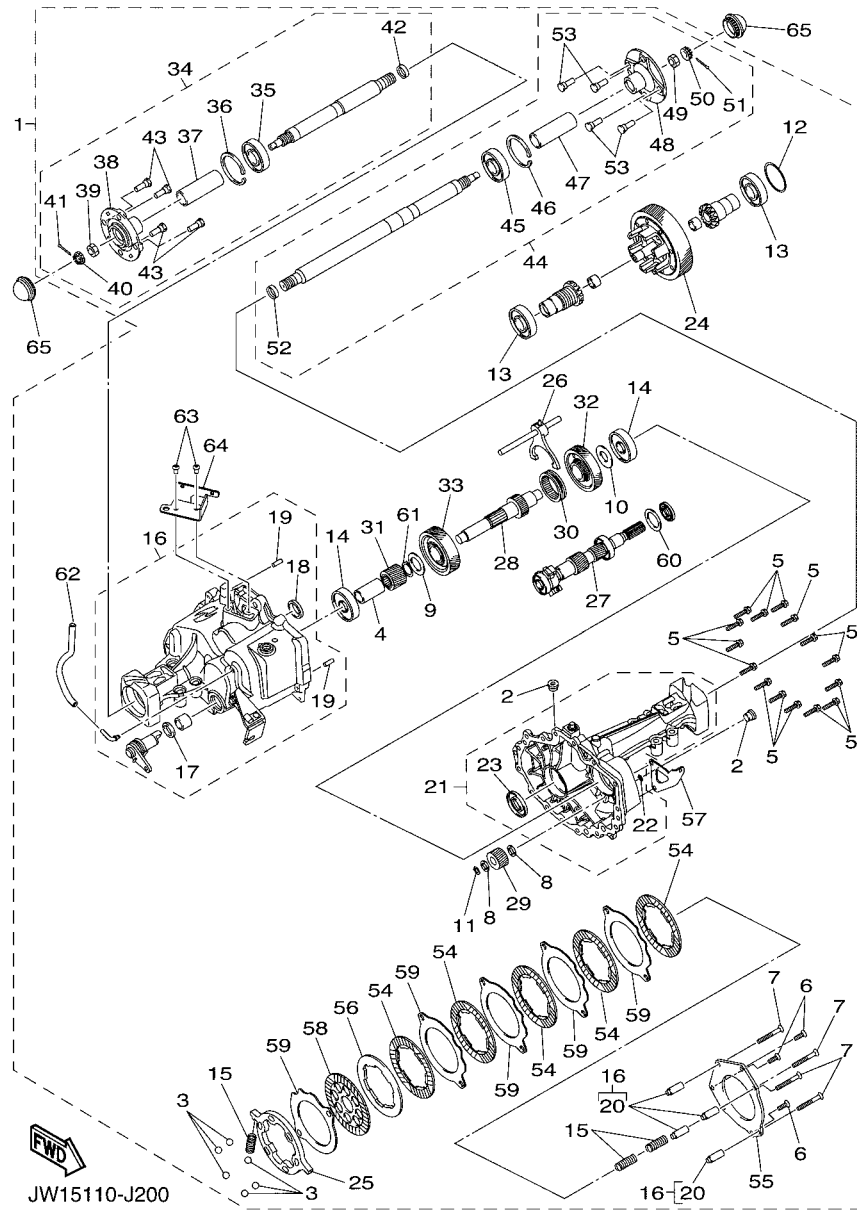
REF. NO.	PART NO.	DESCRIPTION	JW15				REMARKS
28	JW1-F7871-00	.PEDAL, ACCELERATOR	1				
29	JW1-F7252-00	.LEVER, BRAKE PEDAL	1				
30	JW1-F7211-01	.PEDAL, BRAKE	1				
31	JW1-F785A-10	.PEDAL SET	1				
32	JW1-F5666-00	.SECTOR, PARKING BRAKE	1				
33	JW1-F7249-00	.PEDAL, LOCK	1				
34	JW1-F7275-00	.PLATE	2				
35	JW1-F7243-00	.BOSS, BRAKE PEDAL	1				
36	JW1-F7213-00	.COLLAR	1				
37	JW1-F7853-00	.SHAFT, PEDAL 1	1				
38	JW1-F7814-00	.BUSH, PEDAL	1				
39	JW1-F7254-00	.HOOK	1				
40	JW1-F5672-00	.PAD, PARKING PEDAL	1				
41	JW1-F7257-10	.PAD, BRAKE	1				
42	JW1-F5673-00	.DAMPER, BRAKE	1				
43	JW1-F3147-01	.O-RING	6				
44	JW1-F5677-00	.PIN, HOLD 1	1				
45	JW1-F3188-00	.O-RING	1				
46	95812-08020	BOLT, FLANGE	6				
47	JW1-F6311-00	CABLE, THROTTLE 1	1				
48	91701-06016	PIN	1				
49	91401-20015	PIN, COTTER	1				
50	91702-05014	PIN, CLEVIS	1				
51	90468-10049	CLIP	1				
52	90508-16460	SPRING, TORSION	1				
53	90560-05001	SPACER	1				



JW15110-J200

FIG. 20 TRANSAXLE & BRAKE

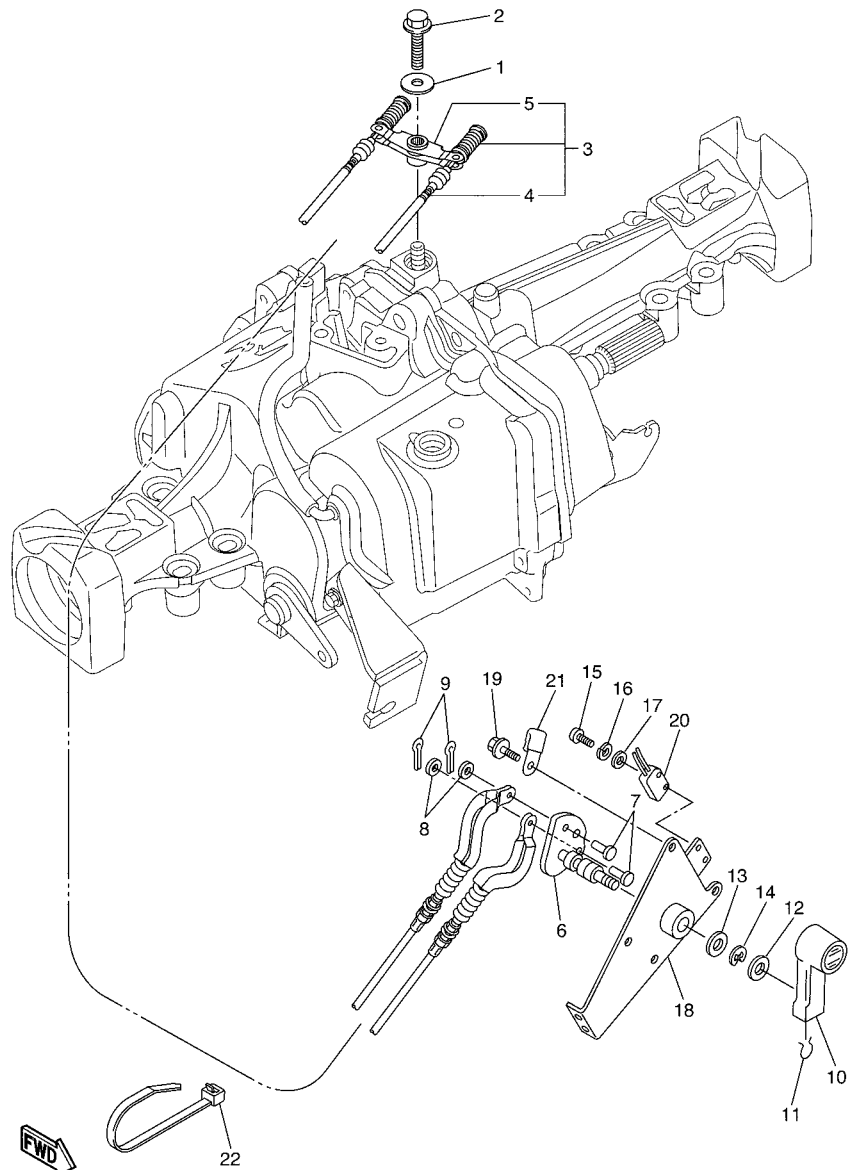
REF. NO.	PART NO.	DESCRIPTION	JW15				REMARKS
1	JW1-G6300-00	TRANS AXLE ASSY	1				
2	JW1-G6168-00	.PLUG, DRAIN 1	2				
3	JW1-F4684-00	.BALL	6				
4	JW1-G4132-00	.BUSHING	1				
5	JW1-G4582-00	.BOLT, 2	15				
6	JW1-G4189-00	.SCREW	3				
7	JW1-G6158-00	.BOLT 2	4				
8	JW1-G4188-00	.WASHER	2				
9	JW1-G5677-00	.WASHER	1				
10	JW1-G5618-00	.WASHER, 1	1				
11	JW1-G6443-00	.RING, HOLDOUT	1				
12	JW1-G6117-00	.SHIM, RING GEAR	1				
13	JW1-G6164-00	.BEARING 1	2				
14	JW1-G6165-00	.BEARING 2	2				
15	JW1-G4135-00	.SPRING	3				
16	JW1-G6540-00	.REAR AXLE HOUSING COMP.	1				
17	JW1-G6137-00	..SEAL 2	1				
18	JW1-F16A3-00	..SEAL, 3	1				
19	JW1-F536G-00	..PIN	2				
20	JW1-G6153-00	..COLLAR, GUIDE	4				
21	JW1-G6550-00	.REAR AXLE HOUSING COMP. 2	1				
22	JW1-G6854-00	..RING	1				
23	JW1-F16A2-00	..SEAL, 2	1				
24	JW1-G6110-00	.RING GEAR COMP.	1				
25	JW1-F384K-00	.BALL, SEAT	1				
26	JW1-G4120-00	.HANDLE GEAR SHIFT ASSY	1				
27	JW1-G6320-00	.INPUT SHAFT ASSY	1				



JW15110-J200

FIG. 20 TRANSAXLE & BRAKE

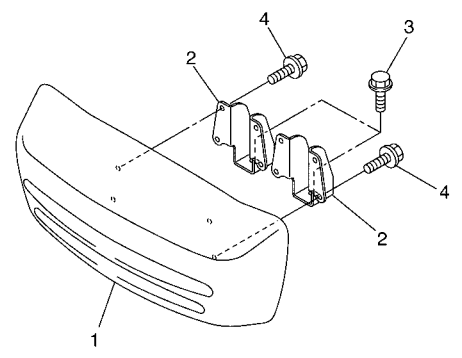
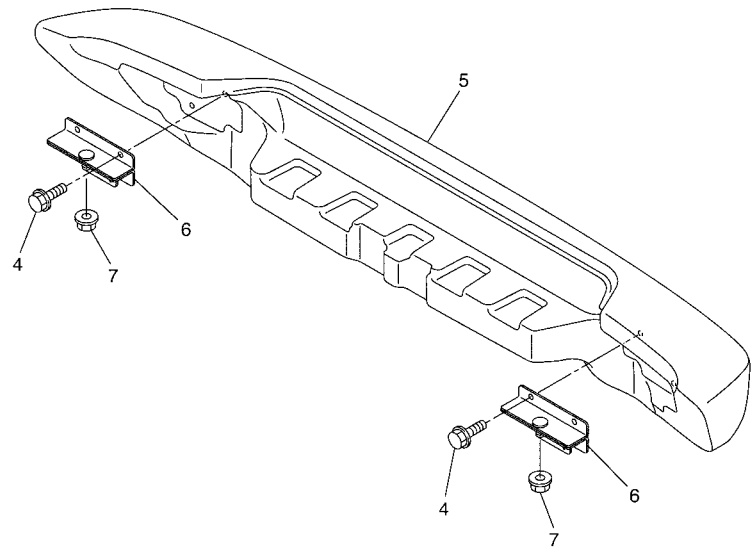
REF. NO.	PART NO.	DESCRIPTION	JW15				REMARKS
28	JW1-G6348-00	.SHAFT 2	1				
29	JW1-G6356-00	.GEAR, IDLER	1				
30	JW1-G6328-00	.GEAR, WHEEL 3	1				
31	JW1-G6131-00	.GEAR, RING 2	1				
32	JW1-G6361-00	.GEAR, COUNTER 1	1				
33	JW1-G6362-00	.GEAR, COUNTER 2	1				
34	JW1-G6510-00	.REAR AXLE SHAFT COMP.	1				
35	JW1-F2176-00	..BEARING	1				
36	JW1-G4156-00	..RING, SNAP	1				
37	JW1-G6128-00	..SPACER, BEARING	1				
38	JW1-G6542-00	..HUB	1				
39	JW1-G4583-00	..NUT	1				
40	JW1-G4127-00	..NUT, 1	1				
41	JW1-G633J-00	..PIN, COTTER	1				
42	JW1-G5874-00	..RING, SEAL	1				
43	JW1-G4178-00	..BOLT, STUD	4				
44	JW1-G6520-00	.REAR AXLE SHAFT COMP. 2	1				
45	JW1-F2176-00	..BEARING	1				
46	JW1-G4156-00	..RING, SNAP	1				
47	JW1-G6128-00	..SPACER, BEARING	1				
48	JW1-G6542-00	..HUB	1				
49	JW1-G4583-00	..NUT	1				
50	JW1-G4127-00	..NUT, 1	1				
51	JW1-G633J-00	..PIN, COTTER	1				
52	JW1-G5874-00	..RING, SEAL	1				
53	JW1-G4178-00	..BOLT, STUD	4				
54	JW1-G6336-00	.PLATE 1	5				



JW61100-H210

FIG. 21 SHIFTER & CABLES

REF. NO.	PART NO.	DESCRIPTION	JW15				REMARKS
1	90201-05800	WASHER, PLATE	1				
2	90105-05005	BOLT, FLANGE	1				
3	JW1-G8330-01	CABLE END ASSY	1				
4	JW1-G6371-01	.WIRE, SHIFT	2				
5	JW1-G6383-01	.LEVER, SHIFT 2	1				
6	JF2-46382-00	LEVER, SHIFT 1	1				
7	91701-06014	PIN	2				
8	92902-06600	WASHER, PLATE	2				
9	91401-20012	PIN, COTTER	2				
10	JN3-G6381-00	KNOB, SHIFT	1				
11	JN3-G6376-00	SPRING SET	1				
12	90201-208S8	WASHER, PLATE	1				
13	90201-198S7	WASHER, PLATE	1				
14	99009-19400	CIRCLIP	1				
15	98502-04016	SCREW, PAN HEAD	2				
16	92902-04100	WASHER, SPRING	2				
17	92902-04600	WASHER, PLATE	2				
18	JN3-G6372-00	BRACKET, SHIFT WIRE	1				
19	90105-06870	BOLT, FLANGE	3				
20	JN3-82617-01	SWITCH	1				
21	90465-06038	CLAMP	1				
22	90464-76800	CLAMP	1				




 JW11100-E230

FIG. 23 BUMPER

REF. NO.	PART NO.	DESCRIPTION	JW15				REMARKS
1	JW1-K7510-00	FRONT BUMPER COMP.	1				
2	JW1-K8164-00	STAY, FRONT BUMPER (L.H)	2				
3	90105-088B0	BOLT, FLANGE	2				
4	95822-06012	BOLT, FLANGE	8				
5	JW1-K7540-00	REAR BUMPER COMP.	1				
6	JW1-K8174-00	STAY, REAR BUMPER	2				
7	95602-10200	NUT, U FLANGE	2				

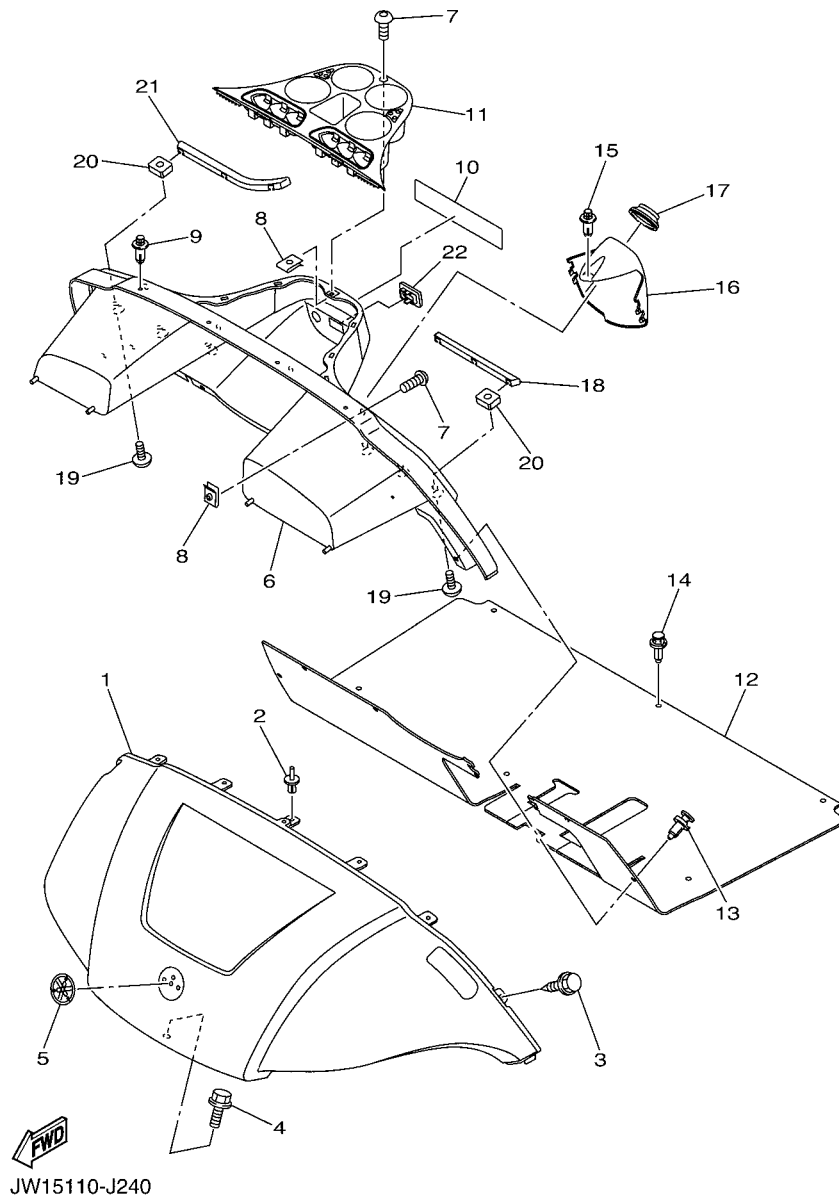


FIG. 24 BODY

REF. NO.	PART NO.	DESCRIPTION	JW15				REMARKS
1	JW1-K8115-01	COWL, FRONT	1				UR FOR WS7
	JW1-K8115-11	COWL, FRONT	1				UR FOR VDGS1
	JW1-K8115-21	COWL, FRONT	1				UR FOR HTR
	JW1-K8115-31	COWL, FRONT	1				UR FOR LNYM8
	JW1-K8115-41	COWL, FRONT	1				UR FOR NBM7
	JW1-K8115-51	COWL, FRONT	1				UR FOR BMG
	JW1-K8115-61	COWL, FRONT	1				UR FOR DPBMT
2	90267-63047	RIVET, BLIND	5				
3	JW1-F3396-00	SCREW, SPECIAL	2				
4	90105-06870	BOLT, FLANGE	1				
5	JW1-F4161-00	EMBLEM 1	1				
6	JW1-K8114-01	PANEL, FRONT	1				
7	90111-05805	BOLT,HEX. SOCKET BUTTON	5				
8	90183-05008	NUT, SPRING	5				
9	90269-07001	RIVET	5				
10	JW1-K7768-00	LABEL, WARNING (E)	1				UR FOR CAN
	JW1-K7768-10	LABEL, WARNING (E,F)	1				UR EXCEPT FOR CAN
	JW1-K7768-20	LABEL, WARNING (G,S)	1				UR EXCEPT FOR CAN
11	JW1-K835E-00	HOLDER, BEVERAGE	1				
12	JW1-K8233-10	MAT, MAIN FLOOR 3	1				
13	90269-09003	RIVET	5				
14	90269-09003	RIVET	6				
15	90269-06804	RIVET	1				
16	JW1-K8273-00	COVER, HOLE	1				
17	JW1-K8245-00	SEAL 1	1				
18	JW1-K8261-00	PLATE, BODY PROTECT 1	1				
19	90110-06007	BOLT, HEXAGON SOCKET HEAD	6				

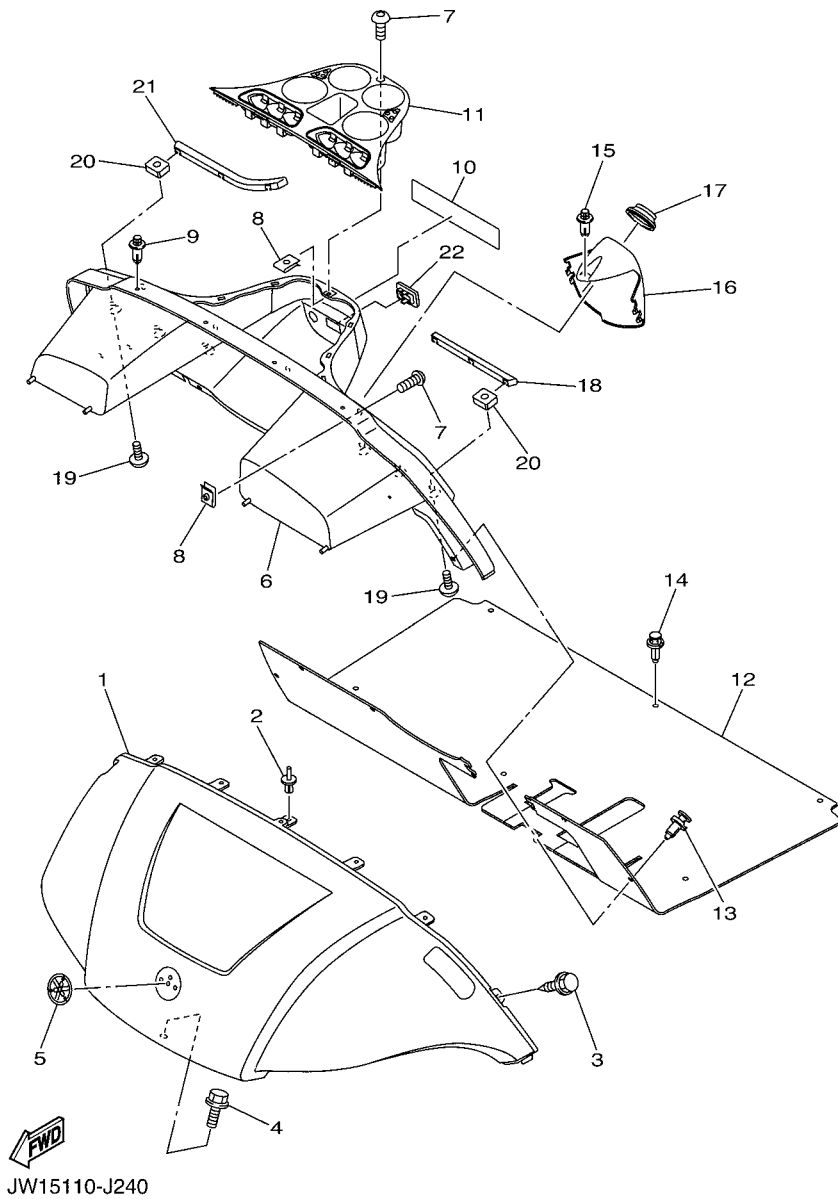
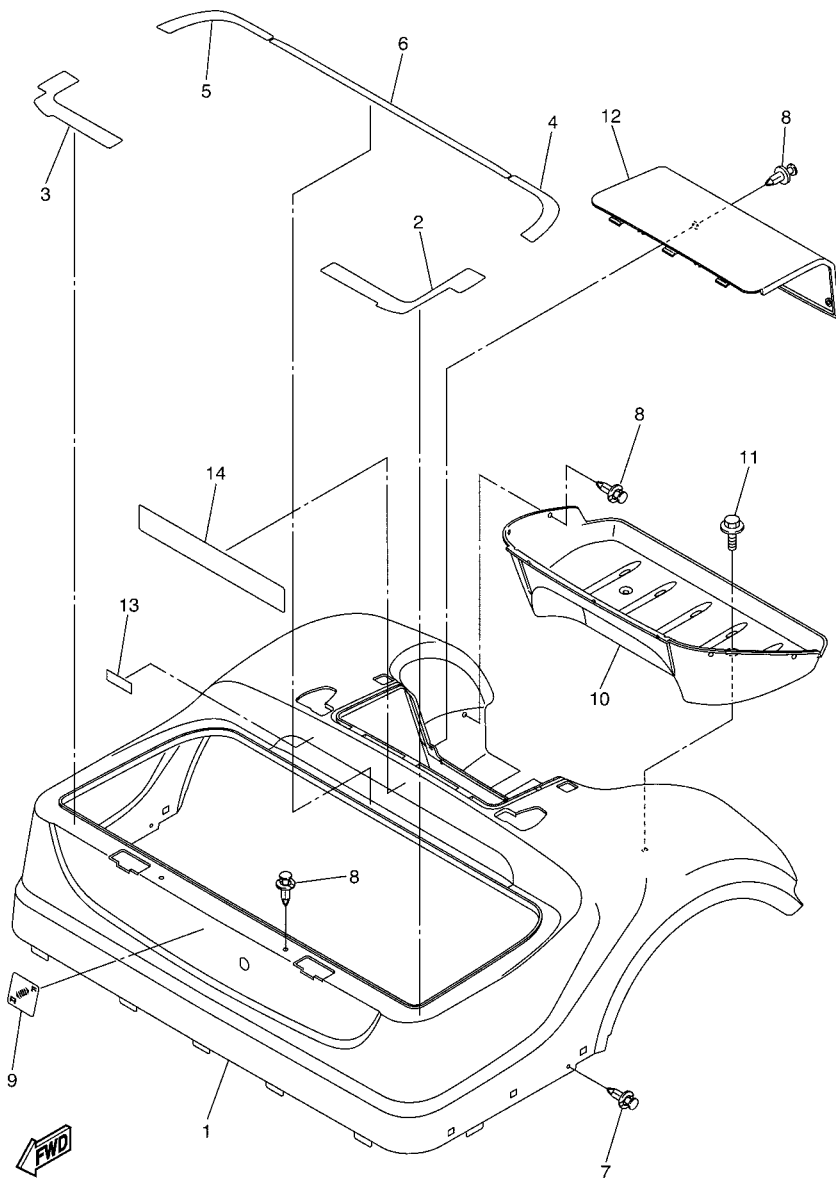


FIG. 24 BODY

REF. NO.	PART NO.	DESCRIPTION	JW15				REMARKS
20	90173-06001	NUT, SQUARE	6				
21	JW1-K8262-00	PLATE, BODY PROTECT 2	1				
22	JW1-F312G-00	PLUG	1				

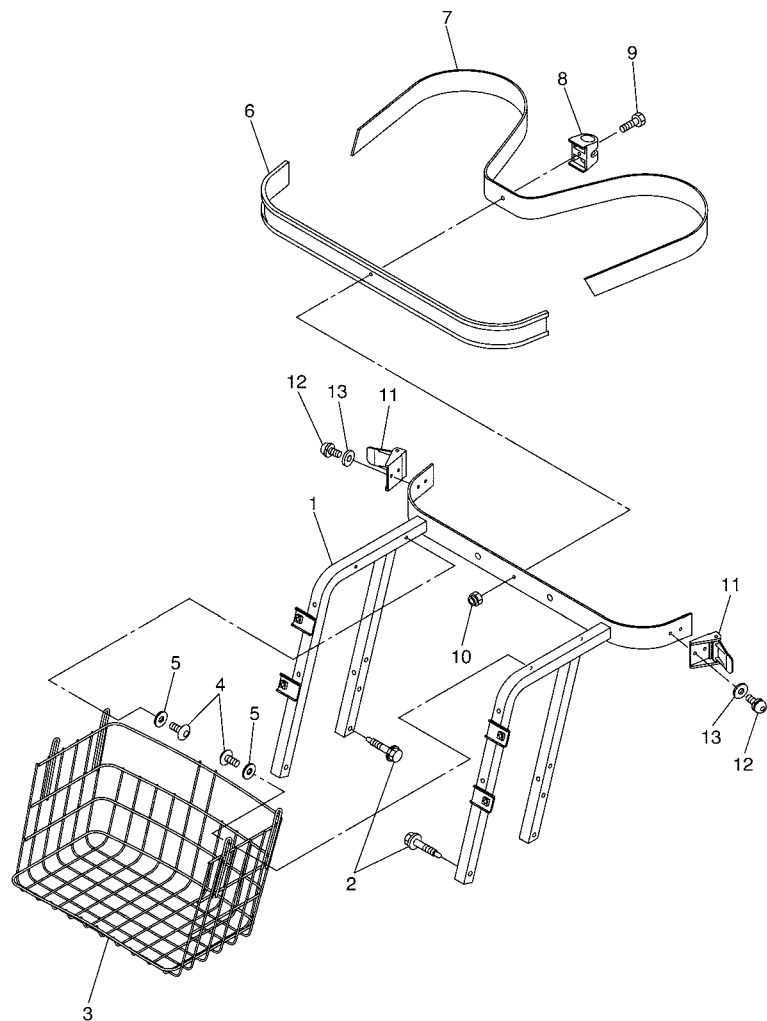


JW14100-H250

FIG. 25 BODY 2

REF. NO.	PART NO.	DESCRIPTION	JW15				REMARKS
1	JW1-K8142-00	PANEL, REAR BODY	1				UR FOR WS7
	JW1-K8142-10	PANEL, REAR BODY	1				UR FOR VDGS1
	JW1-K8142-20	PANEL, REAR BODY	1				UR FOR HTR
	JW1-K8142-30	PANEL, REAR BODY	1				UR FOR LNYM8
	JW1-K8142-40	PANEL, REAR BODY	1				UR FOR NBM7
	JW1-K8142-50	PANEL, REAR BODY	1				UR FOR BMG
	JW1-K8142-60	PANEL, REAR BODY	1				UR FOR DPBMT
2	JW1-F2873-00	SEAL 1	1				
3	JW1-F2874-00	SEAL 2	1				
4	JW1-F2875-00	SEAL 3	1				
5	JW1-F2876-00	SEAL 4	1				
6	JW1-F2877-01	SEAL, 5	1				
7	90269-06804	RIVET	2				
8	90269-08813	RIVET	11				
9	JW1-K7741-00	INDICATOR 1	1				
10	JW1-K8237-00	COVER, REAR FLOOR	1				
11	JW1-K6179-01	BOLT, SPECIAL 1	2				
12	JW1-K8151-00	PANEL, INSPECTION LID 1	1				
13	JN6-H2377-00	LABEL	1				
14	JW1-K8297-01	PLATE, CAUTION 1 (E,F)	1				UR
	JW1-K8297-10	PLATE, CAUTION 1 (G,S)	1				UR

FIG. 27 CARRIER



REF. NO.	PART NO.	DESCRIPTION	JW15				REMARKS
1	JW1-K8423-00	SUPPORT, SEAT BACK	1				
2	90109-08002	BOLT	4				
3	JW1-K8340-00	LUGGAGE RACK ASSY., REAR	1				
4	90110-06102	BOLT, HEXAGON SOCKET HEAD	4				
5	90201-068G7	WASHER, PLATE	4				
6	JF2-K8356-00	PAD, BAG SUPPORT	1				
7	JN6-K8355-20	BAND	1				
8	JW1-K834G-00	HOLDER, RAKE SAND	1				
9	9708R-06020	BOLT	1				
10	90185-06836	NUT, SELF-LOCKING	1				
11	JN6-K8380-00	LOCK ASSY	2				
12	90159-06845	SCREW, WITH WASHER	4				
13	9299R-06200	WASHER	4				



JW11100-E270

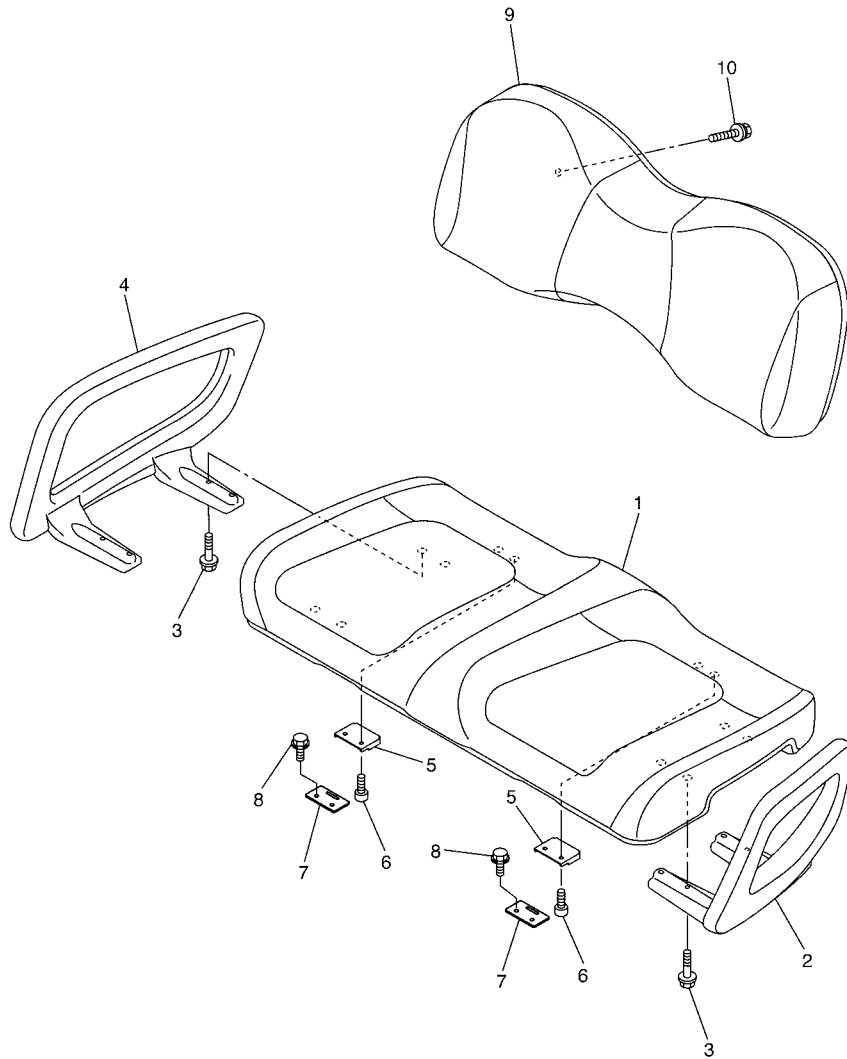
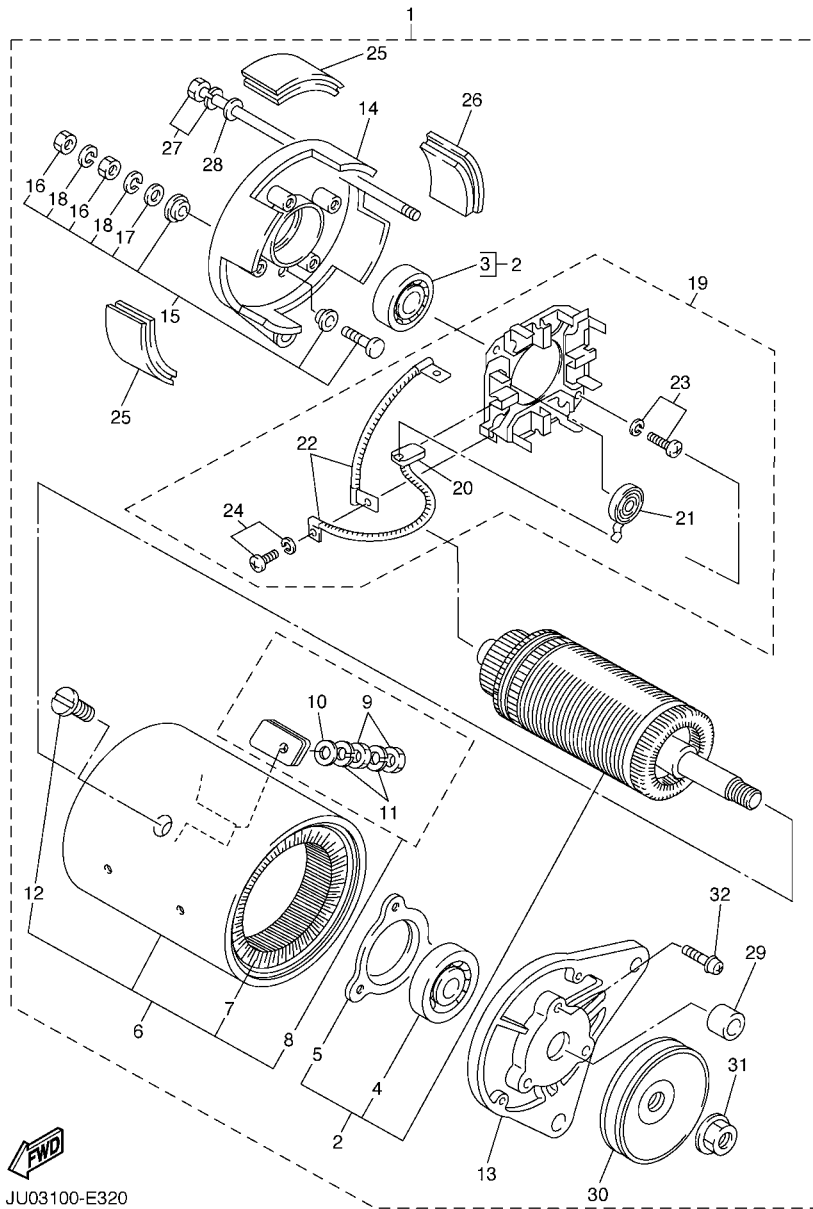


FIG. 28 SEAT

REF. NO.	PART NO.	DESCRIPTION	JW15				REMARKS
1	JW1-K8401-00	SEAT SUB-ASSY,CUSHION	1				
2	JW1-K8361-00	ARM REST 1	1				
3	90105-06042	BOLT, FLANGE	8				
4	JW1-K8362-00	ARM REST 2	1				
5	JW1-K8426-00	HINGE, SEAT 1	2				
6	90110-06125	BOLT, HEXAGON SOCKET HEAD	4				
7	JW1-K8427-00	HINGE, SEAT 2	2				
8	90163-06802	SCREW, TAPPING	4				
9	JW1-K8402-00	SEAT SUB ASSY, BACK	1				
10	90119-06808	BOLT, WITH WASHER	4				



JW11100-E280



JU03100-E320

FIG. 29 STARTING MOTOR

REF. NO.	PART NO.	DESCRIPTION	JW15				REMARKS
1	JN6-H1100-04	STARTER GENERATOR ASSY	1				
2	JN3-H1150-00	.ARMATURE ASSY	1				
3	J10-H1157-10	..BEARING 1	1				
4	J10-H1158-10	..BEARING 2	1				
5	J10-81159-10	..HOLDER, BEARING	1				
6	JN6-H1110-10	..STATOR ASSY	1				
7	JN6-H1160-10	..FIELD COIL ASSY	1				
8	J10-81148-10	..SCREW SET 4	2				
9	9530N-06600	...NUT	2				
10	9290N-06600	...WASHER	1				
11	9290N-06100	...WASHER, SPRING	2				
12	J10-H1146-10	..SCREW 2	4				
13	JN6-H1165-00	.BRACKET, STARTER GENERATOR 1	1				
14	J10-H1166-10	.BRACKET, STARTER GENERATOR 2	1				
15	J10-81147-10	.SCREW SET 3	2				
16	9530N-06600	..NUT	2				
17	9290N-06600	..WASHER	1				
18	9290N-06100	..WASHER, SPRING	2				
19	JN6-H1119-00	.BRUSH HOLDER ASSY	1				
20	JF2-H1111-00	..BRUSH	4				
21	JN6-H1113-00	..SPRING, BRUSH	4				
22	J10-H1115-10	..WIRE, LEAD	2				
23	9850N-05016	..SCREW, PAN HEAD	2				
24	9850N-04010	..SCREW, PAN HEAD	4				
25	J10-81129-10	.COVER, BRUSH	3				
26	J10-H1139-10	..COVER, BRUSH 2	1				
27	J10-H1145-10	.SCREW 1	2				

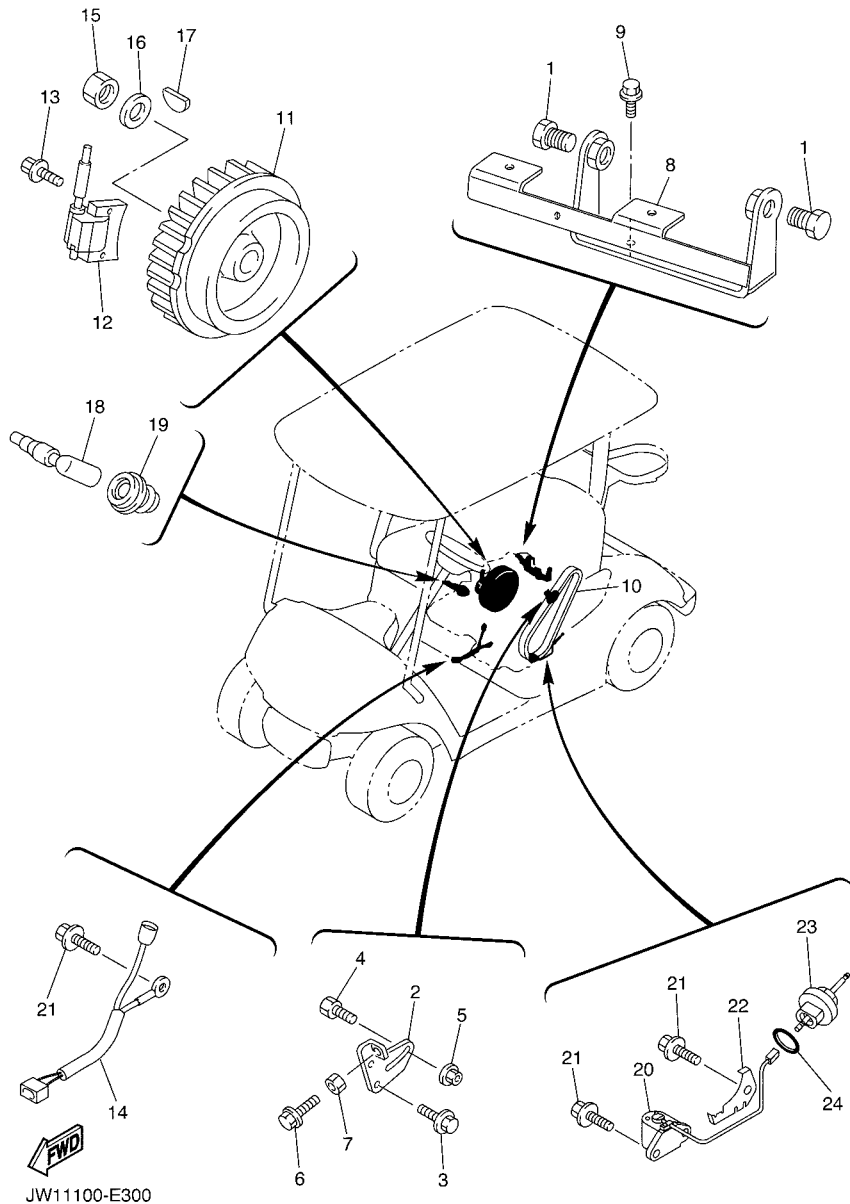


FIG. 30 ELECTRICAL 1

REF. NO.	PART NO.	DESCRIPTION	JW15				REMARKS
1	95812-12030	BOLT, FLANGE	2				
2	JW1-H1170-11	TENSIONER ASSY	1				
3	95822-08020	BOLT, FLANGE	2				
4	90109-08827	BOLT	1				
5	95702-08500	NUT, FLANGE	1				
6	90101-06478	BOLT	1				
7	95302-06600	NUT	1				
8	JN6-H1171-10	BRACKET, STARTER GENERATOR	1				
9	95822-08020	BOLT, FLANGE	2				
10	JW1-H1173-00	BELT	1				
11	JR7-85650-00	ROTOR ASSY	1				
12	JN6-85640-01	T.C.I. UNIT ASSY	1				
13	95822-06025	BOLT, FLANGE	2				
14	JN6-82318-00	WIRE, SUB-LEAD	1				
15	95317-18600	NUT	1				
16	90201-18620	WASHER, PLATE	1				
17	90280-04052	KEY, WOODRUFF	1				
18	JN6-82370-00	PLUG CAP ASSY	1				
19	JE8-82372-00	SEAL, PLUG CAP	1				
20	JT0-85720-00	OIL LEVEL GAUGE ASSY	1				
21	95822-06012	BOLT, FLANGE	4				
22	JT0-85724-00	CLAMP	1				
23	JT0-15362-00	PLUG, OIL LEVEL	1				
24	93210-15414	O-RING	1				

FIG. 31 ELECTRICAL 2

REF. NO.	PART NO.	DESCRIPTION	JW15				REMARKS
1	JW1-H2133-00	SCREW, FITTING	2				
2	J55-H2136-00	PLATE, BATTERY FITTING	1				
3	92902-06200	WASHER	2				
4	95702-06500	NUT, FLANGE	2				
5	JW1-H2115-01	WIRE, PLUS LEAD	1				
6	JW1-H2116-01	WIRE, MINUS LEAD	1				
7	JW1-H2117-00	WIRE, LEAD	1				
8	JW1-H2590-01	WIRE HARNESS ASSY	1				
9	42X-82151-00	.FUSE (10A-BL)	1				
10	JR1-H2150-00	.FUSE HOLDER ASSY	1				
11	JW1-H1950-00	RELAY ASSY	1				
12	90179-05807	.NUT	2				
13	90179-08824	.NUT	2				
14	JN6-H2105-00	WIRE HARNESS	1				
15	90163-06005	SCREW, TAPPING	2				
16	JF2-81910-01	VOLTAGE REGULATOR ASSY	1				
17	90105-06870	BOLT, FLANGE	1				
18	JF7-82817-20	SWITCH	1				
19	98502-05025	SCREW, PAN HEAD	2				
20	92902-05100	WASHER, SPRING	2				
21	92902-05600	WASHER, PLATE	2				
22	JR1-H3383-01	BUZZER	1				
23	JN6-H3386-01	STAY, BUZZER	1				
24	*	BATTERY ASSY (GC-24, 12V)	1				LM
25	4U8-81950-02	RELAY ASSY	1				
26	90464-20237	CLAMP	5				
27	90461-14108	CLAMP	1				

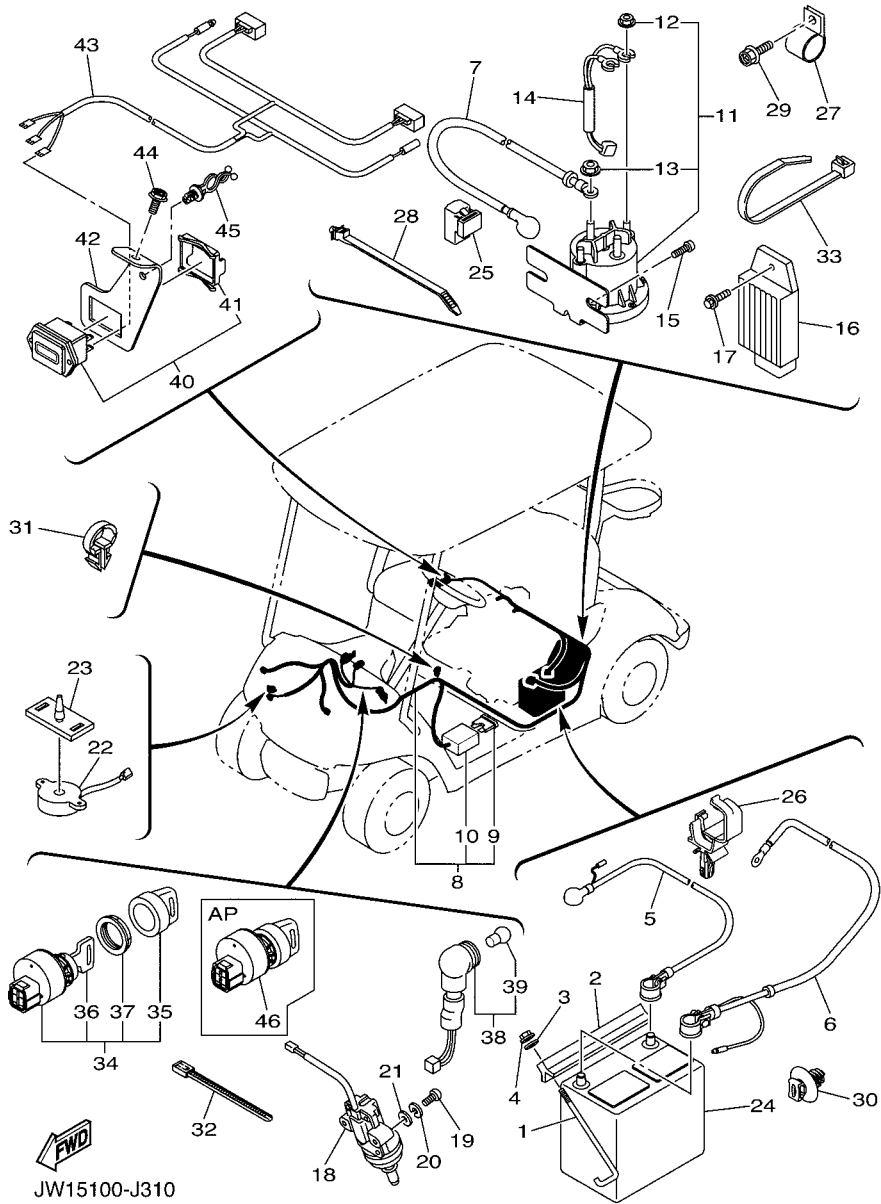
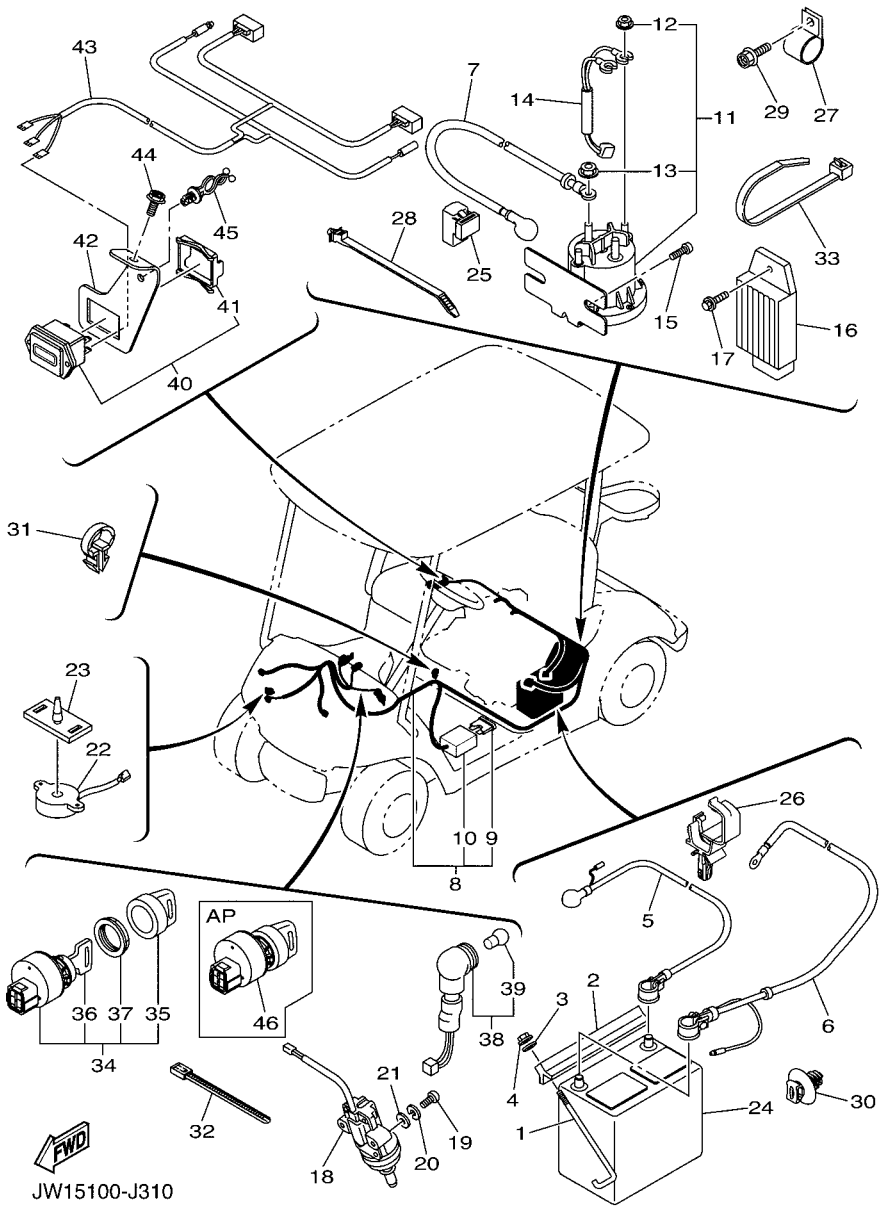


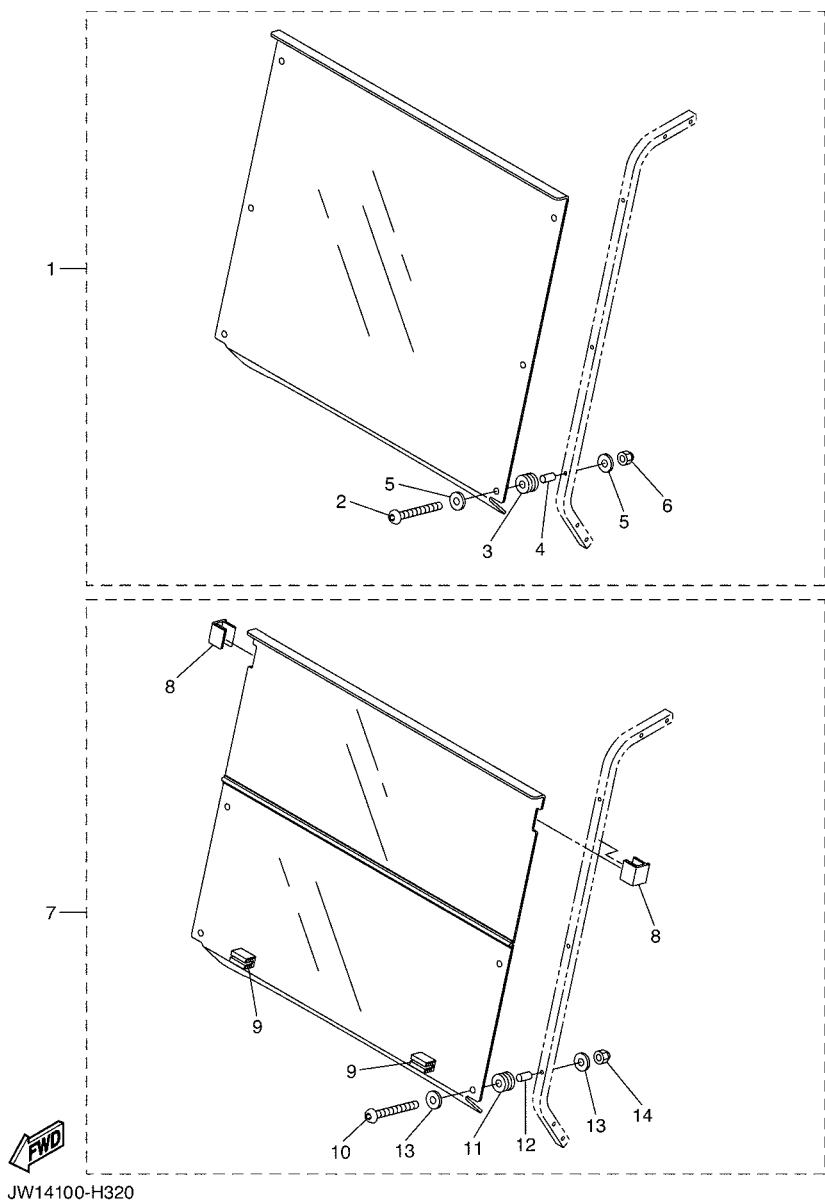
FIG. 31 ELECTRICAL 2

REF. NO.	PART NO.	DESCRIPTION	JW15				REMARKS
28	90464-09823	CLAMP	1				
29	90105-08867	BOLT, FLANGE	1				
30	5UG-F2465-10	HOLDER	2				
31	90464-19815	CLAMP	1				
32	90464-40825	CLAMP	3				
33	90464-76800	CLAMP	1				
34	JW1-H2510-00	MAIN SWITCH ASSY	1				STD
35	5UG-H2579-00	.CAP, KEY	1				
36	JU2-H2511-00	.KEY, MAIN SWITCH	2				
37	JU6-H2569-00	.NUT, MAIN SWITCH	1				
38	JN6-83530-00	PILOT LIGHT ASSY	1				
39	123-83516-21	.BULB (12V-3.4W)	1				
40	JN6-H351C-00	HOUR METER	1				EXCEPT FOR CAN
41	JW1-H1128-00	.CLAMP	1				EXCEPT FOR CAN
42	JW1-F4881-00	BRKT., METER	1				EXCEPT FOR CAN
43	JW1-H2386-00	EXTENSION, WIRE HARNESS	1				EXCEPT FOR CAN
44	90105-06831	BOLT, FLANGE	1				EXCEPT FOR CAN
45	90464-12836	CLAMP	1				EXCEPT FOR CAN
46	JU2-H2510-20	MAIN SWITCH ASSY	1				AP RANOMEKEY



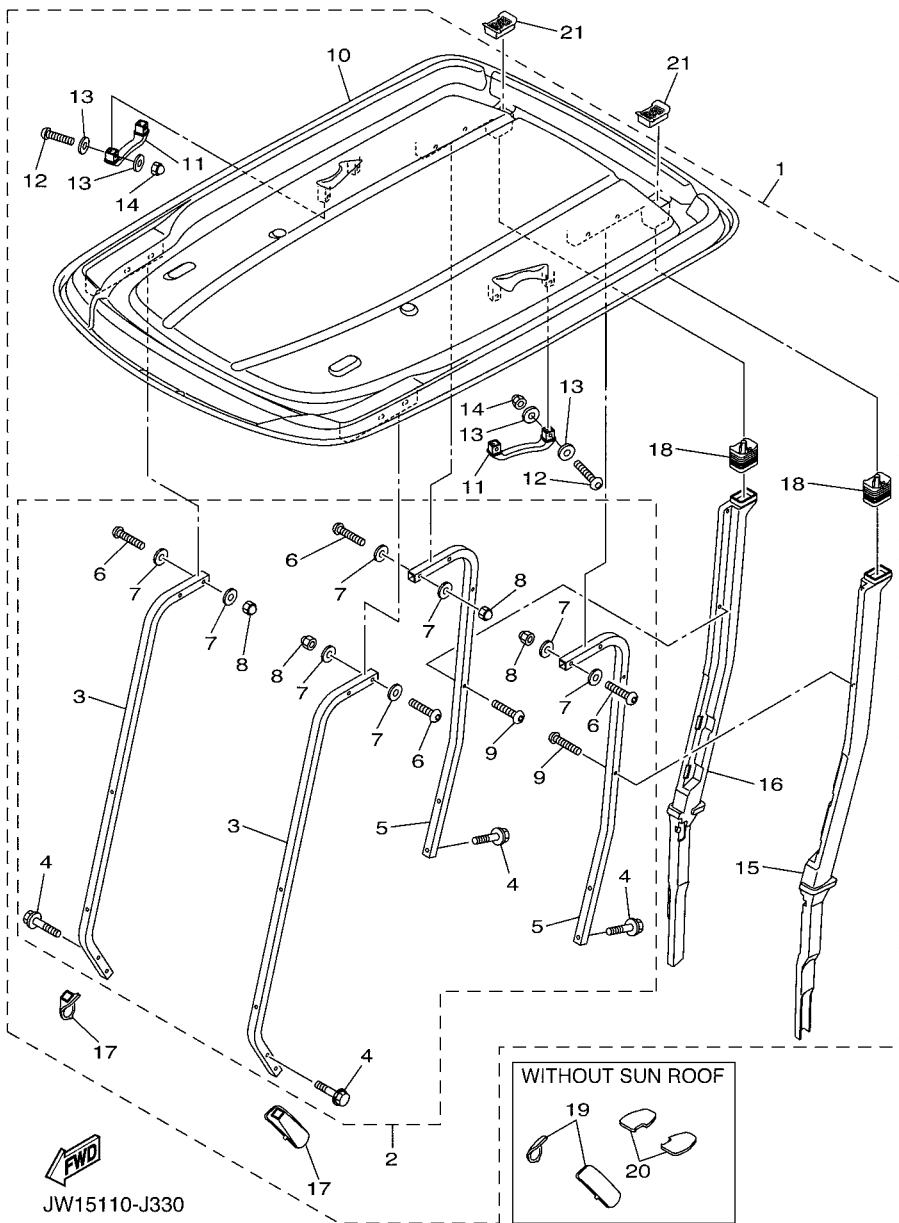
JW15100-J310

FIG. 32 ALTERNATE FOR WINDSHIELD



REF. NO.	PART NO.	DESCRIPTION	JW15				REMARKS
1	JW1-K7200-01	WINDSHIELD ASSY, SOLID (CLEAR)	1				UR AP
	JW1-K7200-11	WINDSHIELD ASSY, SOLID(SMOKE)	1				UR AP
2	JW1-K7237-01	.GROMMET	6				
3	JW1-K7212-00	.BOLT (L: 45MM)	6				UR
	JW1-K7481-00	.BOLT (L: 50MM)	6				UR
4	JW1-K7115-00	.COLLAR	6				
5	90201-068G7	.WASHER, PLATE	12				
6	JW1-K7217-00	.NUT, WIND SHIELD	6				
7	JW1-K7200-21	WINDSHIELD ASSY, HINGED(CLEAR)	1				UR AP
	JW1-K7200-31	WINDSHIELD ASSY, HINGED(SMOKE)	1				UR AP
8	JW1-K7173-00	.LEVER, LATCH 1	2				
9	JW1-K7222-00	.BRACKET, WINDSHIELD(R.H)	2				
10	JW1-K7237-01	.GROMMET	4				
11	JW1-K7212-00	.BOLT (L: 45MM)	4				UR
	JW1-K7481-00	.BOLT (L: 50MM)	4				UR
12	JW1-K7115-00	.COLLAR	4				
13	90201-068G7	.WASHER, PLATE	8				
14	JW1-K7217-00	.NUT, WIND SHIELD	4				

FIG. 33 ALTERNATE FOR SUN ROOF



JW15110-J330

REF. NO.	PART NO.	DESCRIPTION	JW15				REMARKS
1	JW1-K84A0-01	SUN TOP KIT	1				AP
2	JW1-K84A2-00	.HARDWARE KIT, SUN TOP	1				
3	JW1-K8312-00	..SUPPORT, SUN ROOF 1	2				
4	JW1-K8388-00	..BOLT, ROOF 1	8				
5	JW1-K8313-01	..SUPPORT, SUN ROOF 2	2				
6	JU0-K8388-00	..BOLT, ROOF 1	8				
7	JW1-F1549-00	..WASHER, FENDER MOLD	16				
8	JU0-K8398-00	..NUT, ROOF 1	8				
9	JW1-K7387-00	..SCREW	4				
10	JW1-K8314-10	.COVER, SUN ROOF	1				
11	JW1-K8214-00	.GRIP, HAND	2				
12	JU0-K8388-00	.BOLT, ROOF 1	4				
13	JW1-F1549-00	.WASHER, FENDER MOLD	8				
14	JU0-K8398-00	.NUT, ROOF 1	4				
15	JW1-F413G-00	.TUBE, DRAIN	1				
16	JW1-F413J-00	.TUBE, DRAIN 2	1				
17	JW1-K832F-01	.GROMMET, ROOF SUPPORT 1	2				
18	JW1-F414G-10	.SEAL	2				
19	JW1-K832H-00	GROMMET, ROOF SUPPORT 3	2				
20	JW1-K833H-00	GROMMET, ROOF SUPPORT 4	2				
21	JW1-K8482-00	CAP, END	2				

NUMERICAL INDEX

PART NO.	REF. NO.	PART NO.	REF. NO.	PART NO.	REF. NO.	PART NO.	REF. NO.	PART NO.	REF. NO.	PART NO.	REF. NO.
JT0-11111-00	2 - 1	7E1-14191-00	7 - 22	JN6-85640-01	30 - 12	JW1-F339Y-00	16 - 22	JW1-F5658-00	16 - 25	JW1-G4127-00	20 - 40
JN6-11116-00	2 - 10	1KT-14197-01	7 - 25	JR7-85650-00	30 - 11	JW1-F3400-00	14 - 11	JW1-F5659-00	16 - 24		20 - 50
JN6-11133-10	2 - 2	127-14198-00	7 - 14	JT0-85720-00	30 - 20	5UG-F3489-00	14 - 21	JW1-F5666-00	16 - 32	JW1-G4132-00	20 - 4
JR7-11163-00	2 - 17	7NJ-14211-00	7 - 6	JT0-85724-00	30 - 22	JU0-F3511-01	13 - 4	JW1-F5672-00	16 - 40	JW1-G4135-00	20 - 15
JN6-11168-00	2 - 11	73A-14212-00	7 - 23	JN6-E1166-00	2 - 15	JW1-F3512-00	13 - 5	JW1-F5673-00	16 - 42	JW1-G4156-00	20 - 36
JN6-11169-00	2 - 12	73A-14212-10	7 - 7	JW1-E2691-00	5 - 9	JU0-F3521-01	13 - 13	JW1-F5677-00	16 - 44		20 - 46
JT0-11181-00	2 - 3		7 - 19	JU0-E3505-09	6 - 14	5UG-F3527-00	14 - 22	JW1-F5734-00	16 - 14	JW1-G4165-00	20 - 63
JN6-11191-01	2 - 9	J10-14227-00	7 - 5	JU0-E4411-00	6 - 10	JU0-F3570-20	13 - 1	JU0-F5735-00	16 - 27	JW1-G4178-00	20 - 43
JN6-11193-00	2 - 13	3G2-1423A-67	7 - 11	JU0-E4412-00	6 - 11	JW1-F3811-01	14 - 1	JW1-F5744-00	16 - 15		20 - 53
812-11198-00	9 - 10	3G2-1423A-68-A0	7 - 11	5UH-E4424-00	6 - 17	JN3-F3814-01	14 - 5	JW1-F5754-00	16 - 16	JW1-G4188-00	20 - 8
JN6-11400-00	3 - 1	3G2-1423E-33-A0	7 - 11	JU0-E4450-00	6 - 12	JW1-F3822-00	14 - 30	JW1-F582M-00	16 - 21	JW1-G4189-00	20 - 6
JN6-11454-00	3 - 8	JN6-14291-00	7 - 4	JU0-E445E-00	6 - 13	JU0-F3828-00	14 - 4	JW1-F5866-01	16 - 17	JW1-G4526-00	20 - 56
JR7-11610-00	3 - 3	7KY-14613-01	8 - 3	JW1-E4710-10	8 - 1	1P0-F3833-00	14 - 27	JW1-F6311-00	16 - 47	JW1-G4582-00	20 - 5
JR7-11610-10	3 - 3	1WG-14922-00	7 - 18	JW1-F1128-00	16 - 7	JW1-F3837-00	14 - 23	JW1-F6312-00	6 - 18	JW1-G4583-00	20 - 39
JR7-11610-20	3 - 3	JN6-1495H-3B	7 - 9	JU0-F1436-00	8 - 2	JN3-F3838-00	14 - 6	JW1-F6331-00	6 - 19		20 - 49
JR7-11631-00-A0	3 - 2	JR7-15100-00	9 - 1	JW1-F1549-00	33 - 7	5UG-F3844-00	14 - 20	JU0-F6333-00	6 - 20	JW1-G5618-00	20 - 10
583-11633-00	3 - 4	JR7-15123-00	9 - 4		33 - 13	JW1-F384K-00	20 - 25	JW1-F6341-10	16 - 1	JW1-G5677-00	20 - 9
JR7-11635-00	3 - 2	JN6-15155-00	9 - 2	JW1-F16A2-00	20 - 23	JU0-F3857-11	14 - 3	JW1-F6466-01	16 - 18	JW1-G5874-00	20 - 42
JR7-11636-00	3 - 2	J38-15361-00	9 - 22	JW1-F16A3-00	20 - 18	JW1-F3866-00	14 - 25	JW1-F7117-00	16 - 8		20 - 52
JN6-11650-00	3 - 6	JT0-15362-00	30 - 23	JW1-F1738-00	12 - 3	JW1-F387A-00	14 - 12	JW1-F720G-00	16 - 5	JW1-G6110-00	20 - 24
JN6-11654-00	3 - 7	796-15363-01	9 - 20		15 - 5	JW1-F387E-00	14 - 15	JW1-F7211-01	16 - 30	JW1-G6114-00	20 - 55
JN6-12111-01	4 - 2	JR7-15407-00	9 - 3	JW1-F1977-01	15 - 16	5UG-F387F-00	14 - 18	JW1-F7213-00	16 - 36	JW1-G6117-00	20 - 12
J38-12117-01	4 - 6	JN6-15411-01	9 - 12	JW1-F2110-00	11 - 1	5UG-F387G-00	14 - 16	JW1-F7216-00	16 - 26	JW1-G6128-00	20 - 37
J38-12118-00	4 - 7	JY2-15451-00	9 - 16	JN6-F2123-10	11 - 2	5UG-F387J-00	14 - 19	JW1-F7217-00	16 - 9		20 - 47
4G0-12119-00	4 - 13	JR6-19001-00	1 - 1	JN6-F2124-10	11 - 8	5UG-F387K-00	14 - 17	JW1-F7218-00	16 - 11	JW1-G6131-00	20 - 31
7RH-12121-00	4 - 3	JT0-21481-00	10 - 3	JW1-F2176-00	20 - 35	JW1-F3894-00	14 - 26	JW1-F7227-00	16 - 10	JW1-G6137-00	20 - 17
JN6-12151-00	4 - 8	401-22128-01	13 - 17		20 - 45	JW1-F4111-01	15 - 1	JW1-F7232-00	16 - 6	JW1-G6153-00	20 - 20
JN6-12153-00	4 - 4	2NL-23448-00	13 - 10	JW1-F217G-10	11 - 12	JW1-F413G-00	33 - 15	JW1-F7238-00	16 - 13	JW1-G6158-00	20 - 7
JR7-12154-01	4 - 12	2NL-23517-00	13 - 12	JW1-F2210-10	11 - 14	JW1-F413J-00	33 - 16	JW1-F723F-01	16 - 19	JW1-G6164-00	20 - 13
J38-12156-00	4 - 11	2HR-23526-00	13 - 3	JW1-F2277-00	11 - 13	JW1-F414G-10	33 - 18	JW1-F723G-00	16 - 20	JW1-G6165-00	20 - 14
22F-12159-00	4 - 9	JU0-23841-10	14 - 28	5UG-F2465-10	31 - 30	JW1-F4161-00	24 - 5	JW1-F7243-00	16 - 35	JW1-G6168-00	20 - 2
JR7-12170-00	4 - 1	J38-27951-00	17 - 1	JW1-F2501-10	12 - 1	JW1-F4300-00	15 - 2	JW1-F7249-00	16 - 33	JW1-G6201-00	18 - 1
JN6-12616-00	5 - 3	J38-27959-00	17 - 5	JW1-F258G-02	12 - 4	JW1-F4311-00	15 - 11	JW1-F7252-00	16 - 29	JW1-G6202-00	19 - 1
JN6-12621-02	5 - 1	JF2-46382-00	21 - 6	JW1-F2873-00	25 - 2	JW1-F4312-00	15 - 9	JW1-F7254-00	16 - 39	JW1-G621E-00	18 - 4
JN6-12651-00	5 - 5	J10-81129-10	29 - 25	JW1-F2874-00	25 - 3	JW1-F4313-00	15 - 12	JW1-F7257-10	16 - 41	JW1-G6232-00	18 - 3
JN6-12652-00	5 - 7	J10-81147-10	29 - 15	JW1-F2875-00	25 - 4	JW1-F4314-00	15 - 13	JW1-F7275-00	16 - 34	JW1-G6241-10	18 - 7
JR7-12658-00	5 - 6	J10-81148-10	29 - 8	JW1-F2876-00	25 - 5	JU5-F4375-00	15 - 3	JW1-F7411-10	12 - 2	JW1-G6244-00	19 - 2
JN6-13567-00	6 - 3	J10-81159-10	29 - 5	JW1-F2877-01	25 - 6	JN6-F4410-11	15 - 7	JW1-F7814-00	16 - 38	JW1-G6249-01	18 - 5
JN6-13595-00	6 - 1	JF2-81910-01	31 - 16	JW1-F312G-00	24 - 22	JN6-F4560-00	15 - 10	JW1-F7825-00	16 - 23	JW1-G6256-00	18 - 2
JR6-14101-00	7 - 1	4U8-81950-02	31 - 25	JW1-F3147-01	16 - 43	JN6-F4610-00	15 - 4	JW1-F7850-10	16 - 4	JW1-G6276-00	19 - 3
7LV-14118-00	7 - 24	42X-82151-00	31 - 9	JW1-F3183-00	14 - 13	JW1-F467K-00	14 - 24	JW1-F7853-00	16 - 37	JW1-G6280-00	19 - 4
732-14142-65-A0	7 - 8	JN6-82318-00	30 - 14	JW1-F3188-00	16 - 45	JW1-F4684-00	20 - 3	JW1-F7855-00	16 - 12	JW1-G6300-00	20 - 1
73A-1414G-00	7 - 10	JN6-82370-00	30 - 18	JW1-F3350-10	13 - 15	JW1-F4881-00	31 - 42	JW1-F785A-10	16 - 31	JW1-G6320-00	20 - 27
JN5-14150-00	7 - 16	JE8-82372-00	30 - 19	JW1-F3390-10	13 - 20	JW1-F5100-00	22 - 1	JW1-F7871-00	16 - 28	JW1-G6328-00	20 - 30
7R1-14162-00	7 - 15	JN3-82617-01	21 - 20	JW1-F3394-00	15 - 8	JN6-F5118-01	13 - 30	JW1-G1661-00	20 - 64	JW1-G6336-00	20 - 54
796-14184-00	7 - 12	JF7-82817-20	31 - 18	JW1-F3396-00	24 - 3		20 - 65	JW1-G2548-00	18 - 6	JW1-G633H-00	20 - 59
JN6-14185-00	7 - 13	123-83516-21	31 - 39		26 - 3	JW1-F536G-00	20 - 19	JW1-G2758-00	19 - 8	JW1-G633J-00	20 - 41
22F-14186-00	7 - 17	JN6-83530-00	31 - 38	JW1-F339Y-00	14 - 14	JW1-F5415-00	19 - 5	JW1-G4120-00	20 - 26		20 - 51

NUMERICAL INDEX

PART NO.	REF. NO.	PART NO.	REF. NO.	PART NO.	REF. NO.	PART NO.	REF. NO.	PART NO.	REF. NO.	PART NO.	REF. NO.
JW1-G6344-00	20 - 60	JW1-H2117-00	31 - 7	JW1-K8115-51	24 - 1	JW1-K8402-00	28 - 9	90185-12061	14 - 7	90468-20196	16 - 3
JW1-G6345-00	20 - 58	JW1-H2133-00	31 - 1	JW1-K8115-61	24 - 1	JW1-K8423-00	27 - 1	90201-04810	14 - 36	90501-264A9	4 - 5
JW1-G6348-00	20 - 28	J55-H2136-00	31 - 2	JW1-K8142-00	25 - 1	JW1-K8426-00	28 - 5	90201-05800	21 - 1	90502-10013	14 - 37
JW1-G6356-00	20 - 29	JR1-H2150-00	31 - 10	JW1-K8142-10	25 - 1	JW1-K8427-00	28 - 7	90201-068G7	27 - 5	90508-16460	16 - 52
JW1-G6361-00	20 - 32	JN6-H2377-00	25 - 13	JW1-K8142-20	25 - 1	JW1-K8482-00	33 - 21		32 - 5	90508-40678	17 - 4
JW1-G6362-00	20 - 33	JW1-H2386-00	31 - 43	JW1-K8142-30	25 - 1	JW1-K84A0-01	33 - 1		32 - 13	90560-05001	16 - 53
JW1-G6371-01	21 - 4	JW1-H2510-00	31 - 34	JW1-K8142-40	25 - 1	JW1-K84A2-00	33 - 2	90201-080E4	8 - 6	90560-08251	15 - 6
JN3-G6372-00	21 - 18	JU2-H2510-20	31 - 46	JW1-K8142-50	25 - 1	JG5-WF511-10	13 - 22	90201-10057	2 - 5	91401-20012	21 - 9
JN3-G6376-00	21 - 11	JU2-H2511-00	31 - 36	JW1-K8142-60	25 - 1	90101-06478	30 - 6		9 - 19	91401-20015	16 - 49
JN3-G6381-00	21 - 10	JU6-H2569-00	31 - 37	JW1-K8151-00	25 - 12	90105-05005	21 - 2	90201-128S4	11 - 11	91402-25020	13 - 8
JW1-G6383-01	21 - 5	5UG-H2579-00	31 - 35	JW1-K8164-00	23 - 2	90105-06042	28 - 3	90201-18620	30 - 16		14 - 10
JW1-G6443-00	20 - 11	JW1-H2590-01	31 - 8	JW1-K8174-00	23 - 6	90105-06831	12 - 5	90201-198S7	21 - 13	91701-06014	21 - 7
JW1-G6510-00	20 - 34	JR1-H3383-01	31 - 22	JW1-K818A-00	26 - 2		31 - 44	90201-208S8	21 - 12	91701-06016	16 - 48
JW1-G6520-00	20 - 44	JN6-H3386-01	31 - 23	JW1-K818B-00	26 - 5	90105-06862	6 - 16	90208-14801	13 - 28	91701-10028	16 - 2
JW1-G6540-00	20 - 16	JN6-H351C-00	31 - 40	JW1-K8191-00	26 - 6	90105-06870	21 - 19	90209-08018	19 - 9	91702-05010	6 - 5
JW1-G6542-00	20 - 38	JW1-K6179-01	25 - 11	JW1-K8192-00	26 - 7		24 - 4	90267-63047	24 - 2		6 - 8
	20 - 48	JW1-K7115-00	32 - 4	JW1-K8214-00	33 - 11		31 - 17	90269-06804	24 - 15	91702-05014	16 - 50
JW1-G6550-00	20 - 21		32 - 12	JW1-K8233-10	24 - 12	90105-08007	19 - 6		25 - 7	92902-04100	7 - 21
JW1-G6554-00	20 - 57	JW1-K7173-00	32 - 8	JW1-K8237-00	25 - 10	90105-08867	31 - 29		26 - 4		21 - 16
JW1-G6854-00	20 - 22	JW1-K7200-01	32 - 1	JW1-K8245-00	24 - 17	90105-088B0	23 - 3	90269-07001	24 - 9	92902-04600	21 - 17
	20 - 61	JW1-K7200-11	32 - 1	JW1-K8261-00	24 - 18	90105-10064	13 - 9	90269-08813	5 - 10	92902-05100	31 - 20
JW1-G6894-00	20 - 62	JW1-K7200-21	32 - 7	JW1-K8262-00	24 - 21	90105-10267	13 - 14		25 - 8	92902-05600	31 - 21
JW1-G8330-01	21 - 3	JW1-K7200-31	32 - 7	JW1-K8270-00	26 - 1		13 - 21	90269-09003	24 - 13	92902-06200	31 - 3
JN6-H1100-04	29 - 1	JW1-K7212-00	32 - 3	JW1-K8273-00	24 - 16	90105-10728	13 - 6		24 - 14	92902-06600	21 - 8
JN6-H1110-10	29 - 6		32 - 11	JW1-K8297-01	25 - 14	90105-10847	14 - 29	90280-04052	30 - 17	92902-08100	8 - 8
JF2-H1111-00	29 - 20	JW1-K7217-00	32 - 6	JW1-K8297-10	25 - 14	90105-13800	11 - 3	90340-12097	9 - 9	92902-08200	19 - 7
JN6-H1113-00	29 - 21		32 - 14	JW1-K8312-00	33 - 3	90109-08002	27 - 2	90381-17067	13 - 11	92902-08600	8 - 9
J10-H1115-10	29 - 22	JW1-K7222-00	32 - 9	JW1-K8313-01	33 - 5	90109-08827	30 - 4	90381-18001	13 - 2		14 - 32
JN6-H1119-00	29 - 19	JW1-K7237-01	32 - 2	JW1-K8314-10	33 - 10	90110-06007	24 - 19	90386-08141	17 - 3	92902-10100	11 - 6
JW1-H1128-00	31 - 41		32 - 10	JW1-K832F-01	33 - 17	90110-06102	27 - 4	90387-046N7	14 - 38	92902-10200	10 - 2
J10-H1139-10	29 - 26	JW1-K7387-00	33 - 9	JW1-K832H-00	33 - 19	90110-06125	28 - 6	90387-12016	13 - 16	92902-10600	11 - 7
J10-H1145-10	29 - 27	JW1-K7481-00	32 - 3	JW1-K833H-00	33 - 20	90111-05805	24 - 7	90387-241M7	13 - 26	92902-12200	14 - 8
J10-H1146-10	29 - 12		32 - 11	JW1-K8340-00	27 - 3	90114-12806	13 - 23	90461-14108	31 - 27	9290N-06100	29 - 11
JN3-H1150-00	29 - 2	JW1-K7510-00	23 - 1	JW1-K834G-00	27 - 8	90119-06808	28 - 10	90464-09823	31 - 28		29 - 18
J10-H1157-10	29 - 3	JW1-K7540-00	23 - 5	JN6-K8355-20	27 - 7	90119-06884	6 - 4	90464-12836	15 - 17	9290N-06600	29 - 10
J10-H1158-10	29 - 4	JW1-K7741-00	25 - 9	JF2-K8356-00	27 - 6	90159-06107	9 - 5		31 - 45		29 - 17
JN6-H1160-10	29 - 7	JU0-K7762-00	14 - 39	JN3-K8357-00	14 - 33	90159-06845	27 - 12	90464-19815	31 - 31		29 - 28
JN6-H1161-00	29 - 30	JU0-K7762-10	14 - 39	JN6-K8358-01	14 - 34	90163-06005	31 - 15	90464-20237	31 - 26	92990-05100	7 - 3
JN6-H1165-00	29 - 13	JU0-K7762-20	14 - 39	JW1-K835E-00	24 - 11	90163-06802	28 - 8	90464-40825	31 - 32	9299R-06200	27 - 13
J10-H1166-10	29 - 14	JW1-K7768-00	24 - 10	JW1-K8361-00	28 - 2	90170-05302	4 - 10	90464-76800	21 - 22	93102-30083	13 - 27
JW1-H1170-11	30 - 2	JW1-K7768-10	24 - 10	JW1-K8362-00	28 - 4	90173-06001	24 - 20		31 - 33	93102-35014	9 - 7
JN6-H1171-10	30 - 8	JW1-K7768-20	24 - 10	JN6-K8380-00	27 - 11	90179-05807	31 - 12	90465-06038	21 - 21		9 - 14
JW1-H1173-00	30 - 10	JW1-K8114-01	24 - 6	JU0-K8388-00	33 - 6	90179-08824	31 - 13	90467-10846	15 - 15	93210-15414	30 - 24
JN3-H1661-00	29 - 29	JW1-K8115-01	24 - 1		33 - 12	90179-08825	8 - 4	90467-12845	15 - 14	93210-22344	9 - 21
JW1-H1950-00	31 - 11	JW1-K8115-11	24 - 1	JW1-K8388-00	33 - 4	90179-12262	22 - 2	90467-13847	2 - 18	93210-398D6	6 - 15
JN6-H2105-00	31 - 14	JW1-K8115-21	24 - 1	JU0-K8398-00	33 - 8	90179-13800	11 - 4	90468-10049	6 - 6	93306-005Y3	13 - 25
JW1-H2115-01	31 - 5	JW1-K8115-31	24 - 1		33 - 14	90183-05008	24 - 8		6 - 9	93306-20201	9 - 8
JW1-H2116-01	31 - 6	JW1-K8115-41	24 - 1	JW1-K8401-00	28 - 1	90185-06836	27 - 10		16 - 51		9 - 15

NUMERICAL INDEX

PART NO.	REF. NO.	PART NO.	REF. NO.	PART NO.	REF. NO.	PART NO.	REF. NO.	PART NO.	REF. NO.	PART NO.	REF. NO.
93306-204X0	13 - 24	97702-60520	5 - 4								
93306-20714	9 - 13	98502-04016	21 - 15								
93306-30709	9 - 6	98502-05025	31 - 19								
93450-21053	3 - 5	98507-04010	7 - 20								
94702-00343	2 - 8	98507-05008	7 - 2								
94702-00348	2 - 8	9850N-04010	29 - 24								
95302-06600	17 - 2	9850N-05016	29 - 23								
	30 - 7	9850N-05018	29 - 32								
9530N-06600	29 - 9	99001-07600	6 - 7								
	29 - 16	99009-19400	21 - 14								
95317-18600	30 - 15	99530-08016	9 - 11								
95602-06200	17 - 6	99530-14016	2 - 6								
95602-08200	8 - 5										
95602-08710	2 - 16										
95602-10200	10 - 1										
	11 - 16										
	13 - 7										
	23 - 7										
95602-12200	11 - 10										
	14 - 9										
95602-14100	13 - 29										
95612-12100	13 - 19										
95622-08618	2 - 7										
95702-06500	31 - 4										
95702-08500	6 - 2										
	30 - 5										
95802-06020	5 - 2										
	5 - 8										
95812-08020	14 - 2										
	16 - 46										
95812-08045	9 - 17										
95812-10055	11 - 15										
95812-12030	30 - 1										
95812-12065	11 - 9										
95812-12080	13 - 18										
95822-06012	23 - 4										
	30 - 21										
95822-06025	30 - 13										
95822-06030	2 - 14										
95822-08020	30 - 3										
	30 - 9										
97002-08025	8 - 7										
97012-08030	14 - 31										
97012-10020	11 - 5										
97012-10050	9 - 18										
97012-10070	2 - 4										
9708R-06020	27 - 9										
97702-40525	14 - 35										