



PARTS CATALOGUE

YDRE3 PTV (JC11) CANADA,EUROPE,OTHERS



2011-6-20

1JJC1-100E1

()

NEWS No.	DATE	COMMENT
PE0-GC-110001	Mar.,7,2011	MOD: FIG.4 LIST MODIFICATION
PE0-GC-110004	Jun, 20,2011	COR: BATTERY CHARGER LIST/ILLUST. CORRECTION

YDRE3 PTV
PARTS CATALOGUE
©2009 by Yamaha Motor Co., Ltd.
1st edition, July 2009
All rights reserved.
Any reprinting or unauthorized use
without the written permission of
Yamaha Motor Co., Ltd.
is expressly prohibited.
Printed in Japan.

FOREWORD

This Parts Catalogue is related to the parts for the model(s) on the cover page. When you are ordering replacement parts, please refer to this Parts Catalogue and quote both part numbers and part names correctly.

1. Modifications or additions which have been made after the issue of the Parts Catalogue will be announced in the Parts News.

It is advisable that you make the necessary corrections to the Parts Catalogue according to the Parts News.

2. Abbreviations

The following abbreviations are used in this Parts Catalogue.

“UR” Use specified parts number.

“UN” Use as many as needed.

“AP” Alternate Parts

“LM” Locally Made (Parts need to be ordered locally)

“F#” Frame No. (Applicable machine No.)

“O/S” Over Size

3. The number of components for assembly

- Parts, which are to be supplied in an assembly, are listed with a dot (.) in front of the part name as shown below.
- The numeral appearing to the right of each component part indicates the quantity of parts for each assembly unit.

PART NO.	DESCRIPTION	Q'TY	REMARKS
2F5-83310-60	FRONT FLASHER LIGHT ASSY	2	
115-83311-60	.BULB (6V-18W)	1	

4. Applicable colours of graphics are represented in the “REMARKS” as shown below.

PART NO.	DESCRIPTION	Q'TY	REMARKS
2N4-24110-00-X5	FUEL TANK COMP.	2	MXR
3J1-24240-10	.GRAPHIC, FUEL TANK	1	FOR MXR

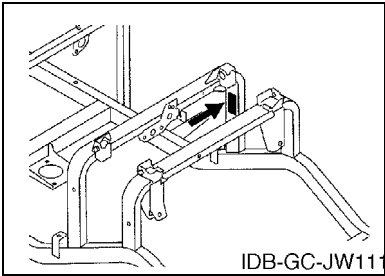
5. Note that the illustrations for reference in finding parts numbers are not to be used for assembling. When assembling, please use the applicable service manual.

6. The asterisk (*) before a reference number indicates modified items after the first edition.

FOREWORD

7. Applicable Serial No.

Frame Serial No.



10. Applicable Starting Serial No.

Frame Serial No.

Serial No.	Name Of Q'ty Column	Model Code
JC1-000101	JC11	JC11

8. Applicable Colour Code (The (*) mark shows Model colour.)

Abbreviation	Colour Name	Colour Code
BMG(*)	BLACK METALLIC G	1050
DPBMT(*)	DEEP PURPLISH BLUE METALLIC T	0978
HTR(*)	HEAT RED	00EY
LN YM8(*)	LIGHT GRAYISH YELLOW ME 8	1047
NBM7(*)	GRAYISH BLUE METALLIC 7	1046
VDGS1(*)	VERY DARK GREEN SOLID 1	0614
WS7(*)	WHITE SOLID 7	1045

9. Quantity Column Information

Column No.	Name Of Q'ty Column	Destination
1	JC11	CANADA,EUROPE,OTHERS

CONTENTS

BODY

REAR ARM & SUSPENSION	1
FRAME	2
FRONT SUSPENSION	3
STEERING	5
PEDAL ASSEMBLY	7
TRANSAXLE & BRAKE	9
WHEEL	11
BUMPER	12
BODY	13
BODY 2	15
BODY FITTING	16
CARRIER	17
SEAT	18

ELECTRICAL

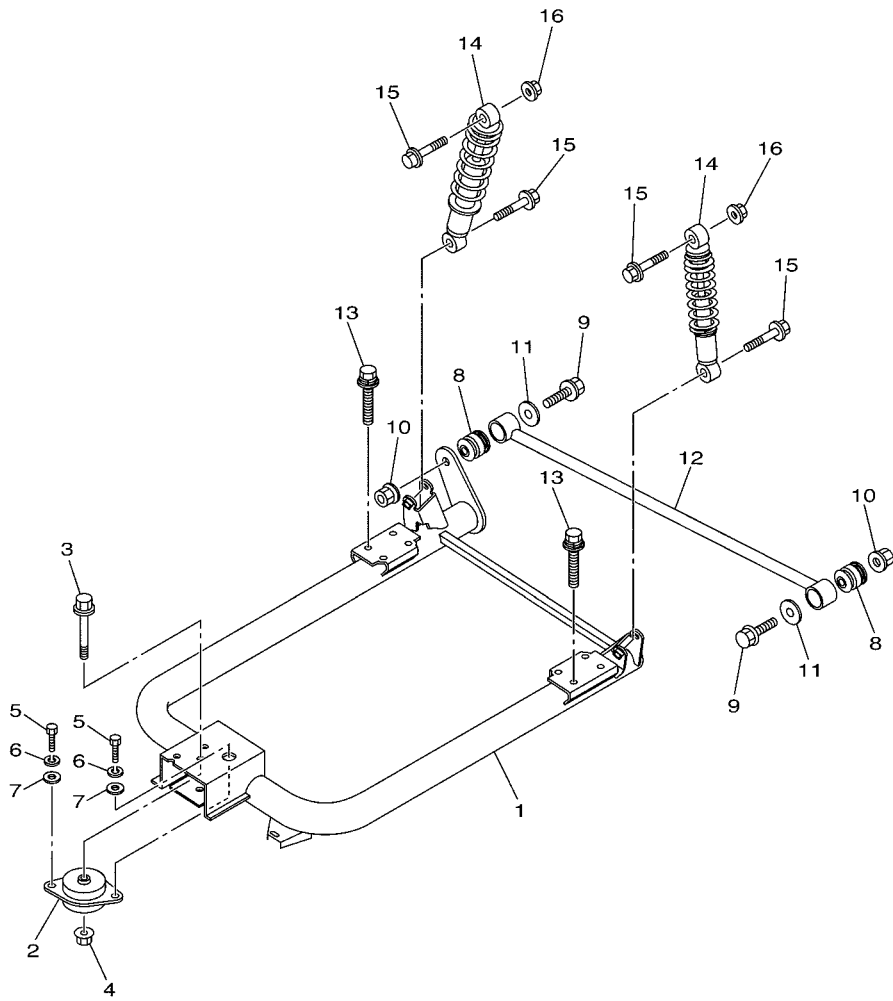
ELECTRIC MOTOR	19
HEAD & TAIL LIGHT	21
CONTROLLER 1	23
ELECTRICAL 1	24
BATTERY CHARGER	27
ALTERNATE FOR WINDSHIELD	28
ALTERNATE FOR SUN ROOF	29

INDEX

NUMERICAL INDEX	30
-----------------------	----

FIG. 1 REAR ARM & SUSPENSION

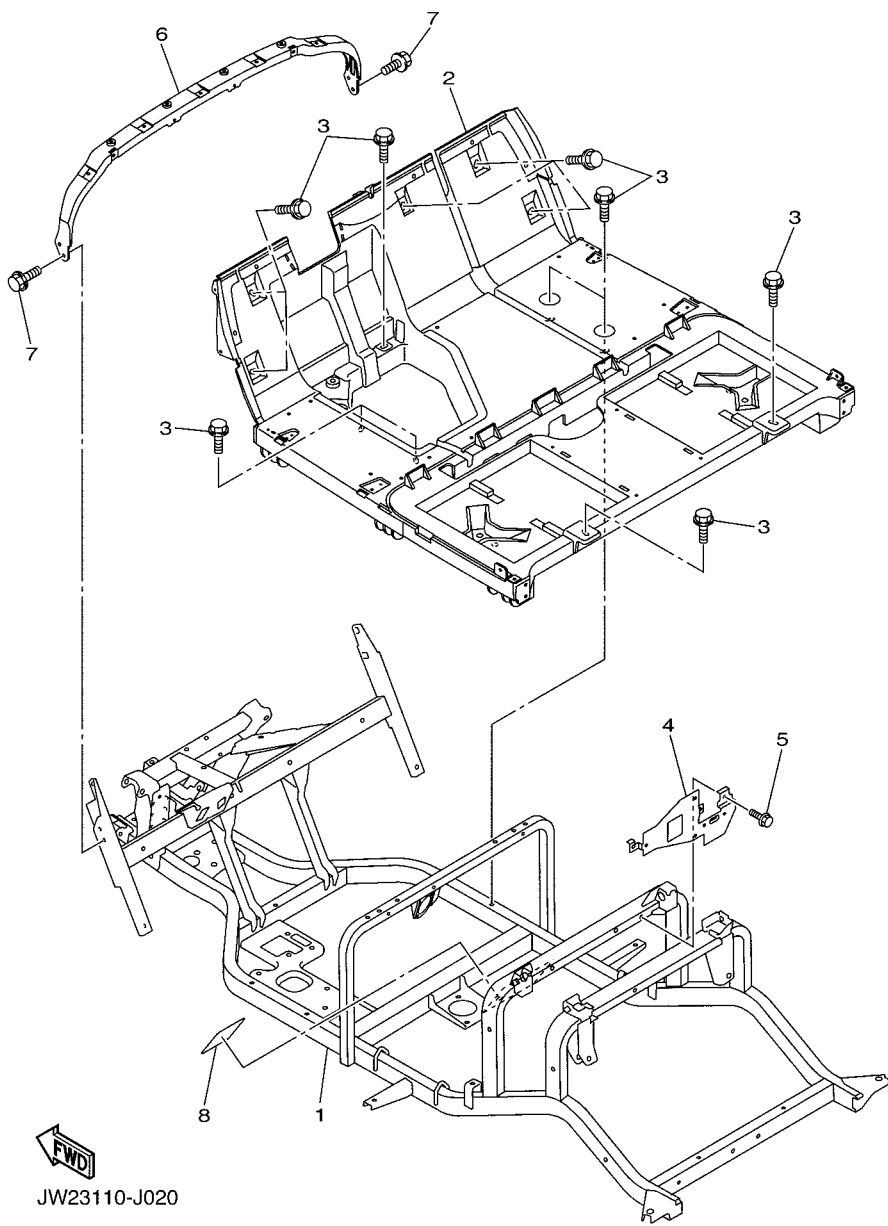
REF. NO.	PART NO.	DESCRIPTION	JC11				REMARKS
1	JW2-F2110-00	REAR ARM COMP.	1				
2	JN6-F2123-10	BUSH 1	1				
3	90105-13800	BOLT, FLANGE	1				
4	90179-13800	NUT	1				
5	97012-10020	BOLT	2				
6	92902-10100	WASHER, SPRING	2				
7	92902-10600	WASHER, PLATE	2				
8	JN6-F2124-10	BUSH 2	2				
9	95812-12065	BOLT, FLANGE	2				
10	95602-12200	NUT, SELF-LOCKING	2				
11	90201-128S4	WASHER, PLATE	2				
12	JW1-F217G-10	ROD, CONNECTING 2	1				
13	JW1-F2277-00	BOLT	8				
14	JW2-F2210-10	SHOCK ABSORBER ASSY, REAR	2				
15	95812-10055	BOLT, FLANGE	4				
16	95602-10200	NUT, U FLANGE	2				




JW23110-J010

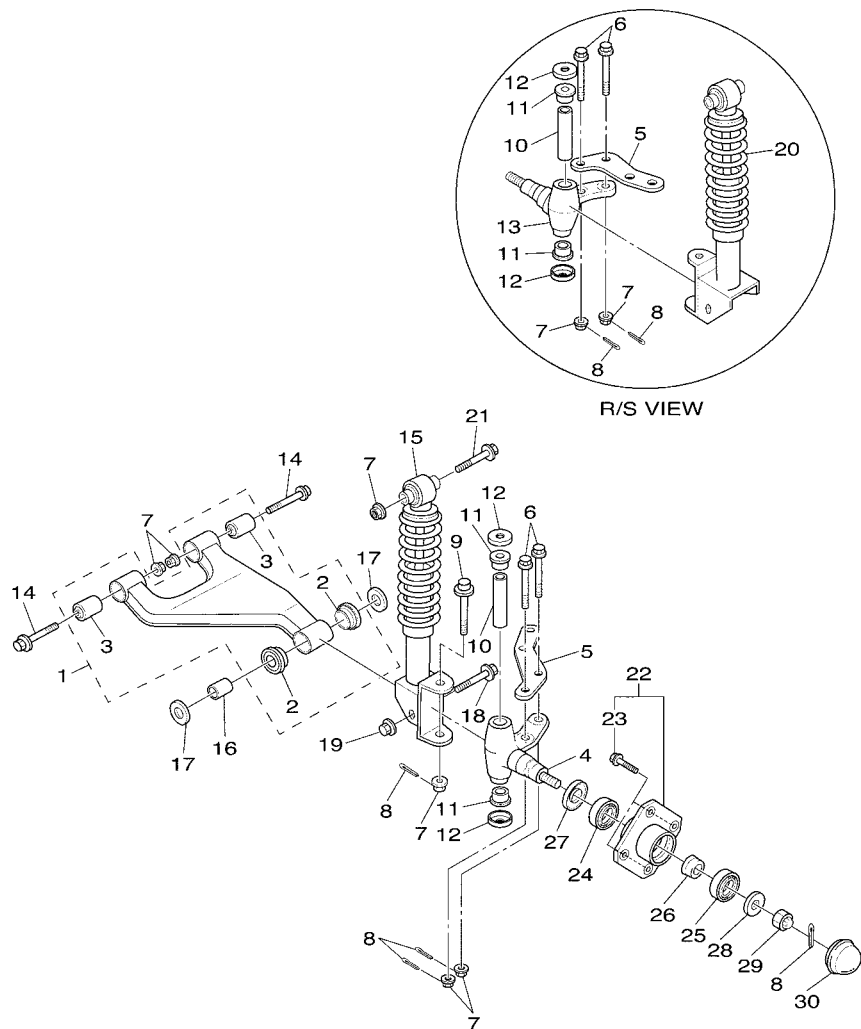
FIG. 2 FRAME

REF. NO.	PART NO.	DESCRIPTION	JC11			REMARKS
1	JW2-F2501-10	FRAME COMP.	1			
2	JC1-F7411-00	FOOTREST 1	1			
3	JW1-F1738-00	BOLT	12			
4	JW2-F252M-00	BRACKET, 3	1			
5	90105-06831	BOLT, FLANGE	3			
6	JW1-F258G-02	BRACKET, DASH UPPER 1	1			
7	90105-06831	BOLT, FLANGE	4			
8	JW2-K8298-10	PLATE, CAUTION 2 (E,F)	1			UR
	JW2-K8298-20	PLATE, CAUTION 2 (G,S)	1			UR



JW23110-J020

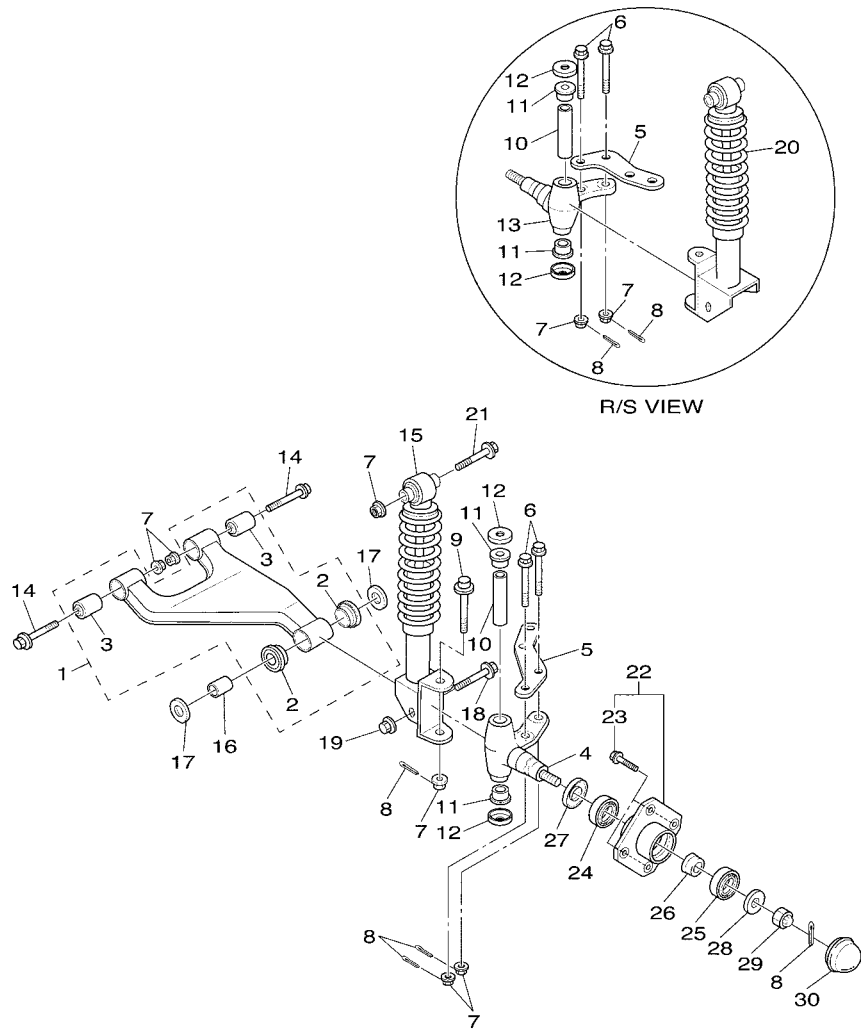
FIG. 3 FRONT SUSPENSION



JW15110-J130

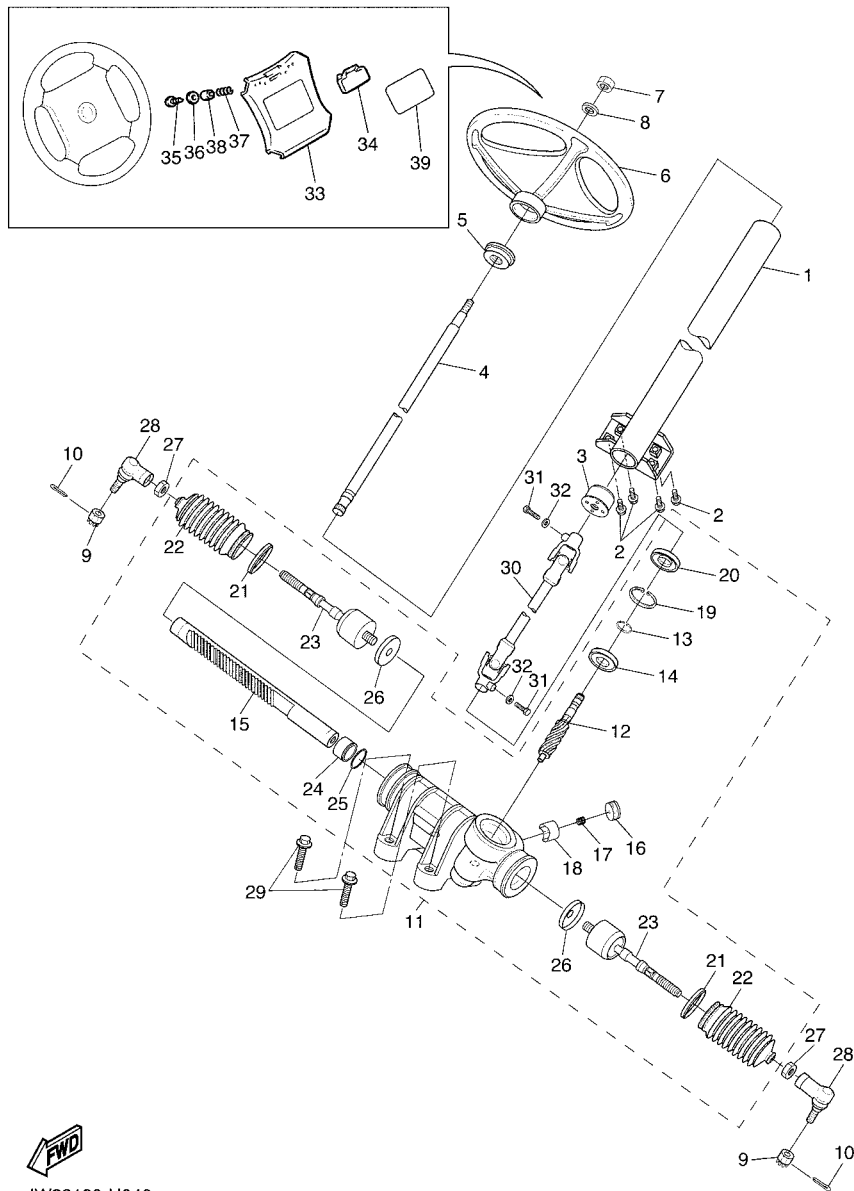
REF. NO.	PART NO.	DESCRIPTION	JCT1				REMARKS
1	JU0-F3570-20	FRONT LOWER ARM COMP.	2				
2	90381-18001	.BUSH, SOLID	2				
3	2HR-23526-00	.BUSH	2				
4	JU0-F3511-01	KNUCKLE, STEERING 1	1				
5	JW1-F3512-00	ARM, KNUCKLE 1	2				
6	90105-10728	BOLT, FLANGE	4				
7	95602-10200	NUT, U FLANGE	12				
8	91402-25020	PIN, COTTER	8				
9	90105-10064	BOLT, FLANGE	2				
10	2NL-23448-00	SPACER	2				
11	90381-17067	BUSH, SOLID	4				
12	2NL-23517-00	COVER, THRUST 1	4				
13	JU0-F3521-01	KNUCKLE, STEERING 2	1				
14	90105-10267	BOLT, FLANGE	4				
15	JW2-F3350-00	SHOCK ABSORBER ASSY	1				
16	90387-12016	COLLAR	2				
17	401-22128-01	COVER, THRUST 1	4				
18	95812-12080	BOLT, FLANGE	2				
19	95612-12100	NUT, U	2				
20	JW2-F3390-00	SHOCK ABSORBER ASSY 2	1				
21	90105-10267	BOLT, FLANGE	2				
22	JG5-WF511-10	HUB, FRONT	2				
23	90114-12806	.BOLT, SERRATION	4				
24	93306-204X0	BEARING	2				
25	93306-005Y3	BEARING	2				
26	90387-241M7	COLLAR	2				
27	93102-30083	OIL SEAL	2				

FIG. 3 FRONT SUSPENSION



JW15110-J130

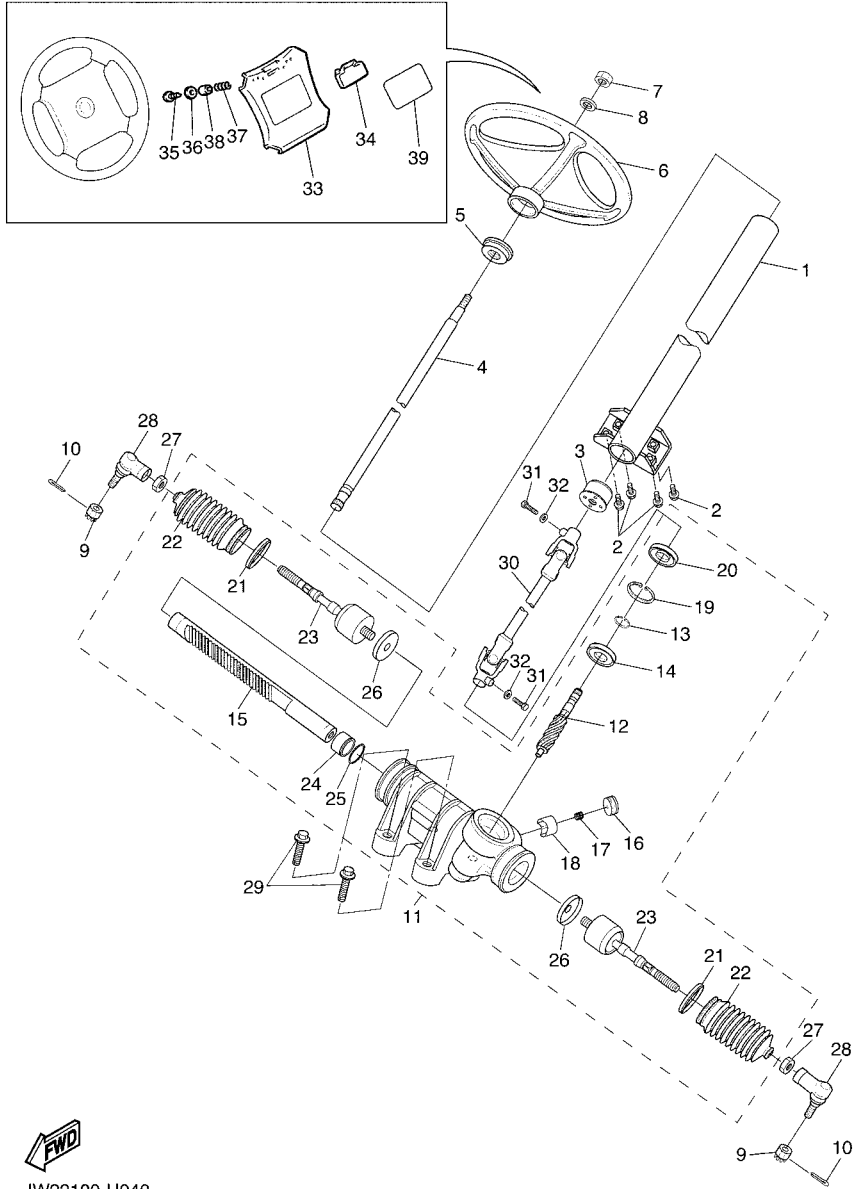
REF. NO.	PART NO.	DESCRIPTION	JC11				REMARKS
28	90208-14801	WASHER, CONICAL SPRING	2				
29	95602-14100	NUT, U	2				
30	JN6-F5118-01	COVER, HUB DUST	2				



JW22100-H040

FIG. 4 STEERING

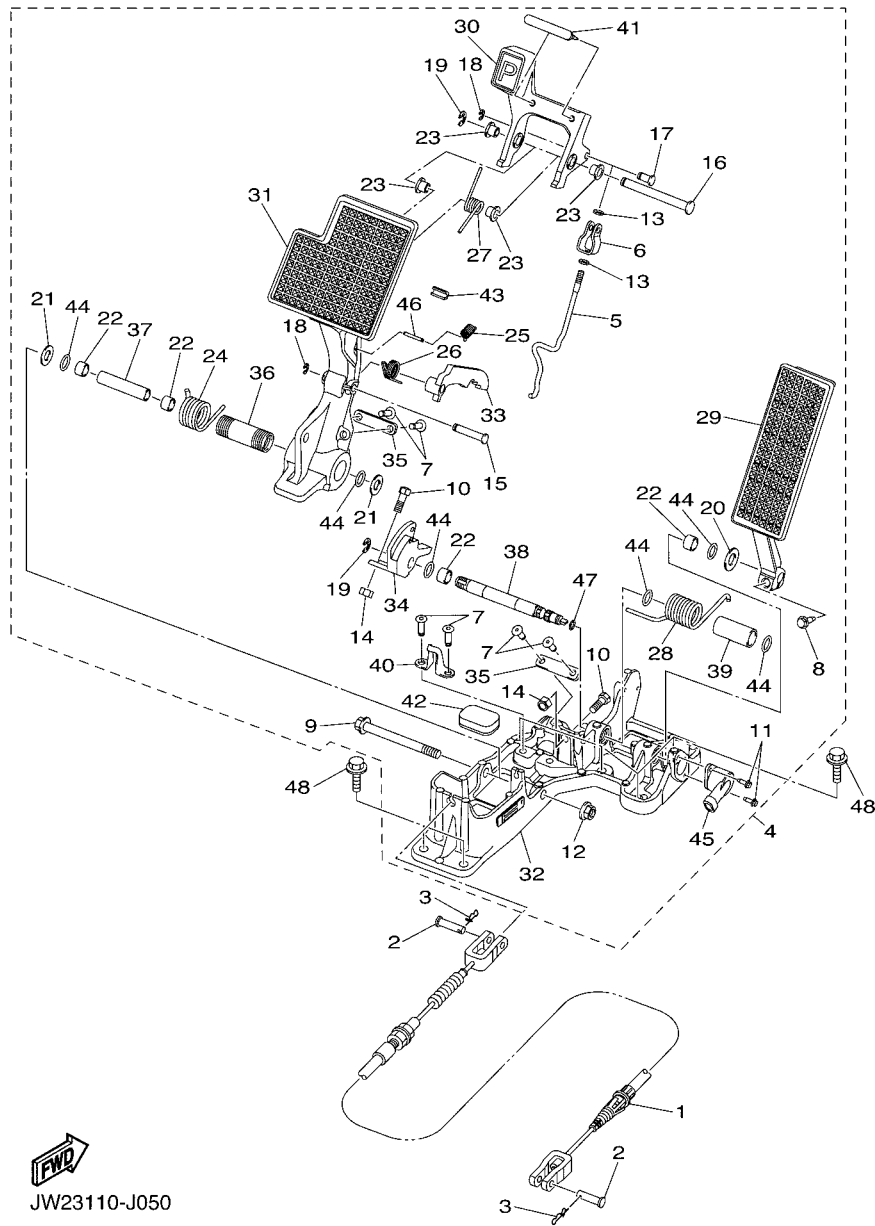
REF. NO.	PART NO.	DESCRIPTION	JC11				REMARKS
1	JW1-F3811-01	COLUMN, STEERING	1				
2	95812-08020	BOLT, FLANGE	4				
3	JU0-F3857-11	HOLDER	1				
4	JU0-F3828-00	ROD, STEERING	1				
5	JN3-F3814-01	HOLDER, HANDLE UPPER	1				
6	JN3-F3838-00	WHEEL, STEERING	1				
7	90185-12061	NUT, SELF-LOCKING	1				
8	92902-12200	WASHER	1				
9	95602-12200	NUT, SELF-LOCKING	2				
10	91402-25020	PIN, COTTER	2				
11	JW1-F3400-00	STEERING ASSY	1				
12	JW1-F387A-00	.GEAR, PINION	1				
13	JW1-F3183-00	.CIRCLIP	1				
14	JW1-F3812-00	.BEARING	1				
15	JW1-F387E-00	.GEAR, RACK	1				
16	5UG-F387G-00	.COVER, ADJUST	1				
17	5UG-F387K-00	.SPRING, PRESSURE	1				
18	5UG-F387F-00	.PAD, PRESSURE	1				
19	5UG-F387J-00	.RING, STOPPER	1				
20	5UG-F3844-00	.SEAL	1				
21	5UG-F3489-00	.BAND	2				
22	5UG-F3527-00	.SEAL, DUST 1	2				
23	JW1-F3837-00	.ROD, TIE 2	2				
24	JW1-F467K-00	.BUSH, CAP	1				
25	JW1-F3866-00	.CIRCLIP	1				
26	JW1-F3894-00	.WASHER, LOCK 1	2				
27	1P0-F3833-00	NUT 1	2				



JW22100-H040

FIG. 4 STEERING

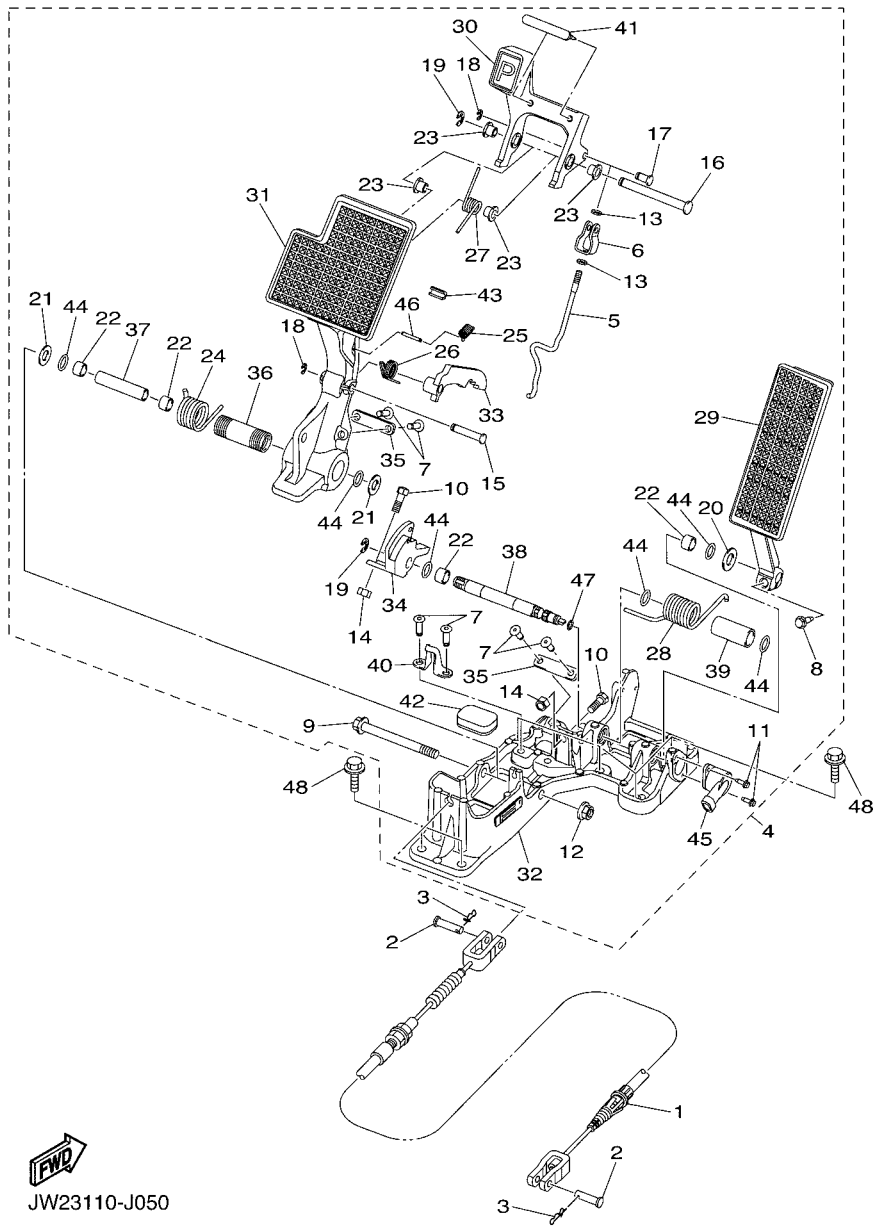
REF. NO.	PART NO.	DESCRIPTION	JC11				REMARKS
28	JU0-23841-10	JOINT, UNIVERSAL 1	2				
29	90105-10847	BOLT, FLANGE	4				
30	JW1-F3822-00	JOINT 1	1				
31	97012-08030	BOLT	2				
32	92902-08600	WASHER, PLATE	2				
33	JN3-K8357-00	HOLDER 1	1				
34	JN6-K8358-01	HOLDER 2	1				
35	97702-40525	SCREW, TAPPING	2				
36	90201-04810	WASHER, PLATE	2				
37	90502-10013	SPRING, CONICAL	2				
38	90387-046N7	COLLAR	2				
39	JC0-K7458-00	LABEL, WARNING (E)	1				UR FOR CAN
	JC0-K7458-10	LABEL, WARNING (E,F)	1				UR EXCEPT FOR CAN
	JC0-K7458-20	LABEL, WARNING (G,S)	1				UR EXCEPT FOR CAN



JW23110-J050

FIG. 5 PEDAL ASSEMBLY

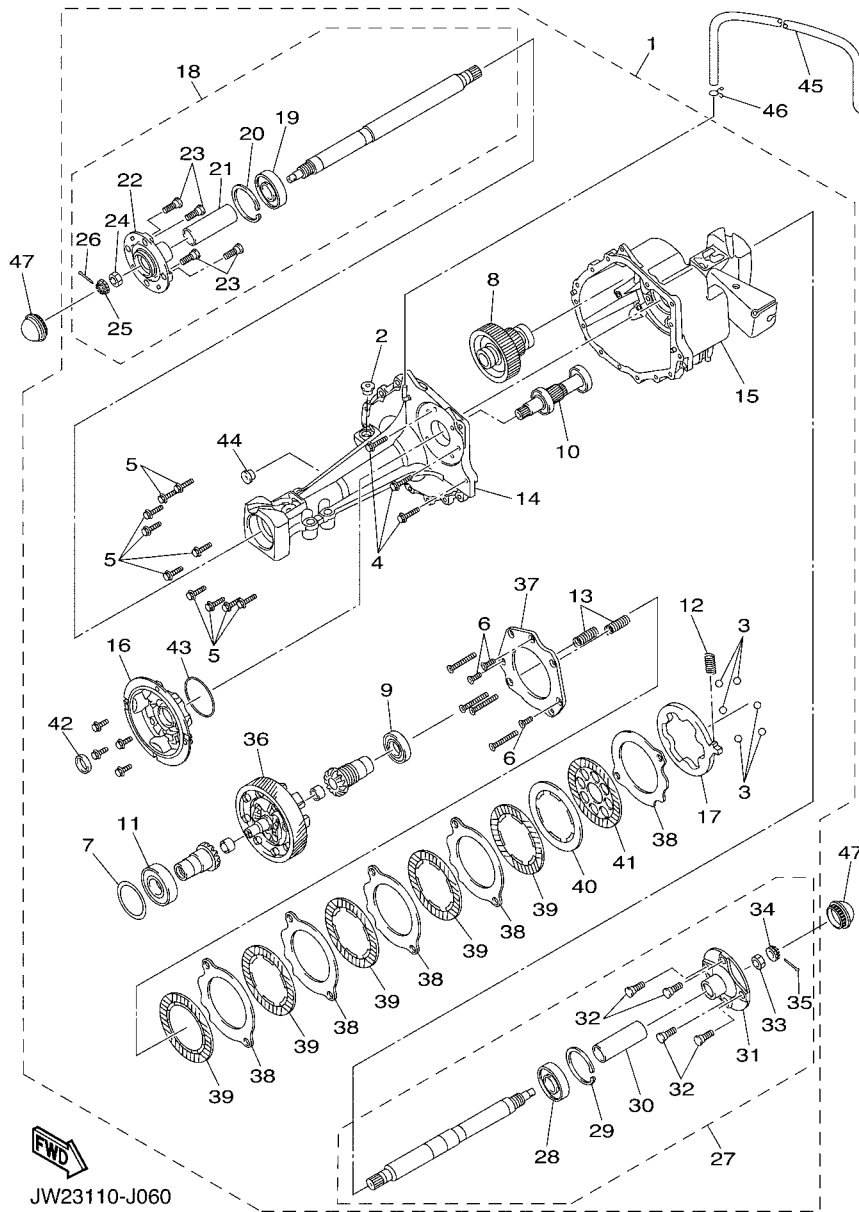
REF. NO.	PART NO.	DESCRIPTION	JC11				REMARKS
1	JW2-F6341-10	WIRE, BRAKE 1	1				
2	91701-10028	PIN	2				
3	90468-20196	CLIP	2				
4	JW2-F7850-10	PEDAL ASSY (L.H)	1				
5	JW1-F720G-00	.PUSH ROD ASSY	1				
6	JW1-F7232-00	.END, ROD 2	1				
7	JW1-F1128-00	.RIVET	6				
8	JW1-F7117-00	.BOLT, MAIN STAND	1				
9	JW1-F7217-00	.BOLT	1				
10	JW1-F7227-00	.BOLT, AJUSTING	2				
11	JW2-F7317-01	.BOLT	2				
12	JW1-F7218-00	.NUT	1				
13	JW1-F7855-00	.NUT, RING	2				
14	JW1-F7238-00	.NUT, ADJUSTING	2				
15	JW1-F5734-00	.PIN 1	1				
16	JW1-F5744-00	.PIN 2	1				
17	JW1-F5754-00	.PIN 3	1				
18	JW1-F5866-01	.CIRCLIP	2				
19	JW1-F6466-01	.RING, SNAP	2				
20	JW1-F723F-01	.WASHER, SPECIAL	1				
21	JW1-F723G-00	.WASHER, SPECIAL	2				
22	JW1-F582M-00	.BEARING	4				
23	JW1-F339Y-00	.BEARING	4				
24	JW1-F7825-00	.SPRING, RETURN	1				
25	JW1-F5659-00	.HOOK, SPRING 2	1				
26	JW1-F5658-00	.HOOK, SPRING 1	1				
27	JW1-F7216-00	.SPRING, RETURN	1				



JW23110-J050

FIG. 5 PEDAL ASSEMBLY

REF. NO.	PART NO.	DESCRIPTION	JC11				REMARKS
28	JW1-F5735-00	.SPRING, RETURN 1	1				
29	JW1-F7871-00	.PEDAL, ACCELERATOR	1				
30	JW1-F7252-00	.LEVER, BRAKE PEDAL	1				
31	JW1-F7211-01	.PEDAL, BRAKE	1				
32	JW1-F785A-10	.PEDAL SET	1				
33	JW1-F5666-00	.SECTOR, PARKING BRAKE	1				
34	JW1-F7249-00	.PEDAL, LOCK	1				
35	JW1-F7275-00	.PLATE	2				
36	JW1-F7243-00	.BOSS, BRAKE PEDAL	1				
37	JW1-F7213-00	.COLLAR	1				
38	JW1-F7853-00	.SHAFT, PEDAL 1	1				
39	JW1-F7814-00	.BUSH, PEDAL	1				
40	JW1-F7254-00	.HOOK	1				
41	JW1-F5672-00	.PAD, PARKING PEDAL	1				
42	JW1-F7257-10	.PAD, BRAKE	1				
43	JW1-F5673-00	.DAMPER, BRAKE	1				
44	JW1-F3147-01	.O-RING	6				
45	JW2-H5885-00	.THROTTLE SENSOR ASSY	1				
46	JW1-F5677-00	.PIN, HOLD 1	1				
47	JW1-F3188-00	.O-RING	1				
48	95812-08020	BOLT, FLANGE	6				



JW23110-J060

FIG. 6 TRANSAXLE & BRAKE

REF. NO.	PART NO.	DESCRIPTION	JC11				REMARKS
1	JW2-G6300-01	TRANS AXLE ASSY	1				
2	JW1-G6168-00	.PLUG, DRAIN 1	1				
3	JW1-F4684-00	.BALL	6				
4	JW2-G6159-00	.BOLT 3	4				
5	JW1-G4582-00	.BOLT, 2	10				
6	JW1-G4189-00	.SCREW	3				
7	JW2-G6117-00	.SHIM, RING GEAR	1				
8	JW2-G6348-01	.SHAFT 2	1				
9	JW2-G6164-00	.BEARING 1	1				
10	JW2-G6320-01	.INPUT SHAFT ASSY	1				
11	JW2-G6167-00	.BEARING 4	1				
12	JW2-G4116-00	.SPRING	1				
13	JW1-G4135-00	.SPRING	2				
14	JW2-G6540-00	.REAR AXLE HOUSING COMP.	1				
15	JW2-G6550-00	.REAR AXLE HOUSING COMP. 2	1				
16	JW2-G6544-00	.FLANGE 1	1				
17	JW2-F384K-00	.BALL, SEAT	1				
18	JW2-G6510-00	.REAR AXLE SHAFT COMP.	1				
19	JW1-F2176-00	..BEARING	1				
20	JW1-G4156-00	..RING, SNAP	1				
21	JW1-G6128-00	..SPACER, BEARING	1				
22	JW1-G6542-00	..HUB	1				
23	JW1-G4178-00	..BOLT, STUD	4				
24	JW1-G4583-00	..NUT	1				
25	JW1-G4127-00	..NUT, 1	1				
26	JW1-G633J-00	..PIN, COTTER	1				
27	JW2-G6520-00	.REAR AXLE SHAFT COMP. 2	1				

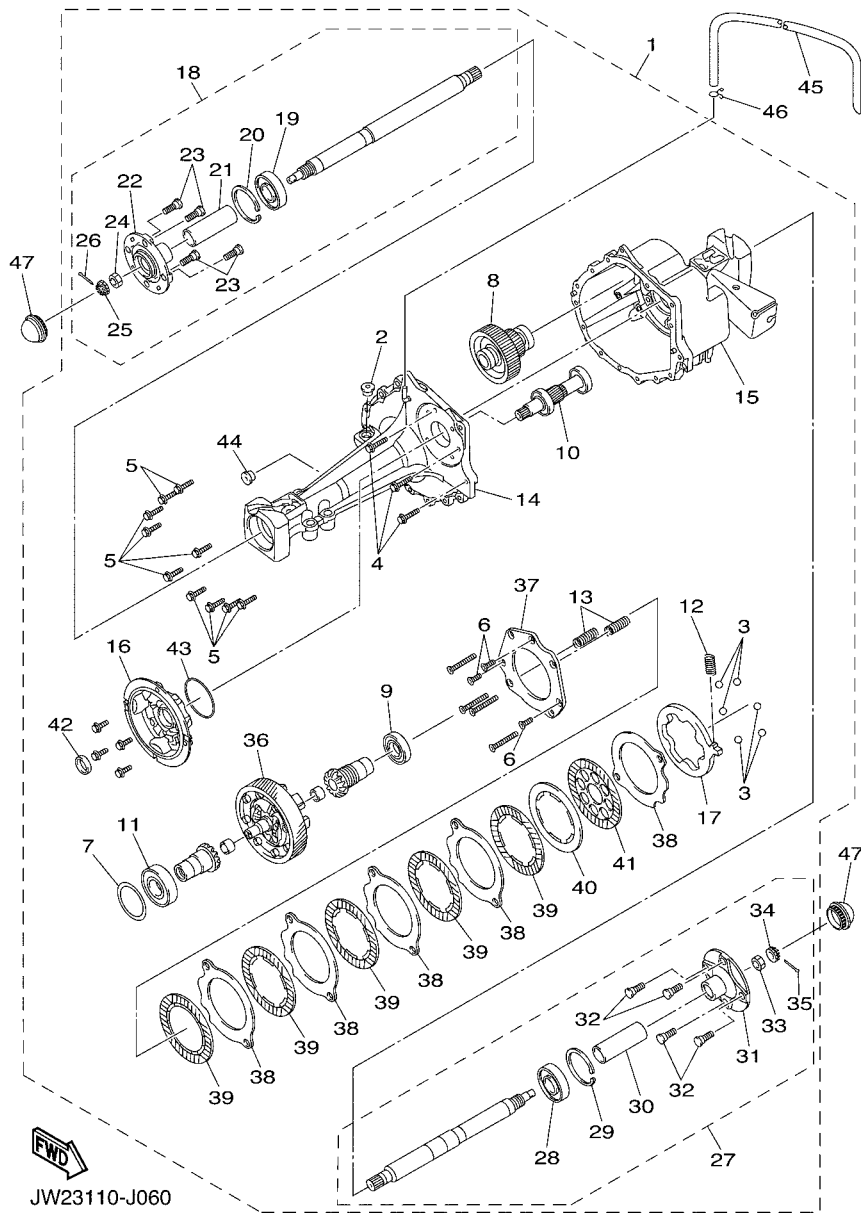
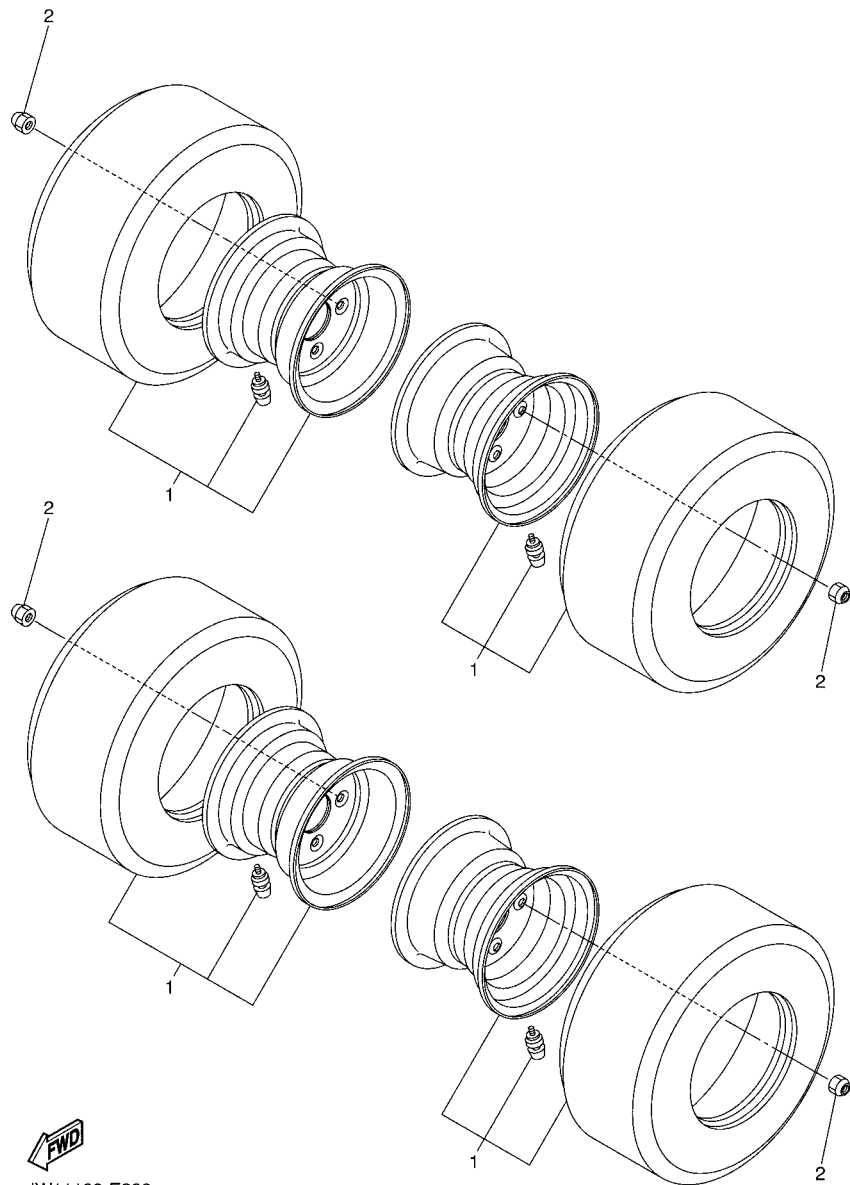


FIG. 6 TRANSAXLE & BRAKE

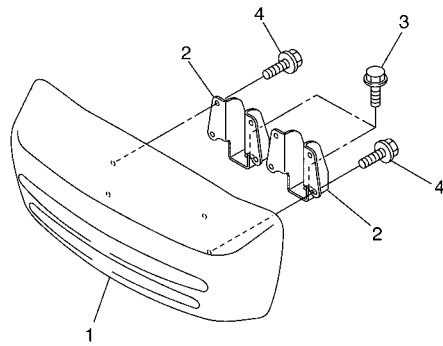
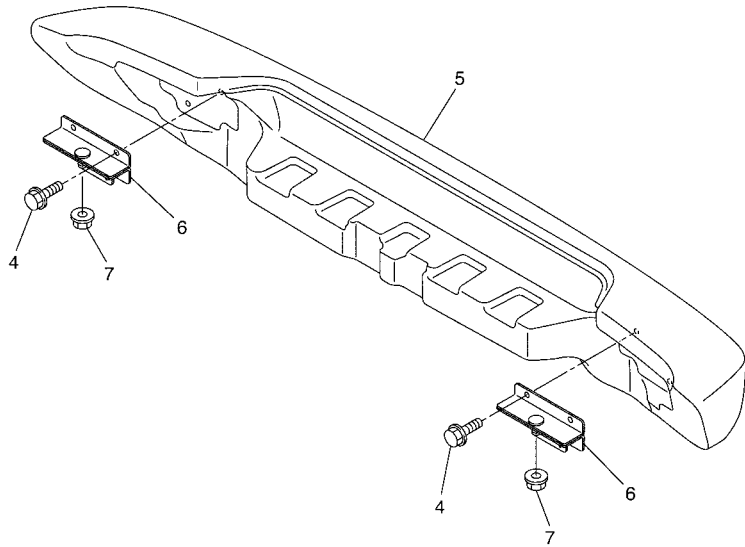
REF. NO.	PART NO.	DESCRIPTION	JC11				REMARKS
28	JW1-F2176-00	..BEARING	1				
29	JW1-G4156-00	..RING, SNAP	1				
30	JW1-G6128-00	..SPACER, BEARING	1				
31	JW1-G6542-00	..HUB	1				
32	JW1-G4178-00	..BOLT, STUD	4				
33	JW1-G4583-00	..NUT	1				
34	JW1-G4127-00	..NUT, 1	1				
35	JW1-G633J-00	..PIN, COTTER	1				
36	JW2-G6110-00	.RING GEAR COMP.	1				
37	JW2-G6114-00	.PLATE, COVER	1				
38	JW1-G633H-00	.PLATE 2	5				
39	JW1-G6336-00	.PLATE 1	5				
40	JW1-G4526-00	.PLATE	1				
41	JW1-G6345-00	.DISC, FRICTION	1				
42	JW2-G6163-00	.SEAL, OIL 1	1				
43	JW2-G6134-00	.O-RING 1	1				
44	JW1-G5148-00	.PLUG, DRAIN	1				
45	90445-11032	HOSE	1				
46	90467-10008	CLIP	1				
47	JN6-F5118-01	COVER, HUB DUST	2				



JW11100-E220

FIG. 7 WHEEL

REF. NO.	PART NO.	DESCRIPTION	JC11				REMARKS
1	JW1-F5100-00	WHEEL ASSY (18X8.50-8-4PR)	4				
2	90179-12262	NUT	16				



JW11100-E230

FIG. 8 BUMPER

REF. NO.	PART NO.	DESCRIPTION	JCT1				REMARKS
1	JW1-K7510-00	FRONT BUMPER COMP.	1				
2	JW1-K8164-00	STAY, FRONT BUMPER (L.H)	2				
3	90105-088B0	BOLT, FLANGE	2				
4	95822-06012	BOLT, FLANGE	8				
5	JW1-K7540-00	REAR BUMPER COMP.	1				
6	JW1-K8174-00	STAY, REAR BUMPER	2				
7	95602-10200	NUT, U FLANGE	2				

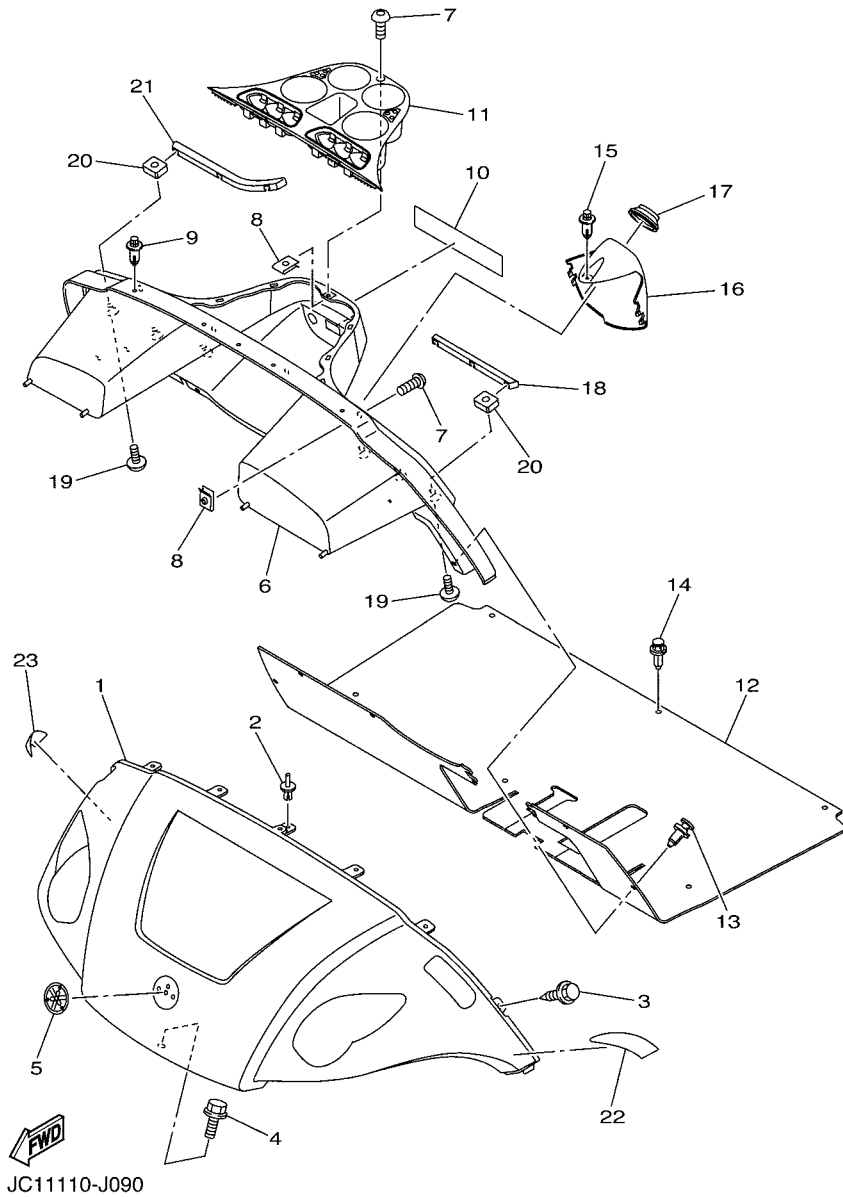


FIG. 9 BODY

REF. NO.	PART NO.	DESCRIPTION	JC11			REMARKS
1	JC0-K8115-00	COWL, FRONT	1			UR FOR WS7
	JW6-K8115-10	COWL, FRONT	1			UR FOR VDGS1
	JC0-K8115-20	COWL, FRONT	1			UR FOR HTR
	JC0-K8115-30	COWL, FRONT	1			UR FOR LNYM8
	JC0-K8115-40	COWL, FRONT	1			UR FOR NBM7
	JC0-K8115-50	COWL, FRONT	1			UR FOR BMG
	JC0-K8115-60	COWL, FRONT	1			UR FOR DPBMT
2	90267-63047	RIVET, BLIND	5			
3	JW1-F3396-00	SCREW, SPECIAL	2			
4	90105-06870	BOLT, FLANGE	1			
5	JW1-F4161-00	EMBLEM 1	1			
6	JW2-K8114-01	PANEL, FRONT	1			
7	90111-05805	BOLT,HEX. SOCKET BUTTON	5			
8	90183-05008	NUT, SPRING	5			
9	90269-07001	RIVET	5			
10	JC1-K7768-00	LABEL, WARNING (E)	1			UR FOR CAN
	JC1-K7768-10	LABEL, WARNING (E,F)	1			UR EXCEPT FOR CAN
	JC1-K7768-20	LABEL, WARNING (G,S)	1			UR EXCEPT FOR CAN
11	JW1-K835E-00	HOLDER, BEVERAGE	1			
12	JW6-K8233-00	MAT, MAIN FLOOR 3	1			
13	90269-09003	RIVET	5			
14	90269-09003	RIVET	6			
15	90269-06804	RIVET	1			
16	JW1-K8273-00	COVER, HOLE	1			
17	JW1-K8245-00	SEAL 1	1			
18	JW1-K8261-00	PLATE, BODY PROTECT 1	1			
19	90110-06007	BOLT, HEXAGON SOCKET HEAD	6			

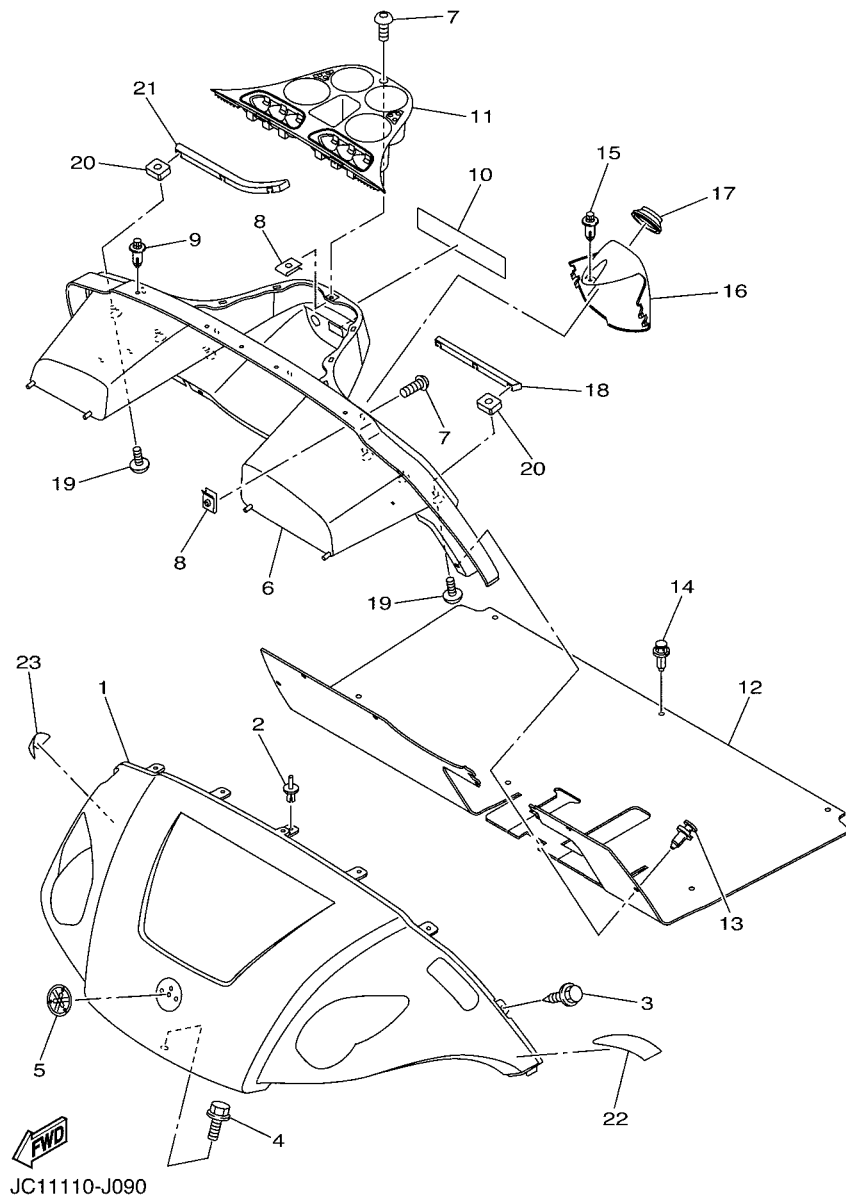
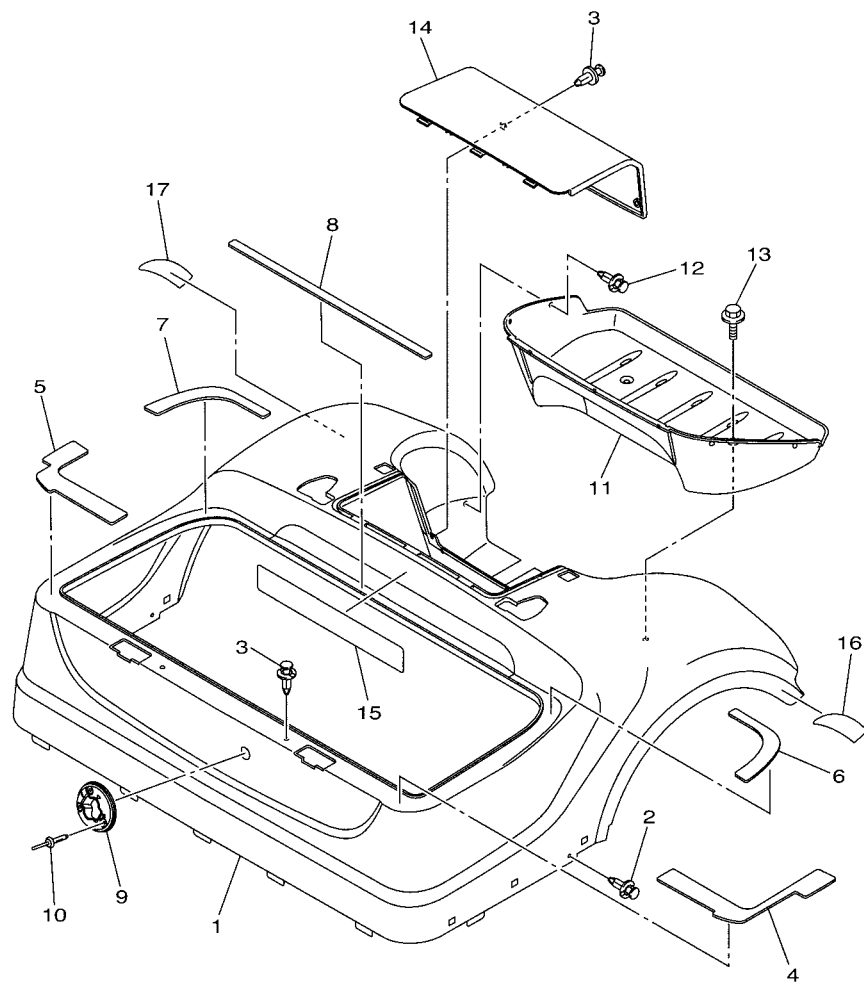


FIG. 9 BODY

REF. NO.	PART NO.	DESCRIPTION	JC11				REMARKS
20	90173-06001	NUT, SQUARE	6				
21	JW1-K8262-00	PLATE, BODY PROTECT 2	1				
22	JC0-H333B-00	REFLECTOR, 1	1				
23	JC0-H334B-00	REFLECTOR, 2	1				



JC11110-J100

FIG. 10 BODY 2

REF. NO.	PART NO.	DESCRIPTION	JC11			REMARKS
1	JC0-K8142-00	PANEL, REAR BODY	1			UR FOR WS7
	JC0-K8142-10	PANEL, REAR BODY	1			UR FOR VDGS1
	JC0-K8142-20	PANEL, REAR BODY	1			UR FOR HTR
	JC0-K8142-30	PANEL, REAR BODY	1			UR FOR LNYM8
	JC0-K8142-40	PANEL, REAR BODY	1			UR FOR NBM7
	JC0-K8142-50	PANEL, REAR BODY	1			UR FOR BMG
	JC0-K8142-60	PANEL, REAR BODY	1			UR FOR DPBMT
2	90269-06804	RIVET	2			
3	90269-08813	RIVET	4			
4	JW1-F2873-00	SEAL 1	1			
5	JW1-F2874-00	SEAL 2	1			
6	JW1-F2875-00	SEAL 3	1			
7	JW1-F2876-00	SEAL 4	1			
8	JW1-F2877-01	SEAL, 5	1			
9	JW2-K827A-10	GUIDE 1	1			
10	90267-60840	RIVET, BLIND	3			
11	JW1-K8237-00	COVER, REAR FLOOR	1			
12	90269-08813	RIVET	7			
13	JW1-K6179-01	BOLT, SPECIAL 1	2			
14	JW1-K8151-00	PANEL, INSPECTION LID 1	1			
15	JW2-K8297-01	PLATE, CAUTION 1 (E,F)	1			UR
	JW2-K8297-10	PLATE, CAUTION 1 (G,S)	1			UR
16	JC0-H360G-00	REFLECTOR 3	1			
17	JC0-H360H-00	REFLECTOR, 4	1			

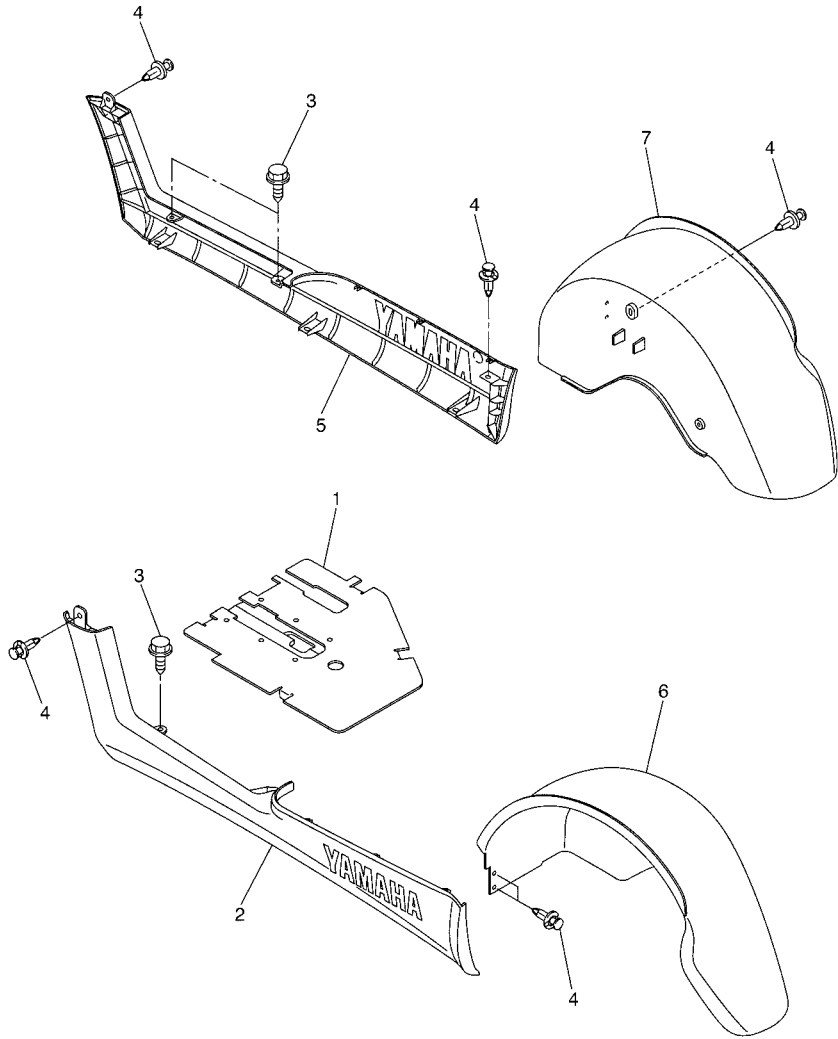
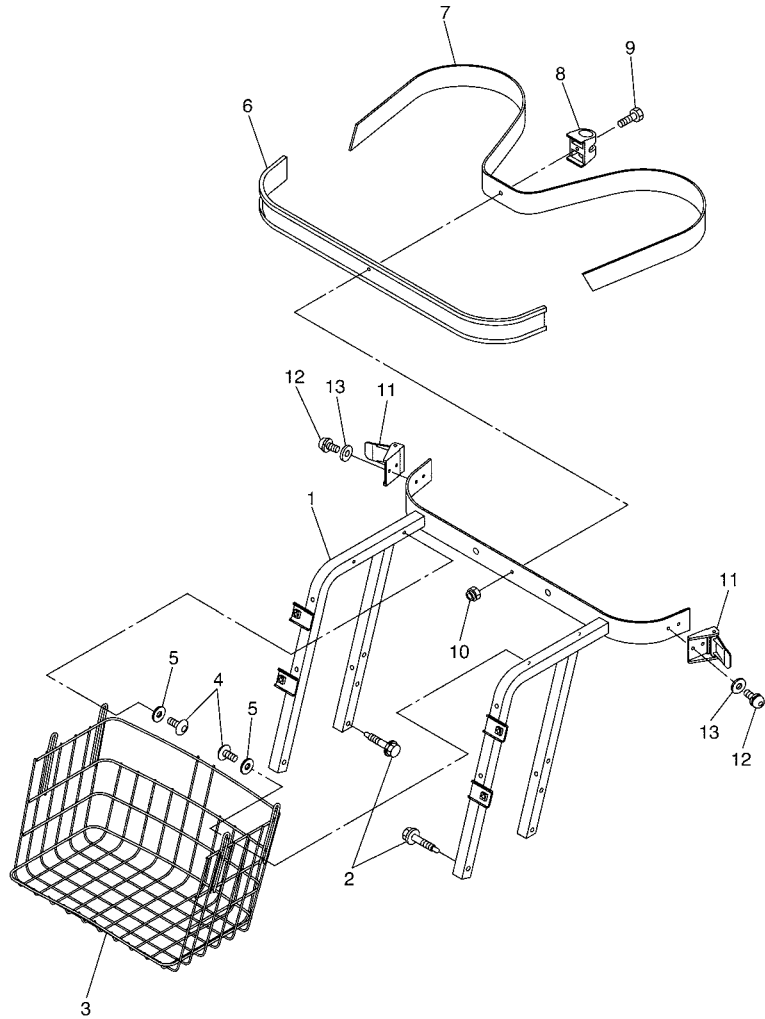


FIG. 11 BODY FITTING

REF. NO.	PART NO.	DESCRIPTION	JC11			REMARKS
1	JW1-K8270-00	LID ASSY	1			
2	JW1-K818A-00	PROTECTOR, SIDE PLATE	1			
3	JW1-F3396-00	SCREW, SPECIAL	4			
4	90269-06804	RIVET	12			
5	JW1-K818B-00	PROTECTOR, SIDE PLATE 2	1			
6	JW1-K8191-00	PANEL, REAR FENDER 1	1			
7	JW1-K8192-00	PANEL, REAR FENDER 2	1			



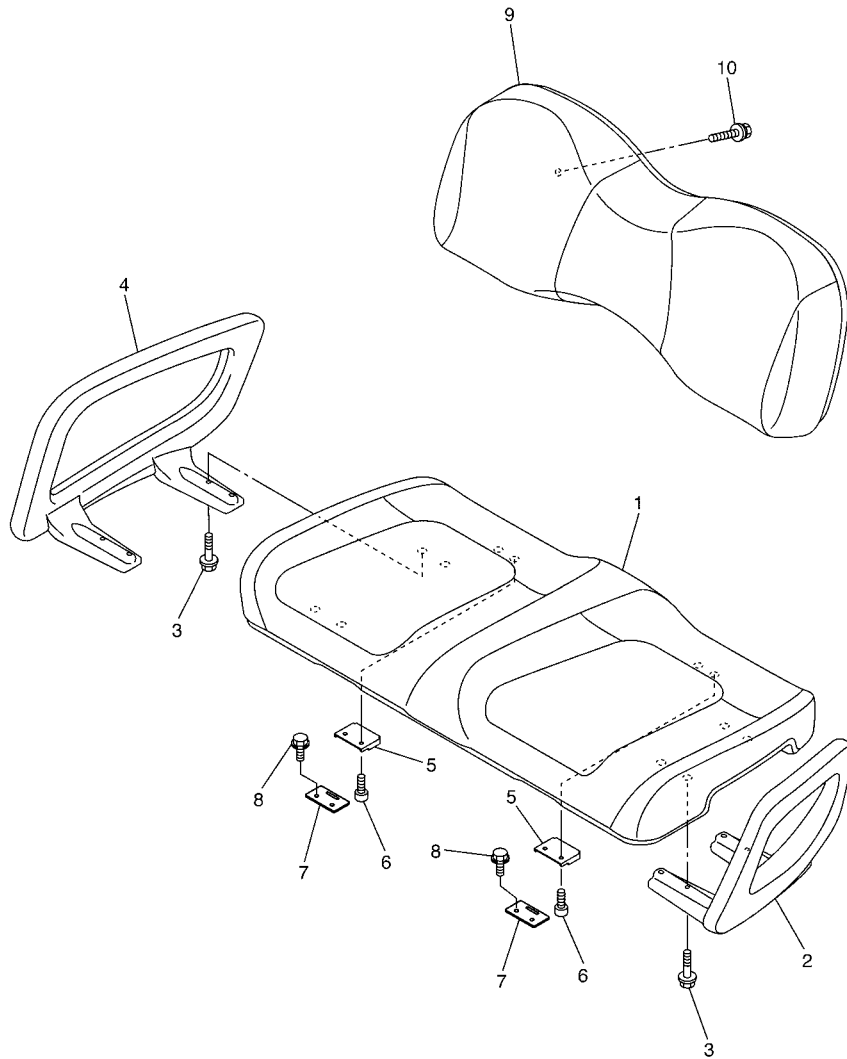
JW11100-E260



JW11100-E270

FIG. 12 CARRIER

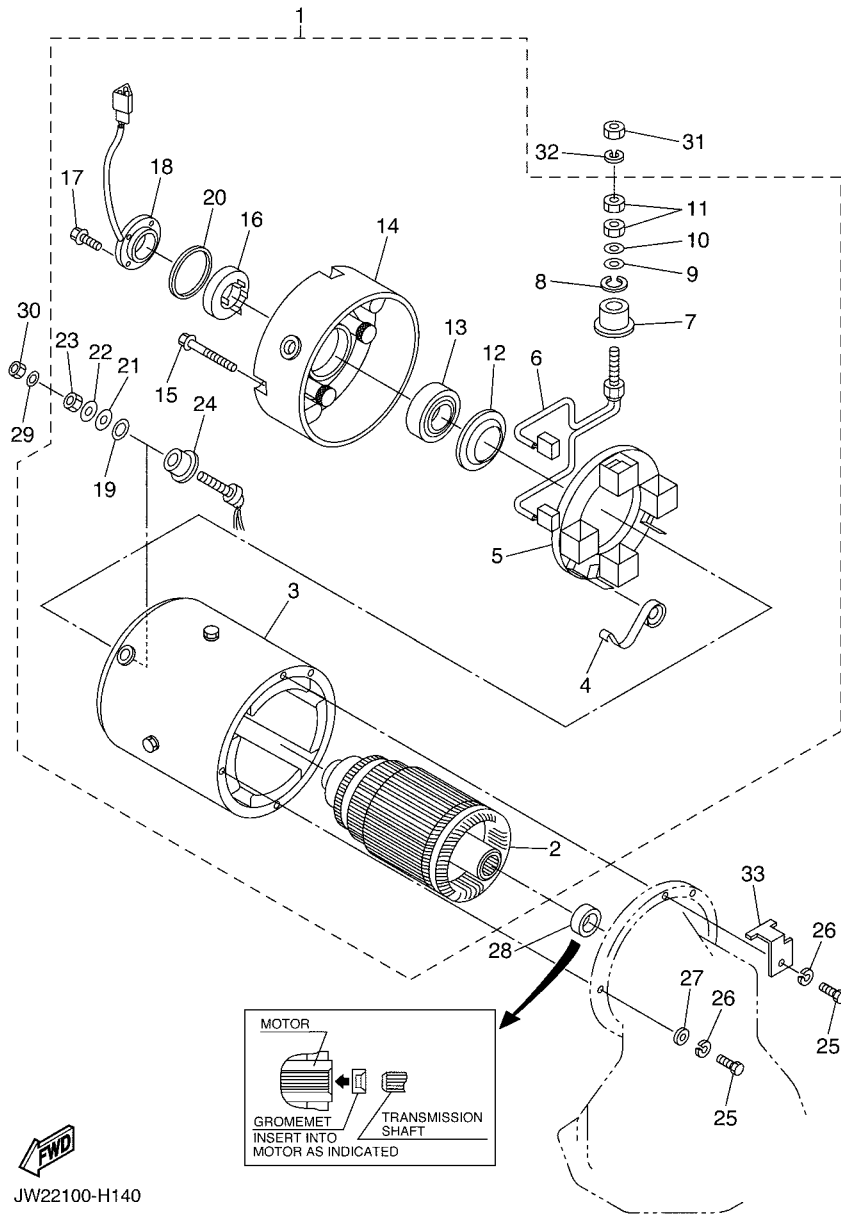
REF. NO.	PART NO.	DESCRIPTION	JC11				REMARKS
1	JW1-K8423-00	SUPPORT, SEAT BACK	1				
2	90109-08002	BOLT	4				
3	JW1-K8340-00	LUGGAGE RACK ASSY., REAR	1				
4	90110-06102	BOLT, HEXAGON SOCKET HEAD	4				
5	90201-068G7	WASHER, PLATE	4				
6	JF2-K8356-00	PAD, BAG SUPPORT	1				
7	JN6-K8355-20	BAND	1				
8	JW1-K834G-00	HOLDER, RAKE SAND	1				
9	9708R-06020	BOLT	1				
10	90185-06836	NUT, SELF-LOCKING	1				
11	JN6-K8380-00	LOCK ASSY	2				
12	90159-06845	SCREW, WITH WASHER	4				
13	9299R-06200	WASHER	4				



JW11100-E280

FIG. 13 SEAT

REF. NO.	PART NO.	DESCRIPTION	JC11				REMARKS
1	JW1-K8401-00	SEAT SUB-ASSY,CUSHION	1				
2	JW1-K8361-00	ARM REST 1	1				
3	90105-06042	BOLT, FLANGE	8				
4	JW1-K8362-00	ARM REST 2	1				
5	JW1-K8426-00	HINGE, SEAT 1	2				
6	90110-06125	BOLT, HEXAGON SOCKET HEAD	4				
7	JW1-K8427-00	HINGE, SEAT 2	2				
8	90163-06802	SCREW, TAPPING	4				
9	JW1-K8402-00	SEAT SUB ASSY, BACK	1				
10	90119-06808	BOLT, WITH WASHER	4				



JW22100-H140

FIG. 14 ELECTRIC MOTOR

REF. NO.	PART NO.	DESCRIPTION	JC11				REMARKS
1	JU2-H1890-21	MOTOR ASSY	1				
2	JU2-H1850-20	.ARMATURE ASSY	1				
3	JU2-H1160-20	.FIELD COIL ASSY	1				
4	JU2-H1617-20	.SPRING, BRUSH	4				
5	JU2-H1840-20	.BRUSH HOLDER ASSY	1				
6	JU2-H1801-20	.BRUSH SET	2				
7	JU2-H182G-20	.BUSH, TERMINAL	2				
8	JU2-H1843-20	.WASHER 1	2				
9	JU2-H1824-20	.WASHER 2	2				
10	JU2-H181L-20	.WASHER, PLAIN	2				
11	JU2-H182K-20	.NUT	4				
12	JU2-H1856-20	.RETAINER	1				
13	JU2-H185B-20	.BEARING 1	1				
14	JU2-H183J-20	.BRACKET, FRONT	1				
15	JU2-H1828-20	.BOLT 2	4				
16	JU2-H181K-20	.MAGNET	1				
17	JU2-H2113-20	.SCREW	4				
18	JU2-H1670-21	.PICK-UP ASSY	1				
19	JU2-H272L-20	.INSULATOR, 1	2				
20	JU2-H5722-20	.INSULATOR	1				
21	JU2-H2517-20	.WASHER, SPECIAL	2				
22	JU2-H332D-20	.WASHER, SPECIAL 2	2				
23	JU2-H191B-20	.NUT	4				
24	JU2-H182H-20	.BUSH, TERMINAL 2	2				
25	90101-069U0	BOLT	3				
26	90215-06811	WASHER, LOCK	3				
27	90201-068E2	WASHER, PLATE	2				

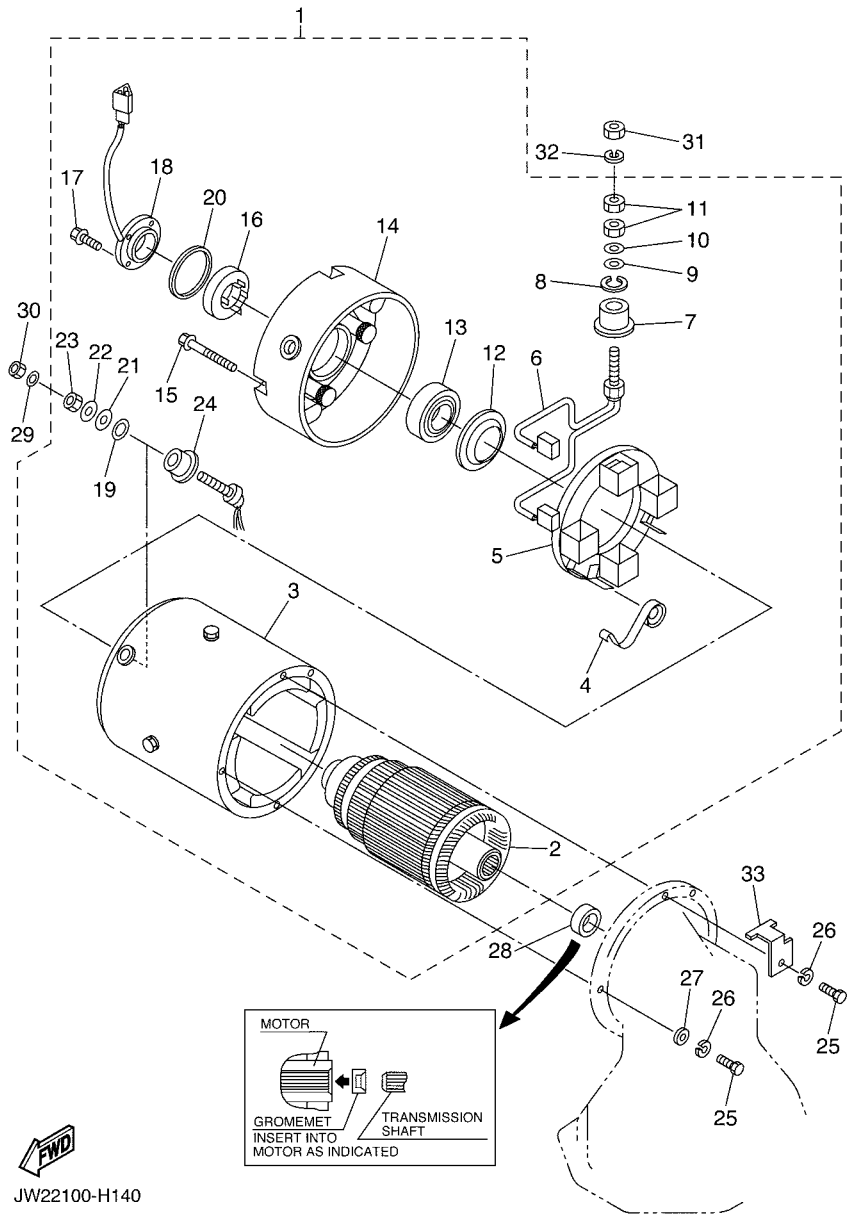


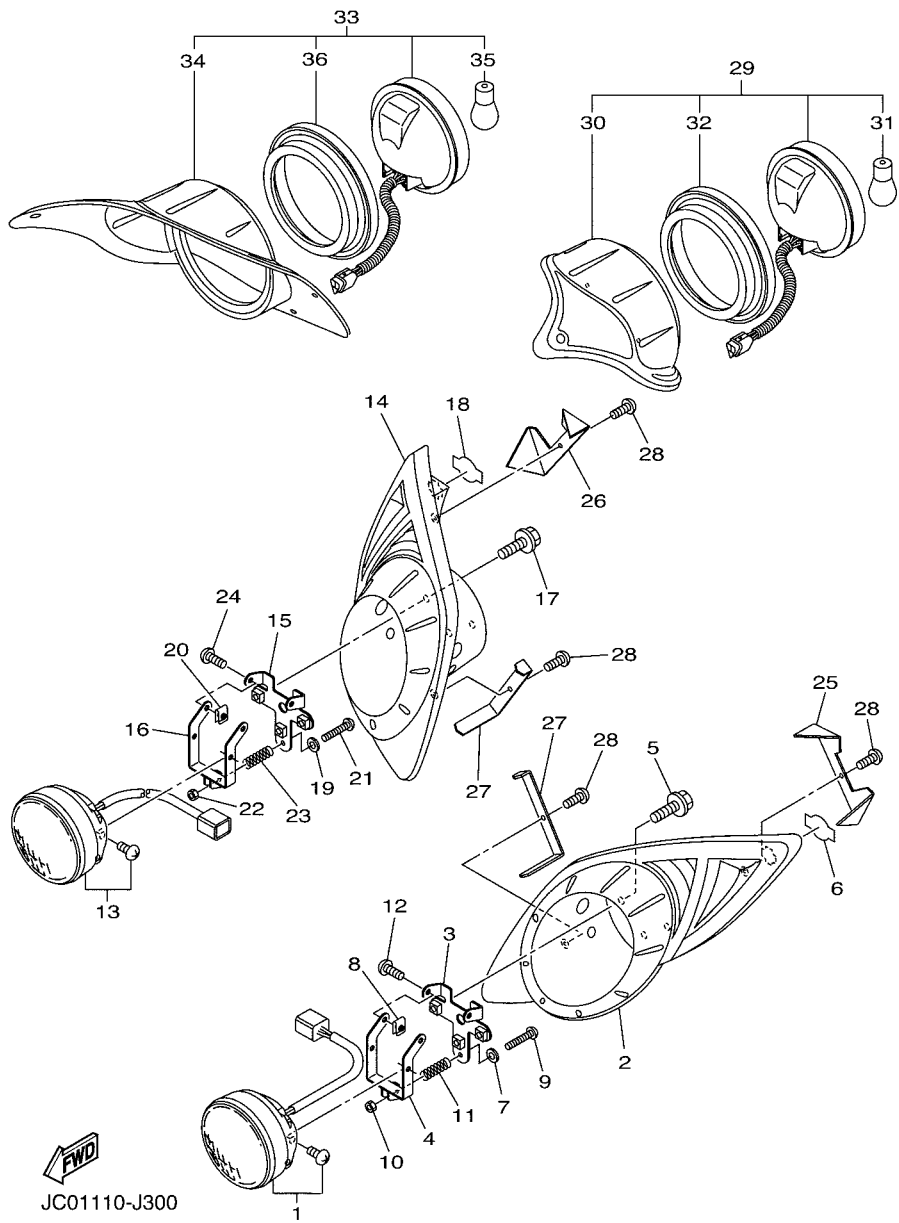
FIG. 14 ELECTRIC MOTOR

REF. NO.	PART NO.	DESCRIPTION	JC11				REMARKS
28	JH7-H1829-00	GROMMET	1				
29	JU2-H185A-20	WASHER, PLATE	2				
30	JU2-H182A-20	NUT	2				
31	JU2-H1872-20	NUT, SPECIAL	2				
32	JU2-H1835-20	WASHER	2				
33	JU2-H218E-01	RELIEF, STRAIN 1	1				

FWD
JW22100-H140

FIG. 15 HEAD & TAIL LIGHT

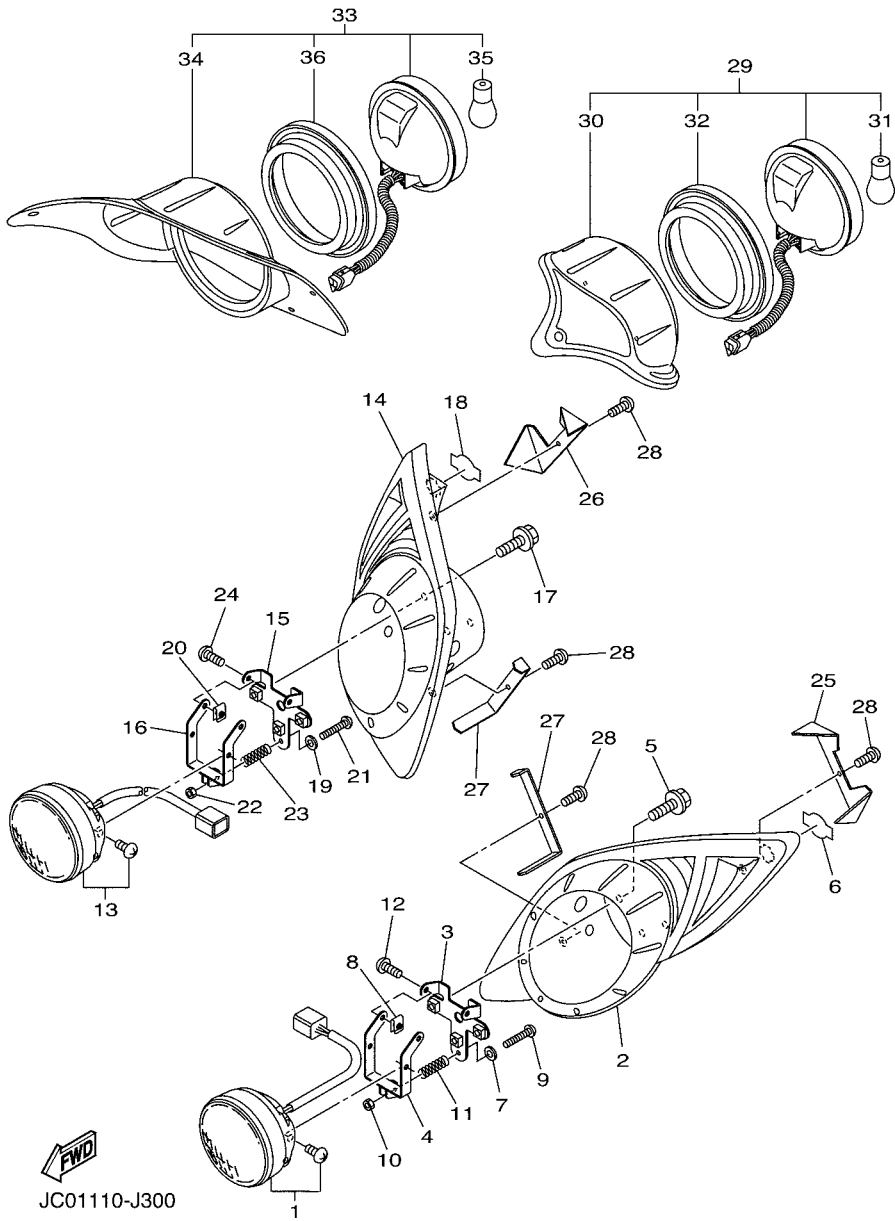
REF. NO.	PART NO.	DESCRIPTION	JC11		REMARKS
1	JW6-H4300-02	HEADLIGHT ASSY	1		HALOGEN (12V35W)
2	JW6-H4111-00	BODY, HEADLIGHT	1		
3	JW6-H4318-00	STAY, HEADLIGHT 1	1		
4	JW6-H4319-00	STAY, HEADLIGHT 2	1		
5	90119-06884	BOLT, WITH WASHER	3		
6	JU7-H3547-10	COVER, SOCKET	1		
7	90201-03008	WASHER, PLATE	1		
8	90183-050A6	NUT, SPRING	2		
9	JW6-H433E-01	SCREW, ADJUSTING	1		
10	2GU-84334-00	NUT, ADJUSTING	1		
11	2GU-84332-00	SPRING, SCREW	1		
12	98902-05016	SCREW, BIND	2		
13	JW6-H4300-02	HEADLIGHT ASSY	1		HALOGEN (12V35W)
14	JW6-H4311-00	BODY, HEADLIGHT	1		
15	JW6-H4318-00	STAY, HEADLIGHT 1	1		
16	JW6-H4319-00	STAY, HEADLIGHT 2	1		
17	90119-06884	BOLT, WITH WASHER	3		
18	JU7-H3547-10	COVER, SOCKET	1		
19	90201-03008	WASHER, PLATE	1		
20	90183-050A6	NUT, SPRING	2		
21	JW6-H433E-01	SCREW, ADJUSTING	1		
22	2GU-84334-00	NUT, ADJUSTING	1		
23	2GU-84332-00	SPRING, SCREW	1		
24	98902-05016	SCREW, BIND	2		
25	JW6-H431R-00	STAY, SETTING	1		
26	JW6-H431T-00	METAL, ADJUSTING	1		
27	JW6-H4119-00	STAY, HEADLIGHT 2	2		



FWD
JC01110-J300

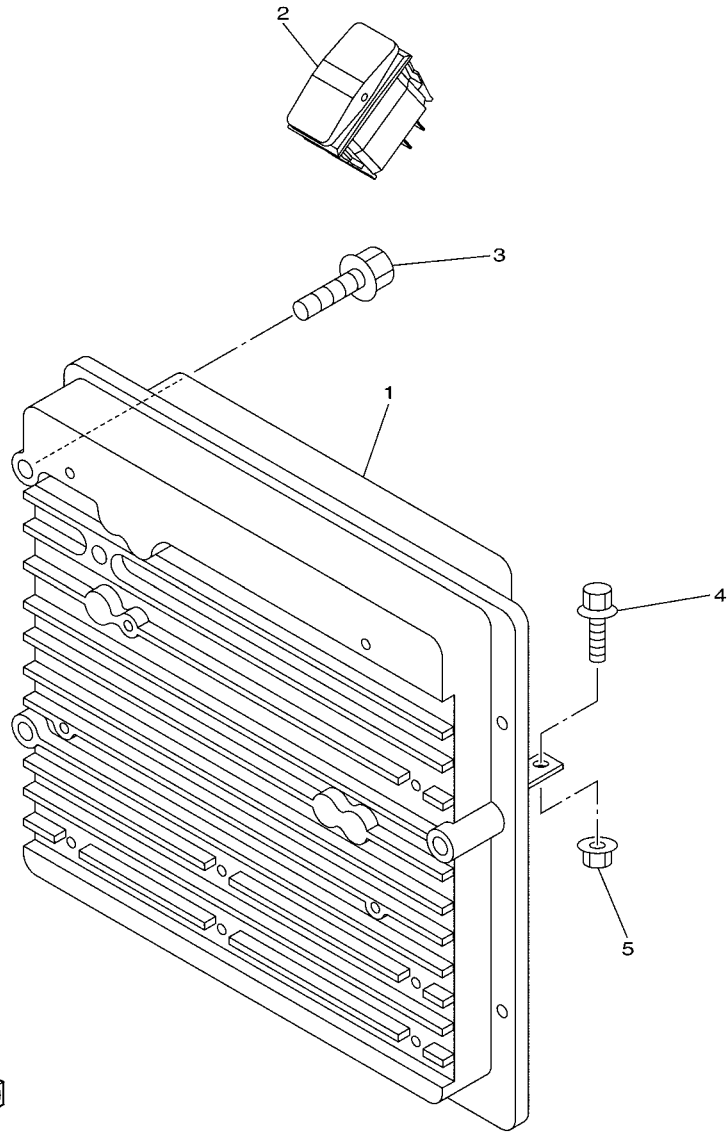
FIG. 15 HEAD & TAIL LIGHT

REF. NO.	PART NO.	DESCRIPTION	JC11				REMARKS
28	90164-04800	SCREW, TAPPING	4				
29	JC0-H4710-00	TAILLIGHT UNIT ASSY	1				
30	JW1-H431U-10	.HOLDER	1				
31	JC0-H4514-00	.BULB	1				(12V-7W/27W)
32	JC0-H4718-00	.GROMMET	1				
33	JC0-H4730-00	TAILLIGHT UNIT ASSY	1				
34	JW1-H4387-10	.HOLDER	1				
35	JC0-H4514-00	.BULB	1				(12V-7W/27W)
36	JC0-H4718-00	.GROMMET	1				



JC01110-J300

FIG. 16 CONTROLLER 1



JW23110-J150

REF. NO.	PART NO.	DESCRIPTION	JC11				REMARKS
1	JW2-H6510-01	MOTOR CONTROL UNIT ASSY	1				
2	JW2-H2727-00	SWITCH	1				
3	95822-06040	BOLT, FLANGE	3				
4	95822-06016	BOLT, FLANGE	3				
5	95602-06200	NUT, SELF-LOCKING	3				

FIG. 17 ELECTRICAL 1

REF. NO.	PART NO.	DESCRIPTION	JC11				REMARKS
1	JW2-H2136-00	PLATE, BATTERY FITTING	2				
2	JW2-H2133-00	SCREW, FITTING	4				
3	90201-08310	WASHER, PLATE	4				
4	95702-08500	NUT, FLANGE	4				
5	JW2-H2115-00	WIRE, PLUS LEAD	1				
6	JW2-H2127-00	WIRE, LEAD 2	2				
7	JW2-H2149-00	WIRE, LEAD 3	1				
8	JU2-H2917-00	SWITCH	1				
9	JU2-H2521-20	WIRE, LEAD	1				(F1)
10	JU2-H2531-20	WIRE, LEAD	1				(F2)
11	JU2-H6171-20	WIRE, LEAD 1	1				(A1)
12	JW2-H6172-00	WIRE, LEAD 2	1				(A2)
13	JU2-H7196-20	TUBE 1	1				
14	90464-25826	CLAMP	2				
15	JC1-H2590-00	WIRE HARNESS ASSY	1				FOR CAN,OTHERS
	JC1-H2590-10	WIRE HARNESS ASSY	1				FOR EUR,ZAF,OCE
16	JN6-H2151-00	.FUSE (10 A)	1				
17	90464-40825	CLAMP	1				FOR EUR,ZAF,OCE
18	JU6-H1950-00	RELAY ASSY	1				
19	90179-05807	.NUT	2				
20	90179-08824	.NUT	2				
21	JN6-H2105-00	WIRE HARNESS	1				
22	90163-06005	SCREW, TAPPING	2				
23	JR1-H3383-01	BUZZER	1				
24	JN6-H3386-01	STAY, BUZZER	1				
25	JW2-H6181-02	RECEPTACLE	1				
26	JW2-F8382-10	SCREW, SPECIAL	4				

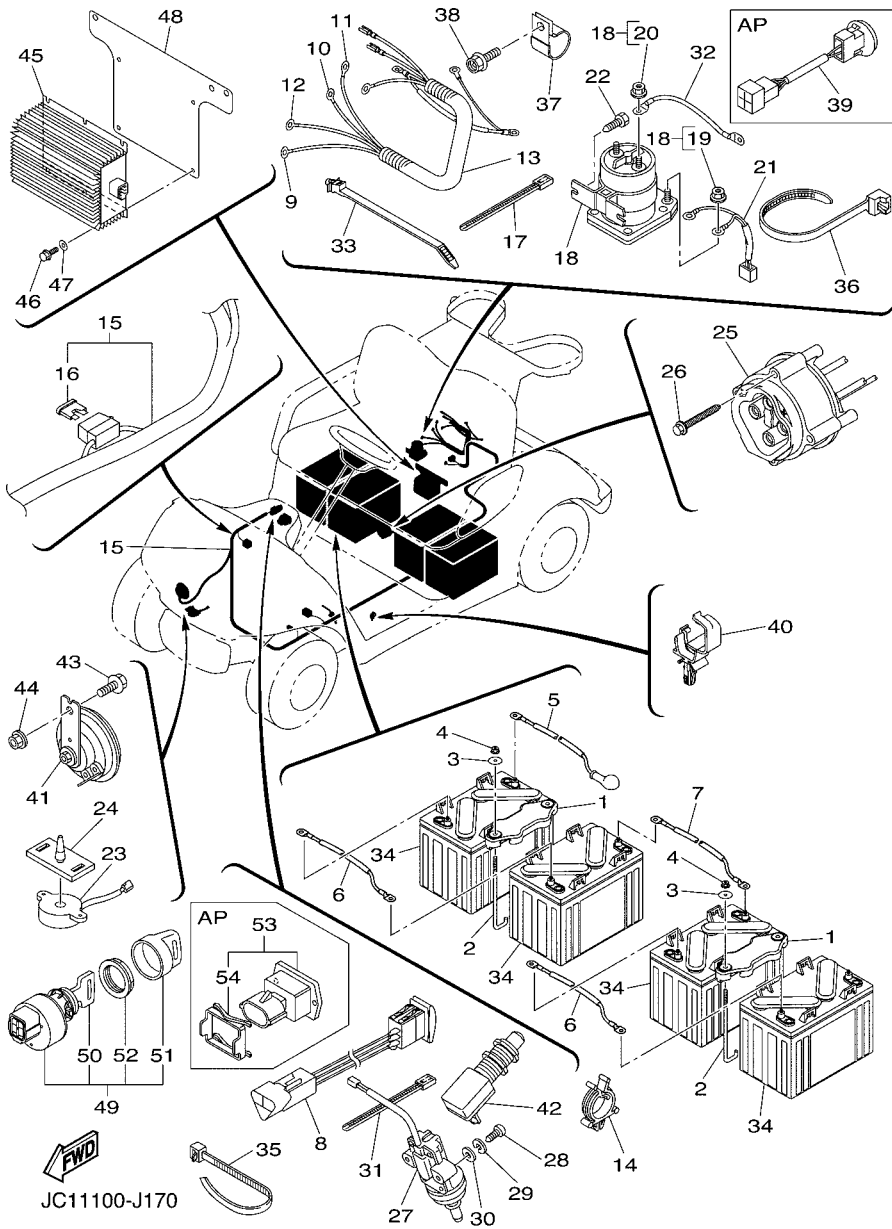


FIG. 17 ELECTRICAL 1

REF. NO.	PART NO.	DESCRIPTION	JC11	REMARKS
27	JF7-82817-20	SWITCH	1	
28	98502-05025	SCREW, PAN HEAD	2	
29	92902-05100	WASHER, SPRING	2	
30	92902-05600	WASHER, PLATE	2	
31	90464-40825	CLAMP	7	
32	JW2-H6527-00	WIRE 7	1	
33	90464-20005	CLAMP	10	
34	*	BATTERY ASSY (12 VOLT T-1275)	4	LM
35	90464-48800	CLAMP	2	
36	90464-51800	CLAMP	2	
37	90461-14108	CLAMP	1	
38	90105-08867	BOLT, FLANGE	1	
39	JU2-HA2F0-00	TRANSMITTER UNIT	1	AP
40	90464-20237	CLAMP	3	
41	4LR-83371-11	HORN	1	
42	JR6-H270X-00	SWITCH	1	
43	95822-06016	BOLT, FLANGE	1	
44	95702-06500	NUT, FLANGE	1	
45	JU6-H1910-00	VOLTAGE REGULATOR ASSY	1	
46	97002-05010	BOLT	4	
47	92902-05600	WASHER, PLATE	4	
48	JC1-F7876-00	BRKT., SWITCH	1	
49	JW6-H2510-00	MAIN SWITCH ASSY	1	
50	JU6-H2511-10	.KEY, MAIN SWITCH	2	
51	5UG-H2579-00	.CAP, KEY	1	
52	JU6-H2569-00	.NUT, MAIN SWITCH	1	
53	JW2-H351B-00	GAUGE, BATTERY	1	AP

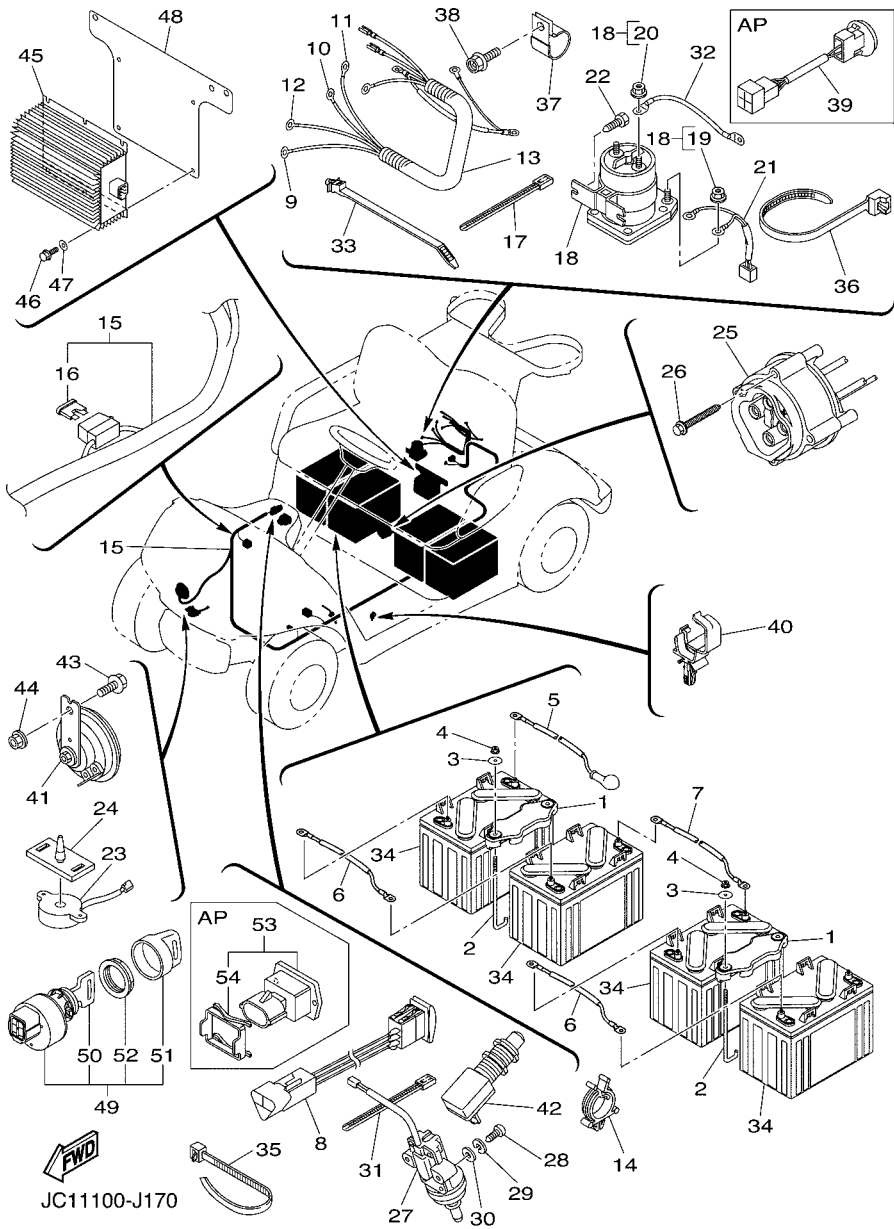
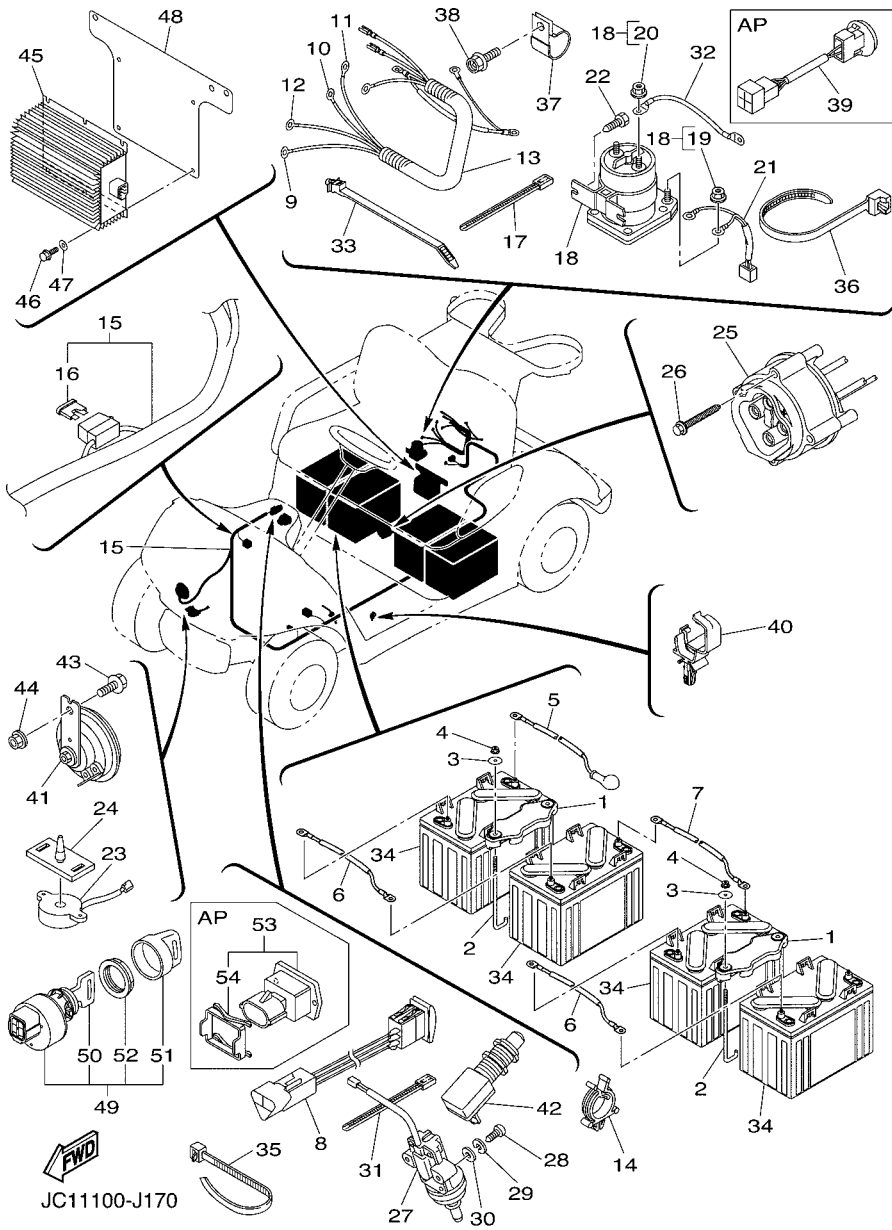
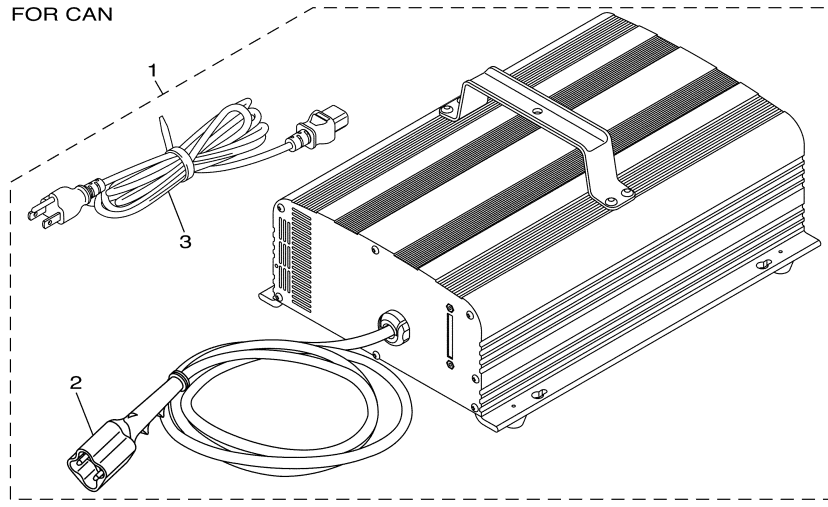


FIG. 17 ELECTRICAL 1

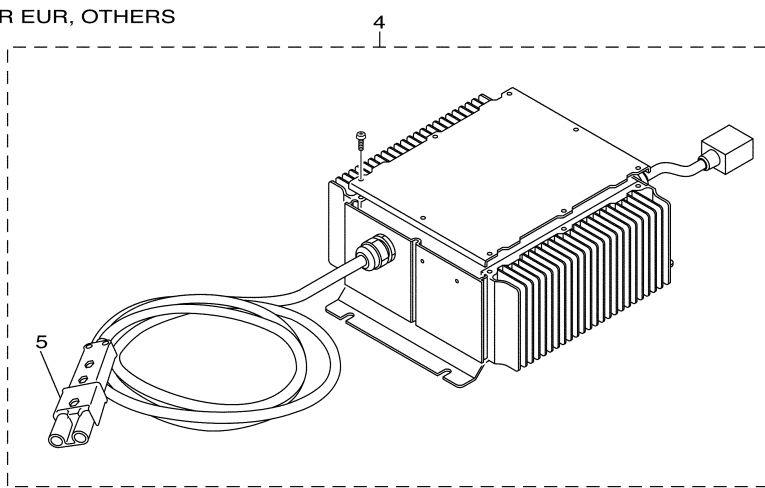


REF. NO.	PART NO.	DESCRIPTION	JC11			REMARKS
54	JW1-H1128-00	.CLAMP	1			AP
<hr/>						
<hr/>						
<hr/>						
<hr/>						
<hr/>						
<hr/>						
<hr/>						
<hr/>						

FOR CAN

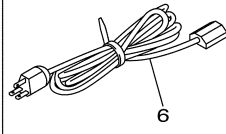
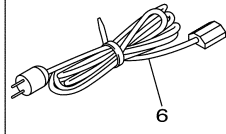


FOR EUR, OTHERS



EXCEPT UK

UK ONLY

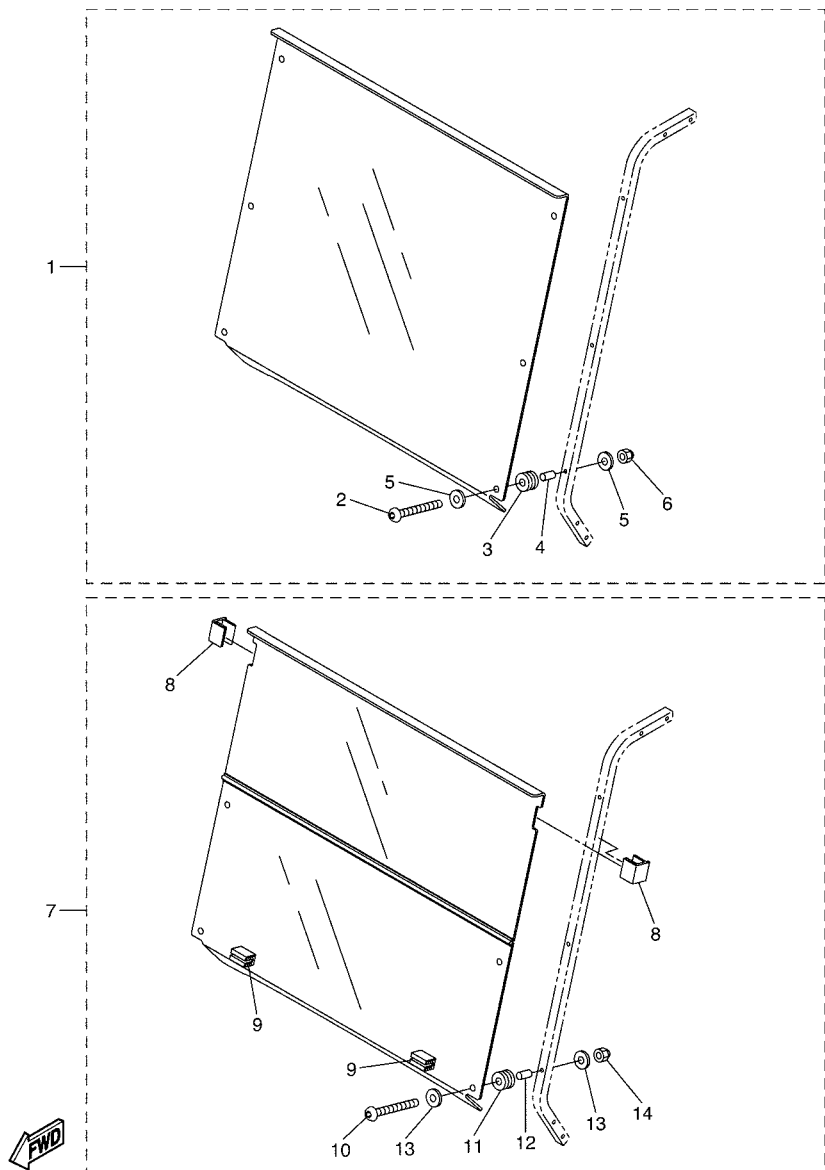


JW23100-J171

FIG. 18 BATTERY CHARGER

REF. NO.	PART NO.	DESCRIPTION	JC11				REMARKS
1	JW2-H2107-01	CHARGER, BATTERY	1				FOR CAN
2	JW2-H7234-01	.PLUG, D.C.RECEPTACLE	1				FOR CAN
3	JW2-H1962-00	.AC CORD, CHARGER	1				FOR CAN
4	JW2-H2107-10	CHARGER, BATTERY	1				FOR EUR,OTHERS
5	JR1-H235A-00	.DC PLUG SET	1				FOR EUR,OTHERS
6	JU2-H1962-00	CORD COMP. (220V)	1				UR EUR,OTHERS
	JU2-H1962-10	CORD COMP. (240V)	1				UR UK ONLY

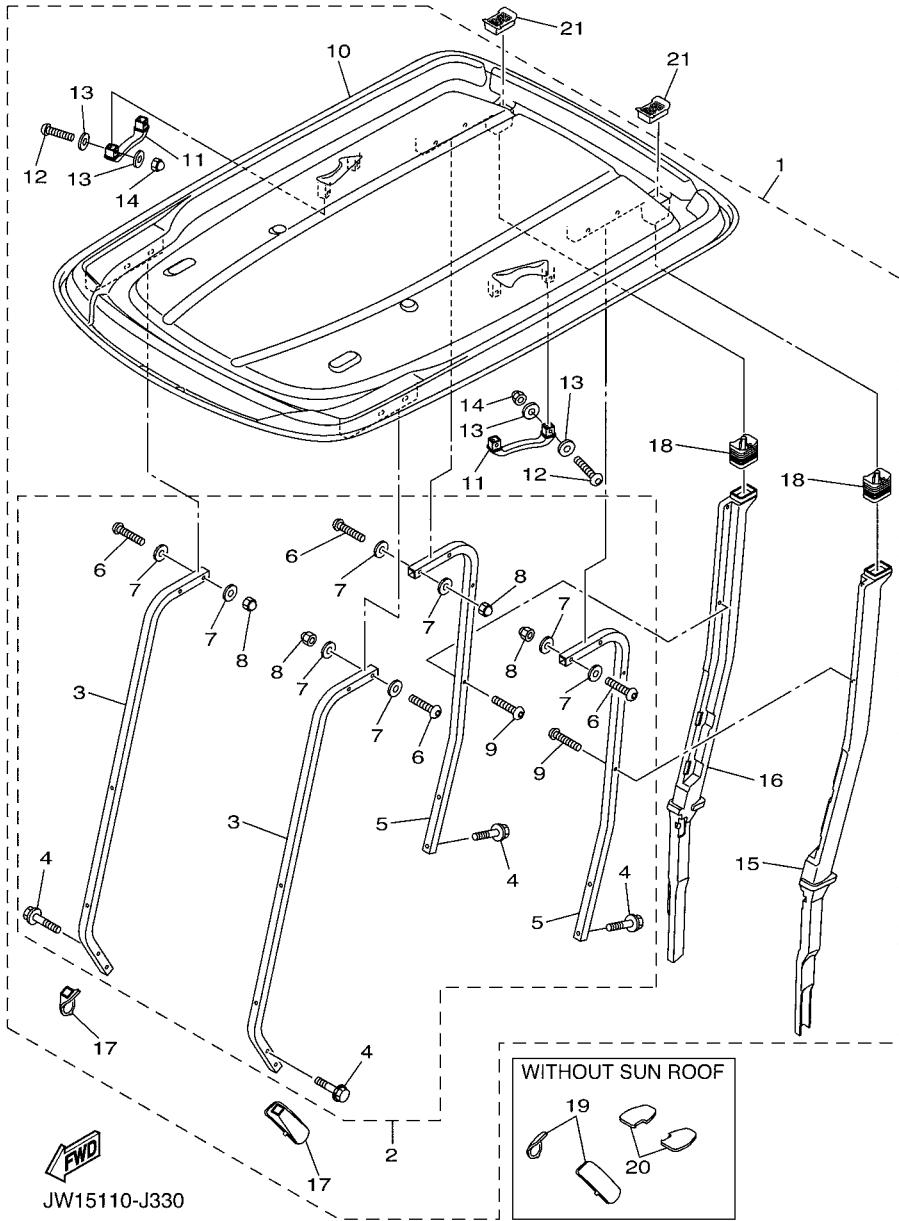
FIG. 19 ALTERNATE FOR WINDSHIELD



JW14100-H320

REF. NO.	PART NO.	DESCRIPTION	JCT1				REMARKS
1	JW1-K7200-01	WINDSHIELD ASSY, SOLID (CLEAR)	1				UR AP
	JW1-K7200-11	WINDSHIELD ASSY, SOLID(SMOKE)	1				UR AP
2	JW1-K7212-00	.BOLT (L: 45MM)	6				UR
	JW1-K7481-00	.BOLT (L: 50MM)	6				UR
3	JW1-K7237-01	.GROMMET	6				
4	JW1-K7115-00	.COLLAR	6				
5	90201-068G7	.WASHER, PLATE	12				
6	JW1-K7217-00	.NUT, WIND SHIELD	6				
7	JW1-K7200-21	WINDSHIELD ASSY, HINGED(CLEAR)	1				UR AP
	JW1-K7200-31	WINDSHIELD ASSY, HINGED(SMOKE)	1				UR AP
8	JW1-K7173-00	.LEVER, LATCH 1	2				
9	JW1-K7222-00	.BRACKET, WINDSHIELD(R.H)	2				
10	JW1-K7212-00	.BOLT (L: 45MM)	4				UR
	JW1-K7481-00	.BOLT (L: 50MM)	4				UR
11	JW1-K7237-01	.GROMMET	4				
12	JW1-K7115-00	.COLLAR	4				
13	90201-068G7	.WASHER, PLATE	8				
14	JW1-K7217-00	.NUT, WIND SHIELD	4				

FIG. 20 ALTERNATE FOR SUN ROOF



REF. NO.	PART NO.	DESCRIPTION	JC11		REMARKS
1	JW1-K84A0-01	SUN TOP KIT	1		AP
2	JW1-K84A2-00	.HARDWARE KIT, SUN TOP	1		
3	JW1-K8312-00	..SUPPORT, SUN ROOF 1	2		
4	JW1-K8388-00	..BOLT, ROOF 1	8		
5	JW1-K8313-01	..SUPPORT, SUN ROOF 2	2		
6	JU0-K8388-00	..BOLT, ROOF 1	8		
7	JW1-F1549-00	..WASHER, FENDER MOLD	16		
8	JU0-K8398-00	..NUT, ROOF 1	8		
9	JW1-K7387-00	..SCREW	4		
10	JW1-K8314-10	.COVER, SUN ROOF	1		
11	JW1-K8214-00	.GRIP, HAND	2		
12	JU0-K8388-00	.BOLT, ROOF 1	4		
13	JW1-F1549-00	.WASHER, FENDER MOLD	8		
14	JU0-K8398-00	.NUT, ROOF 1	4		
15	JW1-F413G-00	.TUBE, DRAIN	1		
16	JW1-F413J-00	.TUBE, DRAIN 2	1		
17	JW1-K832F-01	.GROMMET, ROOF SUPPORT 1	2		
18	JW1-F414G-10	.SEAL	2		
19	JW1-K832H-00	GROMMET, ROOF SUPPORT 3	2		
20	JW1-K833H-00	GROMMET, ROOF SUPPORT 4	2		
21	JW1-K8482-00	CAP, END	2		

NUMERICAL INDEX

PART NO.	REF. NO.	PART NO.	REF. NO.	PART NO.	REF. NO.	PART NO.	REF. NO.	PART NO.	REF. NO.	PART NO.	REF. NO.
401-22128-01	3 - 17	JN3-F3814-01	4 - 5	JW1-F7232-00	5 - 6	JW1-G6336-00	6 - 39	JW2-H2127-00	17 - 6	JC0-H4710-00	15 - 29
2NL-23448-00	3 - 10	JW1-F3822-00	4 - 30	JW1-F7238-00	5 - 14	JW1-G633H-00	6 - 38	JW2-H2133-00	17 - 2	JC0-H4718-00	15 - 32
2NL-23517-00	3 - 12	JU0-F3828-00	4 - 4	JW1-F723F-01	5 - 20	JW1-G633J-00	6 - 26	JW2-H2136-00	17 - 1		15 - 36
2HR-23526-00	3 - 3	1P0-F3833-00	4 - 27	JW1-F723G-00	5 - 21		6 - 35	JW2-H2149-00	17 - 7	JC0-H4730-00	15 - 33
JU0-23841-10	4 - 28	JW1-F3837-00	4 - 23	JW1-F7243-00	5 - 36	JW1-G6345-00	6 - 41	JN6-H2151-00	17 - 16	JU2-H5722-20	14 - 20
JF7-82817-20	17 - 27	JN3-F3838-00	4 - 6	JW1-F7249-00	5 - 34	JW2-G6348-01	6 - 8	JU2-H218E-01	14 - 33	JW2-H5885-00	5 - 45
4LR-83371-11	17 - 41	5UG-F3844-00	4 - 20	JW1-F7252-00	5 - 30	JW2-G6510-00	6 - 18	JR1-H235A-00	18 - 7	JU2-H6171-20	17 - 11
2GU-84332-00	15 - 11	JW2-F384K-00	6 - 17	JW1-F7254-00	5 - 40	JW2-G6520-00	6 - 27	JW6-H2510-00	17 - 49	JW2-H6172-00	17 - 12
	15 - 23	JU0-F3857-11	4 - 3	JW1-F7257-10	5 - 42	JW2-G6540-00	6 - 14	JU6-H2511-10	17 - 50	JW2-H6181-02	17 - 25
2GU-84334-00	15 - 10	JW1-F3866-00	4 - 25	JW1-F7275-00	5 - 35	JW1-G6542-00	6 - 22	JU2-H2517-20	14 - 21	JW2-H6510-01	16 - 1
	15 - 22	JW1-F387A-00	4 - 12	JW2-F7317-01	5 - 11		6 - 31	JU2-H2521-20	17 - 9	JW2-H6527-00	17 - 32
JW1-F1128-00	5 - 7	JW1-F387E-00	4 - 15	JC1-F7411-00	2 - 2	JW2-G6544-00	6 - 16	JU2-H2531-20	17 - 10	JU2-H7196-20	17 - 13
JW1-F1549-00	20 - 7	5UG-F387F-00	4 - 18	JW1-F7814-00	5 - 39	JW2-G6550-00	6 - 15	JU6-H2569-00	17 - 52	JW2-H7209-10	18 - 5
	20 - 13	5UG-F387G-00	4 - 16	JW1-F7825-00	5 - 24	JW1-H1128-00	17 - 54	5UG-H2579-00	17 - 51	JW2-H7234-01	18 - 2
JW1-F1738-00	2 - 3	5UG-F387J-00	4 - 19	JW2-F7850-10	5 - 4	JU2-H1160-20	14 - 3	JC1-H2590-00	17 - 15	JU2-HA2F0-00	17 - 39
JW2-F2110-00	1 - 1	5UG-F387K-00	4 - 17	JW1-F7853-00	5 - 38	JU2-H1617-20	14 - 4	JC1-H2590-10	17 - 15	JW1-K6179-01	10 - 13
JN6-F2123-10	1 - 2	JW1-F3894-00	4 - 26	JW1-F7855-00	5 - 13	JU2-H1670-21	14 - 18	JR6-H270X-00	17 - 42	JW1-K7115-00	19 - 4
JN6-F2124-10	1 - 8	JW1-F413G-00	20 - 15	JW1-F785A-10	5 - 32	JU2-H1801-20	14 - 6	JW2-H2727-00	16 - 2		19 - 12
JW1-F2176-00	6 - 19	JW1-F413J-00	20 - 16	JW1-F7871-00	5 - 29	JU2-H181K-20	14 - 16	JU2-H272L-20	14 - 19	JW1-K7173-00	19 - 8
	6 - 28	JW1-F414G-10	20 - 18	JC1-F7876-00	17 - 48	JU2-H181L-20	14 - 10	JU2-H2917-00	17 - 8	JW1-K7200-01	19 - 1
JW1-F217G-10	1 - 12	JW1-F4161-00	9 - 5	JW2-F8382-10	17 - 26	JU2-H332D-20	14 - 9	JU2-H332D-20	14 - 22	JW1-K7200-11	19 - 1
JW2-F2210-10	1 - 14	JW1-F467K-00	4 - 24	JW2-G4116-00	6 - 12	JU2-H1828-20	14 - 15	JC0-H333B-00	9 - 22	JW1-K7200-21	19 - 7
JW1-F2277-00	1 - 13	JW1-F4684-00	6 - 3	JW1-G4127-00	6 - 25	JH7-H1829-00	14 - 28	JC0-H334B-00	9 - 23	JW1-K7200-31	19 - 7
JW2-F2501-10	2 - 1	JW1-F5100-00	7 - 1		6 - 34	JU2-H182A-20	14 - 30	JR1-H3383-01	17 - 23	JW1-K7212-00	19 - 2
JW2-F252M-00	2 - 4	JN6-F5118-01	3 - 30	JW1-G4135-00	6 - 13	JU2-H182G-20	14 - 7	JN6-H3386-01	17 - 24		19 - 10
JW1-F258G-02	2 - 6		6 - 47	JW1-G4156-00	6 - 20	JU2-H182H-20	14 - 24	JW2-H351B-00	17 - 53	JW1-K7217-00	19 - 6
JW1-F2873-00	10 - 4	JW1-F5658-00	5 - 26		6 - 29	JU2-H182K-20	14 - 11	JU7-H3547-10	15 - 6		19 - 14
JW1-F2874-00	10 - 5	JW1-F5659-00	5 - 25	JW1-G4178-00	6 - 23	JU2-H1835-20	14 - 32		15 - 18	JW1-K7222-00	19 - 9
JW1-F2875-00	10 - 6	JW1-F5666-00	5 - 33		6 - 32	JU2-H183J-20	14 - 14	JC0-H360G-00	10 - 16	JW1-K7237-01	19 - 3
JW1-F2876-00	10 - 7	JW1-F5672-00	5 - 41	JW1-G4189-00	6 - 6	JU2-H1840-20	14 - 5	JC0-H360H-00	10 - 17		19 - 11
JW1-F2877-01	10 - 8	JW1-F5673-00	5 - 43	JW1-G4526-00	6 - 40	JU2-H1843-20	14 - 8	JW6-H4111-00	15 - 2	JW1-K7387-00	20 - 9
JW1-F3147-01	5 - 44	JW1-F5677-00	5 - 46	JW1-G4582-00	6 - 5	JU2-H1850-20	14 - 2	JW6-H4119-00	15 - 27	JC0-K7458-00	4 - 39
JW1-F3183-00	4 - 13	JW1-F5734-00	5 - 15	JW1-G4583-00	6 - 24	JU2-H1856-20	14 - 12	JW6-H4300-02	15 - 1	JC0-K7458-10	4 - 39
JW1-F3188-00	5 - 47	JW1-F5735-00	5 - 28		6 - 33	JU2-H185A-20	14 - 29		15 - 13	JC0-K7458-20	4 - 39
JW2-F3350-00	3 - 15	JW1-F5744-00	5 - 16	JW1-G5148-00	6 - 44	JU2-H185B-20	14 - 13	JW6-H4311-00	15 - 14	JW1-K7481-00	19 - 2
JW2-F3390-00	3 - 20	JW1-F5754-00	5 - 17	JW2-G6110-00	6 - 36	JU2-H1872-20	14 - 31	JW2-H4312-10	18 - 6		19 - 10
JW1-F3396-00	9 - 3	JW1-F582M-00	5 - 22	JW2-G6114-00	6 - 37	JU2-H1890-21	14 - 1	JW6-H4318-00	15 - 3	JW1-K7510-00	8 - 1
	11 - 3	JW1-F5866-01	5 - 18	JW2-G6117-00	6 - 7	JU6-H1910-00	17 - 45		15 - 15	JW1-K7540-00	8 - 5
JW1-F339Y-00	4 - 14	JW2-F6341-10	5 - 1	JW1-G6128-00	6 - 21	JU2-H191B-20	14 - 23	JW6-H4319-00	15 - 4	JC1-K7768-00	9 - 10
	5 - 23	JW1-F6466-01	5 - 19		6 - 30	JU6-H1950-00	17 - 18		15 - 16	JC1-K7768-10	9 - 10
JW1-F3400-00	4 - 11	JW1-F7117-00	5 - 8	JW2-G6134-00	6 - 43	JU2-H1962-00	18 - 8	JW6-H431R-00	15 - 25	JC1-K7768-20	9 - 10
5UG-F3489-00	4 - 21	JW1-F720G-00	5 - 5	JW2-G6159-00	6 - 4	JW2-H1962-00	18 - 3	JW6-H431T-00	15 - 26	JW2-K8114-01	9 - 6
JU0-F3511-01	3 - 4	JW1-F7211-01	5 - 31	JW2-G6163-00	6 - 42	JU2-H1962-10	18 - 8	JW1-H431U-10	15 - 30	JC0-K8115-00	9 - 1
JW1-F3512-00	3 - 5	JW1-F7213-00	5 - 37	JW2-G6164-00	6 - 9	JN6-H2105-00	17 - 21	JW6-H433E-01	15 - 9	JW6-K8115-10	9 - 1
JU0-F3521-01	3 - 13	JW1-F7216-00	5 - 27	JW2-G6167-00	6 - 11	JW2-H2107-01	18 - 1		15 - 21	JC0-K8115-20	9 - 1
5UG-F3527-00	4 - 22	JW1-F7217-00	5 - 9	JW1-G6168-00	6 - 2	JW2-H2107-10	18 - 4	JW1-H4387-10	15 - 34	JC0-K8115-30	9 - 1
JU0-F3570-20	3 - 1	JW1-F7218-00	5 - 12	JW2-G6300-01	6 - 1	JU2-H2113-20	14 - 17	JC0-H4514-00	15 - 31	JC0-K8115-40	9 - 1
JW1-F3811-01	4 - 1	JW1-F7227-00	5 - 10	JW2-G6320-01	6 - 10	JW2-H2115-00	17 - 5		15 - 35	JC0-K8115-50	9 - 1

NUMERICAL INDEX

PART NO.	REF. NO.	PART NO.	REF. NO.	PART NO.	REF. NO.	PART NO.	REF. NO.	PART NO.	REF. NO.	PART NO.	REF. NO.
JC0-K8115-60	9 - 1	JU0-K8398-00	20 - 14	90201-04810	4 - 36	93306-005Y3	3 - 25				
JC0-K8142-00	10 - 1	JW1-K8401-00	13 - 1	90201-068E2	14 - 27	93306-204X0	3 - 24				
JC0-K8142-10	10 - 1	JW1-K8402-00	13 - 9	90201-068G7	12 - 5	95602-06200	16 - 5				
JC0-K8142-20	10 - 1	JW1-K8423-00	12 - 1		19 - 5	95602-10200	1 - 16				
JC0-K8142-30	10 - 1	JW1-K8426-00	13 - 5		19 - 13		3 - 7				
JC0-K8142-40	10 - 1	JW1-K8427-00	13 - 7	90201-08310	17 - 3		8 - 7				
JC0-K8142-50	10 - 1	JW1-K8482-00	20 - 21	90201-128S4	1 - 11	95602-12200	1 - 10				
JC0-K8142-60	10 - 1	JW1-K84A0-01	20 - 1	90208-14801	3 - 28		4 - 9				
JW1-K8151-00	10 - 14	JW1-K84A2-00	20 - 2	90215-06811	14 - 26	95602-14100	3 - 29				
JW1-K8164-00	8 - 2	JG5-WF511-10	3 - 22	90267-60840	10 - 10	95612-12100	3 - 19				
JW1-K8174-00	8 - 6	90101-069U0	14 - 25	90267-63047	9 - 2	95702-06500	17 - 44				
JW1-K818A-00	11 - 2	90105-06042	13 - 3	90269-06804	9 - 15	95702-08500	17 - 4				
JW1-K818B-00	11 - 5	90105-06831	2 - 5		10 - 2	95812-08020	4 - 2				
JW1-K8191-00	11 - 6		2 - 7		11 - 4		5 - 48				
JW1-K8192-00	11 - 7	90105-06870	9 - 4	90269-07001	9 - 9	95812-10055	1 - 15				
JW1-K8214-00	20 - 11	90105-08867	17 - 38	90269-08813	10 - 3	95812-12065	1 - 9				
JW6-K8233-00	9 - 12	90105-088B0	8 - 3		10 - 12	95812-12080	3 - 18				
JW1-K8237-00	10 - 11	90105-10064	3 - 9	90269-09003	9 - 13	95822-06012	8 - 4				
JW1-K8245-00	9 - 17	90105-10267	3 - 14		9 - 14	95822-06016	16 - 4				
JW1-K8261-00	9 - 18		3 - 21	90381-17067	3 - 11		17 - 43				
JW1-K8262-00	9 - 21	90105-10728	3 - 6	90381-18001	3 - 2	95822-06040	16 - 3				
JW1-K8270-00	11 - 1	90105-10847	4 - 29	90387-046N7	4 - 38	97002-05010	17 - 46				
JW1-K8273-00	9 - 16	90105-13800	1 - 3	90387-12016	3 - 16	97012-08030	4 - 31				
JW2-K827A-10	10 - 9	90109-08002	12 - 2	90387-241M7	3 - 26	97012-10020	1 - 5				
JW2-K8297-01	10 - 15	90110-06007	9 - 19	90445-11032	6 - 45	9708R-06020	12 - 9				
JW2-K8297-10	10 - 15	90110-06102	12 - 4	90461-14108	17 - 37	97702-40525	4 - 35				
JW2-K8298-10	2 - 8	90110-06125	13 - 6	90464-20005	17 - 33	98502-05025	17 - 28				
JW2-K8298-20	2 - 8	90111-05805	9 - 7	90464-20237	17 - 40	98902-05016	15 - 12				
JW1-K8312-00	20 - 3	90114-12806	3 - 23	90464-25826	17 - 14		15 - 24				
JW1-K8313-01	20 - 5	90119-06808	13 - 10	90464-40825	17 - 17						
JW1-K8314-10	20 - 10	90119-06884	15 - 5		17 - 31						
JW1-K832F-01	20 - 17		15 - 17	90464-48800	17 - 35						
JW1-K832H-00	20 - 19	90159-06845	12 - 12	90464-51800	17 - 36						
JW1-K833H-00	20 - 20	90163-06005	17 - 22	90467-10008	6 - 46						
JW1-K8340-00	12 - 3	90163-06802	13 - 8	90468-20196	5 - 3						
JW1-K834G-00	12 - 8	90164-04800	15 - 28	90502-10013	4 - 37						
JN6-K8355-20	12 - 7	90173-06001	9 - 20	91402-25020	3 - 8						
JF2-K8356-00	12 - 6	90179-05807	17 - 19		4 - 10						
JN3-K8357-00	4 - 33	90179-08824	17 - 20	91701-10028	5 - 2						
JN6-K8358-01	4 - 34	90179-12262	7 - 2	92902-05100	17 - 29						
JW1-K835E-00	9 - 11	90179-13800	1 - 4	92902-05600	17 - 30						
JW1-K8361-00	13 - 2	90183-05008	9 - 8		17 - 47						
JW1-K8362-00	13 - 4	90183-050A6	15 - 8	92902-08600	4 - 32						
JN6-K8380-00	12 - 11		15 - 20	92902-10100	1 - 6						
JU0-K8388-00	20 - 6	90185-06836	12 - 10	92902-10600	1 - 7						
	20 - 12	90185-12061	4 - 7	92902-12200	4 - 8						
JW1-K8388-00	20 - 4	90201-03008	15 - 7	9299R-06200	12 - 13						
JU0-K8398-00	20 - 8		15 - 19	93102-30083	3 - 27						