



PARTS CATALOGUE

YDREX4 (JW95) CANADA, EUROPE, OTHERS

1NJW9-100E1

()



2014/08/18

NEWS No.	DATE	COMMENT
PE0-GC-130009	Oct.,29,2013	MOD:ALTERNATE FOR SUN ROOF LIST&ILLUST REVISION
PE0-GC-140007	Aug., 4,2014	COR:FIG.14/16 ELECTRIC MOTOR ILLUST CORRECTION

YDREX4
PARTS CATALOGUE
©2013 by Yamaha Motor Co., Ltd.
1st edition, June 2013
All rights reserved.
Any reprinting or unauthorized use
without the written permission of
Yamaha Motor Co., Ltd.
is expressly prohibited.
Printed in Japan.

FOREWORD

This Parts Catalogue is related to the parts for the model(s) on the cover page. When you are ordering replacement parts, please refer to this Parts Catalogue and quote both part numbers and part names correctly.

1. Modifications or additions which have been made after the issue of the Parts Catalogue will be announced in the Parts News.

It is advisable that you make the necessary corrections to the Parts Catalogue according to the Parts News.

2. Abbreviations

The following abbreviations are used in this Parts Catalogue.

“UR” Use specified parts number.

“UN” Use as many as needed.

“AP” Alternate Parts

“LM” Locally Made (Parts need to be ordered locally)

“F#” Frame No. (Applicable machine No.)

“O/S” Over Size

3. The number of components for assembly

- Parts, which are to be supplied in an assembly, are listed with a dot (.) in front of the part name as shown below.
- The numeral appearing to the right of each component part indicates the quantity of parts for each assembly unit.

PART NO.	DESCRIPTION	Q'TY	REMARKS
2F5-83310-60	FRONT FLASHER LIGHT ASSY	2	
115-83311-60	.BULB (6V-18W)	1	

4. Applicable colours of graphics are represented in the “REMARKS” as shown below.

PART NO.	DESCRIPTION	Q'TY	REMARKS
2N4-24110-00-X5	FUEL TANK COMP.	2	MXR
3J1-24240-10	.GRAPHIC, FUEL TANK	1	FOR MXR

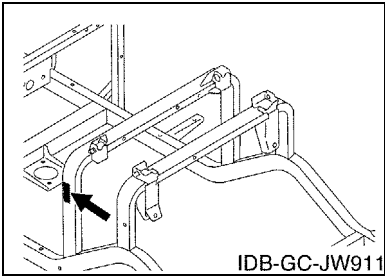
5. Note that the illustrations for reference in finding parts numbers are not to be used for assembling. When assembling, please use the applicable service manual.

6. The asterisk (*) before a reference number indicates modified items after the first edition.

FOREWORD

7. Applicable Serial No.

Frame Serial No.



10. Applicable Starting Serial No.

Frame Serial No.

Serial No.	Name Of Q'ty Column	Model Code
JW9-400101	JW95	JW95

8. Applicable Colour Code (The (*) mark shows Model colour.)

Abbreviation	Colour Name	Colour Code
BMG(*)	BLACK METALLIC G	1050
DPBST(*)	DARK PURPLISH BLUE SOLID T	1220
HTR(*)	HEAT RED	00EY
LNMP(*)	LIGHT GRAY METALLIC P	0925
LN YM8(*)	LIGHT GRAYISH YELLOW ME 8	1047
VDGS1(*)	VERY DARK GREEN SOLID 1	0614
WS7(*)	WHITE SOLID 7	1045

9. Quantity Column Information

Column No.	Name Of Q'ty Column	Destination
1	JW95	CANADA, EUROPE, OTHERS

CONTENTS

BODY

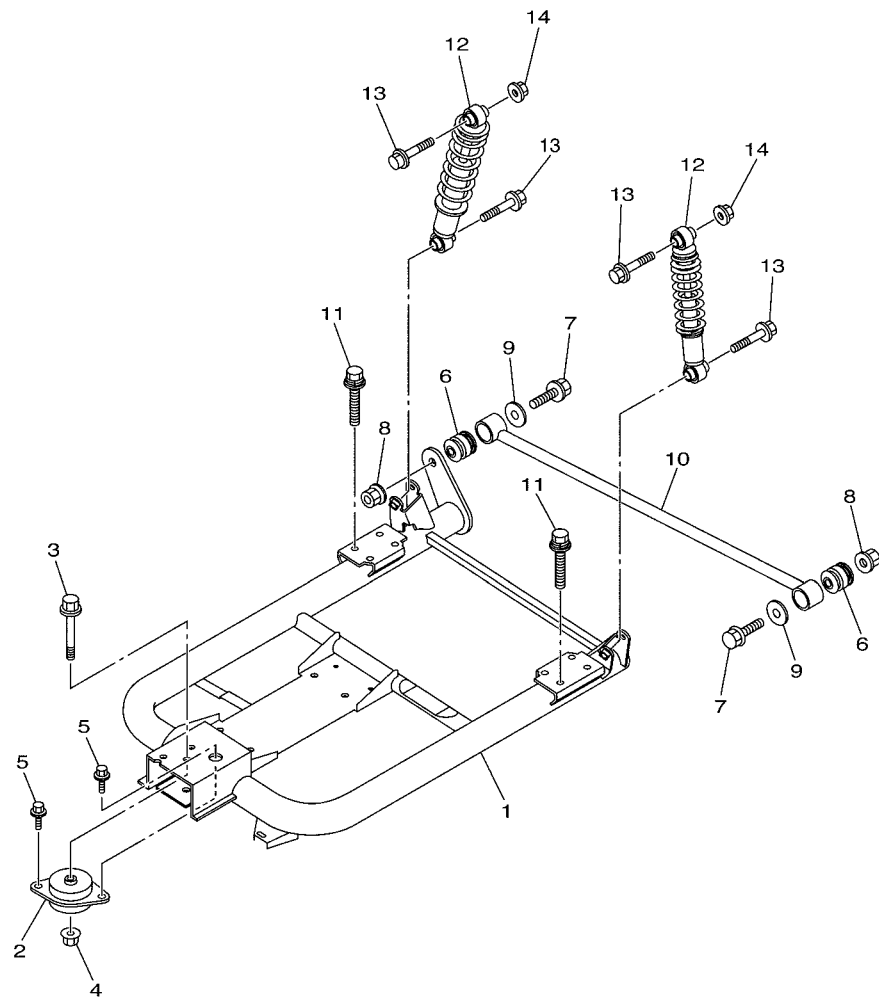
REAR ARM & SUSPENSION	1
FRAME	2
FRONT SUSPENSION	3
STEERING	5
PEDAL ASSEMBLY	7
TRANSAXLE & BRAKE	10
WHEEL	12
BUMPER	13
BODY	14
BODY 2	16
BODY FITTING	17
CARRIER	18
SEAT	19

ELECTRICAL

ELECTRIC MOTOR	20
CONTROLLER 1	22
ELECTRICAL 1	23
BATTERY CHARGER	25
ALTERNATE FOR WINDSHIELD	26
ALTERNATE FOR SUN ROOF	27

INDEX

NUMERICAL INDEX	28
-----------------------	----

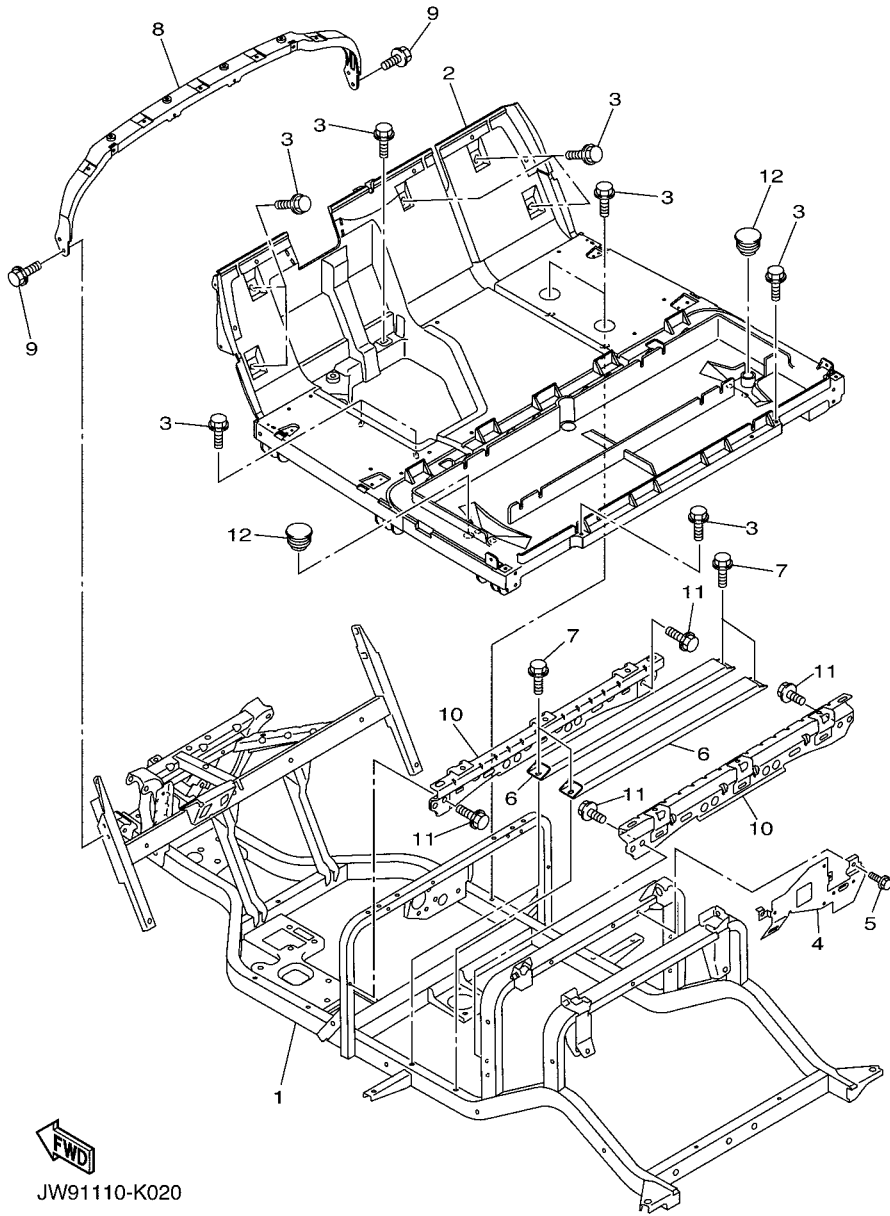


JC06110-N110

FIG. 1 REAR ARM & SUSPENSION

REF. NO.	PART NO.	DESCRIPTION	JW95				REMARKS
1	JW2-F2110-12	REAR ARM COMP.	1				
2	JN6-F2123-10	BUSH 1	1				
3	90105-13800	BOLT, FLANGE	1				
4	90179-13800	NUT	1				
5	90119-10044	BOLT, WITH WASHER	2				
6	JN6-F2124-10	BUSH 2	2				
7	95812-12065	BOLT, FLANGE	2				
8	95602-12200	NUT, SELF-LOCKING	2				
9	90201-128S4	WASHER, PLATE	2				
10	JW1-F217G-10	ROD, CONNECTING 2	1				
11	JW1-F2277-00	BOLT	8				
12	JW2-F2210-10	SHOCK ABSORBER ASSY, REAR	2				
13	95812-10055	BOLT, FLANGE	4				
14	95602-10200	NUT, U FLANGE	2				

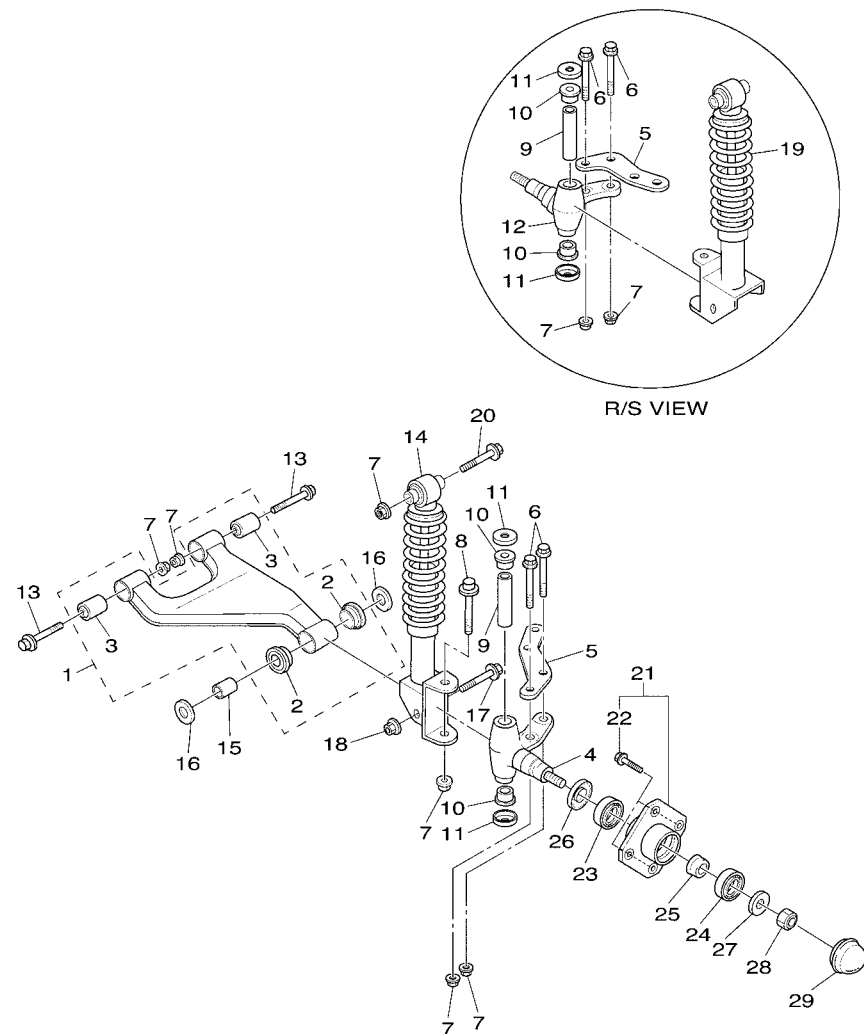
FIG. 2 FRAME



JW91110-K020

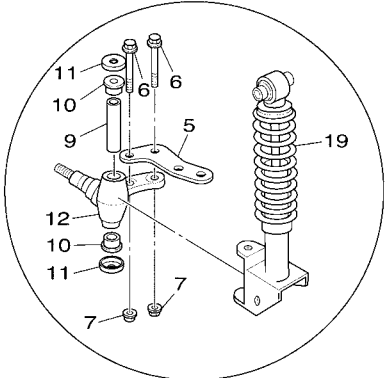
REF. NO.	PART NO.	DESCRIPTION	JW95		REMARKS
1	JW8-F2501-01	FRAME COMP.	1		
2	JW9-F7411-01	FOOTREST 1	1		
3	JW1-F1738-00	BOLT	12		
4	JW9-F252M-00	BRACKET, 3	1		
5	90105-06831	BOLT, FLANGE	3		
6	JW9-F2198-01	MEMBER, CROSS	2		
7	JW1-F1738-00	BOLT	4		
8	JW1-F258G-02	BRACKET, DASH UPPER 1	1		
9	90105-06831	BOLT, FLANGE	4		
10	JW9-F2535-00	STAY, BATTERY 1	2		
11	JW1-F1738-00	BOLT	4		
12	JW9-F2417-00	PLUG	2		

FIG. 3 FRONT SUSPENSION

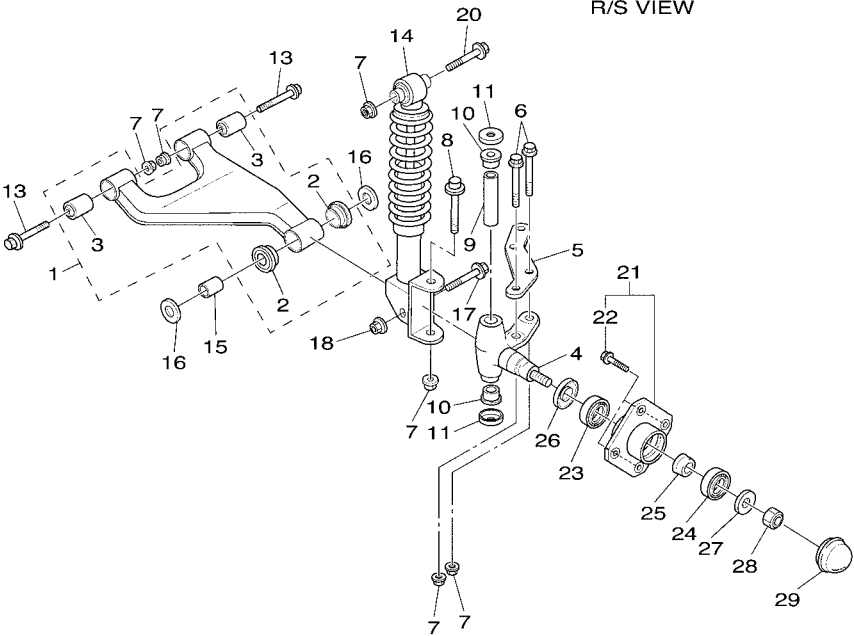


JC06110-N130

REF. NO.	PART NO.	DESCRIPTION	JW95				REMARKS
1	JU0-F3570-20	FRONT LOWER ARM COMP.	2				
2	90381-18001	.BUSH, SOLID	2				
3	2HR-23526-00	.BUSH	2				
4	JU0-F3511-10	KNUCKLE, STEERING 1	1				
5	JW1-F3512-00	ARM, KNUCKLE 1	2				
6	90105-10373	BOLT, FLANGE	4				
7	95602-10200	NUT, U FLANGE	12				
8	90105-10219	BOLT, FLANGE	2				
9	2NL-23448-00	SPACER	2				
10	90381-17067	BUSH, SOLID	4				
11	2NL-23517-00	COVER, THRUST 1	4				
12	JU0-F3521-10	KNUCKLE, STEERING 2	1				
13	90105-10267	BOLT, FLANGE	4				
14	JW2-F3350-00	SHOCK ABSORBER ASSY	1				
15	90387-12016	COLLAR	2				
16	401-22128-01	COVER, THRUST 1	4				
17	95812-12080	BOLT, FLANGE	2				
18	95612-12100	NUT, U	2				
19	JW2-F3390-00	SHOCK ABSORBER ASSY 2	1				
20	90105-10267	BOLT, FLANGE	2				
21	JG5-WF511-10	HUB, FRONT	2				
22	90114-12806	.BOLT, SERRATION	4				
23	93306-204X0	BEARING	2				
24	93306-005Y3	BEARING	2				
25	90387-241M7	COLLAR	2				
26	93102-30083	OIL SEAL	2				
27	90208-14801	WASHER, CONICAL SPRING	2				



R/S VIEW

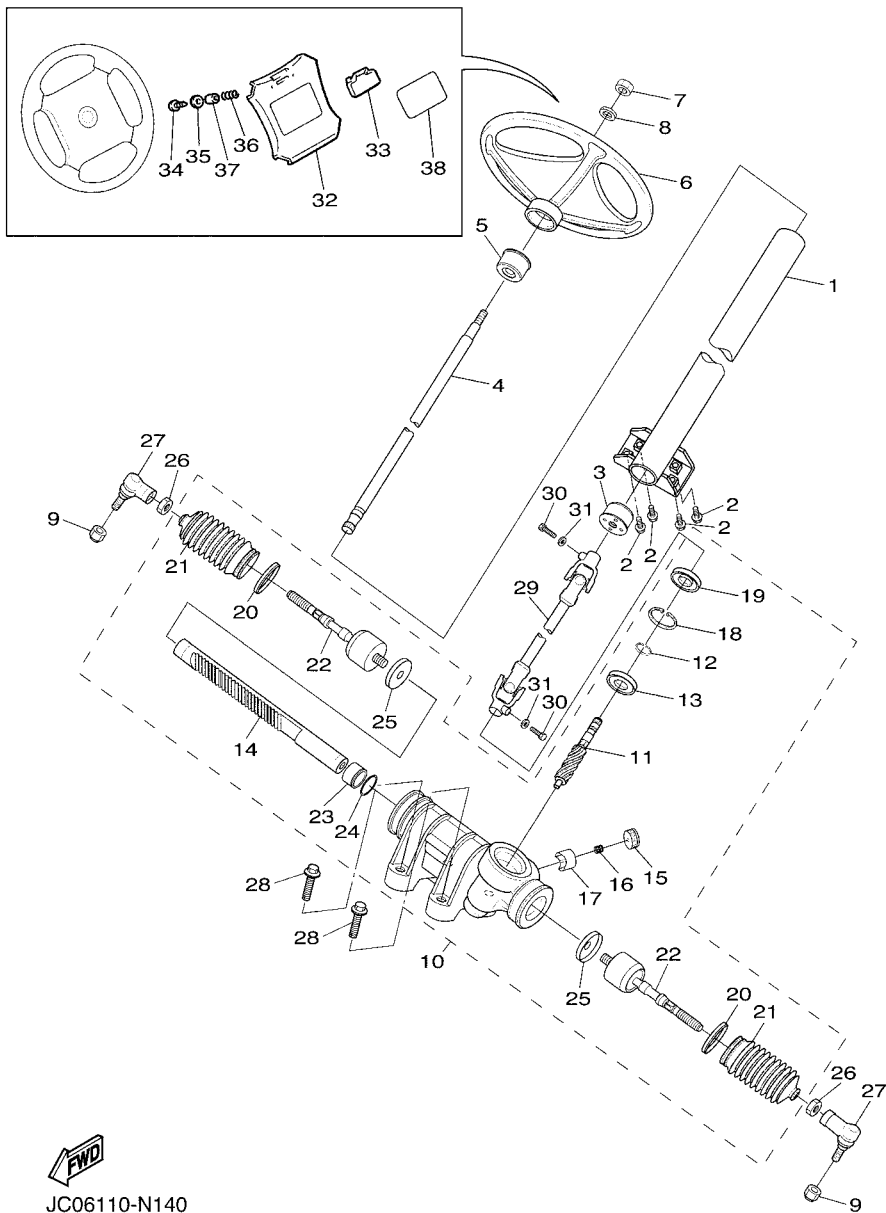


JC06110-N130

FIG. 3 FRONT SUSPENSION

REF. NO.	PART NO.	DESCRIPTION	JW95				REMARKS
28	95602-14100	NUT, U	2				
29	JN6-F5118-01	COVER, HUB DUST	2				

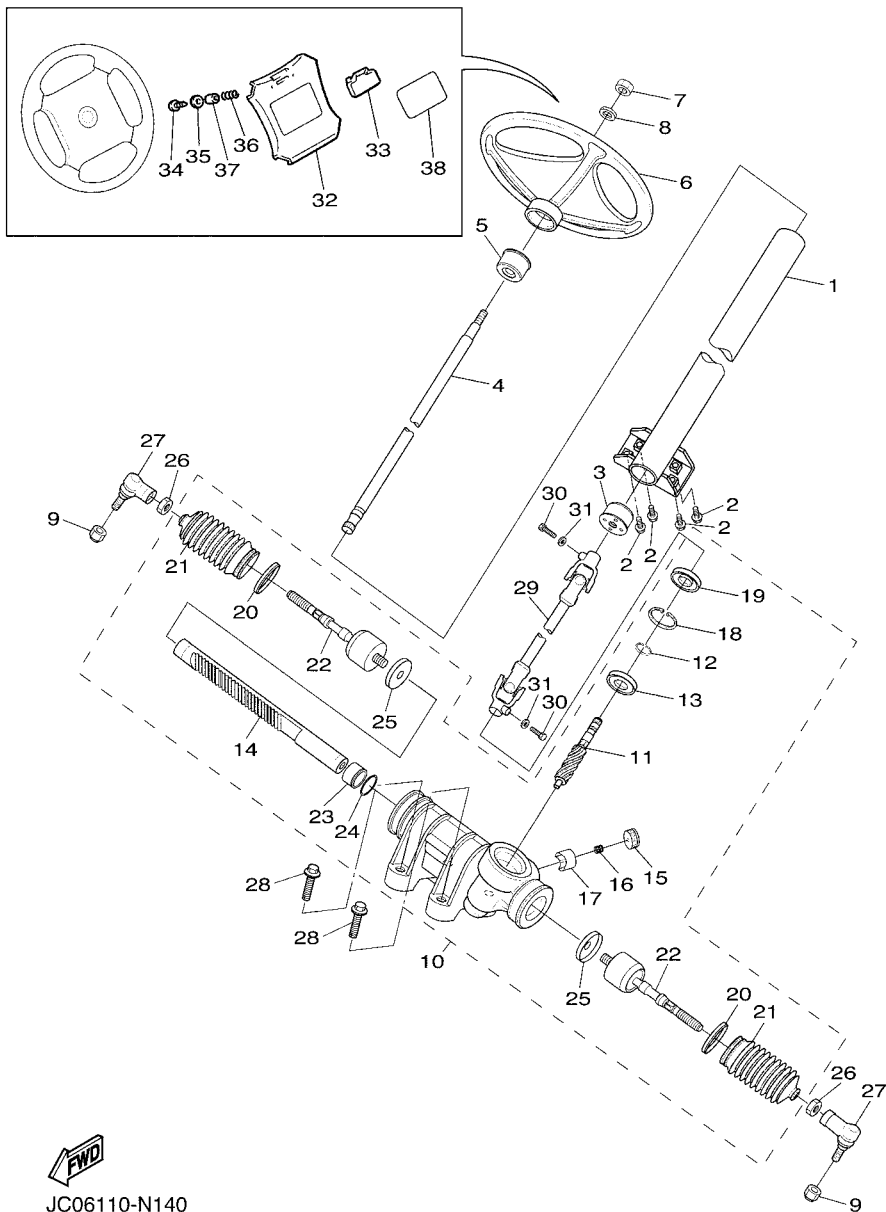
FIG. 4 STEERING



JC06110-N140

REF. NO.	PART NO.	DESCRIPTION	JW95				REMARKS
1	JW1-F3811-02	COLUMN, STEERING	1				
2	95812-08020	BOLT, FLANGE	4				
3	JU0-F3857-11	HOLDER	1				
4	JU0-F3828-10	ROD, STEERING	1				
5	JU0-F3857-11	HOLDER	1				
6	JN3-F3838-00	WHEEL, STEERING	1				
7	90185-12008	NUT, SELF-LOCKING	1				
8	92902-12200	WASHER	1				
9	95602-12200	NUT, SELF-LOCKING	2				
10	JW1-F3400-00	STEERING ASSY	1				
11	JW1-F387A-00	.GEAR,PINION	1				
12	JW1-F3183-00	.CIRCLIP	1				
13	JW1-F3812-00	.BEARING, STEERING	1				
14	JW1-F387E-00	.GEAR, RACK	1				
15	5UG-F387G-00	.COVER, ADJUST	1				
16	5UG-F387K-00	.SPRING, PRESSURE	1				
17	5UG-F387F-00	.PAD, PRESSURE	1				
18	5UG-F387J-00	.RING, STOPPER	1				
19	5UG-F3844-00	.SEAL	1				
20	5UG-F3489-00	.BAND	2				
21	5UG-F3527-00	.SEAL, DUST 1	2				
22	JW1-F3837-00	.ROD, TIE 2	2				
23	JW1-F467K-00	.BUSH, CAP	1				
24	JW1-F3866-00	.CIRCLIP	1				
25	JW1-F3894-00	.WASHER, LOCK 1	2				
26	1P0-F3833-00	NUT 1	2				
27	JW8-23841-00	JOINT, UNIVERSAL 1	2				

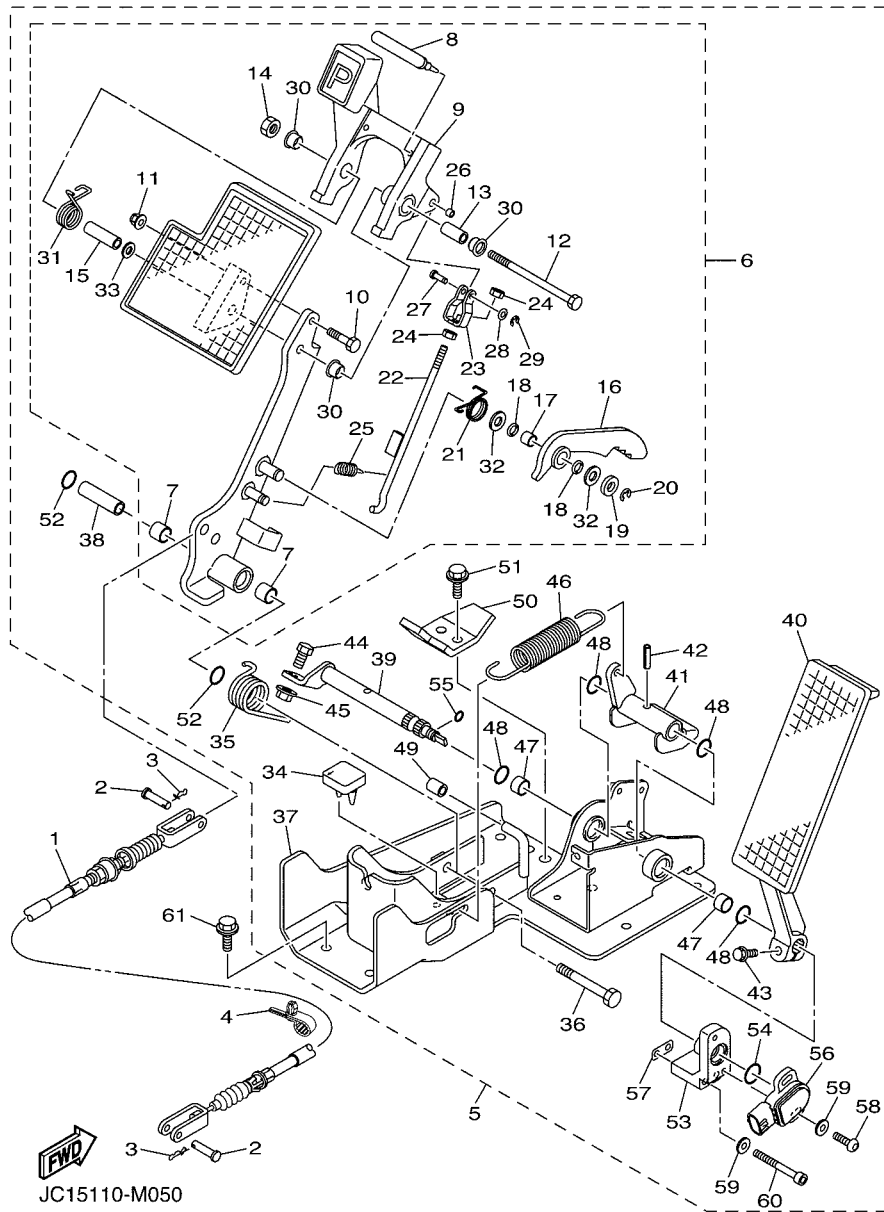
FIG. 4 STEERING



JC06110-N140

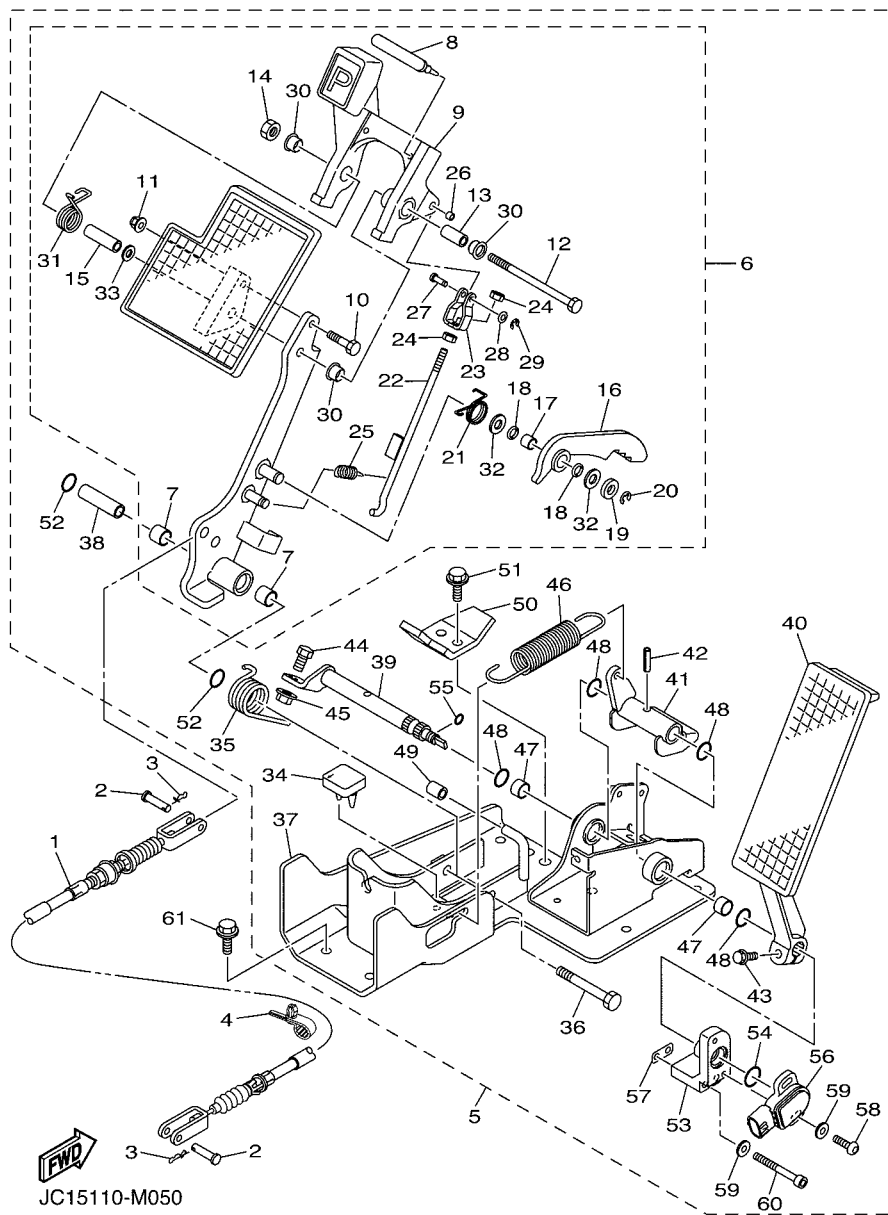
REF. NO.	PART NO.	DESCRIPTION	JW95				REMARKS
28	90105-10847	BOLT, FLANGE	4				
29	JW1-F3822-01	JOINT 1	1				
30	97012-08030	BOLT	2				
31	92902-08600	WASHER, PLATE	2				
32	JW8-K8357-00	HOLDER 1	1				
33	JN6-K8358-01	HOLDER 2	1				
34	97702-40525	SCREW, TAPPING	2				
35	90201-04810	WASHER, PLATE	2				
36	90502-10013	SPRING, CONICAL	2				
37	90387-046N7	COLLAR	2				
38	JW8-K7762-00	LABEL, WARNING 2	1				(E)CAN,JPN
	JW8-K7762-11	LABEL, WARNING 2	1				(E,F)EXC. CAN,JPN
	JW8-K7762-21	LABEL, WARNING 2	1				(G,S)EXC. CAN,JPN

FIG. 5 PEDAL ASSEMBLY



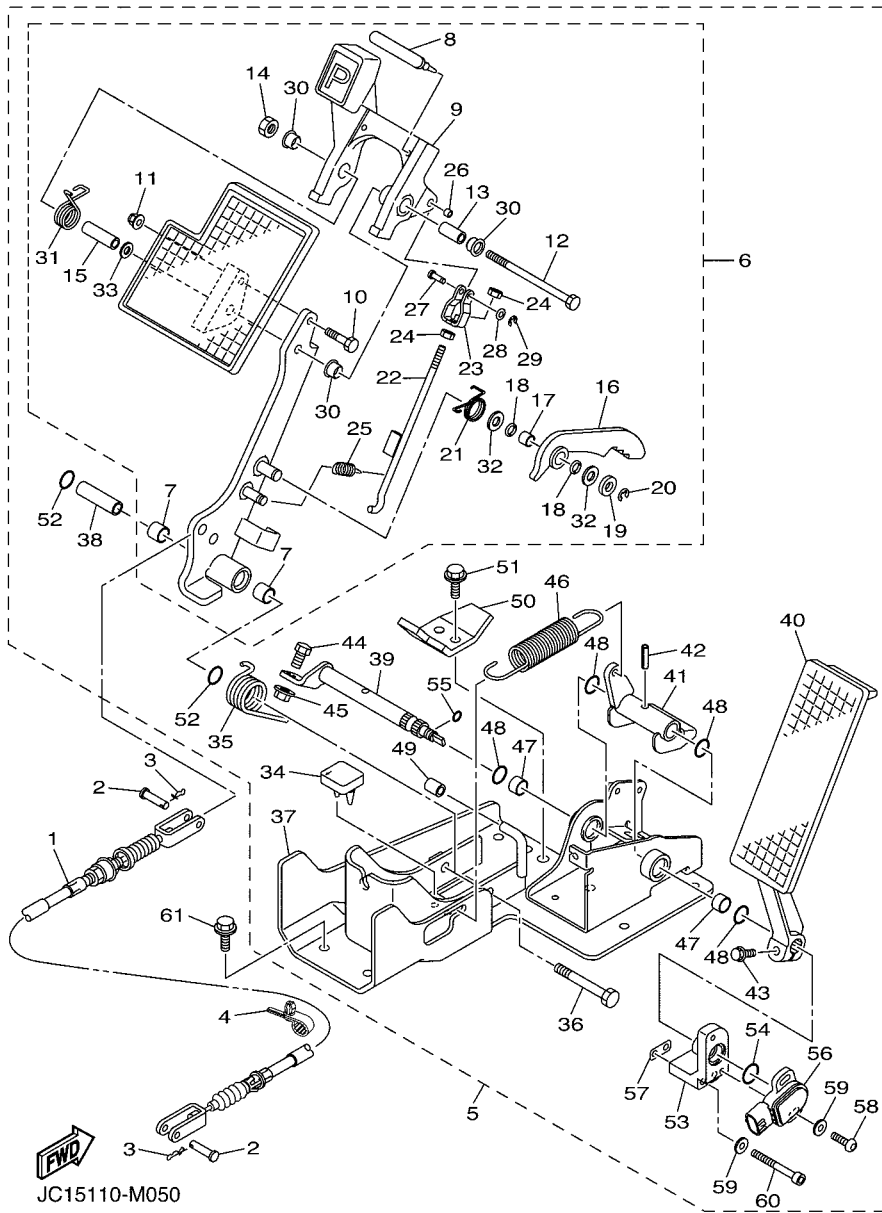
REF. NO.	PART NO.	DESCRIPTION	JW95				REMARKS
1	JW2-F6341-31	WIRE, BRAKE 1	1				
2	91702-10028	PIN, CLEVIS	2				
3	90468-20196	CLIP	2				
4	JW7-F312H-00	CLAMP	2				
5	JW9-F7850-21	PEDAL ASSY (L.H)	1				
6	JW9-F7200-21	..PEDAL, BRAKE	1				
7	JW8-F7814-20	..BUSH, PEDAL	2				
8	JW9-F5672-00	..PAD, PARKING PEDAL	1				
9	JW9-F5671-00	..PEDAL, PARKING BRAKE	1				
10	JW8-F7117-00	..BOLT, MAIN STAND	1				
11	JW8-F8363-00	..NUT	1				
12	JW8-F7416-00	..BOLT, FOOTREST	1				
13	JW8-F639N-00	..COLLAR	1				
14	JW8-F7218-00	..NUT	1				
15	JW8-F7113-00	..COLLAR, MAIN STAND	1				
16	JW9-F5666-00	..SECTOR, PARKING BRAKE	1				
17	JW8-F7121-00	..BUSH	1				
18	JW9-F7221-00	..SEAL, SHAFT	2				
19	JW8-F7322-00	..WASHER	1				
20	JW8-F3183-00	..CIRCLIP	1				
21	JW8-F7426-01	..SPRING, RETURN	1				
22	JW9-F7231-10	..ROD, BRAKE	1				
23	JW9-F7232-00	..END, ROD 2	1				
24	JW8-F7318-00	..NUT	2				
25	JW8-F6314-00	..SPRING	1				
26	JW8-F639L-00	..BUSH 1	1				
27	JW9-F7228-00	..PIN, JOINT	1				

FIG. 5 PEDAL ASSEMBLY



REF. NO.	PART NO.	DESCRIPTION	JW95				REMARKS
28	JW8-F8323-00	..WASHER, LEG SHIELD	1				
29	JW8-F5415-00	..CIRCLIP	1				
30	90386-12800	..BUSH	3				
31	JW8-F7825-01	..SPRING, RETURN	1				
32	JW8-F7119-00	..WASHER	2				
33	JW8-F8319-00	..WASHER	1				
34	JW9-F7245-10	.PAD, BRAKE PEDAL	1				
35	JW8-F7316-01	.SPRING, SIDE STAND	1				
36	JW8-F7217-00	.BOLT	1				
37	JW9-F7445-20	.PLATE 1	1				
38	JW8-F7213-20	.COLLAR	1				
39	JW9-F7853-00	.SHAFT, PEDAL 1	1				
40	JW9-F7871-10	.PEDAL, ACCELERATOR	1				
41	JW9-F7872-20	.ARM, ACCELERATOR PEDAL	1				
42	JW8-F7438-00	.PIN, CLEVIS	1				
43	JW8-F7434-00	.BOLT	1				
44	JW8-F7317-00	.BOLT	1				
45	JW8-F7118-00	.NUT	1				
46	JW8-F815H-01	.SPRING	1				
47	JW8-F7814-21	.BUSH, PEDAL	2				
48	JW8-F4486-00	.O-RING	4				
49	JW9-F5673-00	.DAMPER, BRAKE	1				
50	JW9-F7246-20	.NAIL, BRAKE	1				
51	JW8-F8331-00	.BOLT, LEG SHIELD	2				
52	JW8-F4486-00	.O-RING	2				
53	JW9-F7263-00	.BRACKET 1	1				
54	JW9-F4648-20	.O-RING	1				

FIG. 5 PEDAL ASSEMBLY



REF. NO.	PART NO.	DESCRIPTION	JW95				REMARKS
55	JW8-F41B8-00	.O-RING	1				
56	JW9-H5885-00	.THROTTLE SENSOR ASSY	1				
57	JW9-F5827-00	.SHIM, CALIPER	1				UR
	JW9-F5827-10	.SHIM, CALIPER	1				UR
58	JW9-F632G-00	.SCREW	2				
59	90201-05824	.WASHER, PLATE	4				
60	JW8-F7435-00	.BOLT	2				
61	95812-08020	BOLT, FLANGE	6				

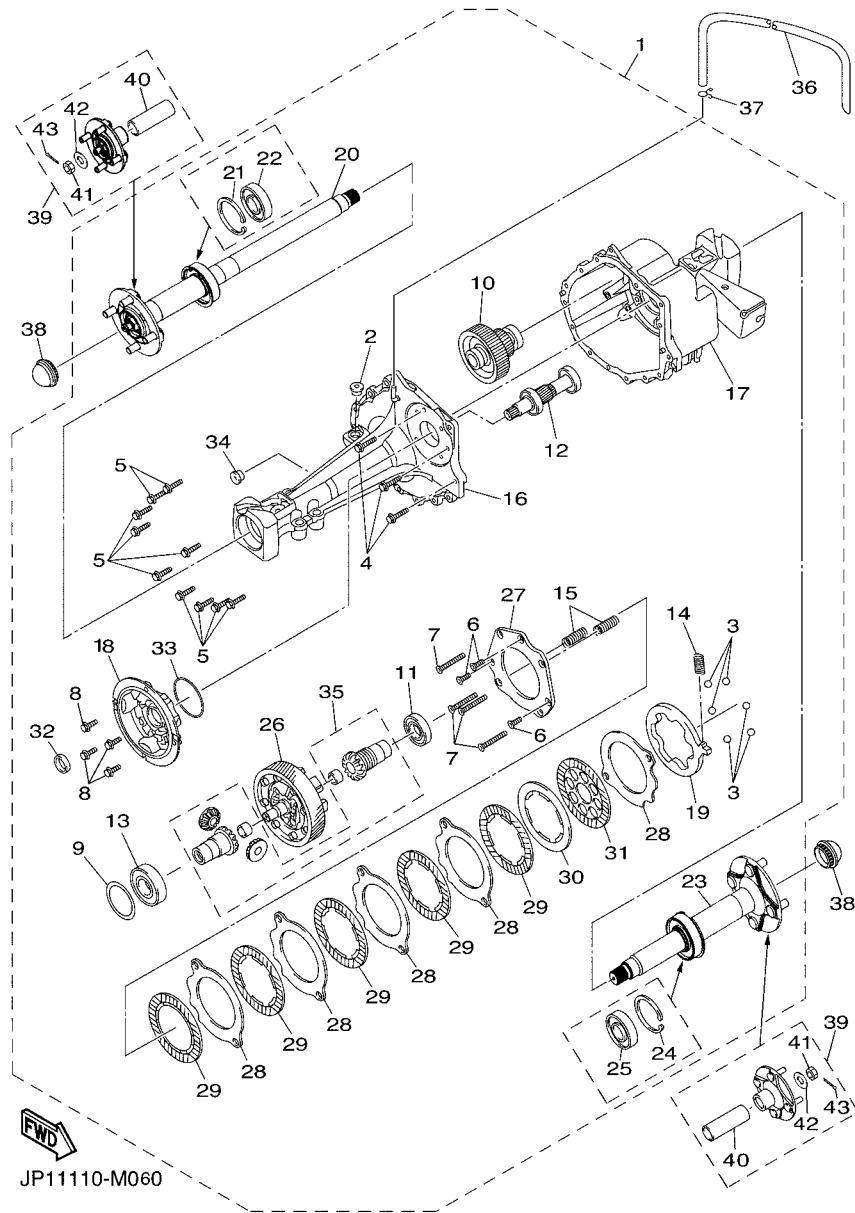


FIG. 6 TRANSAXLE & BRAKE

REF. NO.	PART NO.	DESCRIPTION	JW95				REMARKS
1	JW2-G6300-04	TRANS AXLE ASSY	1				
2	JW1-G6168-00	.PLUG, DRAIN 1	1				
3	JW1-F4684-00	.BALL	6				
4	JW2-G6159-00	.BOLT 3	4				
5	JW1-G4582-00	.BOLT, 2	10				
6	JW1-G4189-00	.SCREW	3				
7	JW1-G6158-00	.BOLT 2	4				
8	JW2-G4165-00	.SCREW, DETENT	4				
9	JW2-G6117-00	.SHIM, RING GEAR	1				UN
10	JW2-G6348-01	.SHAFT 2	1				
11	JW2-G6164-00	.BEARING 1	1				
12	JW2-G6320-01	.INPUT SHAFT ASSY	1				
13	JW2-G6167-00	.BEARING 4	1				
14	JW2-G4116-00	.SPRING	1				
15	JW1-G4135-00	.SPRING	2				
16	JW2-G6540-01	.REAR AXLE HOUSING COMP.	1				
17	JW2-G6550-01	.REAR AXLE HOUSING COMP. 2	1				
18	JW2-G6544-00	.FLANGE 1	1				
19	JW2-F384K-00	.BALL, SEAT	1				
20	JW2-G6510-01	.REAR AXLE SHAFT COMP.	1				
21	JW1-G4156-00	..RING, SNAP	1				
22	JW1-F2176-00	..BEARING	1				
23	JW2-G6520-01	.REAR AXLE SHAFT COMP. 2	1				
24	JW1-G4156-00	..RING, SNAP	1				
25	JW1-F2176-00	..BEARING	1				
26	JW2-G6110-00	.RING GEAR COMP.	1				
27	JW2-G6114-00	.PLATE, COVER	1				

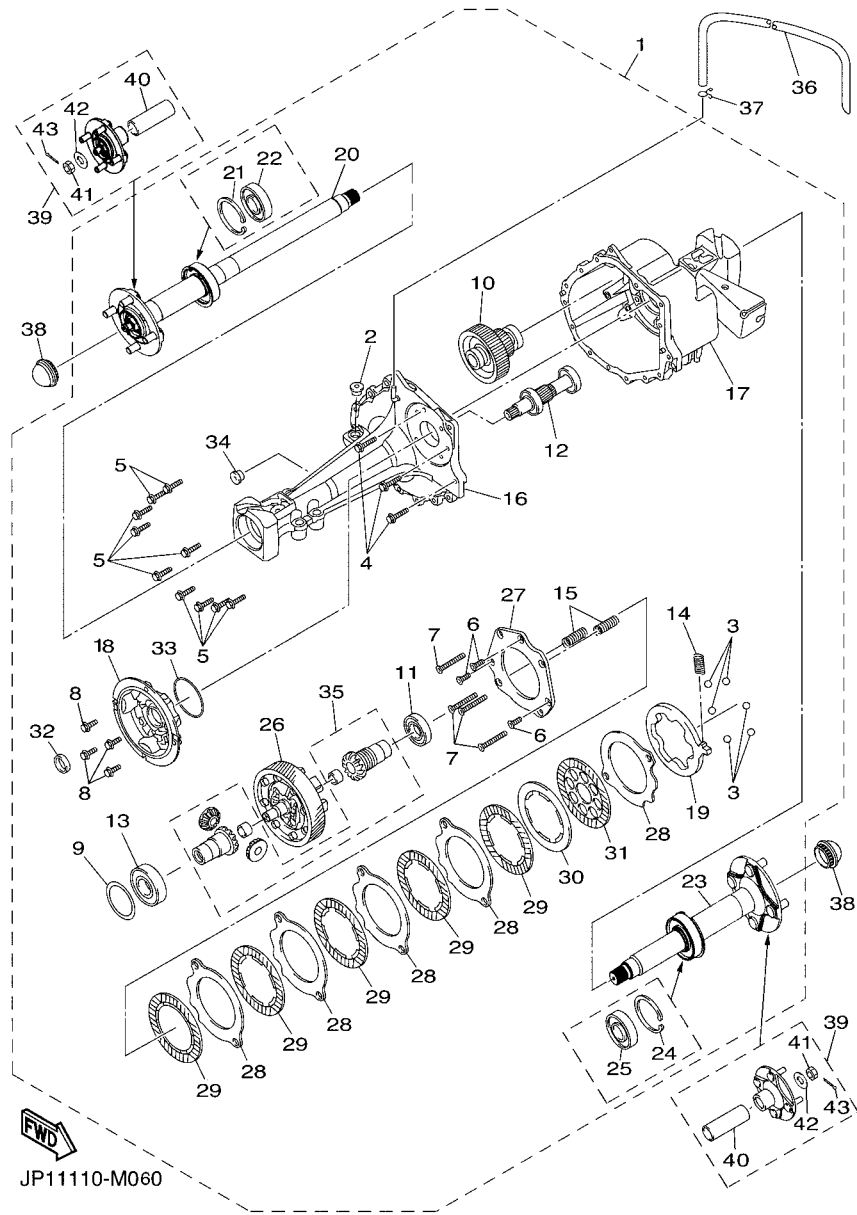
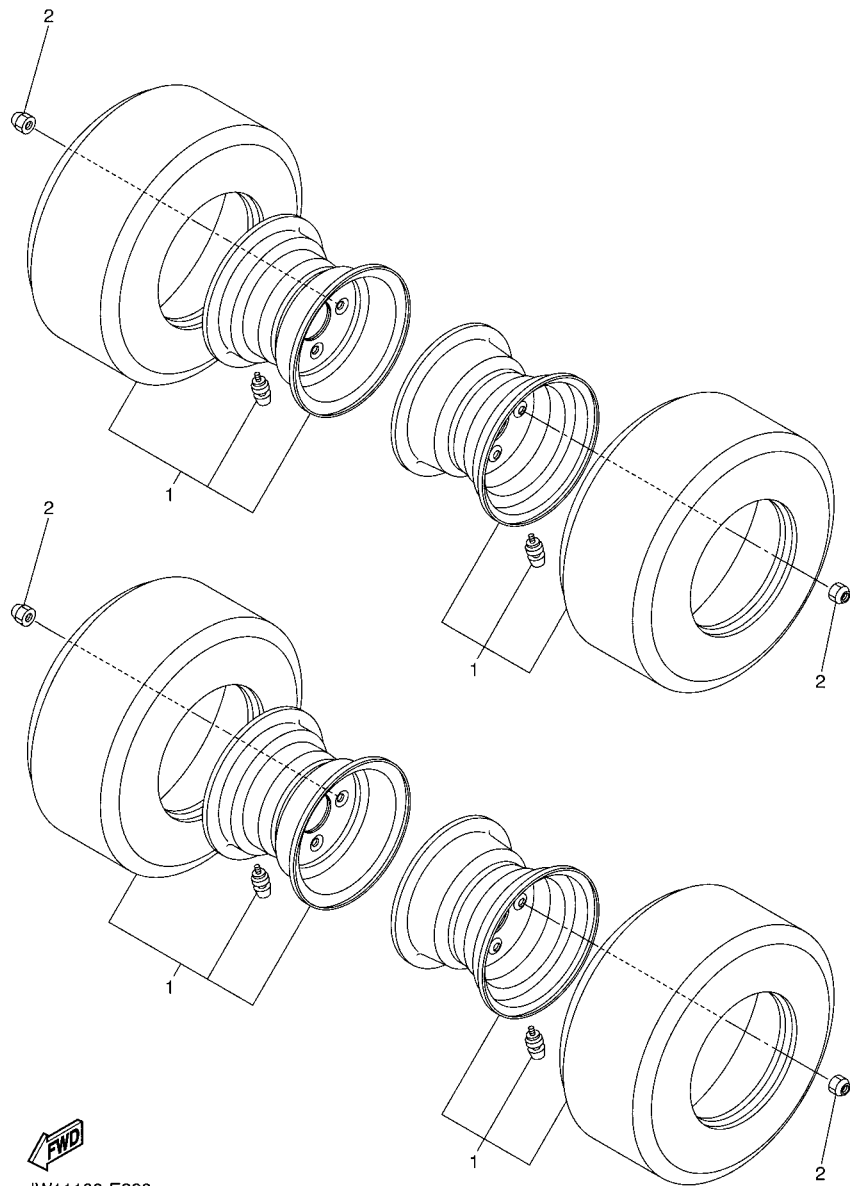


FIG. 6 TRANSAXLE & BRAKE

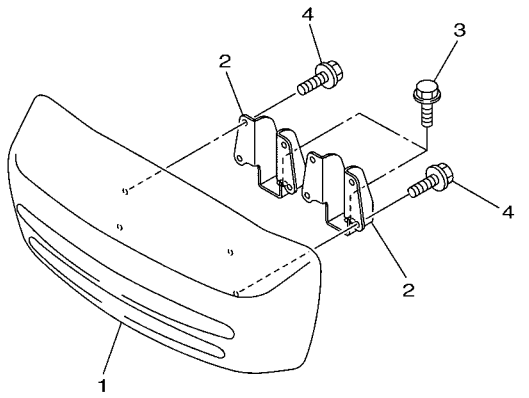
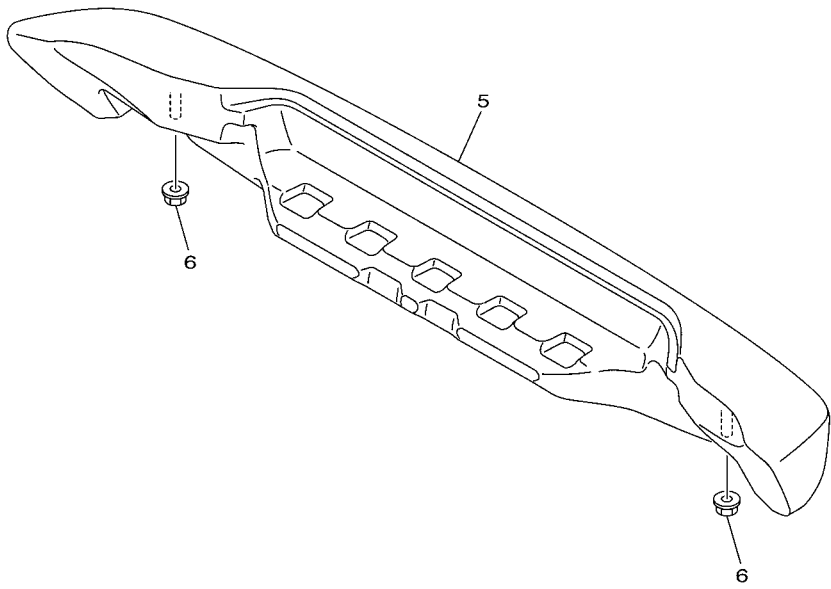
REF. NO.	PART NO.	DESCRIPTION	JW95				REMARKS
28	JW1-G633H-00	.PLATE 2	5				
29	JW1-G6336-00	.PLATE 1	5				
30	JW1-G4526-00	.PLATE	1				
31	JW1-G6345-00	.DISC, FRICTION	1				
32	JW2-G6163-00	.SEAL, OIL 1	1				
33	JW2-G6134-00	.O-RING 1	1				
34	JW1-G5148-00	.PLUG, DRAIN	1				
35	JW1-G6410-20	.DIFFERENTIAL ASSY.	1				
36	90445-11032	HOSE	1				
37	90467-10008	CLIP	1				
38	JN6-F5118-01	COVER, HUB DUST	2				
39	JW1-F53T0-09	REAR HUB SET	2				
40	JW1-G6128-01	.SPACER, BEARING	1				
41	JW1-G4583-10	.NUT	1				
42	JW1-G2376-00	.WASHER, SPECIAL	1				
43	JW1-G633J-00	.PIN, COTTER	1				



JW11100-E220

FIG. 7 WHEEL

REF. NO.	PART NO.	DESCRIPTION	JW95			REMARKS
1	JW1-F5100-01	WHEEL ASSY (18X8.50-8-4PLY)	4			
2	90179-12262	NUT	16			



JC06110-N230

FIG. 8 BUMPER

REF. NO.	PART NO.	DESCRIPTION	JW95				REMARKS
1	JW1-K7510-01	FRONT BUMPER COMP.	1				
2	JW1-K8164-00	STAY, FRONT BUMPER (L.H)	2				
3	90105-088B0	BOLT, FLANGE	2				
4	95822-06012	BOLT, FLANGE	4				
5	JW8-K7540-00	REAR BUMPER COMP.	1				
6	95602-10200	NUT, U FLANGE	2				

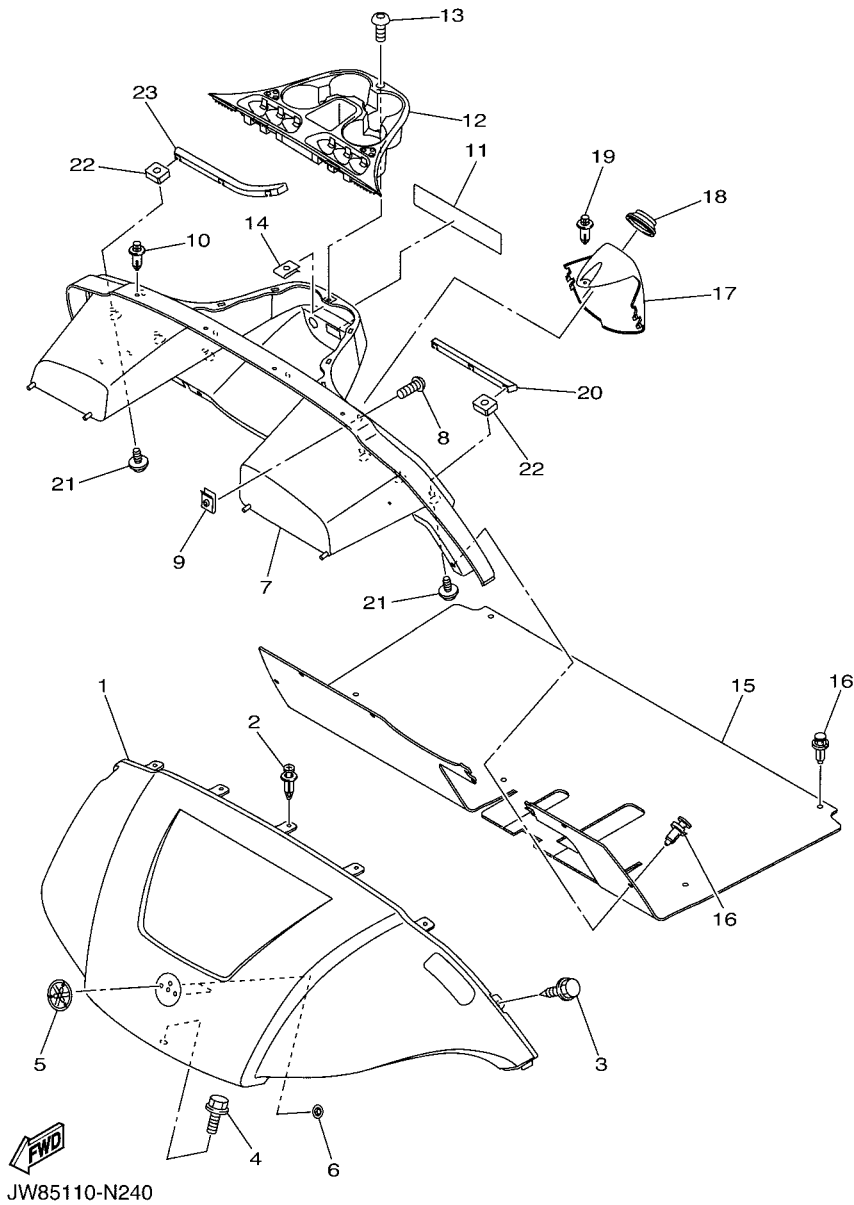


FIG. 9 BODY

REF. NO.	PART NO.	DESCRIPTION	JW95			REMARKS
1	JW1-K8115-01	COWL, FRONT	1			UR FOR WS7
	JW1-K8115-11	COWL, FRONT	1			UR FOR VDGS1
	JW1-K8115-21	COWL, FRONT	1			UR FOR HTR
	JW1-K8115-31	COWL, FRONT	1			UR FOR LNYM8
	JW1-K8115-90	COWL, FRONT	1			UR FOR LNMP
	JW1-K8115-51	COWL, FRONT	1			UR FOR BMG
	JW1-K8115-80	COWL, FRONT	1			UR FOR DPBST
2	90269-06800	RIVET	5			
3	JW1-F3396-01	SCREW, SPECIAL	2			
4	90105-06870	BOLT, FLANGE	1			
5	JW1-F4161-10	EMBLEM 1	1			
6	90183-06071	NUT, SPRING	2			
7	JW2-K8114-01	PANEL, FRONT	1			UR FOR CAN
	JW2-K8114-11	PANEL, FRONT	1			UR EXCEPT FOR CAN
8	90111-05805	BOLT,HEX. SOCKET BUTTON	4			
9	90183-05008	NUT, SPRING	4			
10	90269-07001	RIVET	5			
11	JW9-K7768-00	LABEL, WARNING	1			(E)CAN,JPN
	JW9-K7768-11	LABEL, WARNING	1			(E,F)EXC. CAN,JPN
	JW9-K7768-21	LABEL, WARNING	1			(G,S)EXC. CAN,JPN
12	JW8-K835E-00	HOLDER, BEVERAGE	1			
13	90111-05805	BOLT,HEX. SOCKET BUTTON	1			
14	90183-05008	NUT, SPRING	1			
15	JW1-K8233-30	MAT, MAIN FLOOR 3	1			
16	90269-09003	RIVET	10			
17	JW1-K8273-00	COVER, HOLE	1			
18	JW1-K8245-00	SEAL 1	1			

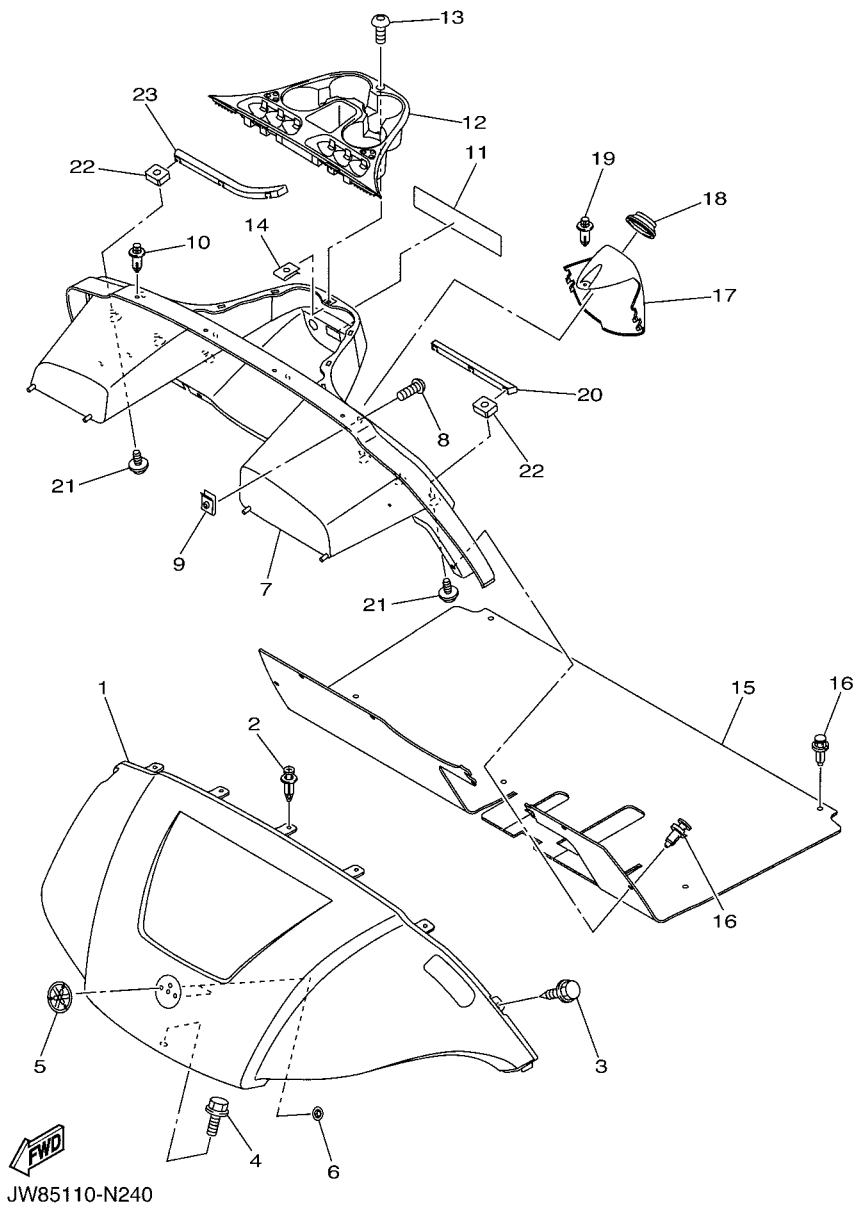
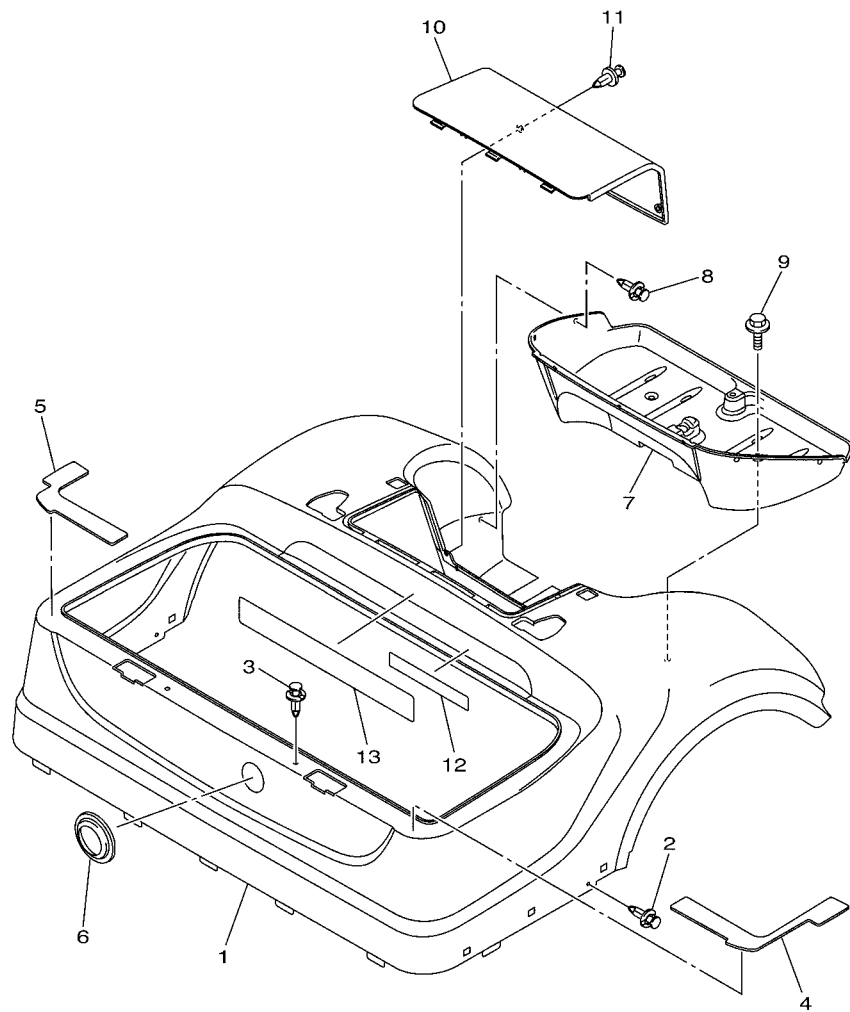


FIG. 9 BODY

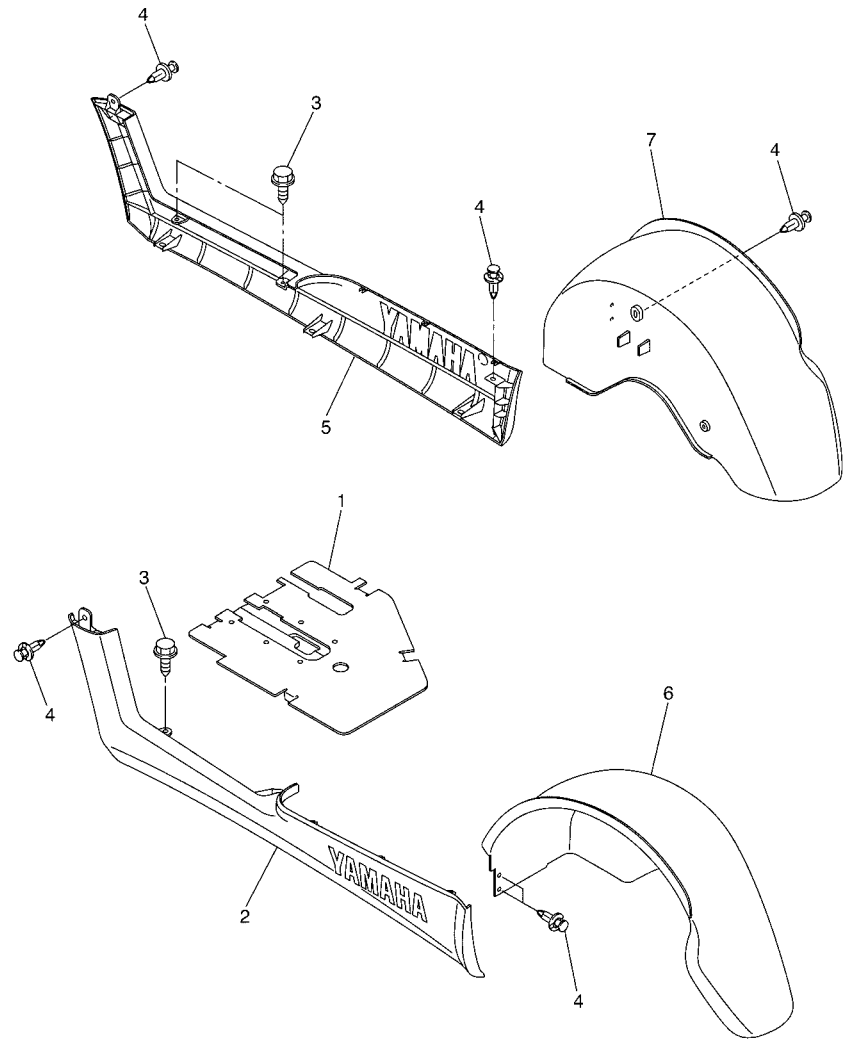
REF. NO.	PART NO.	DESCRIPTION	JW95			REMARKS
19	90269-06804	RIVET	1			
20	JW1-K8261-00	PLATE, BODY PROTECT 1	1			
21	90119-06244	BOLT, WITH WASHER	6			
22	90173-06010	NUT, SQUARE	6			
23	JW1-K8262-00	PLATE, BODY PROTECT 2	1			



JW95110-N100

FIG. 10 BODY 2

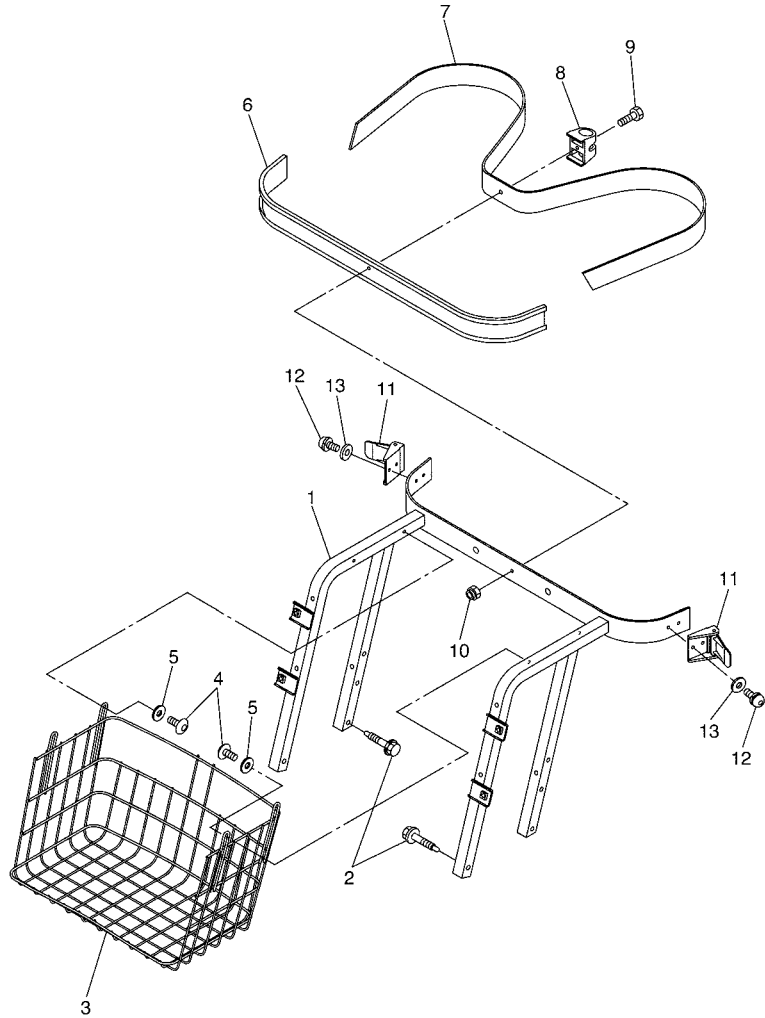
REF. NO.	PART NO.	DESCRIPTION	JW95		REMARKS
1	JW1-K8142-00	PANEL, REAR BODY	1		UR FOR WS7
	JW1-K8142-10	PANEL, REAR BODY	1		UR FOR VDGS1
	JW1-K8142-20	PANEL, REAR BODY	1		UR FOR HTR
	JW1-K8142-30	PANEL, REAR BODY	1		UR FOR LNYM8
	JW1-K8142-90	PANEL, REAR BODY	1		UR FOR LNMP
	JW1-K8142-50	PANEL, REAR BODY	1		UR FOR BMG
	JW1-K8142-80	PANEL, REAR BODY	1		UR FOR DPBST
2	90269-06804	RIVET	2		
3	90269-08813	RIVET	2		
4	JW1-F2873-10	SEAL 1	1		
5	JW1-F2874-10	SEAL 2	1		
6	JW9-K827A-00	GUIDE 1	1		
7	JW1-K8237-10	COVER, REAR FLOOR	1		
8	90269-08813	RIVET	7		
9	JW1-K6179-01	BOLT, SPECIAL 1	2		
10	JW1-K8151-00	PANEL, INSPECTION LID 1	1		
11	90269-08813	RIVET	2		
12	JW9-K8298-10	PLATE, CAUTION 2	1		UR FOR CAN,JPN
	JW9-K8298-20	PLATE, CAUTION 2	1		UR EXCEPT CAN,JPN
13	JW9-K8297-00	PLATE, CAUTION 1	1		UR FOR CAN,JPN
	JW9-K8297-10	PLATE, CAUTION 1	1		UR EXCEPT CAN,JPN



JW11100-E260

FIG. 11 BODY FITTING

REF. NO.	PART NO.	DESCRIPTION	JW95			REMARKS
1	JW1-K8270-00	LID ASSY	1			
2	JW1-K818A-00	PROTECTOR, SIDE PLATE	1			
3	JW1-F3396-01	SCREW, SPECIAL	4			
4	90269-06804	RIVET	12			
5	JW1-K818B-00	PROTECTOR, SIDE PLATE 2	1			
6	JW1-K8191-00	PANEL, REAR FENDER 1	1			
7	JW1-K8192-00	PANEL, REAR FENDER 2	1			



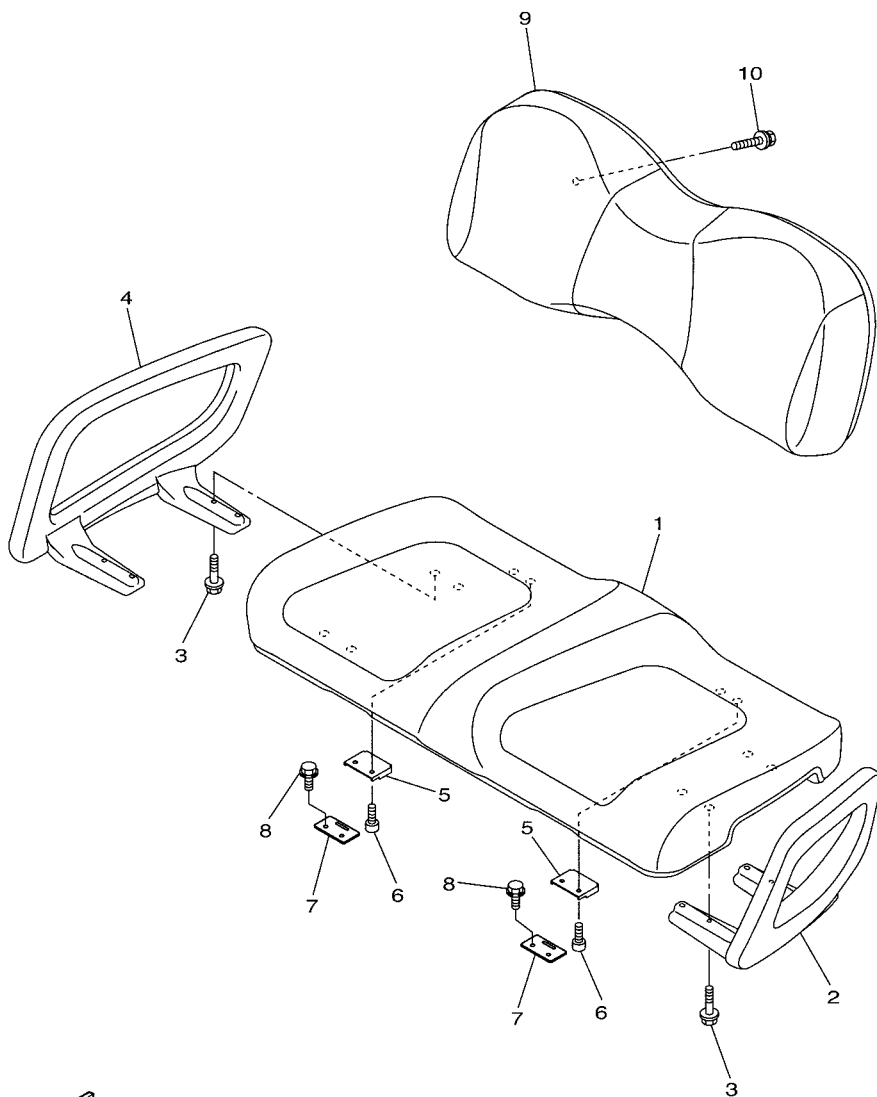
JW11100-E270

FIG. 12 CARRIER

REF. NO.	PART NO.	DESCRIPTION	JW95				REMARKS
1	JW1-K8423-10	SUPPORT, SEAT BACK	1				
2	90109-08002	BOLT	4				
3	JW1-K8340-00	LUGGAGE RACK ASSY., REAR	1				
4	90110-06102	BOLT, HEXAGON SOCKET HEAD	4				
5	90201-068G7	WASHER, PLATE	4				
6	JF2-K8356-00	PAD, BAG SUPPORT	1				
7	JN6-K8355-20	BAND	1				
8	JW1-K834G-00	HOLDER, RAKE SAND	1				
9	9708R-06020	BOLT	1				
10	90185-06836	NUT, SELF-LOCKING	1				
11	JN6-K8380-00	LOCK ASSY	2				
12	90159-06845	SCREW, WITH WASHER	4				
13	9299R-06200	WASHER	4				

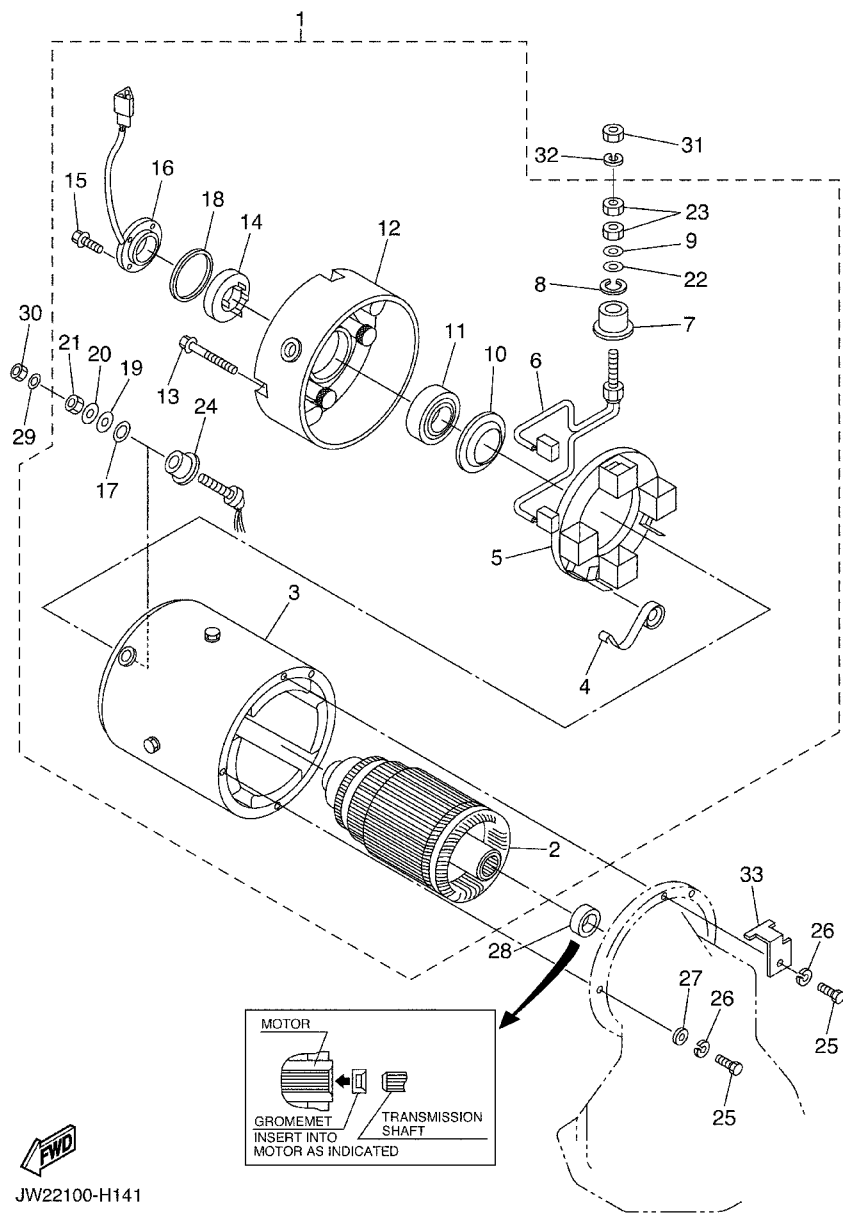
FIG. 13 SEAT

REF. NO.	PART NO.	DESCRIPTION	JW95				REMARKS
1	JW1-K8401-12	SEAT SUB-ASSY,CUSHION	1				
2	JW1-K8361-00	ARM REST 1	1				
3	90105-06129	BOLT, FLANGE	8				
4	JW1-K8362-00	ARM REST 2	1				
5	JW1-K8426-00	HINGE, SEAT 1	2				
6	90110-06125	BOLT, HEXAGON SOCKET HEAD	4				
7	JW1-K8427-00	HINGE, SEAT 2	2				
8	90163-06802	SCREW, TAPPING	4				
9	JW1-K8402-10	SEAT SUB ASSY, BACK	1				
10	90119-06808	BOLT, WITH WASHER	4				



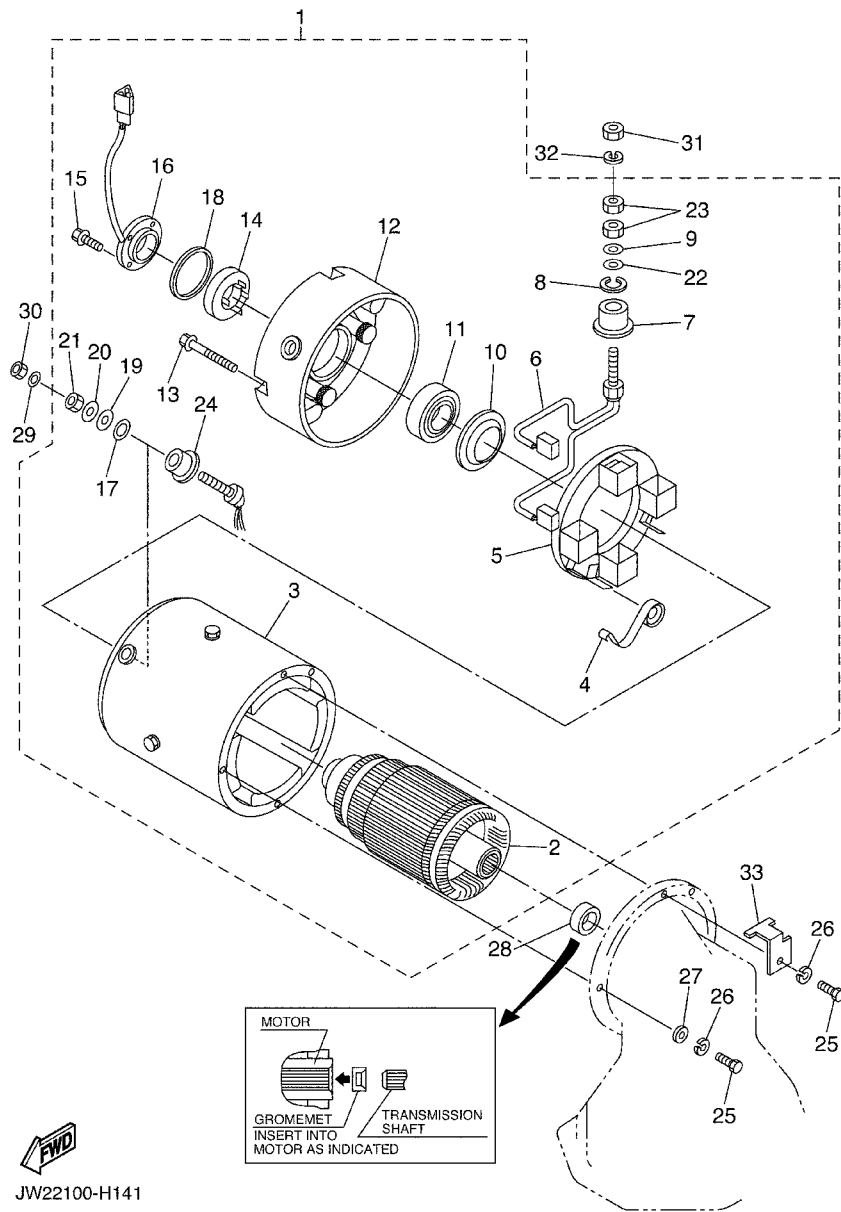
JC21110-M300

FIG. 14 ELECTRIC MOTOR



JW22100-H141

REF. NO.	PART NO.	DESCRIPTION	JW95				REMARKS
1	JU2-H1890-21	MOTOR ASSY	1				
2	JU2-H1850-20	.ARMATURE ASSY	1				
3	JU2-H1160-20	.FIELD COIL ASSY	1				
4	JU2-H1617-20	.SPRING, BRUSH	4				
5	JU2-H1840-20	.BRUSH HOLDER ASSY	1				
6	JU2-H1801-20	.BRUSH SET	2				
7	JU2-H182G-20	.BUSH, TERMINAL	2				
8	JU2-H1843-20	.WASHER 1	2				
9	JU2-H181L-20	.WASHER, PLAIN	2				
10	JU2-H1856-20	.RETAINER	1				
11	JU2-H185B-20	.BEARING 1	1				
12	JU2-H183J-20	.BRACKET, FRONT	1				
13	JU2-H1828-20	.SCREW 2	4				
14	JU2-H181K-20	.MAGNET	1				
15	JU2-H2113-20	.SCREW	4				
16	JU2-H1670-21	.PICK-UP ASSY	1				
17	JU2-H272L-20	.INSULATOR, 1	2				
18	JU2-H5722-20	.INSULATOR	1				
19	JU2-H2517-20	.WASHER, SPECIAL	2				
20	JU2-H332D-20	.WASHER, SPECIAL 2	2				
21	JU2-H191B-20	.NUT	4				
22	JU2-H1824-20	.WASHER 2	2				
23	JU2-H182K-20	.NUT	4				
24	JU2-H182H-20	.BUSH, TERMINAL 2	2				
25	90101-069U0	BOLT	3				
26	90215-06811	WASHER, LOCK	3				
27	90201-068E2	WASHER, PLATE	2				

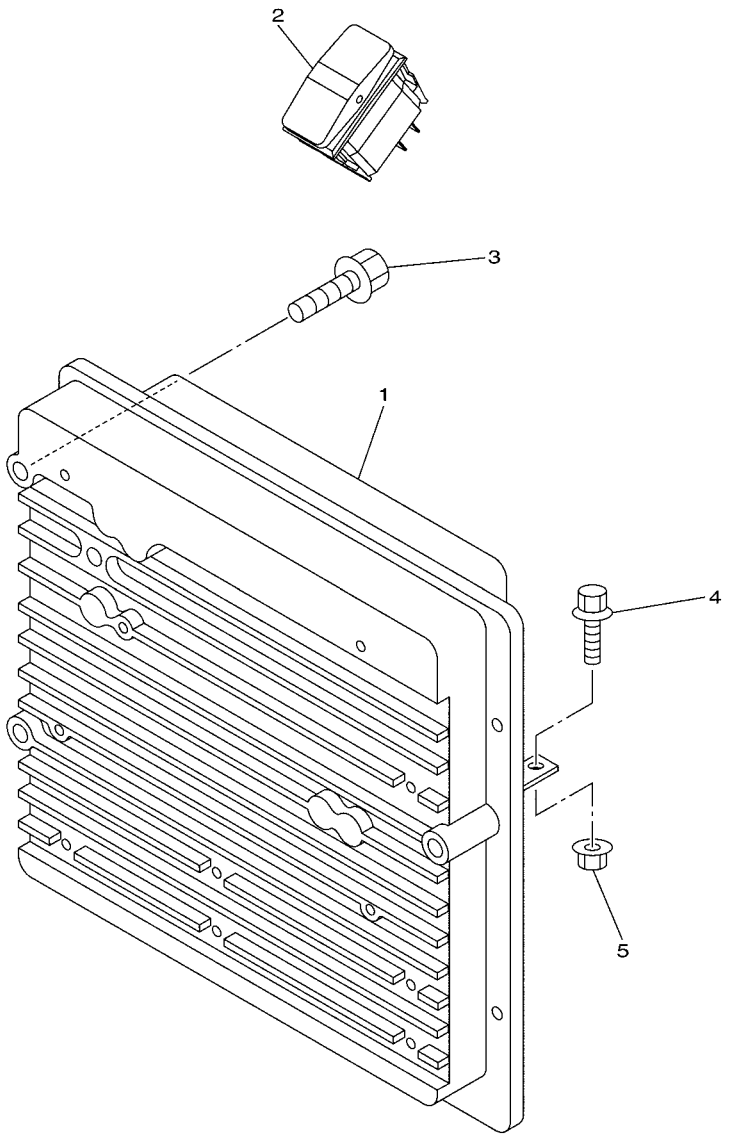


JW22100-H141

FIG. 14 ELECTRIC MOTOR

REF. NO.	PART NO.	DESCRIPTION	JW95			REMARKS
28	JH7-H1829-00	GROMMET	1			
29	JU2-H185A-20	WASHER, PLATE	2			
30	JU2-H182A-20	NUT	2			
31	JU2-H1872-20	NUT, SPECIAL	2			
32	JU2-H1835-20	WASHER	2			
33	JU2-H218E-01	RELIEF, STRAIN 1	1			

FIG. 15 CONTROLLER 1



 JW23110-J150

REF. NO.	PART NO.	DESCRIPTION	JW95				REMARKS
1	JW2-H6510-01	MOTOR CONTROL UNIT ASSY	1				
2	JW2-H2727-00	SWITCH	1				
3	JW9-H1674-00	BOLT	3				
4	95822-06016	BOLT, FLANGE	3				
5	95602-06200	NUT, SELF-LOCKING	3				

FIG. 16 ELECTRICAL 1

REF. NO.	PART NO.	DESCRIPTION	JW95				REMARKS
1	JW9-H2136-00	PLATE, BATTERY FITTING	3				
2	JW9-H1892-00	BOLT, SPECIAL	6				
3	90201-08310	WASHER, PLATE	6				
4	JW9-K811K-00	NUT, TRIM FITTING	6				
5	JW9-H2115-20	WIRE, PLUS LEAD	1				
6	JW9-H2127-00	WIRE, LEAD 2	3				
7	JW9-H2149-00	WIRE, LEAD 3	2				
8	JU2-H2917-00	SWITCH	1				
9	JU2-H2521-20	WIRE, LEAD	1				(F1)
10	JU2-H2531-20	WIRE, LEAD	1				(F2)
11	JU2-H6171-20	WIRE, LEAD 1	1				(A1)
12	JW9-H6172-00	WIRE, LEAD 2	1				(A2)
13	JU2-H7196-20	TUBE 1	1				
14	90464-25826	CLAMP	2				
15	JW9-H2590-40	WIRE HARNESS ASSY	1				UR FOR CAN
15	JW9-H2590-50	WIRE HARNESS ASSY	1				UR EXCEPT FOR CAN
16	JR1-H2151-00	.FUSE (3A)	1				
17	JW9-H1950-20	RELAY ASSY	1				
18	90179-08887	.NUT	2				
19	90179-05886	.NUT	2				
20	JW9-85371-00	RESISTOR COMP.	1				
21	90105-06831	BOLT, FLANGE	2				
22	JR1-H3383-02	BUZZER	1				
23	JN6-H3386-01	STAY, BUZZER	1				
24	JW9-H6181-00	RECEPTACLE	1				
25	JW1-F3394-00	BOLT, SPECIAL	3				
26	JF7-82817-22	SWITCH	1				

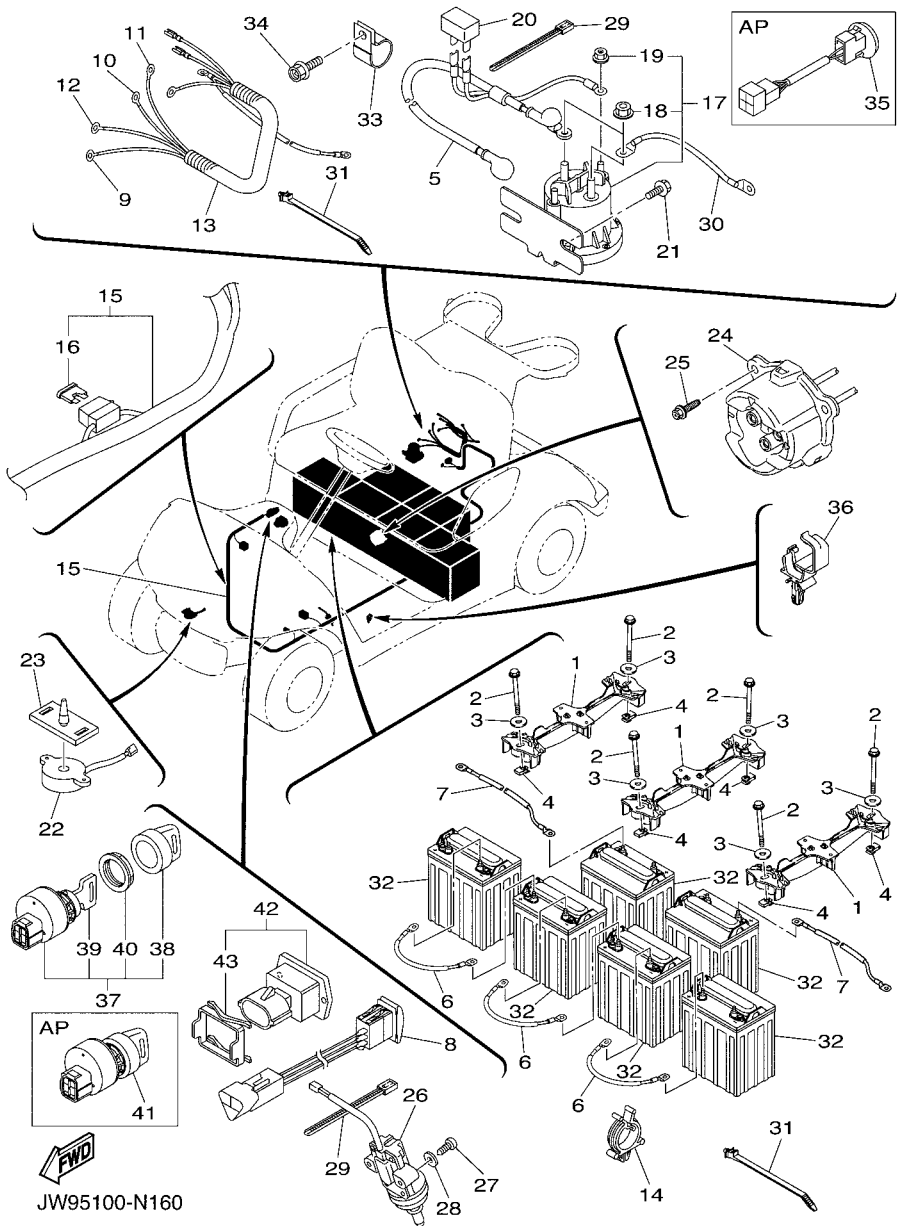


FIG. 16 ELECTRICAL 1

REF. NO.	PART NO.	DESCRIPTION	JW95				REMARKS
27	98502-05025	SCREW, PAN HEAD	2				
28	92902-05600	WASHER, PLATE	2				
29	90464-40825	CLAMP	4				
30	JW2-H6527-00	WIRE 7	1				
31	90464-20005	CLAMP	9				
32	*	BATTERY (8V BCI GROUP GC-8)	6				LM
33	90461-14108	CLAMP	1				
34	90105-08867	BOLT, FLANGE	1				
35	JU2-HA2F0-00	TRANSMITTER UNIT	1				AP
36	90464-20237	CLAMP	3				
37	JW1-H2510-00	MAIN SWITCH ASSY	1				STD
38	5UG-H2579-00	.CAP, KEY	1				
39	JU2-H2511-00	.KEY, MAIN SWITCH	2				
40	JU6-H2569-00	.NUT, MAIN SWITCH	1				
41	JU2-H2510-20	MAIN SWITCH ASSY	1				AP RANOMEKEY
42	JW2-H351B-00	GAUGE, BATTERY	1				EXCEPT FOR CAN
43	JW1-H1128-00	.CLAMP	1				EXCEPT FOR CAN

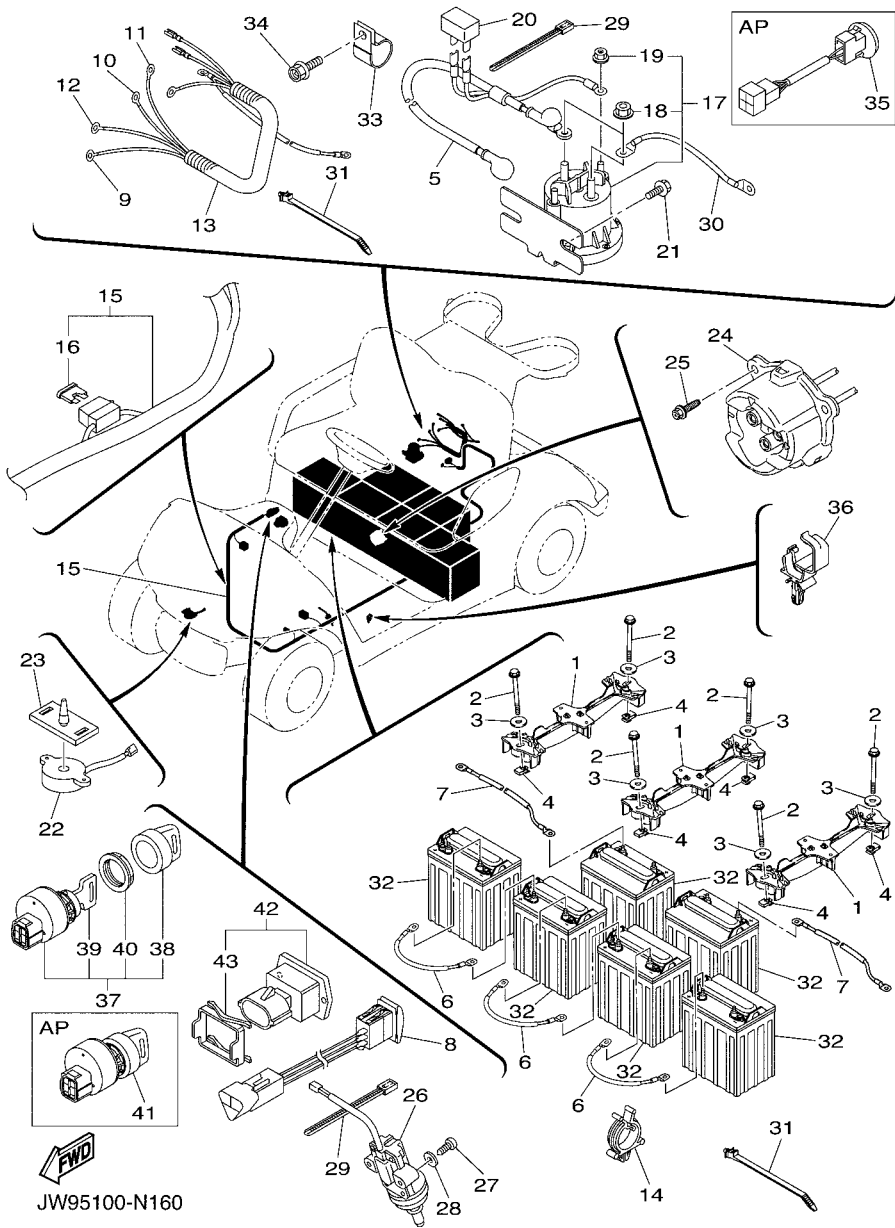
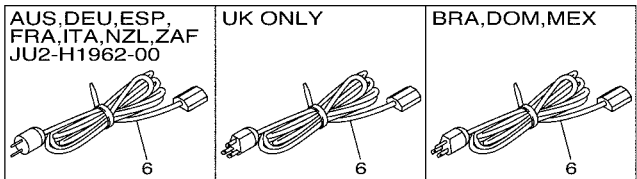
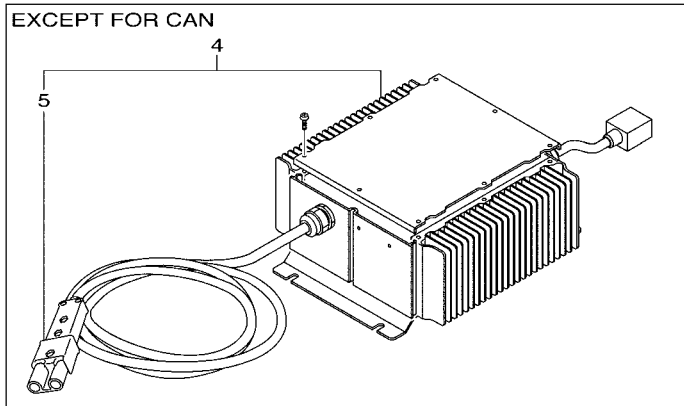
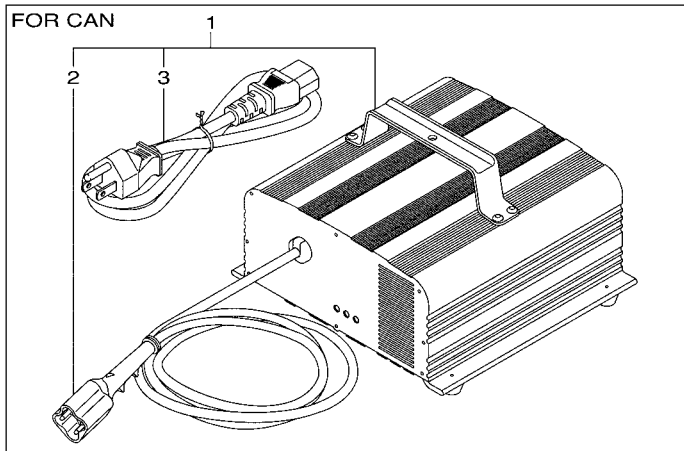


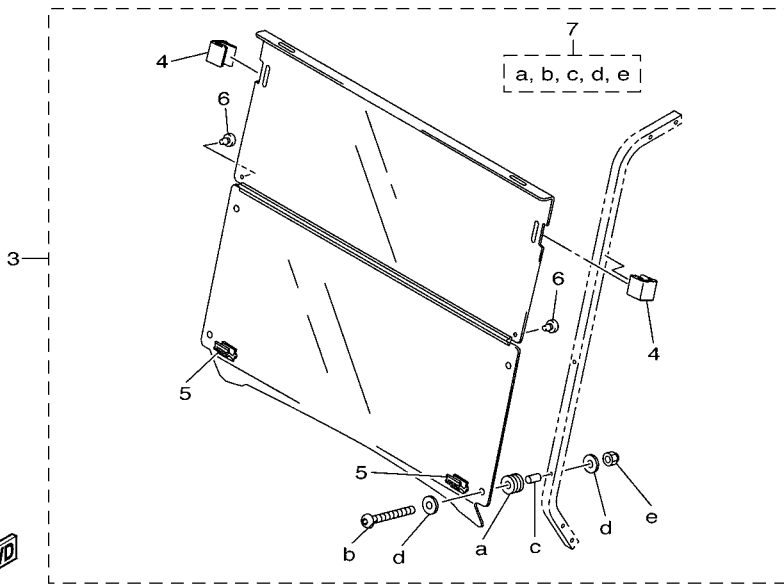
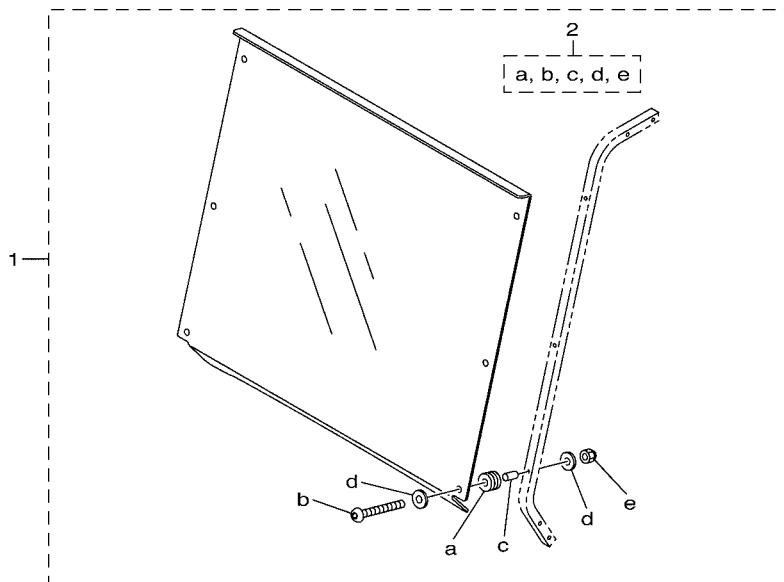
FIG. 17 BATTERY CHARGER



JW95100-N170

REF. NO.	PART NO.	DESCRIPTION	JW95			REMARKS
1	JW9-82107-01	CHARGER, BATTERY	1			FOR CAN
2	JW9-82174-00	.DC CORD ASSY	1			FOR CAN
3	JW9-81962-00	.AC CORD COMP.	1			FOR CAN
4	JW2-H2107-13	CHARGER, BATTERY	1			EXCEPT FOR CAN
5	JR1-H235A-00	.DC PLUG SET	1			EXCEPT FOR CAN
6	JU2-H1962-00	CORD COMP. (220V)	1			UR
	JU2-H1962-10	CORD COMP. (240V)	1			UR UK
	JU2-H1962-20	CORD COMP. (100V)	1			UR BRA,DOM,MEX
<hr/>						
<hr/>						
<hr/>						
<hr/>						
<hr/>						
<hr/>						

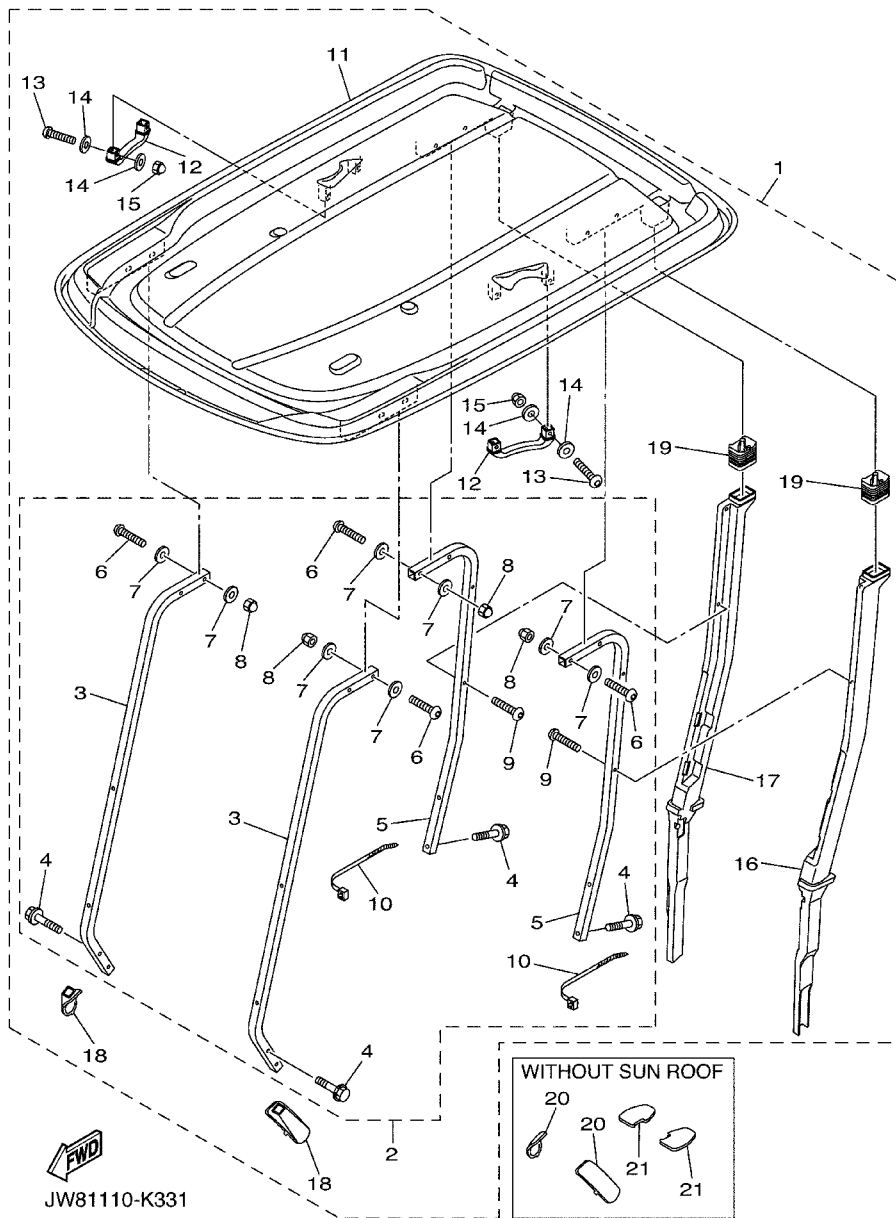
FIG. 18 ALTERNATE FOR WINDSHIELD



JC06110-N340

REF. NO.	PART NO.	DESCRIPTION	JW95			REMARKS
1	JW8-K7200-00	WINDSHIELD ASSY, SOLID(CLEAR)	1			UR AP
	JW8-K7200-10	WINDSHIELD ASSY, SOLID(SMOKE)	1			UR AP
2	GCA-JW121-00	.HARDWARE KIT	1			
3	JW8-K7200-20	WINDSHIELD ASSY, HINGED(CLEAR)	1			UR AP
	JW8-K7200-30	WINDSHIELD ASSY, HINGED(SMOKE)	1			UR AP
4	JW8-K7173-00	.LEVER, LATCH 1	2			
5	JW8-K7222-00	.BRACKET, WINDSHIELD(R.H)	2			
6	JW8-K8167-00	.BUMPER, RUBBER 1	2			
7	GCA-JW122-00	.HARDWARE KIT	1			

FIG. 19 ALTERNATE FOR SUN ROOF



REF. NO.	PART NO.	DESCRIPTION	JW95			REMARKS
1	JW1-K84A0-01	SUN TOP KIT	1			AP
2	JW1-K84A2-01	.HARDWARE KIT, SUN TOP	1			
3	JW1-K8312-00	..SUPPORT, SUN ROOF 1	2			
4	JW1-K8388-00	..BOLT, ROOF 1	8			
5	JW1-K8313-01	..SUPPORT, SUN ROOF 2	2			
6	JU0-K8388-00	..BOLT, ROOF 1	8			
7	JW1-F1549-01	..WASHER, FENDER MOLD	16			
8	JU0-K8398-00	..NUT, ROOF 1	8			
9	JW1-K7387-00	..SCREW	4			
10	90464-76800	..CLAMP	2			
11	JW1-K8314-10	.COVER, SUN ROOF	1			
12	JW1-K8214-00	.GRIP, HAND	2			
13	JU0-K8388-00	.BOLT, ROOF 1	4			
14	JW1-F1549-01	.WASHER, FENDER MOLD	8			
15	JU0-K8398-00	.NUT, ROOF 1	4			
16	JW1-F413G-00	.TUBE, DRAIN	1			
17	JW1-F413J-00	.TUBE, DRAIN 2	1			
18	JW1-K832F-10	.GROMMET, ROOF SUPPORT 1	2			
19	JW1-F414G-10	.SEAL	2			
20	JW1-K832H-00	GROMMET, ROOF SUPPORT 3	2			AP
21	JW1-K833H-00	GROMMET, ROOF SUPPORT 4	2			AP

NUMERICAL INDEX

PART NO.	REF. NO.	PART NO.	REF. NO.	PART NO.	REF. NO.	PART NO.	REF. NO.	PART NO.	REF. NO.	PART NO.	REF. NO.
401-22128-01	3 - 16	JW1-F3822-01	4 - 29	JW9-F7200-21	5 - 6	JW1-G6128-01	6 - 40	JW9-H1950-20	16 - 17	JW1-K7387-00	19 - 9
2NL-23448-00	3 - 9	JU0-F3828-10	4 - 4	JW8-F7213-20	5 - 38	JW2-G6134-00	6 - 33	JU2-H1962-00	17 - 6	JW1-K7510-01	8 - 1
2NL-23517-00	3 - 11	1P0-F3833-00	4 - 26	JW8-F7217-00	5 - 36	JW1-G6158-00	6 - 7	JU2-H1962-10	17 - 6	JW8-K7540-00	8 - 5
2HR-23526-00	3 - 3	JW1-F3837-00	4 - 22	JW8-F7218-00	5 - 14	JW2-G6159-00	6 - 4	JU2-H1962-20	17 - 6	JW8-K7762-00	4 - 38
JW8-23841-00	4 - 27	JN3-F3838-00	4 - 6	JW9-F7221-00	5 - 18	JW2-G6163-00	6 - 32	JW2-H2107-13	17 - 4	JW8-K7762-11	4 - 38
JW9-81962-00	17 - 3	5UG-F3844-00	4 - 19	JW9-F7228-00	5 - 27	JW2-G6164-00	6 - 11	JU2-H2113-20	14 - 15	JW8-K7762-21	4 - 38
JW9-82107-01	17 - 1	JW2-F384K-00	6 - 19	JW9-F7231-10	5 - 22	JW2-G6167-00	6 - 13	JW9-H2115-20	16 - 5	JW9-K7768-00	9 - 11
JW9-82174-00	17 - 2	JU0-F3857-11	4 - 3	JW9-F7232-00	5 - 23	JW1-G6168-00	6 - 2	JW9-H2127-00	16 - 6	JW9-K7768-11	9 - 11
JF7-82817-22	16 - 26		4 - 5	JW9-F7245-10	5 - 34	JW2-G6300-04	6 - 1	JW9-H2136-00	16 - 1	JW9-K7768-21	9 - 11
JW9-85371-00	16 - 20	JW1-F3866-00	4 - 24	JW9-F7246-20	5 - 50	JW2-G6320-01	6 - 12	JW9-H2149-00	16 - 7	JW2-K8114-01	9 - 7
JW1-F1549-01	19 - 7	JW1-F387A-00	4 - 11	JW9-F7263-00	5 - 53	JW1-G6336-00	6 - 29	JR1-H2151-00	16 - 16	JW2-K8114-11	9 - 7
	19 - 14	JW1-F387E-00	4 - 14	JW8-F7316-01	5 - 35	JW1-G633H-00	6 - 28	JU2-H218E-01	14 - 33	JW1-K8115-01	9 - 1
JW1-F1738-00	2 - 3	5UG-F387F-00	4 - 17	JW8-F7317-00	5 - 44	JW1-G633J-00	6 - 43	JR1-H235A-00	17 - 5	JW1-K8115-11	9 - 1
	2 - 7	5UG-F387G-00	4 - 15	JW9-F7318-00	5 - 24	JW1-G6345-00	6 - 31	JW1-H2510-00	16 - 37	JW1-K8115-21	9 - 1
	2 - 11	5UG-F387J-00	4 - 18	JW8-F7322-00	5 - 19	JW2-G6348-01	6 - 10	JU2-H2510-20	16 - 41	JW1-K8115-31	9 - 1
JW2-F2110-12	1 - 1	5UG-F387K-00	4 - 16	JW9-F7411-01	2 - 2	JW1-G6410-20	6 - 35	JU2-H2511-00	16 - 39	JW1-K8115-51	9 - 1
JN6-F2123-10	1 - 2	JW1-F3894-00	4 - 25	JW8-F7416-00	5 - 12	JW2-G6510-01	6 - 20	JU2-H2517-20	14 - 19	JW1-K8115-80	9 - 1
JN6-F2124-10	1 - 6	JW1-F413G-00	19 - 16	JW8-F7426-01	5 - 21	JW2-G6520-01	6 - 23	JU2-H2521-20	16 - 9	JW1-K8115-90	9 - 1
JW1-F2176-00	6 - 22	JW1-F413J-00	19 - 17	JW8-F7434-00	5 - 43	JW2-G6540-01	6 - 16	JU2-H2531-20	16 - 10	JW9-K811K-00	16 - 4
	6 - 25	JW1-F414G-10	19 - 19	JW8-F7435-00	5 - 60	JW2-G6544-00	6 - 18	JU6-H2569-00	16 - 40	JW1-K8142-00	10 - 1
JW1-F217G-10	1 - 10	JW1-F4161-10	9 - 5	JW8-F7438-00	5 - 42	JW2-G6550-01	6 - 17	5UG-H2579-00	16 - 38	JW1-K8142-10	10 - 1
JW9-F2198-01	2 - 6	JW8-F41B8-00	5 - 55	JW9-F7445-20	5 - 37	JW1-H1128-00	16 - 43	JW9-H2590-40	16 - 15	JW1-K8142-20	10 - 1
JW2-F2210-10	1 - 12	JW8-F4486-00	5 - 48	JW8-F7814-20	5 - 7	JU2-H1160-20	14 - 3	JW9-H2590-50	16 - 15	JW1-K8142-30	10 - 1
JW1-F2277-00	1 - 11		5 - 52	JW8-F7814-21	5 - 47	JU2-H1617-20	14 - 4	JW2-H2727-00	15 - 2	JW1-K8142-50	10 - 1
JW9-F2417-00	2 - 12	JW9-F4648-20	5 - 54	JW8-F7825-01	5 - 31	JU2-H1670-21	14 - 16	JU2-H272L-20	14 - 17	JW1-K8142-80	10 - 1
JW8-F2501-01	2 - 1	JW1-F467K-00	4 - 23	JW9-F7850-21	5 - 5	JW9-H1674-00	15 - 3	JU2-H2917-00	16 - 8	JW1-K8142-90	10 - 1
JW9-F252M-00	2 - 4	JW1-F4684-00	6 - 3	JW9-F7853-00	5 - 39	JU2-H1801-20	14 - 6	JU2-H332D-20	14 - 20	JW1-K8151-00	10 - 10
JW9-F2535-00	2 - 10	JW1-F5100-01	7 - 1	JW9-F7871-10	5 - 40	JU2-H181K-20	14 - 14	JR1-H3383-02	16 - 22	JW1-K8164-00	8 - 2
JW1-F258G-02	2 - 8	JN6-F5118-01	3 - 29	JW9-F7872-20	5 - 41	JU2-H181L-20	14 - 9	JN6-H3386-01	16 - 23	JW8-K8167-00	18 - 6
JW1-F2873-10	10 - 4		6 - 38	JW8-F815H-01	5 - 46	JU2-H1824-20	14 - 22	JW2-H351B-00	16 - 42	JW1-K818A-00	11 - 2
JW1-F2874-10	10 - 5	JW1-F53T0-09	6 - 39	JW8-F8319-00	5 - 33	JU2-H1828-20	14 - 13	JU2-H5722-20	14 - 18	JW1-K818B-00	11 - 5
JW7-F312H-00	5 - 4	JW8-F5415-00	5 - 29	JW8-F8323-00	5 - 28	JH7-H1829-00	14 - 28	JW9-H5885-00	5 - 56	JW1-K8191-00	11 - 6
JW1-F3183-00	4 - 12	JW9-F5666-00	5 - 16	JW8-F8331-00	5 - 51	JU2-H182A-20	14 - 30	JU2-H6171-20	16 - 11	JW1-K8192-00	11 - 7
JW8-F3183-00	5 - 20	JW9-F5671-00	5 - 9	JW8-F8363-00	5 - 11	JU2-H182G-20	14 - 7	JW9-H6172-00	16 - 12	JW1-K8214-00	19 - 12
JW2-F3350-00	3 - 14	JW9-F5672-00	5 - 8	JW1-G2376-00	6 - 42	JU2-H182H-20	14 - 24	JW9-H6181-00	16 - 24	JW1-K8233-30	9 - 15
JW2-F3390-00	3 - 19	JW9-F5673-00	5 - 49	JW2-G4116-00	6 - 14	JU2-H182K-20	14 - 23	JW2-H6510-01	15 - 1	JW1-K8237-10	10 - 7
JW1-F3394-00	16 - 25	JW9-F5827-00	5 - 57	JW1-G4135-00	6 - 15	JU2-H1835-20	14 - 32	JW2-H6527-00	16 - 30	JW1-K8245-00	9 - 18
JW1-F3396-01	9 - 3	JW9-F5827-10	5 - 57	JW1-G4156-00	6 - 21	JU2-H183J-20	14 - 12	JU2-H7196-20	16 - 13	JW1-K8261-00	9 - 20
	11 - 3	JW8-F6314-00	5 - 25		6 - 24	JU2-H1840-20	14 - 5	JU2-HA2F0-00	16 - 35	JW1-K8262-00	9 - 23
JW1-F3400-00	4 - 10	JW9-F632G-00	5 - 58	JW2-G4165-00	6 - 8	JU2-H1843-20	14 - 8	GCA-JW121-00	18 - 2	JW1-K8270-00	11 - 1
5UG-F3489-00	4 - 20	JW2-F6341-31	5 - 1	JW1-G4189-00	6 - 6	JU2-H1850-20	14 - 2	GCA-JW122-00	18 - 7	JW1-K8273-00	9 - 17
JU0-F3511-10	3 - 4	JW8-F639L-00	5 - 26	JW1-G4526-00	6 - 30	JU2-H1856-20	14 - 10	JW1-K6179-01	10 - 9	JW9-K827A-00	10 - 6
JW1-F3512-00	3 - 5	JW8-F639N-00	5 - 13	JW1-G4582-00	6 - 5	JU2-H185A-20	14 - 29	JW8-K7173-00	18 - 4	JW9-K8297-00	10 - 13
JU0-F3521-10	3 - 12	JW8-F7113-00	5 - 15	JW1-G4583-10	6 - 41	JU2-H185B-20	14 - 11	JW8-K7200-00	18 - 1	JW9-K8297-10	10 - 13
5UG-F3527-00	4 - 21	JW8-F7117-00	5 - 10	JW1-G5148-00	6 - 34	JU2-H1872-20	14 - 31	JW8-K7200-10	18 - 1	JW9-K8298-10	10 - 12
JU0-F3570-20	3 - 1	JW8-F7118-00	5 - 45	JW2-G6110-00	6 - 26	JU2-H1890-21	14 - 1	JW8-K7200-20	18 - 3	JW9-K8298-20	10 - 12
JW1-F3811-02	4 - 1	JW8-F7119-00	5 - 32	JW2-G6114-00	6 - 27	JW9-H1892-00	16 - 2	JW8-K7200-30	18 - 3	JW1-K8312-00	19 - 3
JW1-F3812-00	4 - 13	JW8-F7121-00	5 - 17	JW2-G6117-00	6 - 9	JU2-H191B-20	14 - 21	JW8-K7222-00	18 - 5	JW1-K8313-01	19 - 5

NUMERICAL INDEX

PART NO.	REF. NO.	PART NO.	REF. NO.	PART NO.	REF. NO.	PART NO.	REF. NO.	PART NO.	REF. NO.	PART NO.	REF. NO.
JW1-K8314-10	19 - 11	90119-06244	9 - 21	91702-10028	5 - 2						
JW1-K832F-10	19 - 18	90119-06808	13 - 10	92902-05600	16 - 28						
JW1-K832H-00	19 - 20	90119-10044	1 - 5	92902-08600	4 - 31						
JW1-K833H-00	19 - 21	90159-06845	12 - 12	92902-12200	4 - 8						
JW1-K8340-00	12 - 3	90163-06802	13 - 8	9299R-06200	12 - 13						
JW1-K834G-00	12 - 8	90173-06010	9 - 22	93102-30083	3 - 26						
JN6-K8355-20	12 - 7	90179-05886	16 - 19	93306-005Y3	3 - 24						
JF2-K8356-00	12 - 6	90179-08887	16 - 18	93306-204X0	3 - 23						
JW8-K8357-00	4 - 32	90179-12262	7 - 2	95602-06200	15 - 5						
JN6-K8358-01	4 - 33	90179-13800	1 - 4	95602-10200	1 - 14						
JW8-K835E-00	9 - 12	90183-05008	9 - 9		3 - 7						
JW1-K8361-00	13 - 2		9 - 14		8 - 6						
JW1-K8362-00	13 - 4	90183-06071	9 - 6	95602-12200	1 - 8						
JN6-K8380-00	12 - 11	90185-06836	12 - 10		4 - 9						
JU0-K8388-00	19 - 6	90185-12008	4 - 7	95602-14100	3 - 28						
	19 - 13	90201-04810	4 - 35	95612-12100	3 - 18						
JW1-K8388-00	19 - 4	90201-05824	5 - 59	95812-08020	4 - 2						
JU0-K8398-00	19 - 8	90201-068E2	14 - 27		5 - 61						
	19 - 15	90201-068G7	12 - 5	95812-10055	1 - 13						
JW1-K8401-12	13 - 1	90201-08310	16 - 3	95812-12065	1 - 7						
JW1-K8402-10	13 - 9	90201-128S4	1 - 9	95812-12080	3 - 17						
JW1-K8423-10	12 - 1	90208-14801	3 - 27	95822-06012	8 - 4						
JW1-K8426-00	13 - 5	90215-06811	14 - 26	95822-06016	15 - 4						
JW1-K8427-00	13 - 7	90269-06800	9 - 2	97012-08030	4 - 30						
JW1-K8482-00	19 - 22	90269-06804	9 - 19	9708R-06020	12 - 9						
JW1-K84A0-01	19 - 1		10 - 2	97702-40525	4 - 34						
JW1-K84A2-01	19 - 2		11 - 4	98502-05025	16 - 27						
JG5-WF511-10	3 - 21	90269-07001	9 - 10								
90101-069U0	14 - 25	90269-08813	10 - 3								
90105-06129	13 - 3		10 - 8								
90105-06831	2 - 5		10 - 11								
	2 - 9	90269-09003	9 - 16								
	16 - 21	90381-17067	3 - 10								
90105-06870	9 - 4	90381-18001	3 - 2								
90105-08867	16 - 34	90386-12800	5 - 30								
90105-088B0	8 - 3	90387-046N7	4 - 37								
90105-10219	3 - 8	90387-12016	3 - 15								
90105-10267	3 - 13	90387-241M7	3 - 25								
	3 - 20	90445-11032	6 - 36								
90105-10373	3 - 6	90461-14108	16 - 33								
90105-10847	4 - 28	90464-20005	16 - 31								
90105-13800	1 - 3	90464-20237	16 - 36								
90109-08002	12 - 2	90464-25826	16 - 14								
90110-06102	12 - 4	90464-40825	16 - 29								
90110-06125	13 - 6	90464-76800	19 - 10								
90111-05805	9 - 8	90467-10008	6 - 37								
	9 - 13	90468-20196	5 - 3								
90114-12806	3 - 22	90502-10013	4 - 36								