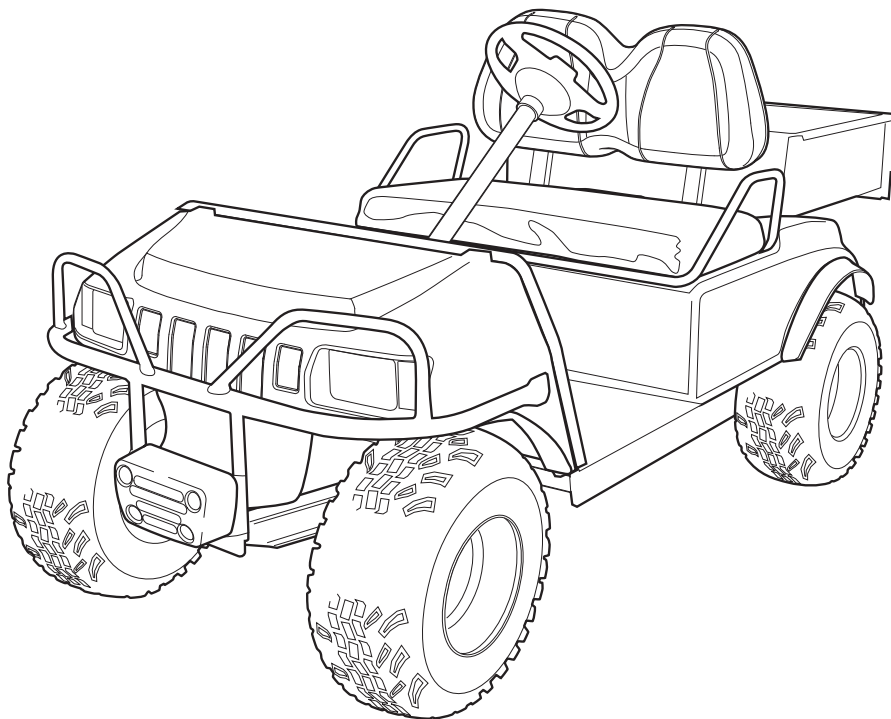




**2018
XRT 850
Illustrated Parts List**



Gasoline and Electric Vehicles

Manual Number 105344112
Edition Code B

USING THE ILLUSTRATED PARTS LIST

⚠ WARNING

- **This manual is to be used only for identification and ordering of service parts. Be sure to read and use the maintenance and service manual before attempting any vehicle repairs.**

The manual is divided into sections. Note that there are two or three flags on the outside edge of each page. The first flag contains the section number of which that page is a part. The other flag (or flags) contains the letter G or E, signifying that the page pertains to the electric or gasoline vehicles only.

Use the Table of Contents to find the sections and pages that contain the parts and assemblies you seek. The Table of Contents lists section numbers, and under them, the individual page titles and numbers to be found in that section. The index can be used to find specific parts and assemblies. The index is divided into numerical and alphabetical listings with the page numbers in italic text.

There is a two-page spread for each individual page title in the Table of Contents. On the left-hand page is an illustration showing the parts in their relative positions; the parts are each tagged with an item number in a balloon. The right-hand page is the parts list page, and gives the page title at the top, then the item numbers (corresponding to the numbers on the illustration), part descriptions, and quantity of parts used.

Note that a part description may be indented. This indentation corresponds to a parts assembly level indicated by the numbers 1, 2, 3, and 4 at the top left corner of the parts description area of the parts list page. A part that is indented to *level 2* is a component of the *level 1* part (assembly) that it is listed under. A *level 3* part is a component of the *level 2* part that it is listed under, and a *level 4* part is a component of the *level 3* part preceding it. In each case, the part quantity given for a level 2, 3, or 4 part is *the quantity used per next higher level assembly of which it is a component*. A part that is not indented is a *level 1* part. This means that the quantity given is the quantity used per the portion of the vehicle illustrated on that particular spread.



**P. O. Box 204658
Augusta, Georgia 30917-4658 USA
Telephone 706-863-3000
Service Parts Fax 706-855-7413
www.clubcar.com**

HOW TO ORDER PARTS

Replacement parts and accessories can be obtained from our network of authorized dealers and distributors. You can obtain the name and phone number of your closest authorized Club Car dealer or distributor by visiting our web site at www.clubcardealer.com, by calling our toll-free Service Parts and Technical Assistance hotline at (800) 872-2246 or (706) 863-3000, extension 3887, or by scanning this Quick Response (QR) code to be taken to the Club Car dealer locator. **Refer to Figure 1.** Download a QR code reader such as RedLaser or Barcode Scanner to your cell phone or tablet.



Figure 1 Dealer Locator QR Code

CUSTOMER SATISFACTION SURVEY

Let your voice be heard!

Please take time to participate in the Technical Publications satisfaction survey. Obtaining feedback from our customers is important to the department's continuous improvement process. The online survey takes less than five minutes and responses will help the department to examine current performance as well as identify areas for future improvement.

Our top priority is to provide timely, accurate, and user friendly manuals.

The online satisfaction survey can be found at: <http://bit.ly/1w9uFMh>



Figure 2 Survey QR Code

NOTE: *This illustrated parts list represents the most current information at the time of publication. Club Car, Inc. is continually working to further improve its vehicles and other products. These improvements may affect the parts used to service the vehicle. Any modification and/or significant change in specifications will be forwarded to all Club Car and Carryall distributors/dealers and will, when applicable, appear in future editions of this illustrated parts list.*

Club Car, Inc. reserves the right to change specifications and designs at any time without notice and without the obligation of making changes to units previously sold.

Copyright © 2018 Club Car, LLC
Club Car and ArmorFlex
are registered trademarks of Club Car, LLC
This manual effective July 1, 2018.

CONTENTS

SECTION 1 – BODY AND TRIM

Brushguard and Bumper	1-3
Heavy-Duty Front Bumper with Receiver	1-5
Front Body	1-7
Cargo Rack and Bungee Net Kit	1-9
Dash Trim	1-11
Dash Pockets	1-13
Floormat	1-15
Gun Rack, Floor-Mount	1-17
Beverage Holder	1-19
Windshield, Non-Hinged	1-21
Windshield, Hinged	1-23
Windshield Frame Kit	1-25
Seats	1-27
Nerf Bar	1-29
Rear, Fold Down Seat	1-31
Canopy (White) for Vehicles Equipped with Bed	1-33
Canopy (Black) for Vehicles Equipped with Bed	1-35
80 inch Canopy Kits, Vehicles with Fold Down Rear Seat	1-37
Enclosure, 3-Sided – for Vehicle with Cargo Bed	1-39
Trailer Hitch	1-41
Inner Fender	1-43
Rear Body – Electric Vehicles	1-45
Rear Body – Gasoline Vehicles	1-47
Rear Fender Trim	1-49
Bed Box	1-51
Rear-Facing, Seat Frame and Footdeck	1-53
Rear-Facing Seat	1-55
Receiver-Hitch	1-57

SECTION 2 – WHEELS AND TIRES

Wheels and Tires, Off-Road – Carryall 550 and XRT850	2-3
--	-----

SECTION 3 – DECALS

Safety Decals – Electric Vehicles	3-3
Safety Decals – Gasoline Vehicles	3-5
Badging Decals	3-7

CONTENTS

SECTION 4 – LIGHTS, CONTROLS, AND INDICATORS

Headlights	4-3
Lighting System Components – XRT800/810/850 Gasoline Vehicles	4-5
Lighting System Components – XRT800/810/850 Elec. With PowerDrive Charger	4-7
Turn Signal Kit – DS and Utility Gasoline and Electric Vehicles	4-9
Turn Signal (with Horn Button) Kit – DS and Utility Gas and Electric Vehicles	4-11
Instrument Panel – XRT850 Gas	4-13
Battery Condition Indicator – Electric Vehicles	4-15
Instrument Panel – CA6/Vill 6 & 8/Tporter/XRT850 Elec. With Lester Charger	4-17
DC Converter (Isolated) – IQ System Electric Vehicle	4-19
Voltage Limiter – Gasoline Vehicle	4-21
Horn	4-23
Horn with Column-Mounted Button	4-25
Hour Meter – IQ System and IQ Plus Electric Vehicles	4-27
Tail Lights	4-29

SECTION 5 – BRAKES, PEDALS, AND CABLE ASSEMBLIES

Brake Pedal Assembly – Vehicles with 2-Wheel Brakes and 4-Wheel Brakes	5-3
Accelerator Pedal Assembly – Electric Vehicles	5-5
Accelerator Pedal and Rod Assembly – Gasoline Vehicle	5-7
Pedal Close-Out Kit	5-9
Brake Cables and Equalizer	5-11
Rear Brakes, Self-Adjusting – Electric Vehicle	5-13
Rear Brakes, Self-Adjusting – Gasoline Vehicle	5-15

SECTION 6 – STEERING AND SUSPENSION WITH MAINTENANCE-FREE BALL JOINTS

Front Frame Plate Hardware – Turf/CA 252 and XRT 850/900	6-3
Steering Gear Assembly (Wanda) – Maint.-Free Ball Joint	6-5
Steering Column – Utility	6-7
Intermediate Steering Shaft – Turf/CA 252 and XRT 850/900	6-9
Tie Rod with Maintenance-Free Ball Joints	6-11
Steering Wheel – XRT850	6-13
Front Spindles and Hubs – CA232 and XRT800/810/850 with Maintenance-Free Ball Joints	6-15
Front Suspension – Shock Absorbers	6-17
Front Suspension, Upper Control Arms & Kingpins	6-19
Front Suspension, Spring and Mounting Plates – XRT850	6-21
Rear Suspension – Shock Absorbers	6-23
Rear Suspension, Springs and Hardware	6-25

CONTENTS

Stabilizer Bar – XRT 850	6-27
--------------------------------	------

SECTION 7 – ELECTRICAL SYSTEM – EFI GASOLINE VEHICLES

Wiring, Fuses, and Diodes, Pedal-Start – EFI – XRT850	7-3
Starter/Generator (Model 114-04-4006), Key-Start – EFI	7-5
Starter/Generator (Model 114-05-4001) , Pedal-Start – EFI	7-7
Starter/Generator Mounting – EX40	7-9
Electrical Component Box, Key-Start – EX40	7-11
Electrical Component Box, Pedal-Start – EX40	7-13
Forward/Reverse Shifter Switches, Key-Start – EFI, CA100, 800, 242	7-15
Forward/Reverse Shifter Switches, Pedal-Start – EFI, CA100, 800, 242	7-17
Charging Diode, Key-Start – EFI	7-19
Forward/Reverse Shifter Switches, Key-Start – EFI, Villager 6, 8, 850, 850SE	7-21
Forward/Reverse Shifter Switches, Pedal-Start – EFI, Villager 6, 8, 850, 850SE	7-23
Battery – Gasoline Utility Vehicles	7-25

SECTION 8 – ENGINE (SUBARU EX40)

Tune-Up Parts – Subaru EX40	8-3
Engine and Engine Mounting, Utility	8-5
Automatic Compression Release (ACR) Service Kit – Subaru EX40	8-7
Fan and Shroud – EX40	8-9
Air Deflector – EX40	8-11
Ignition Components and Flywheel – EX40	8-13
Sensors – EX40	8-15
Cylinder Head – EX40	8-17
Valvetrain and Timing Chain – EX40	8-19
Crankcase – EX40	8-21
Crankshaft and Piston – EX40	8-23

SECTION 9 – ENGINE (SUBARU EX40)

Tune-Up Parts – Subaru EX40	9-3
Engine and Engine Mounting, Utility – EX40	9-5
Fan and Shroud – EX40	9-7
Air Deflector – EX40	9-9
Ignition Components and Flywheel – EX40	9-11
Sensors – EX40	9-13
Cylinder Head – EX40	9-15
Valvetrain and Timing Chain – EX40	9-17
Crankcase – EX40	9-19

CONTENTS

Crankshaft and Piston – EX40	9-21
------------------------------------	------

SECTION 10 – FUEL, INTAKE, AND GOVERNOR SYSTEMS- EFI GASOLINE VEHICLES

Fuel System with Sending Unit, Top Fill – EFI	10-3
Fuel Tank Kits – EFI	10-5
Carbon Canister – EFI	10-7
Throttle Body and ECU – EFI	10-9
Throttle Body Mounting – EFI	10-11
Governor and Accelerator Cables – EFI	10-13
Air Filter System and Intake Hose – EFI	10-15

SECTION 11 – EXHAUST SYSTEM, UTILITY – EX40 ENGINE

Exhaust System – Utility	11-3
--------------------------------	------

SECTION 12 – DRIVE BELT AND CLUTCHES – - EFI GASOLINE VEHICLES

Drive Belt – Key-Start Vehicles with EFI	12-3
Drive Belt – Pedal-Start Vehicles with EFI	12-5
Drive Clutch – Key-Start Vehicles	12-7
Drive Clutch – Pedal-Start Vehicles	12-9
Driven Clutch (Standard Speed) – Key Start and Pedal Start	12-11

SECTION 13 – TRANSAXLE (FUJI ED65)- EFI GAS VEHICLES

Forward/Reverse Shifter – EFI, CA100-CE, XRT800	13-3
Forward/Reverse Shifter – EFI Villager 6, 8, 850, 850SE	13-5
Shifter Cable – XRT 850	13-7
Shifter Cable – CA100, XRT800	13-9
Shifter Cable – Villager 6, XRT850SE	13-11
Shifter Cable – Villager 8	13-13
Shift Lever and Bracket – Pedal-Start Engines	13-15
Shift Lever and Bracket – Key-Start Engines	13-17
Governor Arm and Brackets – Utility Vehicles	13-19
Transaxle (ED65), Limited Slip – Page 1 of 3	13-21
Transaxle (ED65), Open – Page 1 of 3	13-23
Transaxle (ED65), Limited Slip and Open – Page 2 of 3	13-25
Transaxle (ED65), Limited Slip – Page 3 of 3	13-27
Transaxle (ED65), Open – Page 3 of 3	13-29
Hub, Rear	13-31

CONTENTS

SECTION 14 – ELECTRICAL SYSTEM – ELECTRIC VEHICLES WITH ERIC-CHARGER

Motor Controller Output Regulator (MCOR)	14-3
Electric Components	14-5
Wiring Soft-Body electric withERIC	14-7
Tow/Run Switch – IQ System	14-9
Battery Charger Receptacle- ERIC Charger	14-11
Batteries, 8-Volt, Crown	14-13
Batteries, 8-Volt, U.S. Battery	14-15
Batteries, 8-Volt, JCI	14-17
Single Point Watering System, 8V Crown & JCI	14-19
Hand Pump and Deionizer (Battery-Powered Quality Light)	14-21

SECTION 15 – ELECTRIC MOTOR

Motor (Model EJ8-4001A) – Electric Vehicle	15-3
--	------

SECTION 16 – TRANSAXLE – ELECTRIC VEHICLES

Transaxle – Electric Vehicles	16-3
Differential Guard – Electric Vehicles	16-5

SECTION 17 – BATTERY CHARGER – DELTAQ HIGH-FREQUENCY

High-Frequency Battery Charger – Onboard	17-3
Cord Reels, Onboard – High-Frequency Charger	17-5
Charger Mounting – Onboard High-Freq.	17-7

SECTION 18 – BATTERY CHARGERS – E.R.I.C.HIGH-FREQUENCY

Battery Charger, High-Frequency – U.S./Canada	18-3
Battery Charger, High-Freq., 2.74 m DC Cord – Global	18-5
Battery Charger, High-Freq., 3.66 m DC Cord – Global	18-7
Battery Charger, High-Freq., 6.1 m DC Cord – Global	18-9
Cords – Battery Charger, High-Frequency	18-11

SECTION i – INDEX

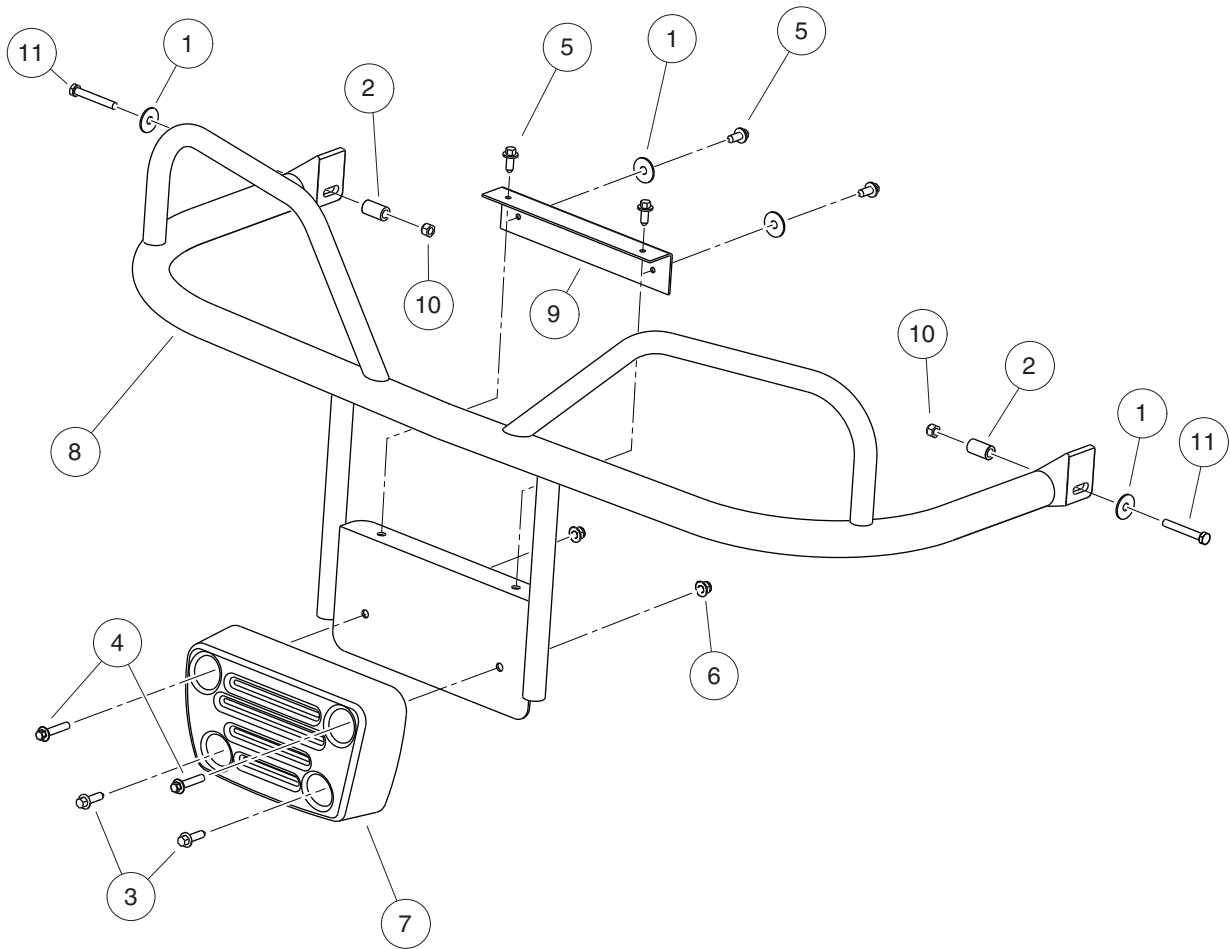
BODY AND TRIM

1

G

E

1
G
E



000838-002

BRUSHGUARD AND BUMPER

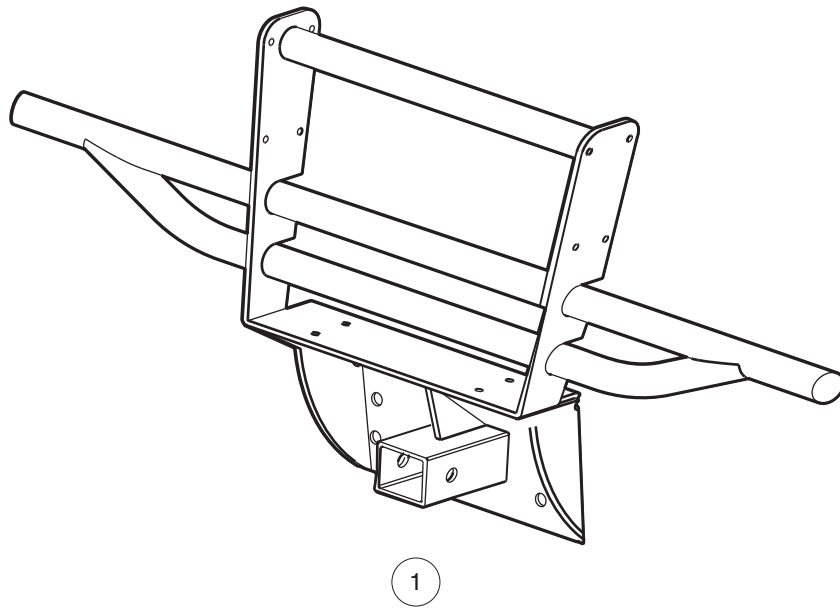
ITEM	PART NO.	DESCRIPTION	QTY
		1 2 3 4	
1	1011578	Washer, 5/16 Type B Flat	4
2	1015608	Tube Spacer, Hydraulic Cylinder	2
3	102289002	Screw, M8 X 1.25 X 30 Tri, Blk	2
4	102298240	Bolt, Flange Head, M8-1.25 X 40	2
5	102298720	Screw, M8-1.25x20, Taptite	4
6	102618601	Lock Nut, Flange, M8 X 1.25 Nylon	2
7	102830501	Bumper, Cast	1
8	103411501	Guard, Brush, Front, W Weight	1
9	103413101	Angle, Cowl Retention	1
10	7473	Locknut, 5/16-18 Nylon Insert	2
11	8935	Screw, 5/16-18 X 2.25 Hex-Head Cap	2

1
G
E

1

G

E



001311-001

HEAVY-DUTY FRONT BUMPER WITH RECEIVER

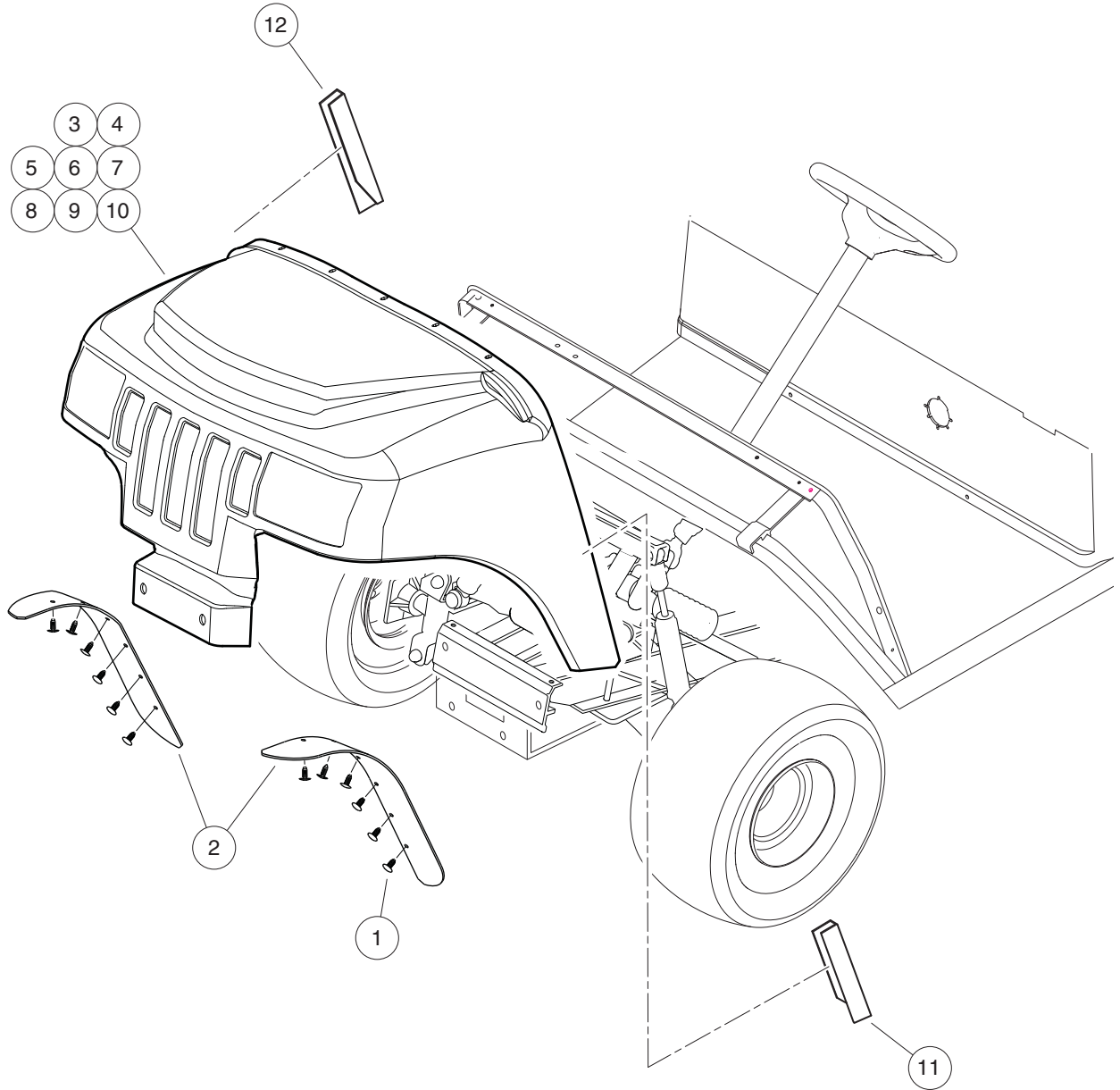
ITEM	PART NO.	DESCRIPTION	QTY
1	AM1225001	<div style="display: flex; justify-content: space-between; margin-bottom: 5px;"> 1 2 3 4 </div> Kit, Hd Frt Bmpr W/2" Rec, 800	1

1

G

E

1
G
E



001302-001

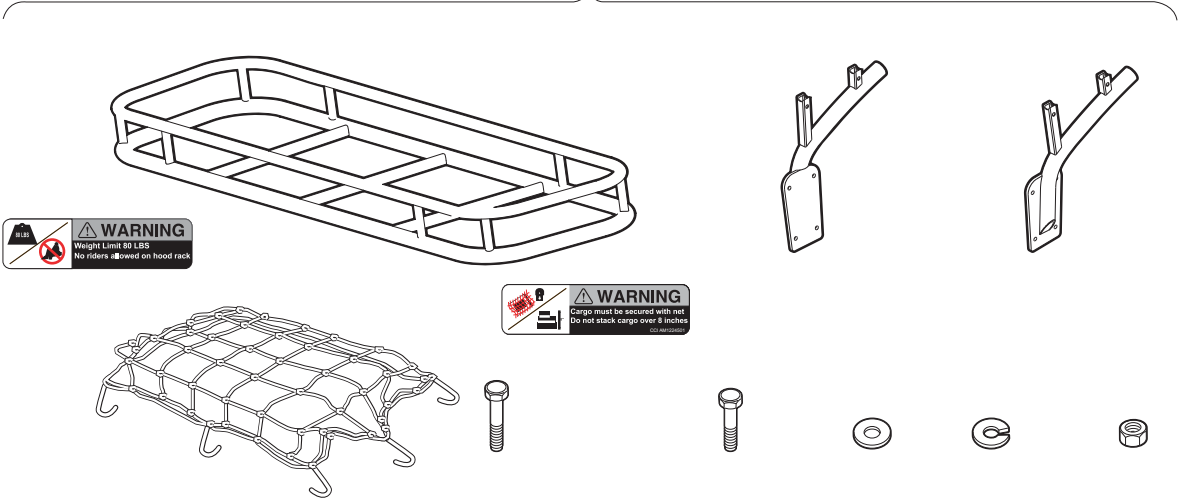
FRONT BODY

ITEM	PART NO.	DESCRIPTION	QTY
		1 2 3 4	
1	1010434	Barrel - Plastic	12
2	102004401	Fender Extrusion	2
3	102778501	Cowl, Red	1
4	102778502	Cowl, Green	1
5	102778503	Cowl, Camouflage (Husqvarna)	1
6	102778504	Cowl, Classic Blue	1
7	102778505	Cowl, XRT- Black	1
8	102778507	Cowl, XRT- Camo Hard Wood HD (Standard camo for XRT850)	1
9	N/A	Cowl, XRT- Camo Max4 HD	1
10	102778509	Cowl, XRT- Silver	1
11	103405401	Cowl Cover, Driver, Short	1
12	103405402	Cowl Cover, Pass, Short	1

1
G
E

1
G
E

1



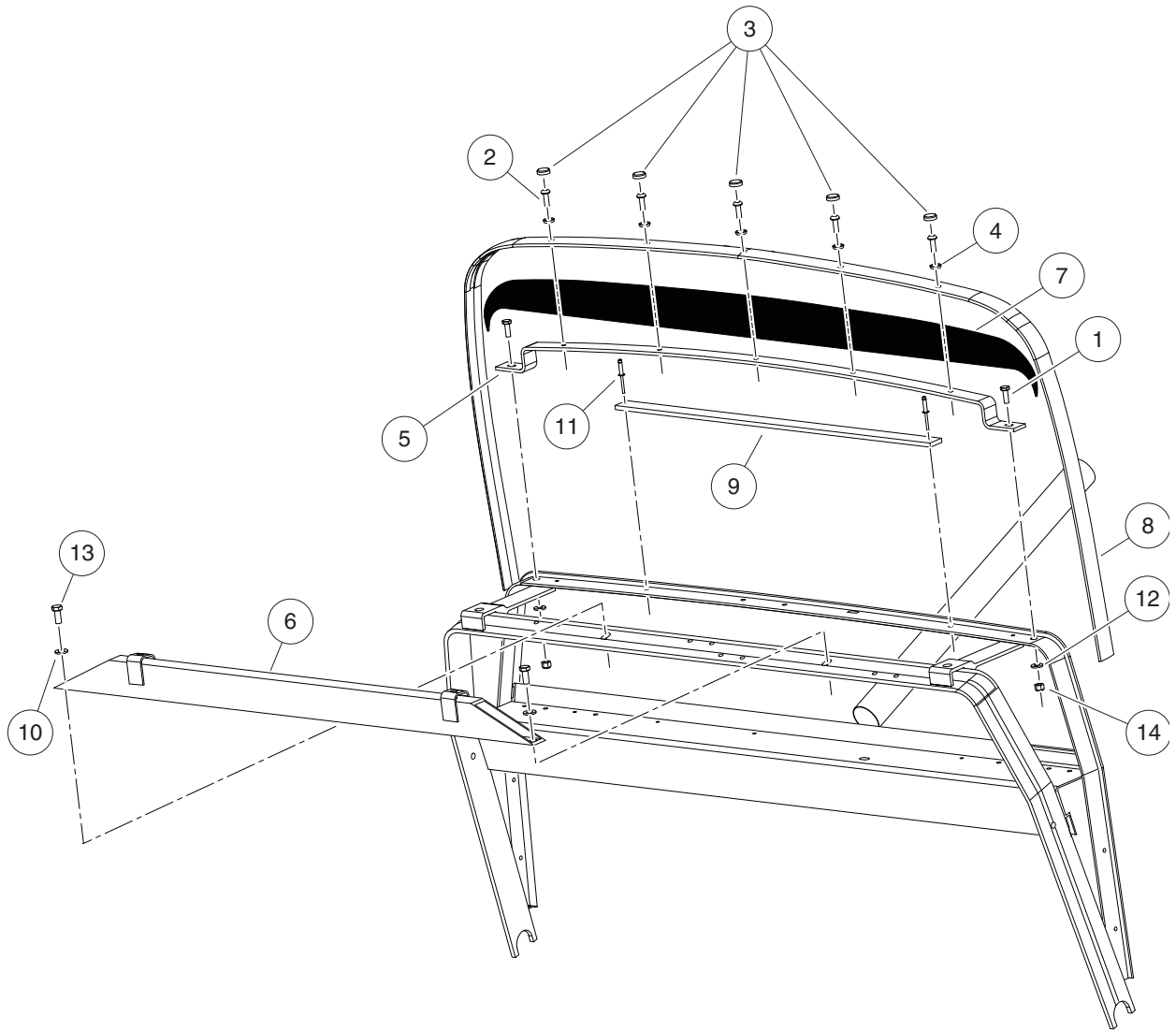
001312-001

CARGO RACK AND BUNGEE NET KIT

ITEM	PART NO.	DESCRIPTION	QTY
1	AM1213901	1 2 3 4 Kit, Cargo Rack, 800	1

1
G
E

1
G
E

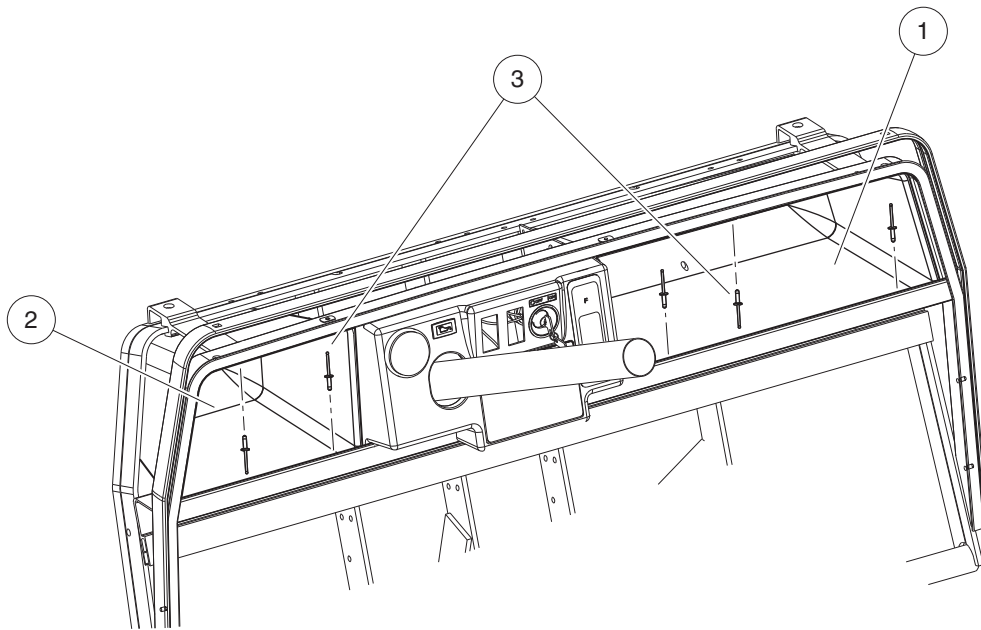


000823-004

DASH TRIM

ITEM	PART NO.	DESCRIPTION	QTY
		1 2 3 4	
1	101954301	Screw, 1/4-20 X 0.75 Hex-Head Cap	2
2	102025801	Screw, 1/4-20 X .75 Torx Pn Hd	5
3	102045001	Cap, 1/4" Plastic Screw Head	5
4	102048401	Washer, 1/4 Id Scalloped Plast	5
5	102778601	Support, Upper Cowl	1
6	103313301	Asm, Brace, Canopy, Tube, Xrt	1
7	103364101	Panel, Closeout, Dash	1
8	103364201	Strip, Trim, Dash, Black	1
9	103395101	Plate, Retention, Closeout	1
10	1241	Washer, 5/16 Type A Flat	2
11	1606	Rivet, 3/16 X .500 Alum Pop	2
12	332	Washer, 1/4 Type A Narrow Flat	2
13	7173	Screw, 5/16-18 X 0.75, Hex-Head Cap	2
14	8233	Locknut, 1/4-20, Nylon Insert	2

1
G
E



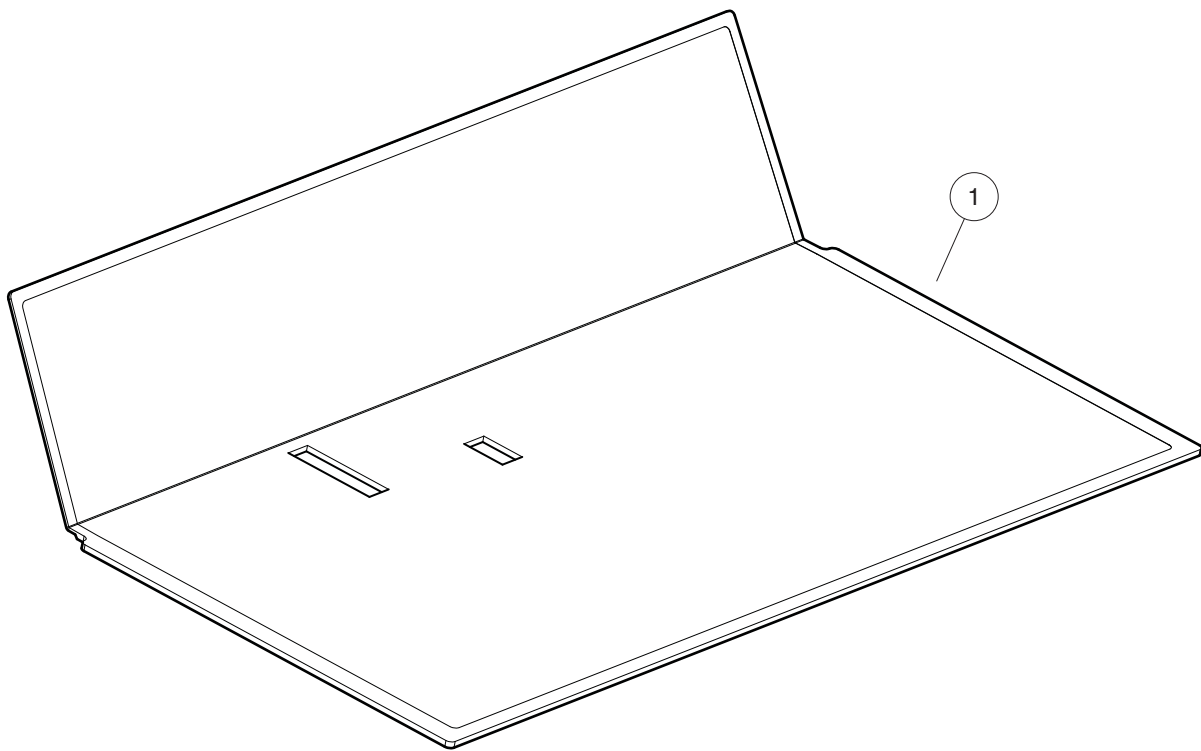
001434-001

DASH POCKETS

ITEM	PART NO.	DESCRIPTION	QTY
1	1013343	1 2 3 4 Dash Component, Passenger-Side, Black	1
2	1013344	Dash Component, Driver-Side	1
3	7973	Rivet, 3/16 X .400 Blind	5

1
G
E

1
G
E



000825-002

FLOORMAT

ITEM	PART NO.	DESCRIPTION	QTY
1	103939201	1 2 3 4 Floor Mat, Ds/utl, Std	1

1
G
E

1

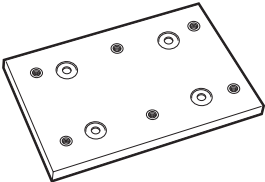
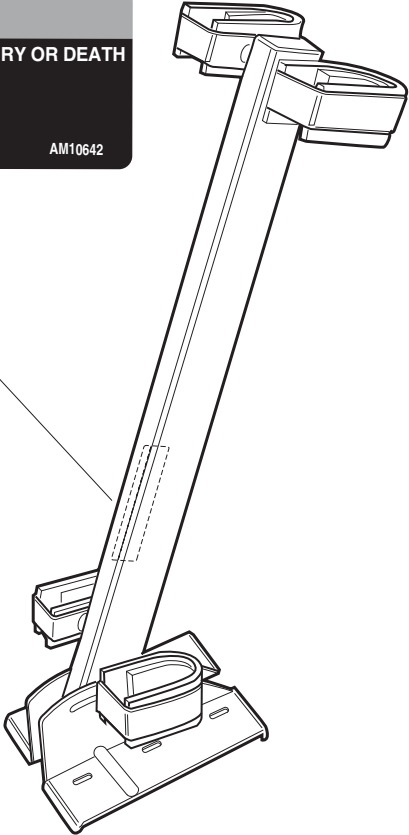
⚠ WARNING

FAILURE TO HEED THE FOLLOWING INSTRUCTIONS CAN CAUSE SEVERE INJURY OR DEATH

- Obey all Hunting Laws and Regulations.
- Never carry a closed action or loaded firearm in a vehicle.
- Always control the muzzle direction of the firearm.
- Treat each firearm as if it were loaded.
- Always point a firearm in a safe direction when loading.
- Put the safety on, double check it.

AM10642

WARNING DECAL



MOUNTING PLATE



FLOOR-MOUNT GUN RACK

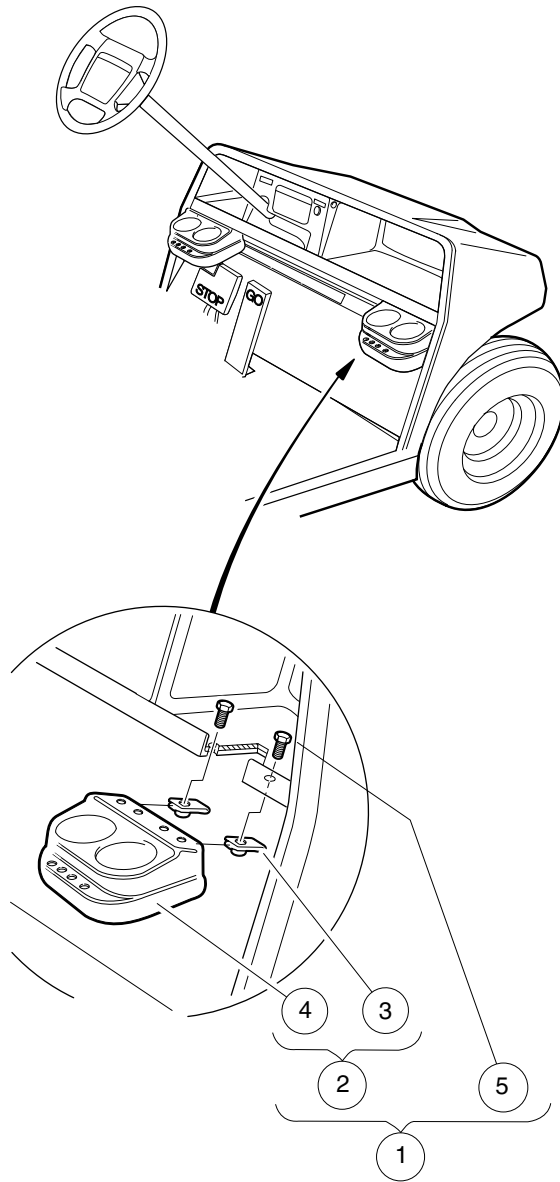
001313-001

GUN RACK, FLOOR-MOUNT

ITEM	PART NO.	DESCRIPTION	QTY
1	AM10639	1 2 3 4 Floor Mount Gun Rack Kit	1

1
G
E

1
G
E



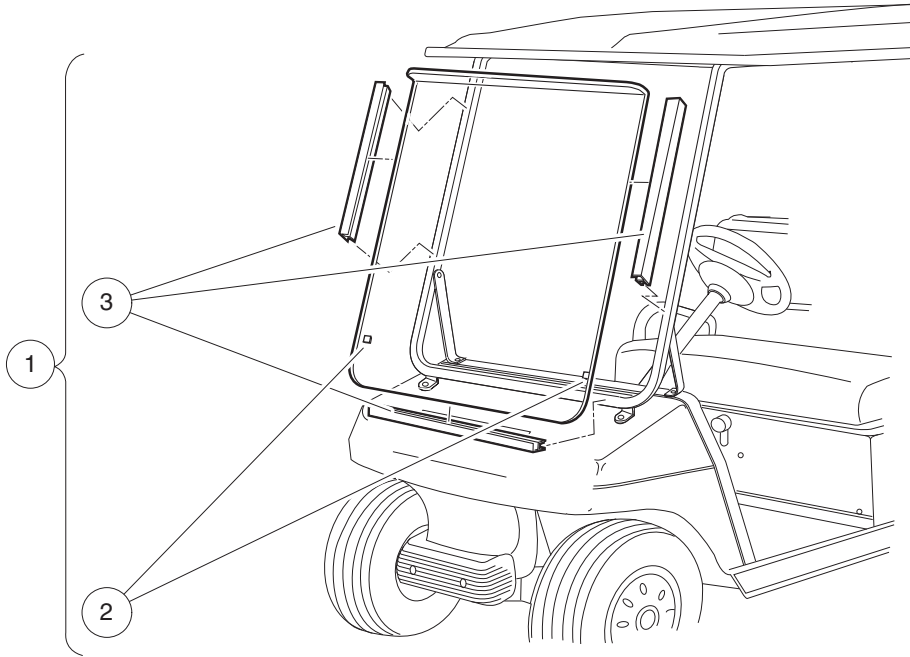
000253-002

BEVERAGE HOLDER

ITEM	PART NO.	DESCRIPTION	QTY
		1 2 3 4	
1	101708301	Drink Holder Kit (includes items 2 through 5)	1
2	1016811	Holder, Dual Cup (includes items 3 and 4)	1
3	1016952	U-Nut, 1/4-20	2
4	N/A	Cup Holder, Dual	1
5	7847	Screw, 1/4-20 X 0.75 Hex-Head Cap	2

1
G
E

1
G
E



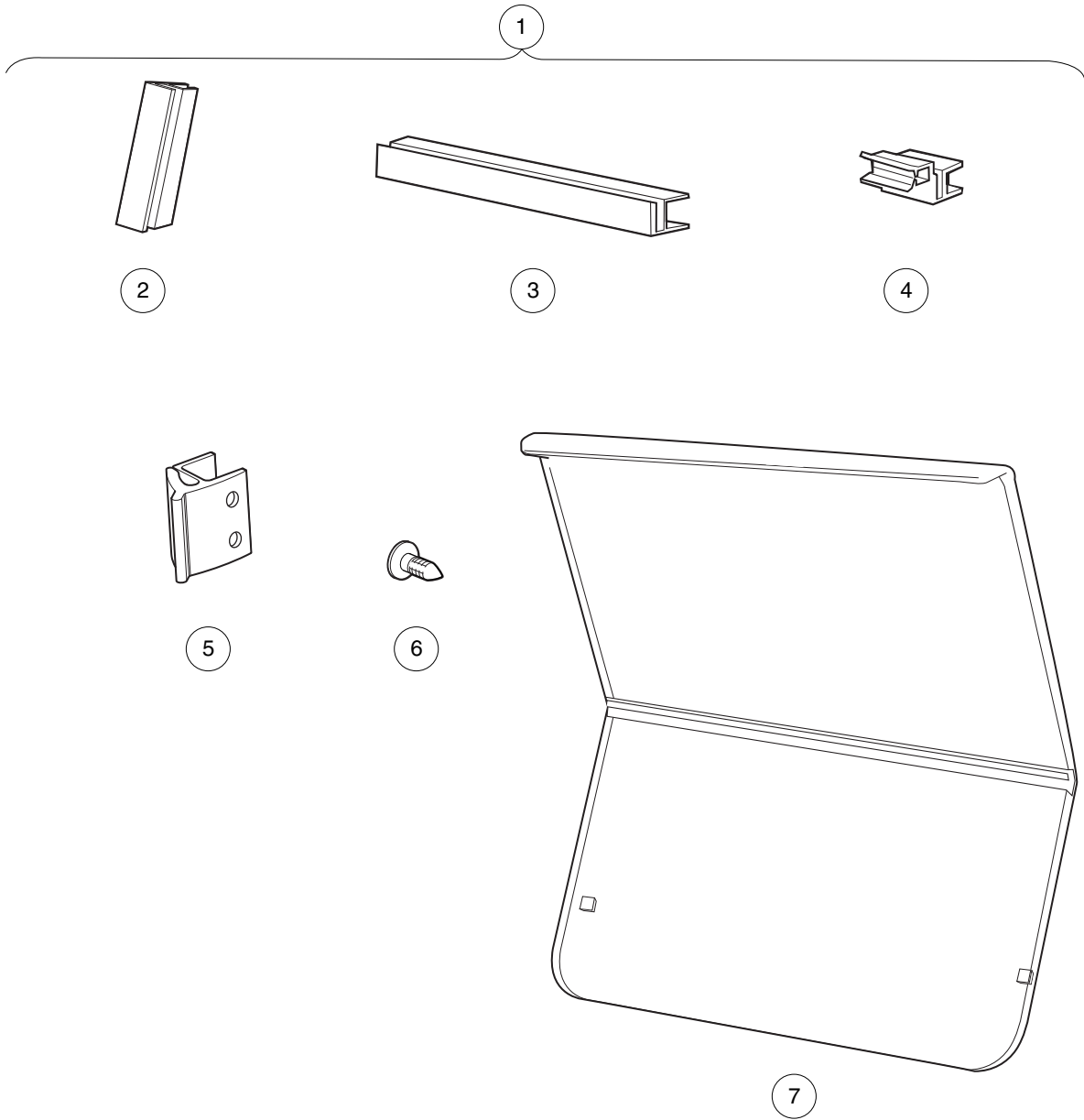
001204-001

WINDSHIELD, NON-HINGED

ITEM	PART NO.	DESCRIPTION	QTY
		1 2 3 4	
1	1014435	Windshield Tinted One-Piece (includes items 2 and 3)	1
2	1011897	Bumper, Protective	2
3	101444101	21" Plastic Extrusion	3
<p style="margin-left: 40px;">Note: Requires Windshield Frame Kit.</p>			



1
G
E



001257-001

WINDSHIELD, HINGED

ITEM	PART NO.	DESCRIPTION	QTY
		1 2 3 4	
1	103888301	Kit, Hinged Windshield, Utility (includes items 2 through 7)	1
2	102005701	5" Plastic Extrusion	4
3	102163001	Windshield Channel	1
4	102163101	Channel with Receiver Clip	2
5	103677101	W/s, Rubber, Clip Retainer	2
6	103754901	Fastener, Barrel - .610 X .25	8
7	103888101	Hinged Windshield, Utility	1
<p style="margin-left: 40px;">Note: Requires Windshield Frame Kit.</p>			

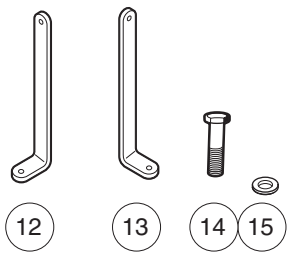
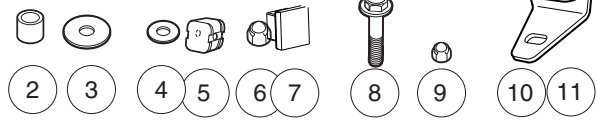
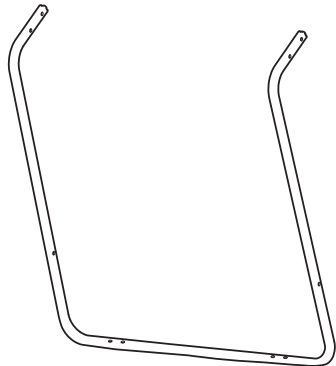
1

G

E

1
G
E

1



001533-001

WINDSHIELD FRAME KIT

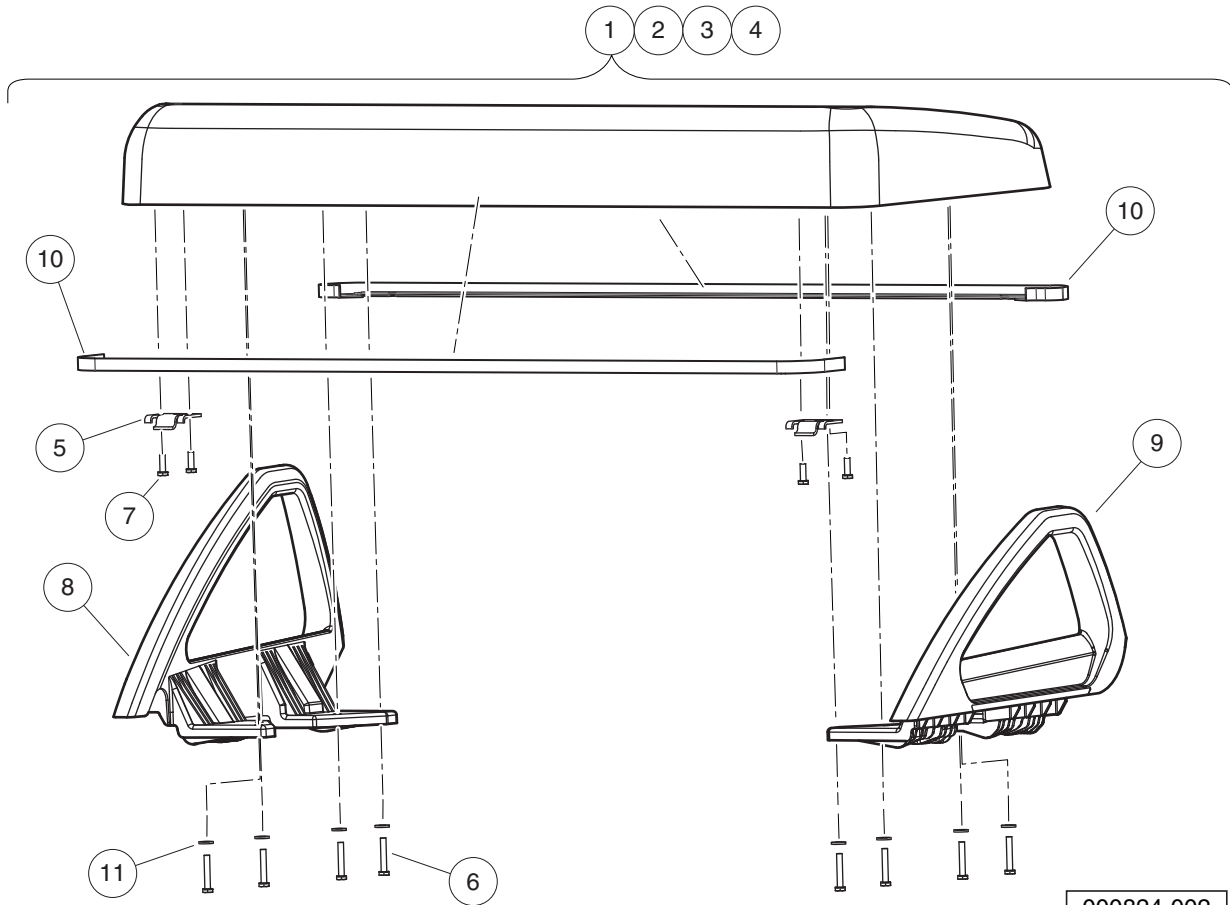
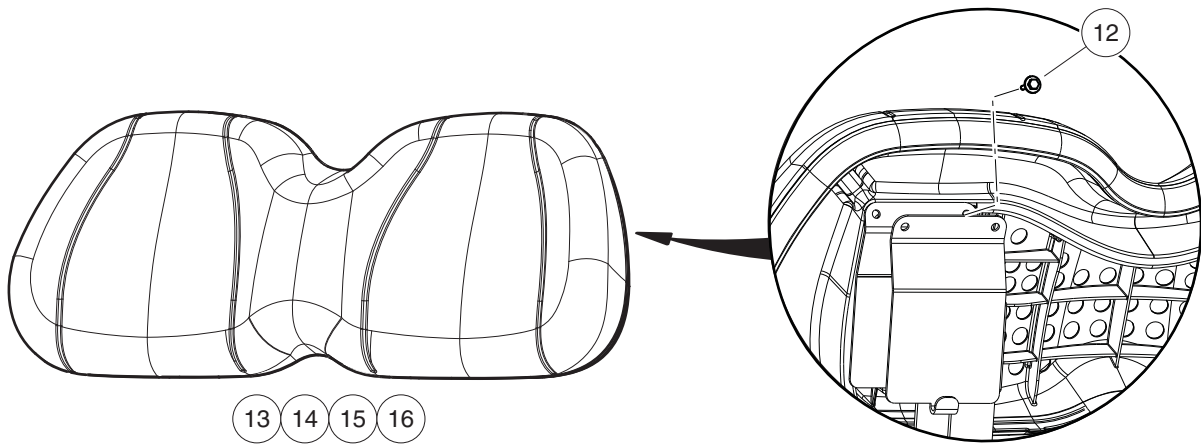
ITEM	PART NO.	DESCRIPTION	QTY
		1 2 3 4	
1	103795504	Kit, W/s Frame, Canopy (includes items 2 through 15)	1
2	1010237	Bushing	2
3	1010517	Washer, .88 Od X .343 Id Nylon	2
4	1011964	Washer, 1/4 Flat	2
5	1013884	Spacer, Bag Hoop	4
6	1015091	Nut, 1/4-20 Stainless-Steel Center-Lock Cap	4
7	1017271	Finishing Plug	2
8	102076702	Screw, 1/4-20 X 1.75 Hexhead, SEMS, Black	2
9	102242401	Nut - Nylon Insert W/cap	2
10	102854301	Bracket, Support, Windshield Frame, Driver-Side	1
11	102854302	Bracket, Support, Windshield Frame, Passenger-Side	1
12	103411101	Brace, Knee, Passenger	1
13	103411201	Brace, Knee, Driver	1
14	304	Screw, 1/4-20 X 1.0 Hex-Head Cap	2
15	332	Washer, 1/4 Type A Narrow Flat	6
<p style="margin-left: 40px;">Note: Windshield Frame Kit required for canopy installation and windshield installation.</p>			

1

G

E

1
G
E

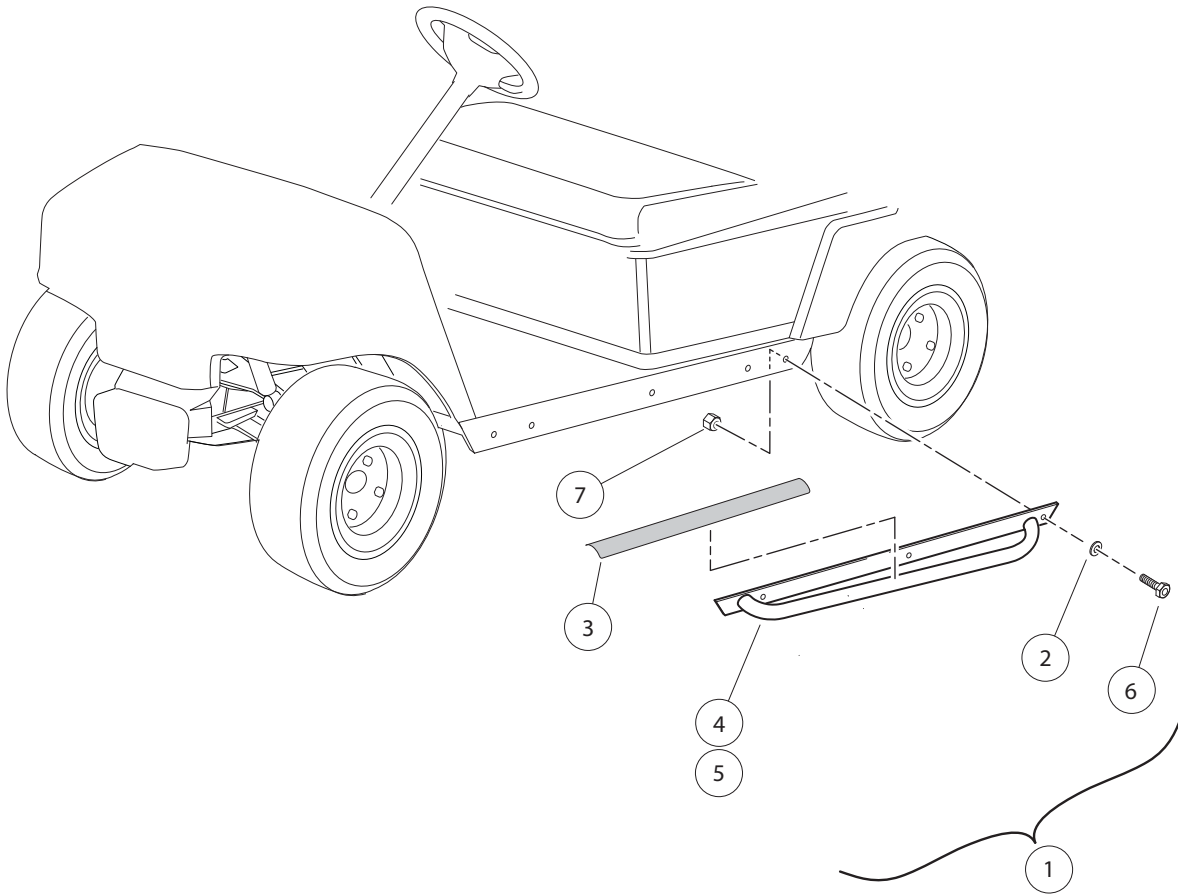


000824-002

SEATS

ITEM	PART NO.	DESCRIPTION	QTY	1 G E
		1 2 3 4		
1	101998004	Seat Bottom Assembly, Black	1	
2	101998006	Seat Bottom Assembly, Gray	1	
3	101998007	Seat Assy Precedent White	1	
4	101998008	Seat Assy Precedent Beige (includes items 5 through 11)	1	
5	1011652	Hinge Plate	2	
6	1016916	Screw, 1/4-20 X 1.50 Hex-Head Cap	8	
7	101954301	Screw, 1/4-20 X 0.75 Hex-Head Cap	4	
8	101985502	Armrest, Passenger (right)	1	
9	101987602	Armrest, Driver (left)	1	
10	101998501	Gasket, Seat	2	
11	332	Washer, 1/4 Type A Narrow Flat	8	
12	102296530	Screw - M6 X 1.0 X 30 Sems	2	
13	102503221	Service Backrest Asm, Beige	1	
14	102503222	Service Backrest Asm, White	1	
15	102503224	Service Backrest Asm, Gray	1	
16	102503225	Service Backrest Asm-black	1	

1
G
E



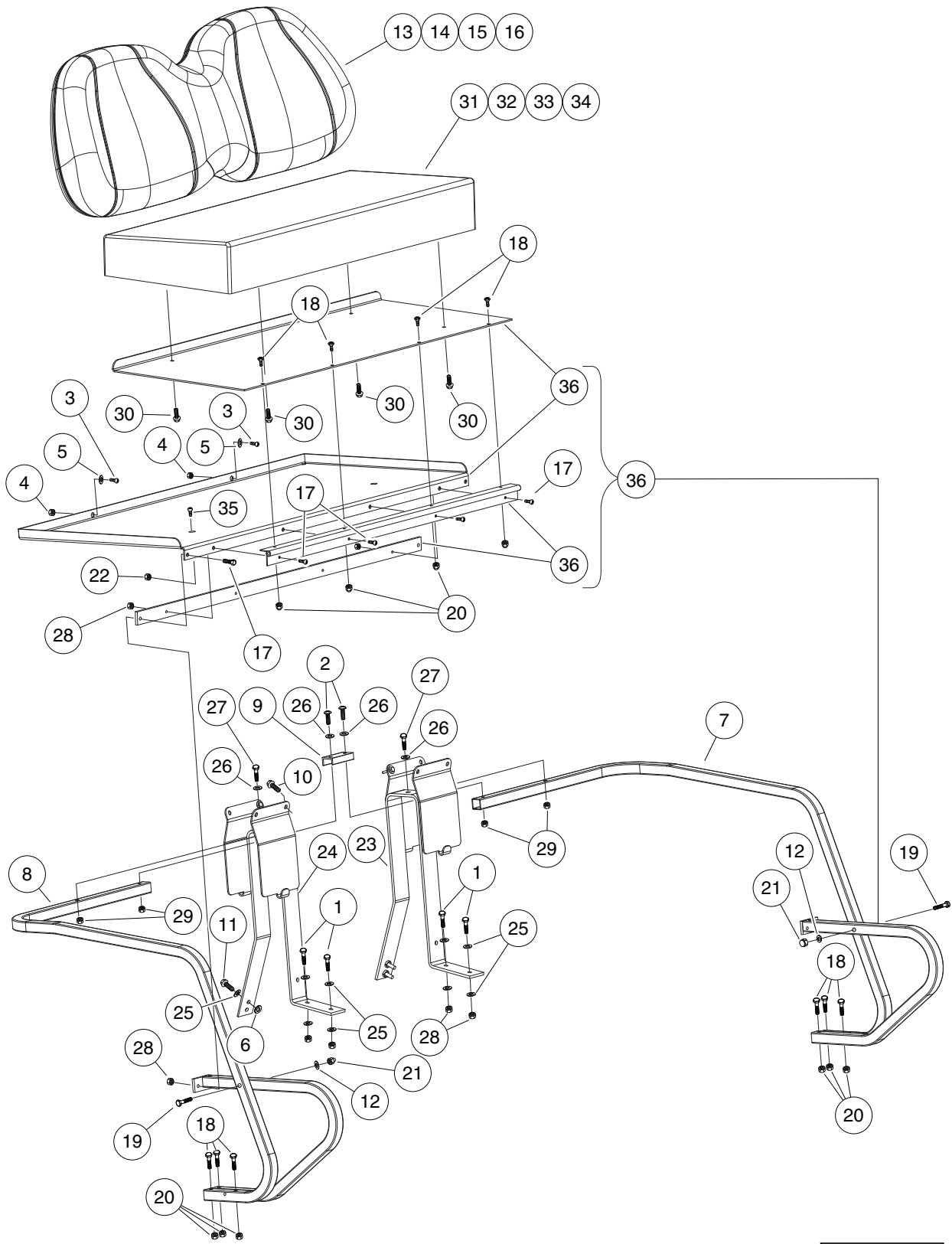
000360-004

NERF BAR

ITEM	PART NO.	DESCRIPTION	QTY
		1 2 3 4	
1	102829801	Kit, Nerf Bar, Ds/lynx (includes items 2 through 7)	1
2	1011990	Washer, 3/8 Flat	6
3	102355102	Tape, Non-skid	2
4	102829701	Asm, Nerf Bar, Dmnd Plt, Drv	1
5	102829702	Asm, Nerf Bar, Dmnd Plt,pass	1
6	320	Screw, 3/8-16 X 1.00 Hex-Head Cap	6
7	8754	Locknut, 3/8-16 Hex	6

1
G
E

1
G
E



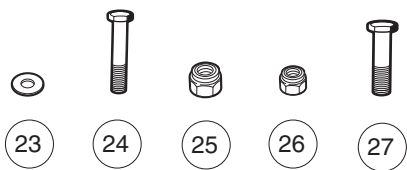
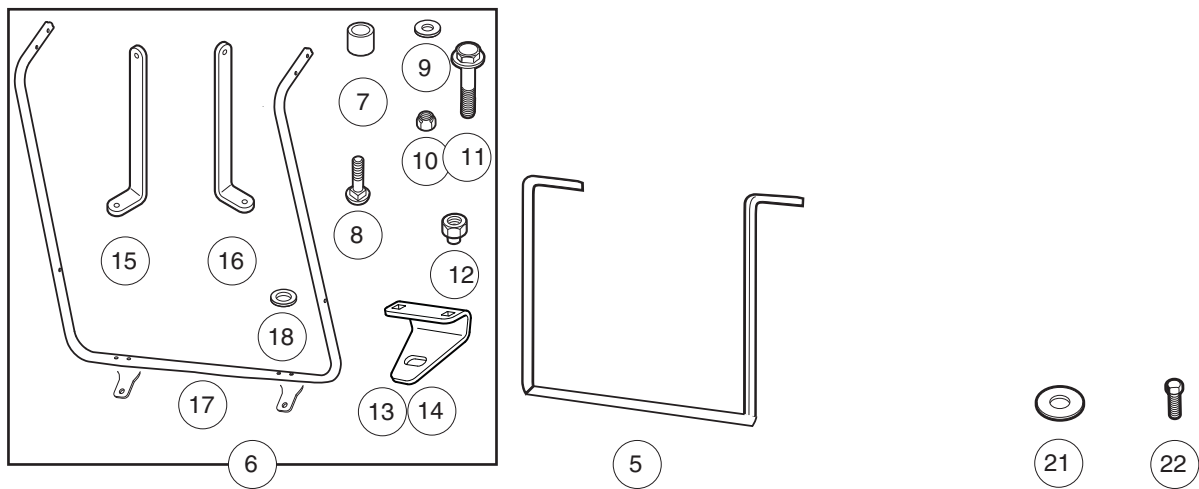
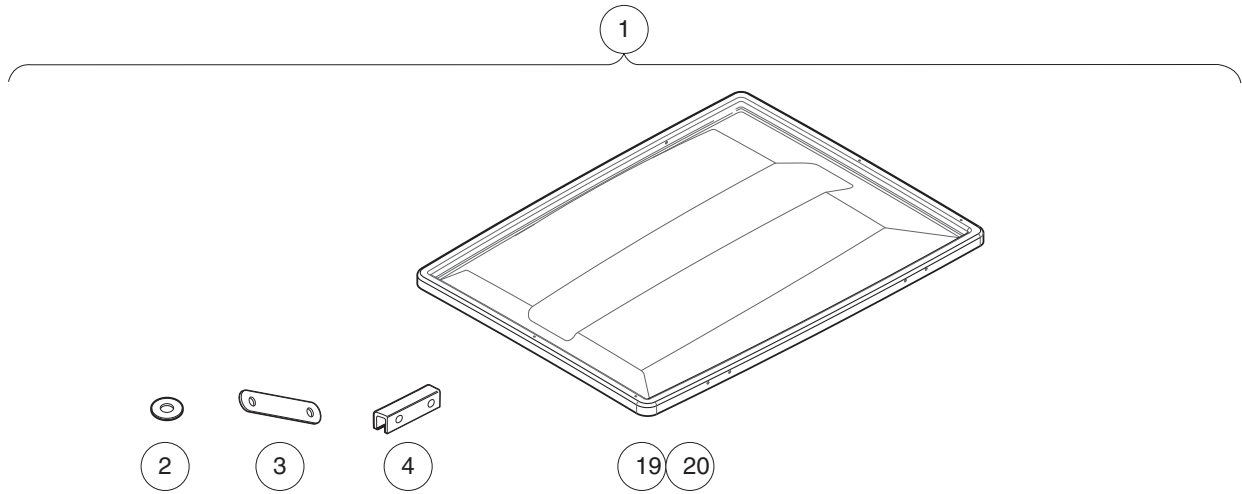
000841-001

REAR, FOLD DOWN SEAT

ITEM	PART NO.	DESCRIPTION	QTY
		1 2 3 4	
1	1010577	Bolt, Hex-Head, 5/16-18 X 1.50	4
2	1011988	Screw, 1/4-20 X 2.00 Phillips Truss-Head	2
3	1015059	Screw, 5/16-18 X 1.0 Phl Truss	2
4	1015072	Locknut, 5/16-18 Nylon Insert	2
5	1015077	Washer, 5/16 Flat	2
6	1017774	Body Spacer	4
7	101841201	Armrest, Seat, Rear, Right-Hand	1
8	101841202	Armrest, Seat, Rear, Left-Hand	1
9	101841301	Armrest Bracket	1
10	101910401	Screw, 5/16-18 X 1.25 Thrd Frm	4
11	102296530	Screw - M6 X 1.0 X 30 Sems	2
12	102324901	Washer, Flat, 1/4", Blk	2
13	102503211	4 Pass Backrest Asm-beige	1
14	102503212	4 Pass Backrest Asm-white	1
15	102503214	Backrest Assembly, Gray	1
16	102503215	4 Pass Backrest Asm-black	1
17	102541425	Bolt, M6x1.0x25, Hex Flhd, Blk-l	6
18	102541445	Bolt-m6x1.0x45 Hex Flhd,blk	10
19	102541465	Bolt, M 6 X 1.0 X 65 Hex, Flange, Head, Black	2
20	102541501	Nut-m6x1.0 Fl Mtl Lock,blk	10
21	102582401	Cap Nut M6, Sp	6
22	102618601	Lock Nut, Flange, M8 X 1.25 Nylon	2
23	103378301	Weldment, Bracket, Seat, Fd Rh	1
24	103378302	Weldment, Bracket, Seat, Fd Lh	1
25	1241	Washer, 5/16 Type A Flat	12
26	332	Washer, 1/4 Type A Narrow Flat	6
27	7311	Screw, 1/4-20 X 2.00 Hex-Head Cap	2
28	7473	Locknut, 5/16-18 Nylon Insert	12
29	8233	Locknut, 1/4-20, Nylon Insert	4
30	SVPP230201	1/4-20x.75 Fl Hd Mach Scr Ss	4
31	SVPP230901	Seat Sub Asm, Beige	1
32	SVPP230902	Seat Sub Asm, White	1
33	SVPP230903	Seat Asm - Gray	1
34	SVPP230904	Seat Sub Asm, Blk	1
35	SVPP234001	M8x1.25x25 Fl Hd Mach Scr	2
36	SVPP285901	Kit, Fold Downxrt 800/810/850	1

1
G
E

1
G
E



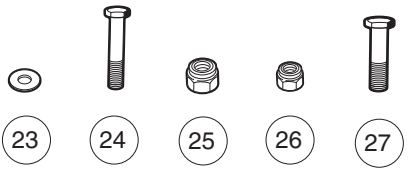
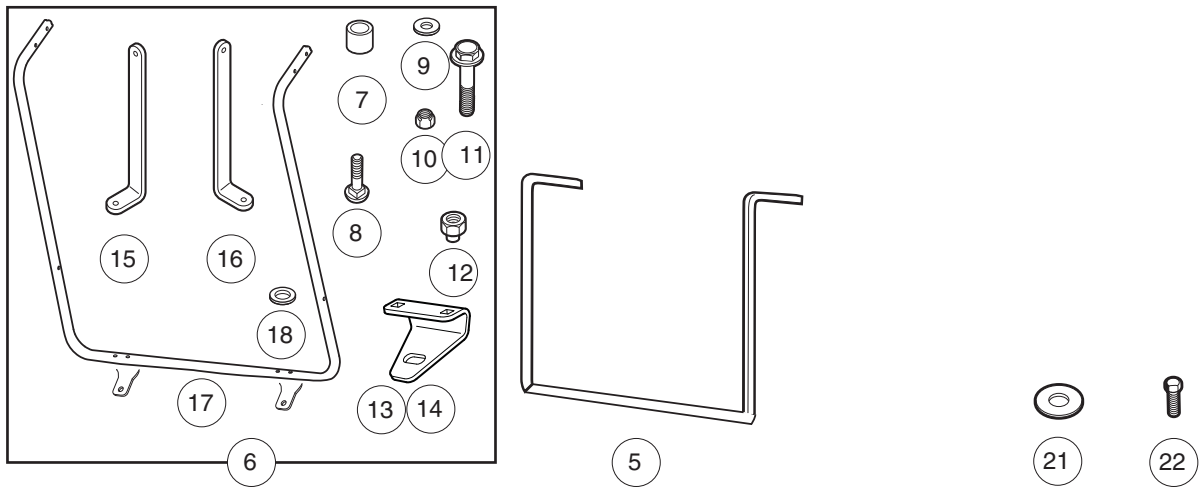
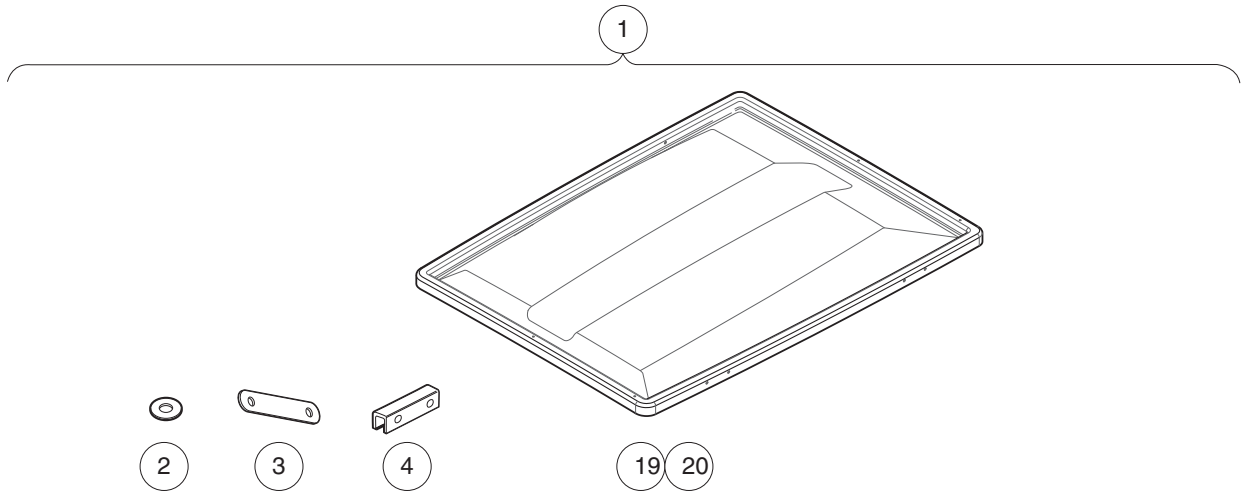
001532-001

CANOPY (WHITE) FOR VEHICLES EQUIPPED WITH BED

ITEM	PART NO.	DESCRIPTION	QTY
		1 2 3 4	
1	103410501	Kit, Canopy, White, 56" (includes items 2 through 27)	1
2	1010517	Washer, .88 Od X .343 Id Nylon	2
3	1011852	Plate, Canopy Trim	8
4	1012008	Support, Side Canopy	2
5	103411001	Brace, Canopy, Short, Bed	1
6	103795503	Asm, W/s Frame, Canopy, Black (includes items 7 through 18)	1
7	1010237	Bushing	2
8	N/A	Bolt, 1/4-20 X 1.50 Rd Hd Sq N	4
9	1011964	Washer, 1/4 Flat	2
10	1015091	Nut, 1/4-20 Stainless-Steel Center-Lock Cap	4
11	102076702	Screw, 1/4-20 X 1.75 Hexhead,SEMS, Black	2
12	102242401	Nut - Nylon Insert W/cap	2
13	102854301	Bracket, Support, Windshield Frame, Driver-Side	1
14	102854302	Bracket, Support, Windshield Frame, Passenger-Side	1
15	103411101	Brace, Knee, Passenger	1
16	103411201	Brace, Knee, Driver	1
17	103787302	Frame, Windshield, Vac Cowl	1
18	332	Washer, 1/4 Type A Narrow Flat	4
19	103804003	Asm, Canopy, Utility White (includes item 20)	1
20	1011942	Modified Grommet	2
21	1241	Washer, 5/16 Type A Flat	6
22	304	Screw, 1/4-20 X 1.0 Hex-Head Cap	2
23	332	Washer, 1/4 Type A Narrow Flat	18
24	7311	Screw, 1/4-20 X 2.00 Hex-Head Cap	8
25	7473	Locknut, 5/16-18 Nylon Insert	3
26	8233	Locknut, 1/4-20, Nylon Insert	8
27	8963	Screw, 5/16-18 X 1.75 Hex-Head Cap	3

1
G
E

1
G
E



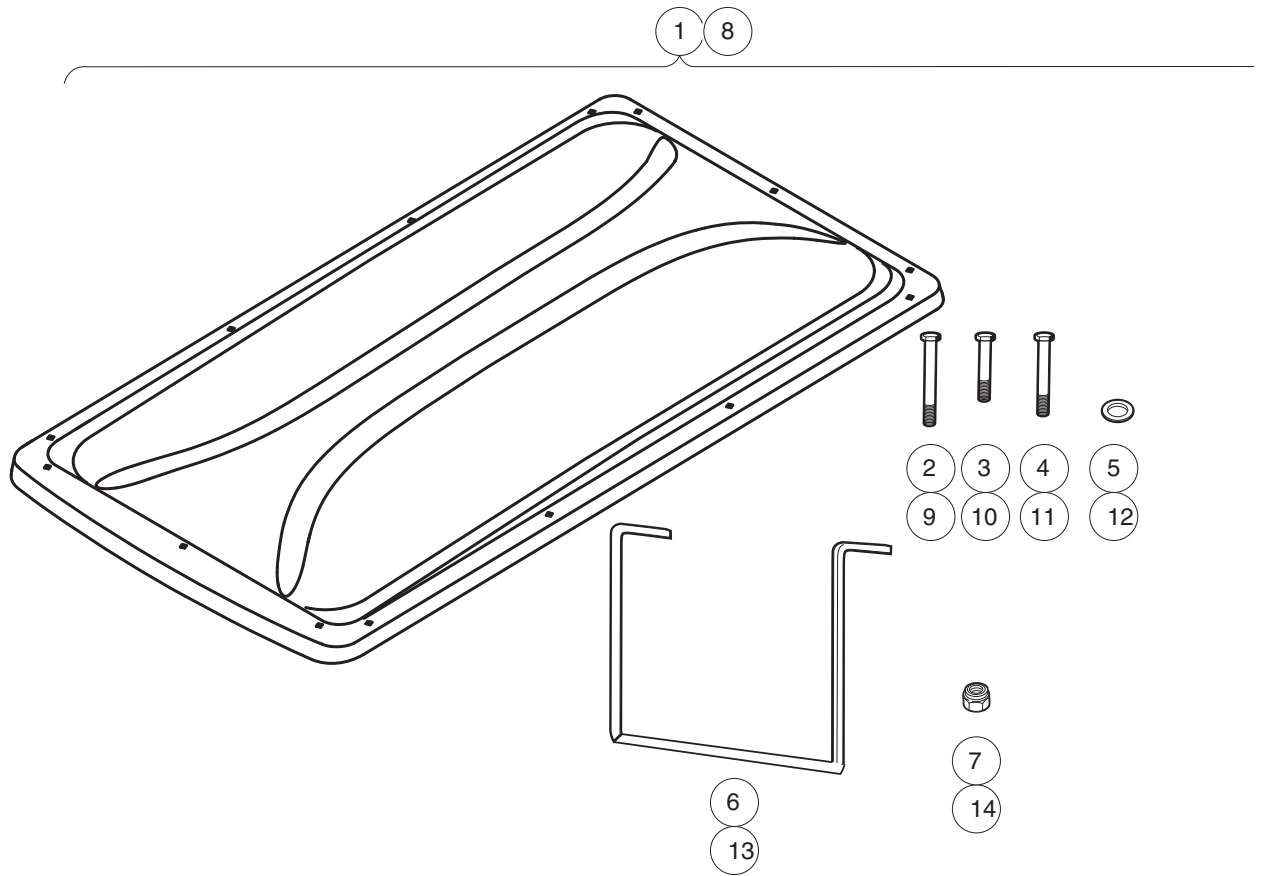
001532-001

CANOPY (BLACK) FOR VEHICLES EQUIPPED WITH BED

ITEM	PART NO.	DESCRIPTION	QTY
		1 2 3 4	
1	103410401	Kit, Canopy, Black, 56" (includes items 2 through 27)	1
2	1010517	Washer, .88 Od X .343 Id Nylon	2
3	1011852	Plate, Canopy Trim	8
4	1012008	Support, Side Canopy	2
5	103411001	Brace, Canopy, Short, Bed	1
6	103795503	Asm, W/s Frame, Canopy, Black (includes items 7 through 18)	1
7	1010237	Bushing	2
8	N/A	Bolt, 1/4-20 X 1.50 Rd Hd Sq N	4
9	1011964	Washer, 1/4 Flat	2
10	1015091	Nut, 1/4-20 Stainless-Steel Center-Lock Cap	4
11	102076702	Screw, 1/4-20 X 1.75 Hexhead,SEMS, Black	2
12	102242401	Nut - Nylon Insert W/cap	2
13	102854301	Bracket, Support, Windshield Frame, Driver-Side	1
14	102854302	Bracket, Support, Windshield Frame, Passenger-Side	1
15	103411101	Brace, Knee, Passenger	1
16	103411201	Brace, Knee, Driver	1
17	103787302	Frame, Windshield, Vac Cowl	1
18	332	Washer, 1/4 Type A Narrow Flat	4
19	103804004	Asm, Canopy, Utility Black (includes item 20)	1
20	1011942	Modified Grommet	2
21	1241	Washer, 5/16 Type A Flat	6
22	304	Screw, 1/4-20 X 1.0 Hex-Head Cap	2
23	332	Washer, 1/4 Type A Narrow Flat	18
24	7311	Screw, 1/4-20 X 2.00 Hex-Head Cap	8
25	7473	Locknut, 5/16-18 Nylon Insert	3
26	8233	Locknut, 1/4-20, Nylon Insert	8
27	8963	Screw, 5/16-18 X 1.75 Hex-Head Cap	3

1
G
E

1
G
E



001534-00

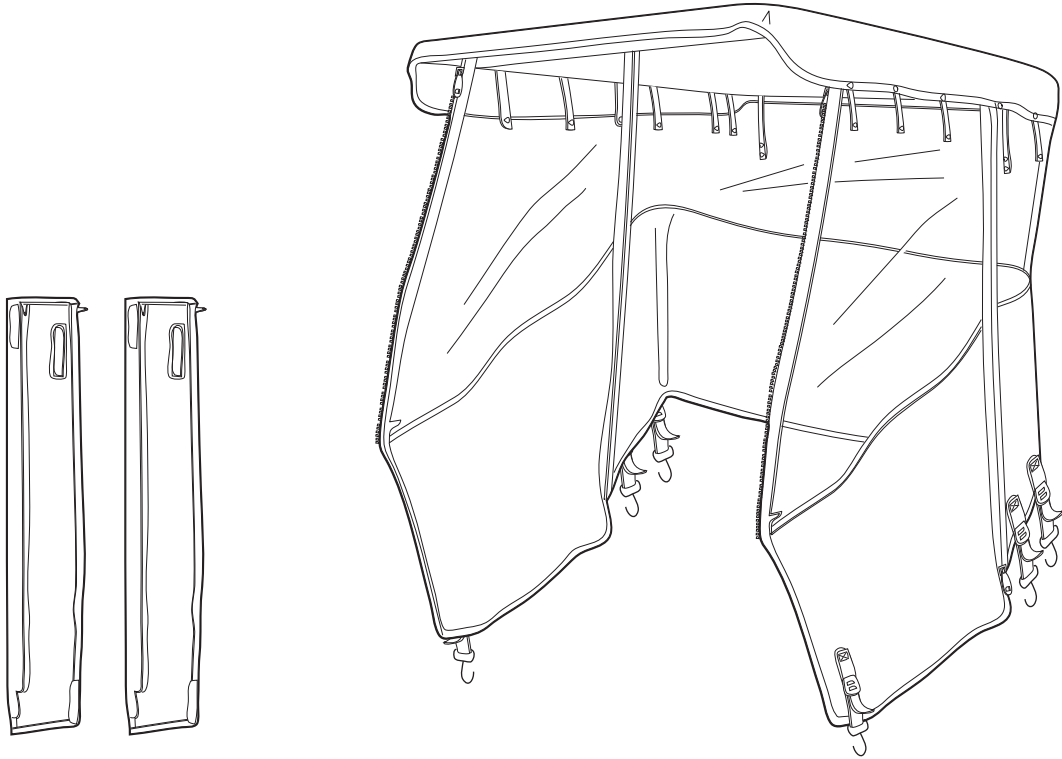
80 INCH CANOPY KITS, VEHICLES WITH FOLD DOWN REAR SEAT

ITEM	PART NO.	DESCRIPTION	QTY
		1 2 3 4	
1	47595294001	Kit, Canopy, 80" Fd, Black (includes items 2 through 7)	1
2	1012462	Bolt, 1/4-20 X 3.50 Hex Head	4
3	1013509	Screw, 1/4-20 X 1.75 Hx Hd Cap	2
4	324	Screw, 1/4-20 X 2.50 Hx Hd Cap	4
5	332	Washer, 1/4 Type A Narrow Flat	20
6	47595292001	Strut, Canopy, Rear, Long	1
7	8233	Locknut, 1/4-20, Nylon Insert	10
8	47595294002	Kit, Canopy, 80" Fd, White (includes items 9 through 14)	1
9	1012462	Bolt, 1/4-20 X 3.50 Hex Head	4
10	1013509	Screw, 1/4-20 X 1.75 Hx Hd Cap	2
11	324	Screw, 1/4-20 X 2.50 Hx Hd Cap	4
12	332	Washer, 1/4 Type A Narrow Flat	20
13	47595292001	Strut, Canopy, Rear, Long	1
14	8233	Locknut, 1/4-20, Nylon Insert	10
<p>Note: Requires Windshield Frame Kit.</p>			

1
G
E

1
G
E

1
2



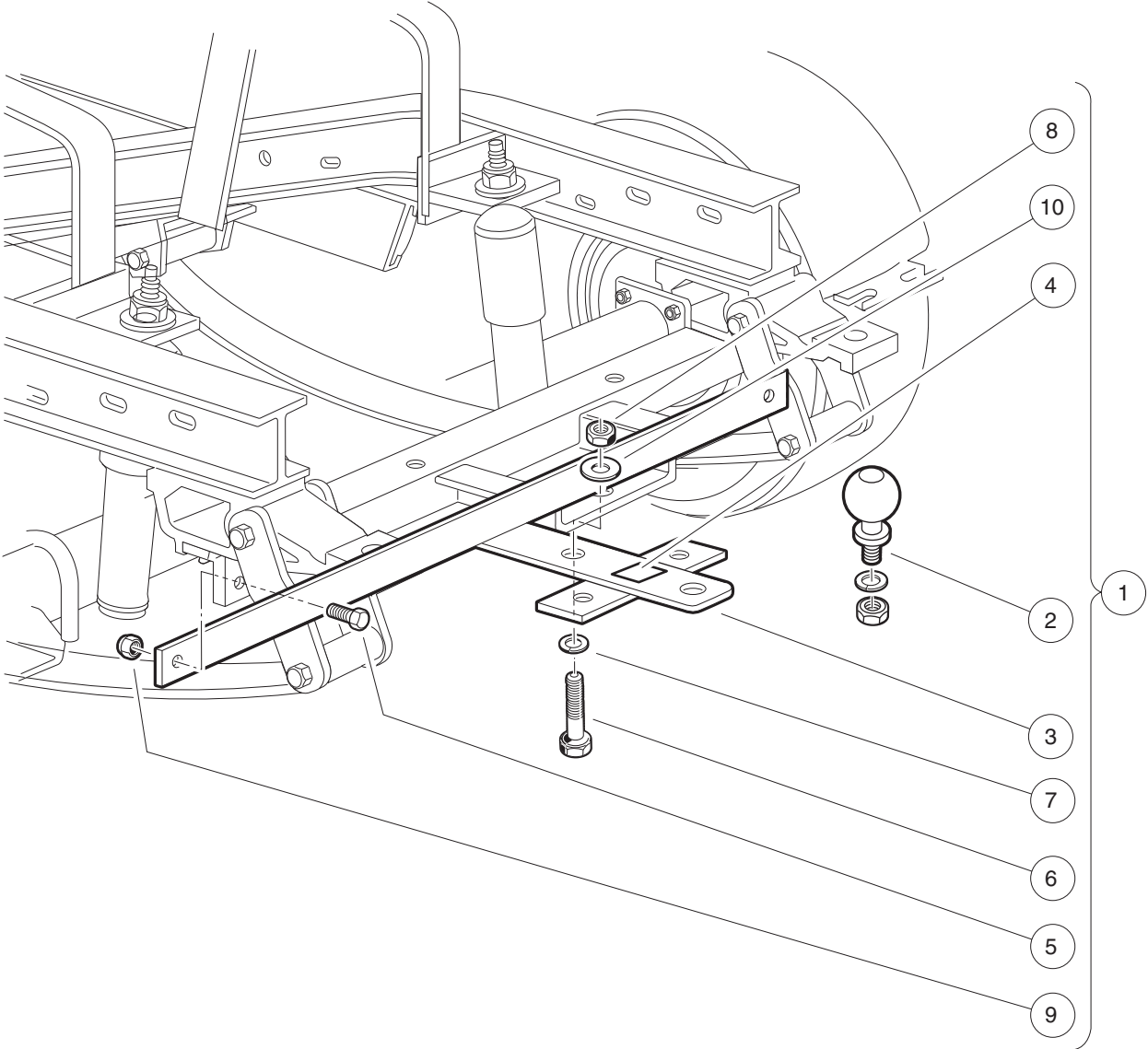
001309-001

ENCLOSURE, 3-SIDED – FOR VEHICLE WITH CARGO BED

ITEM	PART NO.	DESCRIPTION	QTY
		1 2 3 4	
1	102852801	Kit, Enclosure, Gray, W/ Bed	1
2	103407601	Kit, Enclosure, Black, W/ Bed	1

1
G
E

1
G
E

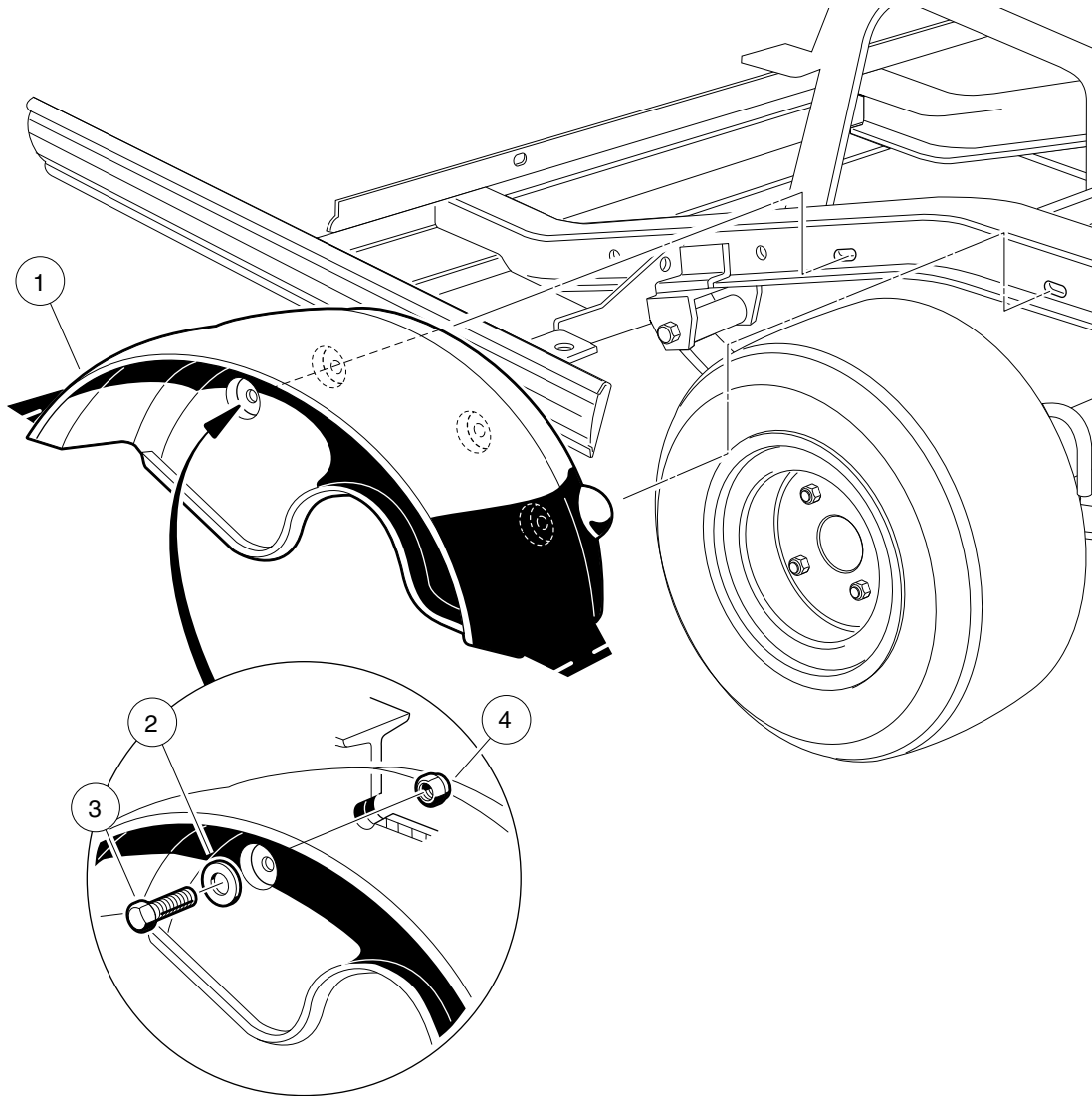


001432-001

TRAILER HITCH

ITEM	PART NO.	DESCRIPTION	QTY
		1 2 3 4	
1	1011522	Kit, Trailer Hitch (1-7/8 Ball (includes items 2 through 10)	1
2	1011546	Trailer Hitch Ball - 1 7/8"	1
3	N/A	Trailer Hitch Weld Assy'	1
4	1011553	Decal, Trailer Hitch	1
5	1218	Screw, 5/16-18 X 1.25 Hex-Head Cap	2
6	1624	Screw, 3/8-16 X 1.50, Hex-Head Cap	1
7	357	Lockwasher, 3/8 Split	1
8	706	Nut, Hex 3/8-16	1
9	7473	Locknut, 5/16-18 Nylon Insert	2
10	808	Washer, 3/8 Type B Flat	1

1
G
E



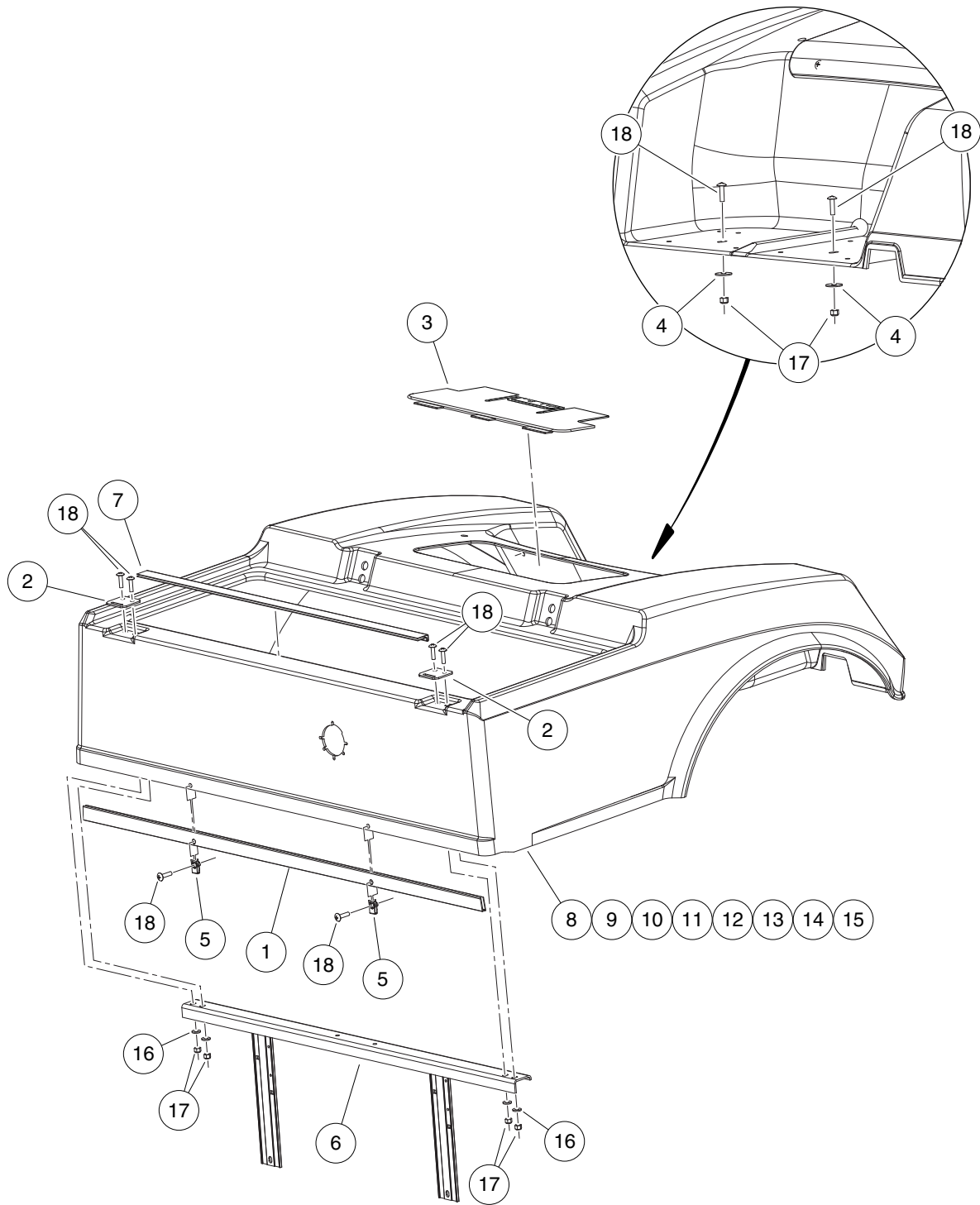
000747-001

INNER FENDER

ITEM	PART NO.	DESCRIPTION	QTY
		1 2 3 4	
1	1017936	Fender, Inner	2
2	332	Washer, 1/4 Type A Narrow Flat	4
3	7847	Screw, 1/4-20 X 0.75 Hex-Head Cap	4
4	8233	Locknut, 1/4-20, Nylon Insert	4

1
G
E

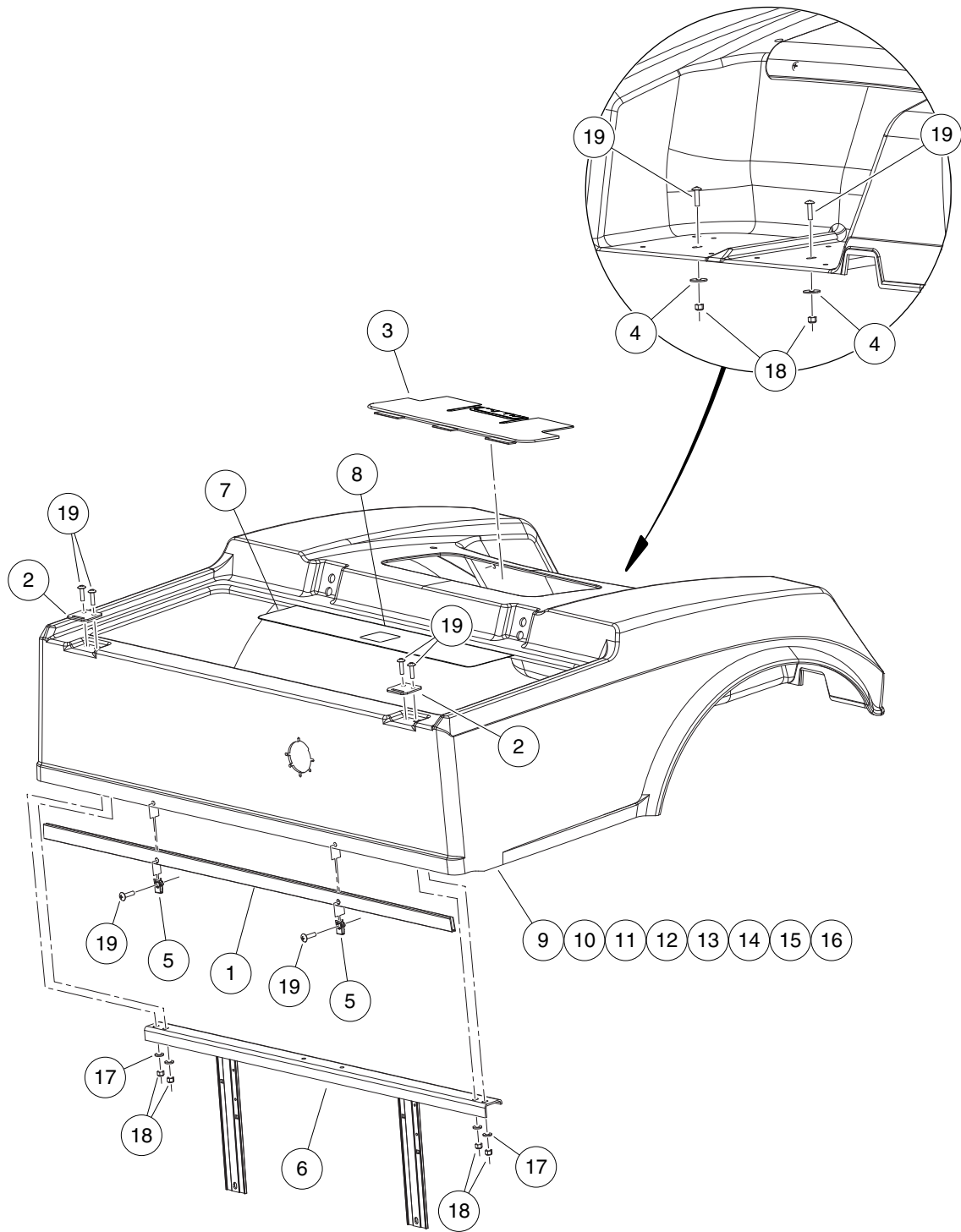
1
G
E



000820-001

REAR BODY – ELECTRIC VEHICLES

ITEM	PART NO.	DESCRIPTION	QTY	
		1 2 3 4		1
1	1010993	Body Kick Plate	1	G
2	1012412	Body, Hinge Plate	2	E
3	101303202	Access Panel - Black, Cut	1	
4	1014306	Washer, 1/4" Type B Flat	2	
5	1016952	U-Nut, 1/4-20	2	
6	1017141	Body Support Weldment	1	
7	101837001	Battery Insulator	1	
8	103365401	Body, Rear XRT Elec Red	1	
9	103365402	Body, Rear XRT Elec Green	1	
10	103365403	Body, Rear XRT Elec Camo (Husqvarna)	1	
11	103365404	Body, Rear XRT Elec Blue	1	
12	103365405	Body, Rear XRT Elec Black	1	
13	103365407	Body, Rear XRT Elec Camo Hardwood (Standard camo for XRT850)	1	
14	N/A	Body, Rear XRT Elec Max4	1	
15	103365409	Body, Rear XRT Elec Silver	1	
16	332	Washer, 1/4 Type A Narrow Flat	4	
17	8233	Locknut, 1/4-20, Nylon Insert	6	
18	8251	Screw, 1/4-20 X 1.0 Truss-Head Machine	8	

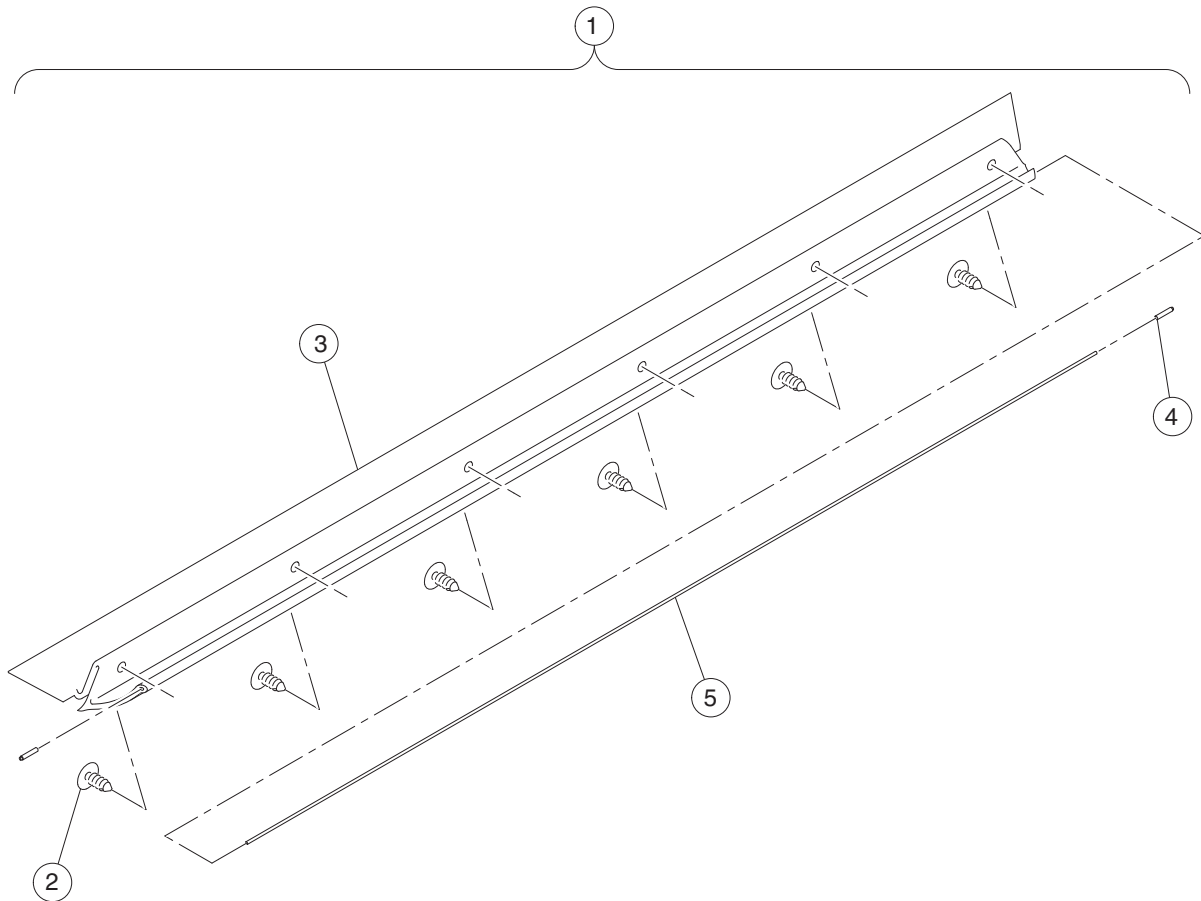


000819-001

REAR BODY – GASOLINE VEHICLES

ITEM	PART NO.	DESCRIPTION	QTY
		1 2 3 4	
1	1010993	Body Kick Plate	1
2	1012412	Body, Hinge Plate	2
3	101303202	Access Panel - Black, Cut	1
4	1014306	Washer, 1/4" Type B Flat	2
5	1016952	U-Nut, 1/4-20	2
6	1017141	Body Support Weldment	1
7	101806901	Shield, Heat	1
8	101960501	Decal, Rotating Parts/Hot Manifold	1
9	103365501	Body, Rear XRT Gas Red	1
10	103365502	Body, Rear XRT Gas Green	1
11	103365503	Body, Rear XRT Gas Camo (Husqvarna)	1
12	103365504	Body, Rear XRT Gas Blue	1
13	103365505	Body, Rear XRT Gas Black	1
14	103365507	Body, Rear XRT Gas Hardwood	1
15	N/A	Body, Rear XRT Gas Max4	1
16	103365509	Body, Rear XRT Gas Silver	1
17	332	Washer, 1/4 Type A Narrow Flat	4
18	8233	Locknut, 1/4-20, Nylon Insert	6
19	8251	Screw, 1/4-20 X 1.0 Truss-Head Machine	8

1
G
E

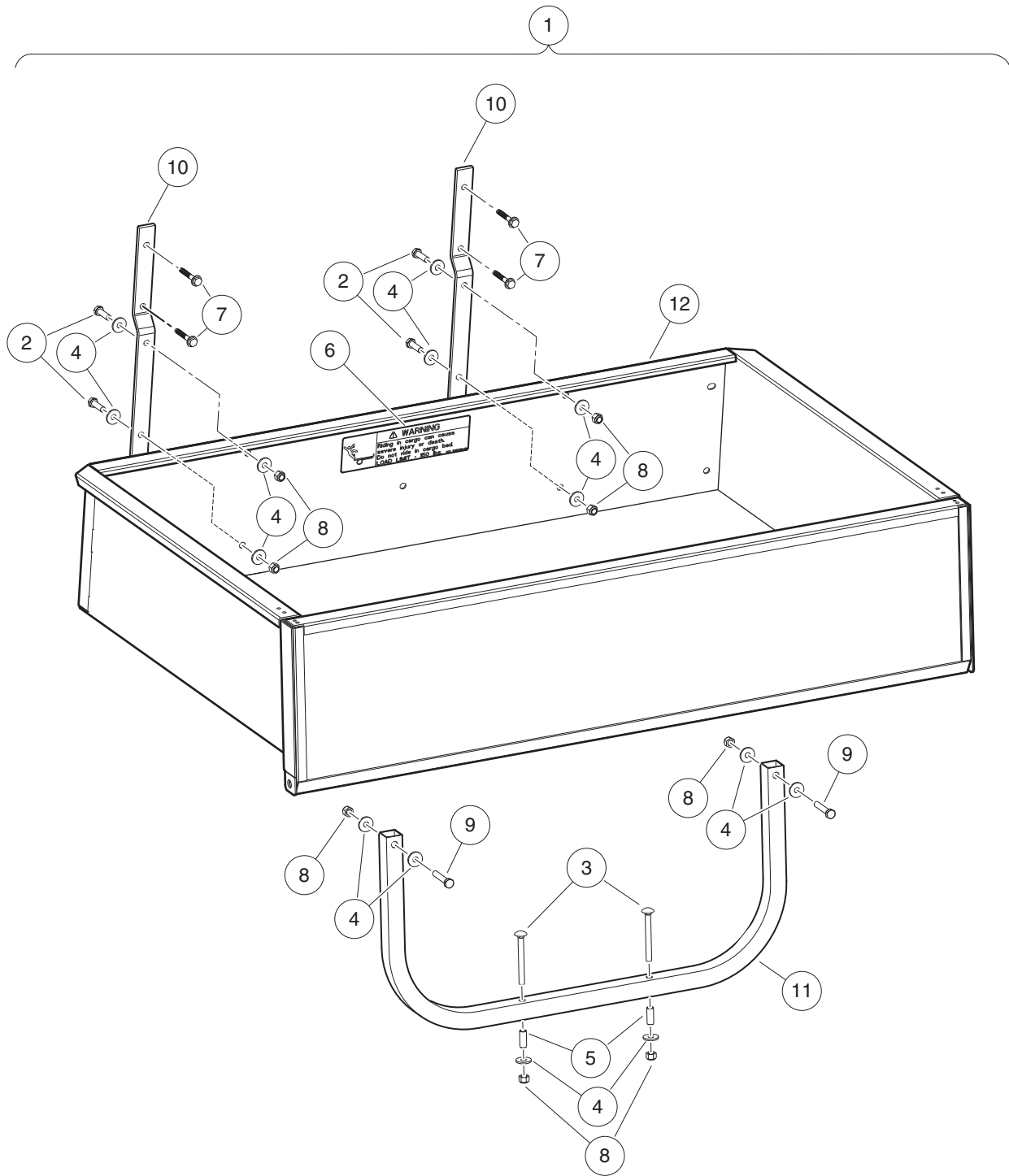


REAR FENDER TRIM

ITEM	PART NO.	DESCRIPTION	QTY
		1 2 3 4	
1	1013351	Fender Trim Kit-black (includes items 2 through 5)	1
2	1010434	Barrel - Plastic	12
3	1013095	Fender Trim Extrusion -black-	2
4	1013099	Nylon,Slotted Set Screw, #4-40 x 1/2	4
5	1013102	Fender Trim Wire	2

1
G
E

1
G
E



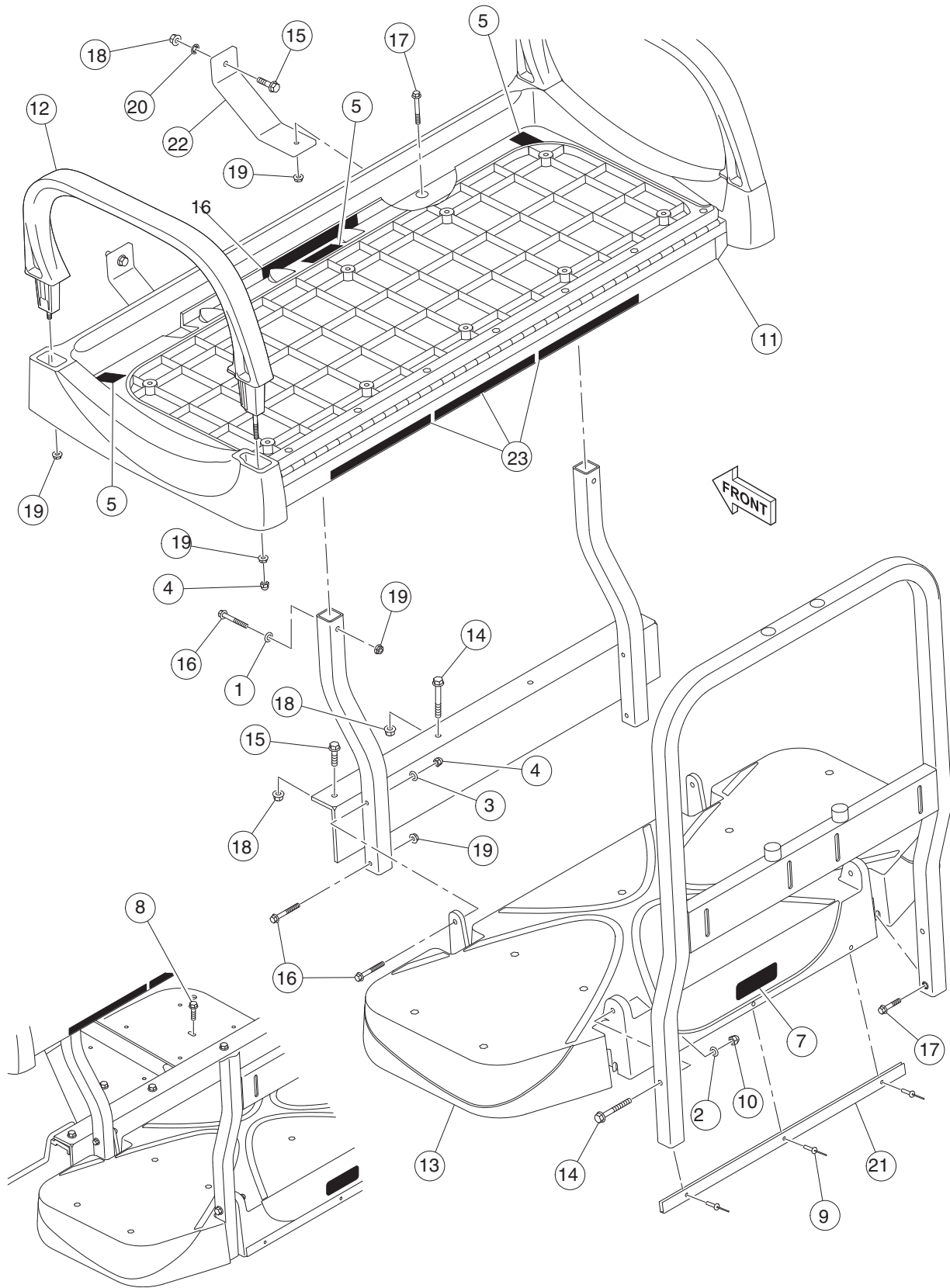
000839-001

BED BOX

ITEM	PART NO.	DESCRIPTION	QTY
		1 2 3 4	
1	AM10622	Kit, Bedbox, Painted (includes items 2 through 12)	1
2	1010934	Screw, 5/16-18 X 1.00 Hex Cap	4
3	1011098	.38-18 Unc-2a-3.0 Carriage Blt	2
4	1011697	Washer, 5/16 Flat	14
5	1017760	Spacer .31 X .38 X .98	2
6	101972001	Decal, D.s. Box Bed Warning (for vehicles with bed box option)	1
7	102076701	Screw, 1/4-20 X 1.75 Hex Sems	4
8	7473	Locknut, 5/16-18 Nylon Insert	8
9	8963	Screw, 5/16-18 X 1.75 Hex-Head Cap	2
10	AM1205602	Support, Seat, lcs, Bed, Ctd	2
11	N/A	Tube, Support, Bedbox, Ptd	1
12	N/A	Asm, Bed Box, Painted	1

1
G
E

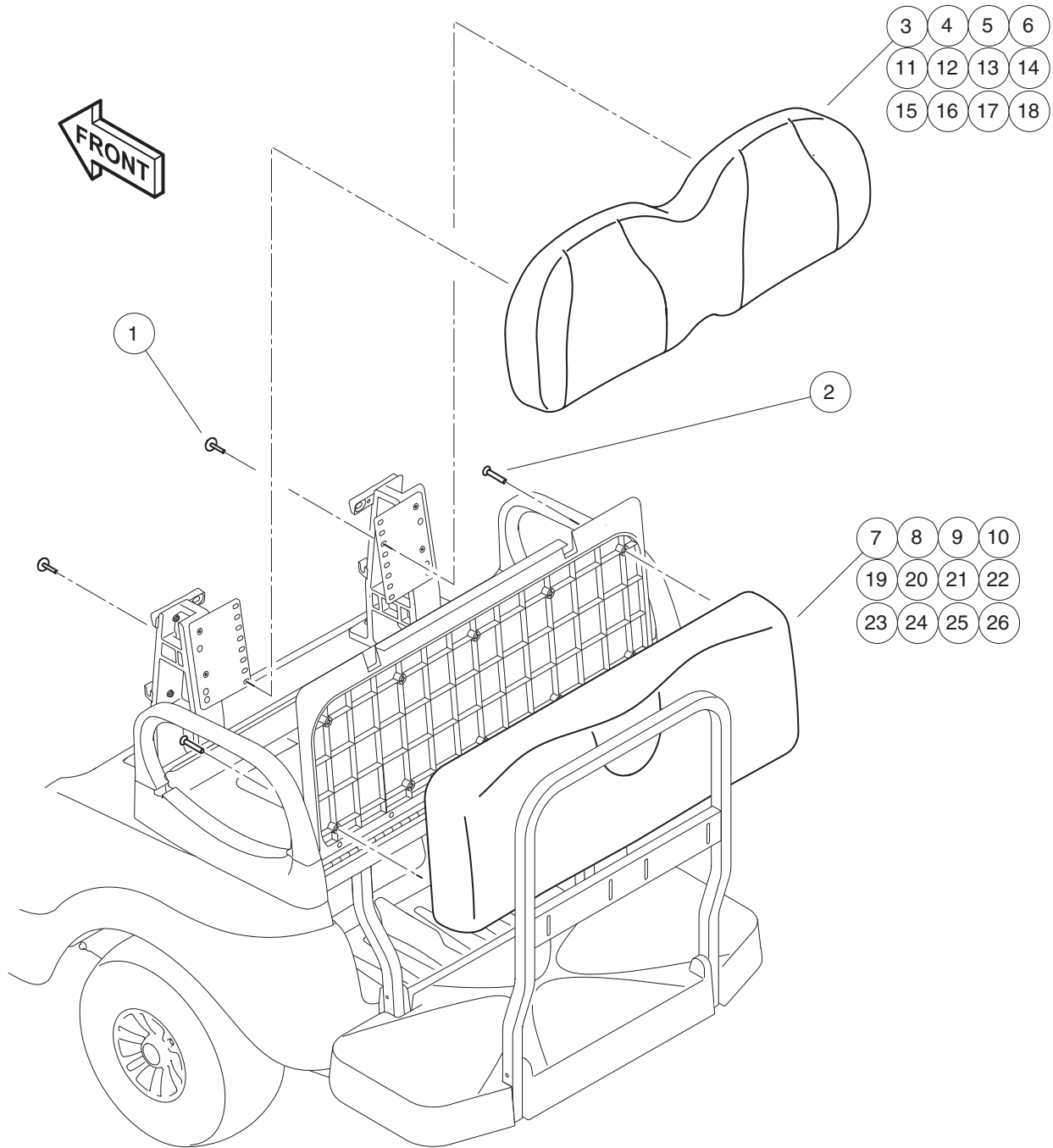
1
G
E



REAR-FACING, SEATFRAME ANDFOOTDECK

ITEM	PART NO.	DESCRIPTION	QTY	1
		1 2 3 4		
1	1011578	Washer, 5/16 Type B Flat	2	G
2	1011697	Washer, 5/16 Flat	2	E
3	1011931	Washer, 1/4 Flat	2	
4	1015091	Nut, 1/4-20 Stainless-Steel Center-Lock Cap	4	
5	101609401	Decal, Crush Area Warning	3	
6	101972001	Decal, D.s. Box Bed Warning (for vehicles with bed box option)	1	
7	102278802	Decal, Club Car, Silver	1	
8	102298720	Screw, M8-1.25x20, Taptite	2	
9	102828701	Rivet, Alum, 3/16"	3	
10	103245301	Nut, Hex, Cp, Mech Def, 5/16-18	2	
11	47564782001	Assy, Seat Base, Dmd, Mx5	1	
12	47564783001	Arm Rest, Mx5	2	
13	47564784001	Assy, Foot Rest, Mx5	1	
14	47568672001	Bolt,5/16-18x2.5 Hx Flg Zn G8	2	
15	47568673001	Bolt,5/16-18x1.25 Hx Flg Zn G5	2	
16	47568674001	Bolt,1/4-20x2.0 Hx Flg Zn G5	6	
17	47568674002	Bolt,1/4-20x1.25 Hx Flg Zn G5	4	
18	47568675001	Nut,5/16-18 Hx Flg Zn Nyloc	6	
19	47568676001	Nut,1/4-20 Hx Flg Zn Nyloc	10	
20	47568677001	Nut, 5/16, Push, Ps	2	
21	47581051001	Stiffener, Foot Rest, Mx5	1	
22	47582894002	Bracket, Seat Mount, Coated	2	
23	SVP370901	Asm, Decal, Warn 800 850 Prec	1	

1
G
E



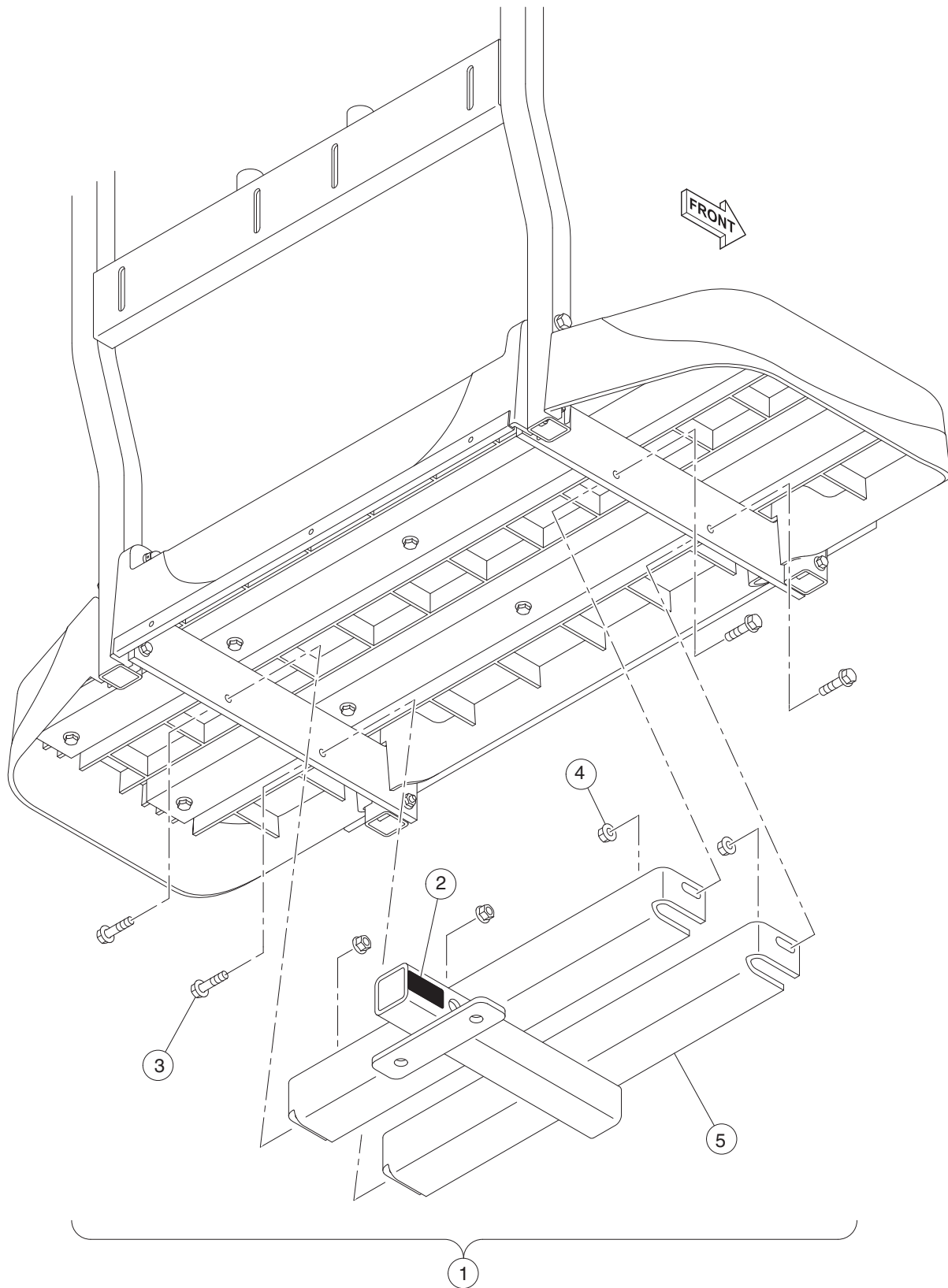
001331-001

REAR-FACING SEAT

ITEM	PART NO.	DESCRIPTION	QTY
		1 2 3 4	
1	47563306001	Screw, M6x1.0x30, Sems, Lp	4
2	47563307001	Screw, Flthd, 1/4-20x1.50, Ss	10
3	47564886021	Asm, Seat Back, Rear, Beige, Service Replacement	1
4	47564886022	Asm, Seat Back, Rear, White, Service Replacement	1
5	47564886024	Asm, Seat Back, Rear, Gray, Service Replacement	1
6	47564886025	Asm, Seat Back, Rear, Black, Service Replacement	1
7	47564887021	Asm, Seat Bottom, Rear, Beige, Service Replacement	1
8	47564887022	Asm, Seat Bottom, Rear, White, Service Replacement	1
9	47564887024	Asm, Seat Bottom, Rear, Gray, Service Replacement	1
10	47564887025	Asm, Seat Bottom, Rear, Black, Service Replacement	1
11	47564888021	Asm, Seat Back, Rear, Lt. Beige, Service Replacement	1
12	47564888022	Asm, Seat Back, Rear, Camello, Service Replacement	1
13	47564888023	Asm, Seat Back, Rear, Off-White, Service Replacement	1
14	47564888024	Asm, Seat Back, Rear, Camello/Lt. Beige, Service Replacement	1
15	47564888025	Asm, Seat Back, Rear, Camello/Off-White, Service Replacement	1
16	47564888026	Asm, Seat Back, Rear, Lt. Beige/Off-White, Service Replacement	1
17	47564888027	Asm, Seat Back, Rear, Black, Service Replacement	1
18	47564888028	Asm, Seat Back, Rear, Black/Gray, Service Replacement	1
19	47564889021	Asm, Seat Bottom, Rear, Lt. Beige, Service Replacement	1
20	47564889022	Asm, Seat Bottom, Rear, Camello, Service Replacement	1
21	47564889023	Asm, Seat Bottom, Rear, Off-White, Service Replacement	1
22	47564889024	Asm, Seat Bottom, Rear, Camello/Lt. Beige, Service Replacement	1
23	47564889025	Asm, Seat Bottom, Rear, Camello/Off-White, Service Replacement	1
24	47564889026	Asm, Seat Bottom, Rear, Lt. Beige/Off-White, Service Replacement	1
25	47564889027	Asm, Seat Bottom, Rear, Black, Service Replacement	1
26	47564889028	Asm, Seat Bottom, Rear, Black/Gray, Service Replacement	1

1
G
E

1
G
E



RECEIVER-HITCH

ITEM	PART NO.	DESCRIPTION	QTY
		1 2 3 4	
1	47583276001	Kit, Receiver Hitch (includes items 2 through 5)	1
2	1011553	Decal, Trailer Hitch	1
3	47568673001	Bolt,5/16-18x1.25 Hx Flg Zn G5	4
4	47568675001	Nut,5/16-18 Hx Flg Zn Nyloc	4
5	47583277001	Asm, Weldment, Receiver Hitch	1

1

G

E

1

G

E

WHEELS AND TIRES

2

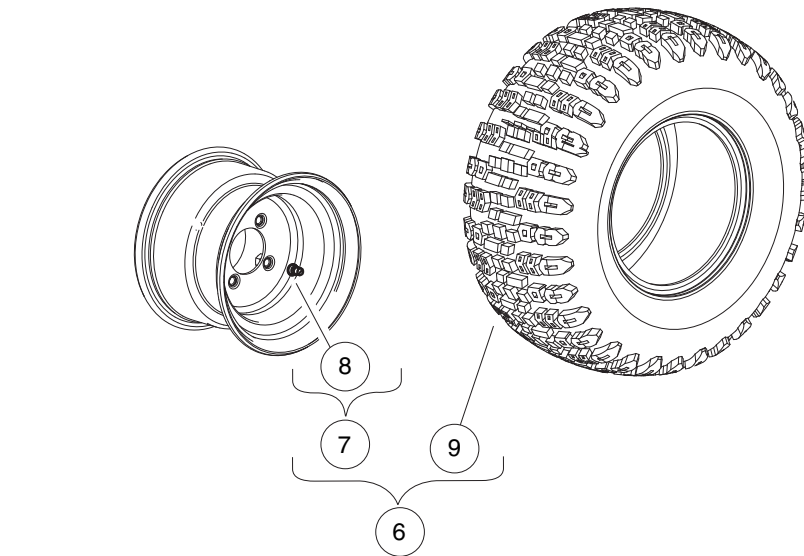
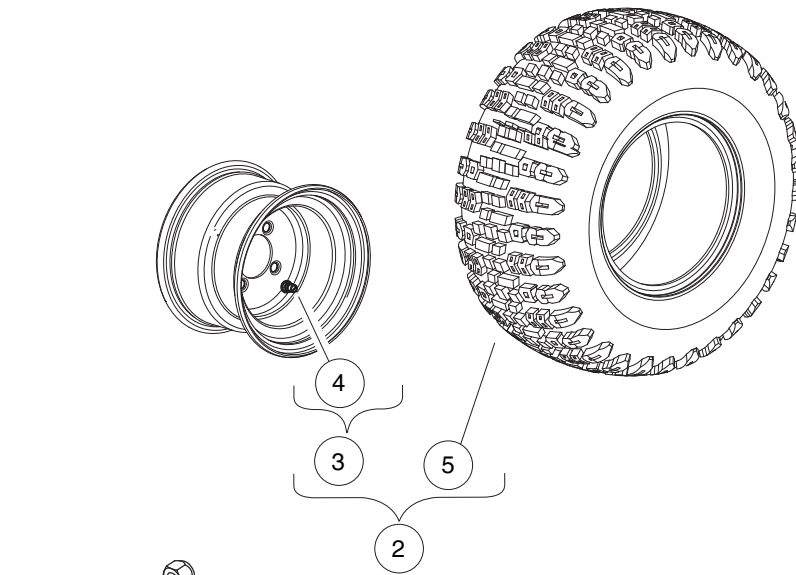
G

E

2

G

E



001323-001

WHEELS AND TIRES, OFF-ROAD – CARRYALL 550 AND XRT850

ITEM	PART NO.	DESCRIPTION	QTY
		1 2 3 4	
1	1010984	.500-20 Unf Lug Nut	16
2	105078807	Asm,whl,or,22x10-10,6pl,front (includes items 3 through 5)	2
3	105079202	Whl,10x7", Gray, 0 Os W/ Vs (includes item 4)	1
4	105078901	Valve Stem, Kenda, Tr 412	1
5	105079801	Tire, Offroad, 22x10-10, 6pl	1
6	105078814	Asm,Tire/Wheel, Off-Road, 22x10-10, 6ply, Gray (includes items 7 through 10)	2
7	105079205	Whl, 10X7, Gray, 1 NOS, W/VS (includes item 8)	2
8	105078901	Valve Stem, Kenda, Tr 412	1
9	105079801	Tire, Offroad, 22x10-10, 6pl	2
10	105216604	Decal, Wheel, K502, Rear	2

2
G
E

2

G

E

DECALS

3

G

E

UNDER 16 **WARNING**
YOUNG DRIVERS INCREASE CHANCE OF DEATH

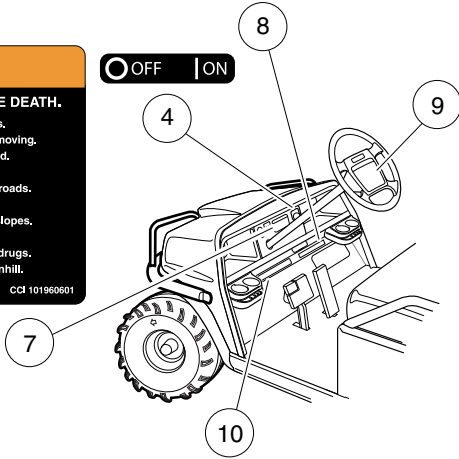
- Young drivers may not be able to control vehicle.
- No drivers younger than 16 years old.

CCI 102075801

WARNING
ROLLOVER OR FALLING OFF MAY CAUSE DEATH.

- Before using vehicle, read operating instructions.
- Remain seated and hold on to seat handle while moving.
- Do not start vehicle until all occupants are seated.
- Two (2) persons per seat maximum.
- Operate from driver side only and not on public roads.
- Keep entire body inside vehicle while moving.
- Drive slowly in turns and straight up and down slopes.
- Do not leave children unattended on vehicle.
- Never operate under the influence of alcohol or drugs.
- Use brakes to reduce speed when coasting downhill.
- Never stand in front of or behind vehicle.

CCI 101960601



OPERATING INSTRUCTIONS

- Read owner's manual and dismount safety warnings prior to driving.
- Study and understand controls.

TO OPERATE

- Turn wheels to desired direction and ensure path is clear.
- Turn key to ON position.
- While stopped, place Forward/Reverse switch in desired position: F—Forward N—Neutral R—Reverse (buzzer will sound)
- Park brake will release and vehicle will start moving when accelerator pedal is pressed.
- Slowly press accelerator pedal to increase speed.
- To stop, release accelerator pedal and press brake pedal.

BEFORE LEAVING

- Press park brake pedal until it locks and holds vehicle.
- Place Forward/Reverse switch in NEUTRAL position.
- Turn key OFF and remove key when not in use.

MOTOR BRAKING

- Electric motor braking provides speed regulation functions.
- For parked vehicle, beeping alarm indicates vehicle roll away.
- In operation, beeping alarm indicates reduction in motor braking.
- Apply brakes to further reduce vehicle speed as required.
- System is activated only when tow switch is in the RUN position.

CCI 100338201

VEHICLE LOADING

Read Owner's Manual and warnings on dash.

- Vehicle rated capacity - 550 lbs. on level surface only. Weight to include passengers, cargo bed load, and gross trailer weight. See Owner's Manual.
- Maximum cargo load - 150 lbs. Weight to include cargo bed load and gross trailer weight.
- Maximum trailer hitch tongue weight - 150 lbs.

Cargo should be evenly spread over the floor of the cargo bed as far forward as possible and secured.

- For vehicle stability, when fully loaded, drive slowly and avoid stopping on or backing down steep hills.
- Avoid top heavy loads. See Owner's Manual.
- When driving on uneven terrain or down steep hills, reduce speed and load.

SVP147801

DANGER / POISON

EXPLOSIVE GASES CAN CAUSE BLINDNESS OR INJURY. SHIELD EYES. NO SPARKS, FLAMES, SMOKING. SULFURIC ACID CAN CAUSE BLINDNESS OR SEVERE BURNS. FLUSH EYES IMMEDIATELY WITH WATER. GET MEDICAL HELP FAST.

KEEP OUT OF THE REACH OF CHILDREN -- DO NOT TIP -- KEEP VENT CAPS TIGHT AND LEVEL

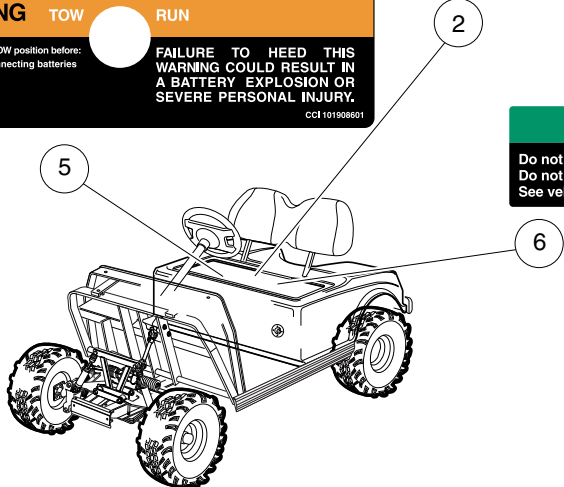
WARNING TOW RUN

Place Tow/Run switch in TOW position before:

- Disconnecting or connecting batteries
- Towing
- Extended storage
- Servicing

FAILURE TO HEED THIS WARNING COULD RESULT IN A BATTERY EXPLOSION OR SEVERE PERSONAL INJURY.

CCI 101908001



NOTICE

Do not operate vehicle without this cover properly installed. Do not direct water stream in this area; will cause damage to components. See vehicle maintenance and service manual before servicing.

CCI 101031501

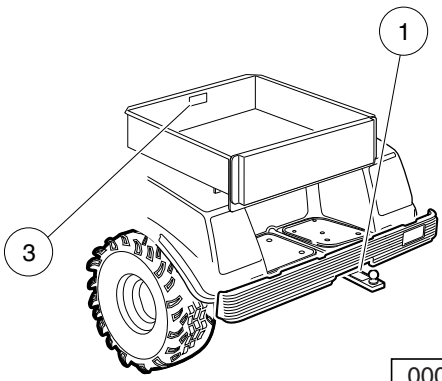
NOTICE
MAXIMUM TONGUE WEIGHT - 150 lbs.

CCI 1011553

WARNING

Riding in cargo bed can cause severe injury or death. Do not ride in cargo bed.

CCI 101553901



000829-001

SAFETY DECALS – ELECTRIC VEHICLES

ITEM	PART NO.	DESCRIPTION	QTY
		1 2 3 4	
1	1011553	Decal, Trailer Hitch	1
2	1013677	Decal, Battery Danger	1
3	101553901	Decal, Bed Load Warning	1
4	101825101	Decal, Off/On	1
5	101908601	Decal, Tow/Run Switch Warning	1
6	101931501	Decal, Component Cover	1
7	101960601	Decal, Dash Warning	1
8	102075801	Decal, Young Driver Warning	1
9	102538201	Decal, Operating Instr, Ele, Comfort Grip	1
10	SVP147801	decal, vehicle loading	1

3
G
E

⚠ WARNING
UNDER 16
YOUNG DRIVERS INCREASE CHANCE OF DEATH

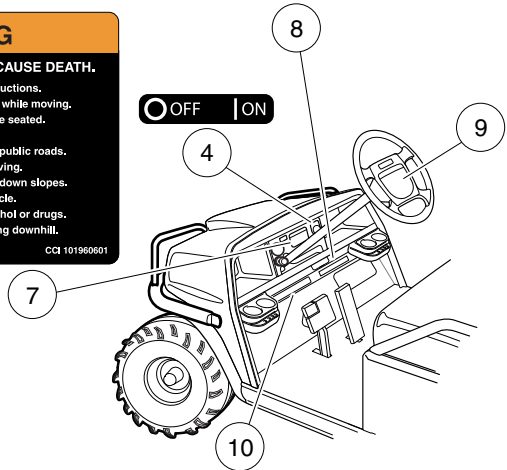
- Young drivers may not be able to control vehicle.
- No drivers younger than 16 years old.

CCI 102075801

⚠ WARNING
ROLLOVER OR FALLING OFF MAY CAUSE DEATH.

- Before using vehicle, read operating instructions.
- Remain seated and hold on to seat handle while moving.
- Do not start vehicle until all occupants are seated.
- Two (2) persons per seat maximum.
- Operate from driver side only and not on public roads.
- Keep entire body inside vehicle while moving.
- Drive slowly in turns and straight up and down slopes.
- Do not leave children unattended on vehicle.
- Never operate under the influence of alcohol or drugs.
- Use brakes to reduce speed when coasting downhill.
- Never stand in front of or behind vehicle.

CCI 101960601



OPERATING INSTRUCTIONS

- Read owner's manual and safety warnings located on dash panel prior to driving.
- Study and understand controls.

TO OPERATE

- Turn wheels to desired direction and ensure path is clear.
- Turn key to ON position.
- While stopped, place shift lever in desired position:
F – Forward N – Neutral R – Reverse (Buzzer will sound)
- Park brake will release and vehicle will start moving when accelerator pedal is pressed.
- Slowly press accelerator pedal to increase speed.
- To stop, release accelerator pedal and press brake pedal.

BEFORE LEAVING

- Press park brake pedal until it locks and holds vehicle.
- Place Forward/Reverse switch in NEUTRAL position.
- Turn key OFF and remove key when not in use.

CCI 10238101

VEHICLE LOADING
Read Owner's Manual and warnings on dash.

- Vehicle rated capacity - 550 lbs. on level surface only. Weight to include passengers, cargo bed load, and gross trailer weight. See Owner's Manual.
- Maximum cargo load - 150 lbs. Weight to include cargo bed load and gross trailer weight.
- Maximum trailer hitch tongue weight - 150 lbs.
- Cargo should be evenly spread over the floor of the cargo bed as far forward as possible and secured.
- For vehicle stability, when fully loaded, drive slowly and avoid stopping on or backing down steep hills.
- Avoid top heavy loads. See Owner's Manual.
- When driving on uneven terrain or down steep hills, reduce speed and load.

SVP147801

⚠ WARNING
Negative frame ground. Can cause severe injury. Do not contact positive (+) battery post or cable to frame. Disconnect negative battery lead first.

⚠ WARNING
Excessive speed. Can cause severe injury or death. Do not tamper with engine governor adjustment.

CCI 1019162-01

⚠ WARNING
GASOLINE EXPLOSION / FIRE.

- Can cause severe injury or death.
- No smoking, sparks, or open flame.
- Stop engine, allow to cool before refueling.
- Turn fuel valve (—) on during operation. (—) off during storage or transport.

CCI 101547901

⚠ WARNING
CAN CAUSE SEVERE INJURY

Rotating parts
HOT manifold & muffler

KEEP CLEAR
CCI 101960501

NOTICE
MAXIMUM TONGUE WEIGHT - 150 lbs.
CCI 1011553

⚠ WARNING
Riding in cargo bed can cause severe injury or death. Do not ride in cargo bed.

CCI 101553901

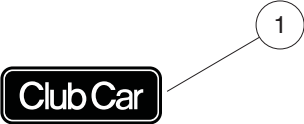
000830-001

SAFETY DECALS – GASOLINE VEHICLES

ITEM	PART NO.	DESCRIPTION	QTY
		1 2 3 4	
1	1011553	Decal, Trailer Hitch	1
2	101547601	Decal, Gasoline Explosion/Fire Warning	1
3	101553901	Decal, Bed Load Warning	1
4	101825101	Decal, Off/On	1
5	101915201	Decal, Frame Ground and Governor Warning	1
6	101960501	Decal, Rotating Parts/Hot Manifold	2
7	101960601	Decal, Dash Warning	1
8	102075801	Decal, Young Driver Warning	1
9	102538101	Decal, Operating Instructions, Gas, Comfort Grip	1
10	SVP147801	decal, vehicle loading	1

3
G
E

3
G
E



000828-002

BADGING DECALS

ITEM	PART NO.	DESCRIPTION	QTY
		1 2 3 4	
1	102046501	Decal, CC Nameplate, Utility	1
2	103389101	Decal, 850, Drv	1
3	103389201	Decal, 850, Pass	1
4	103389301	Decal, 850 E, Drv	1
5	103389401	Decal, 850 E, Pass	1

3

G

E

3

G

E

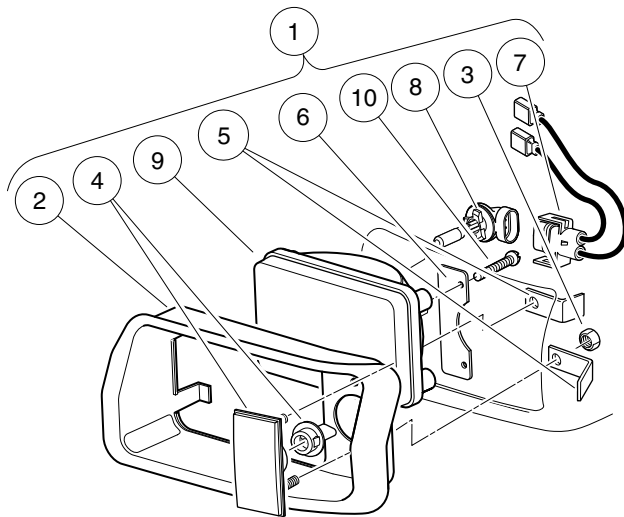
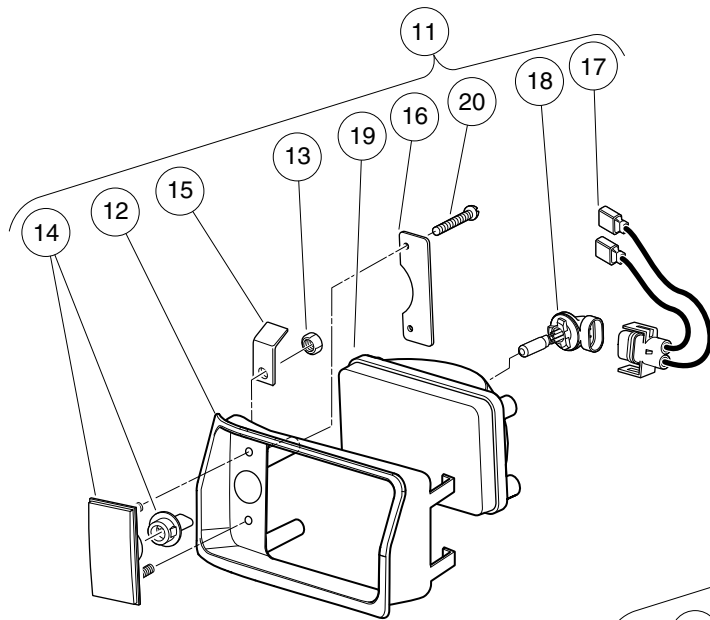
LIGHTS, CONTROLS, AND INDICATORS

4

G

E

4
G
E



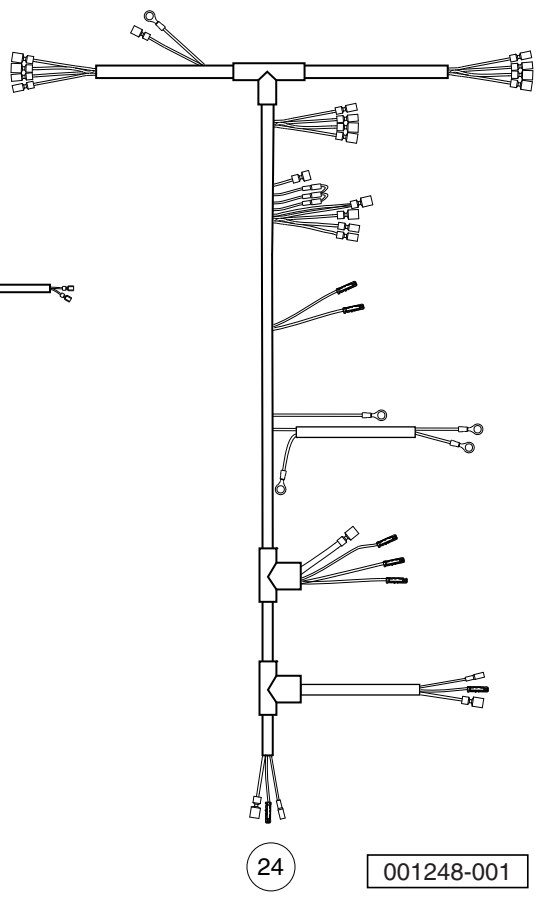
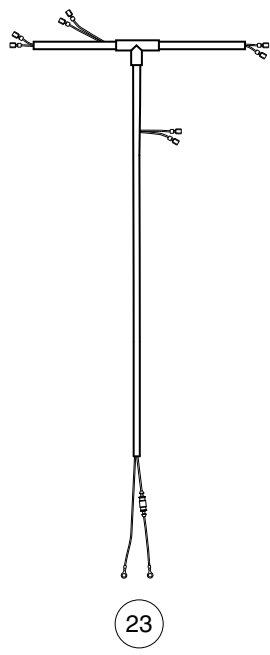
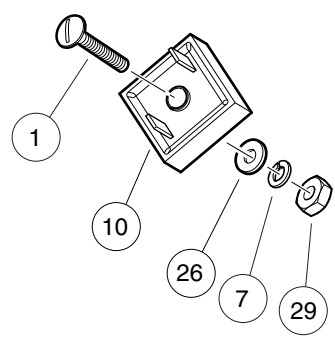
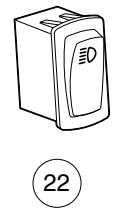
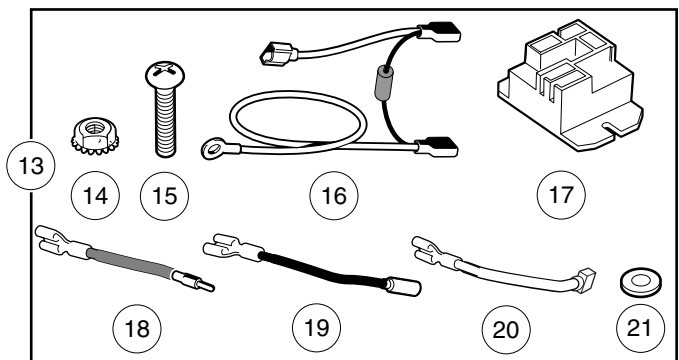
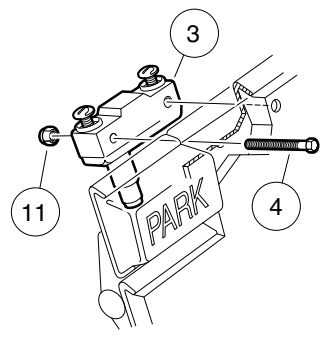
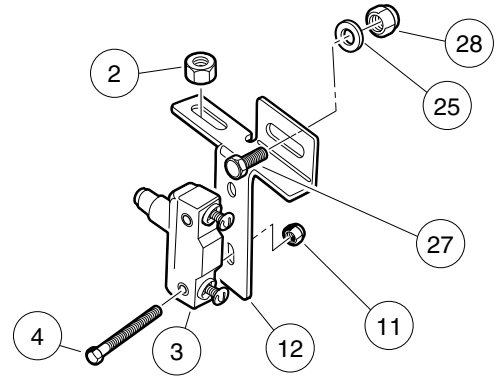
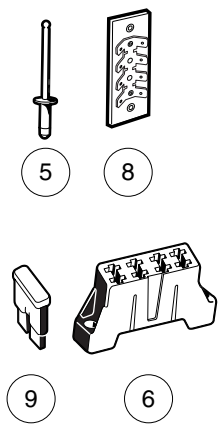
001097-001

HEADLIGHTS

ITEM	PART NO.	DESCRIPTION	QTY
		1 2 3 4	
1	101988001	Headlight Assembly, Driver-Side Single Beam (includes items 2 through 10)	1
2	1016880	Headlight Bezel, Left	1
3	1017	Nut, #10-24 Stainless-Steel Hex Machine	2
4	1017062	Turn Signal Lens Assy	1
5	1017064	Mounting Bracket	2
6	1017065	Retainer, Headlight	1
7	101987901	Connector, Harness Assembly, Headlight	1
8	101988101	Bulb, Headlight	1
9	101988201	Lens, Headlight	1
10	1620	Screw, #10-16 X 0.75 Pan-Head Tap	2
11	101988002	Headlight Assy, Passenger-Side Single Beam (includes items 12 through 20)	1
12	1016879	Headlight Bezel, Right	1
13	1017	Nut, #10-24 Stainless-Steel Hex Machine	2
14	1017062	Turn Signal Lens Assy	1
15	1017064	Mounting Bracket	2
16	1017065	Retainer, Headlight	1
17	101987901	Connector, Harness Assembly, Headlight	1
18	101988101	Bulb, Headlight	1
19	101988201	Lens, Headlight	1
20	1620	Screw, #10-16 X 0.75 Pan-Head Tap	2

4
G
E

4
G
E



001248-001

LIGHTING SYSTEM COMPONENTS – XRT800/810/850 GASOLINE VEHICLES

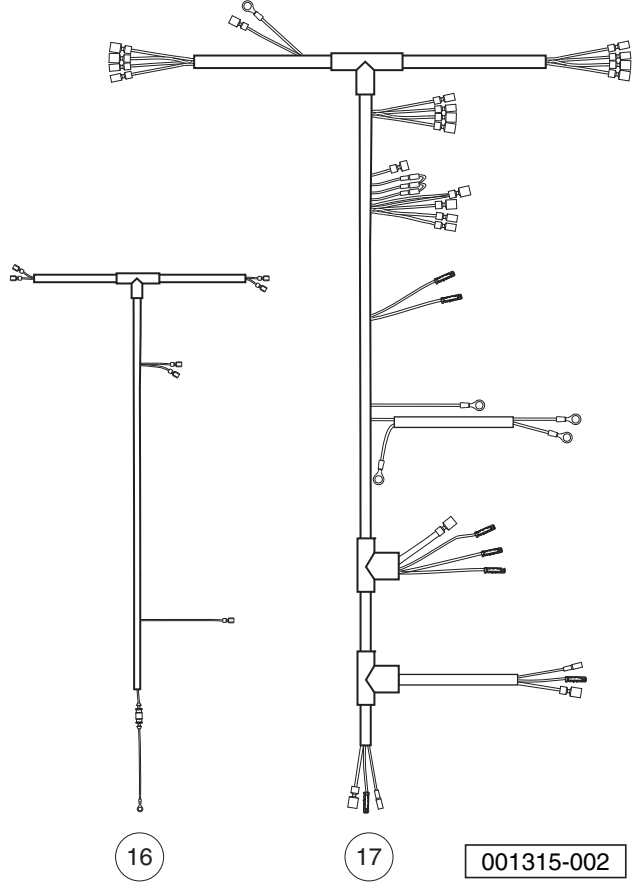
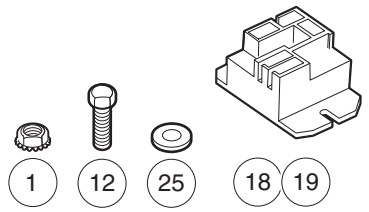
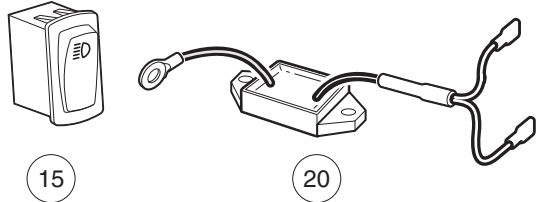
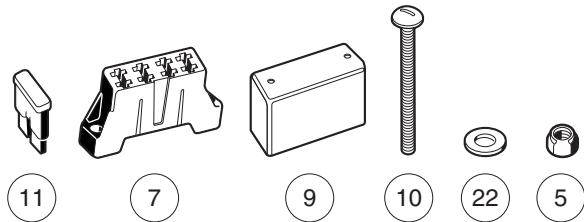
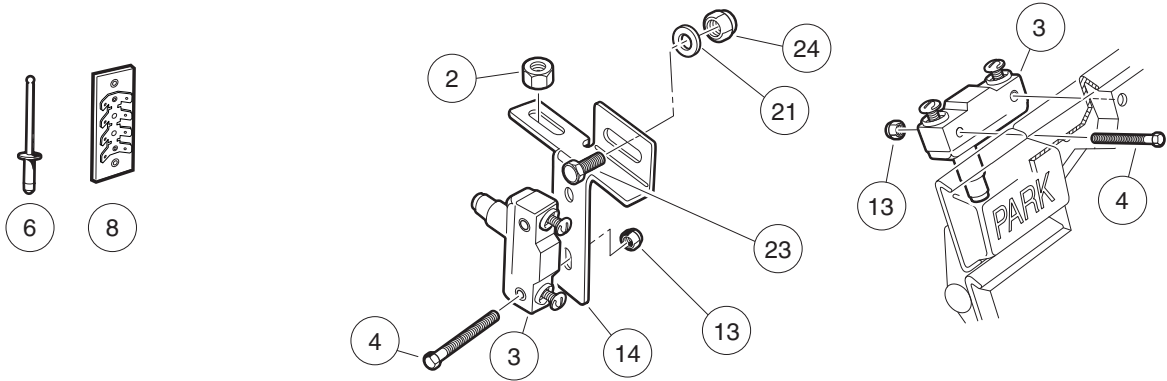
ITEM	PART NO.	DESCRIPTION	QTY
		1 2 3 4	
1	1010909	Screw, #10-32 X 1.25 Rd Hd Mch	1
2	1011280	Locknut, 5/16-18	1
3	1011439	Switch, Limit	2
4	1011557	Screw, #6-32 X 1.00 Hex-Head Machine	4
5	1013357	Rivet, 5/32 Aluminum Pop	2
6	1015741	Fuse Block	1
7	1016	Lockwasher, #10 Split	1
8	1016356	Terminal Block with Insulator	1
9	1016423	Fuse, 20-Amp	3
10	1017721	Limiter, Voltage	1
11	101932201	Locknut, #6-32 Nylon	4
12	101957101	Bracket, Brake Light Switch	1
13	102198701	Brake Relay Kit - 12v (includes items 14 through 21)	1
14	1011229	Locknut, #6-32 Whiz	2
15	1017853	Screw, #6-32 X 0.75 Hex-Head Machine	2
16	101914401	Assembly, Voltage Suppressor	1
17	102199001	Relay, 12-Volt	1
18	102199201	Wire Asm #18 Brown	1
19	102199301	Wire Asm #18 Black	1
20	102199401	Wire Asm #18 Black	1
21	7591	Washer, #6, Flat	2
22	102869401	Switch, Rocker, Light	1
23	103255601	Wire Harness, Headlights-Only, CA, Gas	1
24	103256901	Wire Harness, Lighting, CA2	1
25	1241	Washer, 5/16 Type A Flat	1
26	183	Washer, #10, Type A, Flat	1
27	7173	Screw, 5/16-18 X 0.75, Hex-Head Cap	1
28	7473	Locknut, 5/16-18 Nylon Insert	1
29	7893	Nut, #10-32 Hex	1
Note: Use item 23 for headlights only. NOTE 2: Use item 24 for headlights and taillights. NOTE 3: Items 23 and 24 are used in many different models.			

4

G

E

4
G
E



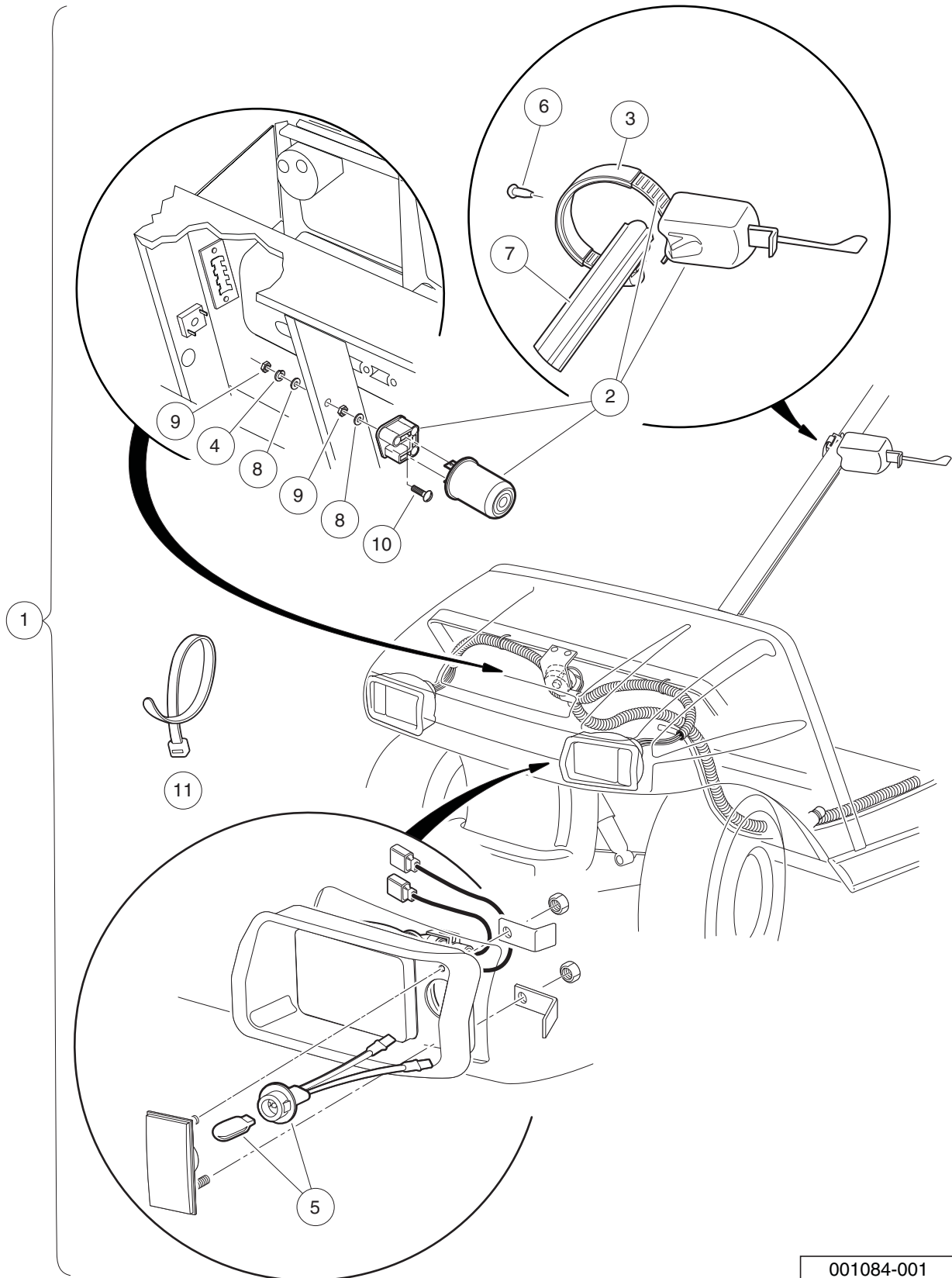
001315-002

LIGHTING SYSTEM COMPONENTS – XRT800/810/850 ELEC. WITH POWERDRIVE CHARGER

ITEM	PART NO.	DESCRIPTION	QTY
		1 2 3 4	
1	1011229	Locknut, #6-32 Whiz	2
2	1011280	Locknut, 5/16-18	1
3	1011439	Switch, Limit	2
4	1011557	Screw, #6-32 X 1.00 Hex-Head Machine	4
5	1012438	Locknut, #10-24 Nylon Insert	2
6	1013357	Rivet, 5/32 Aluminum Pop	2
7	1015741	Fuse Block	1
8	1016356	Terminal Block with Insulator	1
9	1016363	Fuse Block Cover	1
10	1016366	Screw, #10-24 X 3.0 Pan-Head Machine	2
11	1016423	Fuse, 20-Amp	3
12	1017853	Screw, #6-32 X 0.75 Hex-Head Machine	2
13	101932201	Locknut, #6-32 Nylon	4
14	101957101	Bracket, Brake Light Switch	1
15	102869401	Switch, Rocker, Light	1
16	103255701	Wire Harness, Headlights-Only, CA, Electric	1
17	103257001	Wire Harness, Lighting	1
18	103414901	Kit, Relay, 48v 30a W/instr (includes item 19)	1
19	103397901	Relay, Spst No, 48v 30a, Pmt	1
20	103698701	Limiter, Voltage, Plate Mnt	1
21	1241	Washer, 5/16 Type A Flat	1
22	183	Washer, #10, Type A, Flat	4
23	7173	Screw, 5/16-18 X 0.75, Hex-Head Cap	1
24	7473	Locknut, 5/16-18 Nylon Insert	1
25	7591	Washer, #6, Flat	2
<p>Note: Use item 16 for headlights only. NOTE 2: Use item 17 for headlights and taillights. NOTE 3: Items 16 and 17 are used in many different models.</p>			

4
G
E

4
G
E



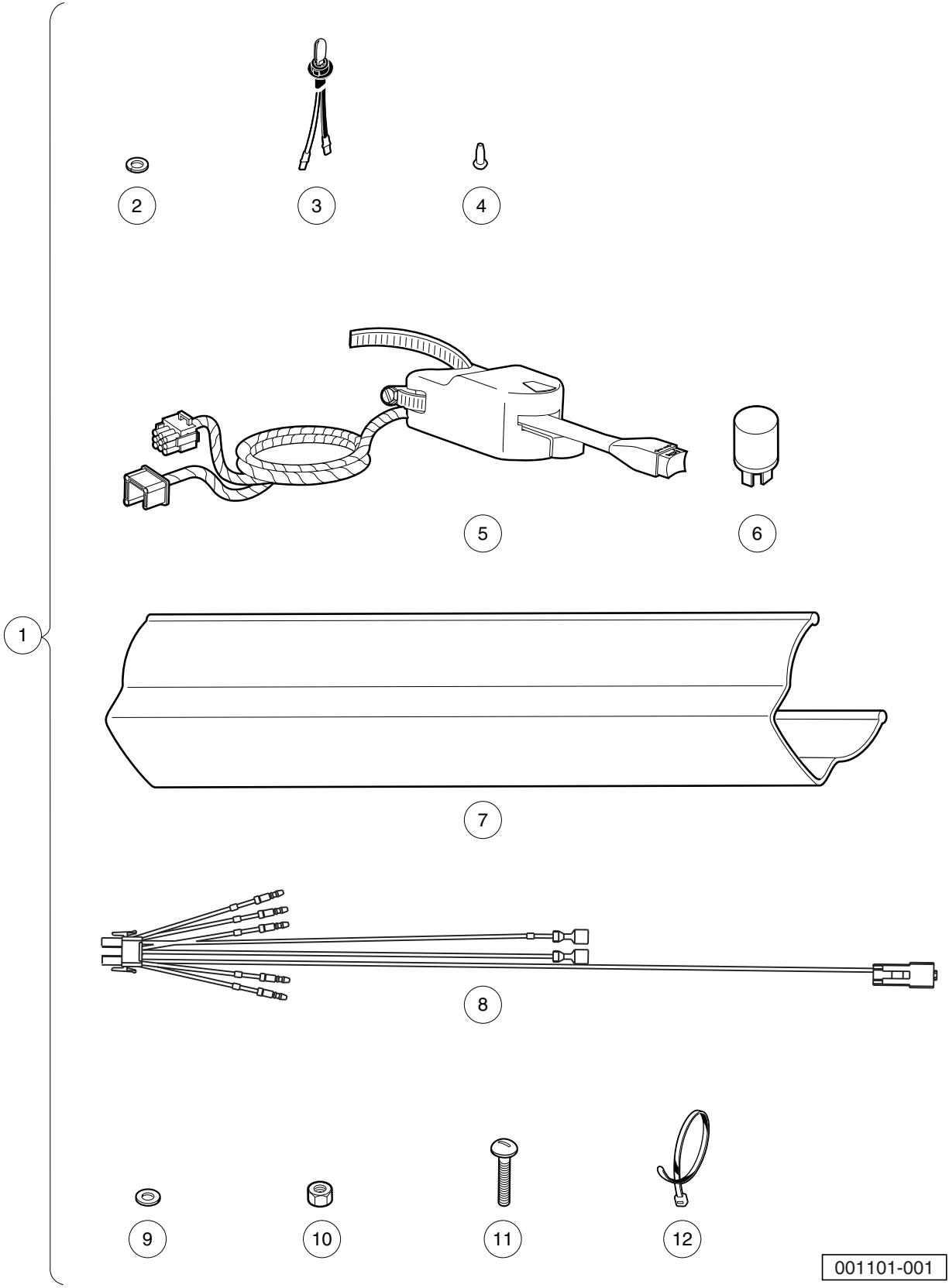
001084-001

TURN SIGNAL KIT – DS AND UTILITY GASOLINE AND ELECTRIC VEHICLES

ITEM	PART NO.	DESCRIPTION	QTY
		1 2 3 4	
1	101707402	Turn Signal Conversion Kit (includes items 2 through 11)	1
2	1011590	Switch Sub-assy, Turn Signal	1
3	N/A	Strap, Extrusion	1
4	1016	Lockwasher, #10 Split	1
5	1017075	Socket & Lamp Assembly	2
6	1017724	Rivet, Plastic	1
7	102529201	Wire Cover, Steering Column	1
8	183	Washer, #10, Type A, Flat	2
9	7893	Nut, #10-32 Hex	2
10	8104	Screw, #10-32 X .75 Rd Hd Mach	1
11	8990	Tie Wrap, 8" Nylon	1

4
G
E

4
G
E



001101-001

TURN SIGNAL (WITH HORN BUTTON) KIT – DS AND UTILITY GAS AND ELECTRIC VEHICLES

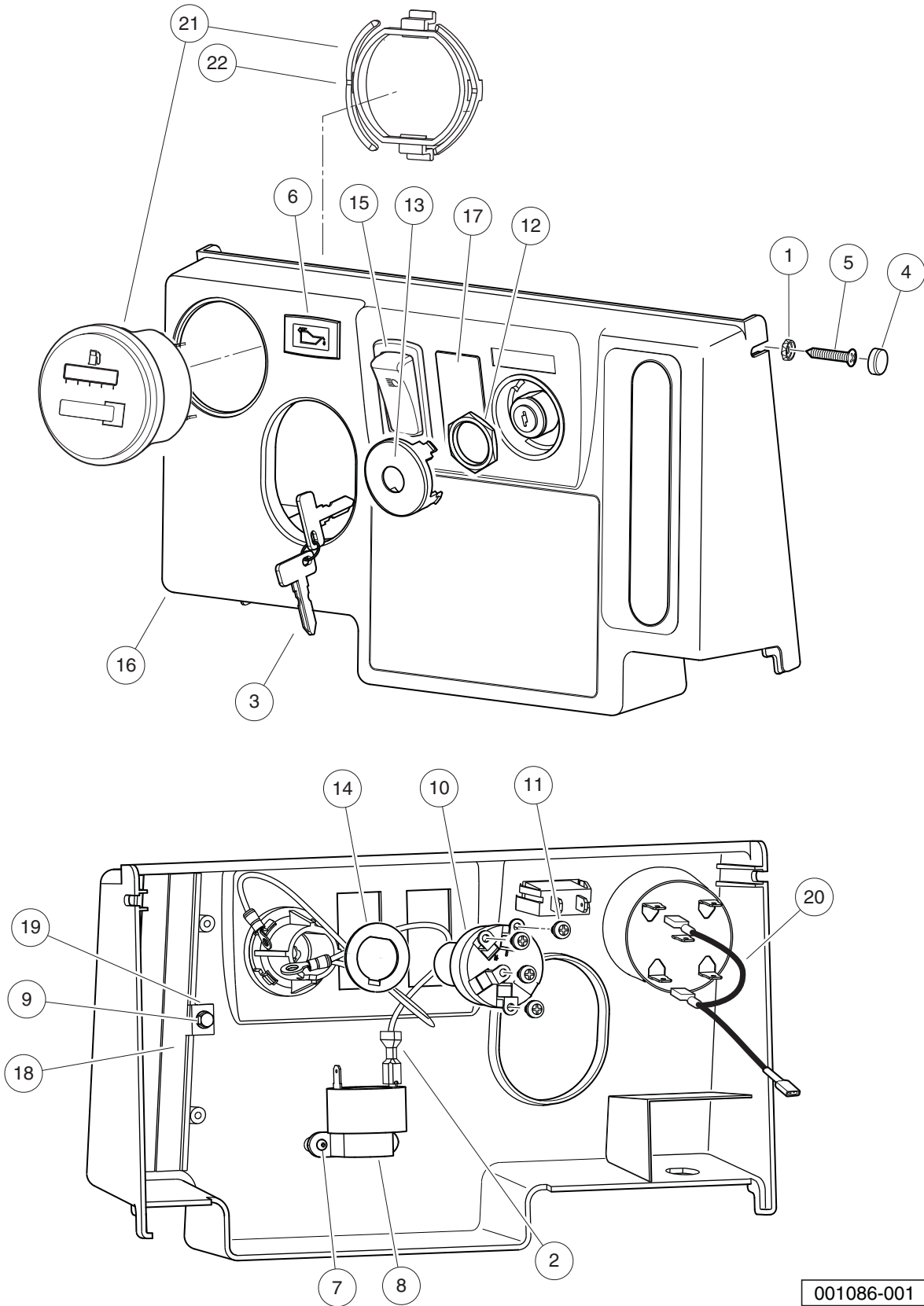
ITEM	PART NO.	DESCRIPTION	QTY
		1 2 3 4	
1	101707405	Kit, Turn Signal-horn (includes items 2 through 12)	1
2	1016	Lockwasher, #10 Split	1
3	1017075	Socket & Lamp Assembly	2
4	1017724	Rivet, Plastic	1
5	102517501	Turn Signal Asm (includes item 6)	1
6	102546401	Flasher Unit, Prec	1
7	102529201	Wire Cover, Steering Column	1
8	103618001	Harness, Jumper, Turn Signal	1
9	183	Washer, #10, Type A, Flat	2
10	7893	Nut, #10-32 Hex	2
11	8104	Screw, #10-32 X .75 Rd Hd Mach	1
12	8990	Tie Wrap, 8" Nylon	1

4

G

E

4
G
E



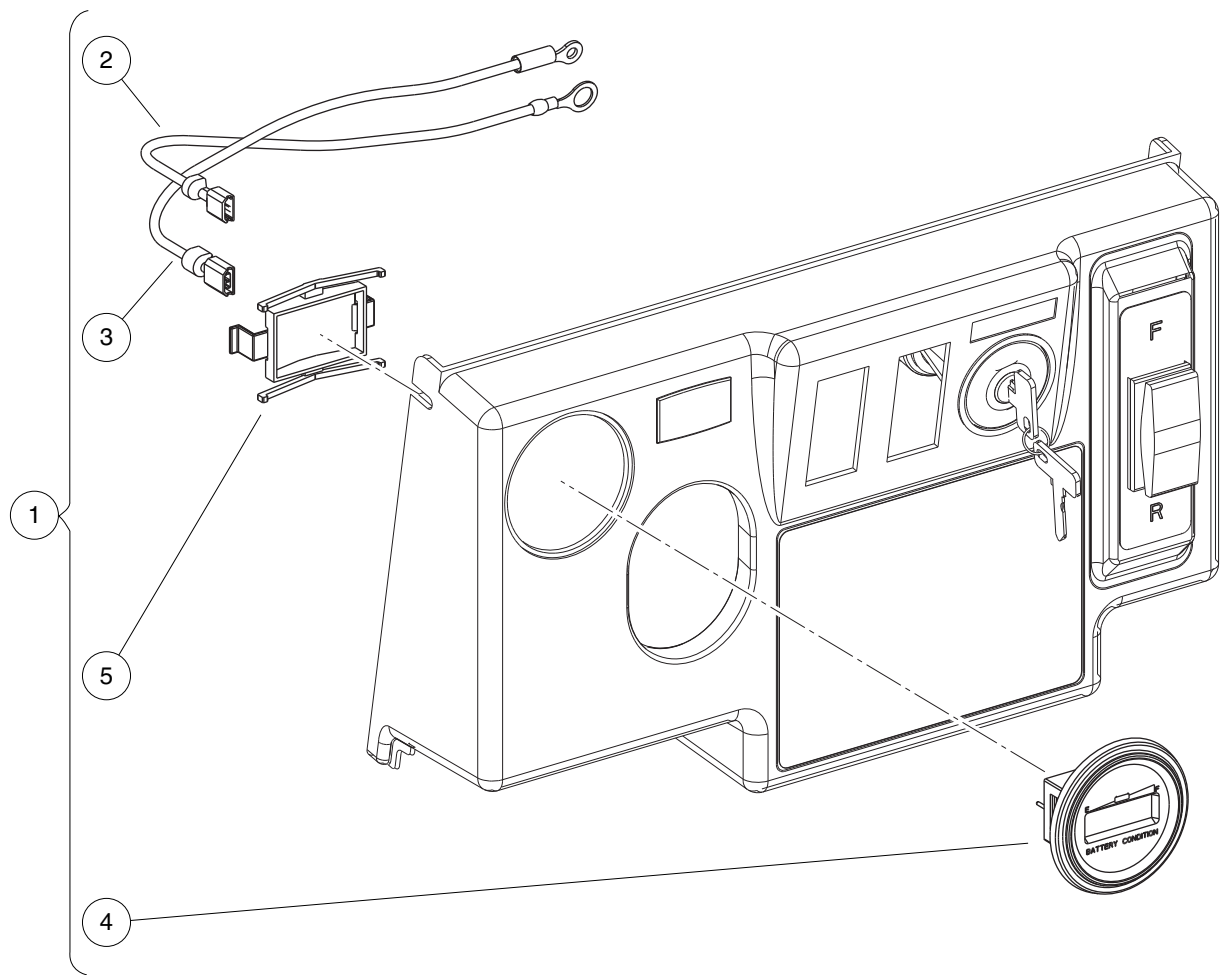
001086-001

INSTRUMENT PANEL – XRT850 GAS

ITEM	PART NO.	DESCRIPTION	QTY
		1 2 3 4	
1	1011382	Washer, #10 Pan-Head Screw	2
2	1012396	Wire Assy #18 Black	1
3	1012505	Keys (set of 2)	1
4	1013494	Cover, Screw Head	2
5	1015528	Screw, #10 x 1-1/4 Phillips Head	2
6	1016630	Light, Oil	1
7	1016849	Screw, #4-24 X 0.33, Pan-Head, Machine	2
8	1016851	Buzzer, Reverse (9-48 VDC)	1
9	101804301	Screw, #8 X 0.500, Hex-Head Hi-Lo	2
10	101826301	Key Switch, 12-Volt, Off/On	1
11	101830601	Screw and Washer Assembly	5
12	101830701	Nut, Key Switch	1
13	101834502	Cap, Black Key Switch	1
14	101851101	Washer, Key Switch	1
15	102869401	Switch, Rocker, Light	1
16	102977001	Panel, Dash, Center, Gas (Instrument Panel)	1
17	103180101	Cover, Hole, Switch, Rocker	1
18	103199001	Brush, Closeout, FNR	2
19	103199101	Washer, Retaining, Brush, FNR	2
20	103348501	Asm, Wire Meter, F-h Jumper	1
21	103348601	Gauge, Fuel-hour, sep Gnd, utl (includes item 22)	1
22	103348201	Clip, Meter, Round	1

4
G
E

4
G
E



000817-002

BATTERY CONDITION INDICATOR – ELECTRIC VEHICLES

ITEM	PART NO.	DESCRIPTION	QTY
		1 2 3 4	
1	103257603	Kit, Gauge, Battery Condition Indicator (includes items 2 through 4)	1
2	103257701	Wire Asm, #18 Black, 2565mm	1
3	103257801	Wire Asm, #16 Red, 330mm	1
4	103354401	Gauge, Battery Cond Ind, Rnd (includes item 5)	1
5	103348202	Clip, Bci, Round	1

4

G

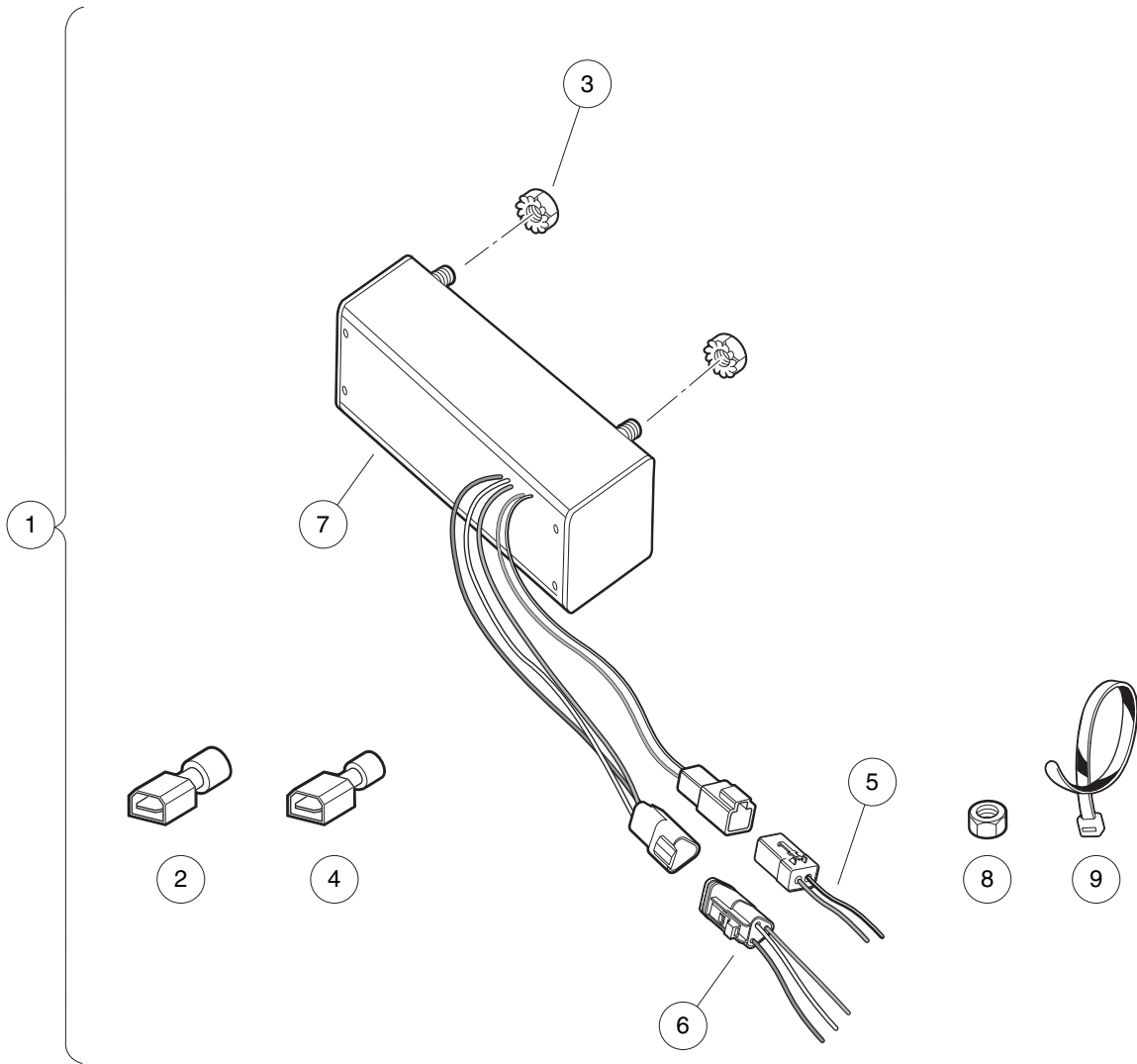
E

INSTRUMENT PANEL – CA6/VILL 6 & 8/TPORTER/XRT850 ELEC. WITH LESTER CHARGER

ITEM	PART NO.	DESCRIPTION	QTY
		1 2 3 4	
1	1011382	Washer, #10 Pan-Head Screw	2
2	1012505	Keys (set of 2)	1
3	1013494	Cover, Screw Head	2
4	1015528	Screw, #10 x 1-1/4 Phillips Head	2
5	1016849	Screw, #4-24 X 0.33, Pan-Head, Machine	2
6	1016851	Buzzer, Reverse (9-48 VDC)	1
7	101826201	Key Switch, On/Off	1
8	101830601	Screw and Washer Assembly	2
9	101830701	Nut, Key Switch	1
10	101834502	Cap, Black Key Switch	1
11	101851101	Washer, Key Switch	1
12	101856002	Switch, Rocker, Single-Pole	1
13	102196901	Dust Cap	1
14	102508701	Light, Battery	1
15	102572401	Nut, Diagnostic Port	1
16	102869401	Switch, Rocker, Light	1
17	102977002	Panel, Dash, Center, Elec (Instrument Panel)	1
18	103180101	Cover, Hole, Switch, Rocker	1
19	103198301	Plug, Hole, Round, 2.0 In	1
20	103218601	Harness, Diagnostic Port	1
21	103354401	Gauge, Battery Cond Ind, Rnd (includes item 22)	1
22	103348202	Clip, Bci, Round	1

4
G
E

4
G
E



001271-002

DC CONVERTER (ISOLATED) – IQ SYSTEM ELECTRIC VEHICLE

ITEM	PART NO.	DESCRIPTION	QTY
		1 2 3 4	
1	102357501	Kit, DC/DC Converter (includes items 2 through 9)	1
2	1016365	Terminal, 1/4" Male Quick Disconnect	1
3	101835601	Locknut, 1/4-20 Hex Whiz	2
4	N/A	Terminal, 1/4" Male Quick Disconnect	1
5	102354901	Harness, Dc Converter - 12v	1
6	102355001	Harness, Dc Converter - 48v	1
7	103700301	Converter, Dc/dc, Isoltd	1
8	1242	Nut, 5/16-18 Hex	1
9	8990	Tie Wrap, 8" Nylon	4

4

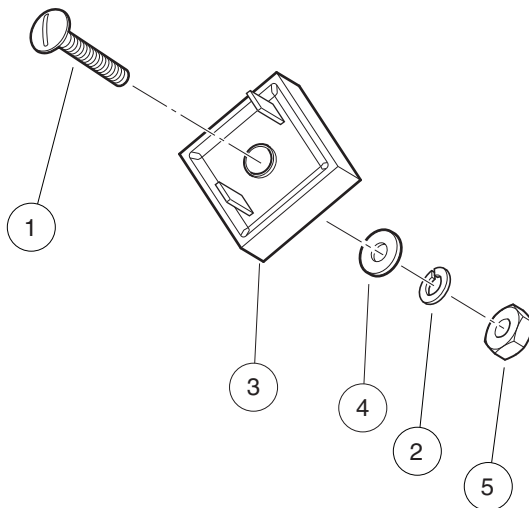
G

E

4

G

E



001091-001

VOLTAGE LIMITER – GASOLINE VEHICLE

ITEM	PART NO.	DESCRIPTION	QTY
		1 2 3 4	
1	1010909	Screw, #10-32 X 1.25 Rd Hd Mch	1
2	1016	Lockwasher, #10 Split	1
3	1017721	Limiter, Voltage	1
4	183	Washer, #10, Type A, Flat	1
5	7893	Nut, #10-32 Hex	1

4

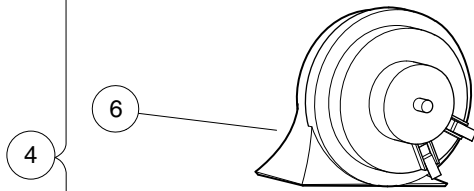
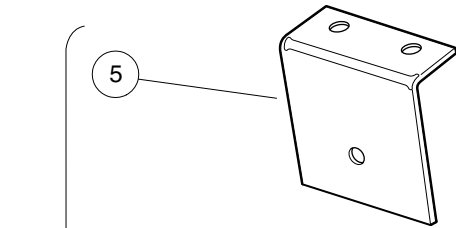
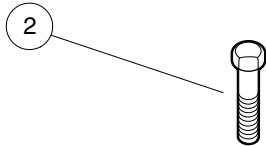
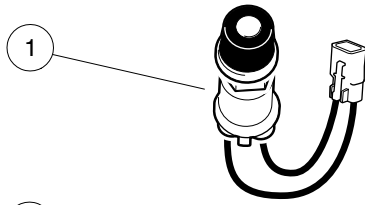
G

E

4

G

E



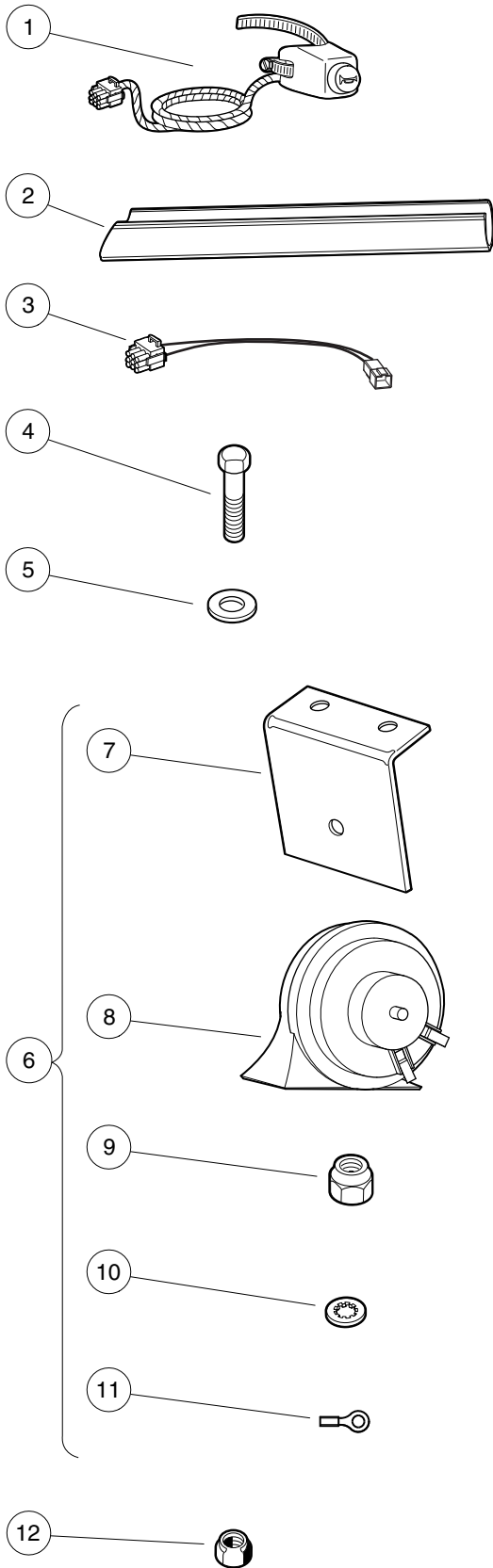
001095-001

HORN

ITEM	PART NO.	DESCRIPTION	QTY
		1 2 3 4	
1	101969701	Horn Button and Wire Assembly	1
2	304	Screw, 1/4-20 X 1.0 Hex-Head Cap	2
3	332	Washer, 1/4 Type A Narrow Flat	2
4	4029	Horn (includes items 5 through 9)	1
5	1011825	Horn Bracket	1
6	1014530	Horn, 12-VDC	1
7	101955101	Nut, M6 Hex	1
8	7820	Washer, 5/16 Internal-Tooth	1
9	8294	5/16 Ring Term.	1
10	8233	Locknut, 1/4-20, Nylon Insert	2

4
G
E

4
G
E



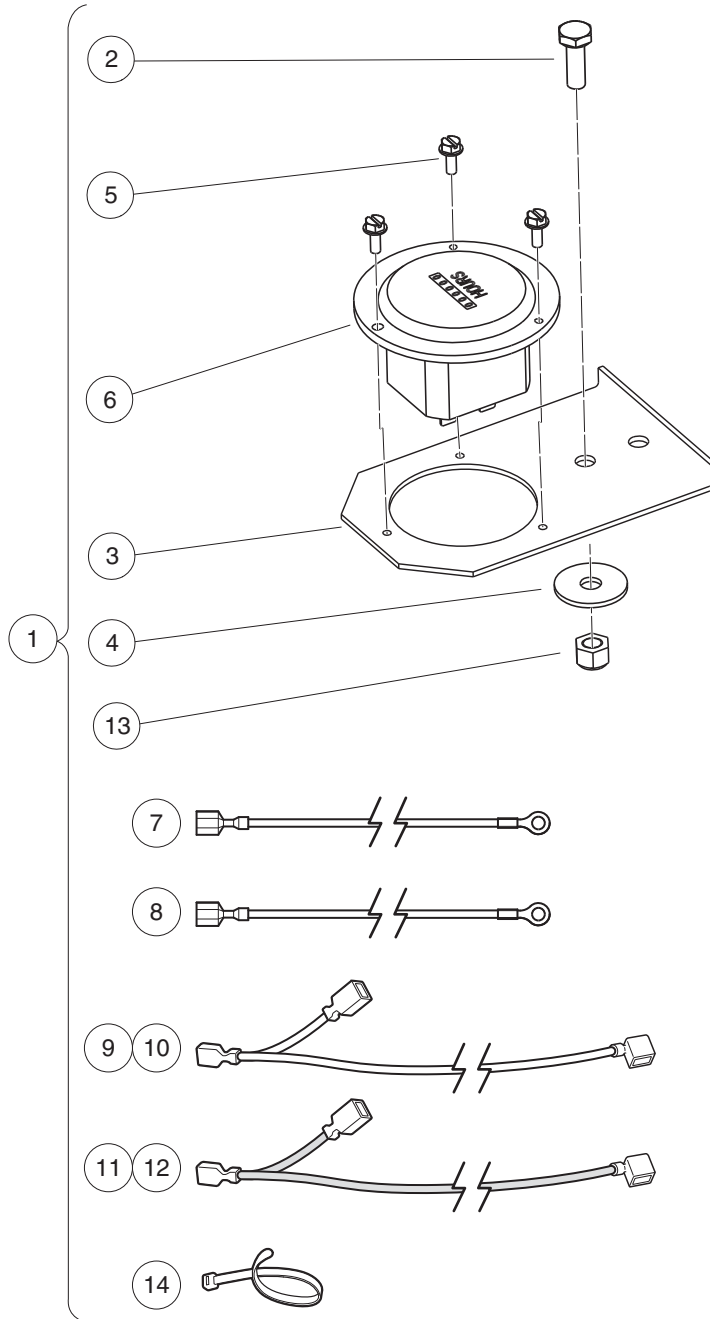
001095-002

HORN WITH COLUMN-MOUNTED BUTTON

ITEM	PART NO.	DESCRIPTION	QTY
		1 2 3 4	
1	102517601	Subasm, Horn Button Harness	1
2	102529203	Wire Cover-steer Column 304 Mm	1
3	103618101	Harness, Jumper, Horn	1
4	304	Screw, 1/4-20 X 1.0 Hex-Head Cap	2
5	332	Washer, 1/4 Type A Narrow Flat	2
6	4029	Horn (includes items 7 through 11)	1
7	1011825	Horn Bracket	1
8	1014530	Horn, 12-VDC	1
9	101955101	Nut, M6 Hex	1
10	7820	Washer, 5/16 Internal-Tooth	1
11	8294	5/16 Ring Term.	1
12	8233	Locknut, 1/4-20, Nylon Insert	2

4
G
E

4
G
E



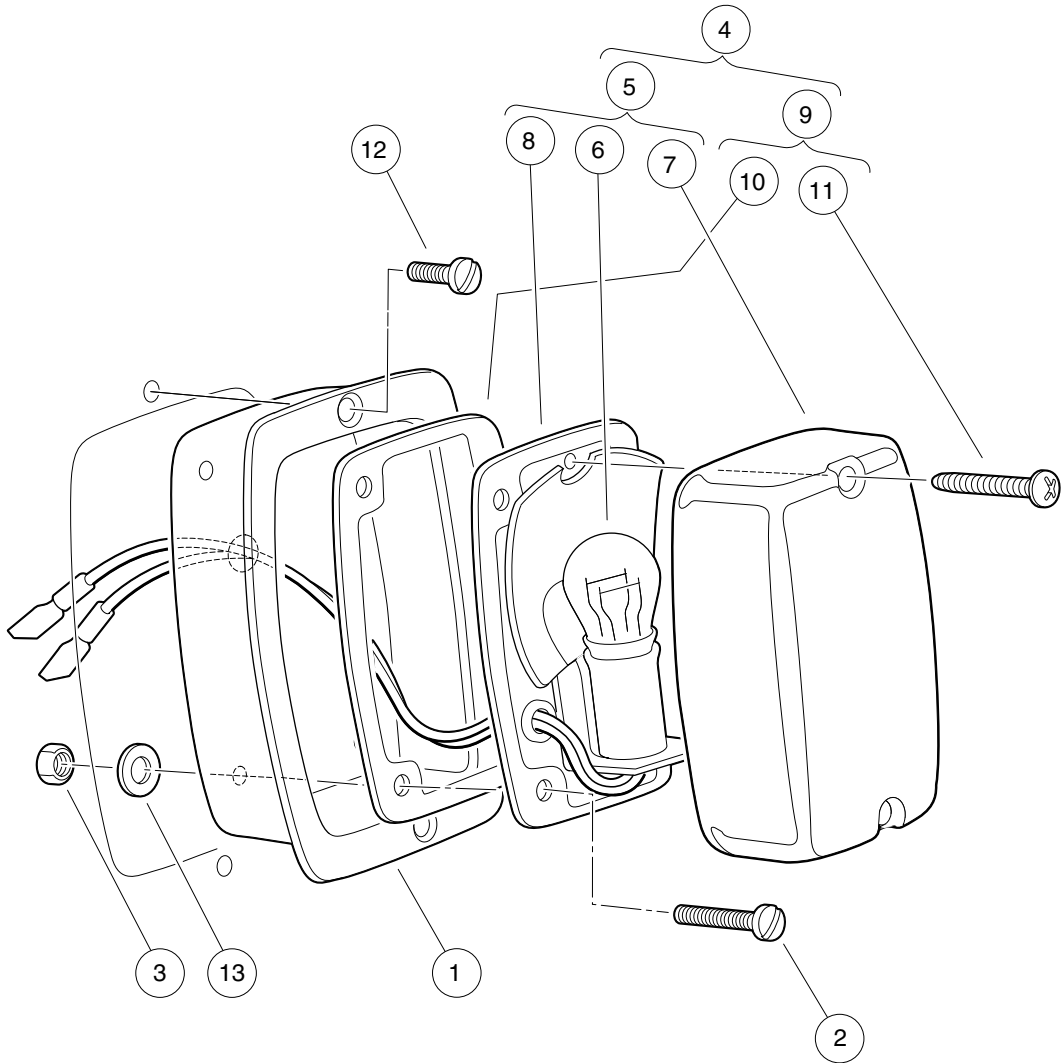
001096-001

HOUR METER – IQ SYSTEM AND IQ PLUS ELECTRIC VEHICLES

ITEM	PART NO.	DESCRIPTION	QTY
		1 2 3 4	
1	1013579	Kit, Hour Meter (includes items 2 through 14)	1
2	1012285	Screw, 1/4 X 0.625 Hex-Head	1
3	1013547	Hour Meter Bracket	1
4	1014306	Washer, 1/4" Type B Flat	1
5	1014540	Screw, #6-32 X 3/8 Taptite	3
6	N/A	Hour Meter	1
7	101881501	Wire Assembly Black #18	1
8	101881601	Wire Assembly Red #18	1
9	101997802	Wire Assembly #18 Yellow	1
10	101997803	Wire Asm #18 Yellow 31"	1
11	101997902	Wire Assembly #18 Red	1
12	101997903	Wire Asm # 18 Red 31"	1
13	8233	Locknut, 1/4-20, Nylon Insert	1
14	8990	Tie Wrap, 8" Nylon	1
		<p>Note: The kit includes components that apply to multiple vehicles. The installation instructions will specify which components are required for a specific model. After installation, discard components not used.</p>	

4
G
E

4
G
E



000348-006

TAIL LIGHTS

ITEM	PART NO.	DESCRIPTION	QTY
		1 2 3 4	
1	1011497	Bezel, Taillight	1
2	1011557	Screw, #6-32 X 1.00 Hex-Head Machine	1
3	1011558	Nut, #6-32 Hex	1
4	1017035	Taillight Assembly (includes items 5 through 9)	1
5	N/A	Light, Tail (includes items 6 through 8)	1
6	1011582	Taillight Bulb	1
7	1011843	Taillight Lens	1
8	N/A	Base, Taillight	1
9	1017699	Hardware Kit, Tail Light (includes items 10 and 11)	1
10	N/A	Gasket	1
11	N/A	Screw, Tapered	2
12	102915601	Plastic Rivet - Tuflock	1
13	7591	Washer, #6, Flat	1

4
G
E

4

G

E

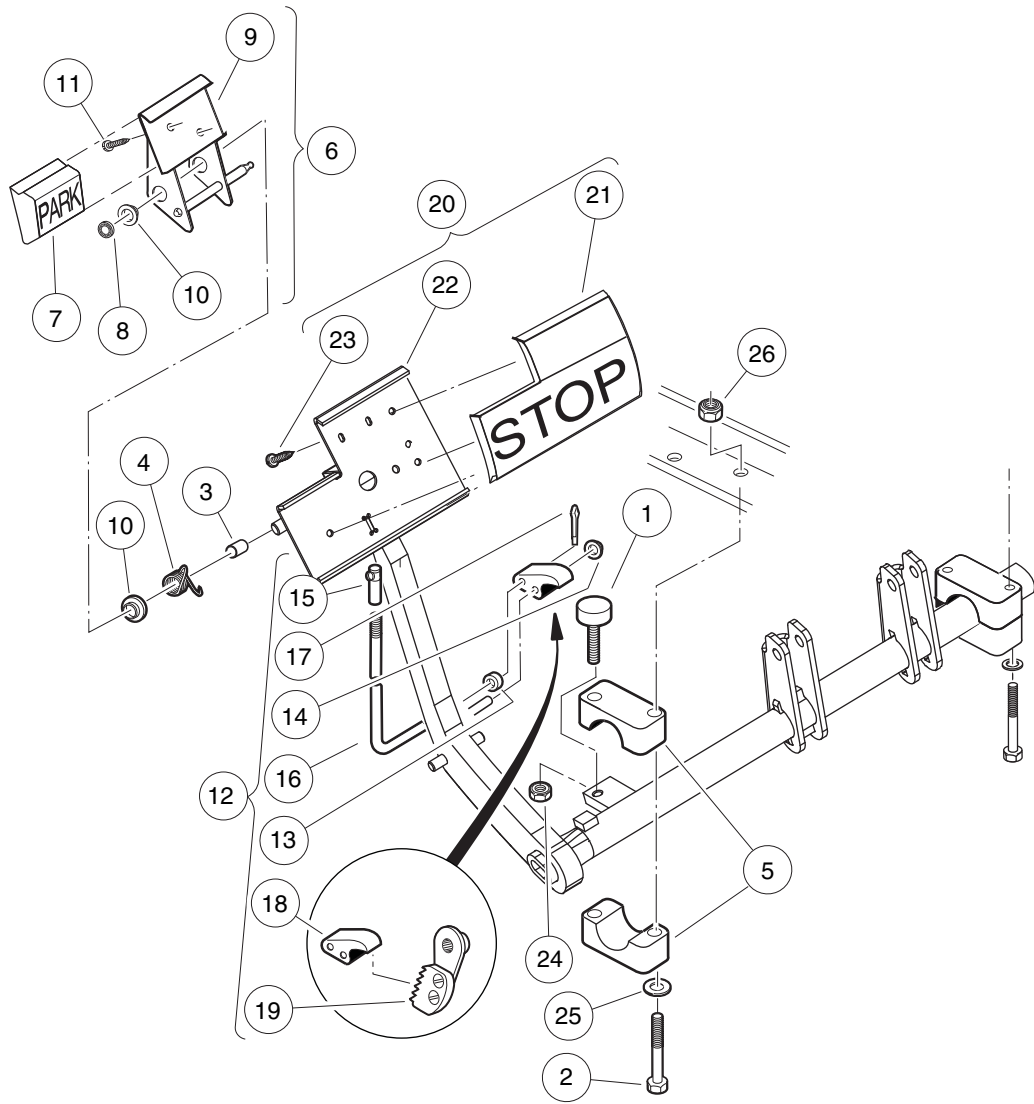
BRAKES, PEDALS, AND CABLE ASSEMBLIES

5

G

E

5
G
E



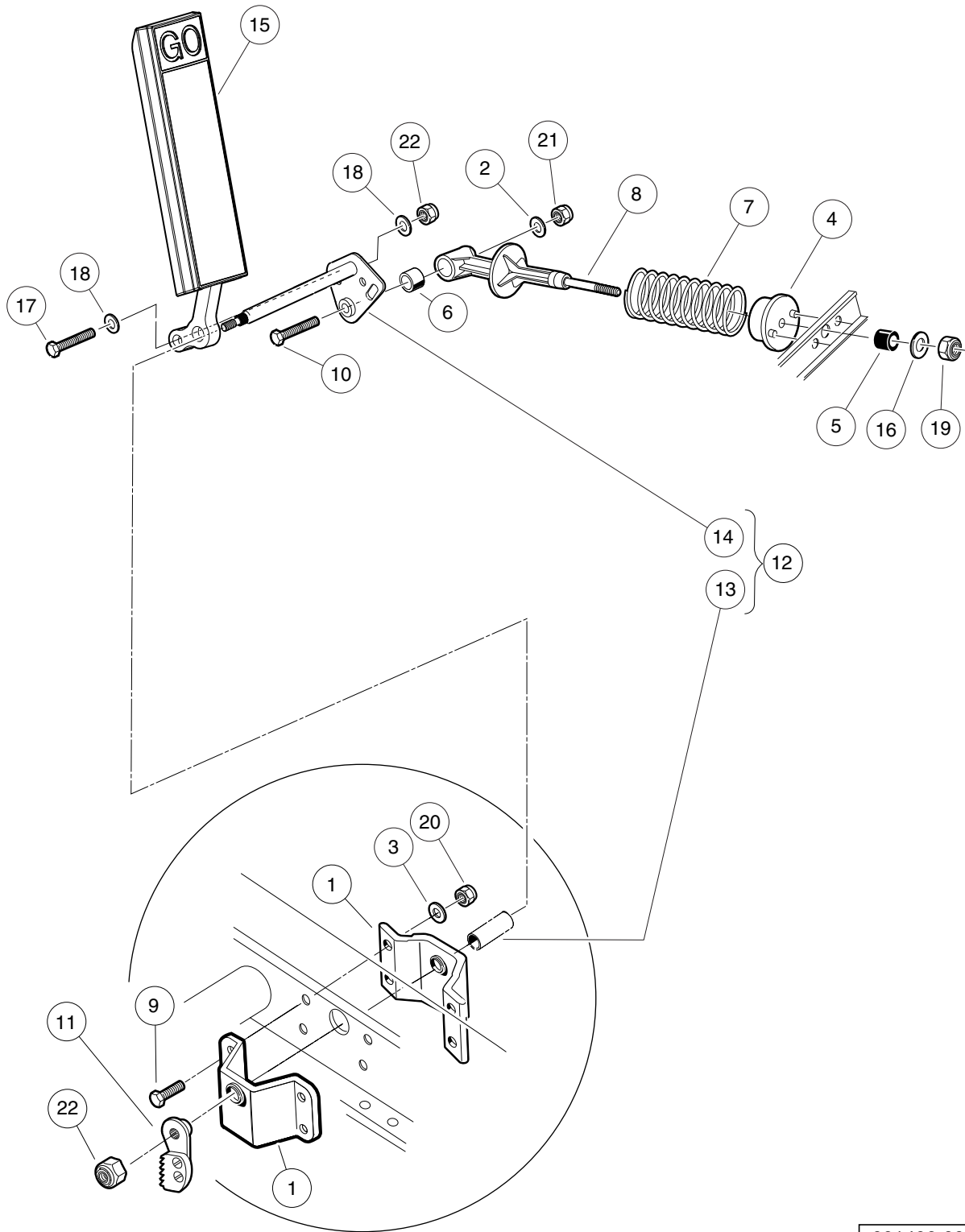
001405-002

BRAKE PEDAL ASSEMBLY – VEHICLES WITH 2-WHEEL BRAKES AND 4-WHEEL BRAKES

ITEM	PART NO.	DESCRIPTION	QTY
		1 2 3 4	
1	1010878	Bumper, Rubber	1
2	1010921	Screw, 5/16-18 X 2.50 Hex Cap	4
3	1010927	Hill Brake Spacer	1
4	1010933	Spring, Hill Brake Torsion	1
5	1011402	Package, Brake Mounting Block	1
6	1011418	Kit, Hill Brake Pedal (includes items 7 through 11)	1
7	1013870	Pad, Hill Brake	1
8	1013876	Pushnut, 3/8	1
9	N/A	Hill Brake Weld Assembly	1
10	1032	Bushing, Nylon	2
11	7716	Screw, #10-16 Type AB, Sheet Metal	2
12	101187702	Kit, Hill Brake Latch (includes items 13 through 19)	1
13	1010805	Sleeve, Hill Brake Rod	1
14	1010877	Pushnut, 3/8	1
15	1010932	Ball Joint, 1/4-28	1
16	N/A	Rod, Hill Brake	1
17	1017029	Pin, Cotter, 7/64 x 1/2 Stainless-Steel	1
18	N/A	Pawl, Hill Brake	1
19	101918501	Ratchet Assembly	1
20	101878201	Brake Pedal Kit (includes items 21 through 23)	1
21	1013869	Pad, Brake Pedal	1
22	N/A	Weldment, Brake Pedal, 2wr Std	1
23	7716	Screw, #10-16 Type AB, Sheet Metal	3
24	1028	Nut, 1/4-20 Hex	1
25	1241	Washer, 5/16 Type A Flat	4
26	7473	Locknut, 5/16-18 Nylon Insert	4

5
G
E

5
G
E



001406-001

ACCELERATOR PEDAL ASSEMBLY – ELECTRIC VEHICLES

ITEM	PART NO.	DESCRIPTION	QTY
		1 2 3 4	
1	1011694	Accelerator Bracket and Bearing Assembly	2
2	1011931	Washer, 1/4 Flat	1
3	1014007	Washer, 1/4, Flat	4
4	1017378	Cup, Spring	1
5	1017380	Bumper, Spring Return	1
6	1017424	Bearing, Pivot Support	1
7	101796201	Spring, Accelerator Return	1
8	101817401	Retainer, Spring	1
9	101861901	Screw, 1/4-20 X 1.125 Hex Cap	4
10	101862001	Screw, 1/4-20 X 1.500 Flange	1
11	101918501	Ratchet Assembly	1
12	102026001	Kit, Accelerator Pivot Rod Assembly (includes items 13 and 14)	1
13	101919801	Spacer, Accelerator	1
14	102158901	Pivot Rod Weldment	1
15	103865101	Pedal, Accel, Insert	A/R
16	1241	Washer, 5/16 Type A Flat	1
17	1624	Screw, 3/8-16 X 1.50, Hex-Head Cap	1
18	334	Washer, 3/8, Type A, Flat	2
19	7473	Locknut, 5/16-18 Nylon Insert	1
20	8233	Locknut, 1/4-20, Nylon Insert	4
21	8717	Locknut, Nylon Insert, 1/4-28	1
22	8754	Locknut, 3/8-16 Hex	2

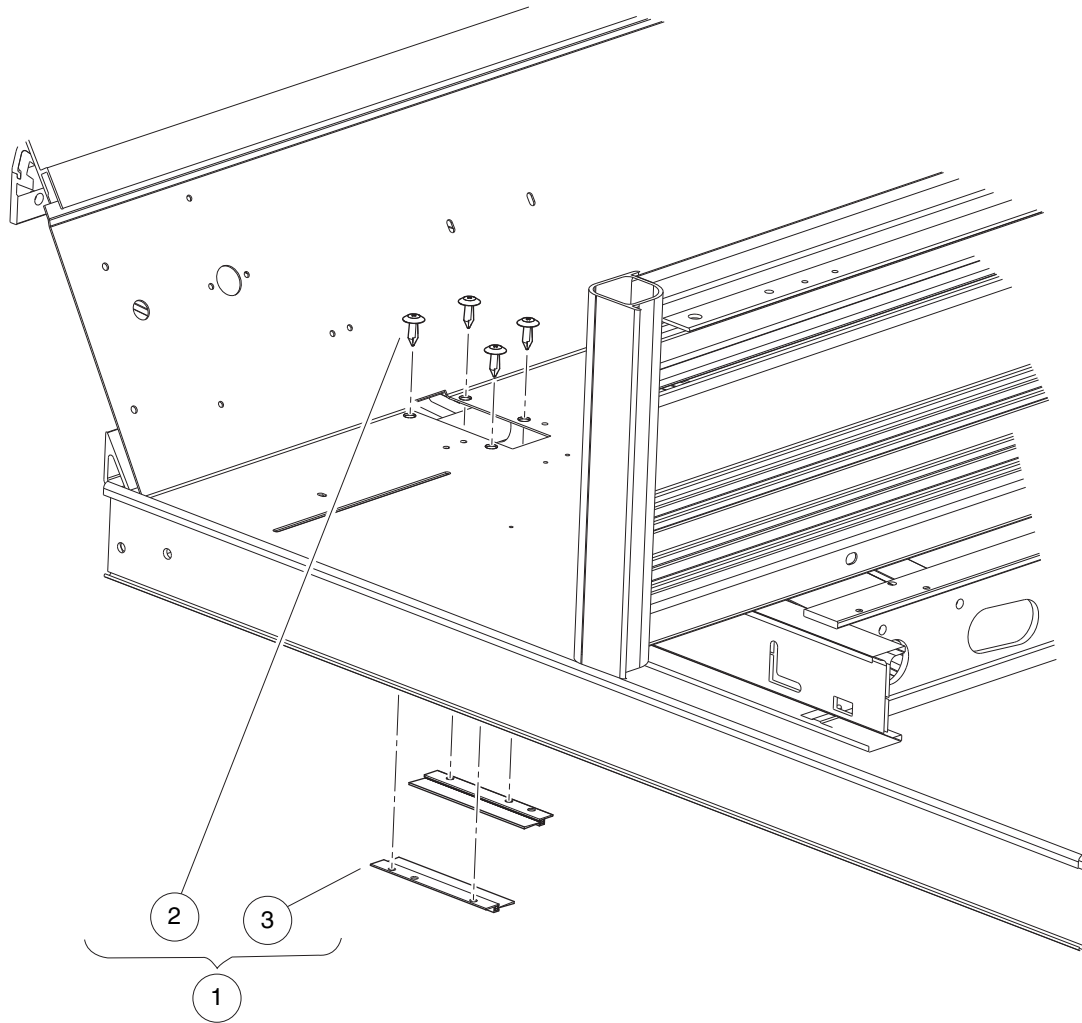
5
G
E

ACCELERATOR PEDAL AND ROD ASSEMBLY – GASOLINE VEHICLE

ITEM	PART NO.	DESCRIPTION	QTY
		1 2 3 4	
1	1011694	Accelerator Bracket and Bearing Assembly	2
2	1011931	Washer, 1/4 Flat	1
3	1014007	Washer, 1/4, Flat	4
4	1017378	Cup, Spring	1
5	1017380	Bumper, Spring Return	1
6	1017424	Bearing, Pivot Support	1
7	101796201	Spring, Accelerator Return	1
8	101817401	Retainer, Spring	1
9	101818801	Stud, 1/4-28 X 1.35 Ball	1
10	101861901	Screw, 1/4-20 X 1.125 Hex Cap	4
11	101912401	Rod, Accelerator (includes items 12 through 14)	1
12	1011084	Nut, 1/4-28 Hex Jam	2
13	1011734	Joint, Ball	2
14	N/A	Accelerator Rod	1
15	101918501	Ratchet Assembly	1
16	102026001	Kit, Accelerator Pivot Rod Assembly (includes items 17 and 18)	1
17	101919801	Spacer, Accelerator	1
18	102158901	Pivot Rod Weldment	1
19	103865101	Pedal, Accel, Insert	1
20	1241	Washer, 5/16 Type A Flat	1
21	1624	Screw, 3/8-16 X 1.50, Hex-Head Cap	1
22	334	Washer, 3/8, Type A, Flat	2
23	7473	Locknut, 5/16-18 Nylon Insert	1
24	8233	Locknut, 1/4-20, Nylon Insert	4
25	8717	Locknut, Nylon Insert, 1/4-28	1
26	8754	Locknut, 3/8-16 Hex	2

5
G
E

5
G
E



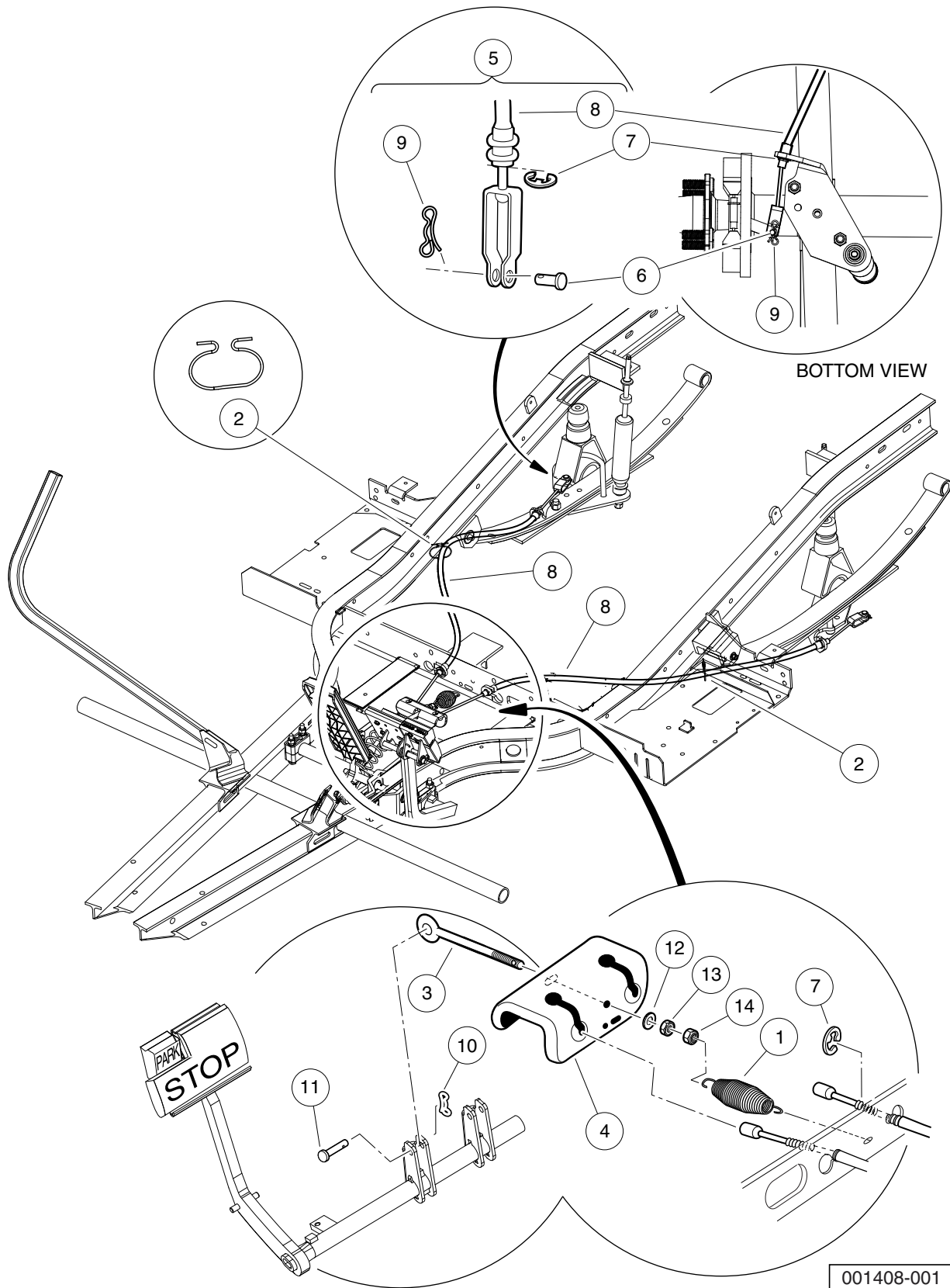
001418-001

PEDAL CLOSE-OUT KIT

ITEM	PART NO.	DESCRIPTION	QTY
1	105149101	1 2 3 4 Kit, Close Out, Pedal, Utl (includes items 2 and 3)	1
2	102025701	Screw, Tuflok Panel, 1/4	4
3	105149201	Asm, Brush, Pedal Close Out	2

5
G
E

5
G
E



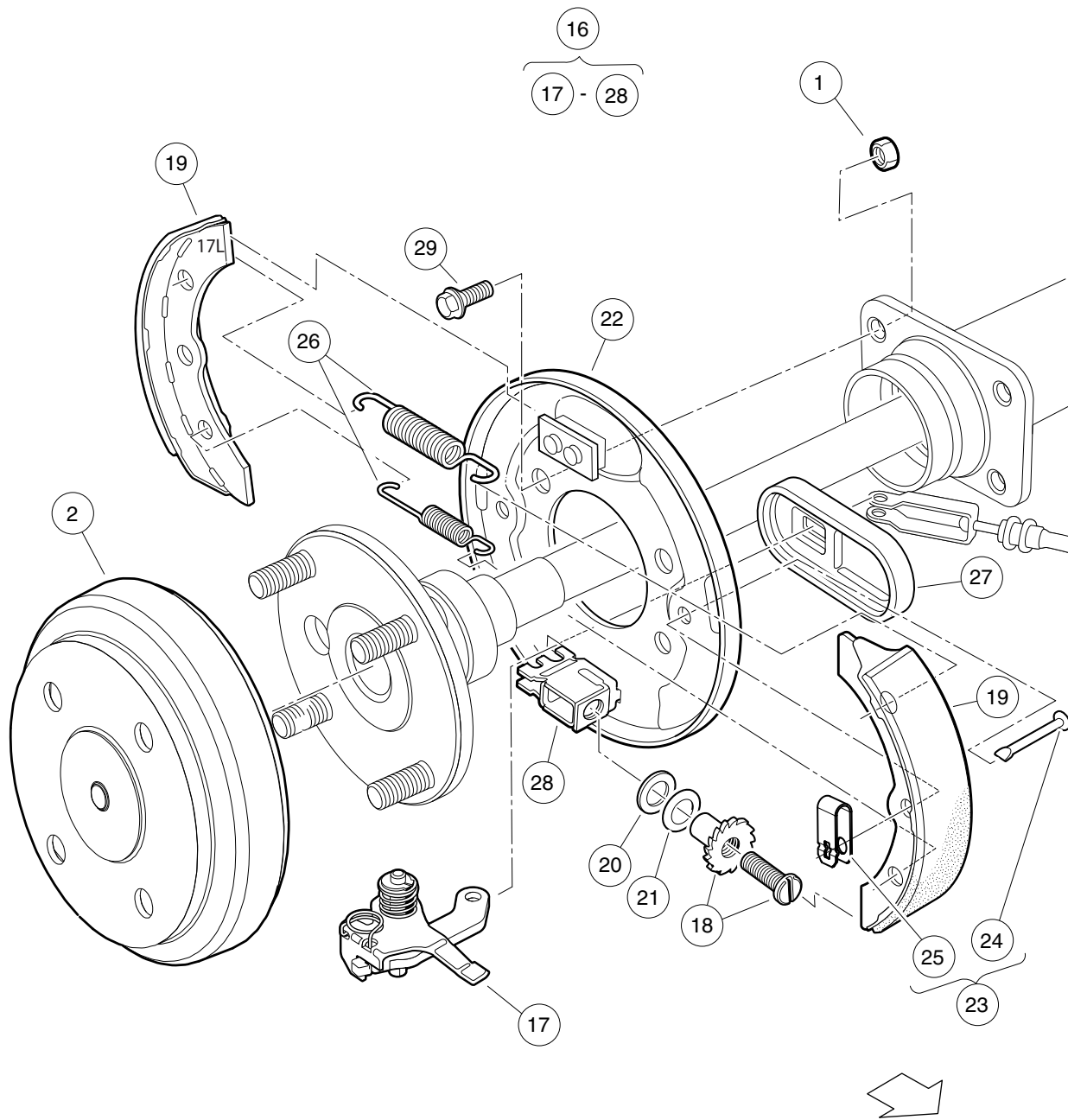
001408-001

BRAKE CABLES AND EQUALIZER

ITEM	PART NO.	DESCRIPTION	QTY
		1 2 3 4	
1	1013531	Spring, Brake Return	1
2	101900801	Hanger, Brake Cable	2
3	101953101	Rod, Equalizer, 8.91"	1
4	101990801	Equalizer Bracket	1
5	102166901	Kit, Brake Cable Rear (includes items 6 through 9)	1
6	1010829	Pin, Clevis, 5/16 X 3/4	2
7	1011779	E-Clip, 1/2	4
8	102162601	Cable, Brake	2
9	102292801	Pin, Bow Tie Locking - .072	2
10	102323101	Pin, Bow Tie Locking	1
11	102323201	Pin, 3/8 X 1-5/16 Clevis	1
12	1241	Washer, 5/16 Type A Flat	5
13	1242	Nut, 5/16-18 Hex	1
14	7473	Locknut, 5/16-18 Nylon Insert	5

5
G
E

5
G
E

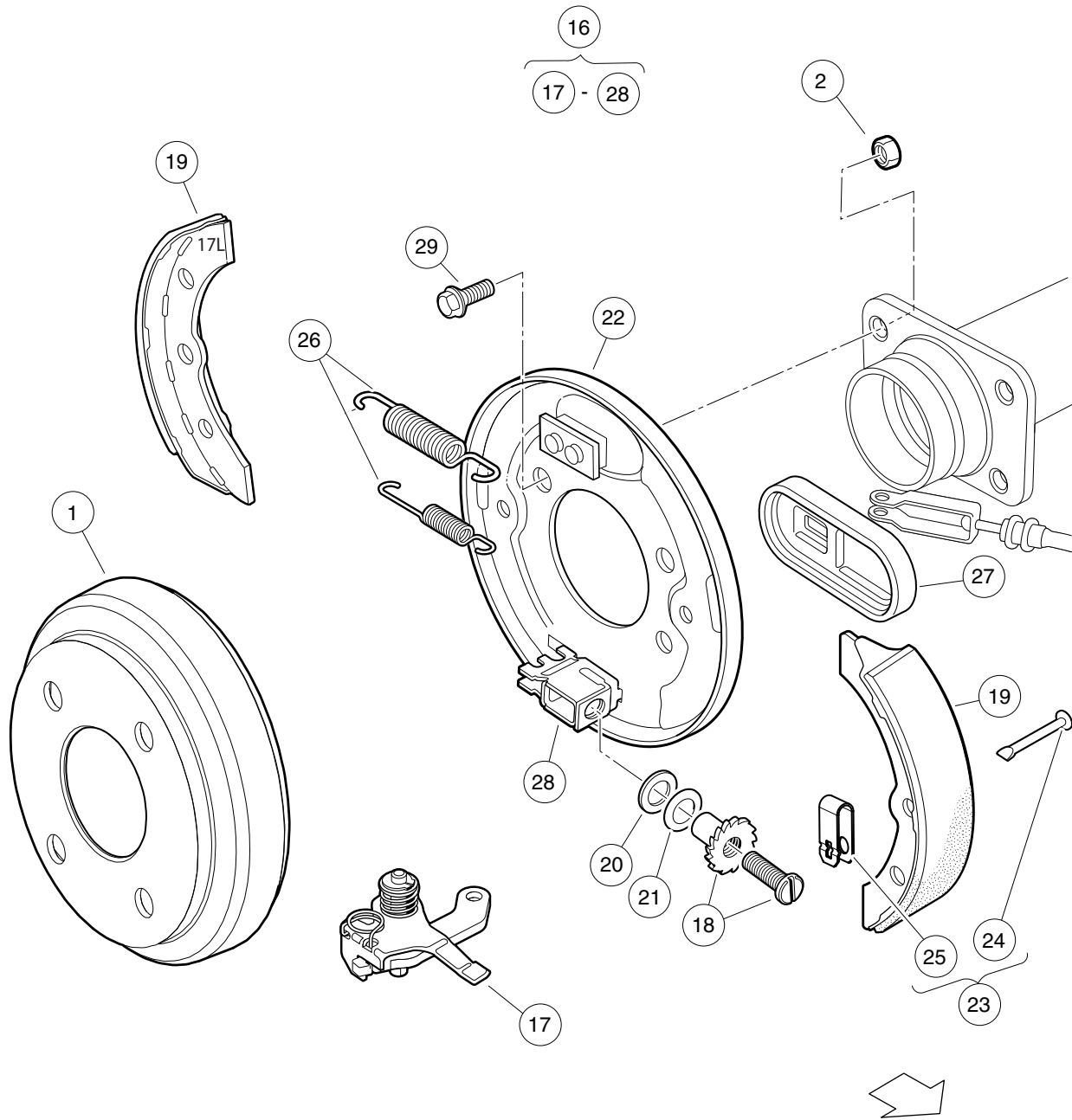


000186-006

REAR BRAKES, SELF-ADJUSTING – ELECTRIC VEHICLE

ITEM	PART NO.	DESCRIPTION	QTY	
		1 2 3 4		5
1	1013924	Nut, 5/16-24, Hex Head Cone	8	G
2	101791101	Drum without Center Hole, Brake	2	E
3	103380201	Asm, Brake Cluster, Mech, Drvr (includes items 4 through 15)	1	
4	101815502	Lever Assembly, Self-Adjusting Brake, Left	1	
5	101816502	Adjusting Mechanism, Self-Adjusting Brake, Left	1	
6	101823201	Package, Brake Shoe, Self-Adjusting	1	
7	101823801	Plate, Washer, Brake, Self-Adjusting	1	
8	101823901	Washer, Brake, Self-Adjusting	1	
9	103483102	Backing Plate, Driver-side	1	
10	103483201	Kit, Shoe Retainer (includes items 11 and 12)	1	
11	N/A	Pin	2	
12	N/A	Spring, Shoe, Clamp	2	
13	103483401	Package Brake Spring Self Adj	1	
14	103483601	Cover, Dust	1	
15	103483701	Brake Block	1	
16	103380202	Asm, Brake Cluster, Mech, Pass (includes items 17 through 28)	1	
17	101815501	Lever Assembly, Self-Adjusting Brake, Right (Passenger)	1	
18	101816501	Adj Mechanism, S.A. Brakes, Right (Passenger)	1	
19	101823201	Package, Brake Shoe, Self-Adjusting	1	
20	101823801	Plate, Washer, Brake, Self-Adjusting	1	
21	101823901	Washer, Brake, Self-Adjusting	1	
22	103483101	Backing Plate, Passenger-side	1	
23	103483201	Kit, Shoe Retainer (includes items 24 and 25)	1	
24	N/A	Pin	2	
25	N/A	Spring, Shoe, Clamp	2	
26	103483401	Package Brake Spring Self Adj	1	
27	103483601	Cover, Dust	1	
28	103483701	Brake Block	1	
29	47542195001	Bolt, Brake Cluster Mnt	8	
		Note: Driver-side brake cluster (items 4 -16) not shown. Components have a similar appearance to passenger-side brake cluster components.		

5
G
E



000186-007

REAR BRAKES, SELF-ADJUSTING – GASOLINE VEHICLE

ITEM	PART NO.	DESCRIPTION	QTY
		1 2 3 4	
1	1011137	Drum, Brake	2
2	1013924	Nut, 5/16-24, Hex Head Cone	8
3	103380201	Asm, Brake Cluster, Mech, Drvr (includes items 4 through 15)	1
4	101815502	Lever Assembly, Self-Adjusting Brake, Left	1
5	101816502	Adjusting Mechanism, Self-Adjusting Brake, Left	1
6	101823201	Package, Brake Shoe, Self-Adjusting	1
7	101823801	Plate, Washer, Brake, Self-Adjusting	1
8	101823901	Washer, Brake, Self-Adjusting	1
9	103483102	Backing Plate, Driver-side	1
10	103483201	Kit, Shoe Retainer (includes items 11 and 12)	1
11	N/A	Pin	2
12	N/A	Spring, Shoe, Clamp	2
13	103483401	Package Brake Spring Self Adj	1
14	103483601	Cover, Dust	1
15	103483701	Brake Block	1
16	103380202	Asm, Brake Cluster, Mech, Pass (includes items 17 through 28)	1
17	101815501	Lever Assembly, Self-Adjusting Brake, Right (Passenger)	1
18	101816501	Adj Mechanism, S.A. Brakes, Right (Passenger)	1
19	101823201	Package, Brake Shoe, Self-Adjusting	1
20	101823801	Plate, Washer, Brake, Self-Adjusting	1
21	101823901	Washer, Brake, Self-Adjusting	1
22	103483101	Backing Plate, Passenger-side	1
23	103483201	Kit, Shoe Retainer (includes items 24 and 25)	1
24	N/A	Pin	2
25	N/A	Spring, Shoe, Clamp	2
26	103483401	Package Brake Spring Self Adj	1
27	103483601	Cover, Dust	1
28	103483701	Brake Block	1
29	47542195001	Bolt, Brake Cluster Mnt	8
		Note: Driver-side brake cluster (items 4 -16) not shown. Components have a similar appearance to passenger-side brake cluster components.	

5
G
E

5

G

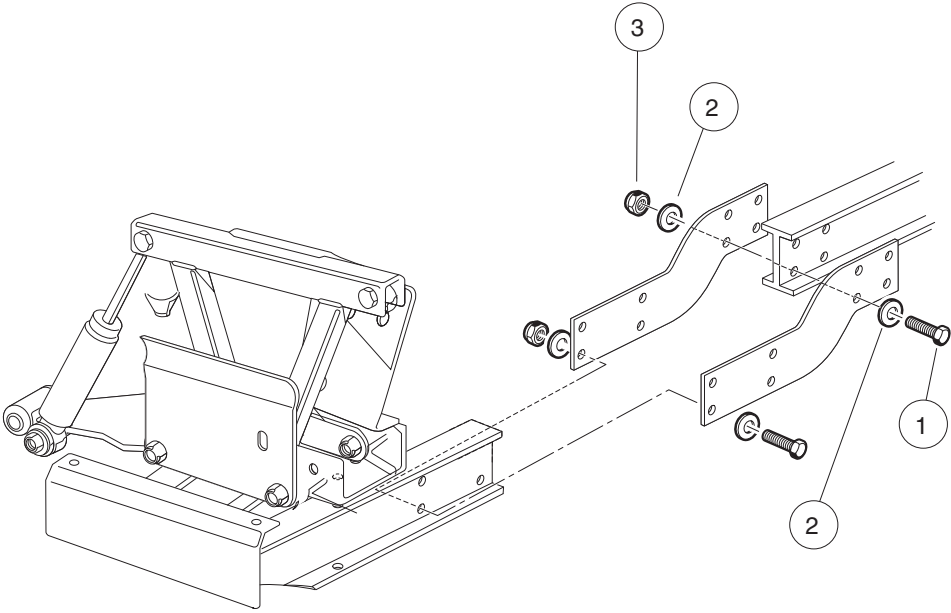
E

STEERING AND SUSPENSION WITH MAINTENANCE-FREE BALL JOINTS

6

G

E



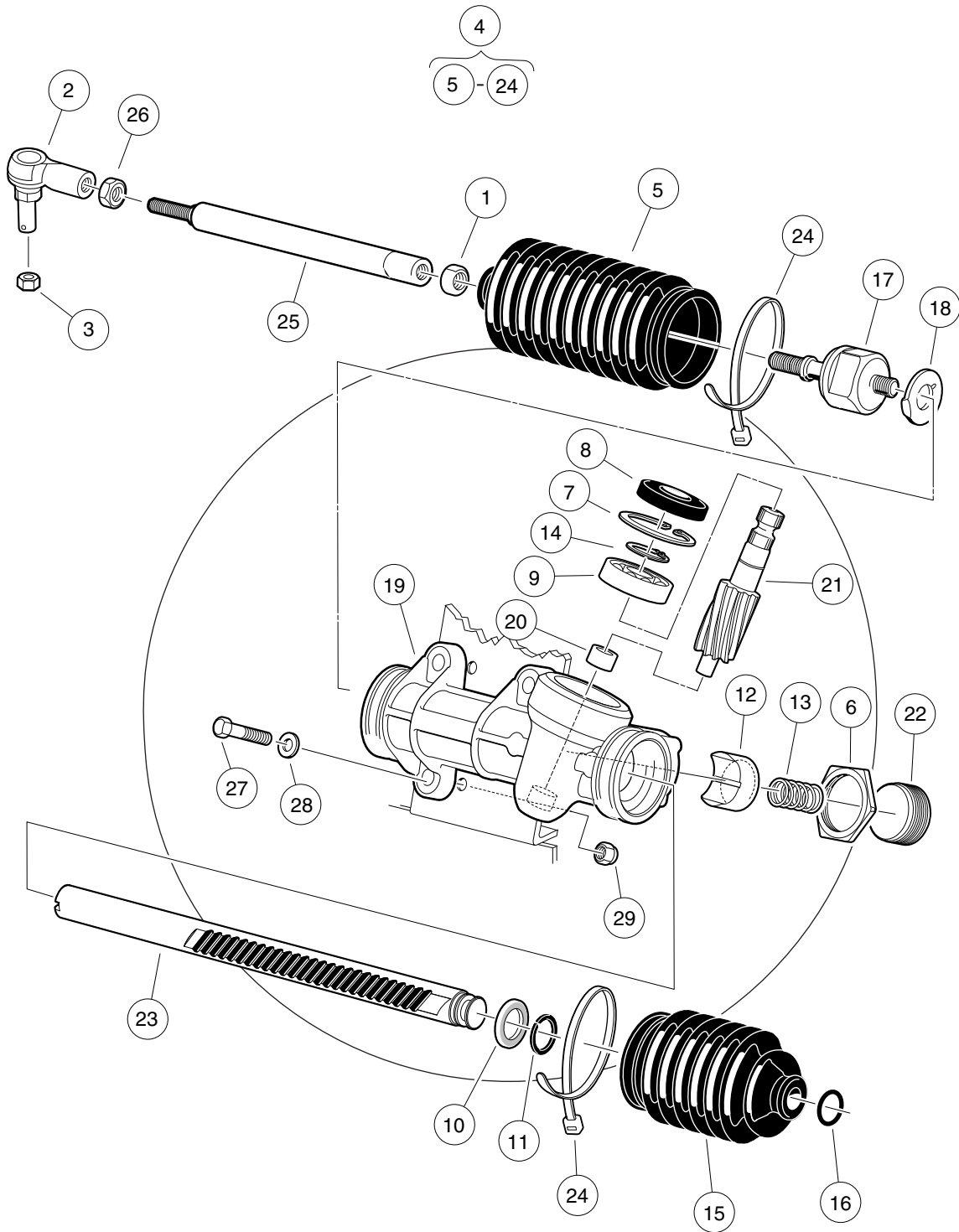
000304-002

FRONT FRAME PLATE HARDWARE – TURF/CA 252 AND XRT 850/ 900

ITEM	PART NO.	DESCRIPTION	QTY
		1 2 3 4	
1	1218	Screw, 5/16-18 X 1.25 Hex-Head Cap	16
2	1241	Washer, 5/16 Type A Flat	32
3	7473	Locknut, 5/16-18 Nylon Insert	16

6
G
E

6
G
E



001500-002

STEERING GEAR ASSEMBLY (WANDA) – MAINT.-FREE BALL JOINT

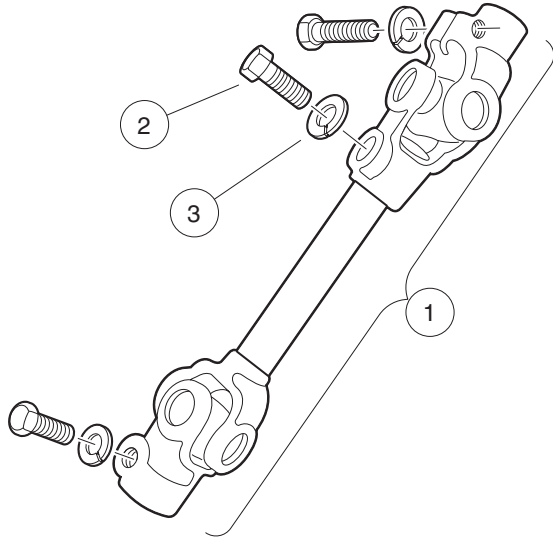
ITEM	PART NO.	DESCRIPTION	QTY
		1 2 3 4	
1	1013042	Nut, 12mm Hex	1
2	102022602	End, Tie Rod, M12 X 1.25, Lh	1
3	102289201	Nut - Hex Locking, M12 X 1.25	1
4	103601501	Asm, Steering Rack And Pinion (includes items 5 through 24)	1
5	1013035	Bellows, Long	1
6	1013044	Rack Screw Locknut	1
7	N/A	Snap Ring	1
8	1013052	Seal, Steering Pinion Dust	1
9	101879401	Bearing, Ball	1
10	101879501	Stop Washer	1
11	101879601	Stop Ring, C-Type	1
12	101879701	Support Yoke	1
13	101879801	Rack Guide Pressure Spring	1
14	101879901	Ring, Stop, C-Type	1
15	101880001	Bellows, Short	1
16	101880101	Dust Seal Retaining Ring	1
17	101880201	Inner Ball Joint Asm	1
18	101880301	Washer, Tab	1
19	N/A	Box, Steering Gear	1
20	N/A	Bearing, Lower Pinion	1
21	N/A	Pinion, Steering	1
22	N/A	Screw, Rack Guide	1
23	N/A	Rack, Steering	1
24	8990	Tie Wrap, 8" Nylon	2
25	103653401	Link, Drag, Male Thd	1
26	103653501	Nut, Jam, M12-1.25, Lh	1
27	1624	Screw, 3/8-16 X 1.50, Hex-Head Cap	3
28	334	Washer, 3/8, Type A, Flat	3
29	8754	Locknut, 3/8-16 Hex	3

6
G
E

STEERING COLUMN – UTILITY

ITEM	PART NO.	DESCRIPTION	QTY
		1 2 3 4	
1	1011578	Washer, 5/16 Type B Flat	1
2	1011697	Washer, 5/16 Flat	1
3	1014288	Screw, 5/16-18 X 0.75, Thread-Forming	1
4	1016183	Screw, 3/8-16 X 7.00 Hex Cap	2
5	1016269	Screw, 5/16-18 Thrd Forming	2
6	1017313	Steering Shaft Assembly (includes items 7 through 15)	1
7	1012604	Washer, 0.675 ID X 1.19 OD	1
8	1012605	Ring, 0.579 Internal Retaining	1
9	1014125	Wedge, Molded	2
10	1014126	Seat, Plastic Bearing	2
11	1014213	Bearing, Ball	2
12	1014214	Ring, Retaining	1
13	1014217	Spring, Steering Shaft	1
14	1017314	Column, Aluminum Steering	1
15	1017315	Shaft Steering Column	1
16	1017317	Tube Cover, Steering Column	1
17	101984801	Kit, Steering Column Mounting Bracket (includes items 18 and 19)	1
18	N/A	Bracket, RH Steering Column Mount	1
19	N/A	Bracket, LH Steering column mount	1
20	102278001	Boot, Steering Column Round	1
21	334	Washer, 3/8, Type A, Flat	4
22	8754	Locknut, 3/8-16 Hex	2

6
G
E



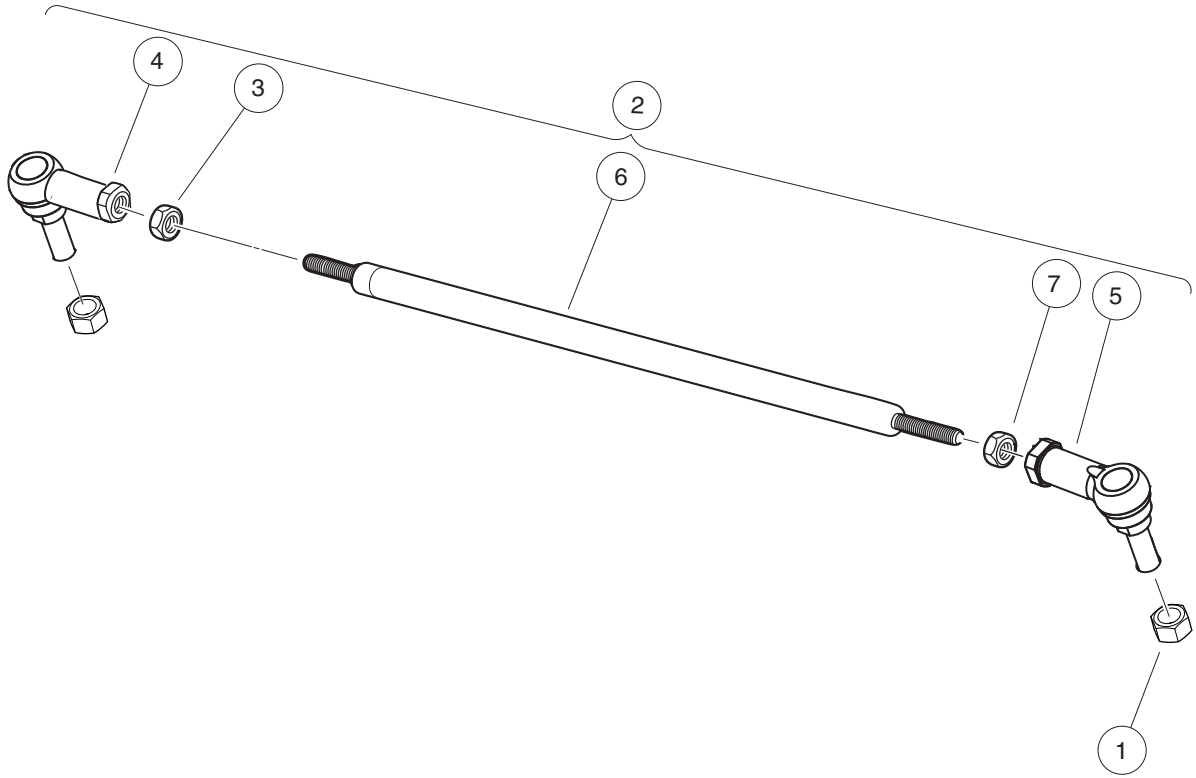
001218-001

INTERMEDIATE STEERING SHAFT – TURF/CA 252 AND XRT 850/ 900

ITEM	PART NO.	DESCRIPTION	QTY
		1 2 3 4	
1	102004101	Joint, Steering (includes items 2 and 3)	1
2	1017226	Bolt, Hex-Head, 8mm X 1.25 - 30	3
3	7174	Lockwasher, 5/16 Split	3

6
G
E

6
G
E



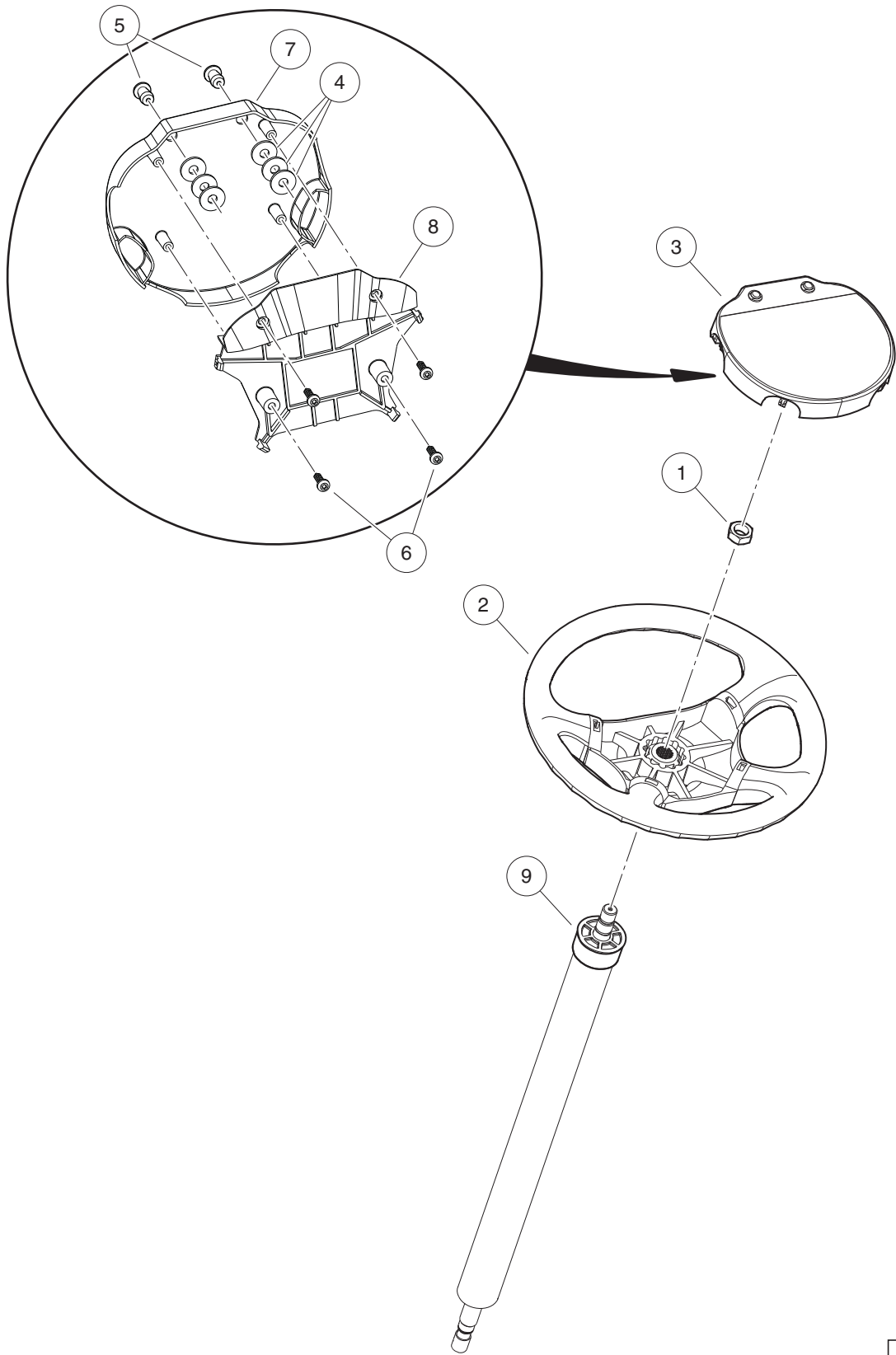
001318-001

TIE ROD WITH MAINTENANCE-FREE BALL JOINTS

ITEM	PART NO.	DESCRIPTION	QTY
		1 2 3 4	
1	102289201	Nut - Hex Locking, M12 X 1.25	2
2	103653601	Asm, Tie Rod (includes items 3 through 7)	1
3	1013042	Nut, 12mm Hex	1
4	102022601	End, Tie Rod M12 X 1.25 Rh	1
5	102022602	End, Tie Rod, M12 X 1.25, Lh	1
6	103354701	Rod, Tie, Male Thd	1
7	103653501	Nut, Jam, M12-1.25, Lh	1

6
G
E

6
G
E



000832-002

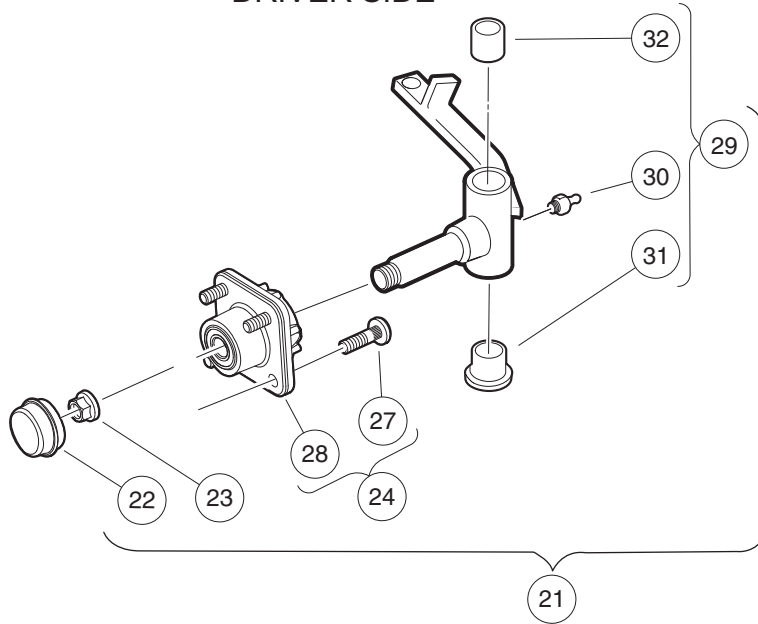
STEERING WHEEL – XRT850

ITEM	PART NO.	DESCRIPTION	QTY
		1 2 3 4	
1	1017273	Nut, 5/8-18 Nylon Insert Jam	1
2	102537802	Steer Wheel, Comf/grip, Spline	1
3	102540802	Center, Plate, Steering Wheel (includes items 4 through 8)	1
4	1011697	Washer, 5/16 Flat	6
5	1016967	Blind Rivet, Push Type	2
6	102296020	Screw, Torx Pan Hd Pt, M6 X 20	4
7	N/A	Scorecard Plate, Comfort Grip	1
8	N/A	Scorecard Back Plate	1
9	103405501	Shroud, Steering Column Spline	1

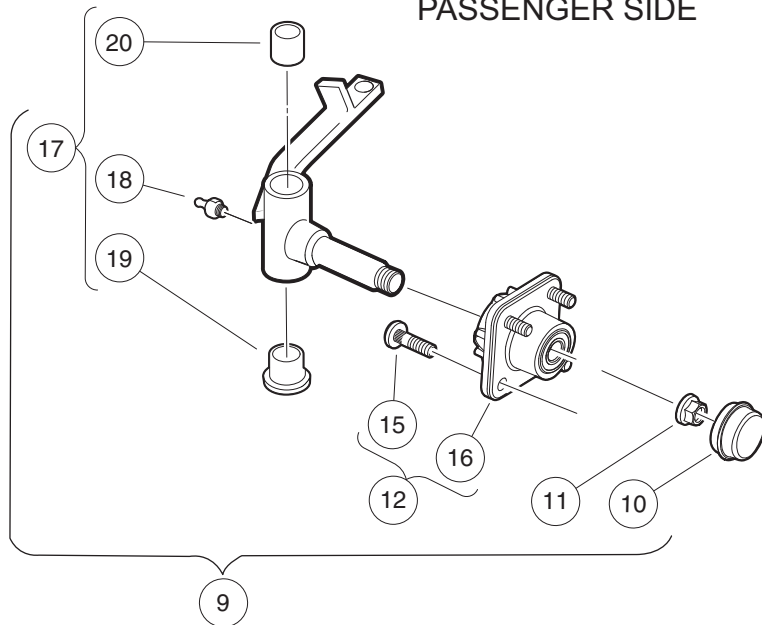
6
G
E

6
G
E

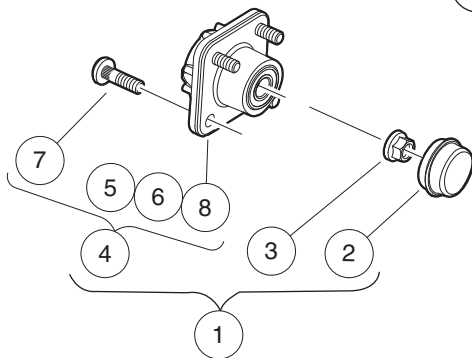
DRIVER SIDE



PASSENGER SIDE



REPLACEMENT HUB
FOR DRIVER OR
PASSENGER SIDE



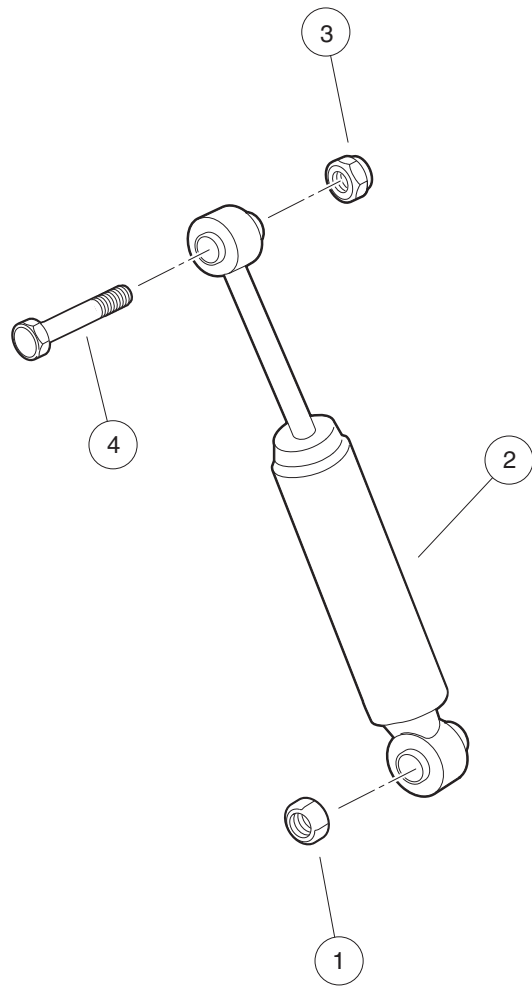
000301-007

FRONT SPINDLES AND HUBS – CA232 AND XRT800/810/850 WITH MAINTENANCE-FREE BALL JOINTS

ITEM	PART NO.	DESCRIPTION	QTY
		1 2 3 4	
1	102357701	Replacement Kit, Front Hub (includes items 2 through 4)	1
2	102353201	Cap, Front Hub	1
3	102353301	Hex Nut, Locking Flange, M14x2	1
4	N/A	Asm, Front Hub, Bb, Long Stud (includes items 5 through 8)	1
5	N/A	Bearing, Ball, 6204	2
6	N/A	Spacer, Bearing, Front Hub, Pm	1
7	103477901	Lug Stud, 1/2-20 Unf, 4037	4
8	N/A	Front Hub, Ball Brg, Long Stud	1
9	103667302	Asm, Frt Hub & Spndle, Rh, Ext (includes items 10 through 17)	1
10	102353201	Cap, Front Hub	1
11	102353301	Hex Nut, Locking Flange, M14x2	1
12	N/A	Asm, Front Hub, Bb, Long Stud (includes items 13 through 16)	1
13	N/A	Bearing, Ball, 6204	2
14	N/A	Spacer, Bearing, Front Hub, Pm	1
15	103477901	Lug Stud, 1/2-20 Unf, 4037	4
16	N/A	Front Hub, Ball Brg, Long Stud	1
17	103667104	Asm, Spindle, Rh, Ext, Sp (includes items 18 through 20)	1
18	1015597	Fitting, 1/4-28 Thread-Forming Grease	1
19	7048	Bushing, Flanged Bronze	1
20	8067	Bushing, Bronze Spindle	1
21	103667402	Asm, Frt Hub & Spndle, Lh, Ext (includes items 22 through 29)	1
22	102353201	Cap, Front Hub	1
23	102353301	Hex Nut, Locking Flange, M14x2	1
24	N/A	Asm, Front Hub, Bb, Long Stud (includes items 25 through 28)	1
25	N/A	Bearing, Ball, 6204	2
26	N/A	Spacer, Bearing, Front Hub, Pm	1
27	103477901	Lug Stud, 1/2-20 Unf, 4037	4
28	N/A	Front Hub, Ball Brg, Long Stud	1
29	103667204	Asm, Spindle, Lh, Ext, Sp (includes items 30 through 32)	1
30	1015597	Fitting, 1/4-28 Thread-Forming Grease	1
31	7048	Bushing, Flanged Bronze	1
32	8067	Bushing, Bronze Spindle	1

6
G
E

6
G
E



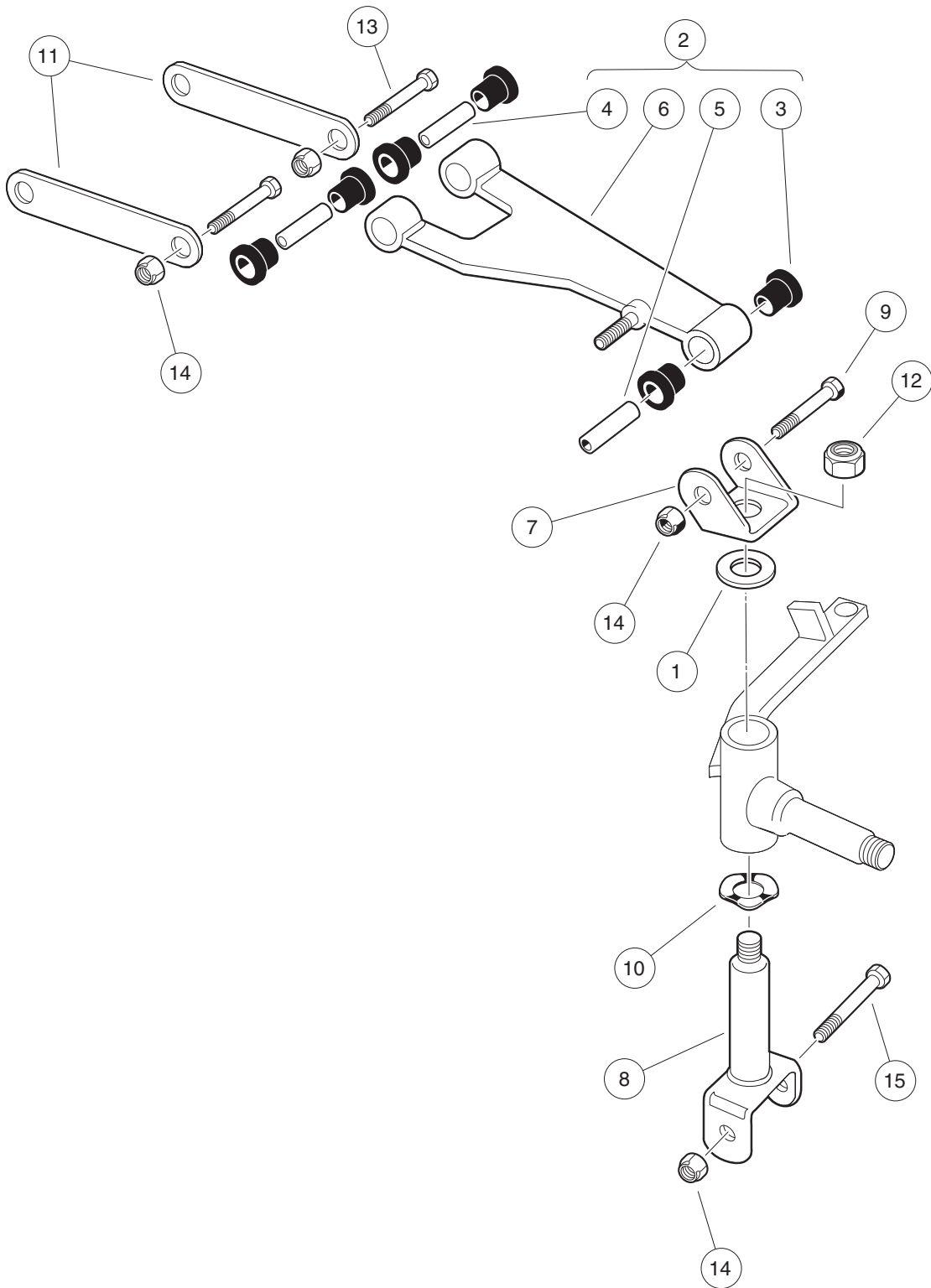
001304-001

FRONT SUSPENSION – SHOCK ABSORBERS

ITEM	PART NO.	DESCRIPTION	QTY
		1 2 3 4	
1	1010138	Locknut, 3/8-16 Dimpled	2
2	103351001	Shock Absorber, Front, Common	2
3	8754	Locknut, 3/8-16 Hex	2
4	8861	Bolt, 3/8-16 X 1.75 Hex	2

6
G
E

6
G
E



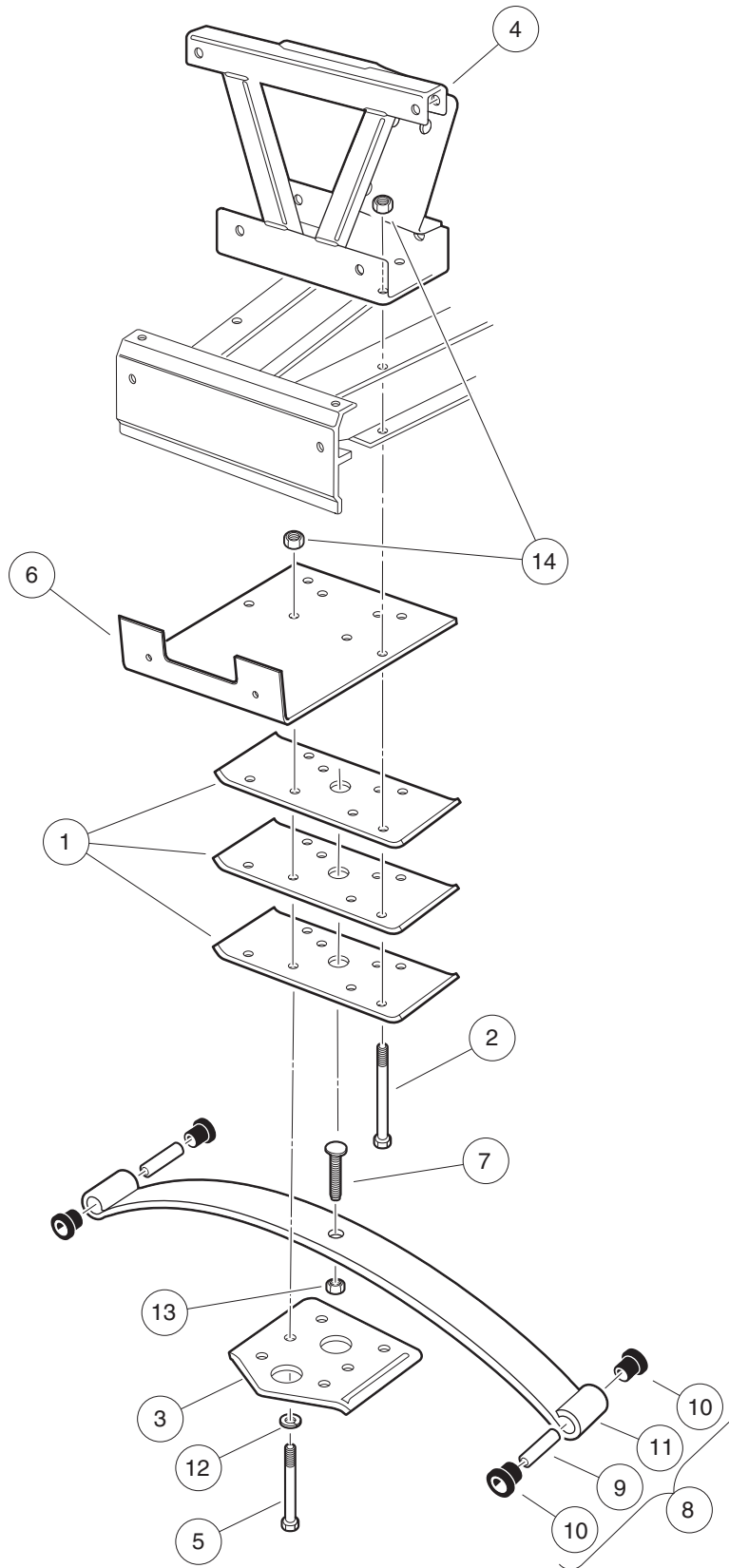
001305-001

FRONT SUSPENSION, UPPER CONTROL ARMS & KINGPINS

ITEM	PART NO.	DESCRIPTION	QTY
		1 2 3 4	
1	1010150	Bearing, Thrust	2
2	1016353	Sub-Assembly, Delta A-Plate (includes items 3 through 6)	2
3	1016346	Bushing, Urethane	6
4	1016349	Sleeve, Delta Inner	2
5	1016350	Sleeve, Delta Outer	1
6	1016351	Delta A-Plate	1
7	1016384	Clevis, Delta Upper	2
8	1016386	King Pin Assembly	2
9	1016387	Screw, 3/8-16 X 2.75 Hx Hd Cap	2
10	1016389	Washer, 1.125 Od Wave	2
11	1017266	A-Plate Strap	2
12	101903101	Locknut, 1/2-20 Nylon Insert	2
13	2402	Screw, 3/8-16 X 2.25 Hx Hd Cap	4
14	8754	Locknut, 3/8-16 Hex	8
15	8755	Screw, 3/8-16 X 3.375 Hex Cap	2

6
G
E

6
G
E



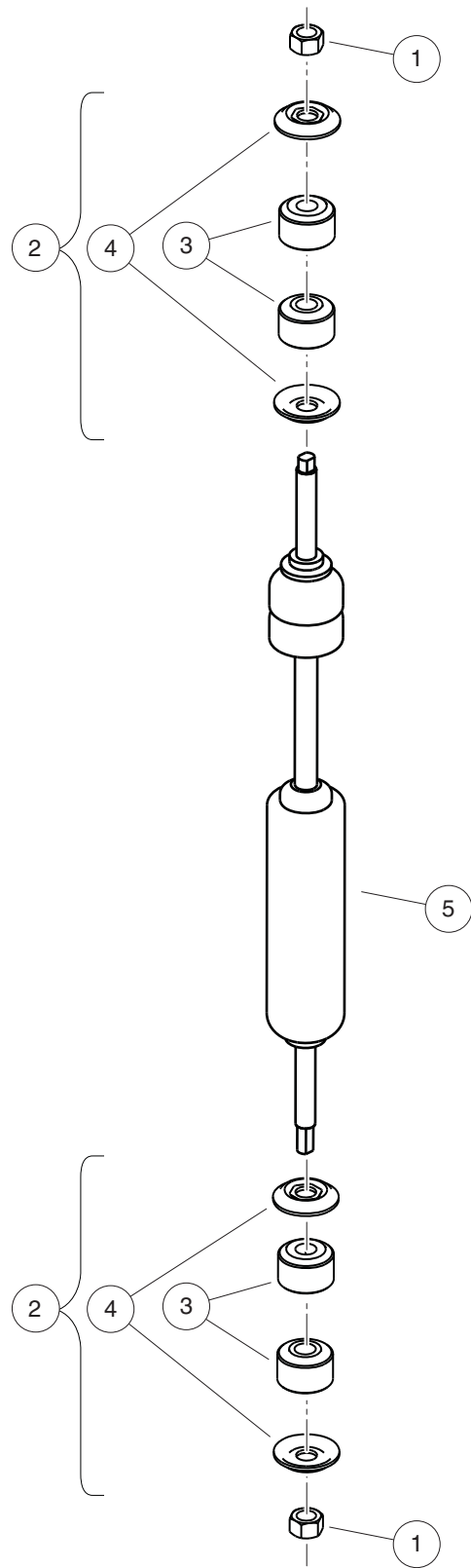
001306-002

FRONT SUSPENSION, SPRING AND MOUNTING PLATES – XRT850

ITEM	PART NO.	DESCRIPTION	QTY
		1 2 3 4	
1	1010124	Plate, Spring Mount	3
2	1013832	Screw, 3/8-16 X 5.00 Hex-Head Cap	4
3	1014276	Plate, Front Spring Retainer	1
4	1016385	Delta Shock and Gear Support Assembly	1
5	1016387	Screw, 3/8-16 X 2.75 Hx Hd Cap	4
6	102830401	Support, Brush Guard	1
7	103507001	Eccentric Bolt Common	1
8	103628701	Spring Asm, Front, 1 Leaf (includes items 9 through 11)	1
9	1012303	Bushing, Steel	2
10	101558302	Bushing, Urethane, Soft	4
11	103502601	Spring, Front, 1 Leaf	1
12	357	Lockwasher, 3/8 Split	4
13	706	Nut, Hex 3/8-16	1
14	8754	Locknut, 3/8-16 Hex	8

6
G
E

6
G
E



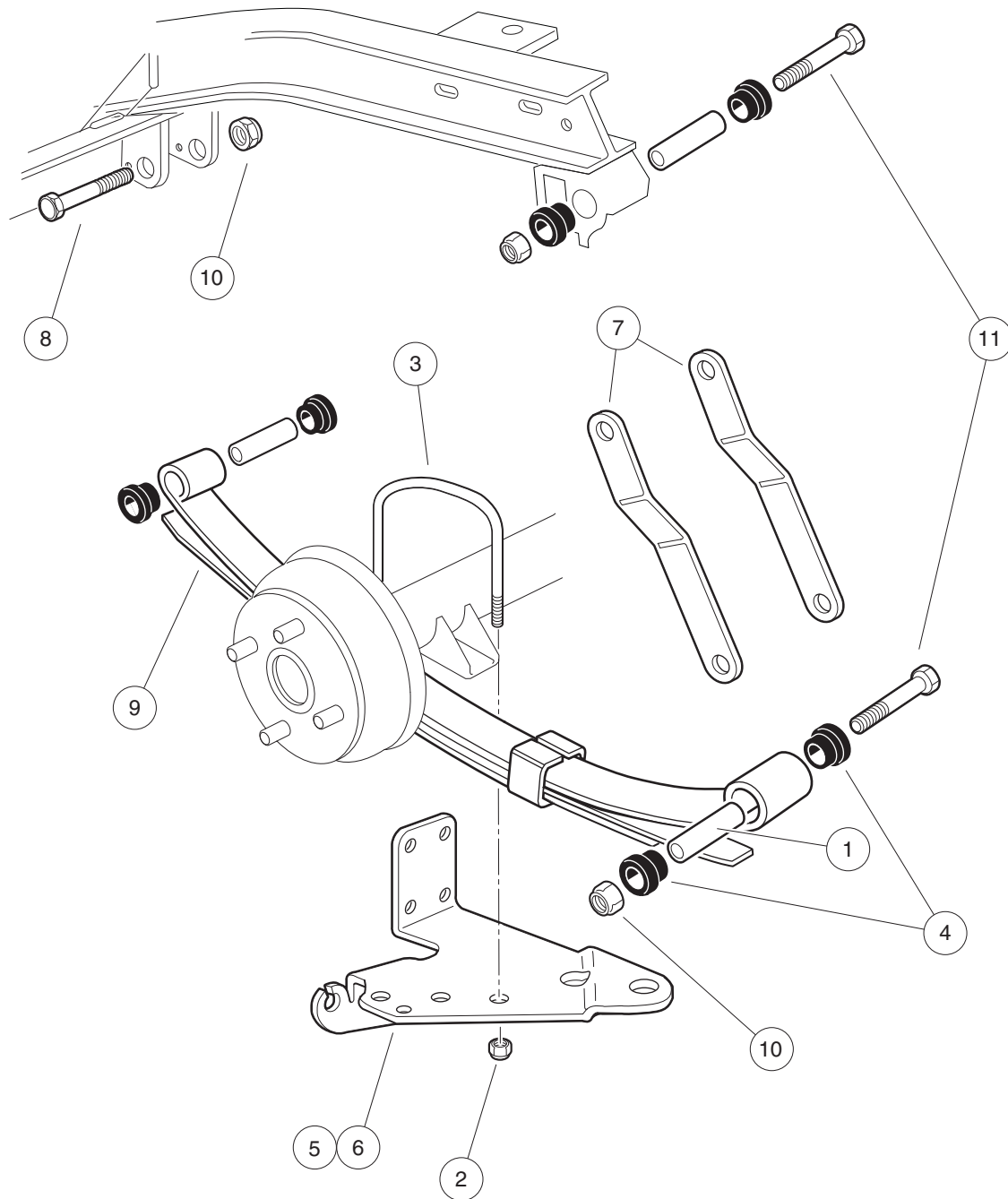
000837-002

REAR SUSPENSION – SHOCK ABSORBERS

ITEM	PART NO.	DESCRIPTION	QTY
		1 2 3 4	
1	1010145	Nut, 3/8-24 Hex	4
2	1011415	Kit, Shock Absorber Cushion (includes items 3 and 4)	4
3	N/A	Retainer, Shock Absorber Cushion	2
4	47579096001	Isolator, Shock Damper	2
5	103351101	Shock, Absorber, Utility	2

6
G
E

6
G
E



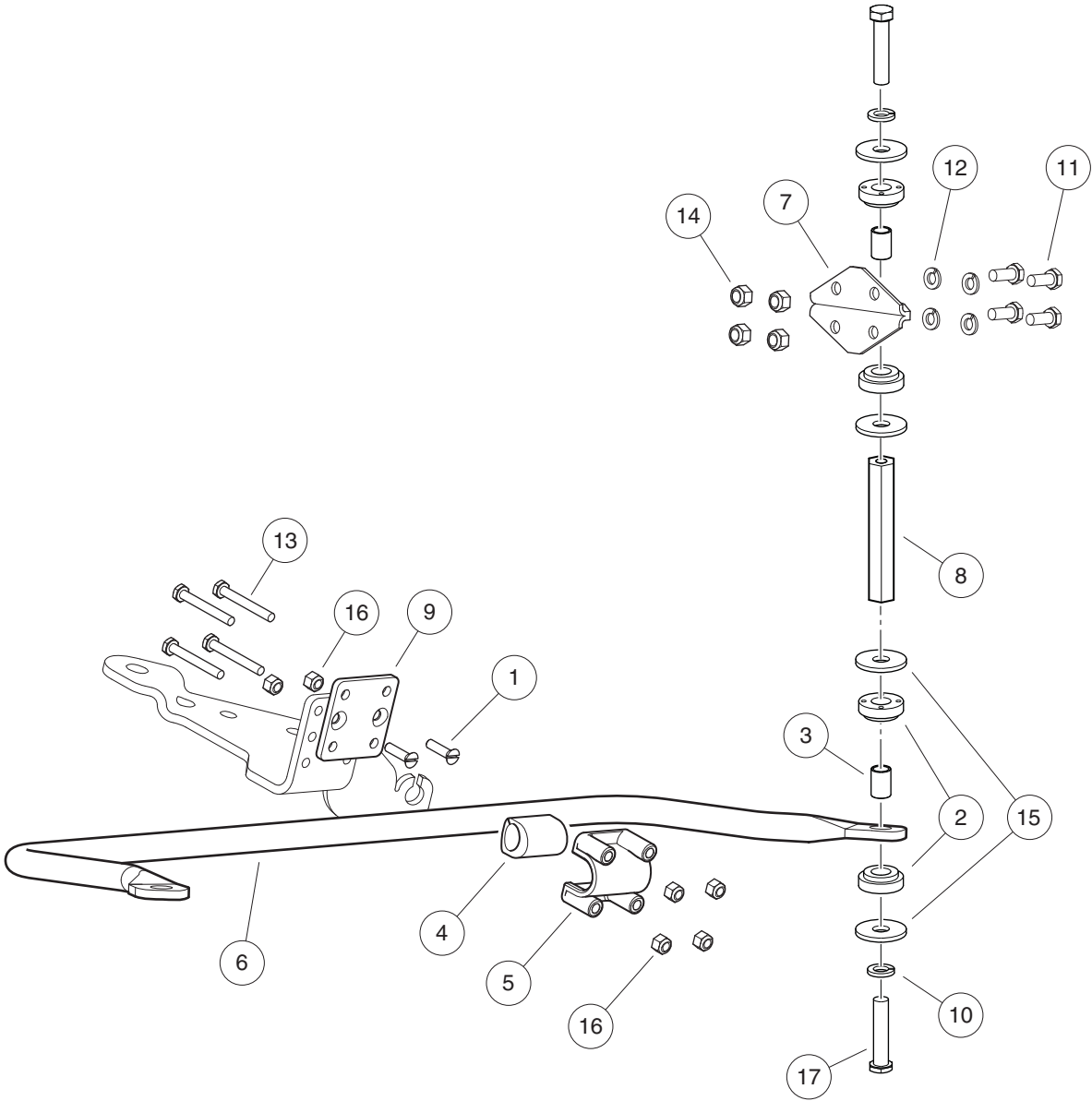
001308-001

REAR SUSPENSION, SPRINGS AND HARDWARE

ITEM	PART NO.	DESCRIPTION	QTY
		1 2 3 4	
1	1012303	Bushing, Steel	6
2	1014555	Locknut, 7/16-14 Nylon Hex	4
3	1014902	U-Bolt	2
4	1015583	Bushing, Urethane	12
5	101926501	Bracket, Left-Hand	1
6	101929401	Bracket, Right	1
7	102004201	Rear Spring Shackle	4
8	102066201	Screw, 3/8-16 X 3.50 Hex Cap	2
9	102871801	Spring, Multi Leaf	2
10	8754	Locknut, 3/8-16 Hex	6
11	8755	Screw, 3/8-16 X 3.375 Hex Cap	4

6
G
E

6
G
E



001307-001

STABILIZER BAR – XRT 850

ITEM	PART NO.	DESCRIPTION	QTY
		1 2 3 4	
1	1011857	Screw, 1/4-20 X 1.0 SI Flt Cs	4
2	1015453	Compression Mount	8
3	1015457	Spacer, 0.720"	4
4	1015613	Bushing, Stabilizer Bar	2
5	1015614	Support, Bushing	2
6	1015760	Stabilizer Bar	1
7	1016813	Mounting Bracket, Stabilizer Bar	2
8	1016814	Link, Stabilizer Bar	2
9	103364801	Bracket, Sway Bar , Lift	2
10	357	Lockwasher, 3/8 Split	4
11	7173	Screw, 5/16-18 X 0.75, Hex-Head Cap	8
12	7174	Lockwasher, 5/16 Split	8
13	7311	Screw, 1/4-20 X 2.00 Hex-Head Cap	8
14	7473	Locknut, 5/16-18 Nylon Insert	8
15	808	Washer, 3/8 Type B Flat	8
16	8233	Locknut, 1/4-20, Nylon Insert	12
17	8861	Bolt, 3/8-16 X 1.75 Hex	4

6
G
E

6

G

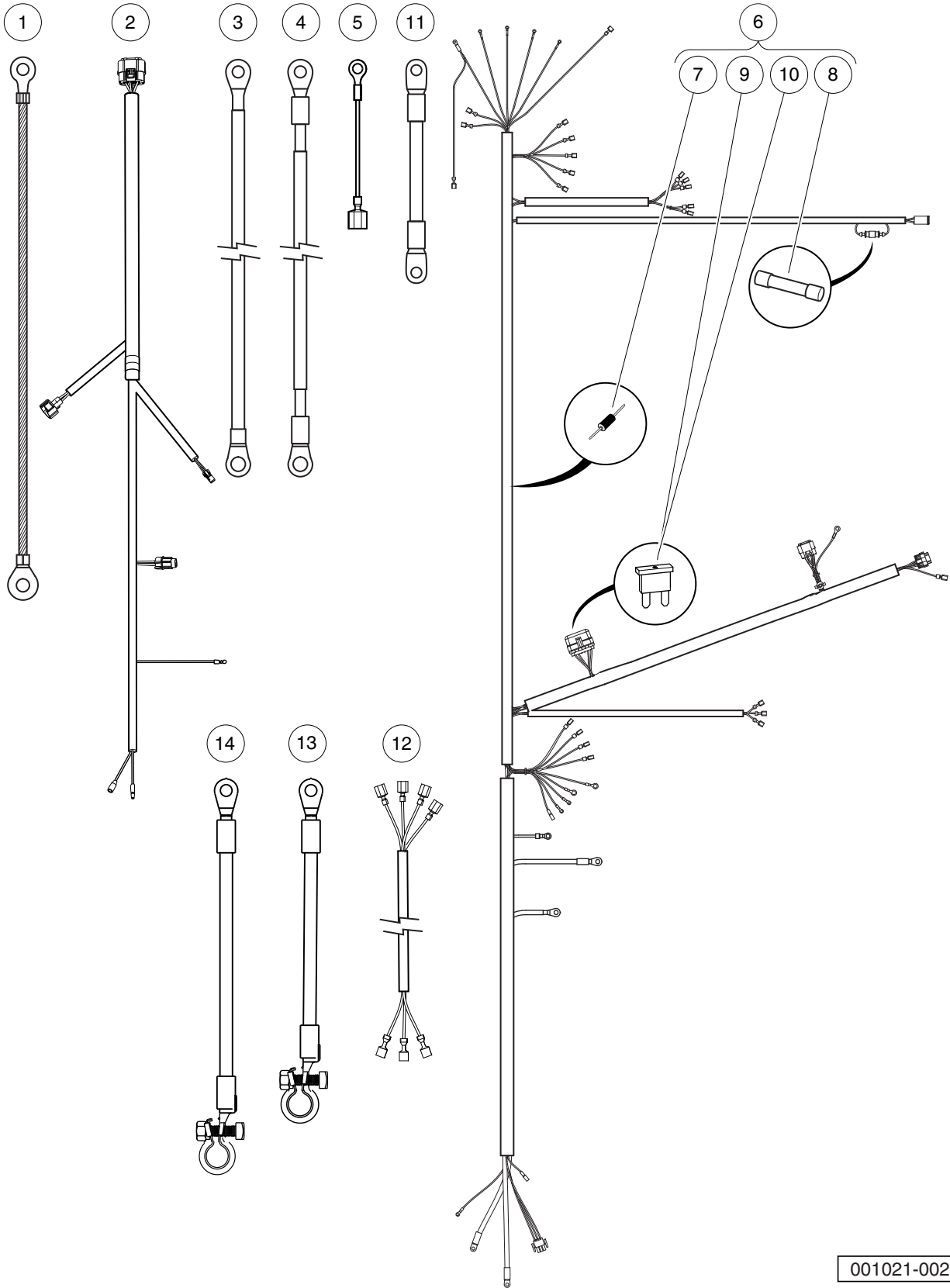
E

ELECTRICAL SYSTEM – EFI GASOLINE VEHICLES

7

G

7
G



001021-002

WIRING, FUSES, AND DIODES, PEDAL-START – EFI – XRT850

ITEM	PART NO.	DESCRIPTION	QTY
		1 2 3 4	
1	1015332	Wire, Ground, #10, Uninsulated	1
2	105008101	Harness, Wire, ECU/Engine	1
3	105135901	Wire, Battery (side-post), B-, Gas	1
4	105136001	Wire, Battery (side-post), B+, Gas	1
5	105143301	Wire, Ground, Fuel Tank	1
6	105151401	Harness, Main, Xrt850, Ps (includes items 7 through 10)	1
7	1014789	Diode, General Purpose, 3.0-Amp	1
8	103924801	Fuse, Glass, 2-Amp	1
9	105081501	Fuse, ATM, 5-Amp	1
10	105081601	Fuse, ATM, 10-Amp	1
11	105161701	Wire, 4-Ga, Green, Starter/Generator	1
12	105245701	Jumper, Run/maint, Sw	1
13	105256701	Wire Assy, 4ga, Battery, (top-post) B-, Gas	1
14	105256801	Wire Assy, 4ga, Battery, (top-post) B+, Gas	1
Note: For ECU, see Throttle Body in Fuel System section.			

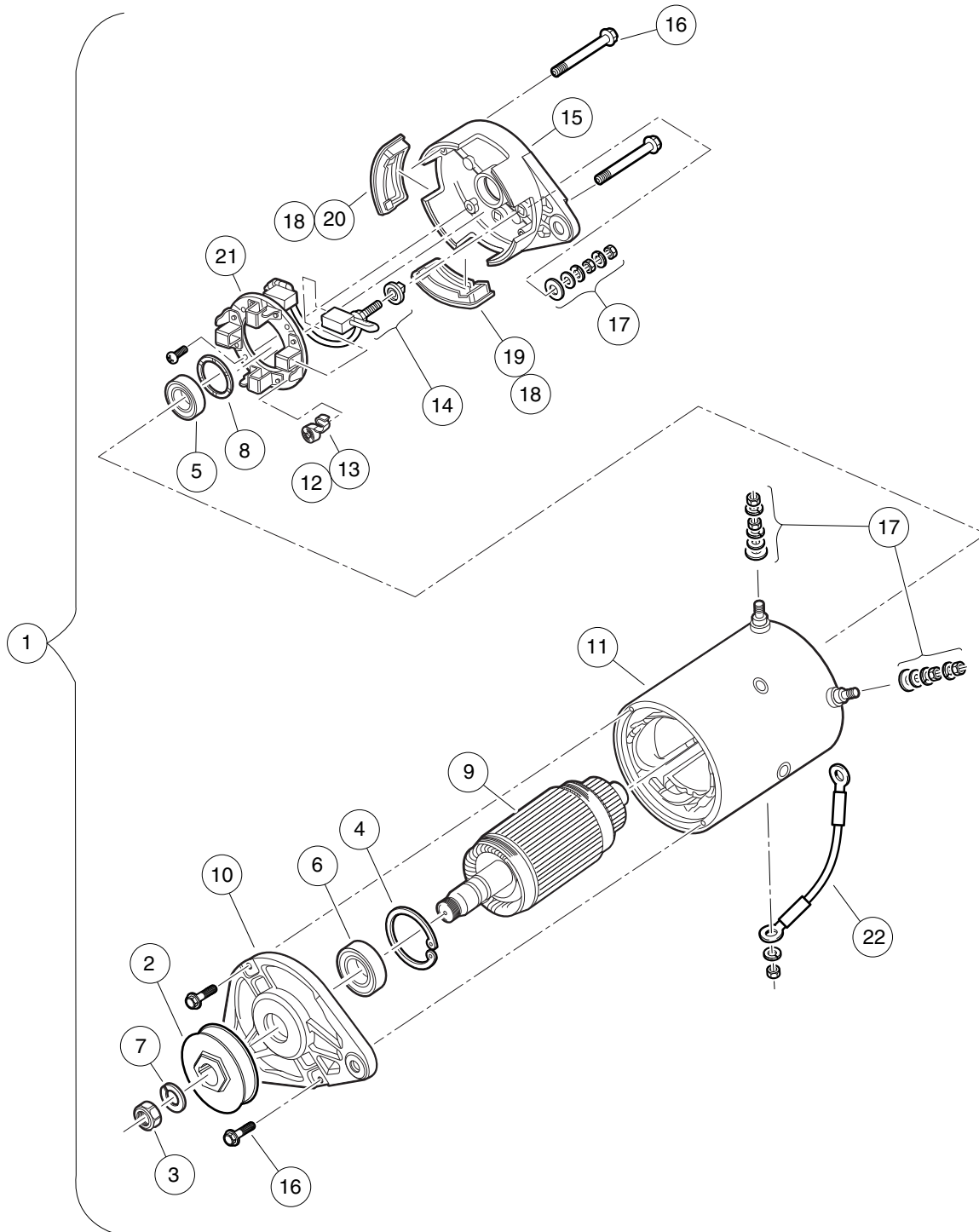
7

G

STARTER/GENERATOR (MODEL 114-04-4006), KEY-START – EFI

ITEM	PART NO.	DESCRIPTION	QTY
		1 2 3 4	
1	105190102	Starter/Generator, Bi-Rotational, Utility, Key-Start (includes items 2 through 22)	1
2	1014289	Pulley, Starter/Generator	1
3	102838701	Nut, Hex, M14x2, S/G	1
4	102838801	Retainer, Front, S/G	1
5	102838901	Bearing, Ball, Front, S-g	1
6	102839001	Bearing, Ball, Front, S-g	1
7	102839301	Washer, Lock M14x2, S-g	1
8	102841101	Washer, Wave, S-g	1
9	N/A	Asm, Armature, Starter/Generator	1
10	102844601	Head, Drive End, S-g	1
11	102844701	Asm, Frame and Field, Starter/Generator	1
12	103347101	Kit, Spring Brush, Starter/Generator (includes item 13)	1
13	N/A	Spring, Brush, S-g	4
14	103347301	Set, Brush Term, S-g	1
15	103347601	Head, Comm End, S-g	1
16	103347701	Set, Fastener, Ceh Deh, S-g	1
17	103347801	Set, Term Hardware, S/G	1
18	103347901	Kit, Cover, Brush Insp, Starter/Generator (includes items 19 and 20)	1
19	N/A	Plug, Rubber Drain, Start/Generator	3
20	N/A	Cover, Inspection, S-g	1
21	103953301	Kit, Brush And Brush Holder	1
22	105161701	Wire, 4-Ga, Green, Starter/Generator	1

7
G

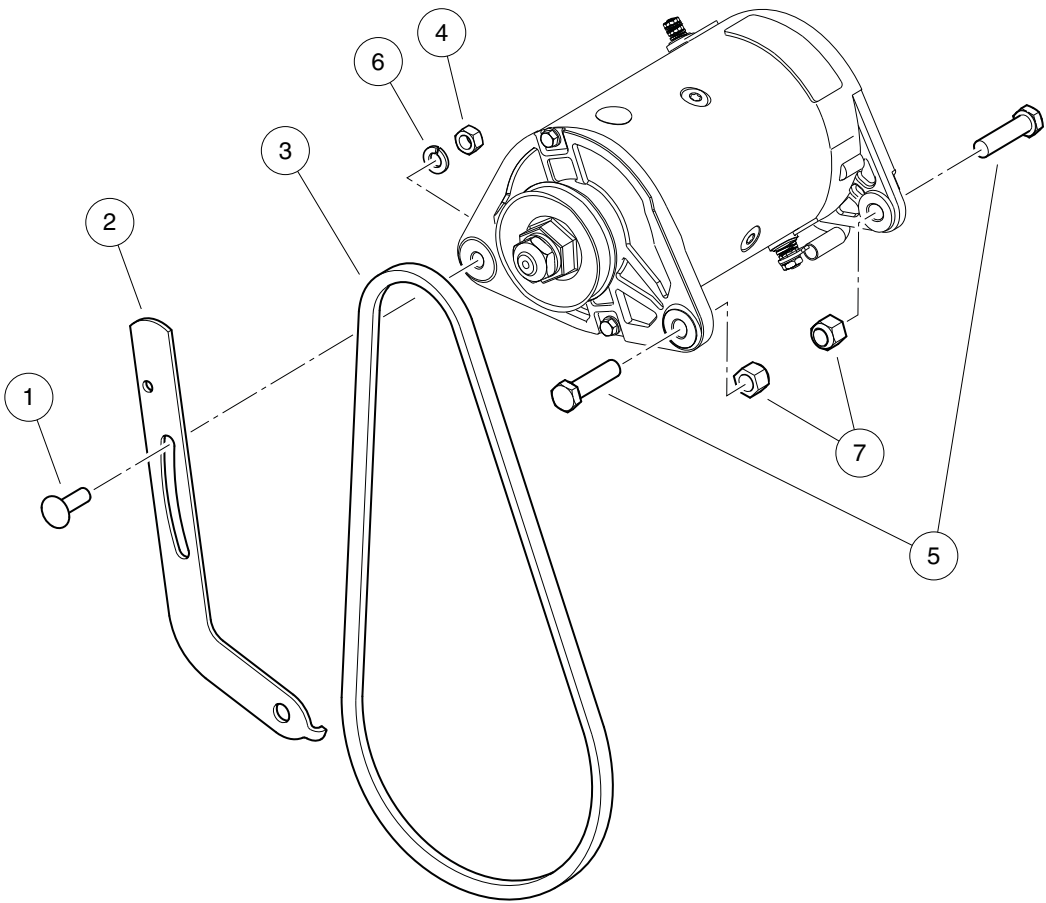


001016-001

STARTER/GENERATOR (MODEL 114-05-4001), PEDAL-START – EFI

ITEM	PART NO.	DESCRIPTION	QTY
		1 2 3 4	
1	105190101	Starter/Generator, High-Torque, Utility, Pedal-Start (includes items 2 through 22)	1
2	1014289	Pulley, Starter/Generator	1
3	102838701	Nut, Hex, M14x2, S/G	1
4	102838801	Retainer, Front, S/G	1
5	102838901	Bearing, Ball, Front, S-g	1
6	102839001	Bearing, Ball, Front, S-g	1
7	102839301	Washer, Lock M14x2, S-g	1
8	102841101	Washer, Wave, S-g	1
9	N/A	Asm, Armature, Starter/Generator	1
10	102844601	Head, Drive End, S-g	1
11	102844701	Asm, Frame and Field, Starter/Generator	1
12	103347101	Kit, Spring Brush, Starter/Generator (includes item 13)	1
13	N/A	Spring, Brush, S-g	4
14	103347301	Set, Brush Term, S-g	1
15	103347601	Head, Comm End, S-g	1
16	103347701	Set, Fastener, Ceh Deh, S-g	1
17	103347801	Set, Term Hardware, S/G	1
18	103347901	Kit, Cover, Brush Insp, Starter/Generator (includes items 19 and 20)	1
19	N/A	Plug, Rubber Drain, Start/Generator	3
20	N/A	Cover, Inspection, S-g	1
21	103953301	Kit, Brush And Brush Holder	1
22	105161701	Wire, 4-Ga, Green, Starter/Generator	1

7
G

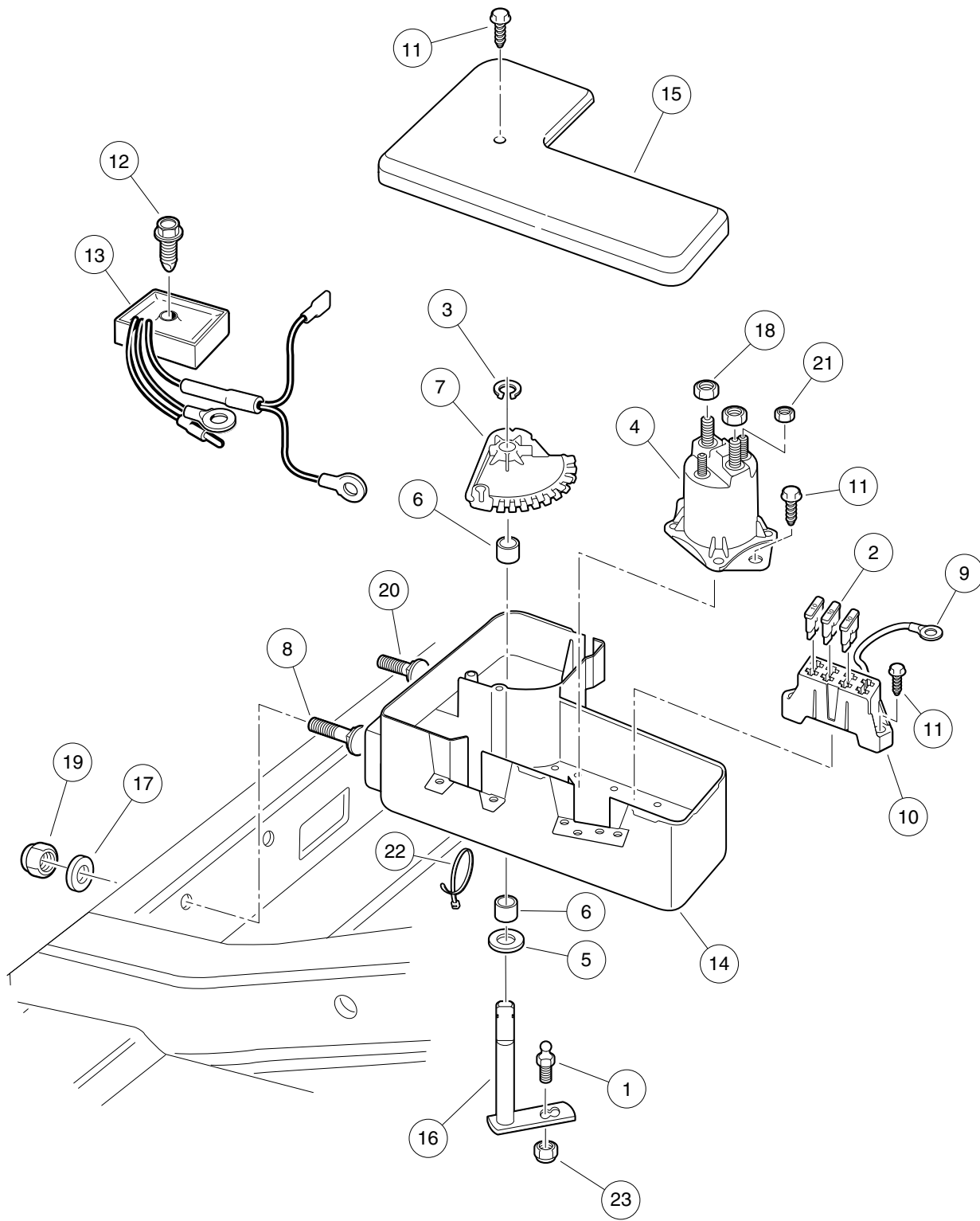


001009-001

STARTER/GENERATOR MOUNTING – EX40

ITEM	PART NO.	DESCRIPTION	QTY
		1 2 3 4	
1	1015932	Bolt, Carriage, 5/16-18	1
2	104005301	Bracket, Adjustable, Starter/Generator, EX40	1
3	105205401	Belt, Sg, 871, Ex40	1
4	1242	Nut, 5/16-18 Hex	1
5	1624	Screw, 3/8-16 X 1.50, Hex-Head Cap	2
6	7174	Lockwasher, 5/16 Split	1
7	8754	Locknut, 3/8-16 Hex	2

7
G



001014-002

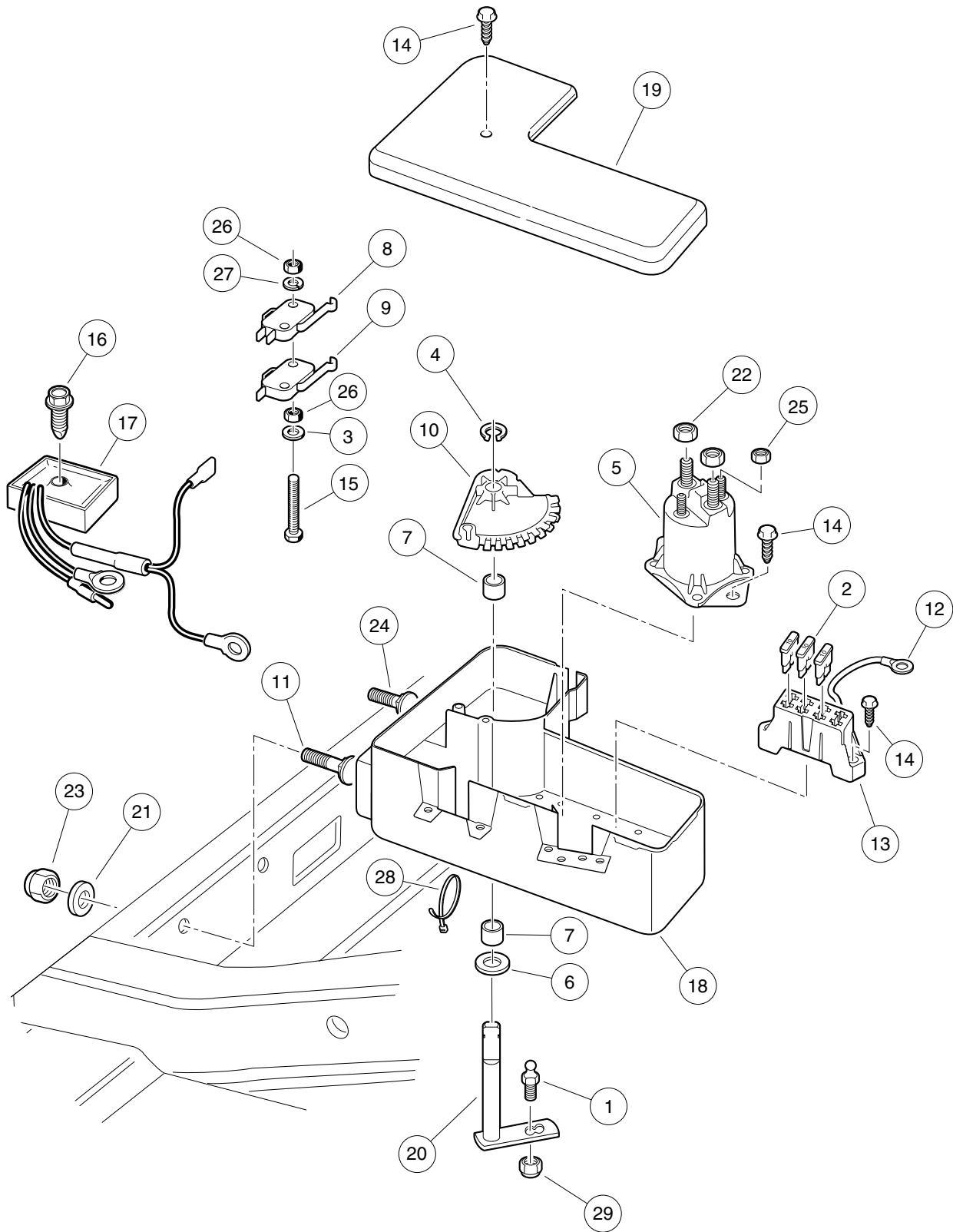
ELECTRICAL COMPONENT BOX, KEY-START – EX40

ITEM	PART NO.	DESCRIPTION	QTY
		1 2 3 4	
1	1010954	Stud, Ball, 1/4-28 X 0.560	1
2	1012295	Fuse, 10-Amp	3
3	1013589	Ring, Retaining, 0.338" Internal	1
4	1013609	Solenoid, 12-Volt	1
5	1014065	Washer, Flat, 0.38" ID, Delrin	1
6	1014145	Bushing, Secondary Weight, Split	2
7	1015373	Cam, Electric Box	1
8	1015405	Bolt, Carriage, 5/16-18 X 2.0	1
9	1015737	Wire Assy, #10 Red	1
10	1015741	Fuse Block	1
11	1015752	Screw, #12-16 X 0.625, Hi-Lo	5
12	101856102	Screw, 1/4-15 X 1.50, Hi-lo, Hex	1
13	102711201	Voltage Regulator	1
14	105000301	Box, Component, Electrical	1
15	105000401	Cover, Box, Component, Elec	1
16	105037401	Weldment, Bellcrank, Comp Box	1
17	1241	Washer, 5/16 Type A Flat	2
18	1242	Nut, 5/16-18 Hex	2
19	7473	Locknut, 5/16-18 Nylon Insert	2
20	7818	Bolt, Carriage, 5/16-18 X 1.5	1
21	7893	Nut, #10-32 Hex	2
22	8639	Tie Wrap, 11" Nylon	6
23	8717	Locknut, Nylon Insert, 1/4-28	1

7

G

7
G

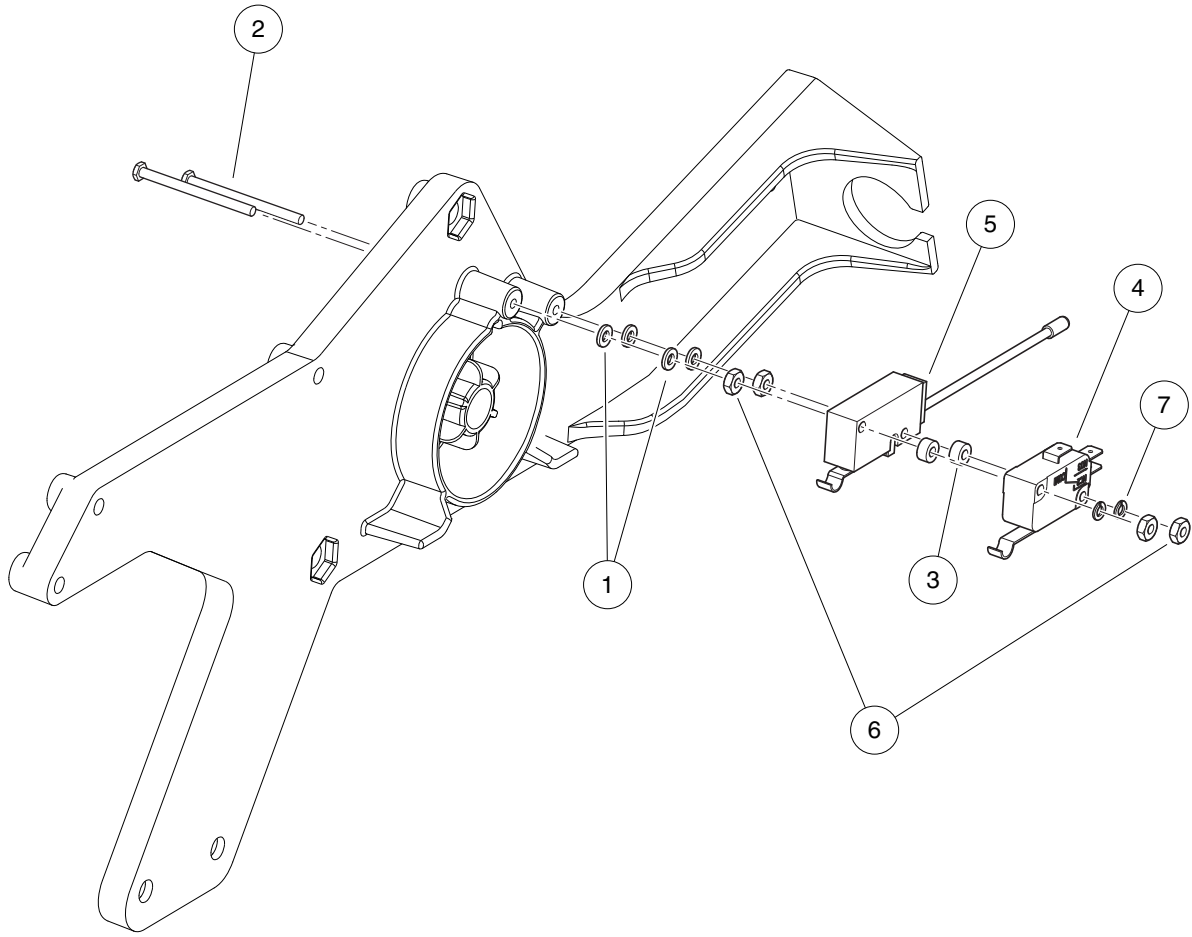


001014-001

ELECTRICAL COMPONENT BOX, PEDAL-START – EX40

ITEM	PART NO.	DESCRIPTION	QTY
		1 2 3 4	
1	1010954	Stud, Ball, 1/4-28 X 0.560	1
2	1012295	Fuse, 10-Amp	3
3	1012431	Washer, #4 Flat	2
4	1013589	Ring, Retaining, 0.338" Internal	1
5	1013609	Solenoid, 12-Volt	1
6	1014065	Washer, Flat, 0.38" ID, Delrin	1
7	1014145	Bushing, Secondary Weight, Split	2
8	1014807	Switch, Limit	1
9	1014808	Switch, Limit	1
10	1015373	Cam, Electric Box	1
11	1015405	Bolt, Carriage, 5/16-18 X 2.0	1
12	1015737	Wire Assy, #10 Red	1
13	1015741	Fuse Block	1
14	1015752	Screw, #12-16 X 0.625, Hi-Lo	5
15	1015878	Screw, #4-40 Hex Head Machine	2
16	101856102	Screw, 1/4-15 X 1.50, Hi-lo, Hex	1
17	102711201	Voltage Regulator	1
18	105000301	Box, Component, Electrical	1
19	105000401	Cover, Box, Component, Elec	1
20	105037401	Weldment, Bellcrank, Comp Box	1
21	1241	Washer, 5/16 Type A Flat	2
22	1242	Nut, 5/16-18 Hex	2
23	7473	Locknut, 5/16-18 Nylon Insert	2
24	7818	Bolt, Carriage, 5/16-18 X 1.5	1
25	7893	Nut, #10-32 Hex	2
26	8057	Nut, #4-40 Hex Machine	4
27	8058	Lockwasher, #4 Split	2
28	8639	Tie Wrap, 11" Nylon	6
29	8717	Locknut, Nylon Insert, 1/4-28	1

7
G



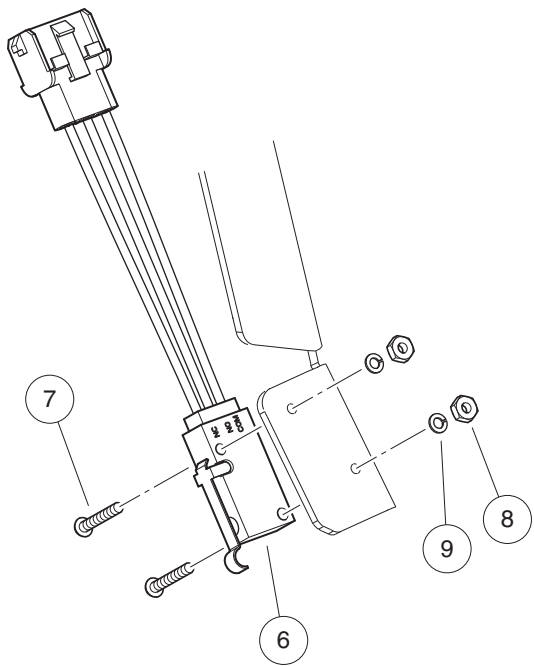
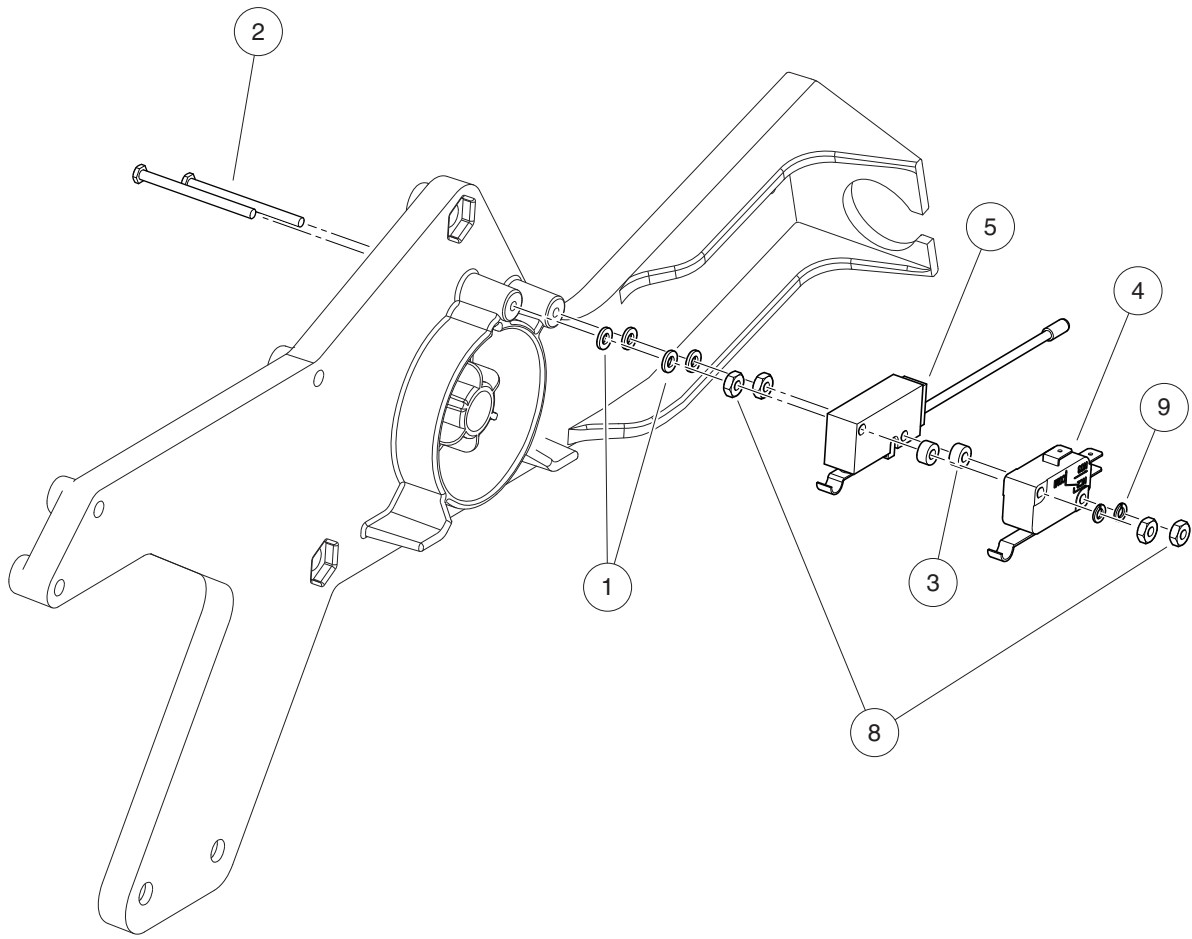
001013-002

FORWARD/REVERSE SHIFTER SWITCHES, KEY-START – EFI, CA100, 800, 242

ITEM	PART NO.	DESCRIPTION	QTY
		1 2 3 4	
1	1012431	Washer, #4 Flat	4
2	1012594	Screw, #4-40 Machine	2
3	1014727	Washer, Flat, #4, Nylon	2
4	1014807	Switch, Limit	1
5	101979101	Switch, Limit, Assembly, Sealed	1
6	8057	Nut, #4-40 Hex Machine	4
7	8058	Lockwasher, #4 Split	2

7
G

7
G



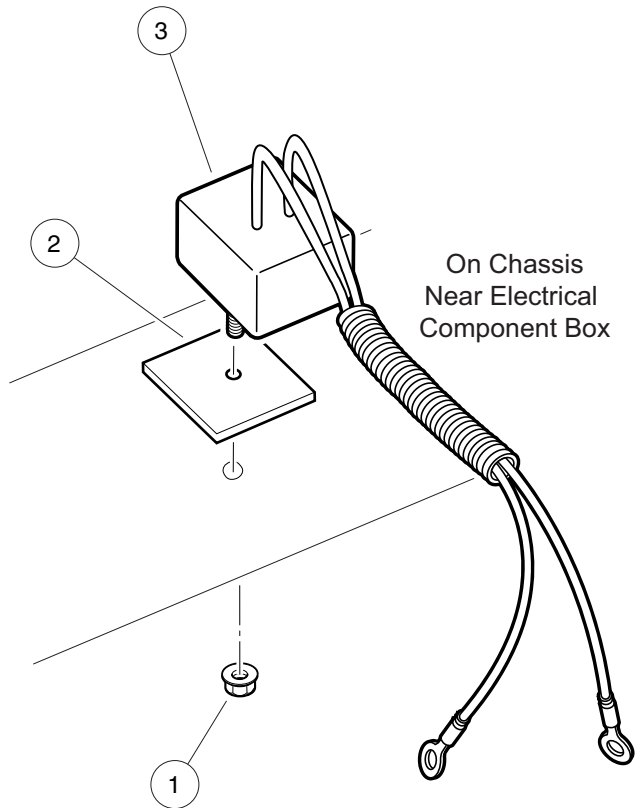
001013-001

FORWARD/REVERSE SHIFTER SWITCHES, PEDAL-START – EFI, CA100, 800, 242

ITEM	PART NO.	DESCRIPTION	QTY
		1 2 3 4	
1	1012431	Washer, #4 Flat	4
2	1012594	Screw, #4-40 Machine	2
3	1014727	Washer, Flat, #4, Nylon	2
4	1014807	Switch, Limit	1
5	101979101	Switch, Limit, Assembly, Sealed	1
6	105102601	Switch, Limit, Sealed, with 3-Wire Lead	1
7	8056	Screw, #4-40 X 0.75 Round-Head Machine	2
8	8057	Nut, #4-40 Hex Machine	6
9	8058	Lockwasher, #4 Split	4

7

G



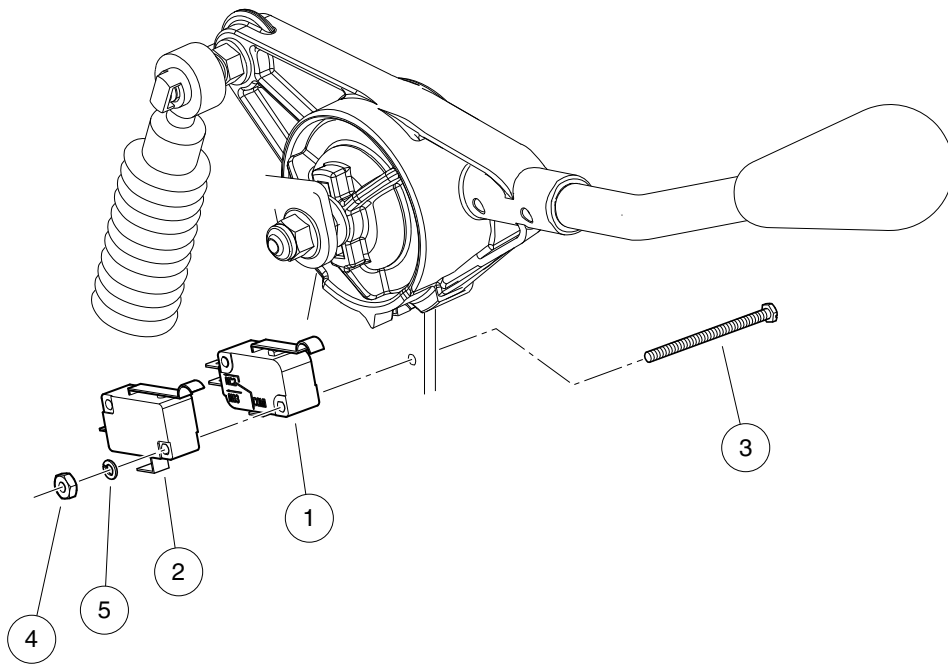
001015-001

CHARGING DIODE, KEY-START – EFI

ITEM	PART NO.	DESCRIPTION	QTY
		1 2 3 4	
1	101963401	Locknut, 5/16-18 Hex Flange	1
2	102269701	Thermal Pad	1
3	105037201	Diode, Charging	1

7

G



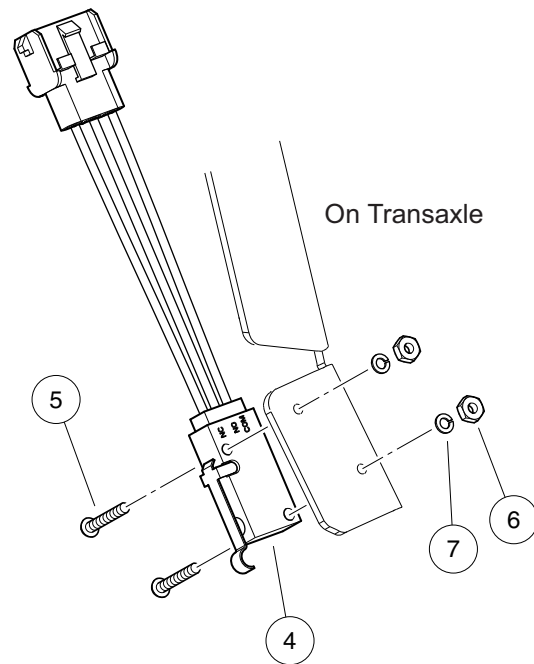
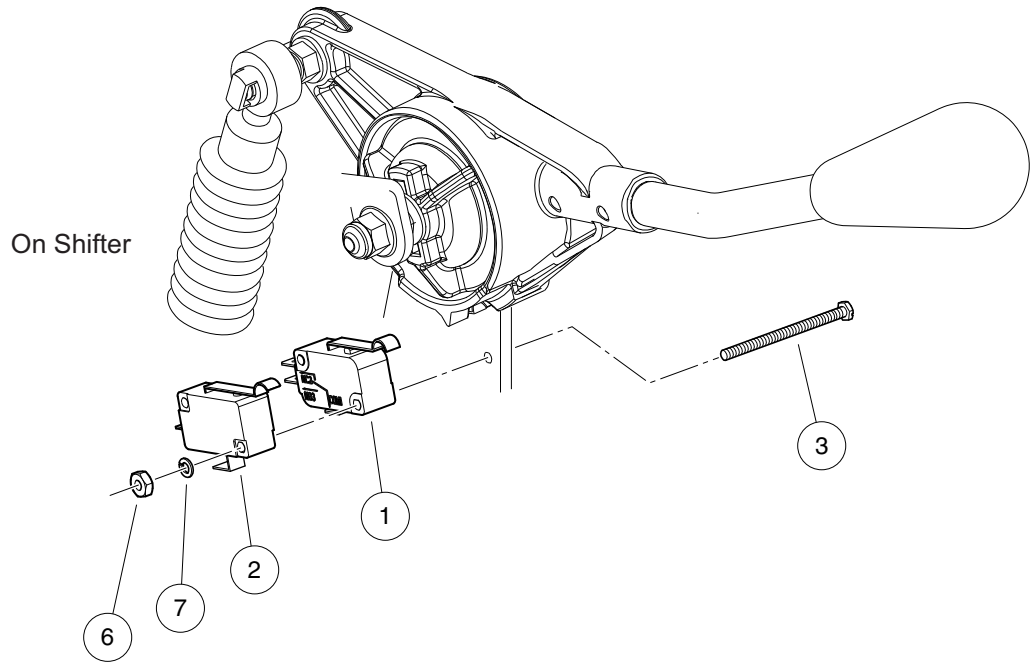
001010-002

FORWARD/REVERSE SHIFTER SWITCHES, KEY-START – EFI, VILLAGER 6, 8, 850, 850SE

ITEM	PART NO.	DESCRIPTION	QTY
		1 2 3 4	
1	1014807	Switch, Limit	1
2	1014808	Switch, Limit	1
3	1015878	Screw, #4-40 Hex Head Machine	2
4	8057	Nut, #4-40 Hex Machine	2
5	8058	Lockwasher, #4 Split	2

7
G

7
G



001010-001

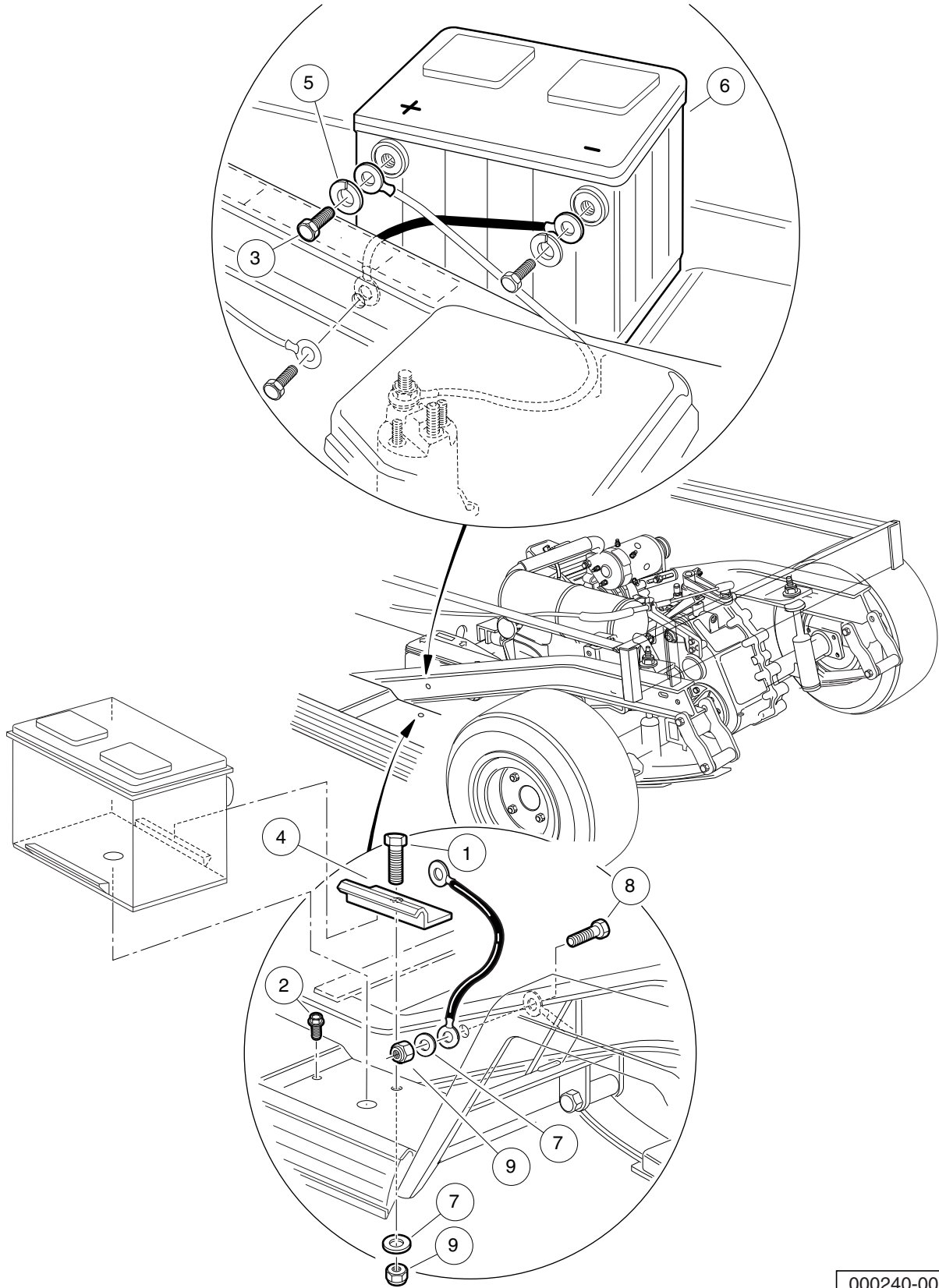
FORWARD/REVERSE SHIFTER SWITCHES, PEDAL-START – EFI, VILLAGER 6, 8, 850, 850SE

ITEM	PART NO.	DESCRIPTION	QTY
		1 2 3 4	
1	1014807	Switch, Limit	1
2	1014808	Switch, Limit	1
3	1015878	Screw, #4-40 Hex Head Machine	2
4	105102601	Switch, Limit, Sealed, with 3-Wire Lead	1
5	8056	Screw, #4-40 X 0.75 Round-Head Machine	2
6	8057	Nut, #4-40 Hex Machine	4
7	8058	Lockwasher, #4 Split	4

7

G

7
G



000240-001

BATTERY – GASOLINE UTILITY VEHICLES

ITEM	PART NO.	DESCRIPTION	QTY
		1 2 3 4	
1	1010934	Screw, 5/16-18 X 1.00 Hex Cap	1
2	1014288	Screw, 5/16-18 X 0.75, Thread-Forming	1
3	1014375	Screw, 3/8-16 X 0.50, Stainless Steel, Hex-Head	2
4	101898001	Clamp, Battery	1
5	101898101	Retainer - Battery	1
6	102355301	Lockwasher, 3/8 Split Ss	2
7	103496801	Battery, Start, 12v	1
8	1241	Washer, 5/16 Type A Flat	2
9	1606	Rivet, 3/16 X .500 Alum Pop	2
10	7173	Screw, 5/16-18 X 0.75, Hex-Head Cap	1
11	7473	Locknut, 5/16-18 Nylon Insert	2

7

G

7

G

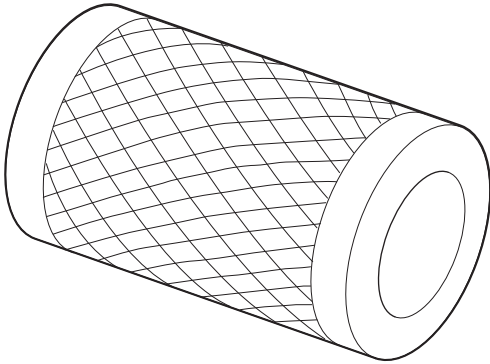
ENGINE (SUBARU EX40)

8

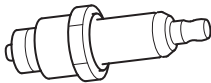
G

8

G



1



2

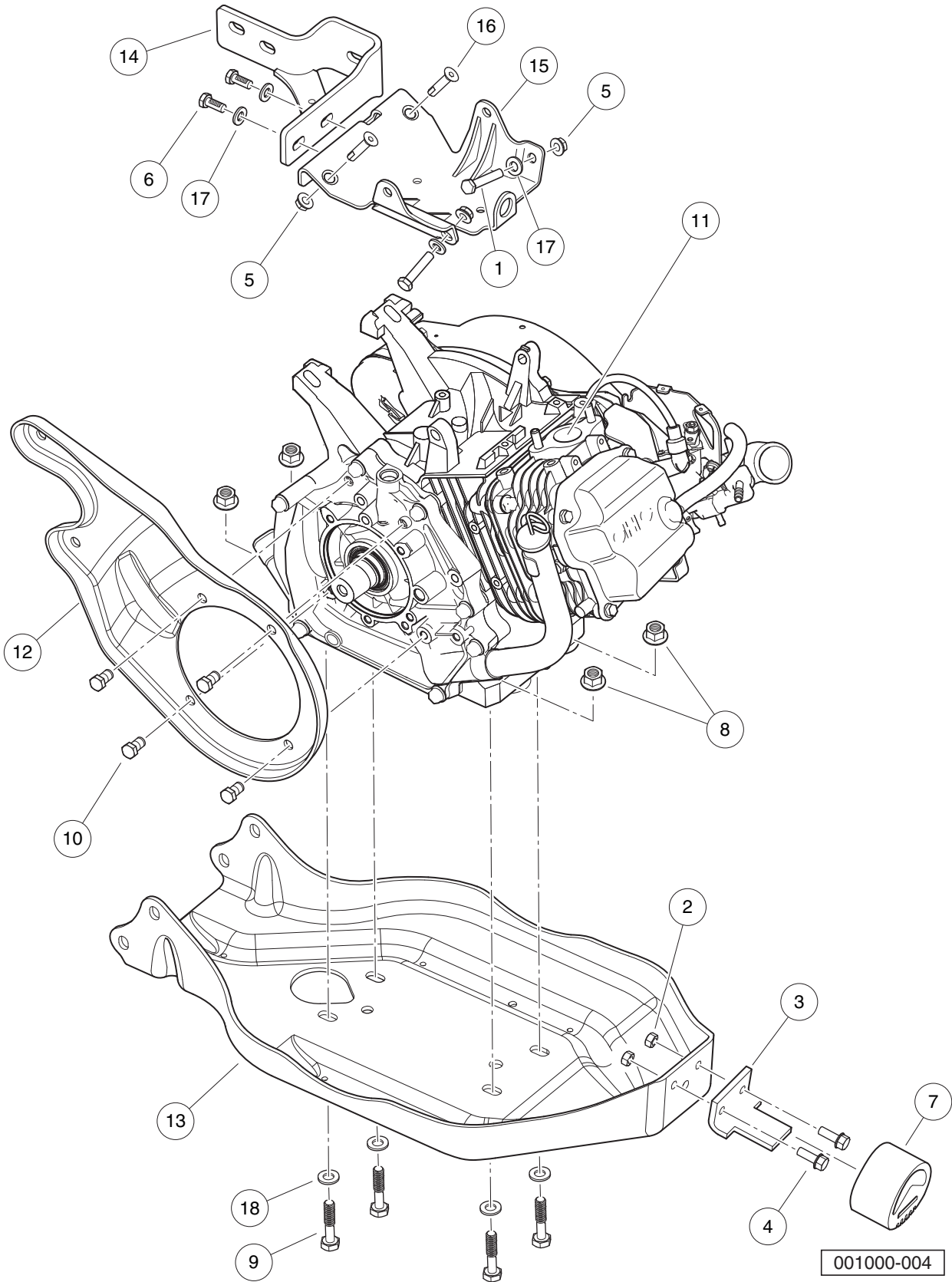
000992-003

TUNE-UP PARTS – SUBARU EX40

ITEM	PART NO.	DESCRIPTION	QTY
		1 2 3 4	
1	102558201	Air Filter, 4 Inch	1
2	47539956001	Spark Plug, Ex40, Brp4hs	1

8

G

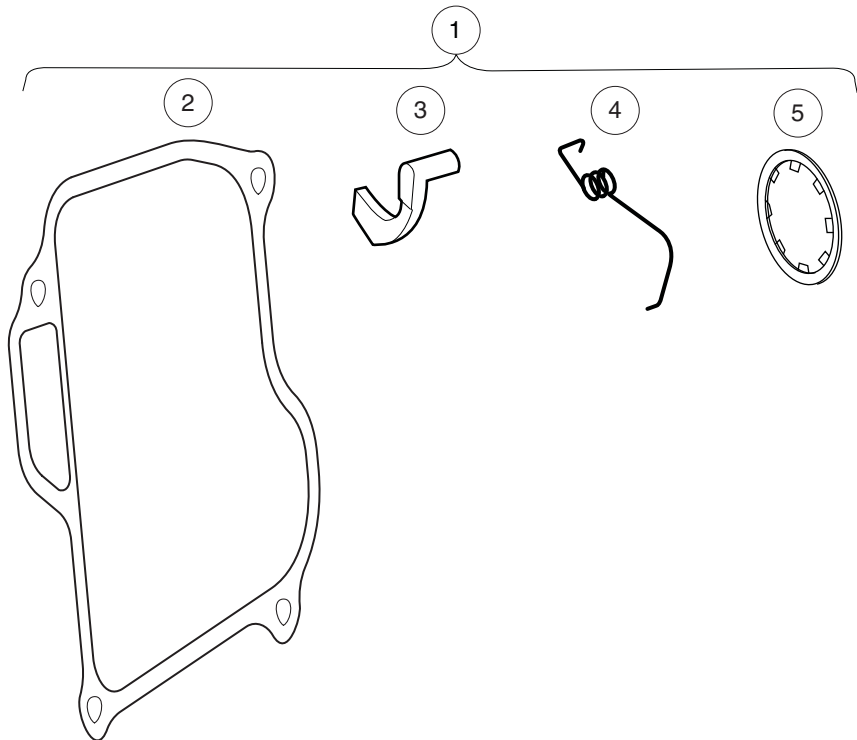


001000-004

ENGINE AND ENGINE MOUNTING, UTILITY

ITEM	PART NO.	DESCRIPTION	QTY
		1 2 3 4	
1	1010577	Bolt, Hex-Head, 5/16-18 X 1.50	2
2	1013924	Nut, 5/16-24, Hex Head Cone	2
3	101834602	Bracket, Snubber, Tall	1
4	101884801	Screw, 5/16-24 X 0.875, Grade-8	2
5	101963401	Locknut, 5/16-18 Hex Flange	4
6	102242101	Screw, 5/16-18 X 3/4 Hex-Head with Patch	2
7	102540301	Snubber, Inner Frame	1
8	102617201	Nut, Flanged, M10 X 1.5, Mechanically Deformed	4
9	102732401	Bolt, M10 X 45, Zn-Ni (Black)	4
10	103508101	Bolt, 3/8-16 X .75 Lock Patch	4
11	103882802	Engine, Gas, Subaru EX40, EFI, with Compression Release	1
12	103979401	Plate, Mounting, CVT, Center	1
13	103982201	Plate, Engine/Axle Mounting	1
14	105134601	Bracket, Mounting, Transaxle/Exhaust, EX40	1
15	105149301	Bracket, Mounting, Starter/Generator, EX40	1
16	105262401	Screw, 5/16-18 X 1.25, Cs, Lck	2
17	1241	Washer, 5/16 Type A Flat	4
18	96741046	Washer, M10, Hard	4

8
G

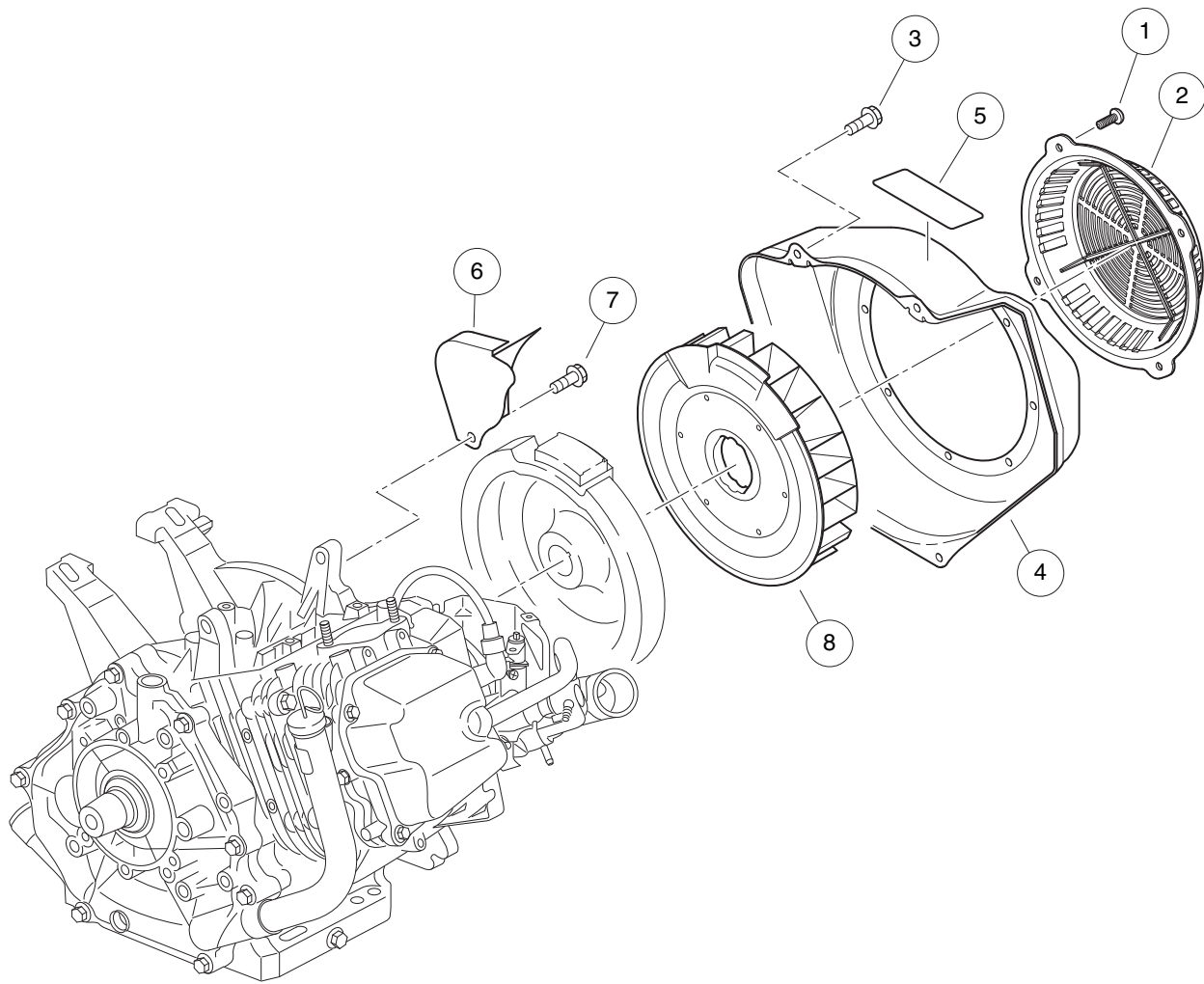


001441-001

AUTOMATIC COMPRESSION RELEASE (ACR) SERVICE KIT – SUBARU EX40

ITEM	PART NO.	DESCRIPTION	QTY
		1 2 3 4	
1	47599382001	Kit, Acr, Subaru, Ex40 (includes items 2 through 5)	1
2	47540040001	Gasket, Rocker Cover, Sub	1
3	47600421001	Lever, Release, Acr, Ex40	1
4	47600422001	Spring, Return, Acr, Ex40	1
5	47600423001	Clip, Retaining, Acr, Ex40	1

8
G



001001-001

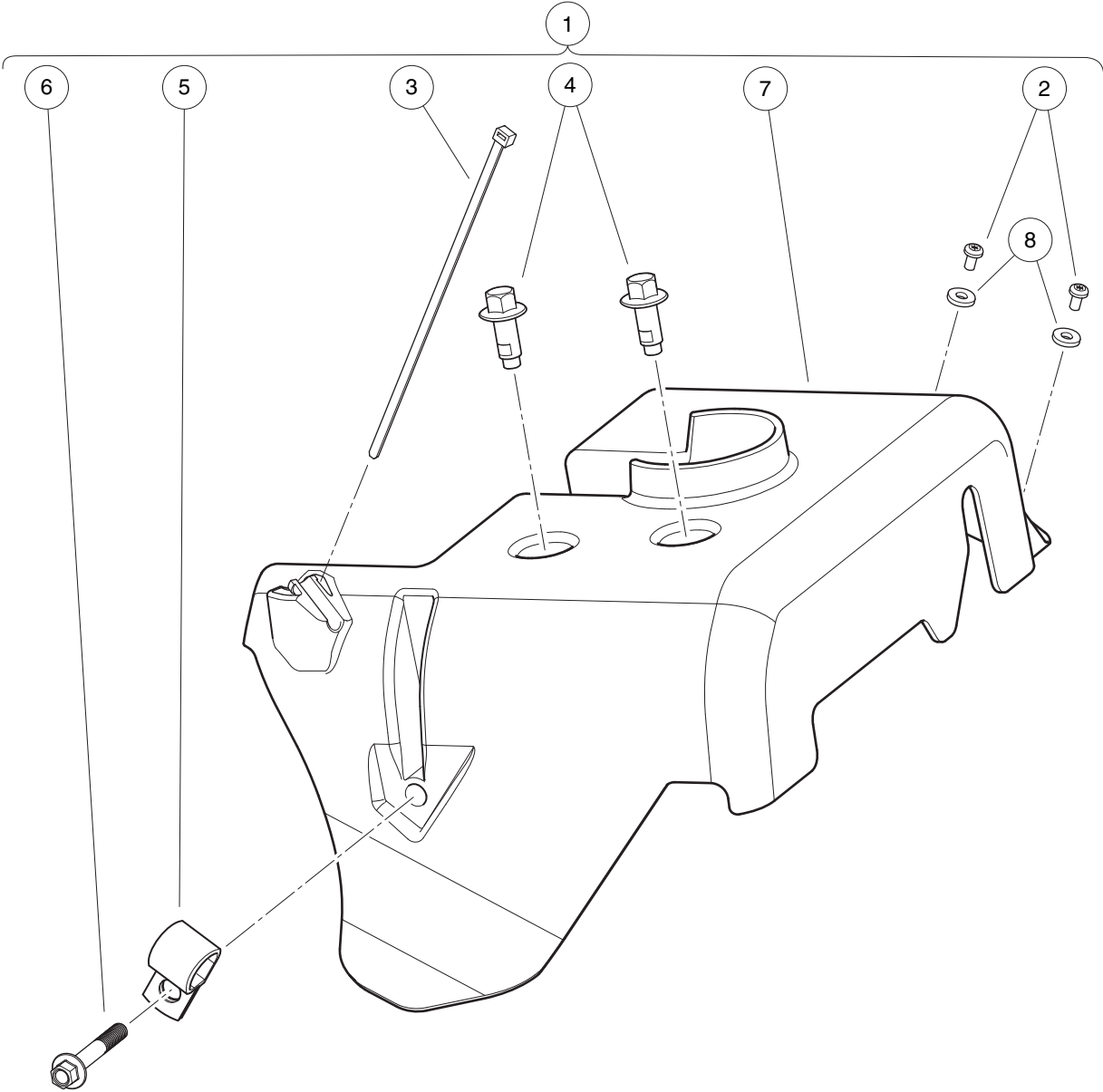
FAN AND SHROUD – EX40

ITEM	PART NO.	DESCRIPTION	QTY
		1 2 3 4	
1	1015969	Screw, M6-1.00 X 10mm, Pan Hd	4
2	103995901	Cover, Fan, EX40	1
3	105012601	Bolt, Flange, M6x1.0x12, EX40	4
4	105016701	Housing, Fan, EX40	1
5	105016801	Label, Engine Warning, EX40	1
6	105016901	Baffle, Crankcase, EX40	1
7	105017001	Bolt, Baffle, M8x1.25x12 Ex40	1
8	105017101	Fan, Cooling, EX40	1

8

G

8
G



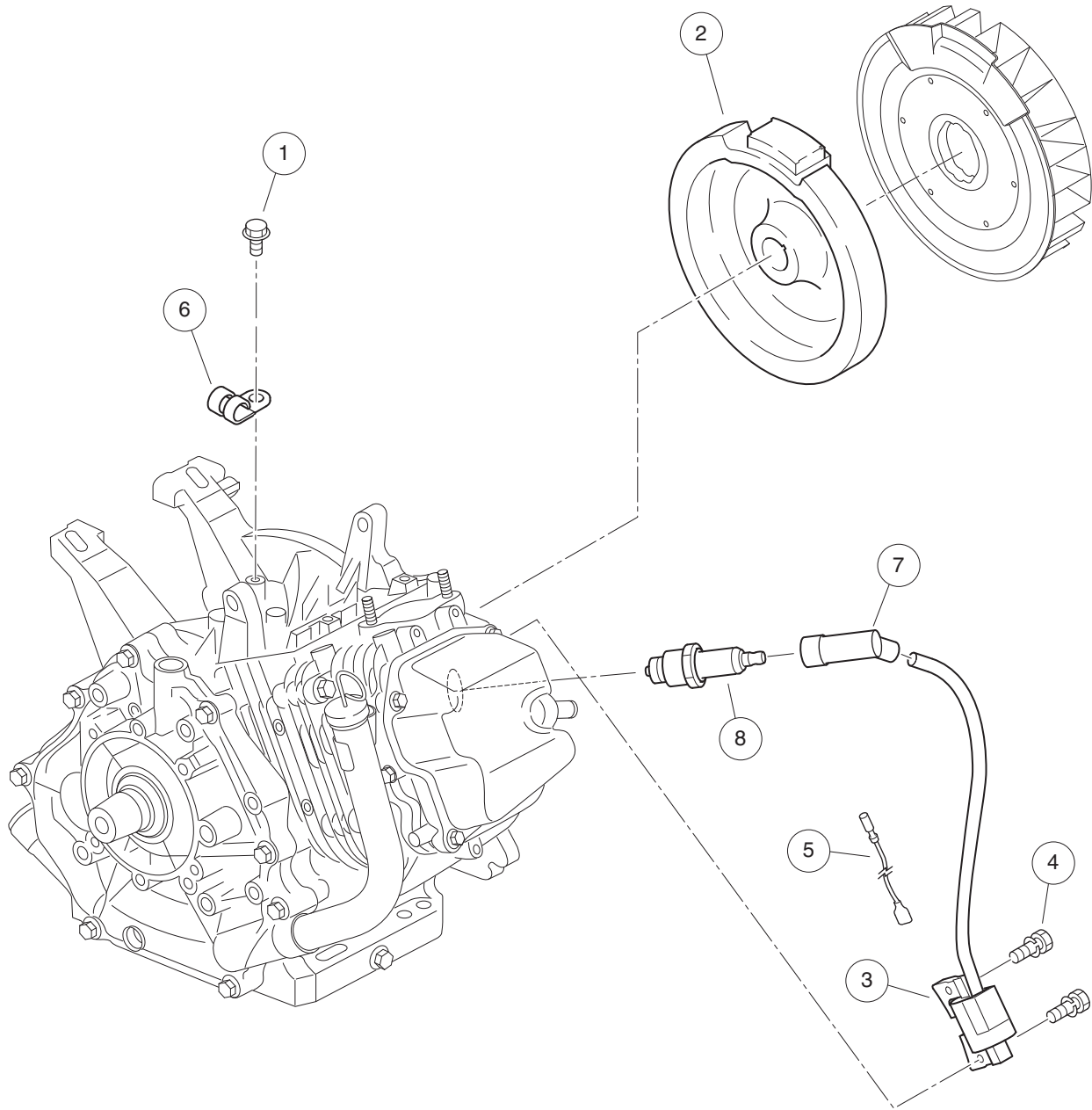
001002-001

AIR DEFLECTOR – EX40

ITEM	PART NO.	DESCRIPTION	QTY
		1 2 3 4	
1	105084801	Kit, Air Deflector, Subaru EX40 (includes items 2 through 8)	1
2	1016103	Screw, Pan Hd Tx, Taptite 6-32	2
3	101824101	Tie Wrap, Black	1
4	102298116	Bolt, Flanged Head, M8 X 16.0	2
5	102410604	P-clamp, Insulated, 0.625 Inch	1
6	102541402	Bolt, M6x1.0x40, Hex Flange Head, Blk-l	1
7	105075301	Deflector, Air, Subaru EX40	1
8	7591	Washer, #6, Flat	2

8

G

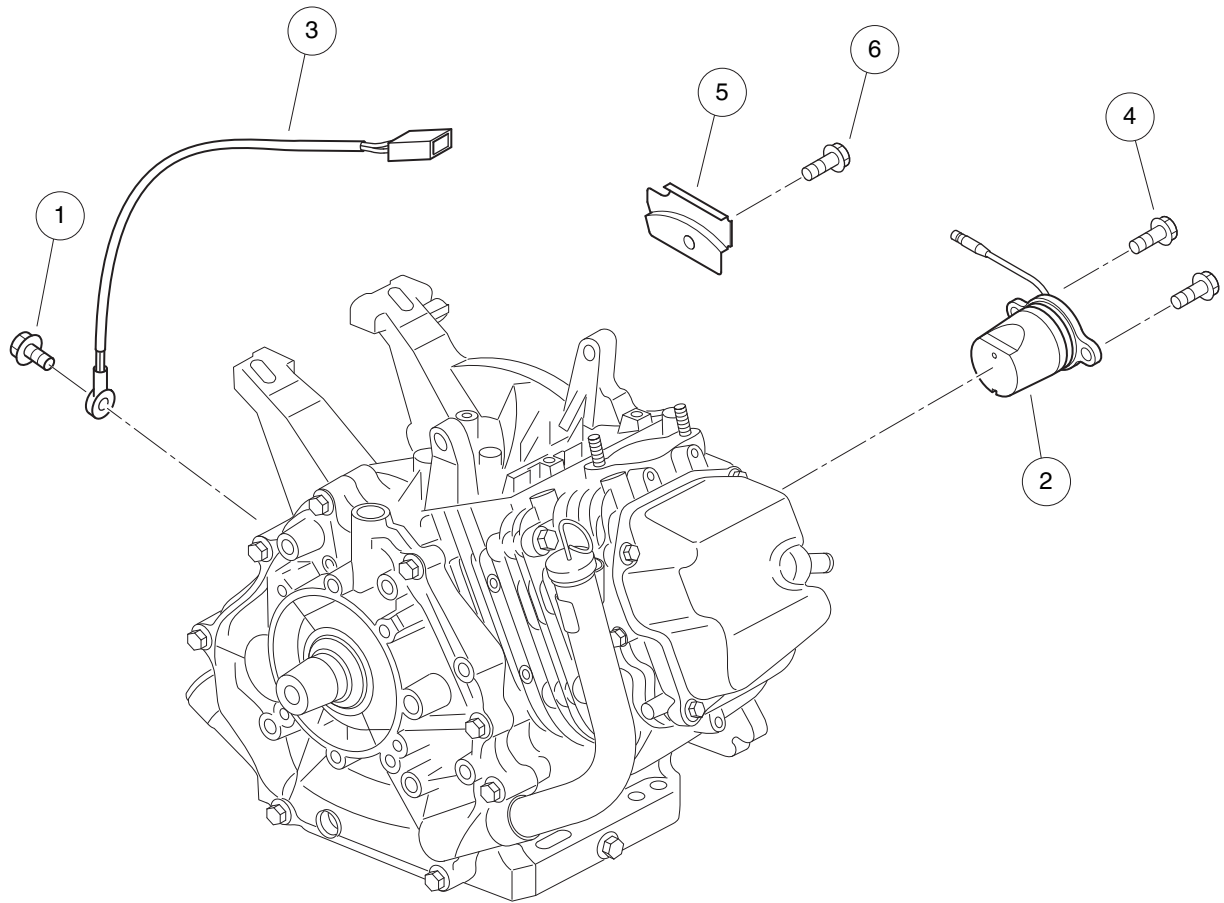


001003-002

IGNITION COMPONENTS AND FLYWHEEL – EX40

ITEM	PART NO.	DESCRIPTION	QTY
		1 2 3 4	
1	105016001	Bolt, Flange, M6x1.0x8, EX40	1
2	105017301	Flywheel, EX40	1
3	105017401	Coil, Ignition, CDI, EX40	1
4	105017501	Asm, Bolt-Washer, Coil, EX40	2
5	105017601	Asm, Wire, Coil Control, EX40	1
6	105017701	Clamp, Coil Control Wire, EX40	1
7	105017901	Cap, Spark Plug, EX40	1
8	47539956001	Spark Plug, Ex40, Brp4hs	1

8
G



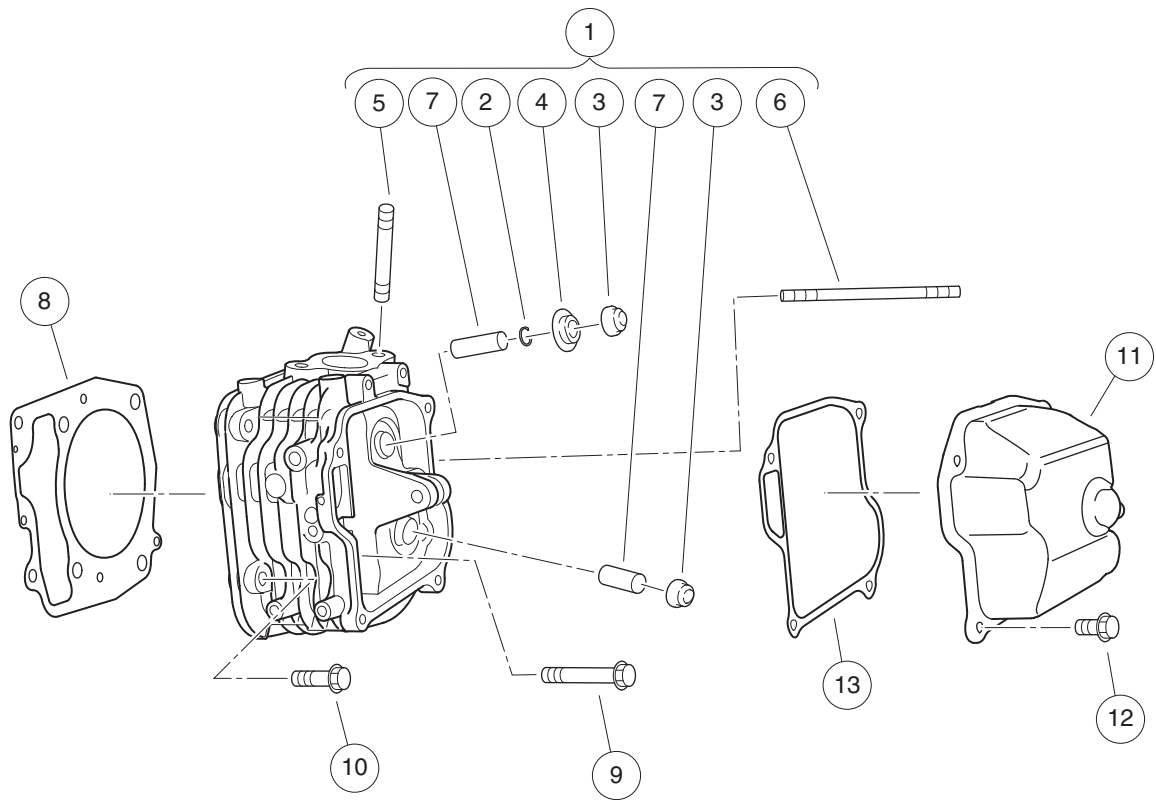
001004-001

SENSORS – EX40

ITEM	PART NO.	DESCRIPTION	QTY
		1 2 3 4	
1	105012601	Bolt, Flange, M6x1.0x12, EX40	1
2	105018001	Sensor, Oil Level, EX40	1
3	105018101	Sensor, Temperature, EX40	1
4	105018201	Bolt, Oil Sensor, M6x1.0x14, EX40	2
5	105018301	Clamp, Oil Sensor Wire, EX40	1
6	105018401	Bolt, Tap, Oil Wire Clamp, EX40	1

8

G



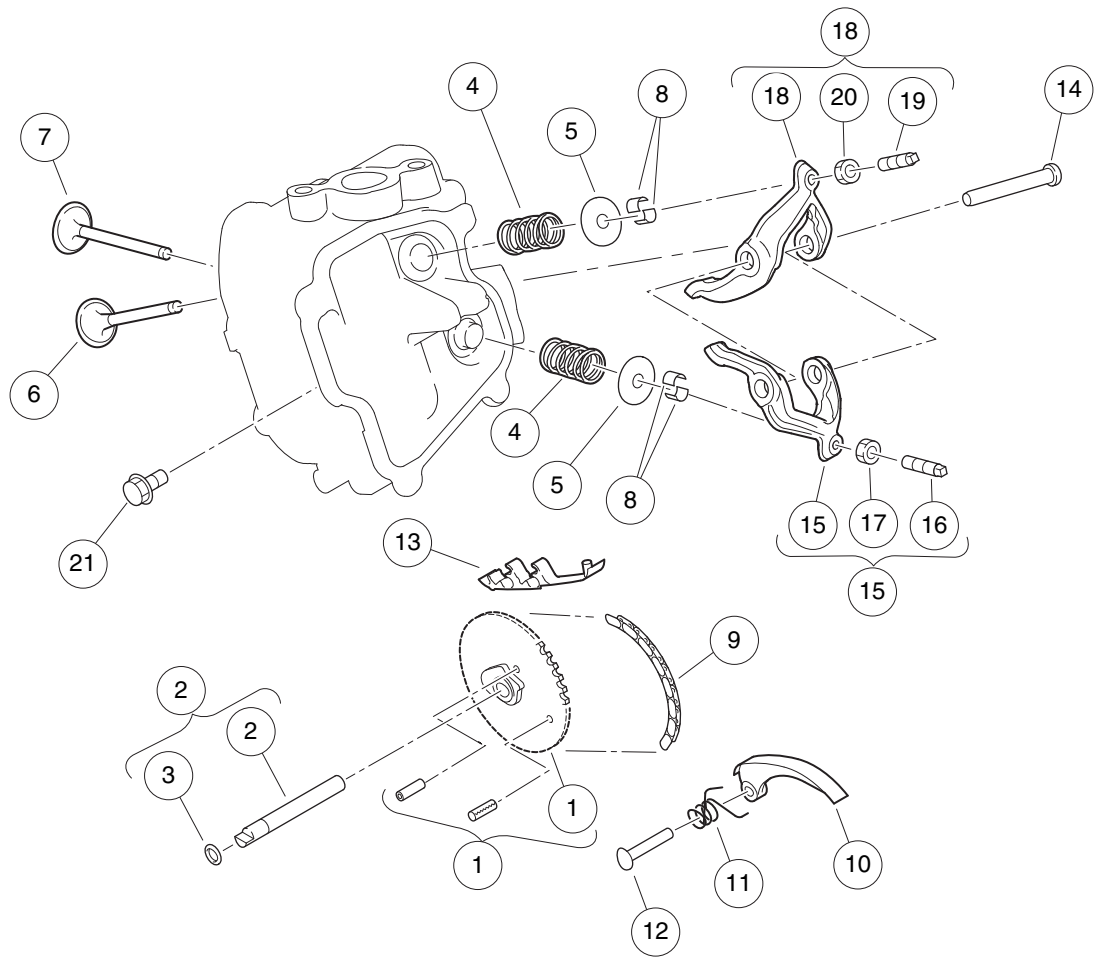
001005-002

CYLINDER HEAD – EX40

ITEM	PART NO.	DESCRIPTION	QTY
		1 2 3 4	
1	105011901	Asm, Cylinder Head, EX40 (includes items 2 through 7)	1
2	105010101	Clip, Retainer Plate, EX40	1
3	105010201	Seal, Valve, EX40	2
4	105010301	Plate, Retainer, EX40	1
5	105010801	Stud, Mounting, Exhaust, EX40	2
6	105010901	Stud, Mounting, Intake, EX40	2
7	105018501	Guide, Valve, EX40	2
8	105012001	Gasket, Head, EX40	1
9	105012101	Bolt, Head, M10x1.25x75, EX40	4
10	105012201	Bolt, Head, M8x1.25x35, EX40	2
11	105012301	Cover, Rocker, EX40	1
12	105012601	Bolt, Flange, M6x1.0x12, EX40	4
13	47540040001	Gasket, Rocker Cover, Sub	1

8

G

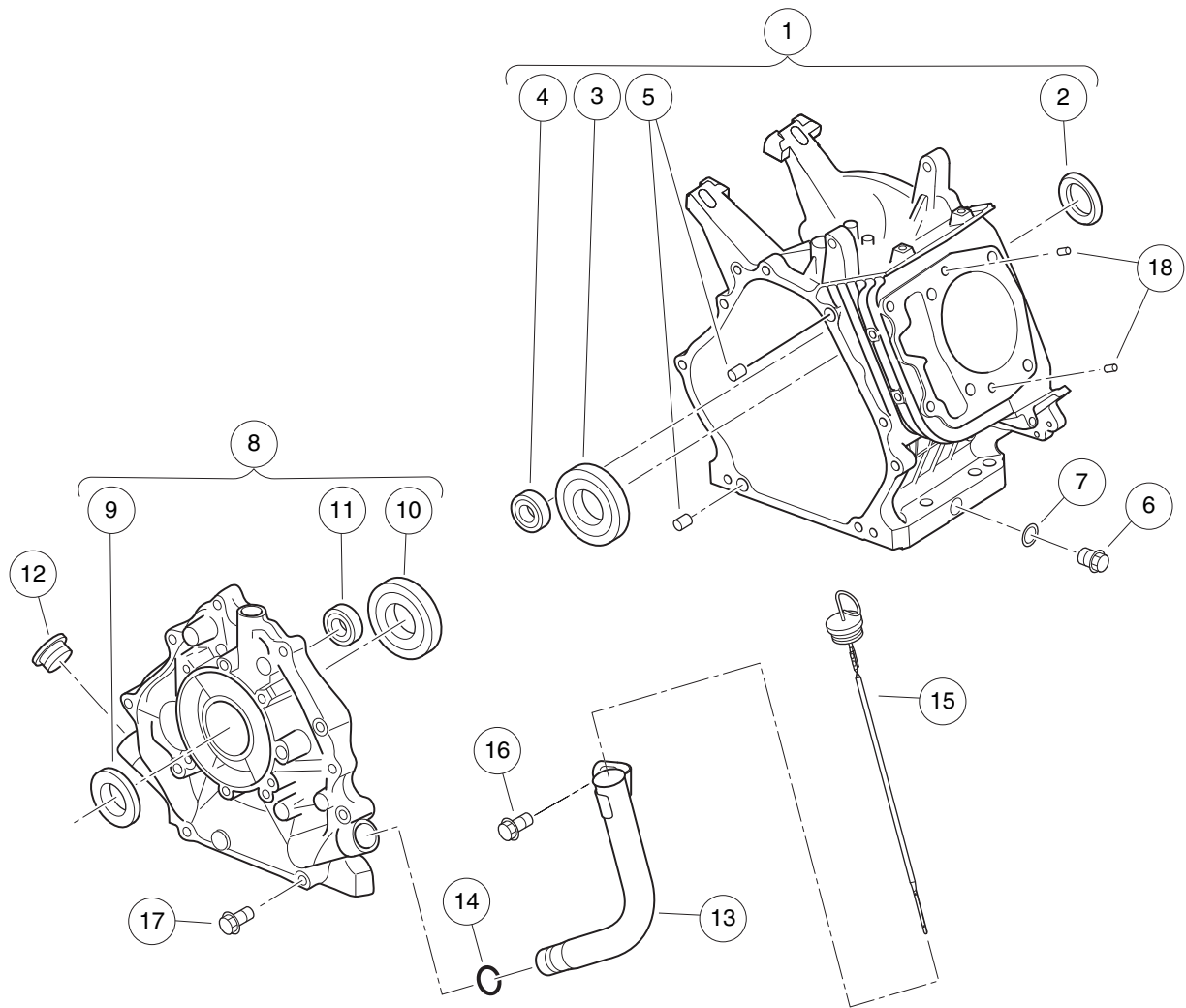


001006-001

VALVETRAIN AND TIMING CHAIN – EX40

ITEM	PART NO.	DESCRIPTION	QTY
		1 2 3 4	
1	105014201	Asm, Cam/Chain Sprocket, EX40	1
2	105014301	Asm, Camshaft and O-ring, EX40 (includes item 3)	1
3	105014401	O-ring, Camshaft, EX40	1
4	105014501	Spring, Valve, EX40	2
5	105014601	Retainer, Spring, EX40	2
6	105014701	Valve, Intake, EX40	1
7	105014801	Valve, Exhaust, EX40	1
8	105014901	Collet, Valve, EX40	4
9	105015001	Chain, Timing, EX40	1
10	105015101	Tensioner, Chain, EX40	1
11	105015201	Spring, Tension, EX40	1
12	105015301	Pin, Tensioner, EX40	1
13	105015401	Guide, Chain, EX40	1
14	105015501	Shaft, Rocker, EX40	1
15	105015601	Asm, Rocker Arm, Intake, EX40 (includes items 16 and 17)	1
16	105015801	Screw, Adjust, Valve, EX40	1
17	105015901	Nut, Adjust, Valve, EX40	1
18	105015701	Asm, Rocker Arm, Exhaust, EX40 (includes items 19 and 20)	1
19	105015801	Screw, Adjust, Valve, EX40	1
20	105015901	Nut, Adjust, Valve, EX40	1
21	105016001	Bolt, Flange, M6x1.0x8, EX40	1

8
G



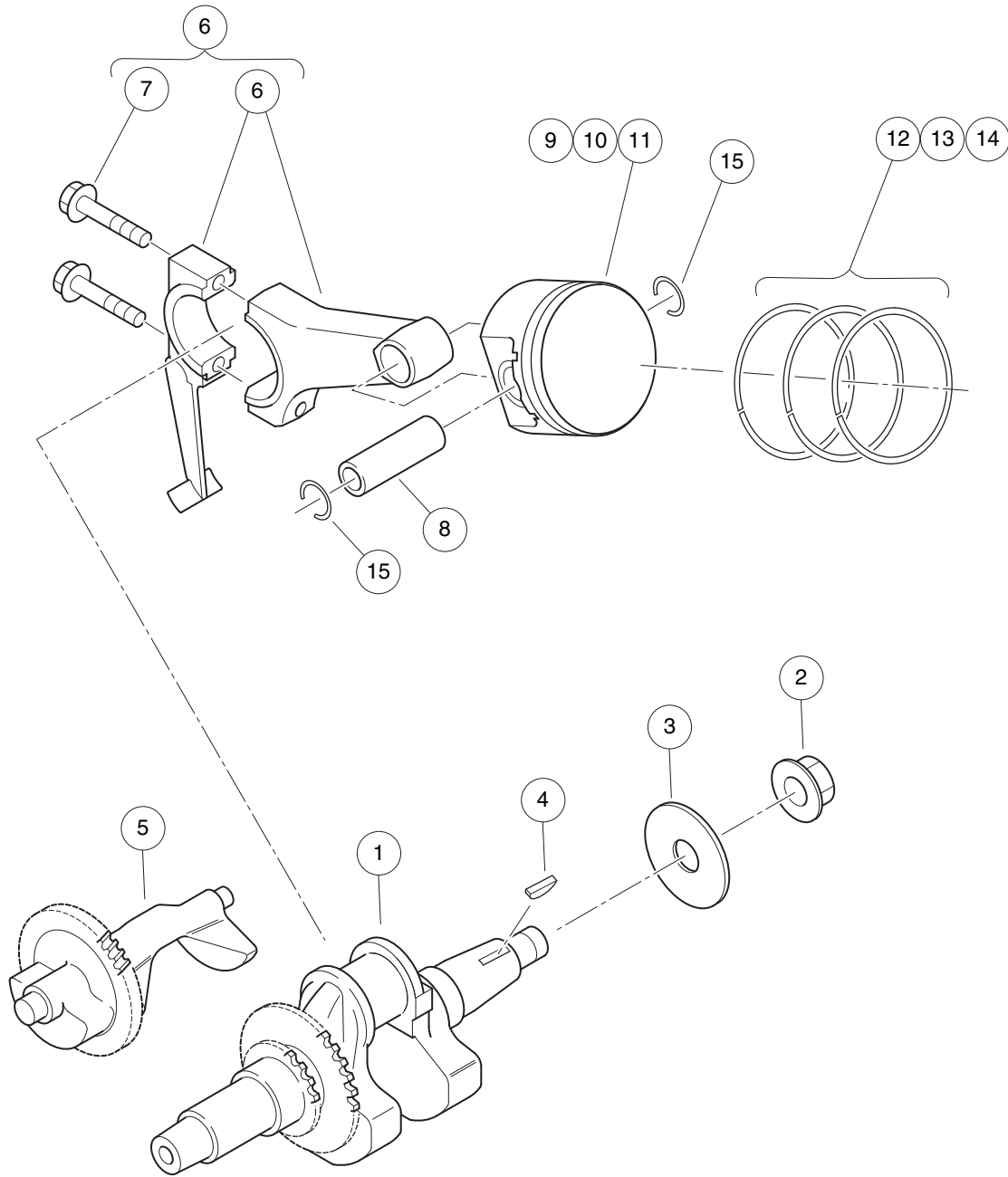
001007-001

CRANKCASE – EX40

ITEM	PART NO.	DESCRIPTION	QTY
		1 2 3 4	
1	105010001	Crankcase, EX40 (includes items 2 through 5)	1
2	105010401	Seal, Oil, Crankshaft, EX40	1
3	105010501	Bearing, Crankshaft, EX40	1
4	105010601	Bearing, Balance Shaft, EX40	1
5	105010701	Pin, Guide, Crankcase, EX40	2
6	105011001	Plug, Oil Drain, EX40	2
7	105011101	Gasket, Oil Drain Plug, EX40	2
8	105011201	Asm, Cover, Crankcase, EX40 (includes items 9 through 11)	1
9	105010401	Seal, Oil, Crankshaft, EX40	1
10	105010501	Bearing, Crankshaft, EX40	1
11	105010601	Bearing, Balance Shaft, EX40	1
12	105011301	Plug, Rubber, Crankcase, EX40	1
13	105011401	Tube, Oil Filler, EX40	1
14	105011501	O-ring, Oil Filler Tube, EX40	1
15	105011601	Dipstick, EX40	1
16	105011701	Bolt, Filler Tube, M8x1.25x12, EX40	1
17	105011801	Bolt, Case Cover, M8x1.25x38, EX40	8
18	105012501	Pin, Guide, Head, EX40	2

8

G



001008-001

CRANKSHAFT AND PISTON – EX40

ITEM	PART NO.	DESCRIPTION	QTY
		1 2 3 4	
1	105012701	Crankshaft, EX40	1
2	105012801	Nut, Crankshaft M18x1.5 Ex40	1
3	105012901	Washer, Crankshaft Ex40	1
4	105013001	Key, Woodruff, Crankshaft, EX40	1
5	105013101	Shaft, Balance, EX40	1
6	105013201	Asm, Rod, Connecting, EX40 (includes item 7)	1
7	105013301	Bolt, Rod M8x1.25x40 Ex40	2
8	105013401	Pin, Piston, EX40	1
9	105013501	Piston, Standard, EX40	1
10	105013601	Piston, 0.25 mm Oversize, EX40	1
11	105013701	Piston, 0.50 mm Oversize, EX40	1
12	105013801	Set, Piston Ring, Standard, EX40	1
13	105013901	Set, Piston Ring, 0.25 mm Oversize, EX40	1
14	105014001	Set, Piston Ring, 0.50 mm Oversize, EX40	1
15	105014101	Clip, Piston Pin, EX40	2

8

G

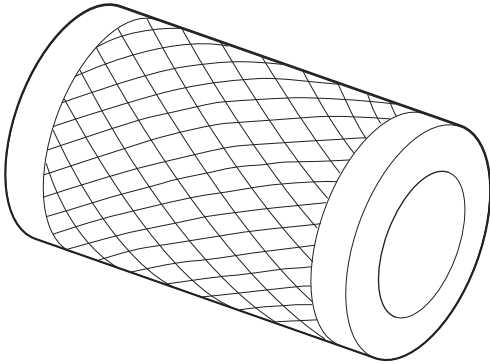
8

G

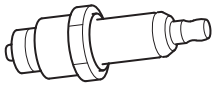
ENGINE (SUBARU EX40)

9

G



1



2

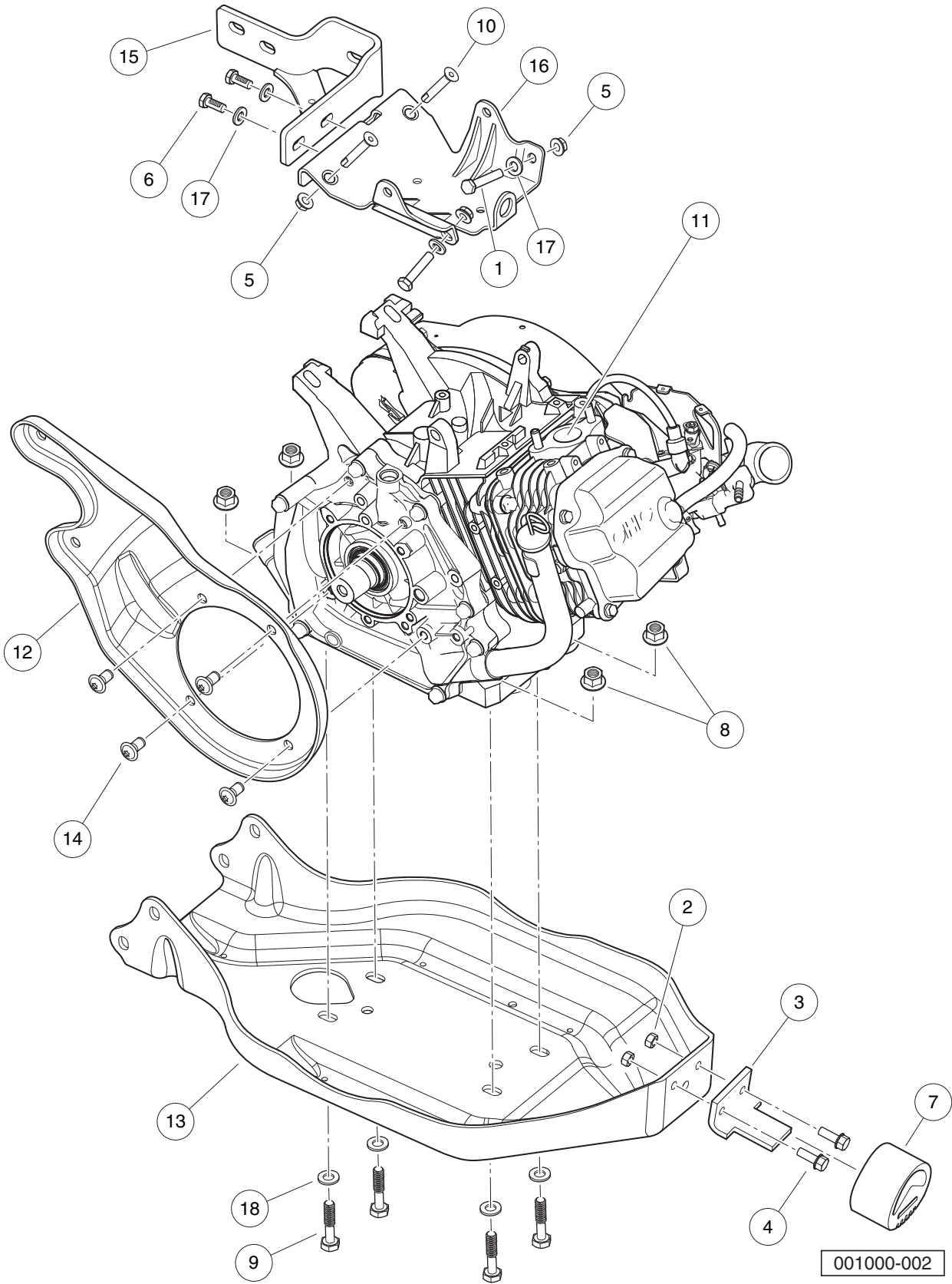
000992-003

TUNE-UP PARTS – SUBARU EX40

ITEM	PART NO.	DESCRIPTION	QTY
1	102558201	1 2 3 4 Air Filter, 4 Inch	1
2	105017801	Spark Plug, Subaru EX40	1

9

G

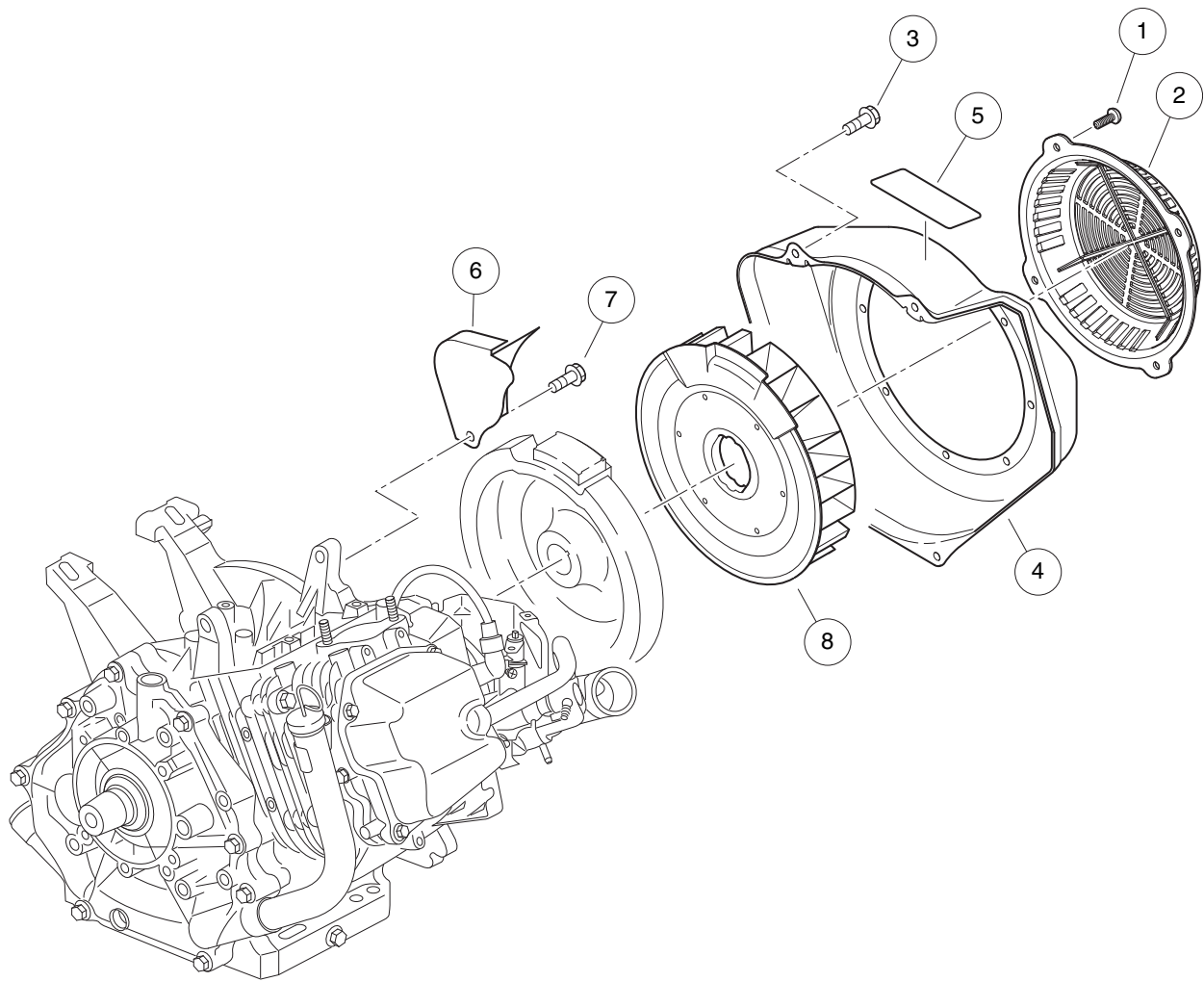


ENGINE AND ENGINE MOUNTING, UTILITY – EX40

ITEM	PART NO.	DESCRIPTION	QTY
		1 2 3 4	
1	1010577	Bolt, Hex-Head, 5/16-18 X 1.50	2
2	1013924	Nut, 5/16-24, Hex Head Cone	2
3	101834602	Bracket, Snubber, Tall	1
4	101884801	Screw, 5/16-24 X 0.875, Grade-8	2
5	101963401	Locknut, 5/16-18 Hex Flange	4
6	102242101	Screw, 5/16-18 X 3/4 Hex-Head with Patch	2
7	102540301	Snubber, Inner Frame	1
8	102617201	Nut, Flanged, M10 X 1.5, Mechanically Deformed	4
9	102732401	Bolt, M10 X 45, Zn-Ni (Black)	4
10	103196202	5/16-18x1.75, Bolt, Loctite	2
11	103882801	Engine, Gas, Subaru EX40, EFI	1
12	103979401	Plate, Mounting, CVT, Center	1
13	103982201	Plate, Engine/Axle Mounting	1
14	103996201	Screw, 3/8-16 X .75, Btn Hd Cap	4
15	105134601	Bracket, Mounting, Transaxle/Exhaust, EX40	1
16	105149301	Bracket, Mounting, Starter/Generator, EX40	1
17	1241	Washer, 5/16 Type A Flat	4
18	96741046	Washer, M10, Hard	4

9

G



001001-001

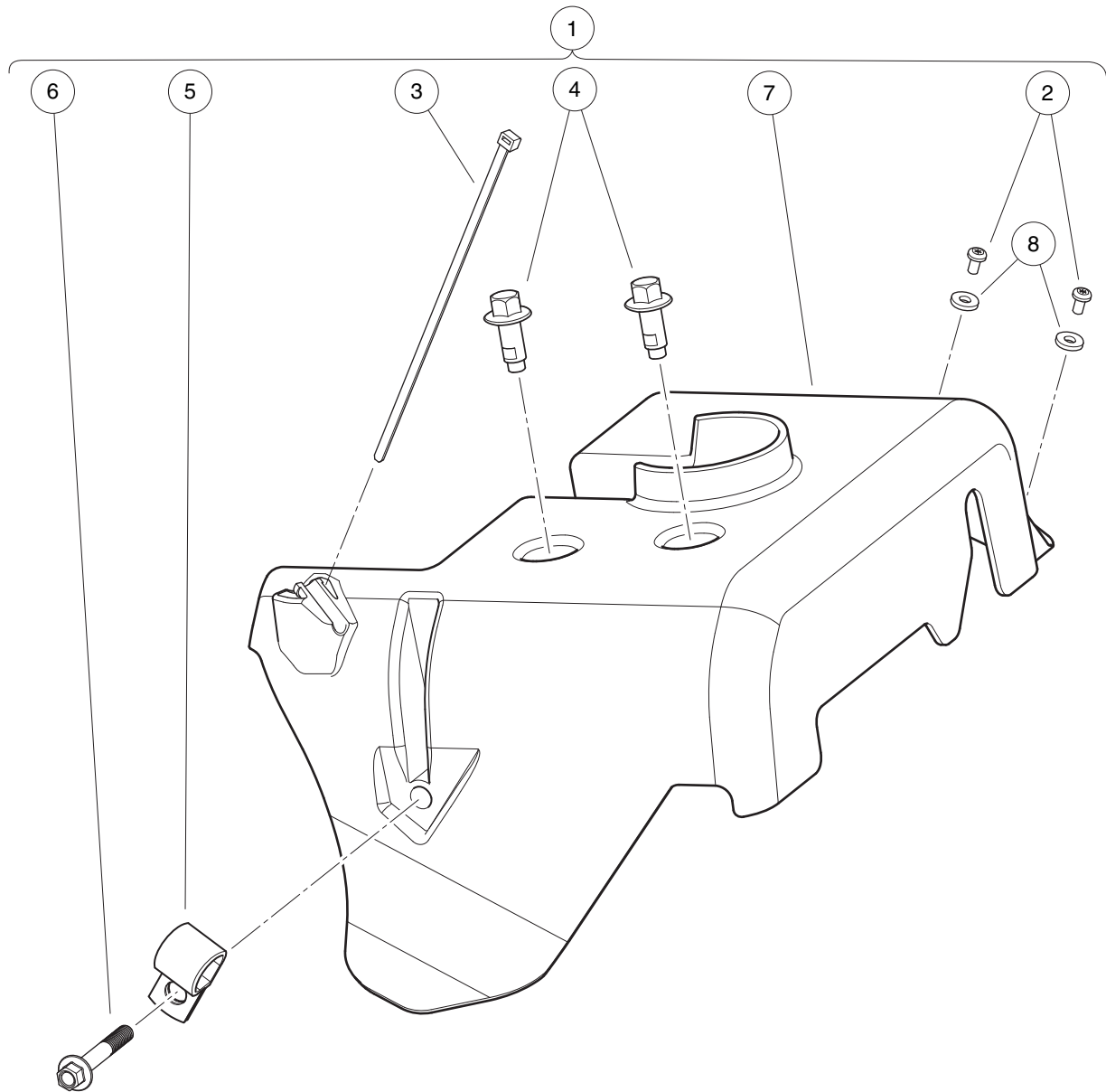
FAN AND SHROUD – EX40

ITEM	PART NO.	DESCRIPTION	QTY
		1 2 3 4	
1	1015969	Screw, M6-1.00 X 10mm, Pan Hd	4
2	103995901	Cover, Fan, EX40	1
3	105012601	Bolt, Flange, M6x1.0x12, EX40	4
4	105016701	Housing, Fan, EX40	1
5	105016801	Label, Engine Warning, EX40	1
6	105016901	Baffle, Crankcase, EX40	1
7	105017001	Bolt, Baffle, M8x1.25x12 Ex40	1
8	105017101	Fan, Cooling, EX40	1

9

G

9
G



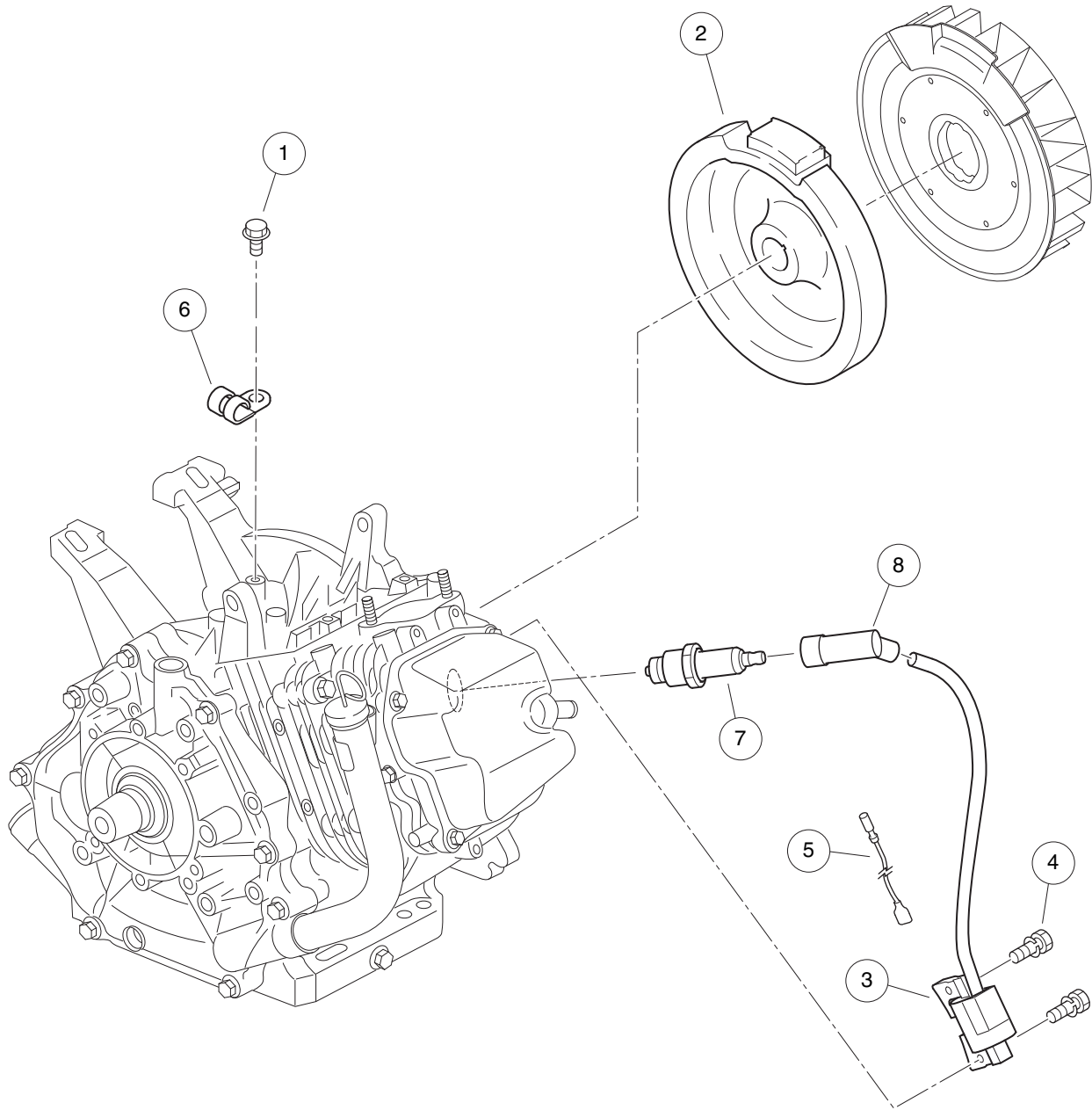
001002-001

AIR DEFLECTOR – EX40

ITEM	PART NO.	DESCRIPTION	QTY
		1 2 3 4	
1	105084801	Kit, Air Deflector, Subaru EX40 (includes items 2 through 8)	1
2	1016103	Screw, Pan Hd Tx, Taptite 6-32	2
3	101824101	Tie Wrap, Black	1
4	102298116	Bolt, Flanged Head, M8 X 16.0	2
5	102410604	P-clamp, Insulated, 0.625 Inch	1
6	102541402	Bolt, M6x1.0x40, Hex Flange Head, Blk-l	1
7	105075301	Deflector, Air, Subaru EX40	1
8	7591	Washer, #6, Flat	2

9

G



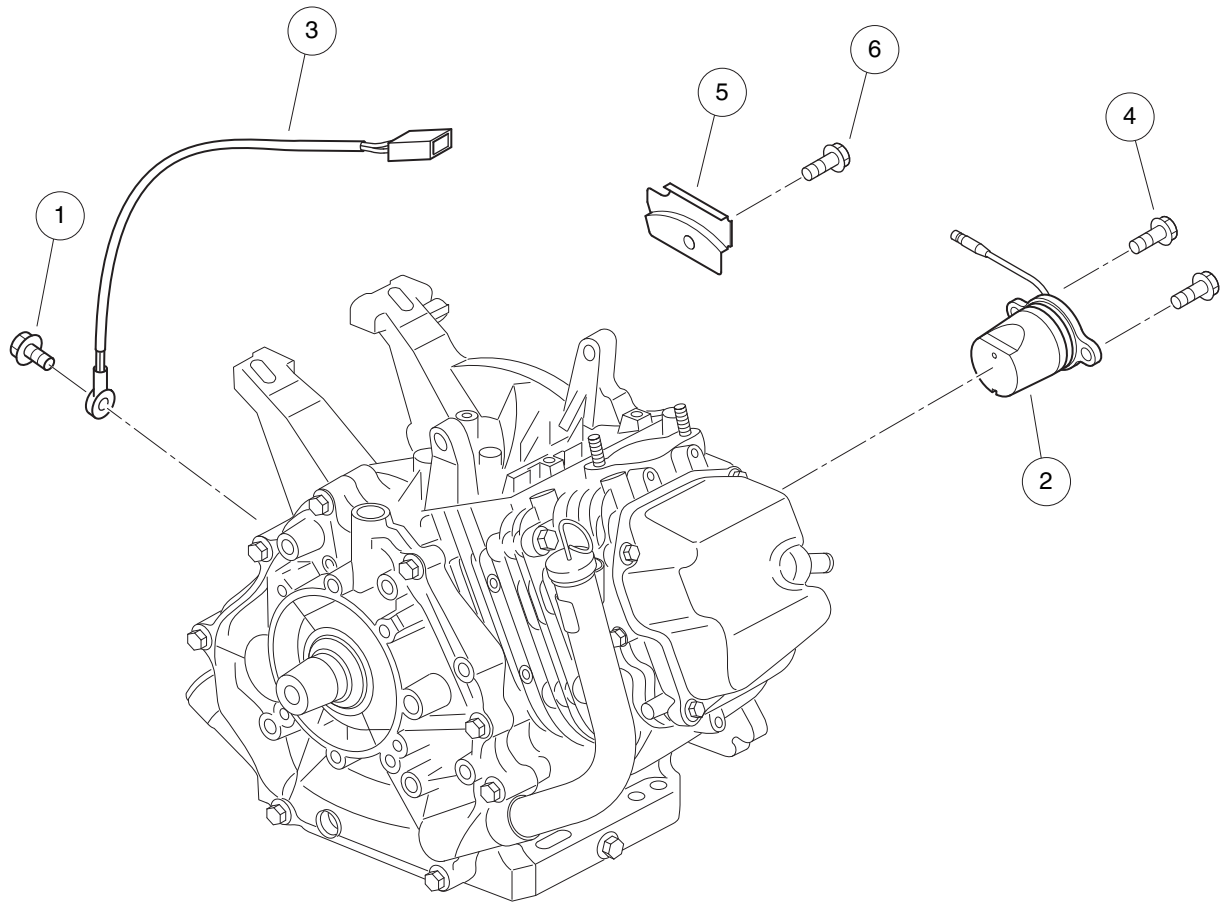
001003-001

IGNITION COMPONENTS AND FLYWHEEL – EX40

ITEM	PART NO.	DESCRIPTION	QTY
		1 2 3 4	
1	105016001	Bolt, Flange, M6x1.0x8, EX40	1
2	105017301	Flywheel, EX40	1
3	105017401	Coil, Ignition, CDI, EX40	1
4	105017501	Asm, Bolt-Washer, Coil, EX40	2
5	105017601	Asm, Wire, Coil Control, EX40	1
6	105017701	Clamp, Coil Control Wire, EX40	1
7	105017801	Spark Plug, Subaru EX40	1
8	105017901	Cap, Spark Plug, EX40	1

9

G



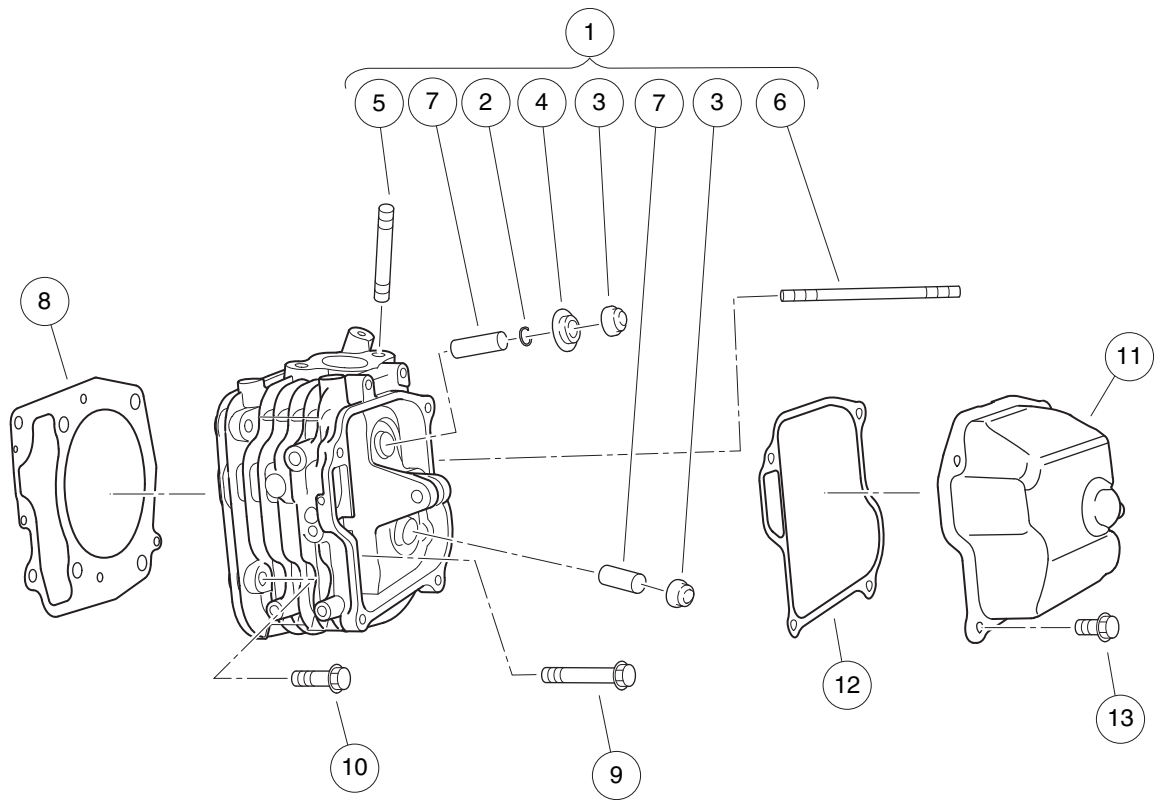
001004-001

SENSORS – EX40

ITEM	PART NO.	DESCRIPTION	QTY
		1 2 3 4	
1	105012601	Bolt, Flange, M6x1.0x12, EX40	1
2	105018001	Sensor, Oil Level, EX40	1
3	105018101	Sensor, Temperature, EX40	1
4	105018201	Bolt, Oil Sensor, M6x1.0x14, EX40	2
5	105018301	Clamp, Oil Sensor Wire, EX40	1
6	105018401	Bolt, Tap, Oil Wire Clamp, EX40	1

9

G



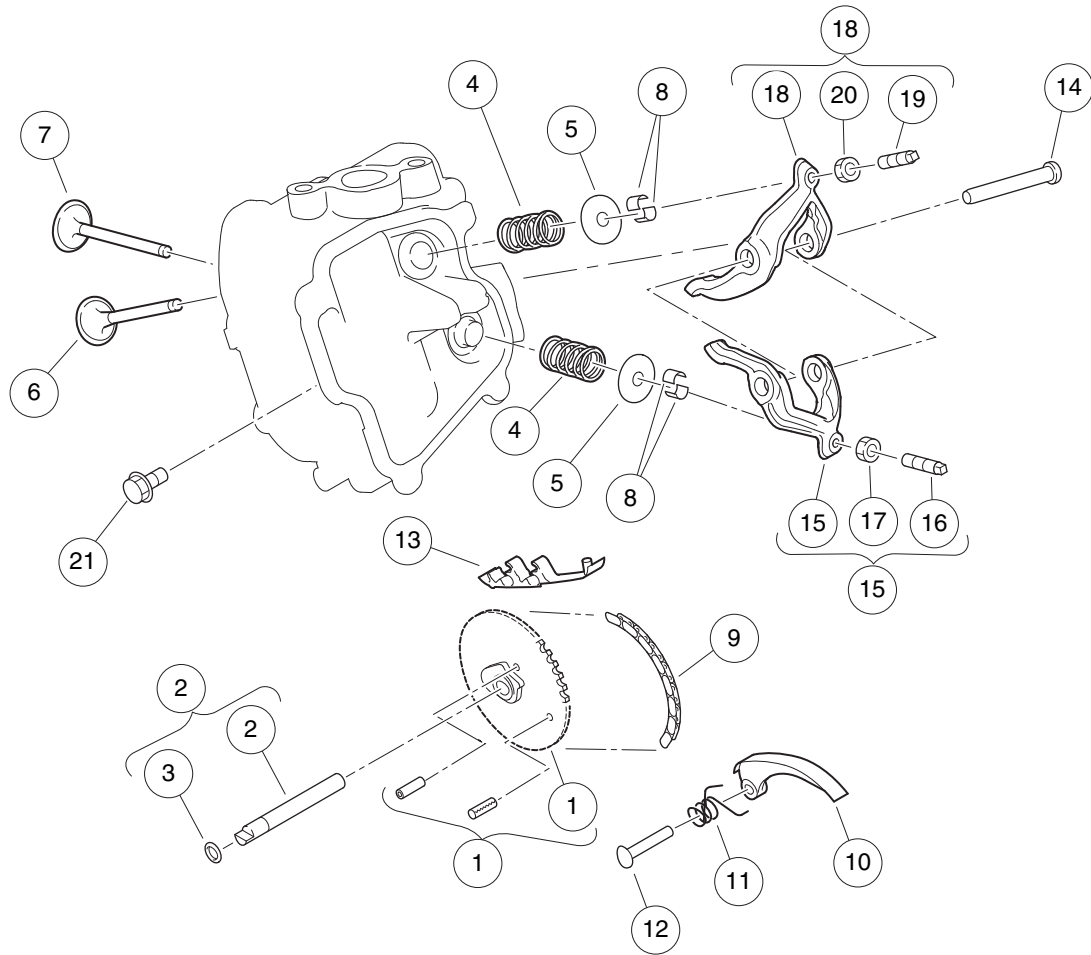
001005-001

CYLINDER HEAD – EX40

ITEM	PART NO.	DESCRIPTION	QTY
		1 2 3 4	
1	105011901	Asm, Cylinder Head, EX40 (includes items 2 through 7)	1
2	105010101	Clip, Retainer Plate, EX40	1
3	105010201	Seal, Valve, EX40	2
4	105010301	Plate, Retainer, EX40	1
5	105010801	Stud, Mounting, Exhaust, EX40	2
6	105010901	Stud, Mounting, Intake, EX40	2
7	105018501	Guide, Valve, EX40	2
8	105012001	Gasket, Head, EX40	1
9	105012101	Bolt, Head, M10x1.25x75, EX40	4
10	105012201	Bolt, Head, M8x1.25x35, EX40	2
11	105012301	Cover, Rocker, EX40	1
12	105012401	Gasket, Rocker Cover, EX40	1
13	105012601	Bolt, Flange, M6x1.0x12, EX40	4

9

G



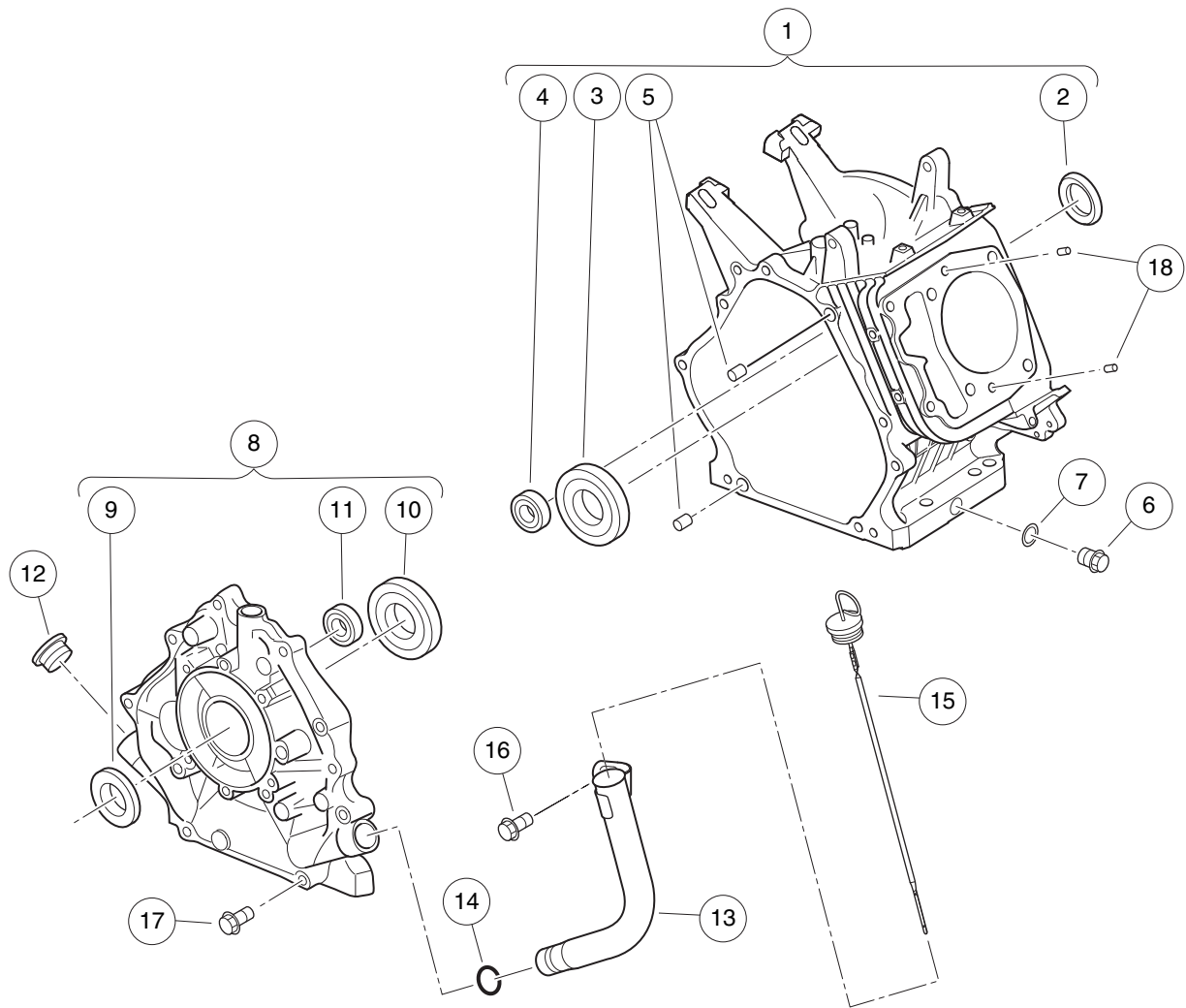
001006-001

VALVETRAIN AND TIMING CHAIN – EX40

ITEM	PART NO.	DESCRIPTION	QTY
		1 2 3 4	
1	105014201	Asm, Cam/Chain Sprocket, EX40	1
2	105014301	Asm, Camshaft and O-ring, EX40 (includes item 3)	1
3	105014401	O-ring, Camshaft, EX40	1
4	105014501	Spring, Valve, EX40	2
5	105014601	Retainer, Spring, EX40	2
6	105014701	Valve, Intake, EX40	1
7	105014801	Valve, Exhaust, EX40	1
8	105014901	Collet, Valve, EX40	4
9	105015001	Chain, Timing, EX40	1
10	105015101	Tensioner, Chain, EX40	1
11	105015201	Spring, Tension, EX40	1
12	105015301	Pin, Tensioner, EX40	1
13	105015401	Guide, Chain, EX40	1
14	105015501	Shaft, Rocker, EX40	1
15	105015601	Asm, Rocker Arm, Intake, EX40 (includes items 16 and 17)	1
16	105015801	Screw, Adjust, Valve, EX40	1
17	105015901	Nut, Adjust, Valve, EX40	1
18	105015701	Asm, Rocker Arm, Exhaust, EX40 (includes items 19 and 20)	1
19	105015801	Screw, Adjust, Valve, EX40	1
20	105015901	Nut, Adjust, Valve, EX40	1
21	105016001	Bolt, Flange, M6x1.0x8, EX40	1

9

G



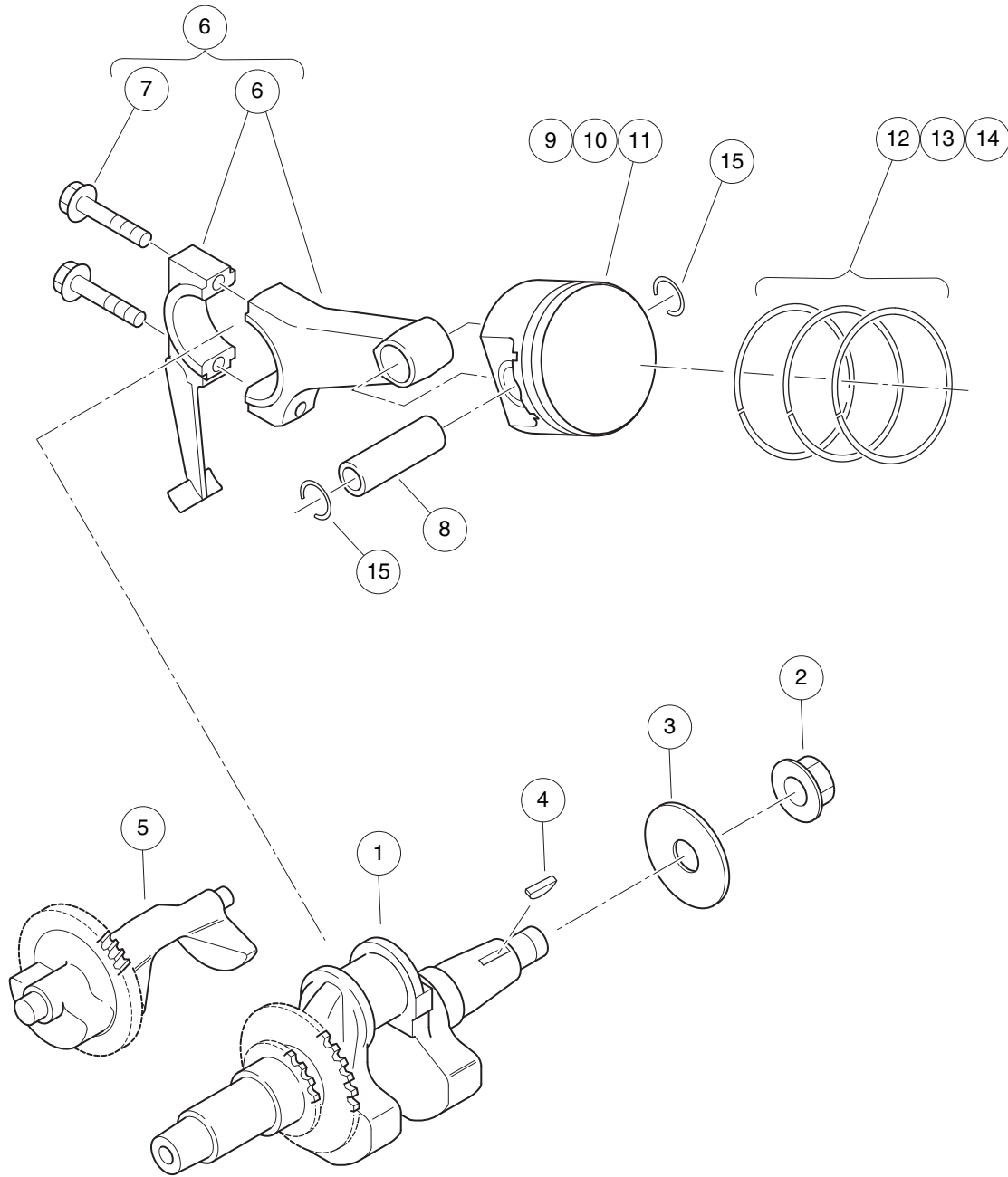
001007-001

CRANKCASE – EX40

ITEM	PART NO.	DESCRIPTION	QTY
		1 2 3 4	
1	105010001	Crankcase, EX40 (includes items 2 through 5)	1
2	105010401	Seal, Oil, Crankshaft, EX40	1
3	105010501	Bearing, Crankshaft, EX40	1
4	105010601	Bearing, Balance Shaft, EX40	1
5	105010701	Pin, Guide, Crankcase, EX40	2
6	105011001	Plug, Oil Drain, EX40	2
7	105011101	Gasket, Oil Drain Plug, EX40	2
8	105011201	Asm, Cover, Crankcase, EX40 (includes items 9 through 11)	1
9	105010401	Seal, Oil, Crankshaft, EX40	1
10	105010501	Bearing, Crankshaft, EX40	1
11	105010601	Bearing, Balance Shaft, EX40	1
12	105011301	Plug, Rubber, Crankcase, EX40	1
13	105011401	Tube, Oil Filler, EX40	1
14	105011501	O-ring, Oil Filler Tube, EX40	1
15	105011601	Dipstick, EX40	1
16	105011701	Bolt, Filler Tube, M8x1.25x12, EX40	1
17	105011801	Bolt, Case Cover, M8x1.25x38, EX40	8
18	105012501	Pin, Guide, Head, EX40	2

9

G



001008-001

CRANKSHAFT AND PISTON – EX40

ITEM	PART NO.	DESCRIPTION	QTY
		1 2 3 4	
1	105012701	Crankshaft, EX40	1
2	105012801	Nut, Crankshaft M18x1.5 Ex40	1
3	105012901	Washer, Crankshaft Ex40	1
4	105013001	Key, Woodruff, Crankshaft, EX40	1
5	105013101	Shaft, Balance, EX40	1
6	105013201	Asm, Rod, Connecting, EX40 (includes item 7)	1
7	105013301	Bolt, Rod M8x1.25x40 Ex40	2
8	105013401	Pin, Piston, EX40	1
9	105013501	Piston, Standard, EX40	1
10	105013601	Piston, 0.25 mm Oversize, EX40	1
11	105013701	Piston, 0.50 mm Oversize, EX40	1
12	105013801	Set, Piston Ring, Standard, EX40	1
13	105013901	Set, Piston Ring, 0.25 mm Oversize, EX40	1
14	105014001	Set, Piston Ring, 0.50 mm Oversize, EX40	1
15	105014101	Clip, Piston Pin, EX40	2

9

G

9

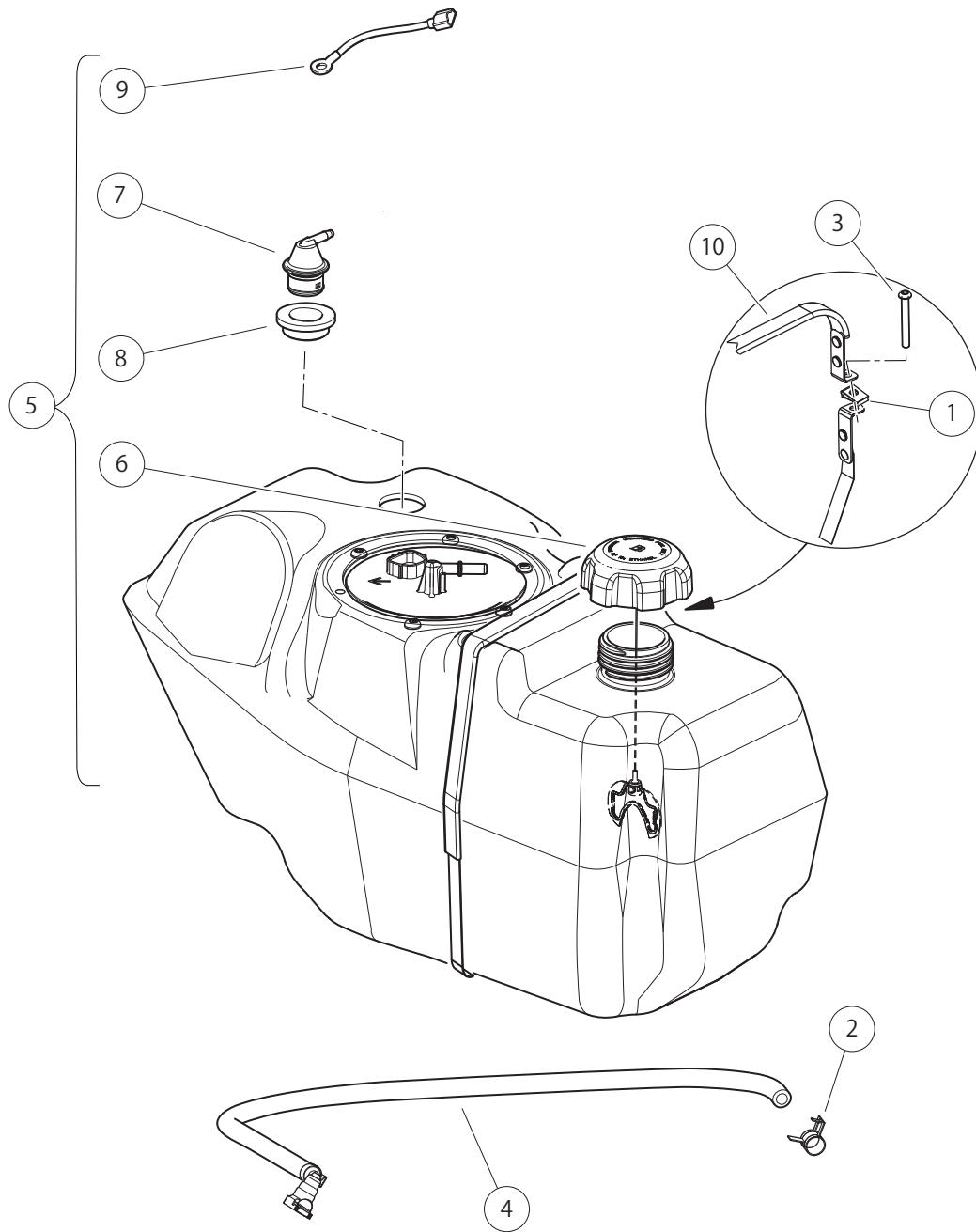
G

FUEL, INTAKE, AND GOVERNOR SYSTEMS- EFI GASOLINE VEHICLES

10

G

10
G



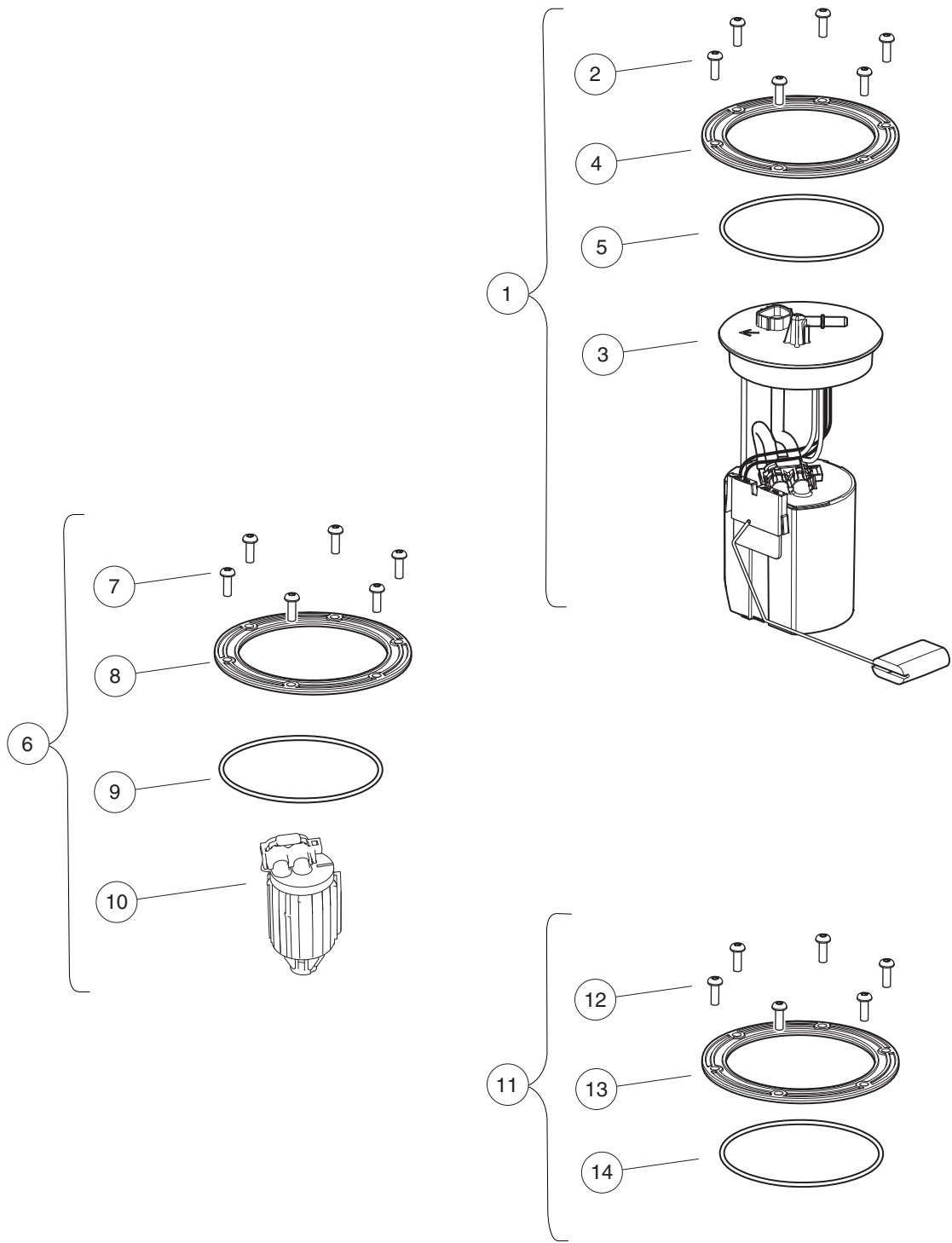
000975-004

FUEL SYSTEM WITH SENDING UNIT, TOP FILL – EFI

ITEM	PART NO.	DESCRIPTION	QTY
		1 2 3 4	
1	1014116	Nut, 1/4-20 Speed	1
2	102411203	Clamp, Hose, Ctb 14mm Dia.	1
3	103306301	Screw, Bhsc, 1/4-20 X 2.0	1
4	105043501	Asm, Fuel Line, Utility	1
5	105215401	Asm, Tank, Fuel, Top, Complete, w/Sending Unit (includes items 6 through 9)	1
6	103372101	Cap, Fuel Tank, Gas, Ratchet	1
7	103905201	Assembly, Vent, Fuel, 1/4 Inch O.D.	1
8	103944301	Grommet, Fuel Tank, Vent	1
9	105143301	Wire, Ground, Fuel Tank	1
10	105245401	Strap, Tank, Utility	1

10

G



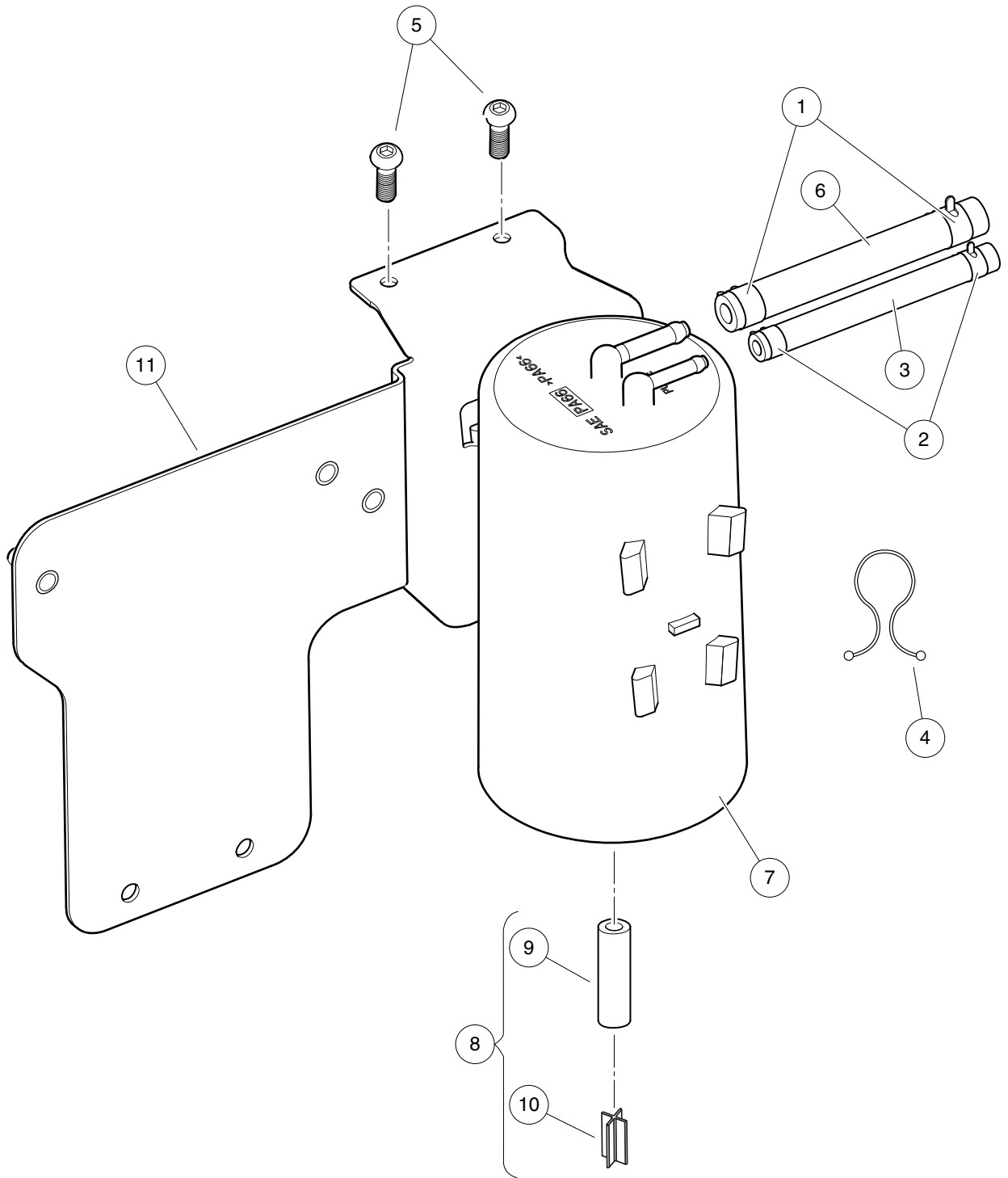
000977-005

FUEL TANK KITS – EFI

ITEM	PART NO.	DESCRIPTION	QTY
		1 2 3 4	
1	105282901	Kit, Fuel Pump Module (includes items 2 through 5)	1
2	102025801	Screw, 1/4-20 X .75 Torx Pn Hd	6
3	105043401	Fuel Pump Module, with Sending Unit	1
4	105043801	Fuel Module, Hold Down Ring	1
5	105043901	O-Ring, Fuel Module	1
6	105282902	Kit, Fuel Filter (includes items 7 through 10)	1
7	102025801	Screw, 1/4-20 X .75 Torx Pn Hd	6
8	105043801	Fuel Module, Hold Down Ring	1
9	105043901	O-Ring, Fuel Module	1
10	105073001	Fuel Filter, EX40, EFI	1
11	105282903	Kit, O-ring (includes items 12 through 14)	1
12	102025801	Screw, 1/4-20 X .75 Torx Pn Hd	6
13	105043801	Fuel Module, Hold Down Ring	1
14	105043901	O-Ring, Fuel Module	1

10

G



000980-006

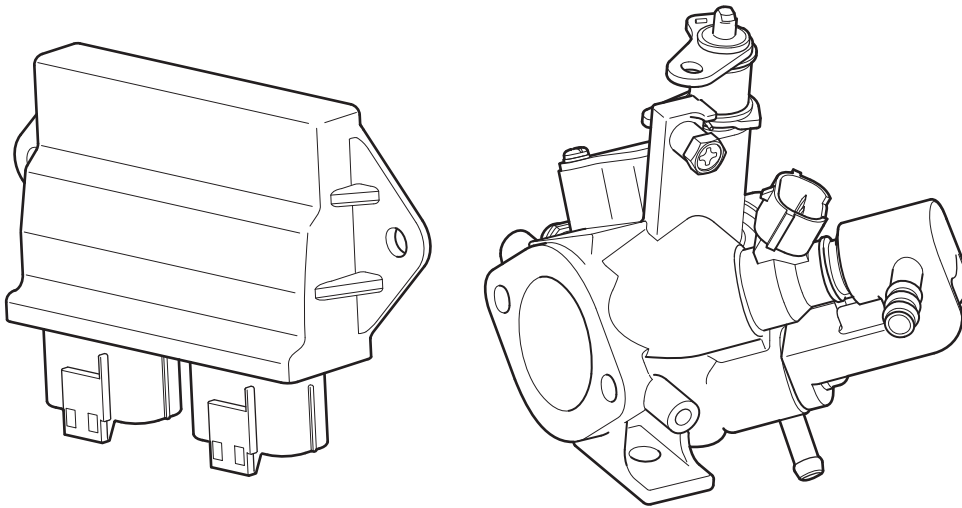
CARBON CANISTER – EFI

ITEM	PART NO.	DESCRIPTION	QTY
		1 2 3 4	
1	1012649	Clamp, 0.460 Red Hose	2
2	1013746	Clamp, 0.301 ID Hose	2
3	1015137	Fuel Line, 3/16 (available by the foot)	A/R
4	101987701	Clamp, Plastic Tie	2
5	102025801	Screw, 1/4-20 X .75 Torx Pn Hd	2
6	102865101	Fuel Line, 1/4 (available by the foot)	A/R
7	103372401	Canister, Carbon	1
8	103756401	Asm, Vent Line, Carbon Canister (includes items 9 and 10)	1
9	N/A	Hose, Vent, 5/16 I.D., Bulk	1
10	N/A	Vent, Barb, 5/16 I.D. Hose	1
11	105044901	Bracket, Carbon Canister/ECU	1

10

G

1



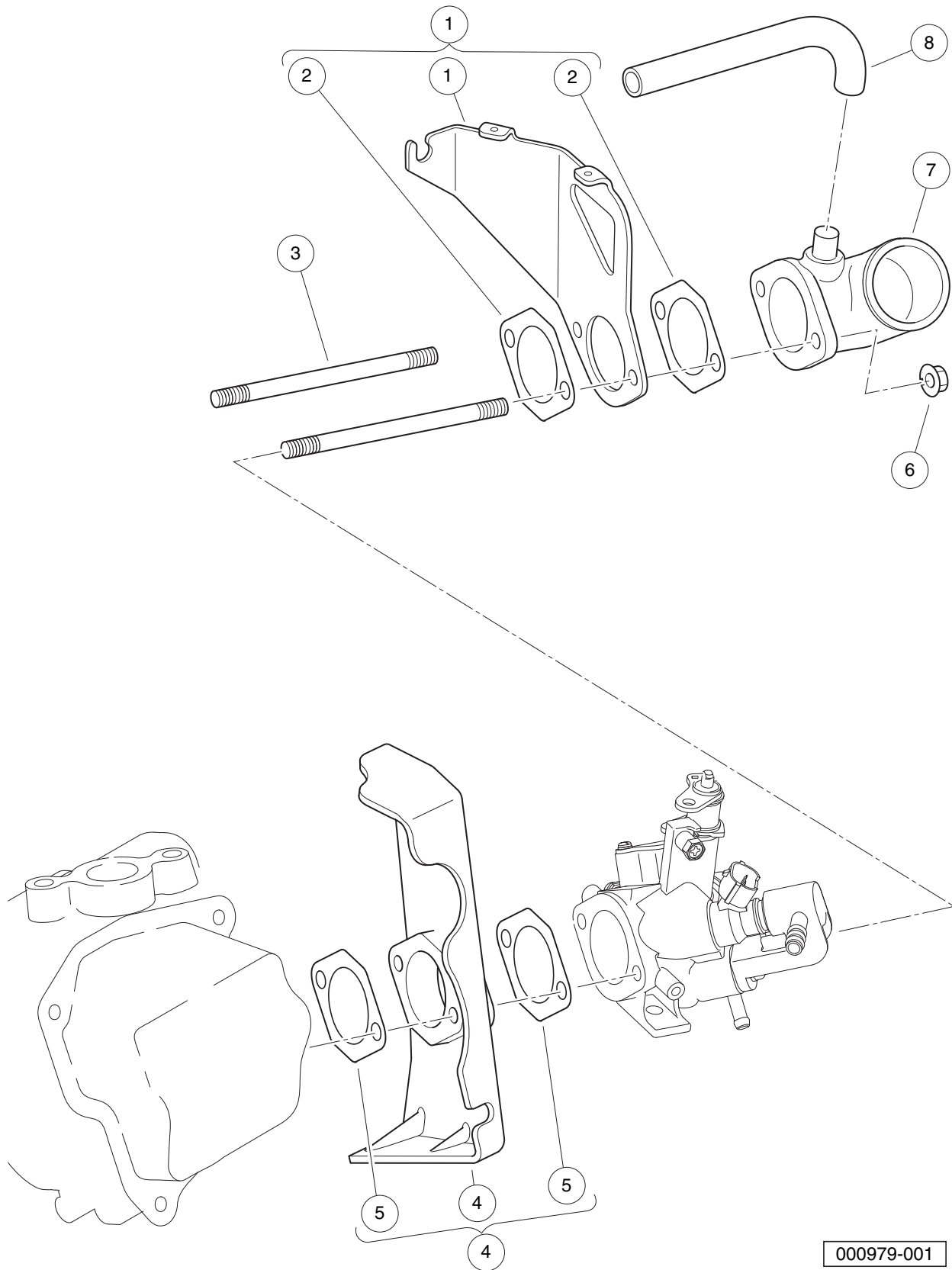
000964-001

THROTTLE BODY AND ECU – EFI

ITEM	PART NO.	DESCRIPTION	QTY
1	105017201	1 2 3 4 Asm, Throttle Body/Fuel Injector with ECU, EX40	1

10

G



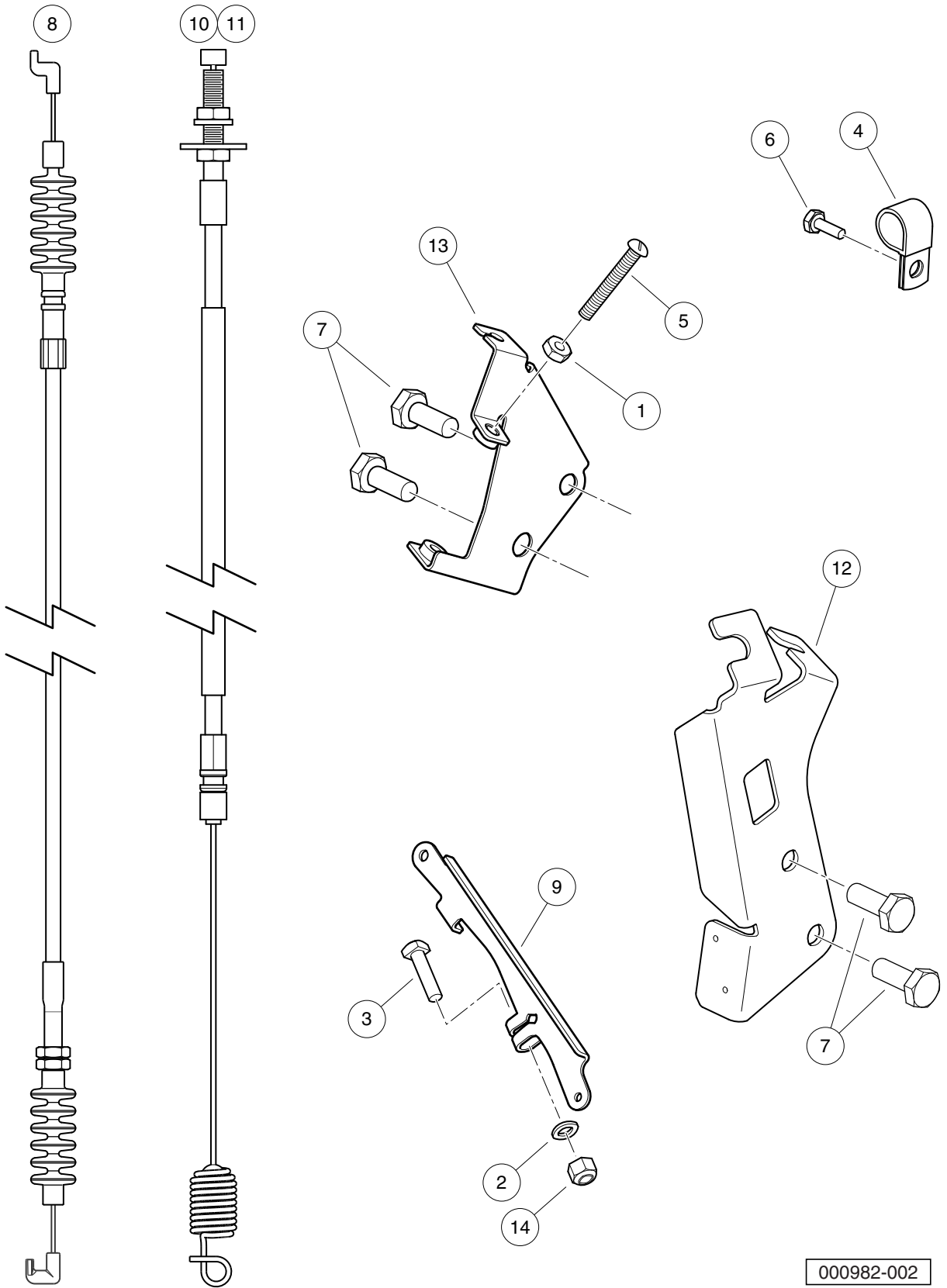
000979-001

THROTTLE BODY MOUNTING – EFI

ITEM	PART NO.	DESCRIPTION	QTY
		1 2 3 4	
1	103983501	Bracket, Operation, EX40 (includes item 2)	1
2	105016201	Gasket, Insulator, EX40	2
3	105010901	Stud, Mounting, Intake, EX40	2
4	105016101	Insulator, EX40 (includes item 5)	1
5	105016201	Gasket, Insulator, EX40	2
6	105016301	Nut, Intake Adapter, M6x1.0, EX40	2
7	105016401	Adapter, Air Intake, EX40	1
8	105016501	Hose, Breather, EX40	1

10
G

10
G



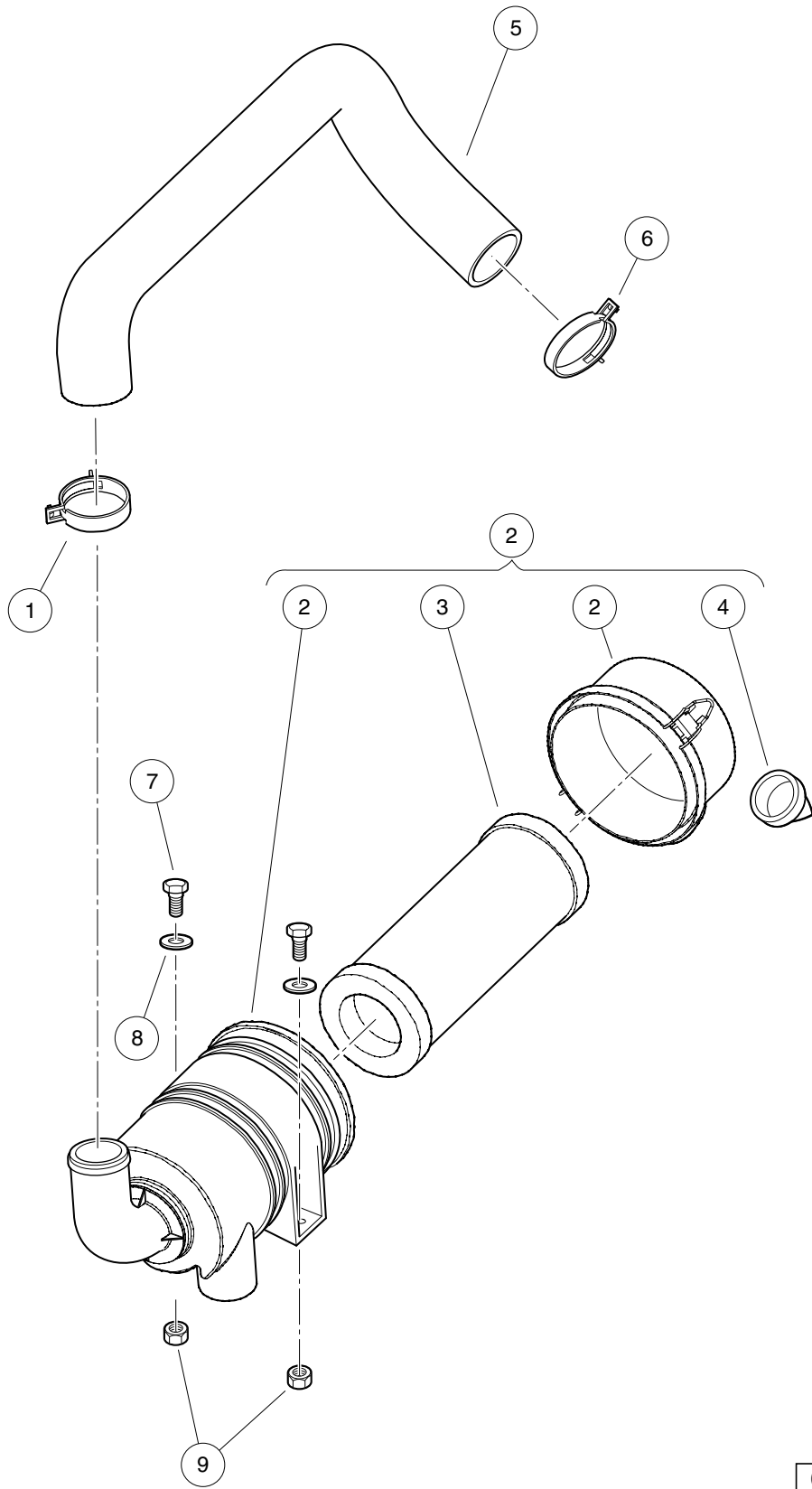
000982-002

GOVERNOR AND ACCELERATOR CABLES – EFI

ITEM	PART NO.	DESCRIPTION	QTY
		1 2 3 4	
1	1011114	Nut, M6-1.00 Hex	1
2	1014007	Washer, 1/4, Flat	1
3	101886101	Screw, 1/4-20 X 1.00, Square-Head	1
4	102410604	P-clamp, Insulated, 0.625 Inch	1
5	102476401	Bolt, Stop, Pedal	1
6	102490301	Bolt, M6 X 1 X 16, Loctite	1
7	102498201	Bolt, M10 X 1.25 X 25, Loctite	4
8	103978001	Cable, Governor, EX40	1
9	104023501	Arm, Governor, ED65	1
10	105007402	Cable, Accelerator, Utility, Low-Speed	1
11	105007403	Cable, Accelerator, Utility, Std-Speed	1
12	105135101	Bracket, Cable, FNR/Accelerator, ED65	1
13	105144401	Weldment, Governor Bracket	1
14	8233	Locknut, 1/4-20, Nylon Insert	1

10

G



000983-001

AIR FILTER SYSTEM AND INTAKE HOSE – EFI

ITEM	PART NO.	DESCRIPTION	QTY
		1 2 3 4	
1	102411209	Clamp, Hose, Ctb 55mm Dia.	1
2	105009101	Air Cleaner, Utility with EFI (includes items 3 and 4)	1
3	102558201	Air Filter, 4 Inch	1
4	102725501	Valve, Evacuator, Filter Air	1
5	105043001	Hose, Air Intake, Utility with EFI	1
6	105088501	Clamp, Ctb, 49mm Dia, W/clip	1
7	1218	Screw, 5/16-18 X 1.25 Hex-Head Cap	2
8	1241	Washer, 5/16 Type A Flat	2
9	7473	Locknut, 5/16-18 Nylon Insert	2

10
G

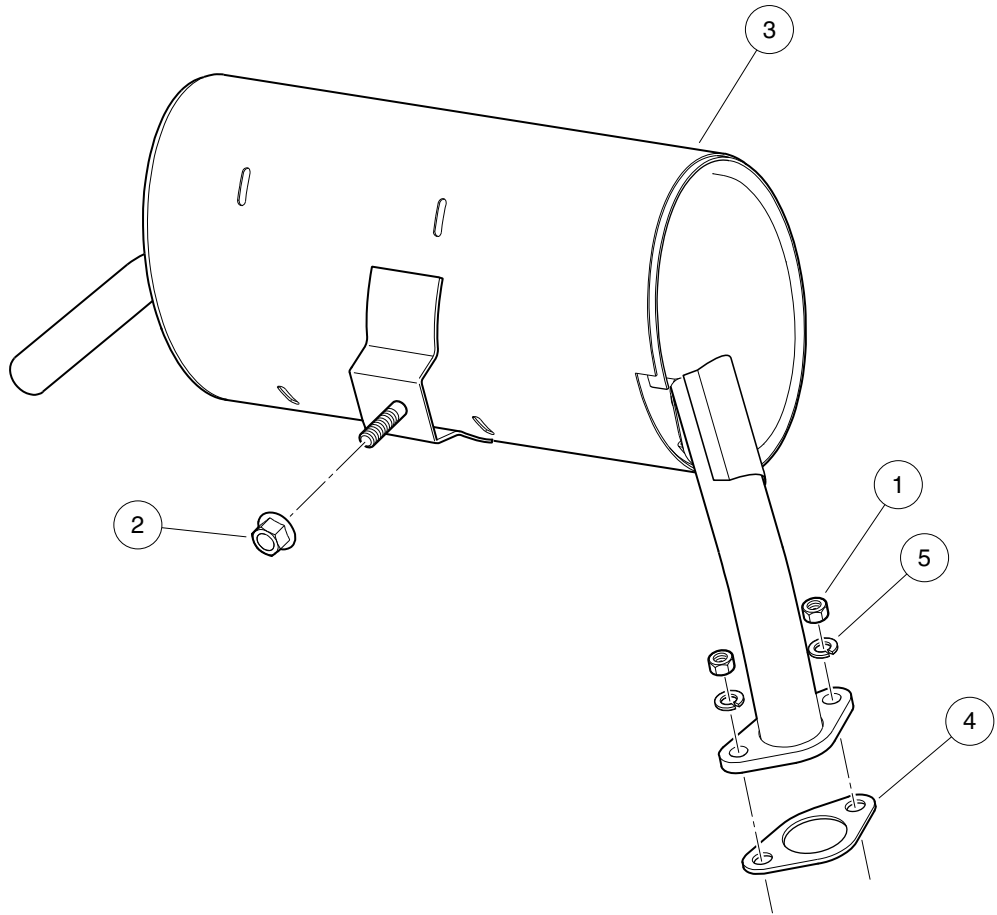
10

G

EXHAUST SYSTEM, UTILITY – EX40 ENGINE

11

G



000948-001

EXHAUST SYSTEM – UTILITY

ITEM	PART NO.	DESCRIPTION	QTY
		1 2 3 4	
1	1012528	Nut, M8-1.25 Hex	2
2	102617201	Nut, Flanged, M10 X 1.5, Mechanically Deformed	1
3	105214101	Exhaust, Low, Ex40, Utl	1
4	47539957001	Gasket, Exhaust, Ex40, Graphite	1
5	7174	Lockwasher, 5/16 Split	2

11

G

11

G

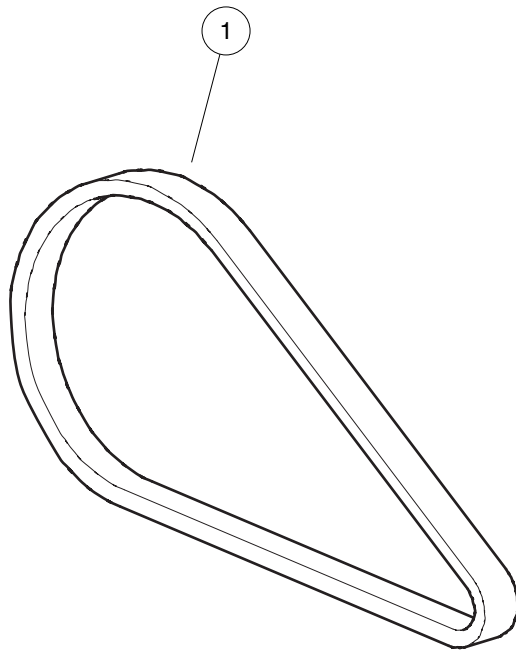
DRIVE BELT AND CLUTCHES -- EFI GASOLINE VEHICLES

12

G

12

G



000918-001

DRIVE BELT – KEY-START VEHICLES WITH EFI

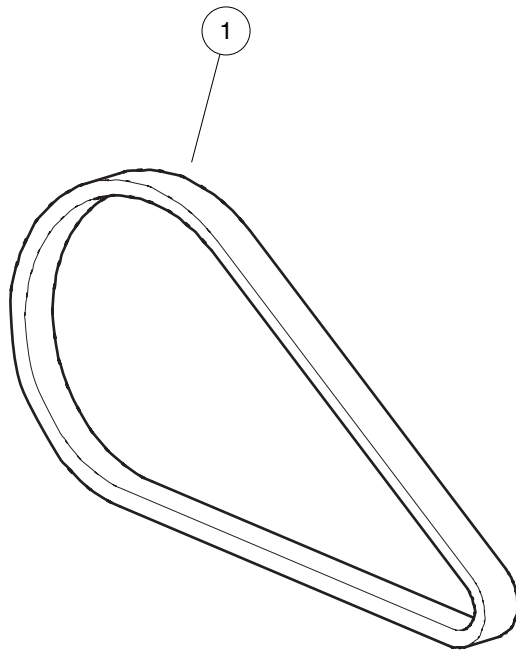
ITEM	PART NO.	DESCRIPTION	QTY
1	103974102	1 2 3 4 Belt, Drive, Key-Start	1

12

G

12

G



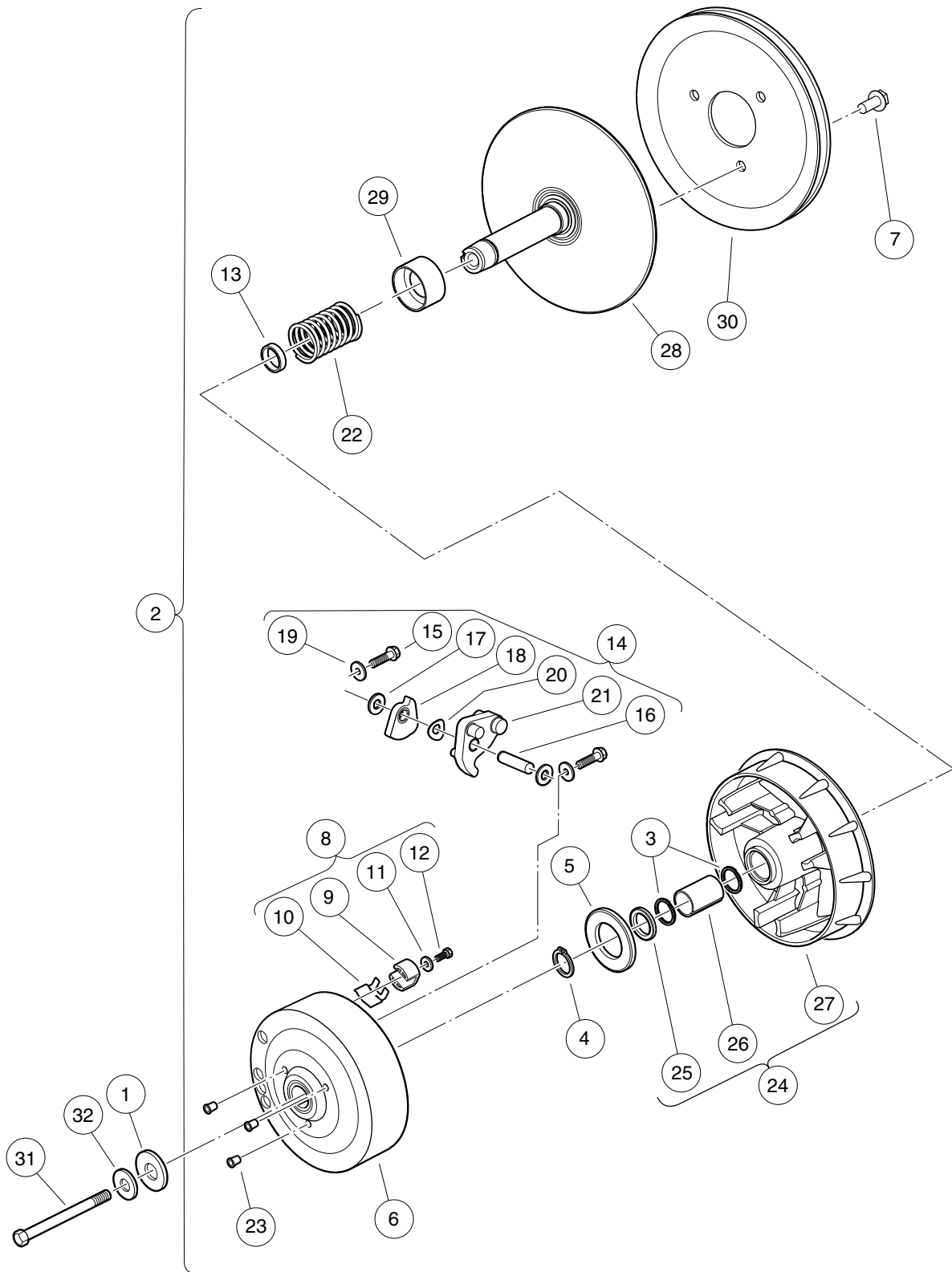
000918-001

DRIVE BELT – PEDAL-START VEHICLES WITH EFI

ITEM	PART NO.	DESCRIPTION	QTY
1	105245801	<div style="display: flex; justify-content: space-between; margin-bottom: 5px;"> 1 2 3 4 </div> Belt, Drive, Pedal-Start	1

12

G



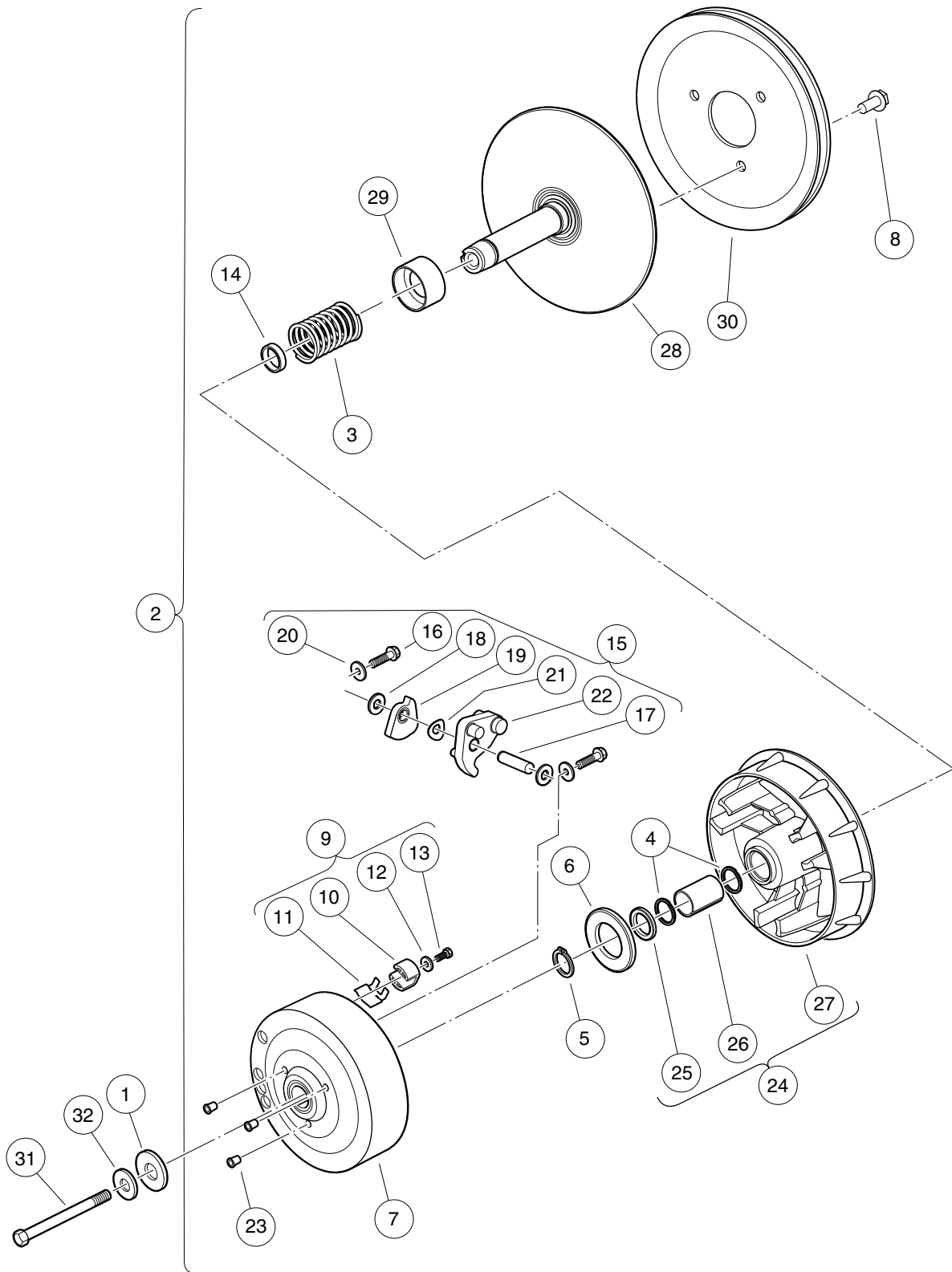
000958-002

DRIVE CLUTCH – KEY-START VEHICLES

ITEM	PART NO.	DESCRIPTION	QTY
		1 2 3 4	
1	102491501	Washer, Hard, M10	1
2	103973902	Clutch, Drive, Key-Start (includes items 3 through 30)	1
3	1014056	Ring, Spiral Backup	2
4	1014057	Ring, 0.810" Internal Retaining	1
5	1014058	Thrust Washer	1
6	1014059	Drive Hub Assy, Drive Clutch	1
7	1014288	Screw, 5/16-18 X 0.75, Thread-Forming	3
8	1014453	Kit, Drive Clutch Button (includes items 9 through 12)	1
9	1014062	Driver, Drive Clutch	3
10	1014287	Spring, Drive Button	3
11	183	Washer, #10, Type A, Flat	3
12	8450	Screw, #10-24 X 0.50, Hex-Head	3
13	1016289	Spacer, Fixed Face Shaft	1
14	1016801	Kit, Drive Clutch Weight (includes items 15 through 21)	1
15	1014063	Screw, 1/4-20 X 1.00, Hex Head	6
16	N/A	Pin, Dowel, 0.3752 x 1.50	3
17	1014065	Washer, Flat, 0.38" ID, Delrin	6
18	N/A	Clutch Weight, Secondary	3
19	N/A	Washer	6
20	1016201	Washer, Wave	3
21	N/A	Weight, Primary	3
22	1016901	Spring, Drive Clutch	1
23	N/A	Cap Plug	3
24	103974201	Asm, Sheave, Moveable, Drive, Wr (includes items 25 through 27)	1
25	1014055	Retainer	1
26	N/A	Bushing, Split, Drive Clutch	1
27	N/A	Sheave, Moveable, Drive, Wr	1
28	103974401	Sheave, Fixed, Drive, Wr	1
29	103984601	Spacer, Idler, Drive	1
30	105096101	Pulley, 7.3 Inch Effective Dia	1
31	103976101	Screw, 3/8-24x5.75, Patch	1
32	334	Washer, 3/8, Type A, Flat	1

12

G



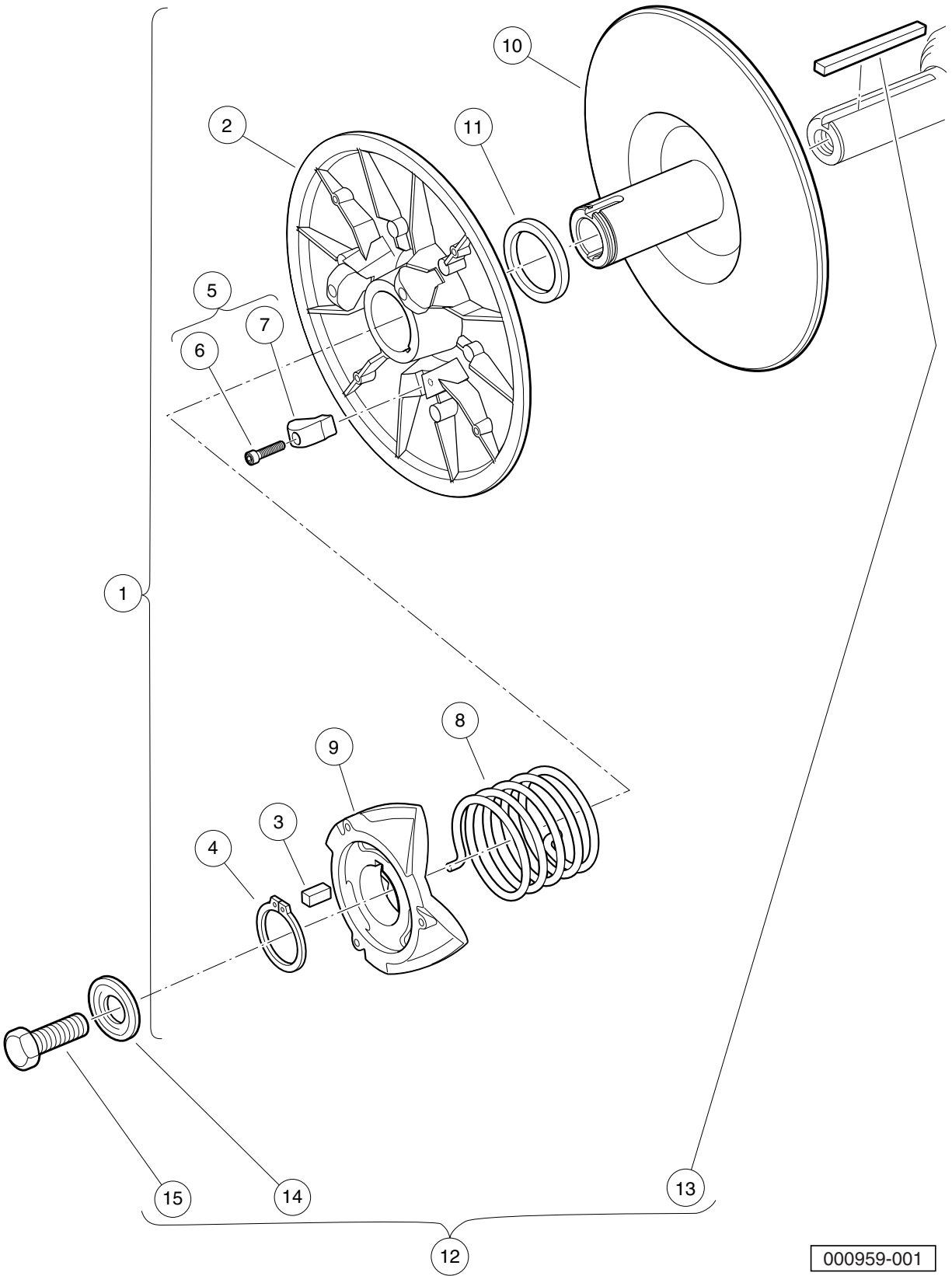
000958-001

DRIVE CLUTCH – PEDAL-START VEHICLES

ITEM	PART NO.	DESCRIPTION	QTY
		1 2 3 4	
1	102491501	Washer, Hard, M10	1
2	103973901	Clutch, Drive, Pedal-Start (includes items 3 through 30)	1
3	1014051	Spring, Drive Clutch	1
4	1014056	Ring, Spiral Backup	2
5	1014057	Ring, 0.810" Internal Retaining	1
6	1014058	Thrust Washer	1
7	1014059	Drive Hub Assy, Drive Clutch	1
8	1014288	Screw, 5/16-18 X 0.75, Thread-Forming	3
9	1014453	Kit, Drive Clutch Button (includes items 10 through 13)	1
10	1014062	Driver, Drive Clutch	3
11	1014287	Spring, Drive Button	3
12	183	Washer, #10, Type A, Flat	3
13	8450	Screw, #10-24 X 0.50, Hex-Head	3
14	1016289	Spacer, Fixed Face Shaft	1
15	1016801	Kit, Drive Clutch Weight (includes items 16 through 22)	1
16	1014063	Screw, 1/4-20 X 1.00, Hex Head	6
17	N/A	Pin, Dowel, 0.3752 x 1.50	3
18	1014065	Washer, Flat, 0.38" ID, Delrin	6
19	N/A	Clutch Weight, Secondary	3
20	N/A	Washer	6
21	1016201	Washer, Wave	3
22	N/A	Weight, Primary	3
23	N/A	Cap Plug	3
24	103974201	Asm, Sheave, Moveable, Drive, Wr (includes items 25 through 27)	1
25	1014055	Retainer	1
26	N/A	Bushing, Split, Drive Clutch	1
27	N/A	Sheave, Moveable, Drive, Wr	1
28	103974401	Sheave, Fixed, Drive, Wr	1
29	103984601	Spacer, Idler, Drive	1
30	105096101	Pulley, 7.3 Inch Effective Dia	1
31	103976101	Screw, 3/8-24x5.75, Patch	1
32	334	Washer, 3/8, Type A, Flat	1

12
G

12
G



000959-001

DRIVEN CLUTCH (STANDARD SPEED) – KEY START AND PEDAL START

ITEM	PART NO.	DESCRIPTION	QTY
		1 2 3 4	
1	103974002	Clutch, Driven, Std-Speed, Key and Pedal Start (includes items 2 through 11)	1
2	1014072	Movable-Face Assembly with Bushing	1
3	1014078	Key, Driven Clutch	1
4	1014080	Ring, Retaining	1
5	1014454	Kit, Driven Clutch Button (includes items 6 and 7)	1
6	1012836	Screw, #8-32 X 3/4, Socket-Head Cap	3
7	N/A	Button, Drive	3
8	1017145	Spring, Driven Clutch, 55 Degree	1
9	1017686	Cam, Driven Clutch	1
10	103975301	Sheave, Fixed, Driven, Wr	1
11	104025101	Washer, Acetal, Driven Clutch	1
12	AM10419	Kit, Clutch Repair (includes items 13 through 15)	1
13	101833401	Key, 3/16 Sq X 1.50"	1
14	102155801	Washer, Driven Clutch	1
15	102242101	Screw, 5/16-18 X 3/4 Hex-Head with Patch	1

12
G

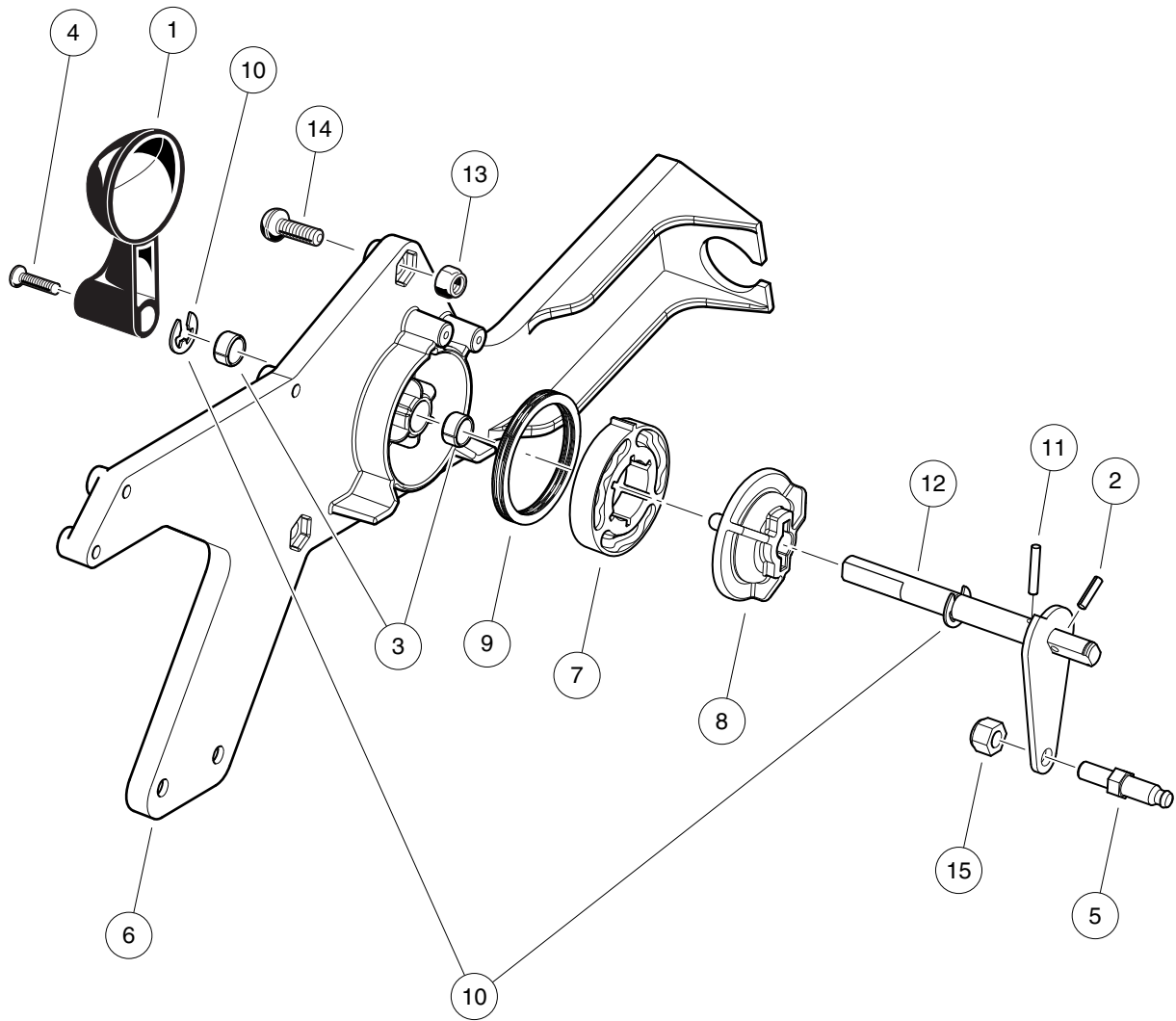
12

G

TRANSAXLE (FUJI ED65)- EFI GAS VEHICLES

13

G

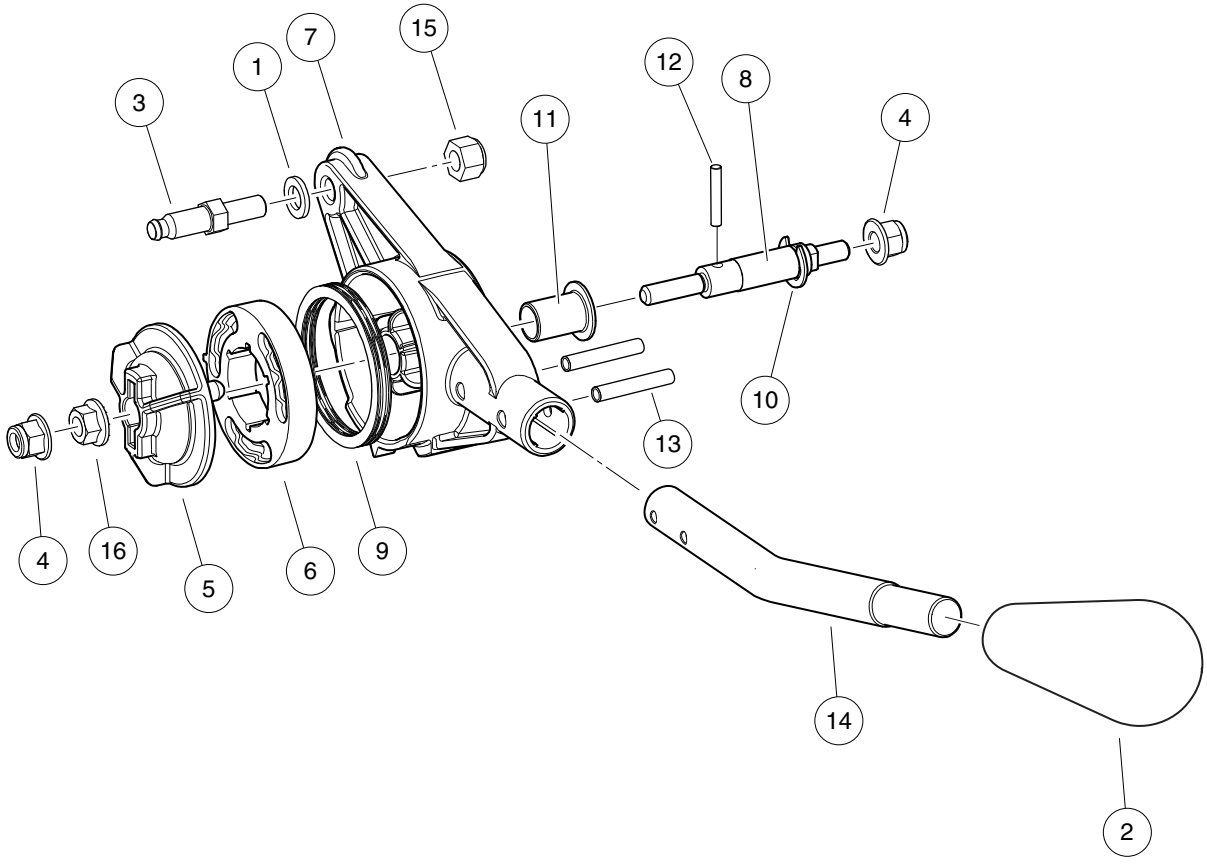


001012-001

FORWARD/REVERSE SHIFTER – EFI, CA100-CE, XRT800

ITEM	PART NO.	DESCRIPTION	QTY
		1 2 3 4	
1	1012987	Handle, FNR	1
2	1013591	Pin, Roll, 1/8 X 1/2	1
3	1014145	Bushing, Secondary Weight, Split	2
4	1015064	Screw, #8-32 X 0.63 Machine	1
5	102526201	Stud, Thread, 1/4-28	1
6	105037501	Housing, Gas FNR Body Shift	1
7	105037601	Cam, FNR Detent, 45 Degree	1
8	105037701	Follower, FNR Detent	1
9	105038501	Spring, Wave, Gas FNR Shifter	1
10	105039801	E-Clip, External, 8mm Groove	2
11	105040401	Pin, Round, 0.125 Dia x 0.625	1
12	105041201	Weldment, Shaft, FNR, Dash	1
13	8233	Locknut, 1/4-20, Nylon Insert	3
14	8248	Screw, 1/4-20 X 0.75, Truss-Head Machine	3
15	8717	Locknut, Nylon Insert, 1/4-28	1

13
G

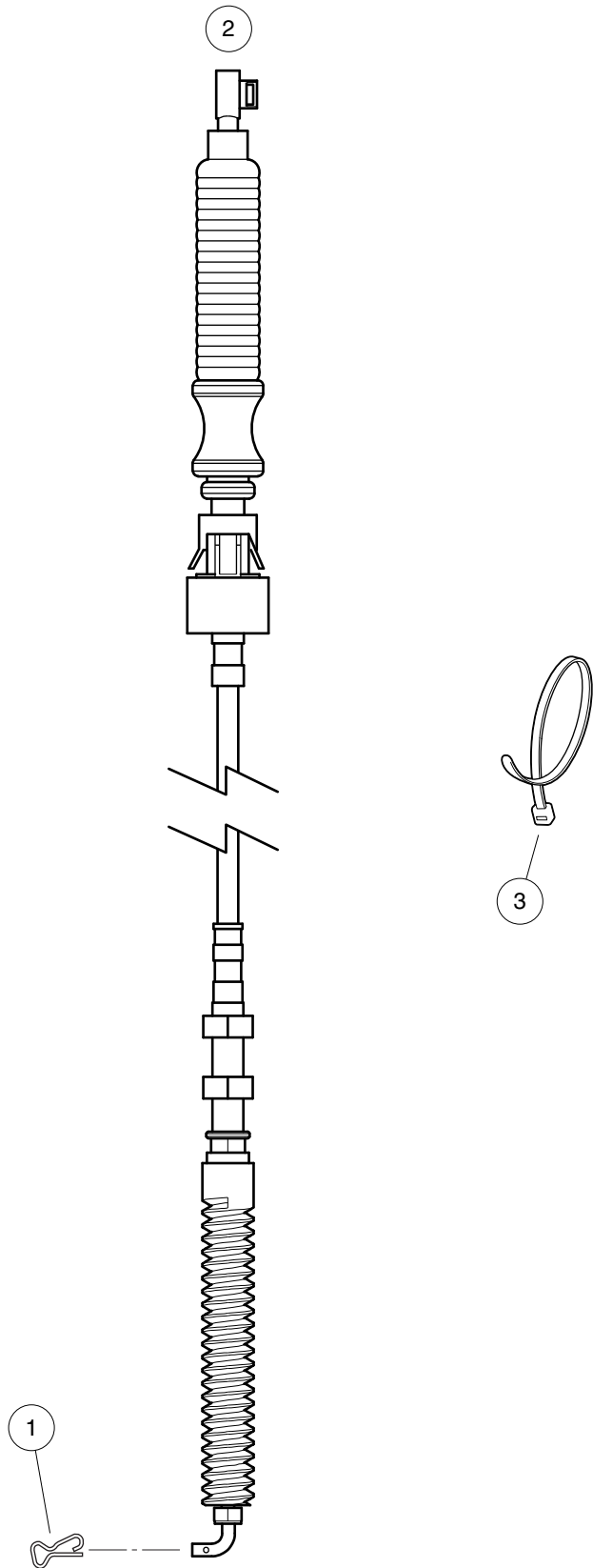


001011-001

FORWARD/REVERSE SHIFTER – EFI VILLAGER 6, 8, 850, 850SE

ITEM	PART NO.	DESCRIPTION	QTY
		1 2 3 4	
1	1014007	Washer, 1/4, Flat	1
2	102376001	Knob, FNR, Shifter	1
3	102526201	Stud, Thread, 1/4-28	1
4	102621501	Nut, Flange, M6 X 1.0, Nylon	2
5	105037701	Follower, FNR Detent	1
6	105038001	Cam, FNR Detent, Alternate	1
7	105038101	Housing, FNR, Gas, CA300-700	1
8	105038201	Shaft, FNR, Dash	1
9	105038501	Spring, Wave, Gas FNR Shifter	1
10	105039801	E-Clip, External, 8mm Groove	1
11	105039901	Bushing, Dash Shifter, Gas	1
12	105040401	Pin, Round, 0.125 Dia x 0.625	1
13	105040402	Pin, Grooved, 0.187 x 0.75	2
14	105060601	Handle, Shift, EX40, Villager	1
15	8717	Locknut, Nylon Insert, 1/4-28	1
16	96704176	Nut, Flanged, M6 X 1, Serrated	1

13
G

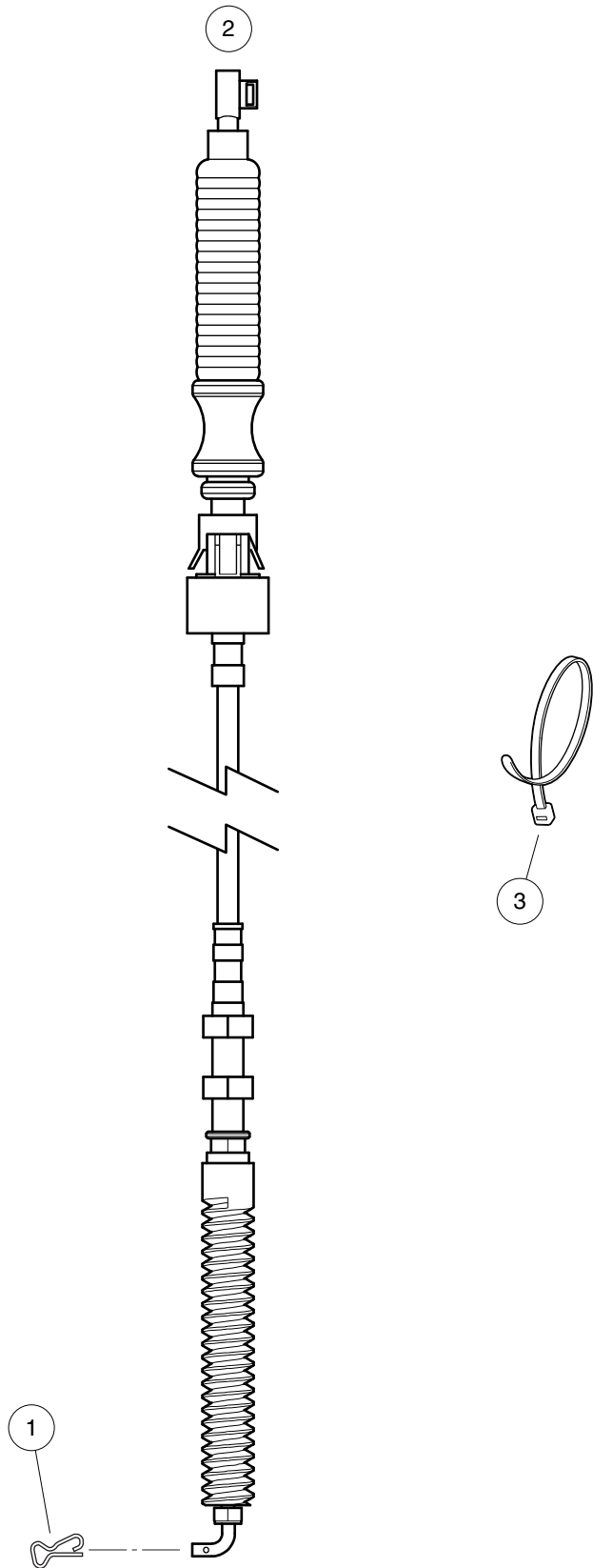


000988-001

SHIFTER CABLE – XRT 850

ITEM	PART NO.	DESCRIPTION	QTY
1	103886601	1 2 3 4 Clip, Bowtie	1
2	105038808	Cable, Shifter, 850	1
3	8990	Tie Wrap, 8" Nylon	A/R

13
G



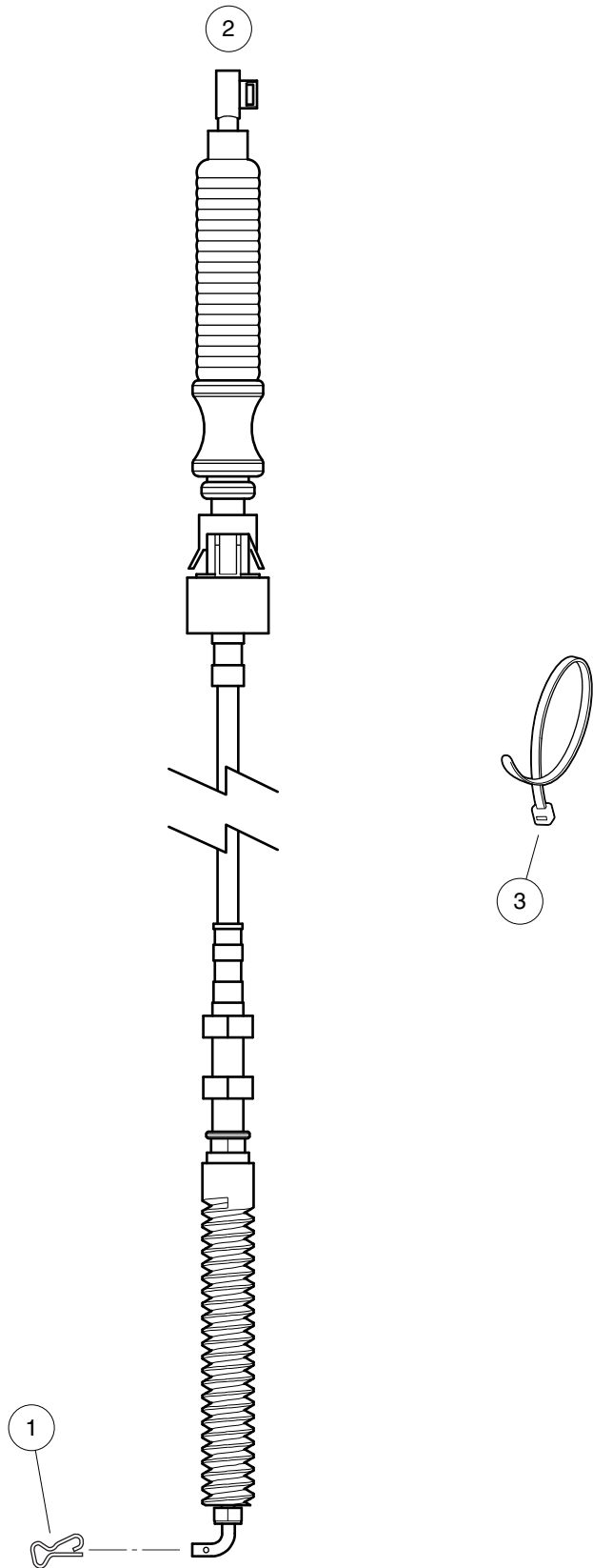
000988-001

SHIFTER CABLE – CA100, XRT800

ITEM	PART NO.	DESCRIPTION	QTY
		1 2 3 4	
1	103886601	Clip, Bowtie	1
2	105038801	Cable, Shifter	1
3	8990	Tie Wrap, 8" Nylon	A/R

13

G



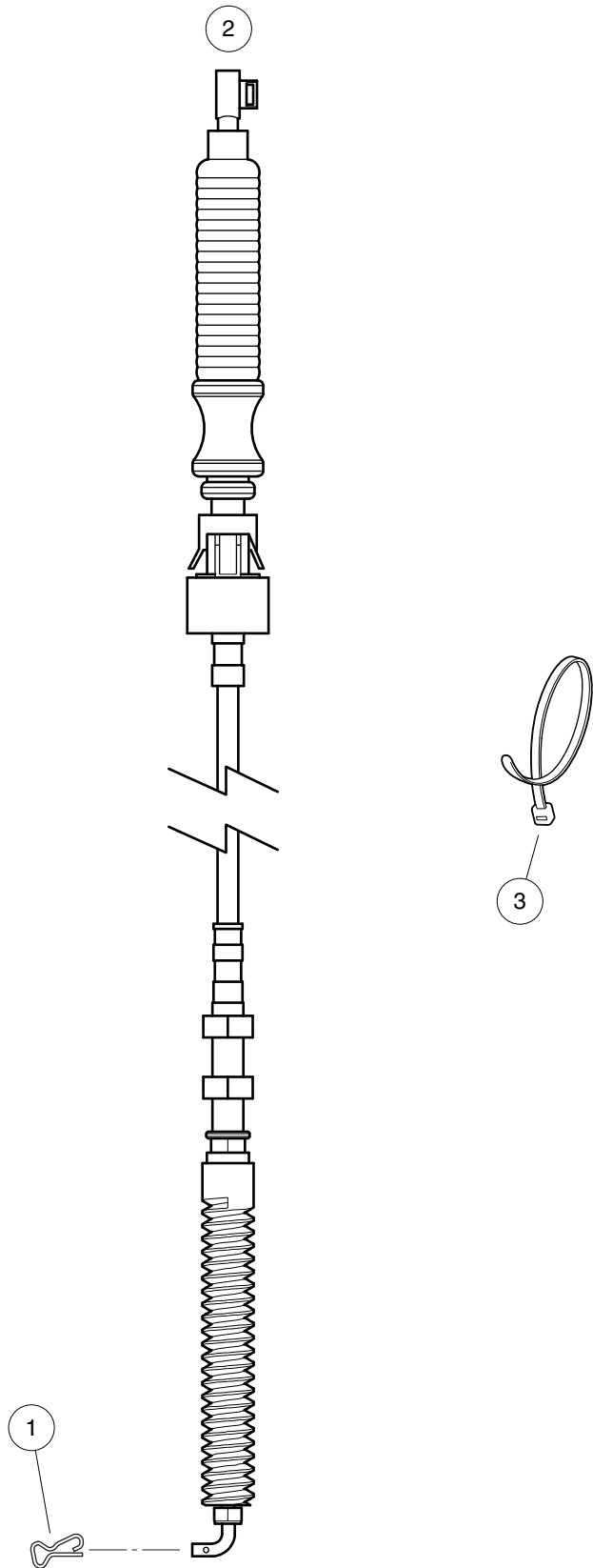
000988-001

SHIFTER CABLE – VILLAGER 6, XRT850SE

ITEM	PART NO.	DESCRIPTION	QTY
		1 2 3 4	
1	103886601	Clip, Bowtie	1
2	105038805	Cable, Shifter, Villager 6/850 SE	1
3	8990	Tie Wrap, 8" Nylon	A/R

13

G



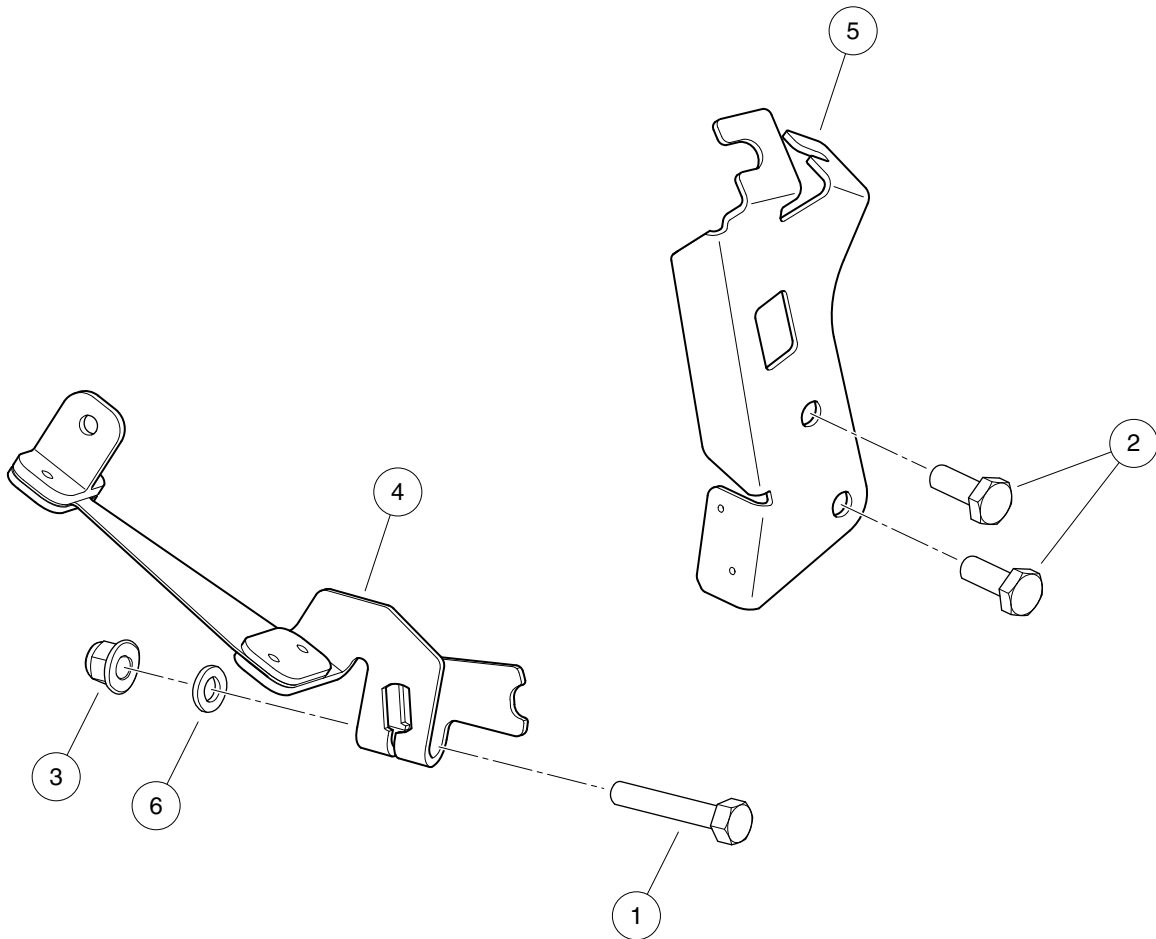
000988-001

SHIFTER CABLE – VILLAGER 8

ITEM	PART NO.	DESCRIPTION	QTY
		1 2 3 4	
1	103886601	Clip, Bowtie	1
2	105038806	Cable, Shifter, Villager 8	1
3	8990	Tie Wrap, 8" Nylon	A/R

13

G

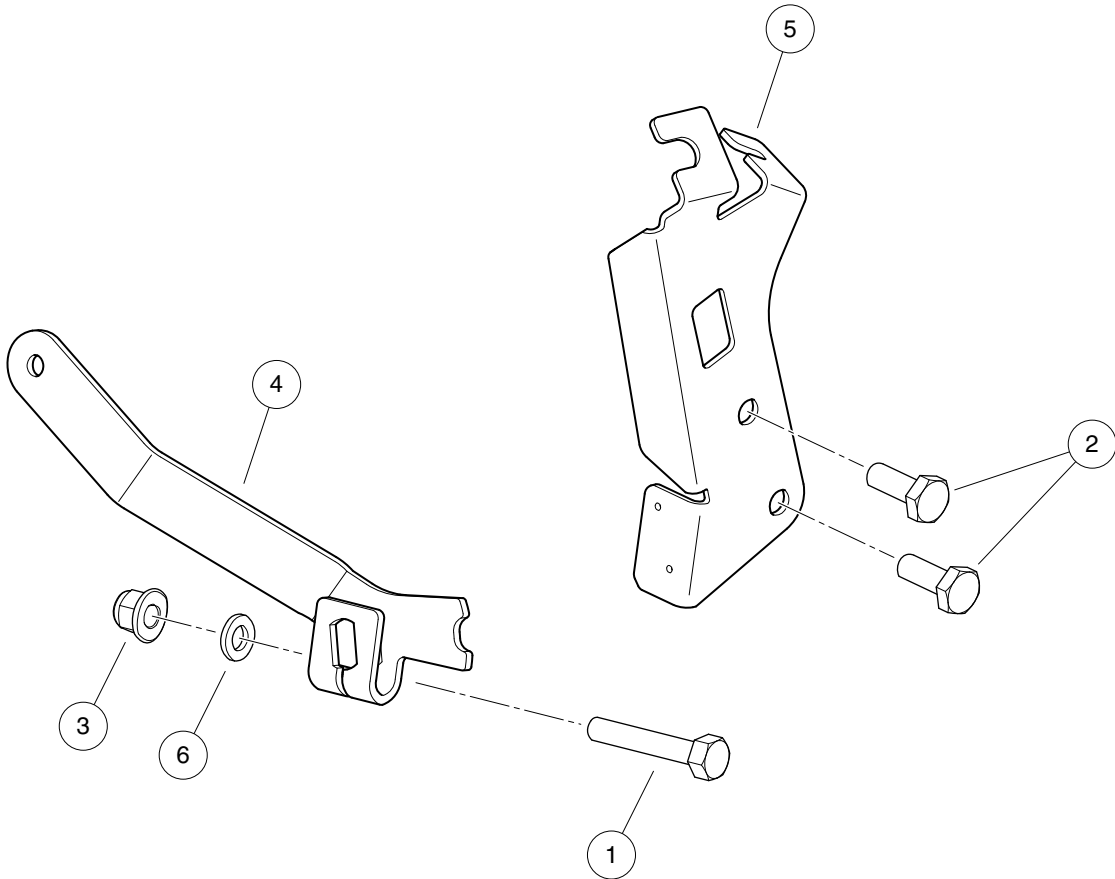


000965-001

SHIFT LEVER AND BRACKET – PEDAL-START ENGINES

ITEM	PART NO.	DESCRIPTION	QTY
		1 2 3 4	
1	102059501	Screw, 6M-1.00 X 35mm, Hex Head	1
2	102498201	Bolt, M10 X 1.25 X 25, Loctite	2
3	102621501	Nut, Flange, M6 X 1.0, Nylon	1
4	105040901	Lever, Shift, Flex, Transaxle, Pedal-Start	1
5	105135101	Bracket, Cable, FNR/Accelerator, ED65	1
6	96705199	Washer, M6	1

13
G



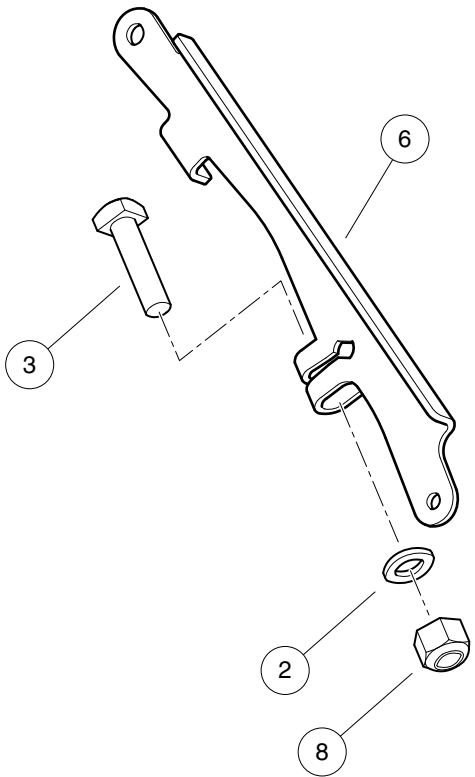
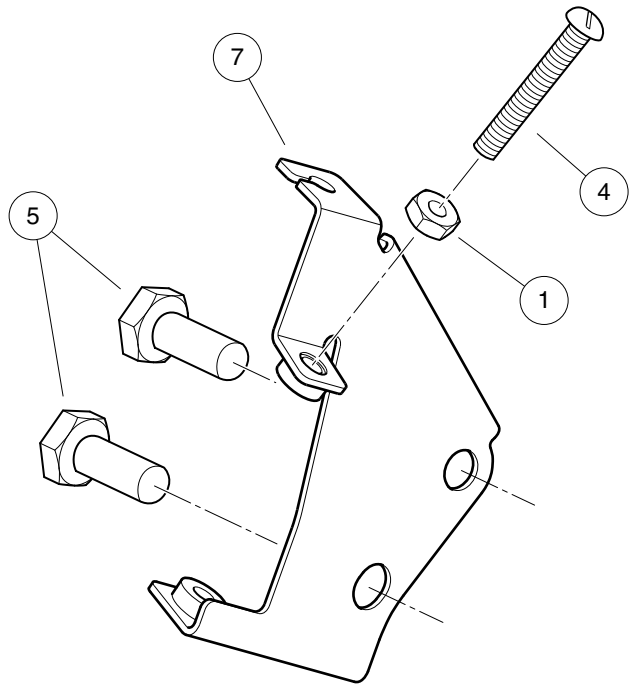
000965-002

SHIFT LEVER AND BRACKET – KEY-START ENGINES

ITEM	PART NO.	DESCRIPTION	QTY
		1 2 3 4	
1	102059501	Screw, 6M-1.00 X 35mm, Hex Head	1
2	102498201	Bolt, M10 X 1.25 X 25, Loctite	2
3	102621501	Nut, Flange, M6 X 1.0, Nylon	1
4	105134901	Lever, Shift, Transaxle, Key-Start	1
5	105135101	Bracket, Cable, FNR/Accelerator, ED65	1
6	96705199	Washer, M6	1

13

G



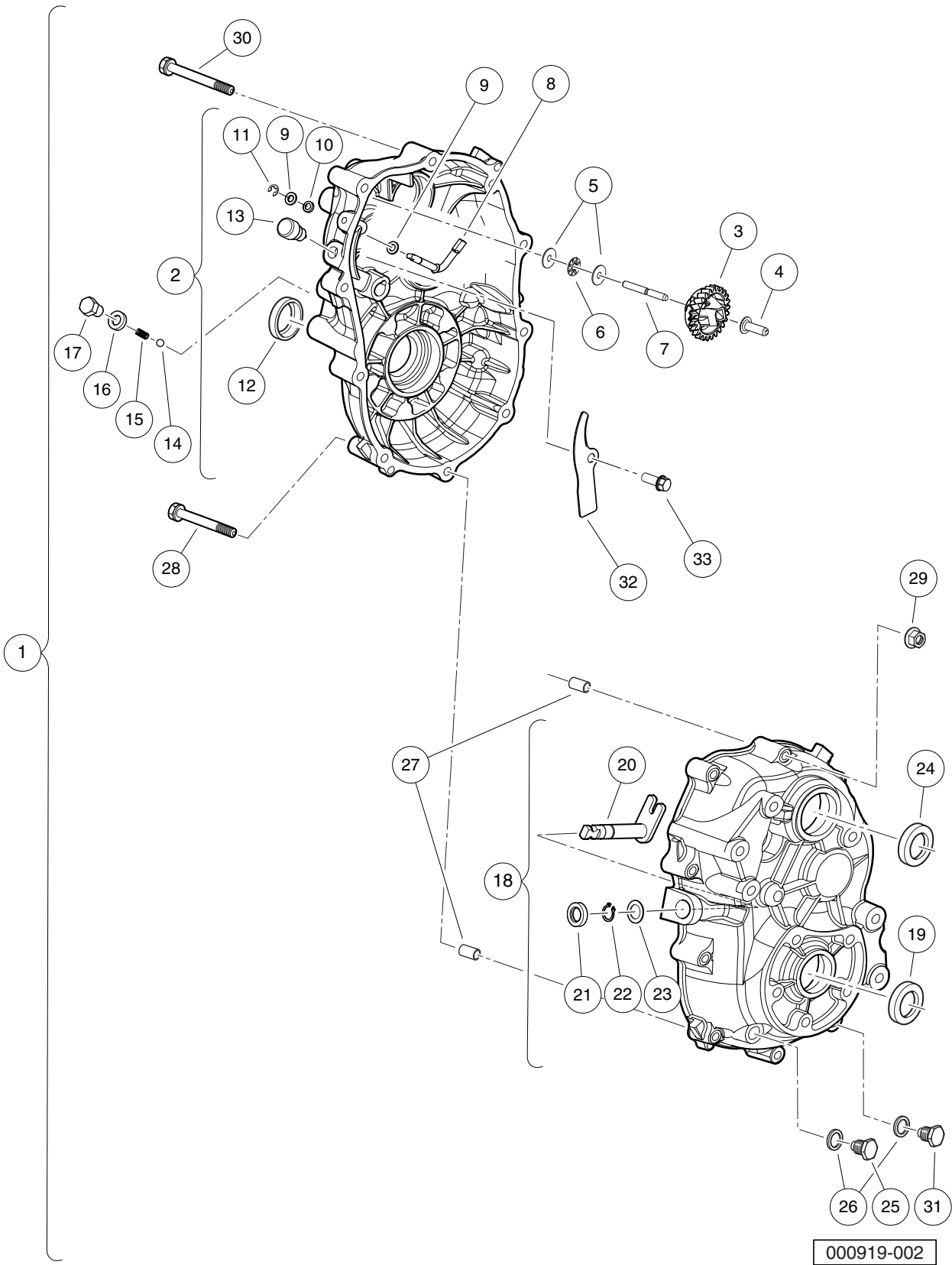
000966-002

GOVERNOR ARM AND BRACKETS – UTILITY VEHICLES

ITEM	PART NO.	DESCRIPTION	QTY
		1 2 3 4	
1	1011114	Nut, M6-1.00 Hex	1
2	1014007	Washer, 1/4, Flat	1
3	101886101	Screw, 1/4-20 X 1.00, Square-Head	1
4	102476401	Bolt, Stop, Pedal	1
5	102498201	Bolt, M10 X 1.25 X 25, Loctite	2
6	104023501	Arm, Governor, ED65	1
7	105144401	Weldment, Governor Bracket	1
8	8233	Locknut, 1/4-20, Nylon Insert	1

13

G

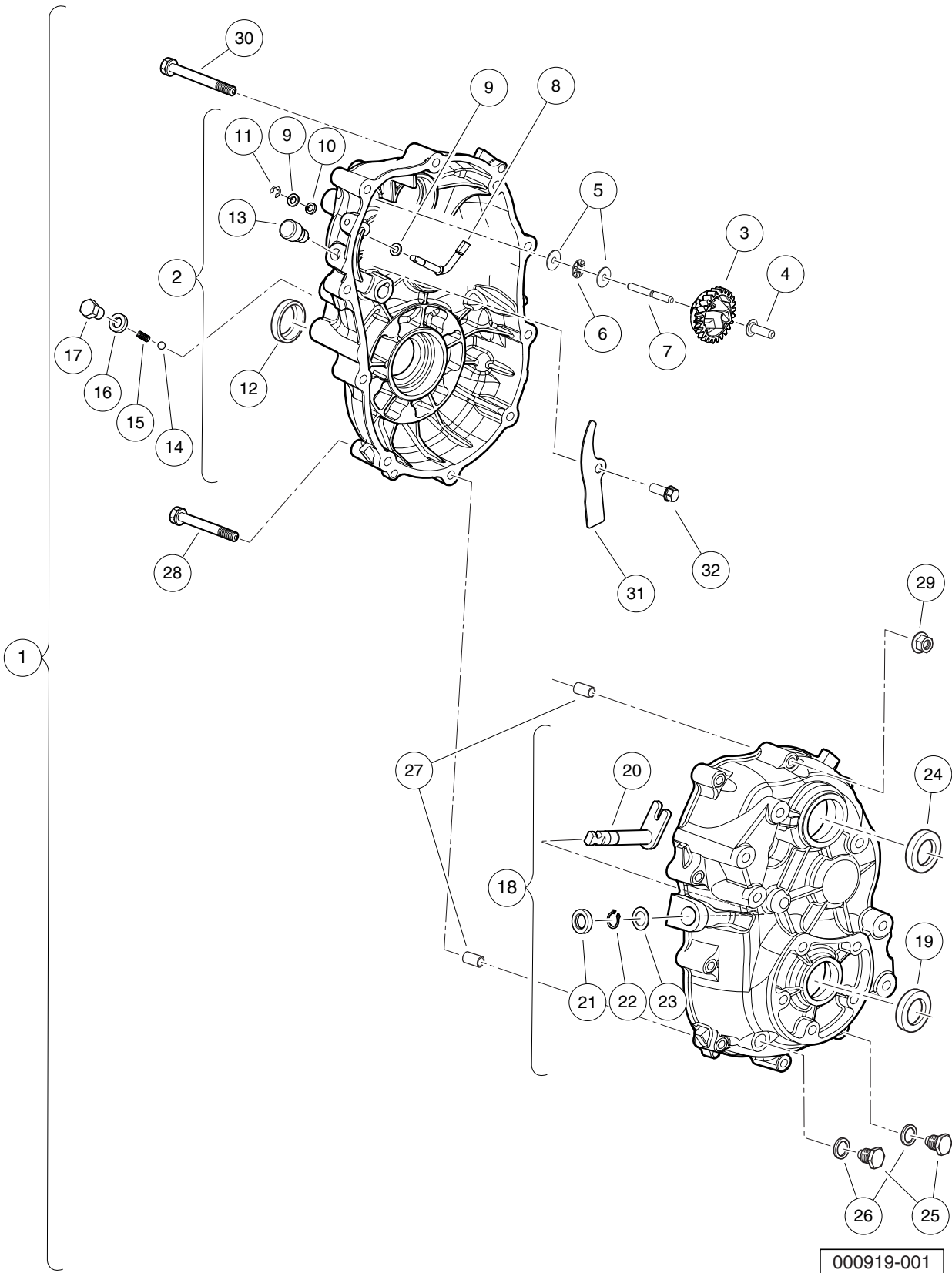


TRANSAXLE (ED65), LIMITED SLIP – PAGE 1 OF 3

ITEM	PART NO.	DESCRIPTION	QTY
		1 2 3 4	
1	103879702	Transaxle, ED65, Limited-Slip Differential (includes items 2 through 33)	1
2	105025001	Case, Transaxle, Left, Complete, ED65 (includes items 3 through 13)	1
3	105025101	Gear, Governor, Complete, ED65	1
4	105025201	Sleeve, Governor, ED65	1
5	105025301	Washer, ED65	2
6	105025401	Bearing, Thrust, ED65	1
7	105025501	Shaft, Governor Gear, ED65	1
8	105025601	Shaft, Governor, ED65	1
9	105025701	Washer, 6mm, ED65	2
10	105025801	Seal, Oil, 6x10x2.5, ED65	1
11	105025901	Retaining Ring, E5, ED65	1
12	105026001	Seal, Oil, 24x40x9, ED65	1
13	105027101	Vent, Breather, ED65	1
14	105026101	Ball, Steel, ED65	1
15	105026201	Spring, ED65	1
16	105026301	Gasket, 10, ED65	1
17	105026401	Bolt, M10-1.25x12mm Lg, ED65	1
18	105026501	Case, Transaxle, Right, Complete, ED65 (includes items 19 through 24)	1
19	105026001	Seal, Oil, 24x40x9, ED65	1
20	105026601	Shaft, Select, ED65	1
21	105026701	Seal, Oil, 13x22x5, ED65	1
22	105026801	Snap Ring, 13mm, ED65	1
23	105026901	Spacer, 13x1, ED65	1
24	105027001	Seal, Oil, 25x45x7, ED65	1
25	105027201	Plug, Oil Drain, ED65	1
26	105027301	Gasket, 14, ED65	2
27	105028301	Pin, Guide, ED65	2
28	105028501	Bolt, Flange, M8-1.25x65mm, ED65	1
29	105030001	Nut, Flange, M8-1.25, ED65	10
30	105030701	Bolt, Flanged, M8-1.25x80mm, ED65	9
31	105063501	Plug, Oil Drain, Magnetic, ED65	1
32	105234801	Plate, Ed65 Splash	1
33	105234901	Bolt, M6-1 X 12mm Lg, Ed65	1
Note: Fuji transaxle component listings span three pages. To identify your transaxle, locate the serial number decal on the axle tube.			

13

G



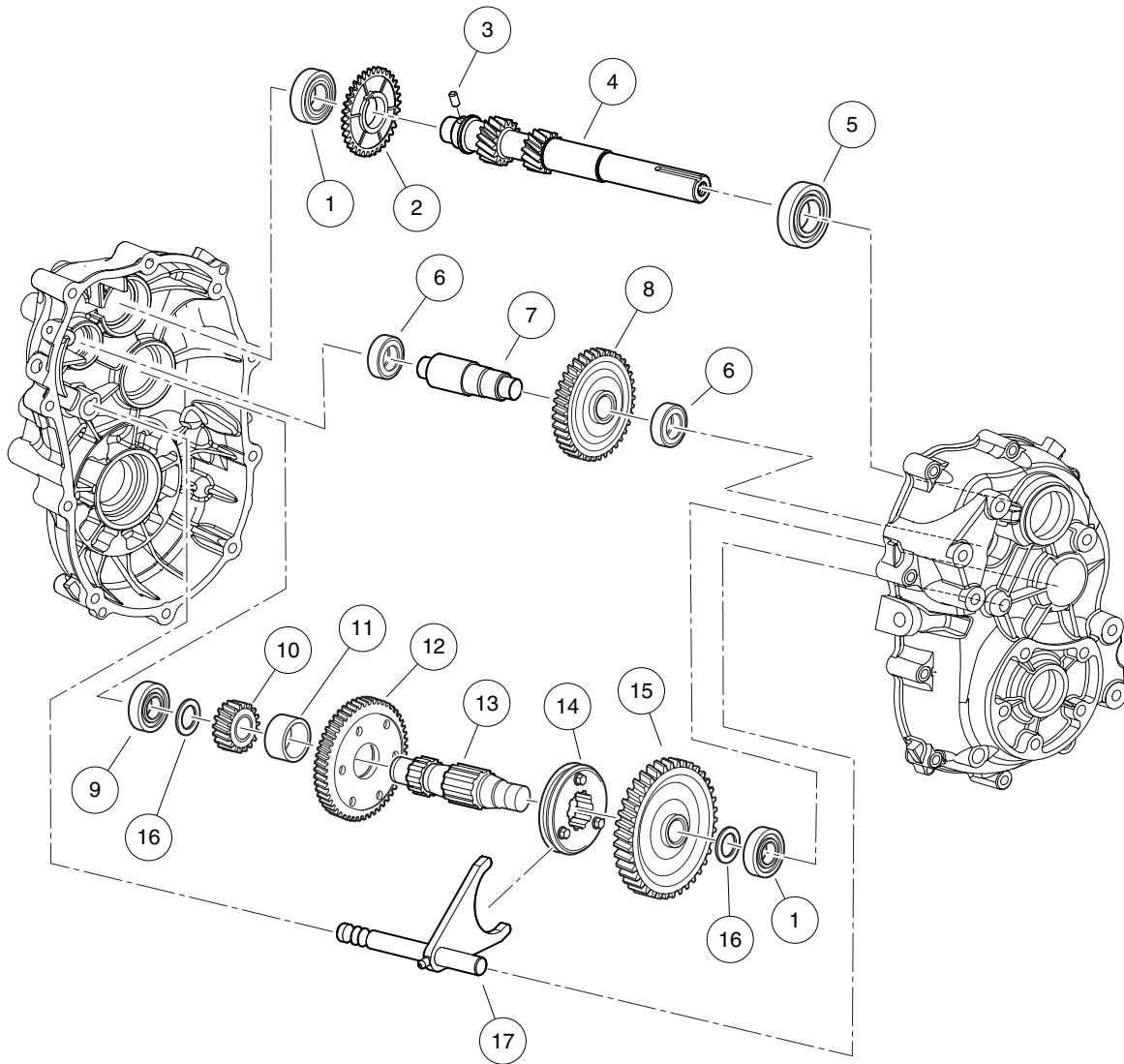
000919-001

TRANSAXLE (ED65), OPEN – PAGE 1 OF 3

ITEM	PART NO.	DESCRIPTION	QTY
		1 2 3 4	
1	103879701	Transaxle, ED65, Open Differential (includes items 2 through 32)	1
2	105025001	Case, Transaxle, Left, Complete, ED65 (includes items 3 through 13)	1
3	105025101	Gear, Governor, Complete, ED65	1
4	105025201	Sleeve, Governor, ED65	1
5	105025301	Washer, ED65	2
6	105025401	Bearing, Thrust, ED65	1
7	105025501	Shaft, Governor Gear, ED65	1
8	105025601	Shaft, Governor, ED65	1
9	105025701	Washer, 6mm, ED65	2
10	105025801	Seal, Oil, 6x10x2.5, ED65	1
11	105025901	Retaining Ring, E5, ED65	1
12	105026001	Seal, Oil, 24x40x9, ED65	1
13	105027101	Vent, Breather, ED65	1
14	105026101	Ball, Steel, ED65	1
15	105026201	Spring, ED65	1
16	105026301	Gasket, 10, ED65	1
17	105026401	Bolt, M10-1.25x12mm Lg, ED65	1
18	105026501	Case, Transaxle, Right, Complete, ED65 (includes items 19 through 24)	1
19	105026001	Seal, Oil, 24x40x9, ED65	1
20	105026601	Shaft, Select, ED65	1
21	105026701	Seal, Oil, 13x22x5, ED65	1
22	105026801	Snap Ring, 13mm, ED65	1
23	105026901	Spacer, 13x1, ED65	1
24	105027001	Seal, Oil, 25x45x7, ED65	1
25	105027201	Plug, Oil Drain, ED65	2
26	105027301	Gasket, 14, ED65	2
27	105028301	Pin, Guide, ED65	2
28	105028501	Bolt, Flange, M8-1.25x65mm, ED65	1
29	105030001	Nut, Flange, M8-1.25, ED65	10
30	105030701	Bolt, Flanged, M8-1.25x80mm, ED65	9
31	105234801	Plate, Ed65 Splash	1
32	105234901	Bolt, M6-1 X 12mm Lg, Ed65	1
		Note: Fuji transaxle component listings span three pages. To identify your transaxle, locate the serial number decal on the axle tube.	

13

G



000919-003

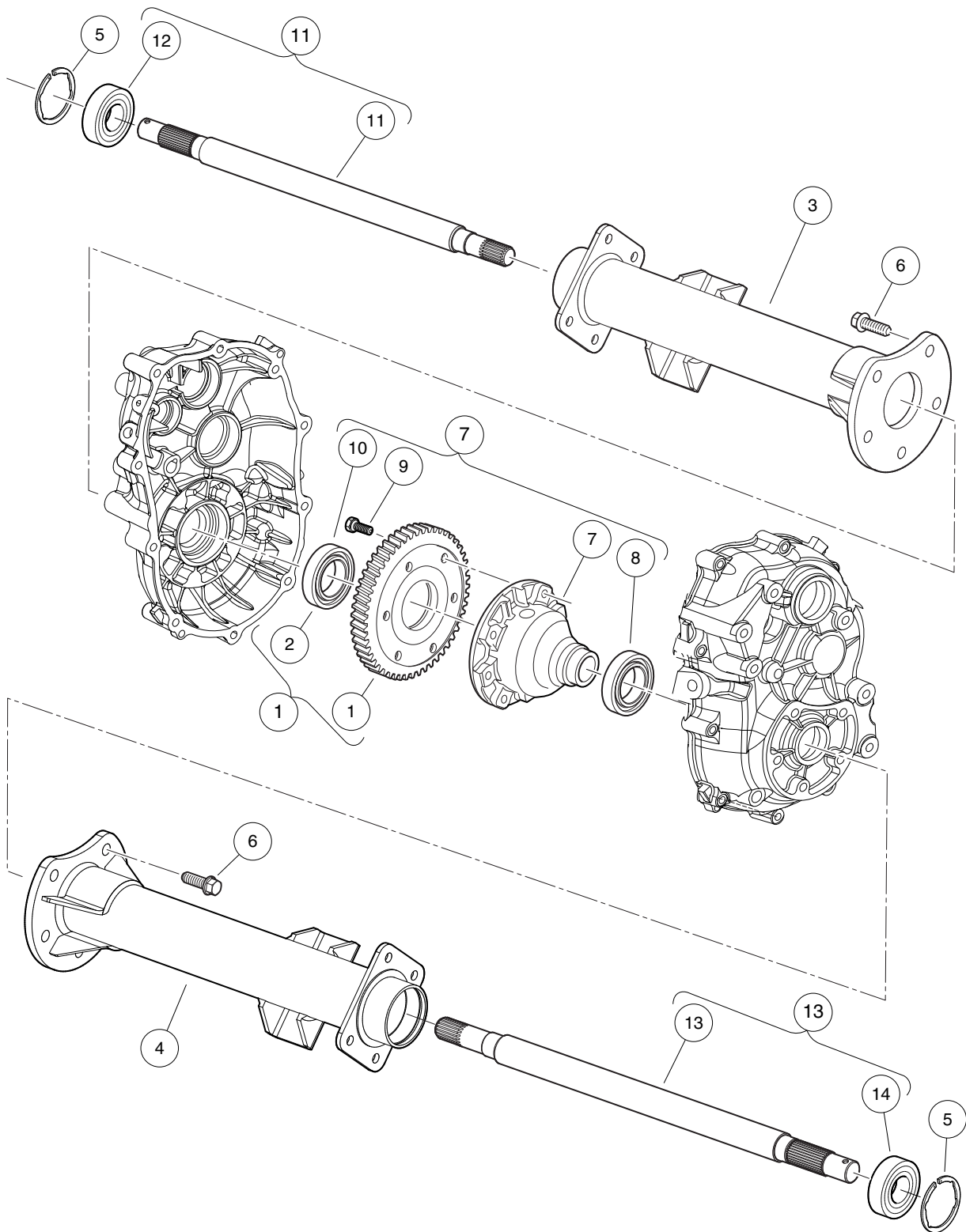
TRANSAXLE (ED65), LIMITED SLIP AND OPEN – PAGE 2 OF 3

ITEM	PART NO.	DESCRIPTION	QTY
		1 2 3 4	
1	105027401	Bearing, Ball (6204)	2
2	105027501	Gear, Governor, 34 Tooth, ED65	1
3	105027601	Pin, 6x12 Long, ED65	1
4	105027701	Shaft, Input, ED65	1
5	105027801	Bearing, Ball (6205 seal)	1
6	105027901	Bearing, Ball (6202)	2
7	105028001	Shaft, Counter, ED65	1
8	105028201	Gear, 34 Tooth, ED65	1
9	105028401	Bearing, Ball (6304)	1
10	105028601	Gear, 17 Tooth, ED65	1
11	105028701	Collar, 24 x 12, ED65	1
12	105028801	Gear, 52 Tooth, ED65	1
13	105028901	Shaft, Center, ED65	1
14	105029001	Clutch, Pin, ED65	1
15	105029101	Gear, 62 Tooth, ED65	1
16	105029201	Spacer, 20x2, ED65	2
17	105030901	Shaft, Shift, ED65	1
		<p>Note: To identify your transaxle, locate the serial number decal on the axle tube.</p>	

13

G

13
G



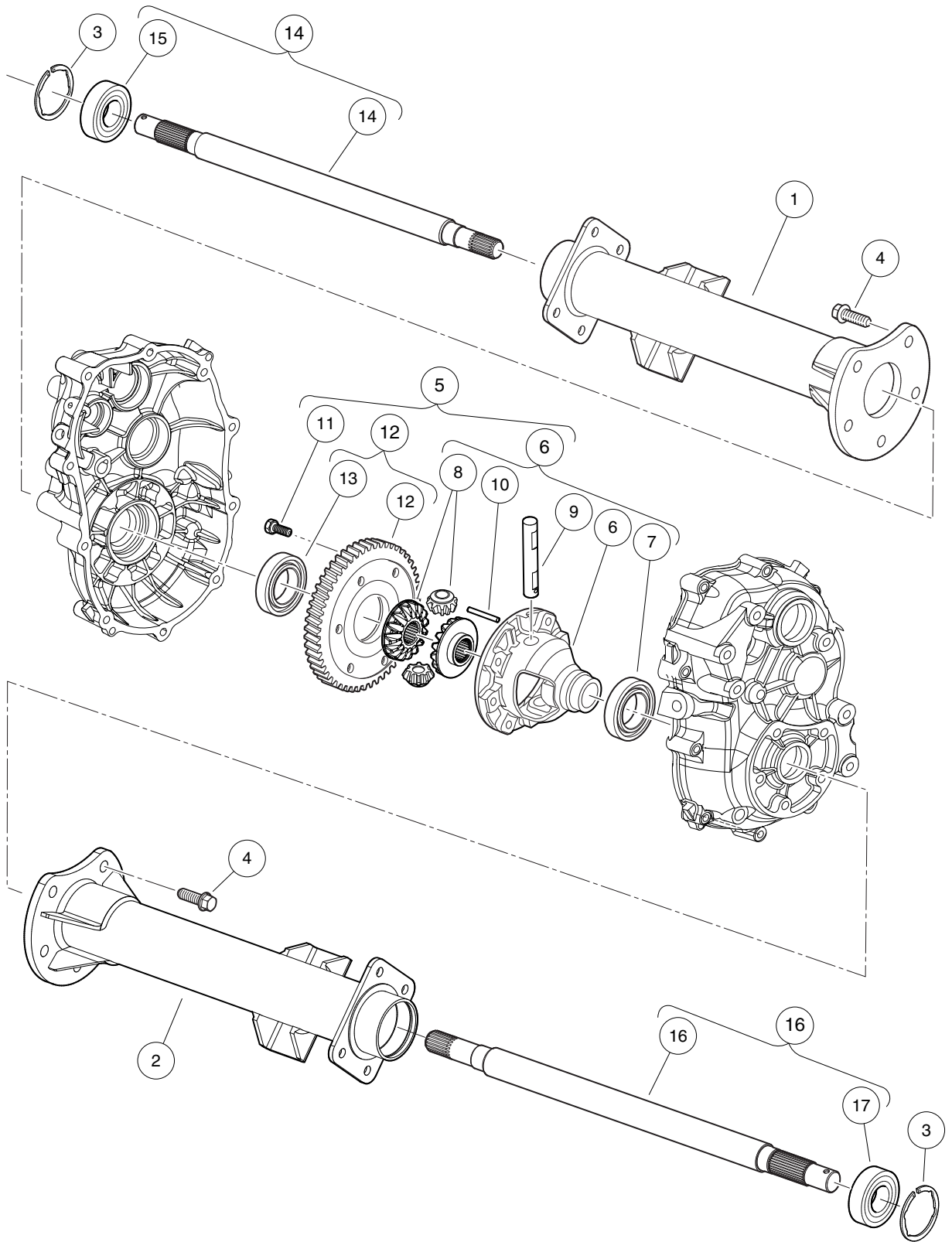
000919-005

TRANSAXLE (ED65), LIMITED SLIP – PAGE 3 OF 3

ITEM	PART NO.	DESCRIPTION	QTY
		1 2 3 4	
1	105029901	Gear, 60 Tooth, Complete, ED65 (includes item 2)	1
2	105029801	Bearing, Ball (6007)	1
3	105030401	Axle Tube, Driver-Side, ED65	1
4	105030501	Axle Tube, Passenger-Side, ED65	1
5	105030601	Snap Ring, 52mm, ED65	2
6	105030801	Bolt, Flange, M10-1.25x25, ED65	10
7	105063601	Differential, Limited-Slip, ED65 (includes items 8 through 10)	1
8	105028101	Bearing, Ball (6006)	1
9	105029501	Bolt, M10-1.25x26mm Lg, ED65	6
10	105029801	Bearing, Ball (6007)	1
11	105066001	Axle Shaft, Driver-Side, Complete, ED65 (includes item 12)	1
12	105030301	Bearing, Ball (6205DD)	1
13	105066101	Axle Shaft, Passenger-Side, Complete, ED65 (includes item 14)	1
14	105030301	Bearing, Ball (6205DD)	1
		Note: To identify your transaxle, locate the serial number decal on the axle tube.	

13

G



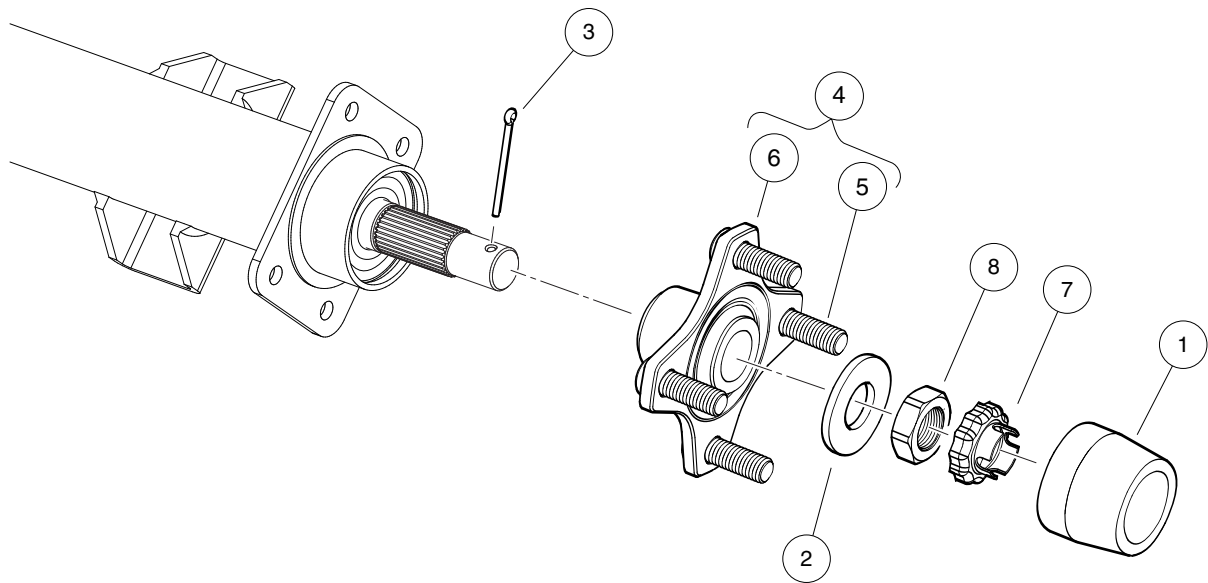
000919-004

TRANSAXLE (ED65), OPEN – PAGE 3 OF 3

ITEM	PART NO.	DESCRIPTION	QTY
		1 2 3 4	
1	105030401	Axle Tube, Driver-Side, ED65	1
2	105030501	Axle Tube, Passenger-Side, ED65	1
3	105030601	Snap Ring, 52mm, ED65	2
4	105030801	Bolt, Flange, M10-1.25x25, ED65	10
5	105031001	Differential, Open, ED65 (includes items 6 through 12)	1
6	105029301	Case, Differential, Complete, ED65 (includes items 7 through 10)	1
7	105028101	Bearing, Ball (6006)	1
8	105029401	Gear Set, Differential, ED65	1
9	105029601	Shaft, Differential, ED65	1
10	105029701	Pin, 4x40 Long, ED65	1
11	105029501	Bolt, M10-1.25x26mm Lg, ED65	6
12	105029901	Gear, 60 Tooth, Complete, ED65 (includes item 13)	1
13	105029801	Bearing, Ball (6007)	1
14	105066001	Axle Shaft, Driver-Side, Complete, ED65 (includes item 15)	1
15	105030301	Bearing, Ball (6205DD)	1
16	105066101	Axle Shaft, Passenger-Side, Complete, ED65 (includes item 17)	1
17	105030301	Bearing, Ball (6205DD)	1
Note: To identify your transaxle, locate the serial number decal on the axle tube.			

13

G



000919-006

HUB, REAR

ITEM	PART NO.	DESCRIPTION	QTY
		1 2 3 4	
1	102274101	Center Cap, Rubber	2
2	102617801	Washer, Hard, M22	2
3	103989501	Pin, Cotter, 9/64 X 1.75"	2
4	103995001	Asm, Hub, Machined (includes items 5 and 6)	2
5	103951501	Lug Stud, 1/2-20 UNF, SAE J1102	4
6	103979301	Hub, Machined	1
7	104021701	Retaining Ring, Hex Nut, M22	2
8	104027101	Nut, Hex, M22x1.5, Thin	2

13
G

13

G

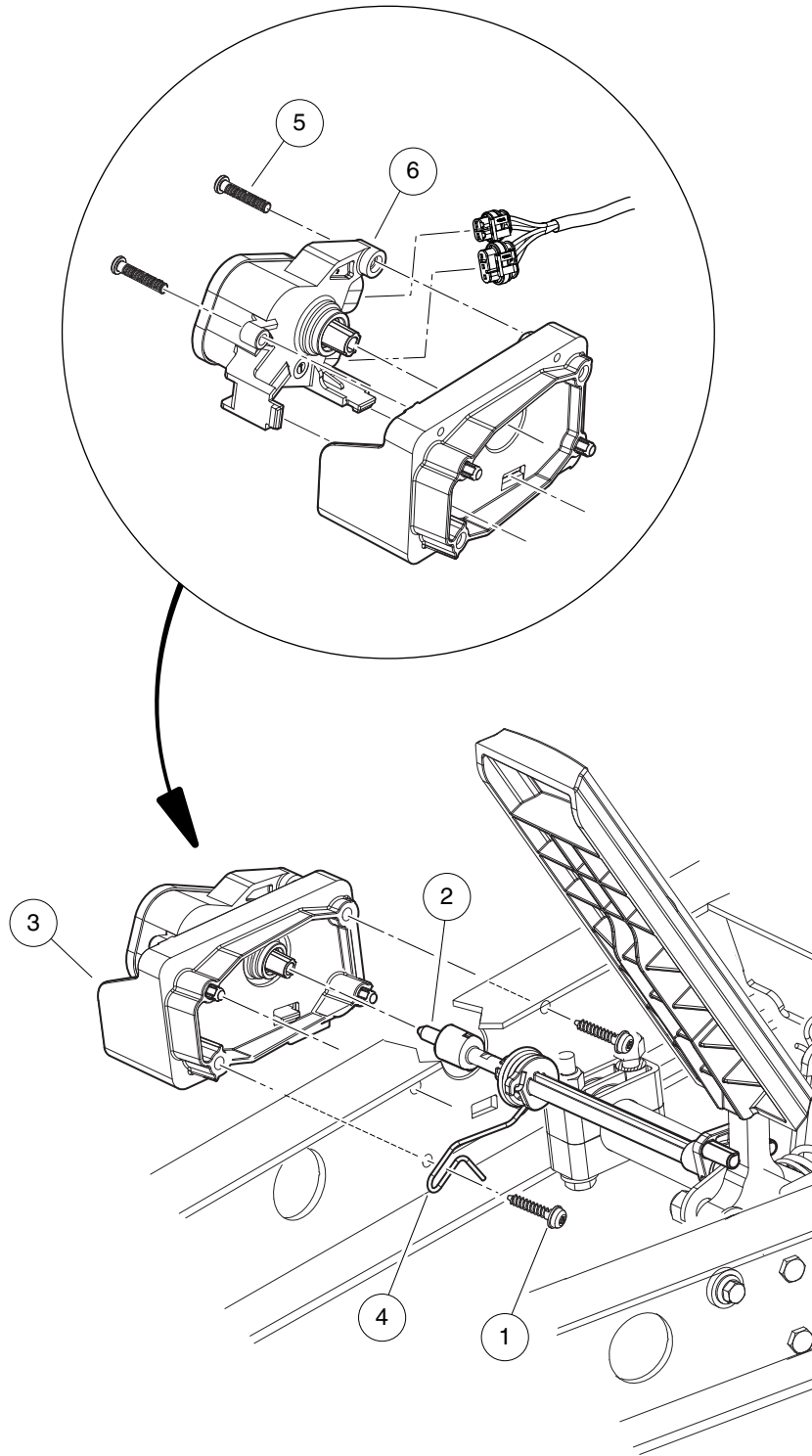
ELECTRICAL SYSTEM – ELECTRIC VEHICLES WITH ERIC-CHARGER

14

E

14

E



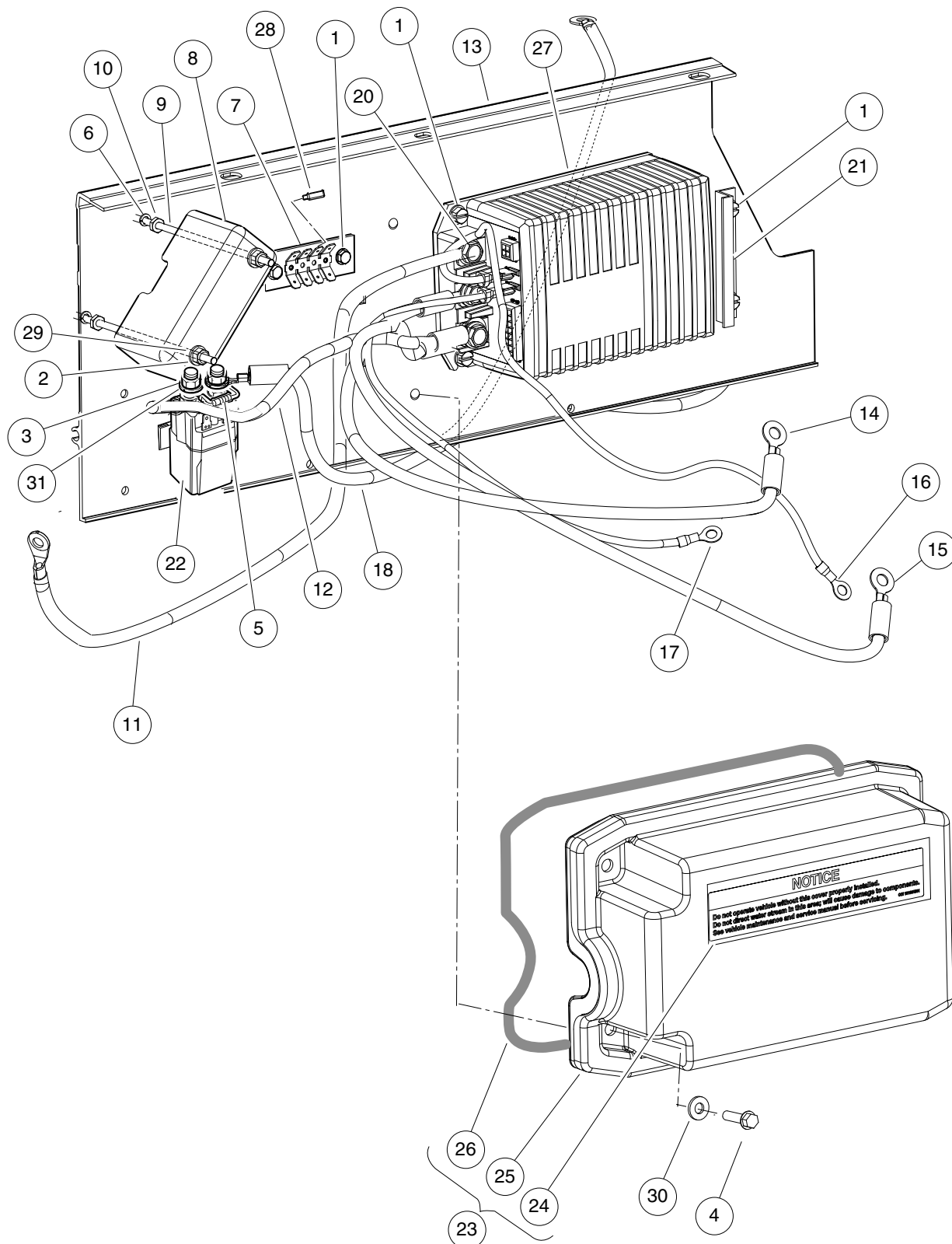
002522-001

MOTOR CONTROLLER OUTPUT REGULATOR (MCOR)

ITEM	PART NO.	DESCRIPTION	QTY
		1 2 3 4	
1	102297230	Screw, M6, Torx, Interlock Thread	2
2	103902101	Bar, Drive, Cast	1
3	103902301	Housing, Mcor	1
4	103902401	Spring, Torsion	1
5	103943401	Screw, Pan, #10 X 1.00 Hi-lo	2
6	105116301	MCOR4, Type 16 Switch	1

14

E



002514-001

ELECTRIC COMPONENTS

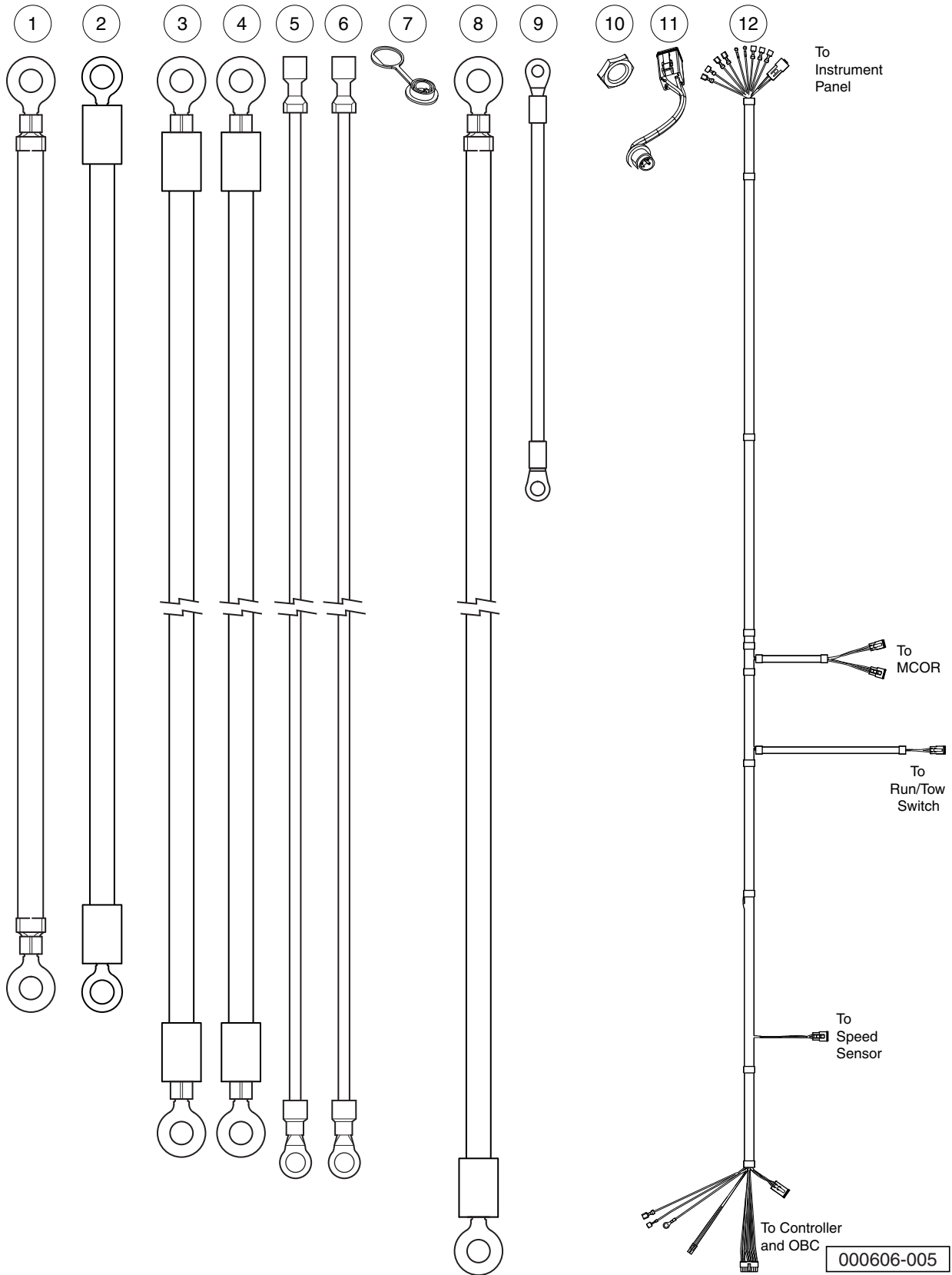
ITEM	PART NO.	DESCRIPTION	QTY
		1 2 3 4	
1	1012285	Screw, 1/4 X 0.625 Hex-Head	5
2	1012438	Locknut, #10-24 Nylon Insert	2
3	1012528	Nut, M8-1.25 Hex	2
4	1014063	Screw, 1/4-20 X 1.00, Hex Head	2
5	1014947	Resistor Assembly	1
6	1016	Lockwasher, #10 Split	2
7	1016356	Terminal Block with Insulator	1
8	1016363	Fuse Block Cover	1
9	1016366	Screw, #10-24 X 3.0 Pan-Head Machine	2
10	1017	Nut, #10-24 Stainless-Steel Hex Machine	2
11	101795705	Asm, Wire, #6blk, 37 In	1
12	101903001	Wire Assembly #6 Yellow	1
13	101965206	Plate, Component, No Obc, Lt	1
14	101968701	Wire Assy, #6 White	1
15	101978001	Wire Assy, #6 Green	1
16	101978102	Asm, Wire, #10 Orange 1/4	1
17	101978202	Asm, Wire, #10 Blue 1/4	1
18	102199601	Wire Asm, #6 Red, 37.7	1
19	102238001	#10-24 Taptite Screw	2
20	102240501	Bolt, Controller, Terminal	3
21	102243101	Extrusion, Cover Support	1
22	102865901	Solenoid 48v Slot Mt No Diode	1
23	103316901	Cover Asm - Controller (includes items 24 through 26)	1
24	101931501	Decal, Component Cover	1
25	103316701	Cover - Controller, Deep	1
26	103316801	Gasket - Controller Cover	1
27	103982301	Controller, 1515, 250A, White	1
28	105195501	Cap, Quick Conn Tab, 1/4 In	5
29	183	Washer, #10, Type A, Flat	2
30	332	Washer, 1/4 Type A Narrow Flat	2
31	7174	Lockwasher, 5/16 Split	2

14

E

14

E



WIRING SOFT-BODY ELECTRIC WITH ERIC

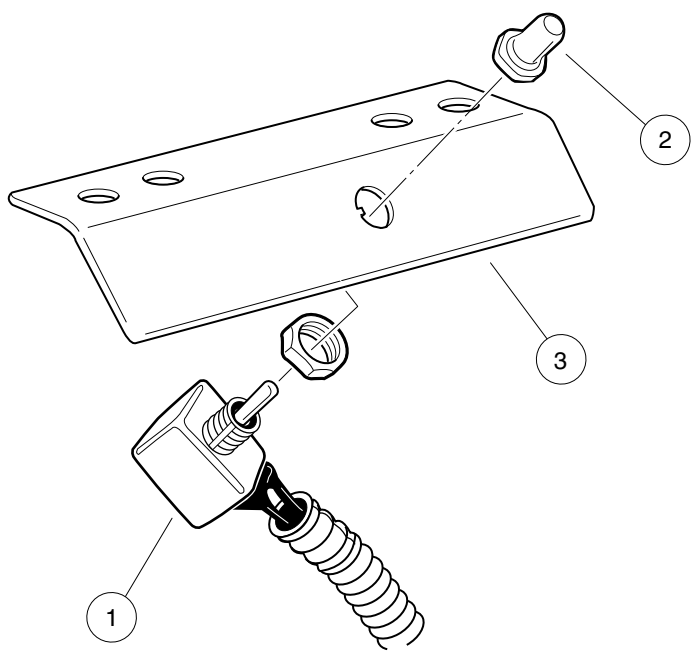
ITEM	PART NO.	DESCRIPTION	QTY
		1 2 3 4	
1	101795705	Asm, Wire, #6blk, 37 In	5
2	101903001	Wire Assembly #6 Yellow	1
3	101968701	Wire Assy, #6 White	1
4	101978001	Wire Assy, #6 Green	1
5	101978102	Asm, Wire, #10 Orange 1/4	1
6	101978202	Asm, Wire, #10 Blue 1/4	1
7	102196901	Dust Cap	1
8	102199601	Wire Asm, #6 Red, 37.7	1
9	102263601	Wire Assy, #10 Black	1
10	102572401	Nut, Diagnostic Port	1
11	103218601	Harness, Diagnostic Port	1
12	47563434001	Harness, Main, Sb, Hfc	1

14

E

14

E



000605-002

TOW/RUN SWITCH – IQ SYSTEM

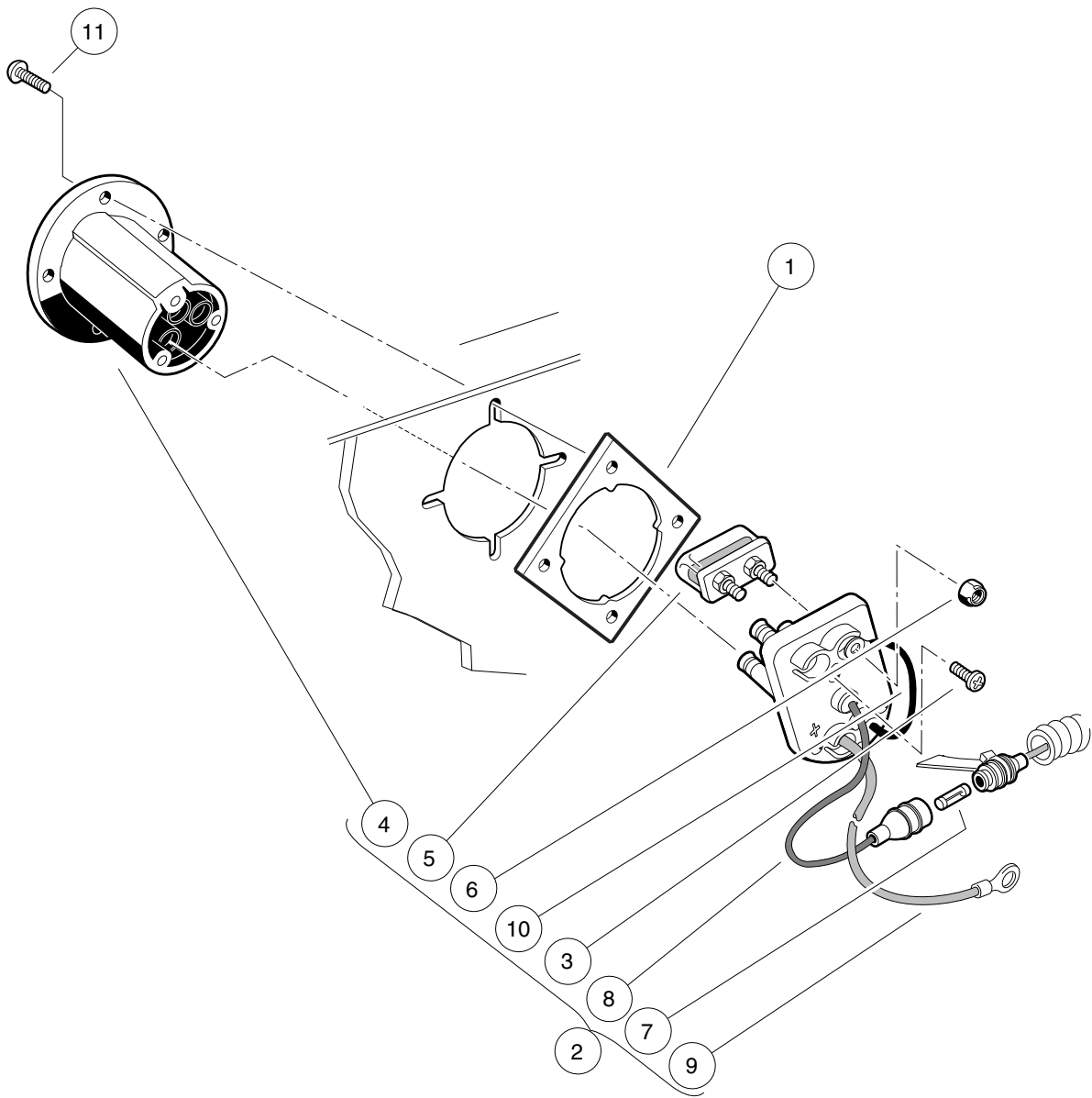
ITEM	PART NO.	DESCRIPTION	QTY
		1 2 3 4	
1	101908101	Switch Assembly, Tow/Run	1
2	101908401	Boot, Switch	1
3	101922501	Bracket, Tow/Run Switch Mounting	1

14

E

14

E



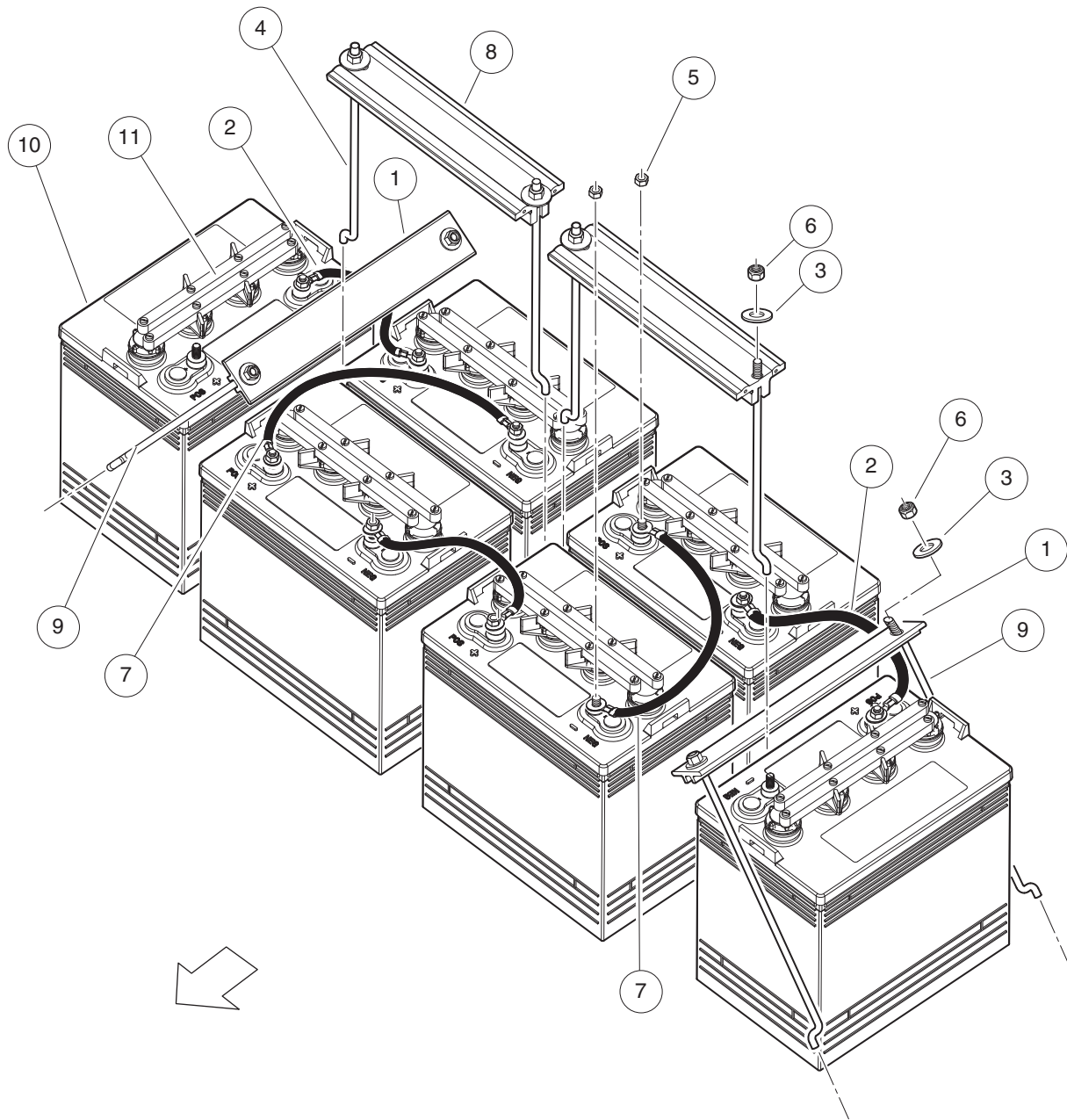
000369-001

BATTERY CHARGER RECEPTACLE- ERIC CHARGER

ITEM	PART NO.	DESCRIPTION	QTY
		1 2 3 4	
1	101801001	Plate, Receptacle Backing	1
2	101832001	Screw, #7-19 X 0.625 Phillips Pan-Head Tap	4
3	47564781001	Receptacle, Body Mnt, Hfc	1

14

E



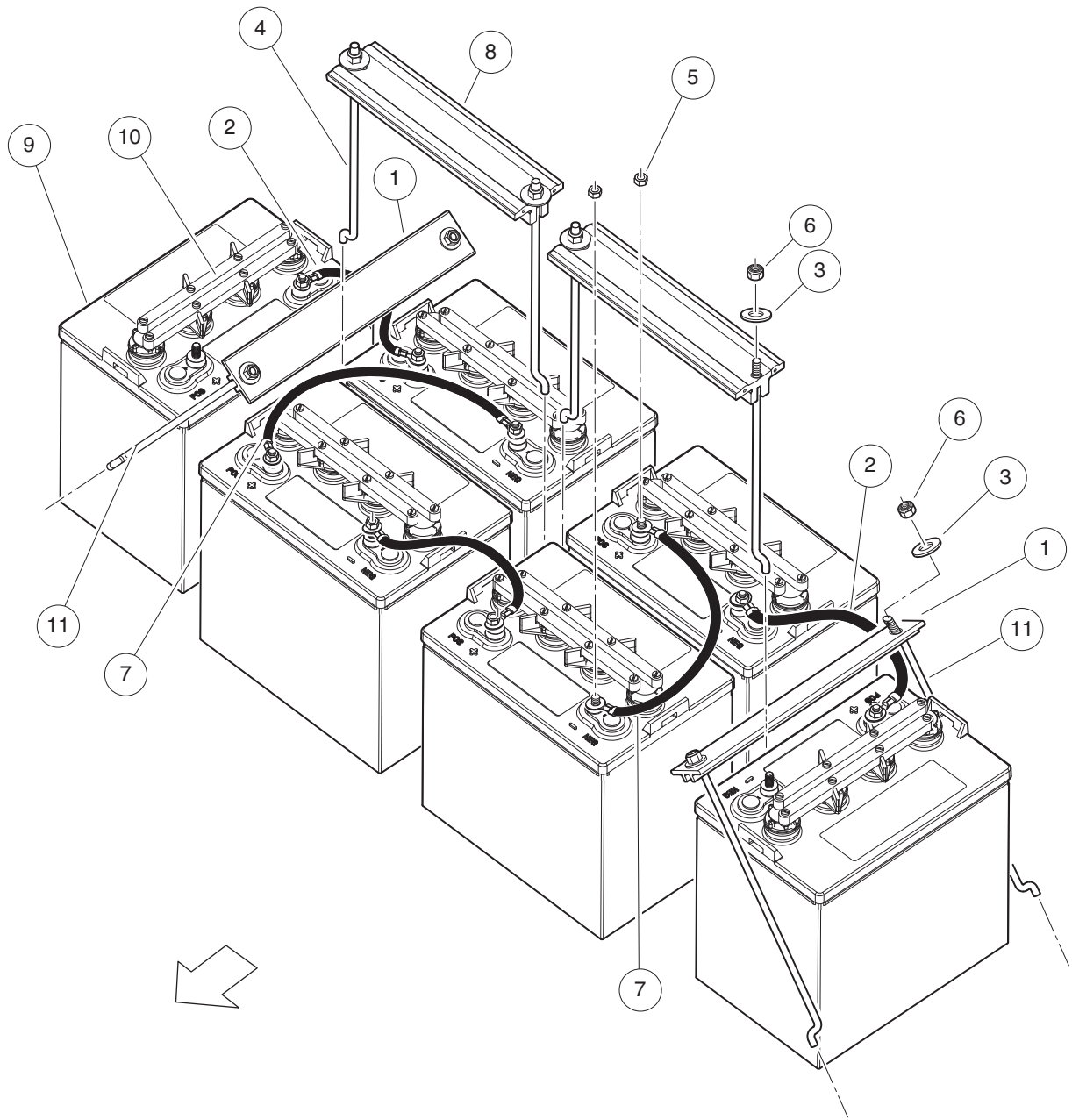
001317-001

BATTERIES, 8-VOLT, CROWN

ITEM	PART NO.	DESCRIPTION	QTY
		1 2 3 4	
1	101090802	Hold-Down, Battery	2
2	1010958	Asm, Wire, #6blk 8in	3
3	1011697	Washer, 5/16 Flat	8
4	1013683	J-Bolt	4
5	1014304	Nut, 5/16-18 Stainless-Steel Hex	12
6	1015072	Locknut, 5/16-18 Nylon Insert	8
7	101795701	Asm, Wire, #6blk, 15 In	2
8	103504301	Tee, Batt Ret Ctr Short	2
9	103696801	J Bolt, Batt Hold Down 12"	4
10	103719701	Battery, 8-Volt, Crown CR165 (includes item 11)	6
11	103878401	Cap, Batt, 8v, Crown, Svc	1

14

E



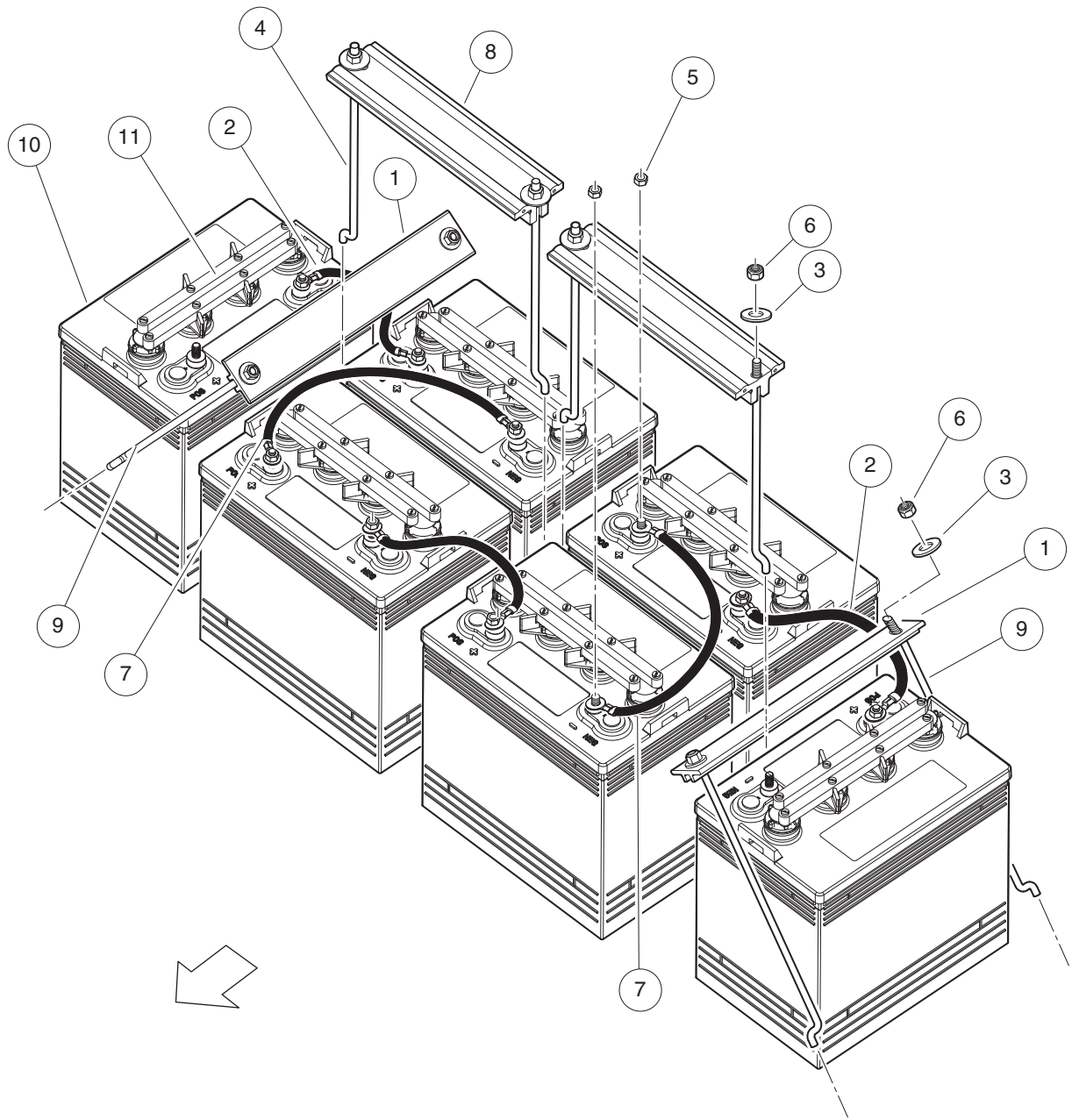
001316-001

BATTERIES, 8-VOLT, U.S. BATTERY

ITEM	PART NO.	DESCRIPTION	QTY
		1 2 3 4	
1	101090802	Hold-Down, Battery	2
2	1010958	Asm, Wire, #6blk 8in	3
3	1011697	Washer, 5/16 Flat	8
4	1013683	J-Bolt	4
5	1014304	Nut, 5/16-18 Stainless-Steel Hex	12
6	1015072	Locknut, 5/16-18 Nylon Insert	8
7	101795701	Asm, Wire, #6blk, 15 In	2
8	103504301	Tee, Batt Ret Ctr Short	2
9	103695801	Battery, 8-Volt, US Battery 8VGCXC (includes item 10)	6
10	103930201	Cap, Battery, Us 8v, Svc	1
11	103696801	J Bolt, Batt Hold Down 12"	4

14

E



001317-001

BATTERIES, 8-VOLT, JCI

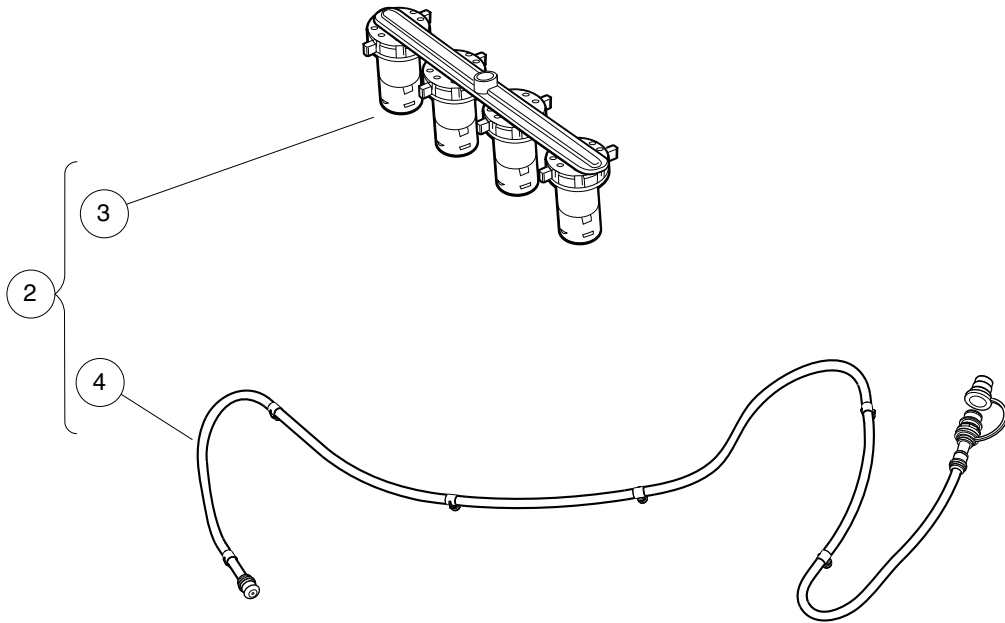
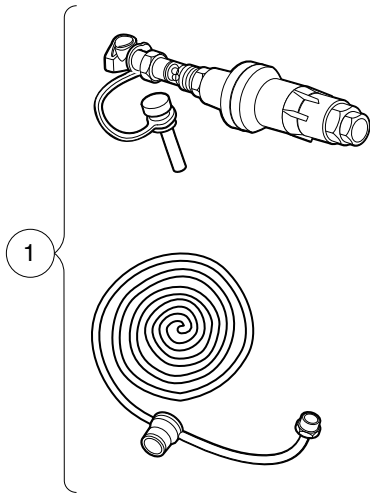
ITEM	PART NO.	DESCRIPTION	QTY
		1 2 3 4	
1	101090802	Hold-Down, Battery	2
2	1010958	Asm, Wire, #6blk 8in	3
3	1011697	Washer, 5/16 Flat	8
4	1013683	J-Bolt	4
5	1014304	Nut, 5/16-18 Stainless-Steel Hex	12
6	1015072	Locknut, 5/16-18 Nylon Insert	8
7	101795701	Asm, Wire, #6blk, 15 In	2
8	103504301	Tee, Batt Ret Ctr Short	2
9	103696801	J Bolt, Batt Hold Down 12"	4
10	103793001	Battery, 8-Volt, JCI GC8 (includes item 11)	6
11	103765601	Cap, Spin, 8-Volt Battery	1

14

E

14

E



000731-007

SINGLE POINT WATERING SYSTEM, 8V CROWN & JCI

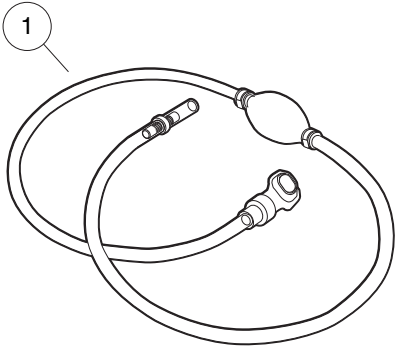
ITEM	PART NO.	DESCRIPTION	QTY
		1 2 3 4	
1	102958001	Kit Regulated Hose Sply Spws	1
2	103395505	Kit, Spws, 8 Volt Non-Trojan (includes items 3 and 4)	1
3	103510602	Spws, Manifold Asm, 8v Non-Trojan	6
4	103774701	Spws, Hose 8v Non-trojan	1
		Note: For Crown and JCI 8-Volt batteries only.	

14

E

14

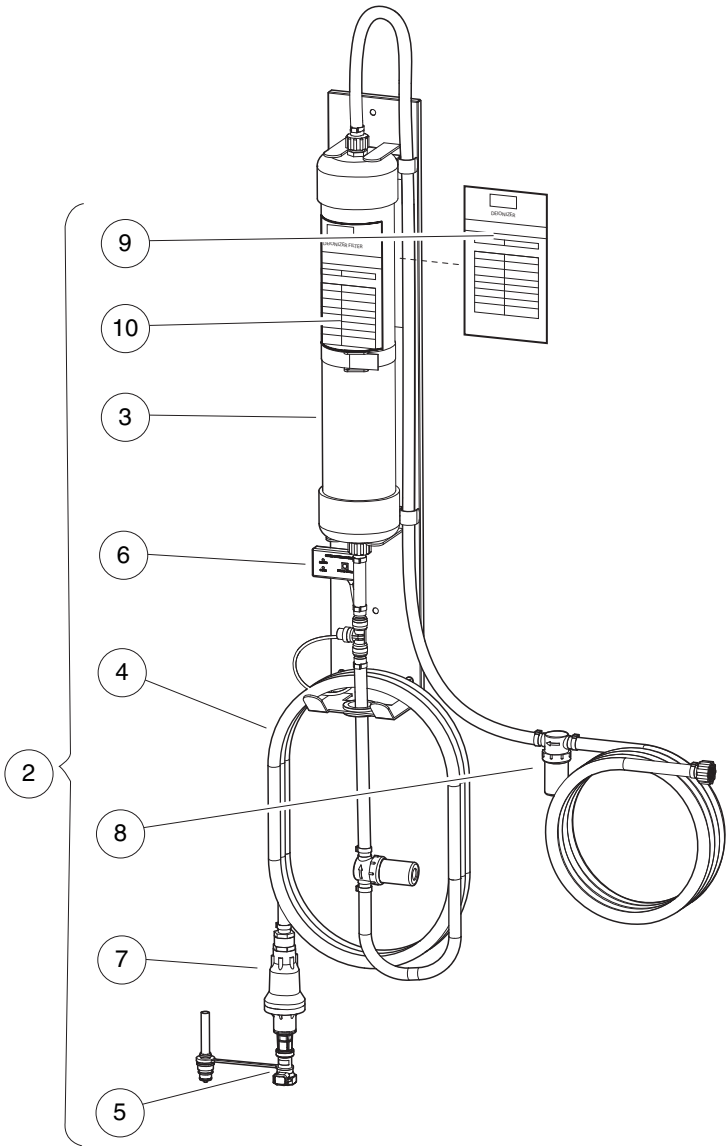
E



11



12



002523-003

HAND PUMP AND DEIONIZER (BATTERY-POWERED QUALITY LIGHT)

ITEM	PART NO.	DESCRIPTION	QTY
		1 2 3 4	
1	104006101	Kit, Hand Pump, Spws	1
2	105166801	Deionizer, w/Battery-Powered Water Quality Light (includes items 3 through 10)	1
3	104005901	Cartridge, Deionizer	1
4	105166901	Hose,outlet,deionizer	1
5	105167001	Flow Ind, W/coupler, Deionizer	1
6	105167101	Light, Quality, Battery-Powered, w/T-Fitting	1
7	105168501	Regulator, Pressure, Deionizer	1
8	105168601	Strainer, In-line, Deionizer	1
9	AM1300001	Decal, Filter Log, Blue	1
10	AM1300201	Decal, Inspect Log, Yellow	1
11	AM1300101	Decal, Filter Log, Blue, Pack of 100	A/R
12	AM1300301	Decal, Inspect Log, Yellow, Pack of 100	A/R

14

E

14

E

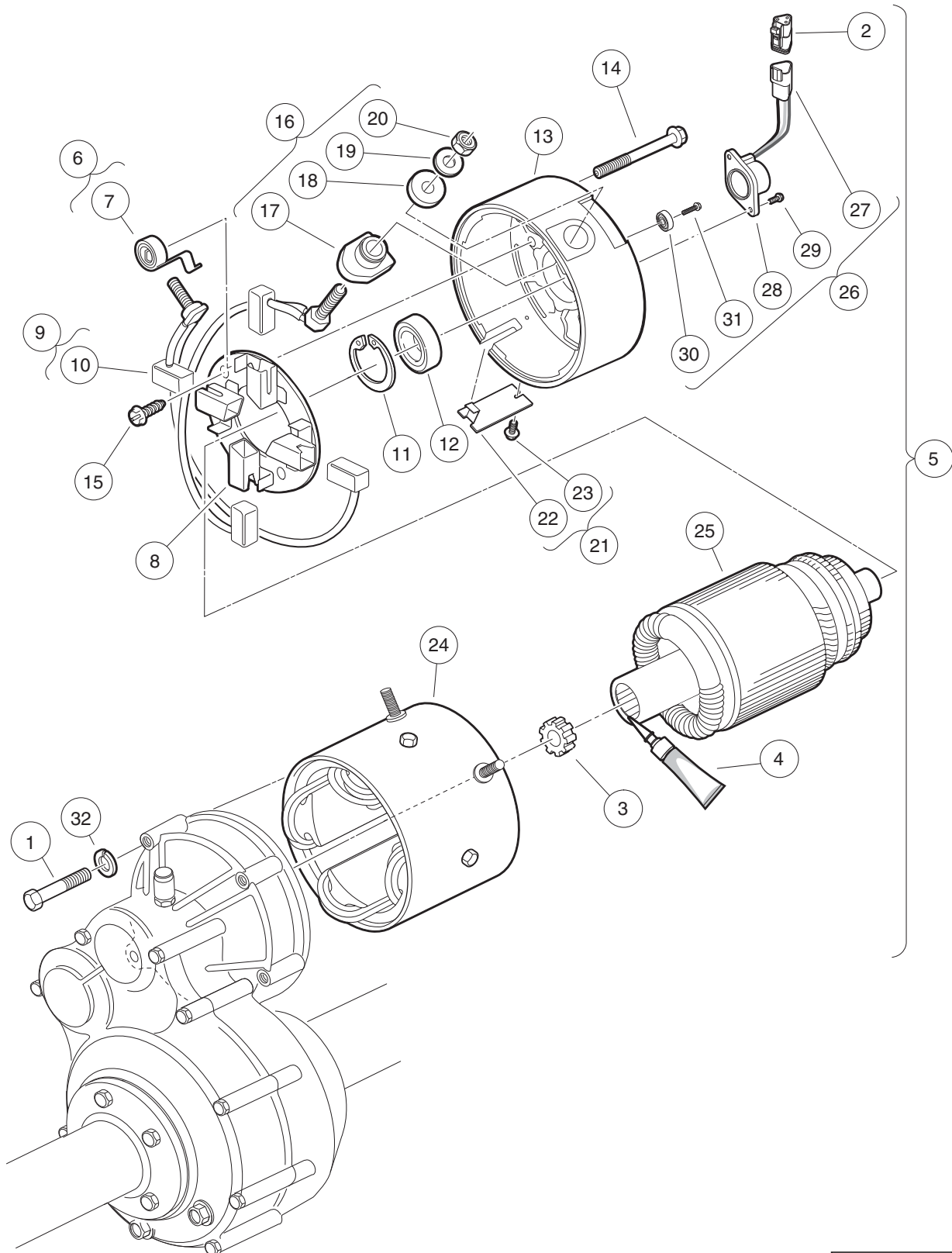
ELECTRIC MOTOR

15

E

15

E



000185-002

MOTOR (MODEL EJ8-4001A) – ELECTRIC VEHICLE

ITEM	PART NO.	DESCRIPTION	QTY
		1 2 3 4	
1	1014201	Screw, 1/4-20 X 2.25 Hex Cap	3
2	101920101	Kit, 3-Pin Wedge Lock	1
3	102235201	Bumper, Drive Unit	1
4	102243403	Lubricant, Moly-Teflon (Single-Use Tube)	1
5	103572501	IQ Electric Motor, 48-VDC 3.3 hp (includes items 6 through 26)	1
6	102186001	Spring Kit, Motor Brush (includes item 7)	1
7	N/A	Spring, Brush, S-g	4
8	102186101	Brush Box Assembly	1
9	102186201	Brush Kit, Motor (includes item 10)	1
10	N/A	Assembly, Brush and Terminal	2
11	N/A	Ring, 2.24" Internal Retaining	1
12	102186401	Bearing, Ball	1
13	102186701	End Cap, Motor	1
14	N/A	Screw, 1/4-20 X 2.25 Hex-Head Washer	2
15	102186901	Screw, #8-32 X .5 Hex-Head	2
16	102187101	Hardware Kit, Motor Terminal (includes items 17 through 20)	2
17	N/A	Bushing, Nylon	2
18	N/A	Washer, Nylon Flat	2
19	N/A	Washer, Flat, 5/16 Steel	2
20	N/A	Nut, Brass Hex, 5/16 - 18	2
21	102187201	Plate Kit, Motor Cover (includes items 22 and 23)	1
22	N/A	Assembly, Cover Plate	1
23	N/A	Screw, #8-32 x 0.375, Taptite Thread	1
24	102704701	Frame and Field Assembly	1
25	102704801	Armature Assembly	1
26	102704901	Kit, Speed Sensor (includes items 27 through 31)	1
27	101942301	Kit, 3-Pin Wedge Lock	1
28	N/A	Sensor, Motor Speed, ADC	1
29	N/A	Screw, #8-32, Taptite Thread	2
30	N/A	Magnet, ADC Motor	1
31	N/A	Screw, 1/4-20 x 0.5	1
32	451	Lockwasher, 1/4 Split	3
Note: The F1 and F2 terminal posts on the EJ8-4001A motor have 1/4 - 20			

15

E

15

E

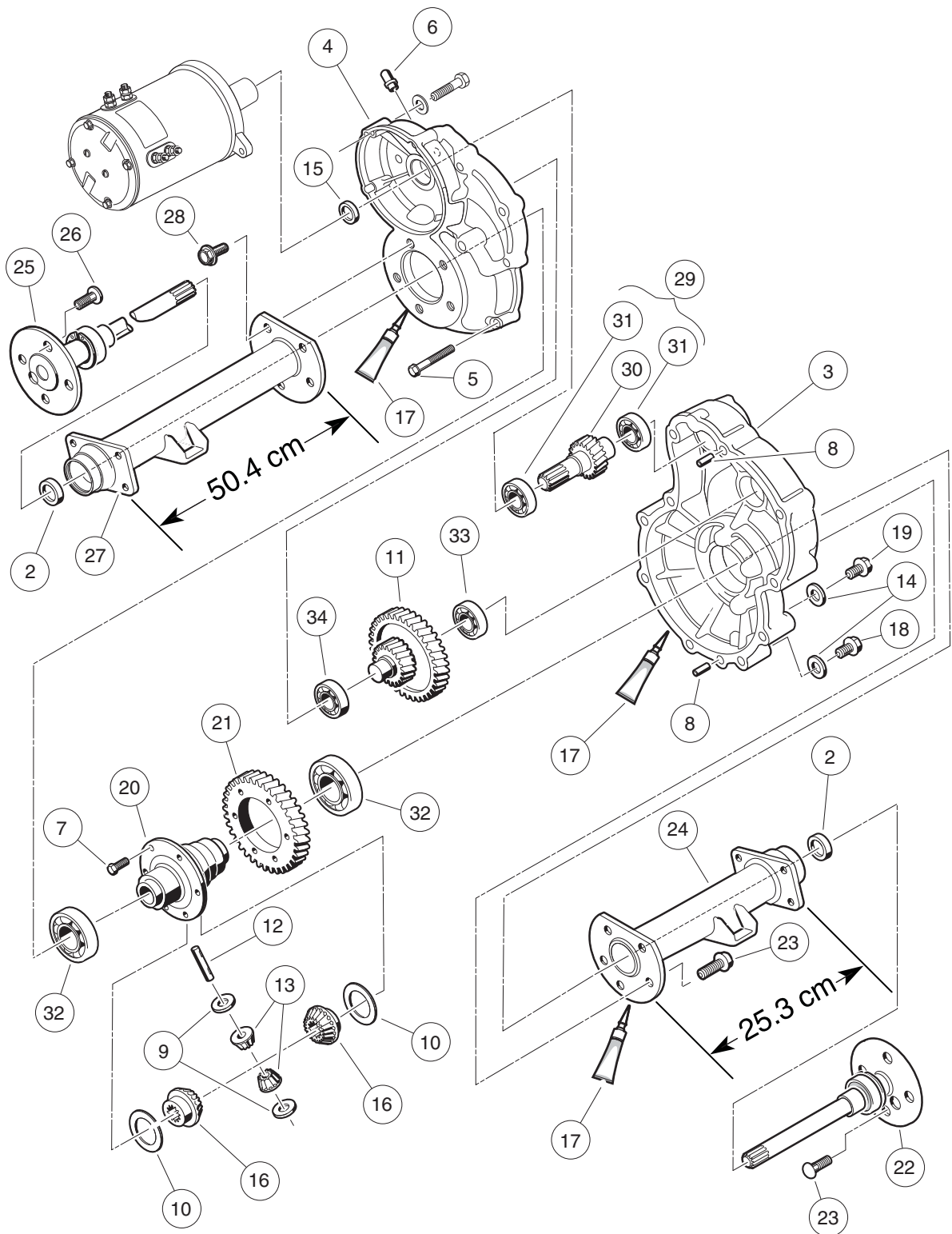
TRANSAXLE – ELECTRIC VEHICLES

16

E

16

E



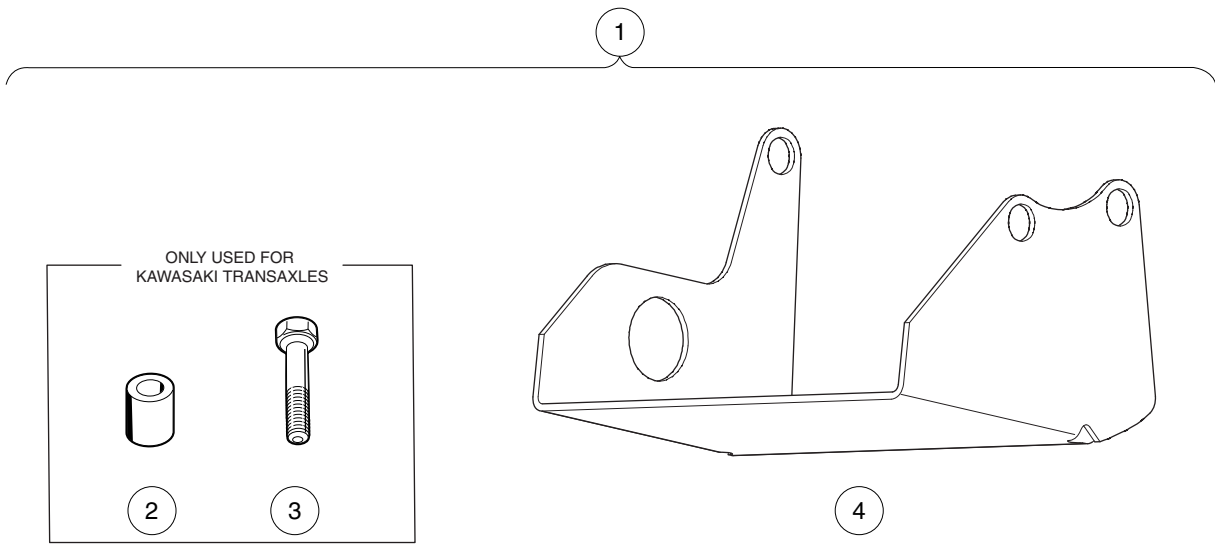
000223-005

TRANSAXLE – ELECTRIC VEHICLES

ITEM	PART NO.	DESCRIPTION	QTY
		1 2 3 4	
1	102771701	Transaxle, Electric (includes items 2 through 34)	1
2	1013794	Axle Shaft Oil Seal	2
3	101895401	Gear Case, Driver-Side	1
4	101895501	Gear Case, Passenger-Side	1
5	101897001	Screw, M8-1.25 X 60mm Hex-Head	11
6	101897201	Breather	1
7	101897401	Screw, M10-1.25 X 25mm	6
8	101897601	Pin, 11mm OD X 8.5mm ID X 10mm	2
9	101903601	Washer, Thrust	2
10	101903701	Washer, Thrust	2
11	101906901	Intermediate Shaft Assembly	1
12	101922101	Pin, 15.99mm X 88.7mm Dowel	1
13	101923001	Gear, Differential Idler	2
14	101923201	Gasket	2
15	101923501	Seal, Lip	1
16	101923901	Gear, Differential	2
17	101928701	Liquid Gasket (Transaxle case)	1
18	101972101	Plug, M14-1.5 X 12mm Magnetic	1
19	101972201	Plug, M14-1.5 X 12mm Hex	1
20	102356601	Housing, Differential, 6 Bolt	6
21	102356801	Gear, Differential Output, 6-Bolt	6
22	102886301	Axle Assembly, Driver-Side (includes item 23)	1
23	101922201	Lug Stud	4
24	102886401	Tube, Axle, Driver-Side	1
25	102886501	Axle Assembly, Passenger-Side (includes item 26)	1
26	101922201	Lug Stud	4
27	102886601	Tube, Axle, Passenger-Side	1
28	102902801	Screw, M10 X 30	10
29	103582801	Asm, E Trans Shaft/bearing (includes items 30 and 31)	1
30	N/A	Shaft, Input	1
31	7335	Bearing	2
32	7330	Inner Axle Tube Bearing	2
33	7335	Bearing	1
34	7336	Bearing	1

16

E



000365-002

DIFFERENTIAL GUARD – ELECTRIC VEHICLES

ITEM	PART NO.	DESCRIPTION	QTY
		1 2 3 4	
1	101611402	Kit, Differential Guard, Elec Vehicles (includes items 2 through 4)	1
2	101914001	Spacer, Steel	2
3	101936101	Screw, M10-1.50 X 60mm Hex Cap	2
4	101978601	Guard, Differential, Electric Vehicle Transaxle	1

16

E

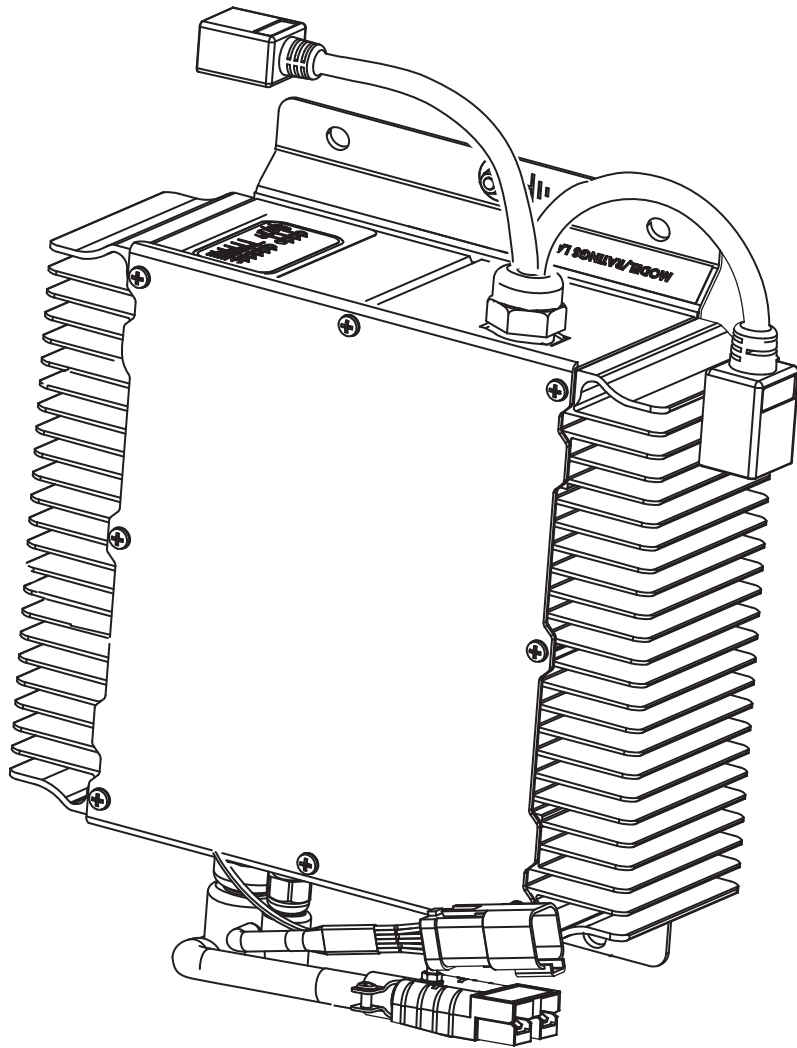
16

E

BATTERY CHARGER – DELTAQ HIGH-FREQUENCY

17

E



1

001428-001

HIGH-FREQUENCY BATTERY CHARGER – ONBOARD

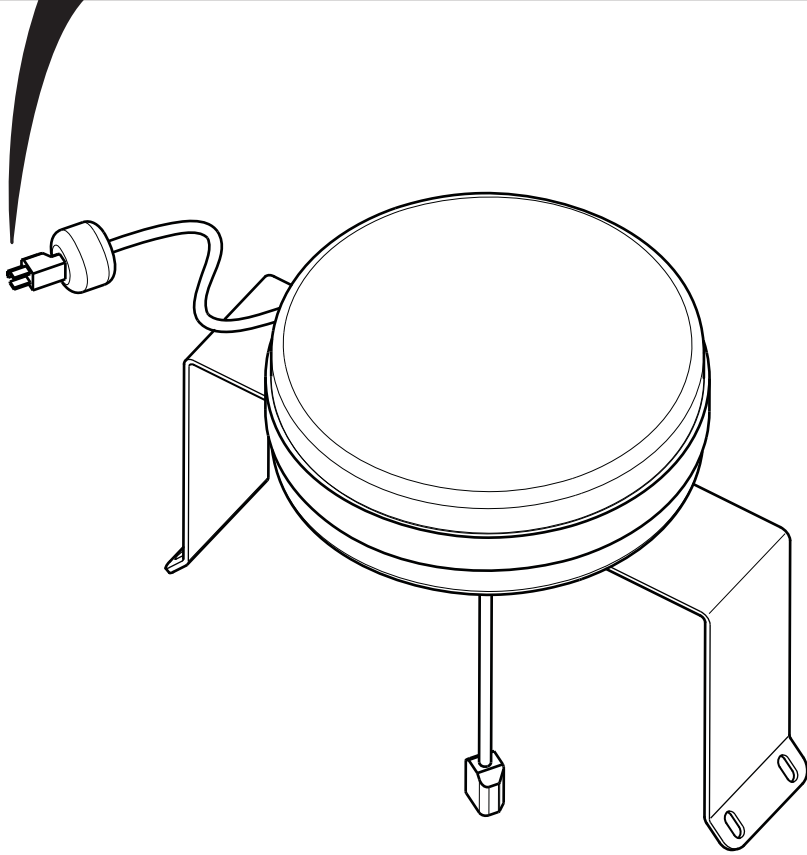
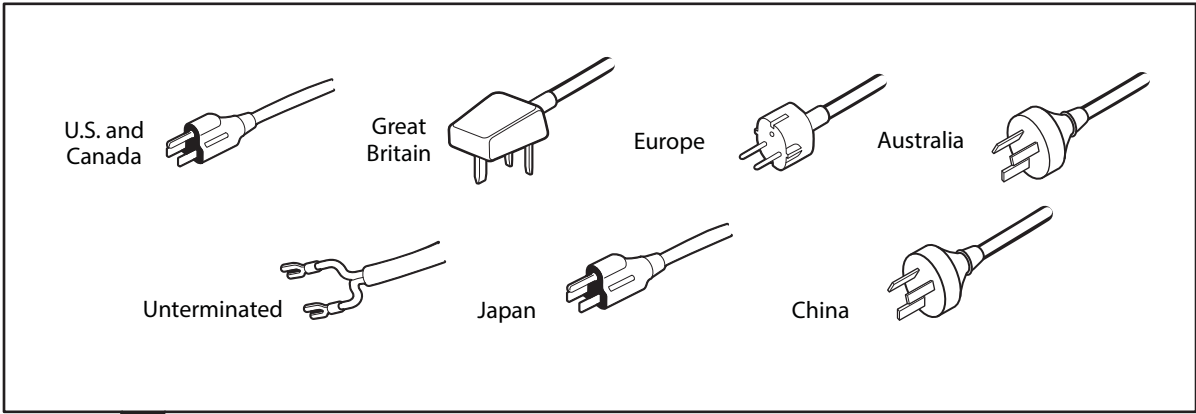
ITEM	PART NO.	DESCRIPTION	QTY
1	SVPP325510	<div style="display: flex; justify-content: space-between; margin-bottom: 5px;"> 1 2 3 4 </div> Charger, Delta Q, Sb50, Alg 11	1

17

E

17

E



- 1
- 2
- 3
- 4
- 5
- 6
- 7

001429-001

CORD REELS, ONBOARD – HIGH-FREQUENCY CHARGER

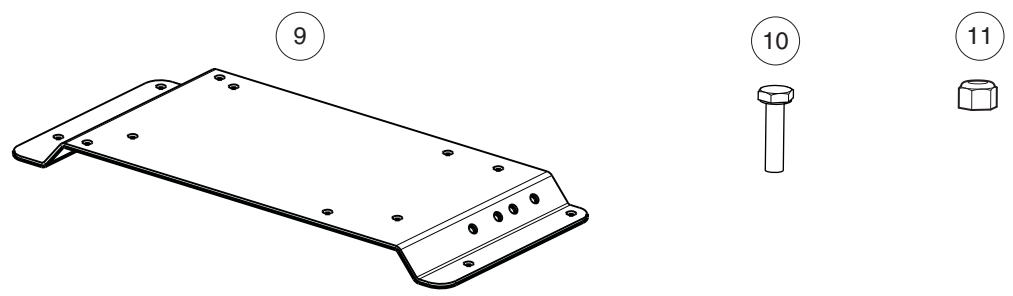
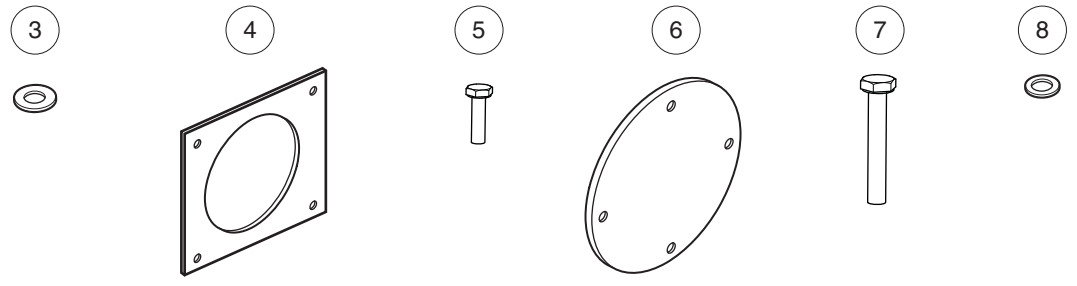
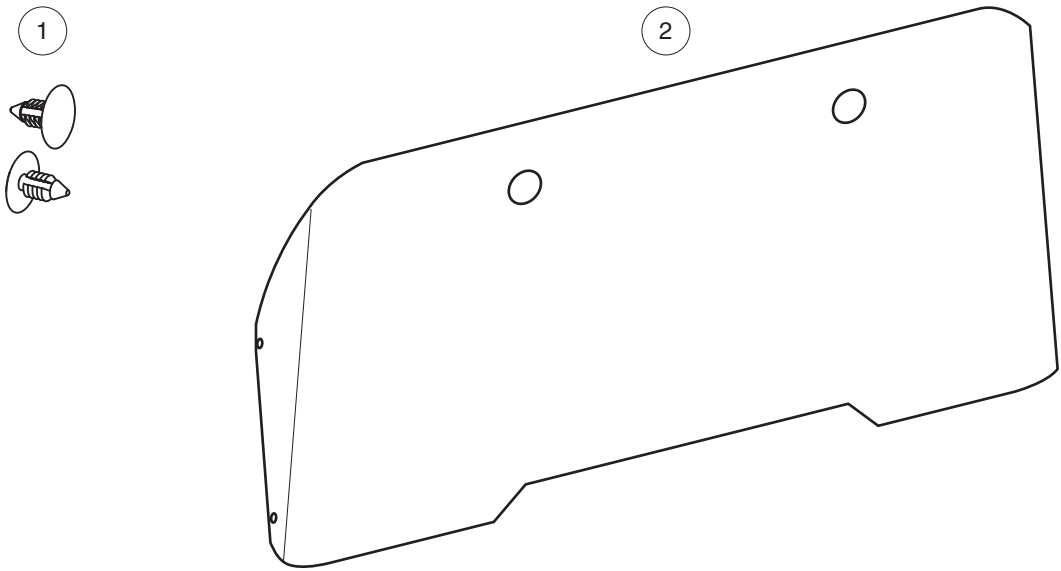
ITEM	PART NO.	DESCRIPTION	QTY
		1 2 3 4	
1	47579307001	Cord Reel, Retrct, V6/v8	1
2	47579307002	Cord Reel,retrct,v6/v8, Uk	1
3	47579307003	Cord Reel,retrct,v6/v8, Eu	1
4	47579307004	Cord Reel,retrct,v6/v8, Au	1
5	47579307005	Cord Reel,retrct,v6/v8, Unterm	1
6	47579307006	Cord Reel,retrct,v6/v8, Japan	1
7	47579307007	Cord Reel,retrct,v6/v8, China	1

17

E

17

E



001430-001

CHARGER MOUNTING – ONBOARD HIGH-FREQ.

ITEM	PART NO.	DESCRIPTION	QTY
		1 2 3 4	
1	1010434	Barrel - Plastic	4
2	1011348	Rear Panel 4 Passenger	1
3	1014306	Washer, 1/4" Type B Flat	4
4	101801001	Plate, Receptacle Backing	1
5	101832001	Screw, #7-19 X 0.625 Phillips Pan-Head Tap	4
6	103218001	Cover Plate, Receptacle	1
7	304	Screw, 1/4-20 X 1.0 Hex-Head Cap	4
8	332	Washer, 1/4 Type A Narrow Flat	12
9	47579306001	Brkt, Ob Charger, V6/v8	1
10	7847	Screw, 1/4-20 X 0.75 Hex-Head Cap	8
11	8233	Locknut, 1/4-20, Nylon Insert	12

17

E

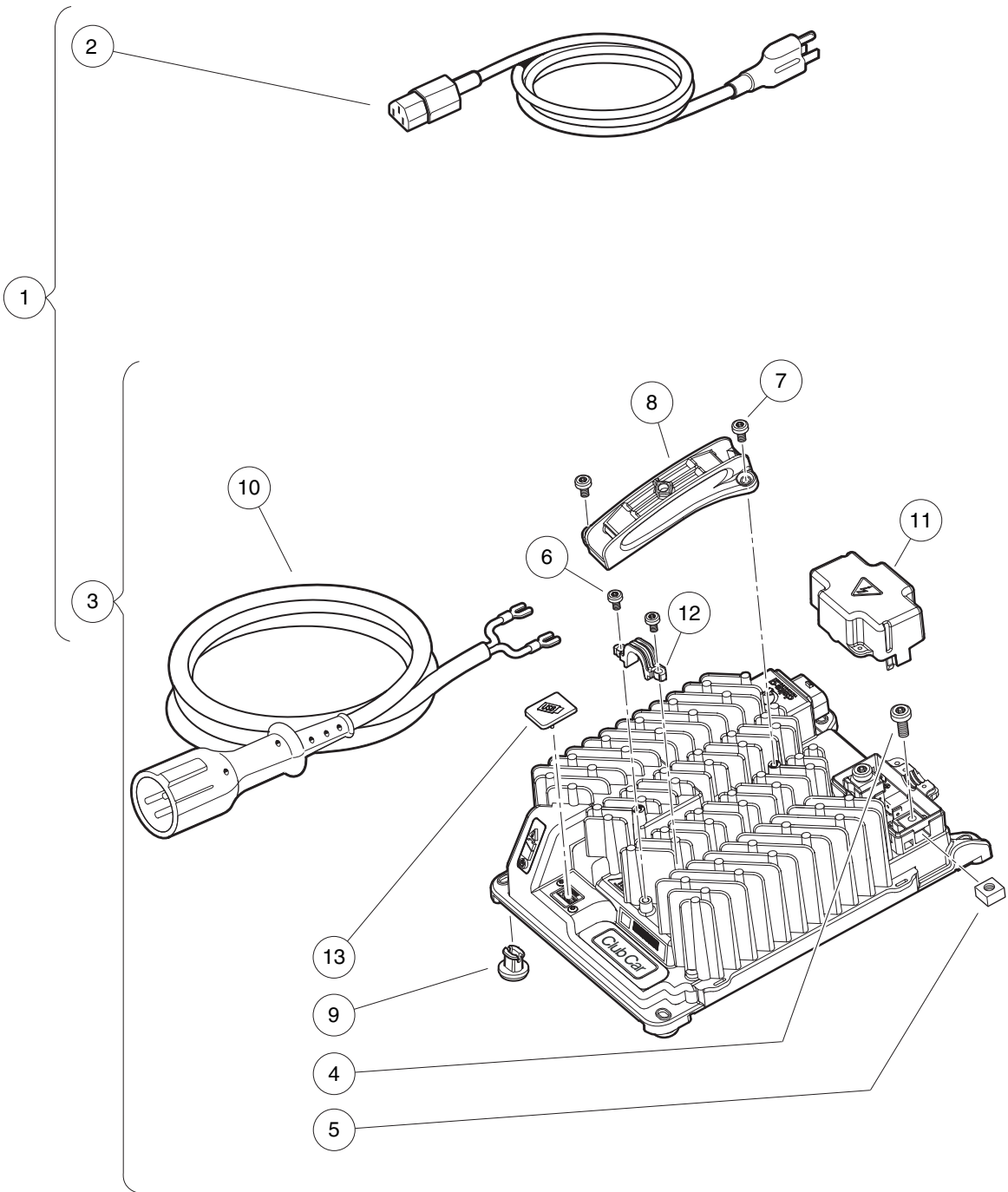
17

E

BATTERY CHARGERS – E.R.I.C.HIGH-FREQUENCY

18

E



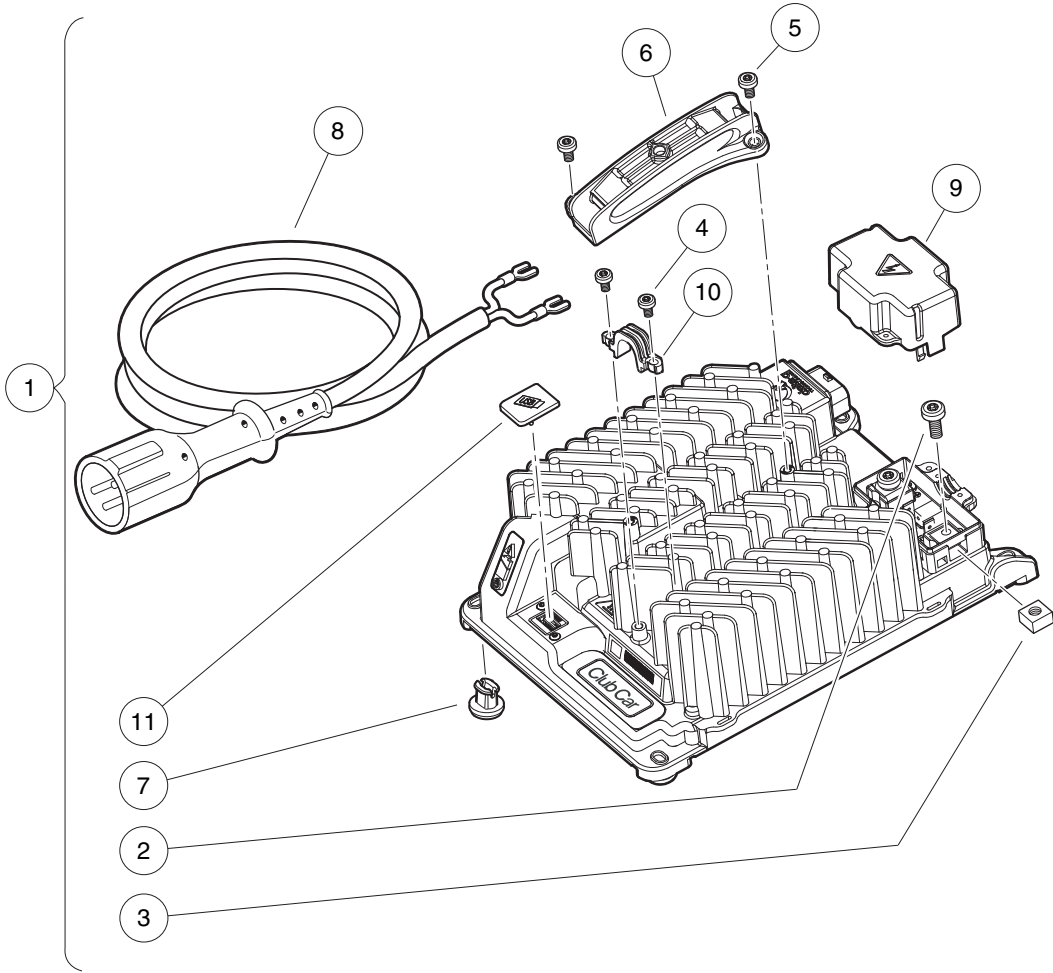
000610-002

BATTERY CHARGER, HIGH-FREQUENCY – U.S./CANADA

ITEM	PART NO.	DESCRIPTION	QTY
		1 2 3 4	
1	105095201	Charger, High-Freq, Service, 9ft Yel DC, 6ft AC, US/Canada (includes items 2 and 3)	1
2	104024201	Cord, AC, Nema To Iec320, 6ft (1.83 m), U.S./Canada	1
3	104029601	Charger, Asm, High-Freq, 9ft (2.74 m) Yellow DC Cord (includes items 4 through 13)	1
4	104024501	Screw, M6, Torx Head	2
5	104024601	Nut, M6, Square, Captured	2
6	104028901	Screw, M4 X .70, Pan Hd, Torx	2
7	104029001	Screw, M5 X .80, Pan Hd, Torx	2
8	105003601	Handle, Charger, High-Freq	1
9	105003701	Foot, Charger, High-Freq	4
10	105070101	Cord, DC, Yellow, 9ft (2.74 m)	1
11	105092301	Cover, DC Terminal Block, High-Freq Charger	1
12	105093101	Strain Relief, High-Freq, External, Charger	1
13	105123801	Cover, USB	1
<p>Note: This charger includes both an AC cord and DC cord. For additional cord lengths that may be used with this charger, see the Battery Charger Cords page.</p>			

18

E



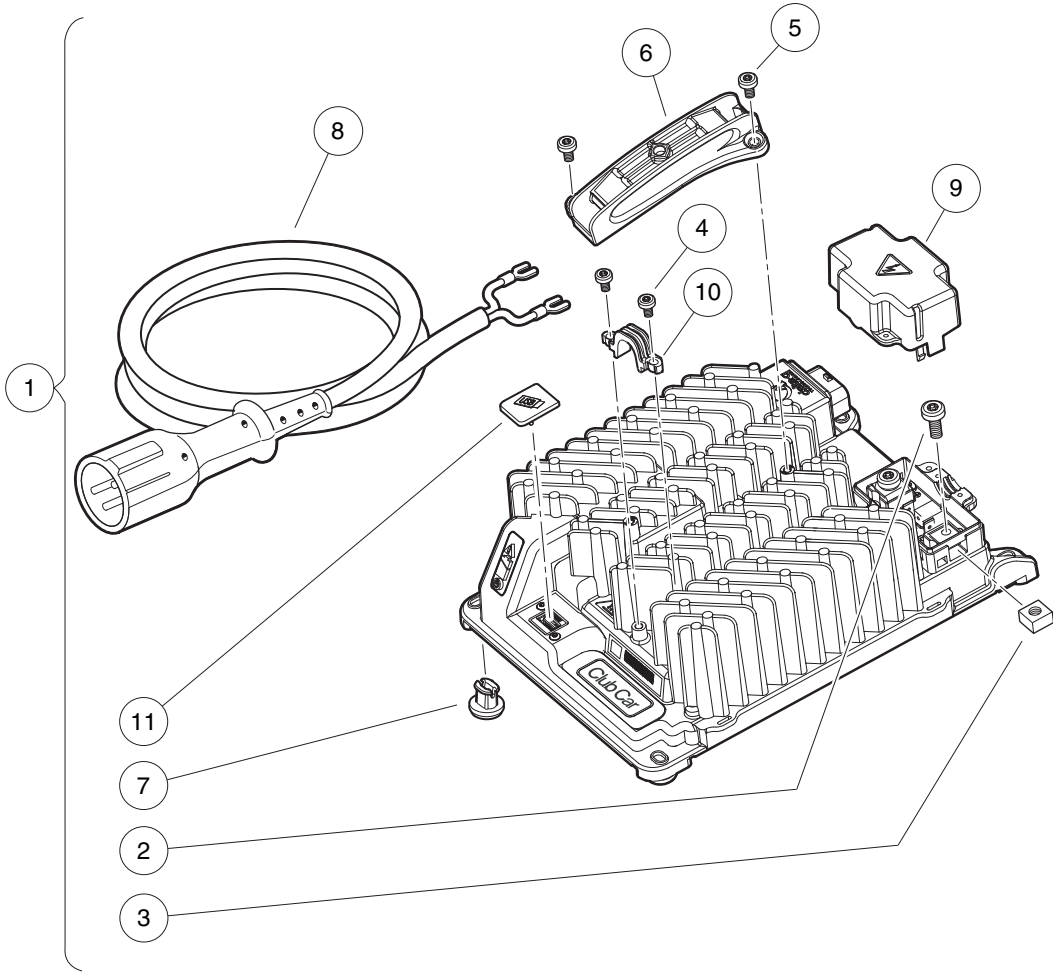
000610-003

BATTERY CHARGER, HIGH-FREQ., 2.74 M DC CORD – GLOBAL

ITEM	PART NO.	DESCRIPTION	QTY
		1 2 3 4	
1	104029601	Charger, Asm, High-Freq, 9ft (2.74 m) Yellow DC Cord (includes items 2 through 11)	1
2	104024501	Screw, M6, Torx Head	2
3	104024601	Nut, M6, Square, Captured	2
4	104028901	Screw, M4 X .70, Pan Hd, Torx	2
5	104029001	Screw, M5 X .80, Pan Hd, Torx	2
6	105003601	Handle, Charger, High-Freq	1
7	105003701	Foot, Charger, High-Freq	4
8	105070101	Cord, DC, Yellow, 9ft (2.74 m)	1
9	105092301	Cover, DC Terminal Block, High-Freq Charger	1
10	105093101	Strain Relief, High-Freq, External, Charger	1
11	105123801	Cover, USB	1
<p>Note: This charger does not include the AC cord. To complete the charger, choose the appropriate type and length of AC cord found on the Battery Charger Cords page.</p>			

18

E



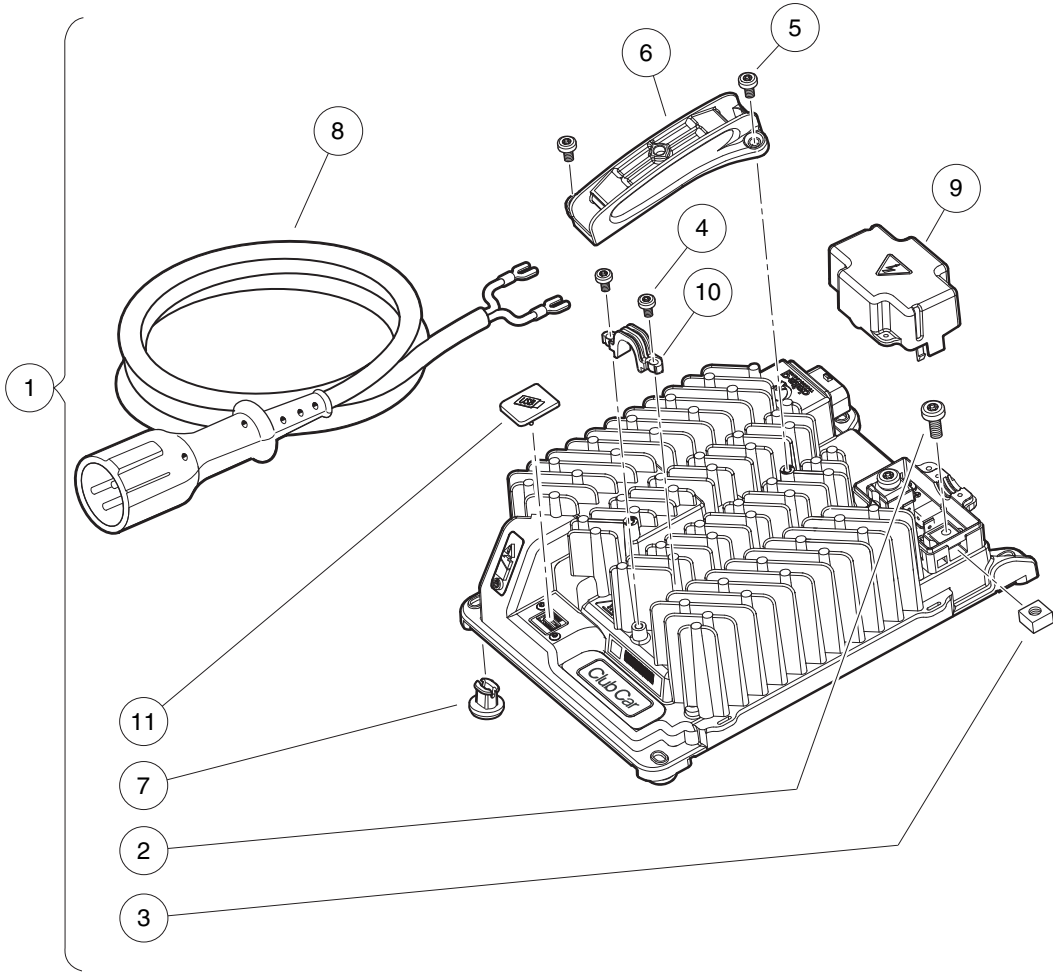
000610-003

BATTERY CHARGER, HIGH-FREQ., 3.66 M DC CORD – GLOBAL

ITEM	PART NO.	DESCRIPTION	QTY
		1 2 3 4	
1	104029602	Charger, Asm, High-Freq, 12ft (3.66 m) Yellow DC Cord (includes items 2 through 11) ..	1
2	104024501	Screw, M6, Torx Head	2
3	104024601	Nut, M6, Square, Captured	2
4	104028901	Screw, M4 X .70, Pan Hd, Torx	2
5	104029001	Screw, M5 X .80, Pan Hd, Torx	2
6	105003601	Handle, Charger, High-Freq	1
7	105003701	Foot, Charger, High-Freq	4
8	105070102	Cord, DC, Yellow, 12ft (3.66 m)	1
9	105092301	Cover, DC Terminal Block, High-Freq Charger	1
10	105093101	Strain Relief, High-Freq, External, Charger	1
11	105123801	Cover, USB	1
<p>Note: This charger does not include the AC cord. To complete the charger, choose the appropriate type and length of AC cord found on the Battery Charger Cords page.</p>			

18

E



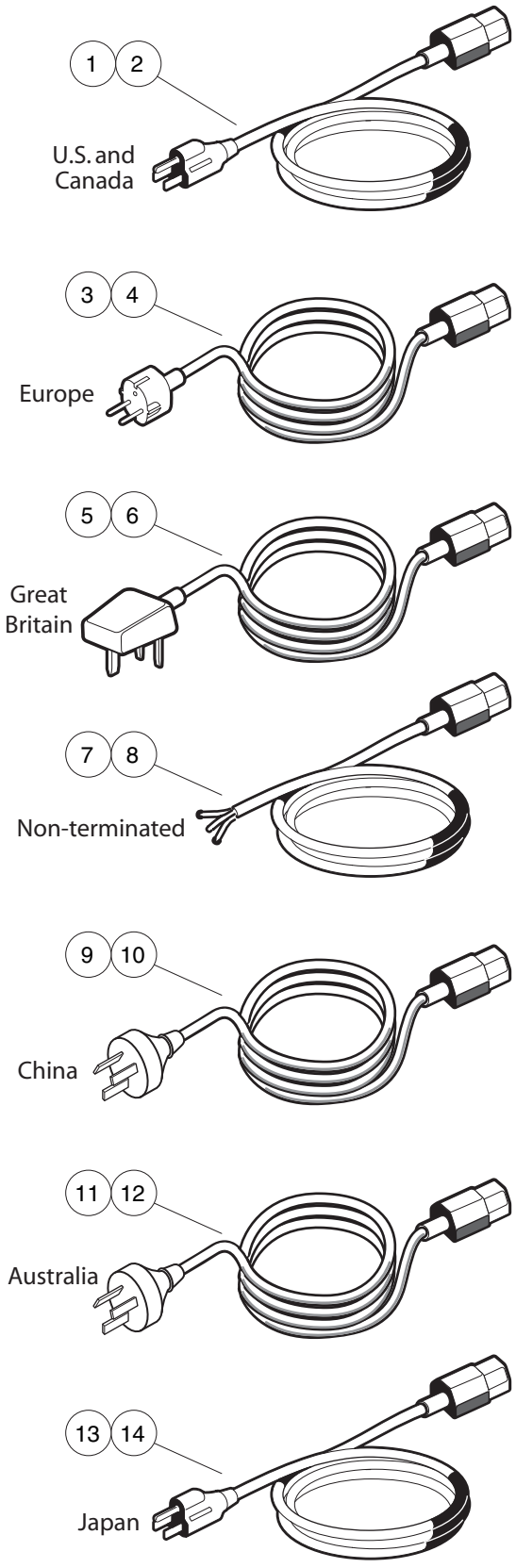
000610-003

BATTERY CHARGER, HIGH-FREQ., 6.1 M DC CORD – GLOBAL

ITEM	PART NO.	DESCRIPTION	QTY
		1 2 3 4	
1	104029603	Charger, Asm, High-Freq, 20ft (6.1 m) Yellow DC Cord (includes items 2 through 11)	1
2	104024501	Screw, M6, Torx Head	2
3	104024601	Nut, M6, Square, Captured	2
4	104028901	Screw, M4 X .70, Pan Hd, Torx	2
5	104029001	Screw, M5 X .80, Pan Hd, Torx	2
6	105003601	Handle, Charger, High-Freq	1
7	105003701	Foot, Charger, High-Freq	4
8	105070103	Cord, DC, Yellow, 20ft (6.1 m)	1
9	105092301	Cover, DC Terminal Block, High-Freq Charger	1
10	105093101	Strain Relief, High-Freq, External, Charger	1
11	105123801	Cover, USB	1
<p>Note: This charger does not include the AC cord. To complete the charger, choose the appropriate type and length of AC cord found on the Battery Charger Cords page.</p>			

18

E



002808-001

CORDS – BATTERY CHARGER, HIGH-FREQUENCY

ITEM	PART NO.	DESCRIPTION	QTY
		1 2 3 4	
1	104024201	Cord, AC, Nema To lec320, 6ft (1.83 m), U.S./Canada	1
2	104024202	Cord, AC, Nema To lec320, 9ft (2.74 m), U.S./Canada	1
3	104024401	Cord, AC, lec320, 6ft (1.83 m), Europe	1
4	104024402	Cord, AC, lec320, 9ft (2.74 m), Europe	1
5	104028501	Cord, AC, lec320, 6ft (1.83 m), Great Britain	1
6	104028502	Cord, AC, lec320, 9ft (2.74 m), Great Britain	1
7	104028601	Cord, AC, lec320, 6ft (1.83 m), Non-terminated	1
8	104028602	Cord, AC, lec320, 9ft (2.74 m), Non-terminated	1
9	105068201	Cord, AC, lec320, 6ft (1.83 m), China	1
10	105068202	Cord, AC, lec320, 9ft (2.74 m), China	1
11	105068301	Cord, AC, lec320, 6ft (1.83 m), Australia	1
12	105068302	Cord, AC, lec320, 9ft (2.74 m), Australia	1
13	105068401	Cord, AC, lec320, 6ft (1.83 m), Japan	1
14	105068402	Cord, AC, lec320, 9ft (2.74 m), Japan	1

18

E

INDEX

Part Number and Page

AM10419	12-11	7716	5-3	1011280	4-5, 4-7
AM10622	1-51	7818	7-11, 7-13	1011348	17-7
AM10639	1-17	7820	4-23, 4-25	1011382	4-13, 4-17
AM1205602	1-51	7847	1-19, 1-43, 17-7	1011402	5-3
AM1213901	1-9	7893	4-5, 4-9, 4-11, 4-21, 7-11, 7-13	1011415	6-23
AM1225001	1-5	7973	1-13	1011418	5-3
AM1300001	14-21	8056	7-17, 7-23	1011439	4-5, 4-7
AM1300101	14-21	8057	7-13, 7-15, 7-17, 7-21, 7-23	1011497	4-29
AM1300201	14-21	8058	7-13, 7-15, 7-17, 7-21, 7-23	1011522	1-41
AM1300301	14-21	8067	6-15	1011546	1-41
SVP147801	3-3, 3-5	8104	4-9, 4-11	1011553	1-41, 1-57, 3-3, 3-5
SVP370901	1-53	8233	1-11, 1-31, 1-33, 1-35, 1-37, 1-43, 1-45, 1-47, 4-23, 4-25, 4-27, 5-5, 5-7, 6-27, 10-13, 13-3, 13-19, 17-7	1011557	4-5, 4-7, 4-29
SVPP230201	1-31	8248	13-3	1011558	4-29
SVPP230901	1-31	8251	1-45, 1-47	1011578	1-3, 1-53, 6-7
SVPP230902	1-31	8294	4-23, 4-25	1011582	4-29
SVPP230903	1-31	8450	12-7, 12-9	1011590	4-9
SVPP230904	1-31	8639	7-11, 7-13	1011652	1-27
SVPP234001	1-31	8717	5-5, 5-7, 7-11, 7-13, 13-3, 13-5	1011694	5-5, 5-7
SVPP285901	1-31	8754	1-29, 5-5, 5-7, 6-5, 6-7, 6-17, 6-19, 6-21, 6-25, 7-9	1011697	1-51, 1-53, 6-7, 6-13, 14-13, 14-15, 14-17
SVPP325510	17-3	8755	6-19, 6-25	1011734	5-7
183	4-5, 4-7, 4-9, 4-11, 4-21, 12-7, 12-9, 14-5	8861	6-17, 6-27	1011779	5-11
304	1-25, 1-33, 1-35, 4-23, 4-25, 17-7	8935	1-3	1011825	4-23, 4-25
320	1-29	8963	1-33, 1-35, 1-51	1011843	4-29
324	1-37	8990	4-9, 4-11, 4-19, 4-27, 6-5, 13-7, 13-9, 13-11, 13-13	1011852	1-33, 1-35
332	1-11, 1-25, 1-27, 1-31, 1-33, 1-35, 1-37, 1-43, 1-45, 1-47, 4-23, 4-25, 14-5, 17-7	1010124	6-21	1011857	6-27
334	5-5, 5-7, 6-5, 6-7, 12-7, 12-9	1010138	6-17	101187702	5-3
357	1-41, 6-21, 6-27	1010145	6-23	1011897	1-21
451	15-3	1010150	6-19	1011931	1-53, 5-5, 5-7
706	1-41, 6-21	1010237	1-25, 1-33, 1-35	1011942	1-33, 1-35
808	1-41, 6-27	1010434	1-7, 1-49, 17-7	1011964	1-25, 1-33, 1-35
1016	4-5, 4-9, 4-11, 4-21, 14-5	1010517	1-25, 1-33, 1-35	1011988	1-31
1017	4-3, 14-5	1010577	1-31, 8-5, 9-5	1011990	1-29
1028	5-3	1010805	5-3	1012008	1-33, 1-35
1032	5-3	1010829	5-11	1012285	4-27, 14-5
1218	1-41, 6-3, 10-15	1010877	5-3	1012295	7-11, 7-13
1241	1-11, 1-31, 1-33, 1-35, 4-5, 4-7, 5-3, 5-5, 5-7, 5-11, 6-3, 7-11, 7-13, 7-25, 8-5, 9-5, 10-15	1010878	5-3	1012303	6-21, 6-25
1242	4-19, 5-11, 7-9, 7-11, 7-13	101090802	14-13, 14-15, 14-17	1012396	4-13
1606	1-11, 7-25	1010909	4-5, 4-21	1012412	1-45, 1-47
1620	4-3	1010921	5-3	1012431	7-13, 7-15, 7-17
1624	1-41, 5-5, 5-7, 6-5, 7-9	1010927	5-3	1012438	4-7, 14-5
2402	6-19	1010932	5-3	1012462	1-37
4029	4-23, 4-25	1010933	5-3	1012505	4-13, 4-17
7048	6-15	1010934	1-51, 7-25	1012528	11-3, 14-5
7173	1-11, 4-5, 4-7, 6-27, 7-25	1010954	7-11, 7-13	1012594	7-15, 7-17
7174	6-9, 6-27, 7-9, 11-3, 14-5	1010958	14-13, 14-15, 14-17	1012604	6-7
7311	1-31, 1-33, 1-35, 6-27	1010984	2-3	1012605	6-7
7330	16-3	1010993	1-45, 1-47	1012649	10-7
7335	16-3	1011084	5-7	1012836	12-11
7336	16-3	1011098	1-51	1012987	13-3
7473	1-3, 1-31, 1-33, 1-35, 1-41, 1-51, 4-5, 4-7, 5-3, 5-5, 5-7, 5-11, 6-3, 6-27, 7-11, 7-13, 7-25, 10-15	1011114	10-13, 13-19	101303202	1-45, 1-47
7591	4-5, 4-7, 4-29, 8-11, 9-9	1011137	5-15	1013035	6-5
		1011229	4-5, 4-7	1013042	6-5, 6-11
				1013044	6-5
				1013052	6-5
				1013095	1-49

INDEX

1013099	1-49	1014530	4-23, 4-25	1016389	6-19
1013102	1-49	1014540	4-27	1016423	4-5, 4-7
1013343	1-13	1014555	6-25	1016630	4-13
1013344	1-13	1014727	7-15, 7-17	1016801	12-7, 12-9
1013351	1-49	1014789	7-3	1016811	1-19
1013357	4-5, 4-7	1014807	7-13, 7-15, 7-17, 7-21, 7-23	1016813	6-27
1013494	4-13, 4-17	1014808	7-13, 7-21, 7-23	1016814	6-27
1013509	1-37	1014902	6-25	1016849	4-13, 4-17
1013531	5-11	1014947	14-5	1016851	4-13, 4-17
1013547	4-27	1015059	1-31	1016879	4-3
1013579	4-27	1015064	13-3	1016880	4-3
1013589	7-11, 7-13	1015072	1-31, 14-13, 14-15, 14-17	1016901	12-7
1013591	13-3	1015077	1-31	1016916	1-27
1013609	7-11, 7-13	1015091	1-25, 1-33, 1-35, 1-53	1016952	1-19, 1-45, 1-47
1013677	3-3	1015137	10-7	1016967	6-13
1013683	14-13, 14-15, 14-17	1015332	7-3	1017029	5-3
1013746	10-7	1015373	7-11, 7-13	1017035	4-29
1013794	16-3	1015405	7-11, 7-13	1017062	4-3
1013832	6-21	1015453	6-27	1017064	4-3
1013869	5-3	1015457	6-27	1017065	4-3
1013870	5-3	101547601	3-5	101707402	4-9
1013876	5-3	1015528	4-13, 4-17	101707405	4-11
1013884	1-25	101553901	3-3, 3-5	1017075	4-9, 4-11
1013924	5-13, 5-15, 8-5, 9-5	1015583	6-25	101708301	1-19
1014007	5-5, 5-7, 10-13, 13-5, 13-19	101558302	6-21	1017141	1-45, 1-47
1014051	12-9	1015597	6-15	1017145	12-11
1014055	12-7, 12-9	1015608	1-3	1017226	6-9
1014056	12-7, 12-9	1015613	6-27	1017266	6-19
1014057	12-7, 12-9	1015614	6-27	1017271	1-25
1014058	12-7, 12-9	1015737	7-11, 7-13	1017273	6-13
1014059	12-7, 12-9	1015741	4-5, 4-7, 7-11, 7-13	1017313	6-7
1014062	12-7, 12-9	1015752	7-11, 7-13	1017314	6-7
1014063	12-7, 12-9, 14-5	1015760	6-27	1017315	6-7
1014065	7-11, 7-13, 12-7, 12-9	1015878	7-13, 7-21, 7-23	1017317	6-7
1014072	12-11	1015932	7-9	1017378	5-5, 5-7
1014078	12-11	1015969	8-9, 9-7	1017380	5-5, 5-7
1014080	12-11	101609401	1-53	1017424	5-5, 5-7
1014116	10-3	1016103	8-11, 9-9	1017686	12-11
1014125	6-7	101611402	16-5	1017699	4-29
1014126	6-7	1016183	6-7	1017721	4-5, 4-21
1014145	7-11, 7-13, 13-3	1016201	12-7, 12-9	1017724	4-9, 4-11
1014201	15-3	1016269	6-7	1017760	1-51
1014213	6-7	1016289	12-7, 12-9	1017774	1-31
1014214	6-7	1016346	6-19	1017853	4-5, 4-7
1014217	6-7	1016349	6-19	101791101	5-13
1014276	6-21	1016350	6-19	1017936	1-43
1014287	12-7, 12-9	1016351	6-19	101795701	14-13, 14-15, 14-17
1014288	6-7, 7-25, 12-7, 12-9	1016353	6-19	101795705	14-5, 14-7
1014289	7-5, 7-7	1016356	4-5, 4-7, 14-5	101796201	5-5, 5-7
1014304	14-13, 14-15, 14-17	1016363	4-7, 14-5	101801001	14-11, 17-7
1014306	1-45, 1-47, 4-27, 17-7	1016365	4-19	101804301	4-13
1014375	7-25	1016366	4-7, 14-5	101806901	1-47
1014435	1-21	1016384	6-19	101815501	5-13, 5-15
101444101	1-21	1016385	6-21	101815502	5-13, 5-15
1014453	12-7, 12-9	1016386	6-19	101816501	5-13, 5-15
1014454	12-11	1016387	6-19, 6-21	101816502	5-13, 5-15

INDEX

101817401	5-5, 5-7	101908601	3-3	101998006	1-27
101818801	5-7	101910401	1-31	101998007	1-27
101823201	5-13, 5-15	101912401	5-7	101998008	1-27
101823801	5-13, 5-15	101914001	16-5	101998501	1-27
101823901	5-13, 5-15	101914401	4-5	102004101	6-9
101824101	8-11, 9-9	101915201	3-5	102004201	6-25
101825101	3-3, 3-5	101918501	5-3, 5-5, 5-7	102004401	1-7
101826201	4-17	101919801	5-5, 5-7	102005701	1-23
101826301	4-13	101920101	15-3	102022601	6-11
101830601	4-13, 4-17	101922101	16-3	102022602	6-5, 6-11
101830701	4-13, 4-17	101922201	16-3	102025701	5-9
101832001	14-11, 17-7	101922501	14-9	102025801	1-11, 10-5, 10-7
101833401	12-11	101923001	16-3	102026001	5-5, 5-7
101834502	4-13, 4-17	101923201	16-3	102045001	1-11
101834602	8-5, 9-5	101923501	16-3	102046501	3-7
101835601	4-19	101923901	16-3	102048401	1-11
101837001	1-45	101926501	6-25	102059501	13-15, 13-17
101841201	1-31	101928701	16-3	102066201	6-25
101841202	1-31	101929401	6-25	102075801	3-3, 3-5
101841301	1-31	101931501	3-3, 14-5	102076701	1-51
101851101	4-13, 4-17	101932201	4-5, 4-7	102076702	1-25, 1-33, 1-35
101856002	4-17	101936101	16-5	102155801	12-11
101856102	7-11, 7-13	101942301	15-3	102158901	5-5, 5-7
101861901	5-5, 5-7	101953101	5-11	102162601	5-11
101862001	5-5	101954301	1-11, 1-27	102163001	1-23
101878201	5-3	101955101	4-23, 4-25	102163101	1-23
101879401	6-5	101957101	4-5, 4-7	102166901	5-11
101879501	6-5	101960501	1-47, 3-5	102186001	15-3
101879601	6-5	101960601	3-3, 3-5	102186101	15-3
101879701	6-5	101963401	7-19, 8-5, 9-5	102186201	15-3
101879801	6-5	101965206	14-5	102186401	15-3
101879901	6-5	101968701	14-5, 14-7	102186701	15-3
101880001	6-5	101969701	4-23	102186901	15-3
101880101	6-5	101972001	1-51, 1-53	102187101	15-3
101880201	6-5	101972101	16-3	102187201	15-3
101880301	6-5	101972201	16-3	102196901	4-17, 14-7
101881501	4-27	101978001	14-5, 14-7	102198701	4-5
101881601	4-27	101978102	14-5, 14-7	102199001	4-5
101884801	8-5, 9-5	101978202	14-5, 14-7	102199201	4-5
101886101	10-13, 13-19	101978601	16-5	102199301	4-5
101895401	16-3	101979101	7-15, 7-17	102199401	4-5
101895501	16-3	101984801	6-7	102199601	14-5, 14-7
101897001	16-3	101985502	1-27	102235201	15-3
101897201	16-3	101987602	1-27	102238001	14-5
101897401	16-3	101987701	10-7	102240501	14-5
101897601	16-3	101987901	4-3	102242101	8-5, 9-5, 12-11
101898001	7-25	101988001	4-3	102242401	1-25, 1-33, 1-35
101898101	7-25	101988002	4-3	102243101	14-5
101900801	5-11	101988101	4-3	102243403	15-3
101903001	14-5, 14-7	101988201	4-3	102263601	14-7
101903101	6-19	101990801	5-11	102269701	7-19
101903601	16-3	101997802	4-27	102274101	13-31
101903701	16-3	101997803	4-27	102278001	6-7
101906901	16-3	101997902	4-27	102278802	1-53
101908101	14-9	101997903	4-27	102289002	1-3
101908401	14-9	101998004	1-27	102289201	6-5, 6-11

INDEX

102292801	5-11	102617201	8-5, 9-5, 11-3	103245301	1-53
102296020	6-13	102617801	13-31	103255601	4-5
102296530	1-27, 1-31	102618601	1-3, 1-31	103255701	4-7
102297230	14-3	102621501	13-5, 13-15, 13-17	103256901	4-5
102298116	8-11, 9-9	102704701	15-3	103257001	4-7
102298240	1-3	102704801	15-3	103257603	4-15
102298720	1-3, 1-53	102704901	15-3	103257701	4-15
102323101	5-11	102711201	7-11, 7-13	103257801	4-15
102323201	5-11	102725501	10-15	103306301	10-3
102324901	1-31	102732401	8-5, 9-5	103313301	1-11
102353201	6-15	102771701	16-3	103316701	14-5
102353301	6-15	102778501	1-7	103316801	14-5
102354901	4-19	102778502	1-7	103316901	14-5
102355001	4-19	102778503	1-7	103347101	7-5, 7-7
102355102	1-29	102778504	1-7	103347301	7-5, 7-7
102355301	7-25	102778505	1-7	103347601	7-5, 7-7
102356601	16-3	102778507	1-7	103347701	7-5, 7-7
102356801	16-3	102778509	1-7	103347801	7-5, 7-7
102357501	4-19	102778601	1-11	103347901	7-5, 7-7
102357701	6-15	102828701	1-53	103348201	4-13
102376001	13-5	102829701	1-29	103348202	4-15, 4-17
102410604	8-11, 9-9, 10-13	102829702	1-29	103348501	4-13
102411203	10-3	102829801	1-29	103348601	4-13
102411209	10-15	102830401	6-21	103351001	6-17
102476401	10-13, 13-19	102830501	1-3	103351101	6-23
102490301	10-13	102838701	7-5, 7-7	103354401	4-15, 4-17
102491501	12-7, 12-9	102838801	7-5, 7-7	103354701	6-11
102498201	10-13, 13-15, 13-17, 13-19	102838901	7-5, 7-7	103364101	1-11
102503211	1-31	102839001	7-5, 7-7	103364201	1-11
102503212	1-31	102839301	7-5, 7-7	103364801	6-27
102503214	1-31	102841101	7-5, 7-7	103365401	1-45
102503215	1-31	102844601	7-5, 7-7	103365402	1-45
102503221	1-27	102844701	7-5, 7-7	103365403	1-45
102503222	1-27	102852801	1-39	103365404	1-45
102503224	1-27	102854301	1-25, 1-33, 1-35	103365405	1-45
102503225	1-27	102854302	1-25, 1-33, 1-35	103365407	1-45
102508701	4-17	102865101	10-7	103365409	1-45
102517501	4-11	102865901	14-5	103365501	1-47
102517601	4-25	102869401	4-5, 4-7, 4-13, 4-17	103365502	1-47
102526201	13-3, 13-5	102871801	6-25	103365503	1-47
102529201	4-9, 4-11	102886301	16-3	103365504	1-47
102529203	4-25	102886401	16-3	103365505	1-47
102537802	6-13	102886501	16-3	103365507	1-47
102538101	3-5	102886601	16-3	103365509	1-47
102538201	3-3	102902801	16-3	103372101	10-3
102540301	8-5, 9-5	102915601	4-29	103372401	10-7
102540802	6-13	102958001	14-19	103378301	1-31
102541402	8-11, 9-9	102977001	4-13	103378302	1-31
102541425	1-31	102977002	4-17	103380201	5-13, 5-15
102541445	1-31	103180101	4-13, 4-17	103380202	5-13, 5-15
102541465	1-31	103196202	9-5	103389101	3-7
102541501	1-31	103198301	4-17	103389201	3-7
102546401	4-11	103199001	4-13	103389301	3-7
102558201	8-3, 9-3, 10-15	103199101	4-13	103389401	3-7
102572401	4-17, 14-7	103218001	17-7	103395101	1-11
102582401	1-31	103218601	4-17, 14-7	103395505	14-19

INDEX

103397901	4-7	103878401	14-13	104029001	18-3, 18-5, 18-7, 18-9
103405401	1-7	103879701	13-23	104029601	18-3, 18-5
103405402	1-7	103879702	13-21	104029602	18-7
103405501	6-13	103882801	9-5	104029603	18-9
103407601	1-39	103882802	8-5	105000301	7-11, 7-13
103410401	1-35	103886601	13-7, 13-9, 13-11, 13-13	105000401	7-11, 7-13
103410501	1-33	103888101	1-23	105003601	18-3, 18-5, 18-7, 18-9
103411001	1-33, 1-35	103888301	1-23	105003701	18-3, 18-5, 18-7, 18-9
103411101	1-25, 1-33, 1-35	103902101	14-3	105007402	10-13
103411201	1-25, 1-33, 1-35	103902301	14-3	105007403	10-13
103411501	1-3	103902401	14-3	105008101	7-3
103413101	1-3	103905201	10-3	105009101	10-15
103414901	4-7	103924801	7-3	105010001	8-21, 9-19
103477901	6-15	103930201	14-15	105010101	8-17, 9-15
103483101	5-13, 5-15	103939201	1-15	105010201	8-17, 9-15
103483102	5-13, 5-15	103943401	14-3	105010301	8-17, 9-15
103483201	5-13, 5-15	103944301	10-3	105010401	8-21, 9-19
103483401	5-13, 5-15	103951501	13-31	105010501	8-21, 9-19
103483601	5-13, 5-15	103953301	7-5, 7-7	105010601	8-21, 9-19
103483701	5-13, 5-15	103973901	12-9	105010701	8-21, 9-19
103496801	7-25	103973902	12-7	105010801	8-17, 9-15
103502601	6-21	103974002	12-11	105010901	8-17, 9-15, 10-11
103504301	14-13, 14-15, 14-17	103974102	12-3	105011001	8-21, 9-19
103507001	6-21	103974201	12-7, 12-9	105011101	8-21, 9-19
103508101	8-5	103974401	12-7, 12-9	105011201	8-21, 9-19
103510602	14-19	103975301	12-11	105011301	8-21, 9-19
103572501	15-3	103976101	12-7, 12-9	105011401	8-21, 9-19
103582801	16-3	103978001	10-13	105011501	8-21, 9-19
103601501	6-5	103979301	13-31	105011601	8-21, 9-19
103618001	4-11	103979401	8-5, 9-5	105011701	8-21, 9-19
103618101	4-25	103982201	8-5, 9-5	105011801	8-21, 9-19
103628701	6-21	103982301	14-5	105011901	8-17, 9-15
103653401	6-5	103983501	10-11	105012001	8-17, 9-15
103653501	6-5, 6-11	103984601	12-7, 12-9	105012101	8-17, 9-15
103653601	6-11	103989501	13-31	105012201	8-17, 9-15
103667104	6-15	103995001	13-31	105012301	8-17, 9-15
103667204	6-15	103995901	8-9, 9-7	105012401	9-15
103667302	6-15	103996201	9-5	105012501	8-21, 9-19
103667402	6-15	104005301	7-9	105012601	8-9, 8-15, 8-17, 9-7, 9-13, 9-15
103677101	1-23	104005901	14-21	105012701	8-23, 9-21
103695801	14-15	104006101	14-21	105012801	8-23, 9-21
103696801	14-13, 14-15, 14-17	104021701	13-31	105012901	8-23, 9-21
103698701	4-7	104023501	10-13, 13-19	105013001	8-23, 9-21
103700301	4-19	104024201	18-3, 18-11	105013101	8-23, 9-21
103719701	14-13	104024202	18-11	105013201	8-23, 9-21
103754901	1-23	104024401	18-11	105013301	8-23, 9-21
103756401	10-7	104024402	18-11	105013401	8-23, 9-21
103765601	14-17	104024501	18-3, 18-5, 18-7, 18-9	105013501	8-23, 9-21
103774701	14-19	104024601	18-3, 18-5, 18-7, 18-9	105013601	8-23, 9-21
103787302	1-33, 1-35	104025101	12-11	105013701	8-23, 9-21
103793001	14-17	104027101	13-31	105013801	8-23, 9-21
103795503	1-33, 1-35	104028501	18-11	105013901	8-23, 9-21
103795504	1-25	104028502	18-11	105014001	8-23, 9-21
103804003	1-33	104028601	18-11	105014101	8-23, 9-21
103804004	1-35	104028602	18-11	105014201	8-19, 9-17
103865101	5-5, 5-7	104028901	18-3, 18-5, 18-7, 18-9	105014301	8-19, 9-17

INDEX

105014401	8-19, 9-17	105026501	13-21, 13-23	105038808	13-7
105014501	8-19, 9-17	105026601	13-21, 13-23	105039801	13-3, 13-5
105014601	8-19, 9-17	105026701	13-21, 13-23	105039901	13-5
105014701	8-19, 9-17	105026801	13-21, 13-23	105040401	13-3, 13-5
105014801	8-19, 9-17	105026901	13-21, 13-23	105040402	13-5
105014901	8-19, 9-17	105027001	13-21, 13-23	105040901	13-15
105015001	8-19, 9-17	105027101	13-21, 13-23	105041201	13-3
105015101	8-19, 9-17	105027201	13-21, 13-23	105043001	10-15
105015201	8-19, 9-17	105027301	13-21, 13-23	105043401	10-5
105015301	8-19, 9-17	105027401	13-25	105043501	10-3
105015401	8-19, 9-17	105027501	13-25	105043801	10-5
105015501	8-19, 9-17	105027601	13-25	105043901	10-5
105015601	8-19, 9-17	105027701	13-25	105044901	10-7
105015701	8-19, 9-17	105027801	13-25	105060601	13-5
105015801	8-19, 9-17	105027901	13-25	105063501	13-21
105015901	8-19, 9-17	105028001	13-25	105063601	13-27
105016001	8-13, 8-19, 9-11, 9-17	105028101	13-27, 13-29	105066001	13-27, 13-29
105016101	10-11	105028201	13-25	105066101	13-27, 13-29
105016201	10-11	105028301	13-21, 13-23	105068201	18-11
105016301	10-11	105028401	13-25	105068202	18-11
105016401	10-11	105028501	13-21, 13-23	105068301	18-11
105016501	10-11	105028601	13-25	105068302	18-11
105016701	8-9, 9-7	105028701	13-25	105068401	18-11
105016801	8-9, 9-7	105028801	13-25	105068402	18-11
105016901	8-9, 9-7	105028901	13-25	105070101	18-3, 18-5
105017001	8-9, 9-7	105029001	13-25	105070102	18-7
105017101	8-9, 9-7	105029101	13-25	105070103	18-9
105017201	10-9	105029201	13-25	105073001	10-5
105017301	8-13, 9-11	105029301	13-29	105075301	8-11, 9-9
105017401	8-13, 9-11	105029401	13-29	105078807	2-3
105017501	8-13, 9-11	105029501	13-27, 13-29	105078814	2-3
105017601	8-13, 9-11	105029601	13-29	105078901	2-3
105017701	8-13, 9-11	105029701	13-29	105079202	2-3
105017801	9-3, 9-11	105029801	13-27, 13-29	105079205	2-3
105017901	8-13, 9-11	105029901	13-27, 13-29	105079801	2-3
105018001	8-15, 9-13	105030001	13-21, 13-23	105081501	7-3
105018101	8-15, 9-13	105030301	13-27, 13-29	105081601	7-3
105018201	8-15, 9-13	105030401	13-27, 13-29	105084801	8-11, 9-9
105018301	8-15, 9-13	105030501	13-27, 13-29	105088501	10-15
105018401	8-15, 9-13	105030601	13-27, 13-29	105092301	18-3, 18-5, 18-7, 18-9
105018501	8-17, 9-15	105030701	13-21, 13-23	105093101	18-3, 18-5, 18-7, 18-9
105025001	13-21, 13-23	105030801	13-27, 13-29	105095201	18-3
105025101	13-21, 13-23	105030901	13-25	105096101	12-7, 12-9
105025201	13-21, 13-23	105031001	13-29	105102601	7-17, 7-23
105025301	13-21, 13-23	105037201	7-19	105116301	14-3
105025401	13-21, 13-23	105037401	7-11, 7-13	105123801	18-3, 18-5, 18-7, 18-9
105025501	13-21, 13-23	105037501	13-3	105134601	8-5, 9-5
105025601	13-21, 13-23	105037601	13-3	105134901	13-17
105025701	13-21, 13-23	105037701	13-3, 13-5	105135101	10-13, 13-15, 13-17
105025801	13-21, 13-23	105038001	13-5	105135901	7-3
105025901	13-21, 13-23	105038101	13-5	105136001	7-3
105026001	13-21, 13-23	105038201	13-5	105143301	7-3, 10-3
105026101	13-21, 13-23	105038501	13-3, 13-5	105144401	10-13, 13-19
105026201	13-21, 13-23	105038801	13-9	105149101	5-9
105026301	13-21, 13-23	105038805	13-11	105149201	5-9
105026401	13-21, 13-23	105038806	13-13	105149301	8-5, 9-5

INDEX

105151401 7-3
105161701 7-3, 7-5, 7-7
105166801 14-21
105166901 14-21
105167001 14-21
105167101 14-21
105168501 14-21
105168601 14-21
105190101 7-7
105190102 7-5
105195501 14-5
105205401 7-9
105214101 11-3
105215401 10-3
105216604 2-3
105234801 13-21, 13-23
105234901 13-21, 13-23
105245401 10-3
105245701 7-3
105245801 12-5
105256701 7-3
105256801 7-3
105262401 8-5
105282901 10-5
105282902 10-5
105282903 10-5
47539956001 8-3, 8-13
47539957001 11-3
47540040001 8-7, 8-17
47542195001 5-13, 5-15
47563306001 1-55
47563307001 1-55
47563434001 14-7
47564781001 14-11
47564782001 1-53
47564783001 1-53
47564784001 1-53
47564886021 1-55
47564886022 1-55
47564886024 1-55
47564886025 1-55
47564887021 1-55
47564887022 1-55
47564887024 1-55
47564887025 1-55
47564888021 1-55
47564888022 1-55
47564888023 1-55
47564888024 1-55
47564888025 1-55
47564888026 1-55
47564888027 1-55
47564888028 1-55
47564889021 1-55
47564889022 1-55
47564889023 1-55

47564889024 1-55
47564889025 1-55
47564889026 1-55
47564889027 1-55
47564889028 1-55
47568672001 1-53
47568673001 1-53, 1-57
47568674001 1-53
47568674002 1-53
47568675001 1-53, 1-57
47568676001 1-53
47568677001 1-53
47579096001 6-23
47579306001 17-7
47579307001 17-5
47579307002 17-5
47579307003 17-5
47579307004 17-5
47579307005 17-5
47579307006 17-5
47579307007 17-5
47581051001 1-53
47582894002 1-53
47583276001 1-57
47583277001 1-57
47595292001 1-37
47595294001 1-37
47595294002 1-37
47599382001 8-7
47600421001 8-7
47600422001 8-7
47600423001 8-7
96704176 13-5
96705199 13-15, 13-17
96741046 8-5, 9-5

A

AC cord 18-3, 18-11
accelerator bracket and bearing assembly 5-5, 5-7
accelerator cable 10-13
accelerator pivot rod 5-5, 5-7
accelerator return spring 5-5, 5-7
accelerator rod 5-7
adapter
 air intake 10-11
air cleaner assembly 10-15
air deflector 8-11, 9-9
air filter 8-3, 9-3, 10-15
air filter evacuator 10-15
air intake adapter 10-11
air intake hose 10-15
anti-sway bar 6-27
A-plate strap 6-19
A-plate, delta 6-19
arm

 governor 10-13, 13-19
armature 15-3
armrest 1-27, 1-31
assembly
 accelerator bracket and bearing 5-5, 5-7
 accelerator pivot rod 5-5, 5-7
 backrest 1-31
 bearing, steering shaft 6-7
 brake lever 5-13, 5-15
 delta A-plate 6-19
 delta shock and gear support 6-21
 drive hub 12-7, 12-9
 driven clutch 12-11
 frame and field (motor) 15-3
 fuel cap 10-3
 fuel pump 10-5
 headlight 4-3
 headlight harness 4-3
 inner ball joint 6-5
 kingpin 6-19
 moveable-face 12-7, 12-9, 12-11
 ratchet 5-3, 5-5, 5-7
 secondary clutch weight 12-7, 12-9
 steering shaft 6-7
 turn signal lens 4-3
axle 16-3
axle guard 16-5
axle shaft 13-27, 13-29
axle shaft oil seal 16-3
axle tube 13-27, 13-29, 16-3

B

backing plate, brake 5-13, 5-15
backrest 1-55
backrest assembly 1-31
backrest, beige 1-27
backrest, black 1-27
backrest, gray 1-27
backrest, white 1-27
baffle
 crankcase 8-9, 9-7
balance shaft 8-23, 9-21
ball bearing 7-5, 7-7, 13-25, 13-27, 13-29
ball joint 5-3, 5-7
ball stud 7-11, 7-13
ball, bearing 6-15
ball, trailer hitch 1-41
bar, nerf 1-29
bar, side 1-29
bar, stabilizer 6-27
barrel, plastic 1-7, 1-49, 17-7
battery
 12-volt, side-post 7-25
 8-volt, 8VGCXC 14-15
 8-volt, CR165 14-13
 8-volt, GC8 14-17

INDEX

- battery charger 17-3, 18-3, 18-5, 18-7, 18-9
- battery clamp 7-25
- battery condition indicator 4-15, 4-17
- battery condition indicator kit 4-15
- battery hold-down 14-13, 14-15, 14-17
- battery insulator 1-45
- battery light 4-17
- battery retainer 7-25
- battery, top-post, wire, 4ga, B+ 7-3
- battery, top-post, wire, B- 4ga, 7-3
- bearing 16-3
 - balance shaft 8-21, 9-19
 - ball 6-15, 7-5, 7-7, 13-25, 13-27, 13-29
 - ball (motor) 15-3
 - ball (steering pinion) 6-5
 - crankshaft 8-21, 9-19
 - inner axle tube 16-3
 - lower pinion (steering) 6-5
 - pivot support 5-5, 5-7
 - steering shaft 6-7
 - thrust 6-19, 13-21, 13-23
- bearing seat 6-7
- bed, box 1-51
- bellows 6-5
- belt, drive 12-3, 12-5
- belt, starter/generator 7-9
- beverage holder 1-19
- bezel, headlight 4-3
- bezel, taillight 4-29
- block, brake-mounting 5-3
- block, fuse 4-5, 4-7, 7-11, 7-13
- block, terminal 4-5, 4-7, 14-5
- body kick plate 1-45, 1-47
- body, front 1-7
- bolt, J- 14-13, 14-15, 14-17
- bolt, U- 6-25
- boot, steering column 6-7
- boot, switch 14-9
- bottom, seat 1-55
- box
 - steering gear 6-5
- box bed 1-51
- brace, canopy 1-11
- bracket 6-25
 - accel.cable 10-13, 13-15, 13-17
 - brake light switch 4-5, 4-7
 - carbon canister/ECU 10-7
 - FNR cable 10-13, 13-15, 13-17
 - governor 10-13, 13-19
 - headlight mounting 4-3
 - horn 4-23, 4-25
 - hour meter 4-27
 - mounting, starter/generator 8-5, 9-5
 - mounting, transaxle/exhaust 8-5, 9-5
 - snuubber 8-5, 9-5
 - stabilizer bar mounting 6-27
- starter/generator adjusting 7-9
- steering column 6-7
- steering column mounting 6-7
- Tow/Run switch 14-9
- brake adjusting mechanism 5-13, 5-15
- brake backing plate 5-13, 5-15
- brake cable 5-11
- brake cable equalizer 5-11
- brake cable hanger 5-11
- brake cluster 5-13, 5-15
- brake drum 5-13, 5-15
- brake lever 5-13, 5-15
- brake light switch bracket 4-5, 4-7
- brake mounting block 5-3
- brake pedal 5-3
- brake pedal pad 5-3
- brake relay kit, 12-volt 4-5
- brake return spring 5-11
- brake self-adjusting mechanism 5-13, 5-15
- brake shoe 5-13, 5-15
- brake spring 5-13, 5-15
- breather 13-21, 13-23, 16-3
- breather hose 10-11
- brush 15-3
- brush box assembly 15-3
- brush cover kit, starter/generator 7-5, 7-7
- brush guard support 6-21
- brush inspection port cover 7-5, 7-7
- brush rigging 15-3
- brush spring 7-5, 7-7, 15-3
- brush spring set 7-5, 7-7
- brush spring, starter/generator 7-5, 7-7
- brush terminal, starter/generator 7-5, 7-7
- bulb, headlight 4-3
- bulb, tail light 4-29
- bumper 1-21
 - cast 1-3
 - drive unit (motor) 15-3
 - rubber 5-3
 - spring return 5-5, 5-7
- bushing 7-11, 7-13, 12-7, 12-9, 13-3, 13-5
 - bronze 6-15
 - nylon 5-3
 - spindle 6-15
 - stabilizer bar 6-27
 - steel 6-21, 6-25
 - urethane 6-19, 6-21, 6-25
- bushing support 6-27
- button, drive 12-11
- buzzer, reverse 4-13, 4-17
- C**
- cable
 - accelerator 10-13
 - brake 5-11
 - FNR shifter 13-7, 13-9, 13-11, 13-13
- governor 10-13
- cam
 - driven clutch 12-11
 - electrical component box 7-11, 7-13
- cam, engine 8-19, 9-17
- camshaft 8-19, 9-17
- camshaft o-ring 8-19, 9-17
- canister, carbon, fuel tank 10-7
- canopy brace 1-11
- canopy support 1-33, 1-35
- canopy trim plate 1-33, 1-35
- cap
 - dust 4-17, 14-7
 - front hub 6-15
 - fuel, gas, ratchet 10-3
 - key switch 4-13, 4-17
 - rubber 13-31
- cap,quick connector 14-5
- carbon canister 10-7
- cargo box 1-51
- case
 - gear 16-3
 - transaxle 13-21, 13-23
- cast bumper 1-3
- center shaft 13-25
- chain, timing 8-19, 9-17
- charger, battery 17-3
- charger, battery, Hi-Freq 18-3, 18-5, 18-7, 18-9
- charging diode 7-19
- clamp
 - battery 7-25
 - hose 10-3, 10-7, 10-15
 - p- (fuel filter) 8-11, 9-9, 10-13
- clevis, upper delta 6-19
- clip
 - meter 4-13
 - retainer plate 8-17, 9-15
- clip, piston pin 8-23, 9-21
- cluster, brake 5-13, 5-15
- clutch
 - pin 13-25
- clutch repair kit 12-11
- clutch weight 12-7, 12-9
- clutch, drive 12-7, 12-9
- clutch, driven 12-11
- coil, ignition 8-13, 9-11
- collar 13-25
- collet 8-19, 9-17
- column, steering 6-7
- compression mount 6-27
- connecting rod 8-23, 9-21
- controller cover 14-5
- controller cover gasket 14-5
- controller, motor speed
 - Excel w/Hi-Freq 14-5
- converter, DC/DC 4-19

INDEX

- cooling fan 8-9, 9-7
 - cord set, DC 18-3, 18-5, 18-7, 18-9
 - cord, AC 18-3, 18-11
 - counter shaft 13-25
 - cover
 - brush inspection port 7-5, 7-7
 - crankcase 8-21, 9-19
 - DC terminal block 18-3, 18-5, 18-7, 18-9
 - dust 5-13, 5-15
 - fan 8-9, 9-7
 - fuse block 4-7, 14-5
 - rocker switch hole 4-13, 4-17
 - screw head 4-13, 4-17
 - steering column 6-7
 - USB 18-3, 18-5, 18-7, 18-9
 - cover gasket, controller 14-5
 - cover plate 15-3
 - cover, controller 14-5
 - cover, rocker 8-17, 9-15
 - cover, speed controller 14-5
 - cover, steering column 4-9, 4-11
 - cover, valve 8-17, 9-15
 - cowl 1-7
 - cowl support 1-11
 - crankcase 8-21, 9-19
 - crankcase baffle 8-9, 9-7
 - crankcase cover 8-21, 9-19
 - crankshaft 8-23, 9-21
 - C-type stop ring 6-5
 - cup holder 1-19
 - cup, spring 5-5, 5-7
 - cushion, shock absorber 6-23
 - cylinder head 8-17, 9-15
- ## D
- dash closeout panel 1-11
 - dash component 1-13
 - dash panel 4-13, 4-17
 - dc converter, 15A 4-19
 - DC cord set 18-3, 18-5, 18-7, 18-9
 - DC/DC converter 4-19
 - decal
 - battery danger 3-3
 - bed load warning 3-3, 3-5
 - box bed warning 1-51, 1-53
 - Club Car name plate 3-7
 - component cover 3-3, 14-5
 - crush area warning 1-53
 - dash warning 3-3, 3-5
 - driver/passenger 3-5
 - engine warning 8-9, 9-7
 - filter log 14-21
 - frame ground 3-5
 - inspect log 14-21
 - on/off 3-3, 3-5
 - operating instructions 3-3, 3-5
 - operating instructions (electric) 3-3
 - operating instructions (gas) 3-5
 - rotating parts 1-47, 3-5
 - Tow/Run switch warning 3-3
 - trailer hitch 1-41, 1-57, 3-3, 3-5
 - young driver warning 3-3, 3-5
 - deflector
 - air 8-11, 9-9
 - deionizer 14-21
 - cartridge 14-21
 - delta A-plate 6-19
 - delta A-plate sub-assembly 6-19
 - delta shock and gear support 6-21
 - diagnostic port 4-17, 14-7
 - differential 13-29
 - limited-slip 13-27
 - open 13-29
 - differential drive unit 16-3
 - differential gear 16-3
 - differential gear set 13-29
 - differential guard 16-5
 - differential housing 16-3
 - differential shaft 13-29
 - diode 7-3
 - diode, charging 7-19
 - dipstick 8-21, 9-19
 - drain plug 8-21, 9-19, 13-21, 13-23
 - drain plug gasket 8-21, 9-19
 - drain plug, rubber 7-5, 7-7
 - drink holder 1-19
 - drive belt 12-3, 12-5
 - drive button 12-11
 - drive clutch 12-7, 12-9
 - drive clutch button 12-7, 12-9
 - drive clutch spring 12-7, 12-9
 - drive clutch weight 12-7, 12-9
 - drive hub 12-7, 12-9
 - drive unit bumper 15-3
 - drive unit guard 16-5
 - driven clutch 12-11
 - driven clutch button 12-11
 - driven clutch cam 12-11
 - driver, drive clutch 12-7, 12-9
 - drum, brake 5-13, 5-15
 - dust cap 4-17, 14-7
 - dust cover 5-13, 5-15
- ## E
- eccentric bolt 6-21
 - E-clip 5-11
 - ECU 10-9
 - enclosure 1-39
 - end cap, motor 15-3
 - end, tie rod 6-11
 - engine
 - air cleaner 10-15
 - air deflector 8-11, 9-9
 - air filter 8-3, 9-3, 10-15
 - air intake hose 10-15
 - balance shaft 8-23, 9-21
 - bearing, balance shaft 8-21, 9-19
 - bearing, crankshaft 8-21, 9-19
 - breather hose 10-11
 - cam 8-19, 9-17
 - camshaft 8-19, 9-17
 - camshaft O-ring 8-19, 9-17
 - connecting rod 8-23, 9-21
 - crankcase 8-21, 9-19
 - crankcase baffle 8-9, 9-7
 - crankcase cover 8-21, 9-19
 - crankcase plug 8-21, 9-19
 - crankshaft 8-23, 9-21
 - crankshaft key 8-23, 9-21
 - cylinder head 8-17, 9-15
 - dipstick 8-21, 9-19
 - drain plug gasket 8-21, 9-19
 - ECU 10-9
 - exhaust valve 8-19, 9-17
 - fan 8-9, 9-7
 - fan housing 8-9, 9-7
 - flywheel 8-13, 9-11
 - fuel injector 10-9
 - guide pin 8-21, 9-19
 - head gasket 8-17, 9-15
 - ignition coil 8-13, 9-11
 - insulator, throttle body 10-11
 - intake valve 8-19, 9-17
 - oil drain plug 8-21, 9-19
 - oil filler tube 8-21, 9-19
 - oil filler tube O-ring 8-21, 9-19
 - oil level sensor 8-15, 9-13
 - oil seal 8-21, 9-19
 - piston 8-23, 9-21
 - piston pin 8-23, 9-21
 - piston pin clip 8-23, 9-21
 - piston ring set 8-23, 9-21
 - retainer plate 8-17, 9-15
 - retainer plate clip 8-17, 9-15
 - rocker arm 8-19, 9-17
 - rocker cover 8-17, 9-15
 - rocker cover gasket 9-15
 - rocker shaft 8-19, 9-17
 - spark plug 8-3, 8-13, 9-3, 9-11
 - temperature sensor 8-15, 9-13
 - throttle body 10-9
 - timing chain 8-19, 9-17
 - timing chain guide 8-19, 9-17
 - timing chain sprocket 8-19, 9-17
 - timing chain tensioner 8-19, 9-17
 - valve collet 8-19, 9-17
 - valve guide 8-17, 9-15
 - valve seal 8-17, 9-15

INDEX

valve spring 8-19, 9-17
valve spring retainer 8-19, 9-17
warning decal 8-9, 9-7
engine warning decal 8-9, 9-7
engine, EX40 8-5, 9-5
equalizer rod 5-11
equalizer, brake cable 5-11
exhaust valve 8-19, 9-17
extrusion, cover support 14-5
extrusion, fender 1-7
extrusion, plastic 1-21

F

face, moveable 12-11
fan
cooling 8-9, 9-7
fan cover 8-9, 9-7
fan housing 8-9, 9-7
fender extrusion 1-7
fender trim 1-49
fender, inner 1-43
field coil housing 7-5, 7-7
filter
air 8-3, 9-3, 10-15
fuel 10-5
finishing plug 1-25
fitting, thread-forming grease 6-15
flasher, turn signal, 12-volt 4-11
floor mat 1-15
flywheel 8-13, 9-11
FNR closeout brush 4-13
FNR handle 13-3
fnr shaft 13-5
FNR shift lever 13-15, 13-17
FNR shifter base 13-3, 13-5
FNR shifter cable 13-7, 13-9, 13-11, 13-13
frame and field assembly (motor) 15-3
frame and field, starter/generator 7-5, 7-7
front body 1-7
front body support 1-45, 1-47
front spring retainer plate 6-21
fuel filter 10-5
Fuel Filter Kit 10-5
fuel injector 10-9
fuel line 10-7
fuel meter 4-13
Fuel Module, Hold-Down Ring 10-5
Fuel Pump 10-5
fuel pump 10-5
fuse
10-amp 7-3, 7-11, 7-13
20-amp 4-5, 4-7
2-amp 7-3
5-amp 7-3
fuse block 4-5, 4-7, 7-11, 7-13
fuse block cover 4-7, 14-5

G

gasket 13-21, 13-23
cover, rocker 9-15
cover, valve 9-15
drain plug 8-21, 9-19
insulator 10-11
liquid 16-3
plug 16-3
seat 1-27
taillight 4-29
gasket, controller cover 14-5
gasket, head 8-17, 9-15
gauge, battery condition 4-15, 4-17
gauge, fuel-hour 4-13
gear
17 tooth 13-25
34 tooth 13-25
52 tooth 13-25
60 tooth 13-27, 13-29
62 tooth 13-25
differential 16-3
differential idler 16-3
differential output 16-3
governor 13-21, 13-23
governor, 34 tooth 13-25
set, differential 13-29
gearcase 16-3
governor arm 10-13, 13-19
governor cable 10-13
governor gear shaft 13-21, 13-23
governor shaft 13-21, 13-23
grommet 1-33, 1-35, 10-3
guard, differential 16-5
guide
valve 8-17, 9-15
guide pin 8-21, 9-19, 13-21, 13-23
guide, timing chain 8-19, 9-17
gun rack, floor mount 1-17

H

handle 13-5
handle, FNR 13-3
hanger, brake cable 5-11
harness
wire 4-25
harness, headlight 4-5, 4-7
harness, wire 4-19, 4-25
harness, wire, gas engine-ECU 7-3
harness, wire, lighting 4-7
head gasket 8-17, 9-15
head, cylinder 8-17, 9-15
headlight 4-3
headlight assembly 4-3
headlight bulb 4-3
headlight harness 4-3

headlight retainer 4-3
headlight wire harness 4-5, 4-7
hill brake rod 5-3
hill brake weld assembly 5-3
hinge plate 1-27, 1-45, 1-47
hitch, trailer 1-41
hitch, trailer, ball 1-41
hold-down, battery 14-13, 14-15, 14-17
holder, cup 1-19
hole plug 4-17
horn 4-23, 4-25
horn bracket 4-23, 4-25
horn button and wire assembly 4-23
hose
air intake 10-15
engine breather 10-11
fuel 10-7
SPWS 14-19
vent 10-7
hour meter 4-13, 4-27
hour meter, 36-48 volt 4-27
housing
3-pin 15-3
differential 16-3
fan 8-9, 9-7
field coil 7-5, 7-7
hub 6-15, 13-31
hub cap 6-15

I

idler gear, differential 16-3
ignition coil 8-13, 9-11
indicator, battery condition 4-15, 4-17
inner frame snubber 8-5, 9-5
input shaft 13-25, 16-3
instrument panel 4-13, 4-17
insulator 10-11
insulator gasket 10-11
insulator, battery 1-45
intake valve 8-19, 9-17
intermediate shaft 16-3
isolator, shock damper 6-23

J

J-bolt 14-13, 14-15, 14-17
joint
ball 5-3, 5-7
steering 6-9
jumper harness, run/maint 7-3

K

key
driven clutch 12-11
On/Off 4-13, 4-17
square 12-11

INDEX

key switch 4-13
key switch cap 4-13, 4-17
key switch, On/Off 4-17
key,crankshaft 8-23, 9-21
kick plate, body 1-45, 1-47
kingpin 6-19
kit
 3-pin housing 15-3
 accelerator pivot rod 5-5, 5-7
 battery condition indicator 4-15
 brake pedal 5-3
 brake relay 4-5
 brake shoe retainer 5-13, 5-15
 clutch repair 12-11
 deflector, air 8-11, 9-9
 drive clutch button 12-7, 12-9
 drive clutch weight 12-7, 12-9
 driven clutch button 12-11
 enclosure 1-39
 front hub replacement 6-15
 hand pump, SPWS 14-21
 hour meter 4-27
 motor brush 15-3
 motor brush spring 15-3
 motor cover plate 15-3
 motor speed sensor 15-3
 motor terminal hardware 15-3
 park brake latch 5-3
 park brake pedal 5-3
 relay, 48V 4-7
 shock absorber cushion 6-23
 shoe retainer 5-13, 5-15
 steering column mounting bracket 6-7
 taillight hardware 4-29
 turn signal 4-9
 windshield, hinged 1-23
 windshield, one-piece 1-21
knob, forward/reverse 13-5

L
lamp, turn signal and socket 4-9, 4-11
latch, park brake 5-3
leaf spring 6-25
lens, headlight 4-3
lens, taillight 4-29
lever
 transaxle shift 13-15, 13-17
light
 battery 4-17
 oil 4-13
 water quality 14-21
limit switch 4-5, 4-7, 7-13, 7-15, 7-17, 7-21, 7-23
limiter
 voltage 4-5, 4-21
line, fuel 10-7
link, stabilizer bar 6-27

liquid gasket 16-3
low oil warning light 4-13
lubricant, moly-teflon 15-3
lug nut 2-3
lug stud 13-31, 16-3

M
magnet, speed sensor 15-3
MCOR 14-3
mechanism, brake adjusting 5-13, 5-15
meter clip 4-13
meter, hour 4-27
motor
 48-volt IQ 15-3
motor brush kit 15-3
motor brush spring kit 15-3
motor bumper 15-3
motor end cap 15-3
motor magnet, speed sensor 15-3
motor speed controller
 Excel w/Hi-Freq 14-5
motor speed sensor 15-3
motor speed sensor kit 15-3
motor terminal hardware kit 15-3
mount, compression 6-27
mounting block, brake 5-3
moveable-face 12-7, 12-9, 12-11

N
nerf bar 1-29
non-skid tape 1-29
nut, lug 2-3

O
oil filler tube 8-21, 9-19
oil level sensor 8-15, 9-13
oil seal 8-21, 9-19, 13-21, 13-23
oil warning light, low 4-13
O-ring 8-19, 8-21, 9-17, 9-19
O-ring Kit, Fuel Module 10-5
O-Ring, Fuel Module 10-5

P
pad
 brake pedal 5-3
 park brake 5-3
 thermal 7-19
panel
 closeout, dash 1-11
panel, instrument 4-13, 4-17
panel, rear 17-7
park brake latch 5-3
park brake pedal 5-3
park brake rod sleeve 5-3
park brake spacer 5-3

park brake torsion spring 5-3
pawl 5-3
p-clamp (fuel filter) 8-11, 9-9, 10-13
pedal, brake 5-3
pedal, park brake 5-3
pin
 bow tie locking 5-11
 clevis 5-11
 differential 13-29
 guide 8-21, 9-19, 13-21, 13-23
 input shaft 13-25
 piston 8-23, 9-21
pinion, steering 6-5
piston 8-23, 9-21
piston pin 8-23, 9-21
piston pin clip 8-23, 9-21
piston ring 8-23, 9-21
piston ring set 8-23, 9-21
pivot support bearing 5-5, 5-7
plate
 backing (brake) 5-13, 5-15
 body kick 1-45, 1-47
 cover 15-3
 front spring retainer 6-21
 hinge 1-27, 1-45, 1-47
 mounting, CVT, center 8-5, 9-5
 mounting, engine/axle 8-5, 9-5
 receptacle backing 14-11, 17-7
 retainer 8-17, 9-15
 spring mounting 6-21
plate, canopy trim 1-33, 1-35
plate, steering wheel center 6-13
plug 1-25
 drain 13-21, 13-23
 hole 4-17
 oil drain 8-21, 9-19
 rubber drain 7-5, 7-7
 rubber, crankcase 8-21, 9-19
 spark 8-3, 8-13, 9-3, 9-11
port, diagnostic 4-17, 14-7
pulley
 starter-generator 7-5, 7-7
 v-belt 7-5, 7-7
pump
 fuel 10-5

R
rack guide pressure spring 6-5
rack, steering 6-5
ratchet, park brake 5-3, 5-5, 5-7
rear panel 17-7
rear spring shackle 6-25
receptacle backing plate 14-11, 17-7
receptacle, charger 14-11
regulator, voltage 7-11, 7-13
relay 4-7

INDEX

- relay, 12-volt 4-5
- relay, 48V 4-7
- relay, brake, kit, 12-volt 4-5
- resistor assembly 14-5
- retainer
 - accelerator pedal spring 5-5, 5-7
 - battery 7-25
 - brake shoe 5-13, 5-15
 - headlight 4-3
 - shock absorber cushion 6-23
 - valve spring 8-19, 9-17
- retainer plate 8-17, 9-15
- retaining ring 6-7
- return spring bumper 5-5, 5-7
- reverse buzzer 4-13, 4-17
- ring
 - C-type stop 6-5
 - piston 8-23, 9-21
 - retaining 6-7, 7-11, 7-13, 12-7, 12-9, 12-11, 13-21, 13-23, 13-31
 - snap 6-5
 - spiral backup 12-7, 12-9
- rivet, blind push 6-13
- rock guard 16-5
- rocker arm 8-19, 9-17
- rocker cover 8-17, 9-15
- rocker cover gasket 9-15
- rocker shaft 8-19, 9-17
- rocker switch 4-17
- rocker switch (lights) 4-5, 4-7, 4-13, 4-17
- rod
 - accelerator 5-7
 - accelerator pivot 5-5, 5-7
 - connecting 8-23, 9-21
 - equalizer 5-11
 - hill brake 5-3
- S**
- safety decal 3-3, 3-5
- score card plate 6-13
- seal
 - lip 16-3
 - oil 8-21, 9-19, 13-21, 13-23, 16-3
 - steering pinion dust 6-5
 - valve 8-17, 9-15
- sealant 16-3
- seat back 1-55
- seat back, beige 1-27
- seat back, black 1-27
- seat back, gray 1-27
- seat back, white 1-27
- seat bottom 1-55
- seat bottom assembly 1-27
- seat gasket 1-27
- seat, bearing 6-7
- select shaft 13-21, 13-23
- sensor
 - oil level 8-15, 9-13
 - temperature 8-15, 9-13
- sensor, motor speed 15-3
- shackle, rear spring 6-25
- shaft
 - axle 13-27, 13-29
 - balance 8-23, 9-21
 - center 13-25
 - counter 13-25
 - differential 13-29
 - governor 13-21, 13-23
 - governor gear 13-21, 13-23
 - input 13-25, 16-3
 - intermediate 16-3
 - rocker 8-19, 9-17
 - select 13-21, 13-23
 - shift 13-25
 - steering column 6-7
- shift lever 13-15, 13-17
- shift shaft 13-5, 13-25
- shifter, base 13-5
- shock absorber 6-17, 6-23
- shock absorber cushion 6-23
- shock absorber cushion retainer 6-23
- shock damper isolator 6-23
- shoe retainer kit 5-13, 5-15
- shoe, brake 5-13, 5-15
- side bar 1-29
- signal, turn 4-9
- sleeve 13-21, 13-23
 - delta A-plate 6-19
 - park brake rod 5-3
- snap ring 6-5
- snubber bracket 8-5, 9-5
- snubber, inner frame 8-5, 9-5
- solenoid, 12-volt 7-11, 7-13
- spacer 1-3, 13-21, 13-23, 13-25
 - accelerator pivot rod 5-5, 5-7
 - park brake 5-3
- spark plug 8-3, 8-13, 9-3, 9-11
- speed controller
 - Excel w/Hi-Freq 14-5
- speed controller cover 14-5
- speed sensor 15-3
- speed sensor magnet 15-3
- speed sensor, motor 15-3
- spiral backup ring 12-7, 12-9
- spring 13-21, 13-23
 - accelerator return 5-5, 5-7
 - brake 5-13, 5-15
 - brake return 5-11
 - brush 7-5, 7-7, 15-3
 - drive button 12-7, 12-9
 - drive clutch 12-7, 12-9
 - driven clutch 12-11
 - leaf 6-25
 - park brake torsion 5-3
 - rack guide pressure 6-5
 - steering shaft compression 6-7
 - valve 8-19, 9-17
- spring cup 5-5, 5-7
- spring mounting plate 6-21
- spring retainer 8-19, 9-17
- spring, leaf 6-21
- SPWS hose 14-19
- stabilizer bar 6-27
- stabilizer bar link 6-27
- stabilizer bar mounting bracket 6-27
- starter/generator 7-5, 7-7
- starter/generator brush cover kit 7-5, 7-7
- starter/generator brush spring 7-5, 7-7
- starter/generator brush terminal 7-5, 7-7
- starter/generator frame and field 7-5, 7-7
- starter/generator pulley 7-5, 7-7
- steel bushing 6-21, 6-25
- steering column 6-7
- steering column cover 4-9, 4-11
- steering gear box 6-5
- steering joint 6-9
- steering pinion 6-5
- steering pinion dust seal 6-5
- steering rack 6-5
- steering shaft assembly 6-7
- steering shaft compression spring 6-7
- steering wheel 6-13
- strap, A-plate 6-19
- stud
 - exhaust mounting
 - engine
 - exhaust mounting stud 8-17, 9-15
 - intake mounting
 - engine
 - intake mounting stud 8-17, 9-15, 10-11
 - lug 13-31, 16-3
- stud, ball 7-11, 7-13
- support
 - brush guard 6-21
 - cowl 1-11
 - support yoke (steering) 6-5
 - support, bushing 6-27
 - support, front body 1-45, 1-47
 - suppressor, voltage 4-5
- switch
 - key 4-13, 4-17
 - light rocker 4-5, 4-7, 4-13, 4-17
 - limit 4-5, 4-7, 7-13, 7-15, 7-17, 7-21, 7-23
 - rocker 4-17
 - Tow/Run 14-9
 - turn signal 4-9, 4-11

INDEX

switch rubber boot 14-9

T

12-volt solenoid 7-11, 7-13
tail light bulb 4-29
taillight 4-29
taillight assembly 4-29
taillight base 4-29
taillight bezel 4-29
taillight gasket 4-29
taillight hardware kit 4-29
taillight lens 4-29
tape, non-skid 1-29
temperature sensor 8-15, 9-13
tensioner, timing chain 8-19, 9-17
terminal block 4-5, 4-7, 14-5
terminal, 1/4 quick-disconnect 4-19
thermal pad 7-19
thread-forming grease fitting 6-15
throttle body 10-9
thrust bearing 6-19
tie rod 6-11
tie rod end 6-11
tie wrap 4-9, 4-11, 4-19, 4-27, 6-5, 7-11, 7-13,
13-7, 13-9, 13-11, 13-13
timing chain 8-19, 9-17
timing chain guide 8-19, 9-17
tire 2-3
Tow/Run switch 14-9
Tow/Run switch bracket 14-9
trailer hitch 1-41
trailer hitch ball 1-41
transaxle (Electric Vehicle) 16-3
transaxle guard 16-5
transaxle, limited-slip (Gas Vehicle) 13-21
transaxle, open-diff (Gas Vehicle) 13-23
tube
axle 13-27, 13-29, 16-3
oil filler 8-21, 9-19
turn signal 4-9
turn signal conversion kit 4-9
turn signal lens 4-3
turn signal socket and lamp 4-9, 4-11
turn signal switch 4-11

U

U-bolt 6-25
upper delta clevis 6-19
urethane bushing 6-19, 6-21, 6-25
USB
cover 18-3, 18-5, 18-7, 18-9
USB cover 18-3, 18-5, 18-7, 18-9

V

valve 10-15

exhaust 8-19, 9-17
intake 8-19, 9-17
valve collet 8-19, 9-17
valve cover 8-17, 9-15
valve cover gasket 9-15
valve guide 8-17, 9-15
valve seal 8-17, 9-15
valve spring 8-19, 9-17
valve stem 2-3
vent
fuel tank 10-3
transaxle 13-21, 13-23
vent, barb 10-7
voltage limiter 4-5, 4-21
voltage regulator 7-11, 7-13
voltage suppressor 4-5

W

warning light, low oil 4-13
water quality light 14-21
weight
clutch 12-7, 12-9
secondary clutch 12-7, 12-9
weldment
governor bracket 10-13, 13-19
wheel 2-3
wheel, steering 6-13
windshield
one-piece 1-21
windshield channel 1-23
windshield, hinged 1-23
wire
green, starter/generator 7-3, 7-5, 7-7
ground, fuel tank 7-3, 10-3
wire harness 4-19, 4-25, 7-3
wire harness, headlight 4-5, 4-7
wire harness, lighting 4-7
wrap, tie 4-9, 4-11, 4-19, 4-27, 6-5, 7-11, 7-13,
13-7, 13-9, 13-11, 13-13

Y

yoke, support (steering) 6-5



Club Car, Inc.
P.O. Box 204658
Augusta, GA 30917-4658
USA

Web www.clubcar.com
Phone 1.706.863.3000
1.800.ClubCar
Int'l +1 706.863.3000
Fax 1.706.863.5808