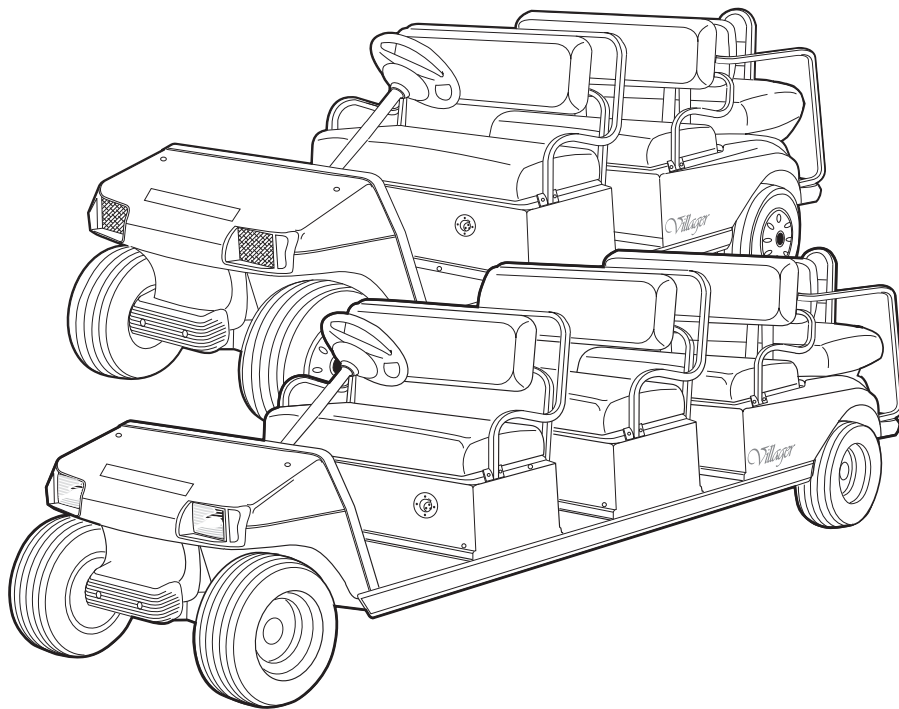


2019 Villager 6 and 8 Illustrated Parts List



Gasoline and Electric Vehicles

Manual Number 105355020

Edition Code B

USING THE ILLUSTRATED PARTS LIST

⚠ WARNING

- **This manual is to be used only for identification and ordering of service parts. Be sure to read and use the maintenance and service manual before attempting any vehicle repairs.**

The manual is divided into sections. Note that there are two flags on the outside edge of each page. The first flag contains the section number of which that page is a part. The other flag (or flags) contains the letter E or G, signifying that the page pertains to the electric or gasoline vehicles only.

Use the Table of Contents to find the sections and pages that contain the parts and assemblies you seek. The Table of Contents lists section numbers, and under them, the individual page titles and numbers to be found in that section. The index can be used to find specific parts and assemblies. The index is divided into numerical and alphabetical listings with the page numbers in italic text.

There is a two-page spread for each individual page title in the Table of Contents. On the left-hand page is an illustration showing the parts in their relative positions; the parts are each tagged with an item number in a balloon. The right-hand page is the parts list page, and gives the page title at the top, then the item numbers (corresponding to the numbers on the illustration), part descriptions, and quantity of parts used.

Note that a part description may be indented. This indentation corresponds to a parts assembly level indicated by the numbers 1, 2, 3, and 4 at the top left corner of the parts description area of the parts list page. A part that is indented to *level 2* is a component of the *level 1* part (assembly) that it is listed under. A *level 3* part is a component of the *level 2* part that it is listed under, and a *level 4* part is a component of the *level 3* part preceding it. In each case, the part quantity given for a level 2, 3, or 4 part is *the quantity used per next higher level assembly of which it is a component*. A part that is not indented is a *level 1* part. This means that the quantity given is the quantity used per the portion of the vehicle illustrated on that particular spread.



P. O. Box 204658
Augusta, Georgia 30917-4658 USA
Telephone 706-863-3000
Service Parts Fax 706-855-7413
www.clubcar.com

HOW TO ORDER PARTS

Replacement parts and accessories can be obtained from our network of authorized dealers and distributors. You can obtain the name and phone number of your closest authorized Club Car dealer or distributor by visiting our web site at www.clubcardealer.com, by calling our toll-free Service Parts and Technical Assistance hotline at (800) 872-2246 or (706) 863-3000, extension 3887, or by scanning this Quick Response (QR) code to be taken to the Club Car dealer locator. **Refer to Figure 1.** Download a QR code reader such as RedLaser or Barcode Scanner to your cell phone or tablet.



Figure 1 Dealer Locator QR Code

CUSTOMER SATISFACTION SURVEY

Let your voice be heard!

Please take time to participate in the Technical Publications satisfaction survey. Obtaining feedback from our customers is important to the department's continuous improvement process. The online survey takes less than five minutes and responses will help the department to examine current performance as well as identify areas for future improvement.

Our top priority is to provide timely, accurate, and user friendly manuals.

The online satisfaction survey can be found at: <http://bit.ly/1w9uFMh>



Figure 2 Survey QR Code

NOTE: *This illustrated parts list represents the most current information at the time of publication. Club Car, LLC is continually working to further improve its vehicles and other products. These improvements may affect the parts used to service the vehicle. Any modification and/or significant change in specifications will be forwarded to all Club Car and Carryall distributors/dealers and will, when applicable, appear in future editions of this illustrated parts list.*

Club Car, LLC reserves the right to change specifications and designs at any time without notice and without the obligation of making changes to units previously sold.

Copyright © 2019 Club Car, LLC.
Club Car is a registered trademark of Club Car, LLC.
This manual effective July 1, 2019.

2019 Villager 6 and 8 Gasoline and Electric Vehicles

CONTENTS

SECTION 1 – BODY AND TRIM

| | |
|---|------|
| Front Body and Trim – Turf, Utility, & Transportation | 1-3 |
| Brush Guard Kit – DS, Utility, & Villager | 1-5 |
| Splash Guard – Gasoline Vehicles Only | 1-7 |
| Dash Pockets and Floormat | 1-9 |
| Floormat, Rear – Villager & Transportation Vehicles | 1-11 |
| Beverage Holder – Dual | 1-13 |
| Mirror, Rear-View – without Cab | 1-15 |
| Grommets, Chassis | 1-17 |
| Front and Center Seat Bottoms | 1-19 |
| Seat Back Assembly | 1-21 |
| Armrests, Front – Villager 6 & 8 Vehicles | 1-23 |
| Windshield, Hinged | 1-25 |
| Windshield, Non-Hinged | 1-27 |
| Center Body – Villager 6 Gasoline Vehicle | 1-29 |
| Center Body – Villager 6 IQ Plus Vehicle | 1-31 |
| Center Bodies – Villager 8 Gasoline Vehicle | 1-33 |
| Center Bodies – Villager 8 IQ Plus Vehicle | 1-35 |
| Rear, Forward-Facing Seat Bottom | 1-37 |
| Armrests, Rear, Forward-Facing – Villager 6 & 8 Vehicles | 1-39 |
| Rear Body and Fender – Villager 6 & 8 | 1-41 |
| Heat Insulation, Foam – EFI Gasoline Vehicle | 1-43 |
| Heat Shield, Transporter, Vill 6 & 8, XRT800/850 Rear Body – Gas | 1-45 |
| Battery Insulator, Transporter, Vill 6 & 8, XRT850 Rear Body – Electric | 1-47 |
| Rear Access Door | 1-49 |
| Rear-Facing Seat Bottom – Villager Vehicles | 1-51 |
| Rear Footrest, Armrests and Handrails – DS Villager 4, Villager 6 and 8 | 1-53 |
| Canopy Kit, White – Vill. 6 with Rear-Facing Seats | 1-55 |
| Canopy Kit, Beige – Vill. 6 with Rear-Facing Seats | 1-57 |
| Canopy Kit, White – Vill. 6 with Flat Bed | 1-59 |
| Canopy Kit, Beige – Vill. 6 with Flat Bed | 1-61 |
| Canopy Kit, White – Vill. 8 with Rear-Facing Seats | 1-63 |
| Canopy Kit, Beige – Vill. 8 with Rear-Facing Seats | 1-65 |
| Canopy Kit, White – Vill. 8 with Flat Bed | 1-67 |
| Canopy Kit, Beige – Vill. 8 with Flat Bed | 1-69 |

SECTION 2 – WHEELS AND TIRES

| | |
|---------------------------------|-----|
| Wheels (Silver) and Tires | 2-3 |
| Wheel Covers | 2-5 |

CONTENTS

SECTION 3 – DECALS

| | |
|--|------|
| Decals – Villager 6 Gas and IQ Plus | 3-3 |
| Decals – Villager 6 IQ Plus Vehicle Only | 3-5 |
| Decals – Villager 6 Gasoline Vehicle Only | 3-7 |
| Decals – Villager 8 Gas and IQ Plus | 3-9 |
| Decals – Villager 8 IQ Plus Vehicle Only | 3-11 |
| Decals – Villager 8 Gasoline Vehicle Only | 3-13 |
| Badging Decals – Villager | 3-15 |
| IQ Plus Logo Decal – IQ Plus Vehicles Only | 3-17 |

SECTION 4 – LIGHTS, CONTROLS, AND INDICATORS

| | |
|---|------|
| Headlights | 4-3 |
| Lighting System Components – Transportation Gasoline Vehicles | 4-5 |
| Lighting System Components – CA6/Vill. 6/Tporter Elec. With IQ Plus Charger | 4-7 |
| Lighting System Components – Villager 6 Elec. With High-Freq. Charger | 4-9 |
| Lighting System Components – Villager 8 Elec. with IQ Plus Charger | 4-11 |
| Lighting System Components – Villager 8 Elec. with High-Freq. Charger | 4-13 |
| Turn Signal Kit – DS and Utility Gasoline and Electric Vehicles | 4-15 |
| Turn Signal (with Horn Button) Kit – DS and Utility Gas and Electric Vehicles | 4-17 |
| Instrument Panel and Electrical Components – Key and Pedal Start – Gas | 4-19 |
| Instrument Panel – CA6/Vill 6 & 8/Tporter/XRT850 Elec. With Lester Charger | 4-21 |
| Instrument Panel with Electrical Components – Pedal Start – Electric with HFC | 4-23 |
| Keys and Keyswitches, SmartKey Kit – Electric Vehicle | 4-25 |
| Keys and Keyswitches, Uncommon – Gas Vehicle | 4-27 |
| DC Converter (Isolated) – Electric Vehicle | 4-29 |
| DC Converter (Isolated) – CE Electric Vehicle | 4-31 |
| Strobe Light, Roof-Mounted | 4-33 |
| Horn with Column-Mounted Button | 4-35 |
| Hour Meter – IQ System and IQ Plus Electric Vehicles | 4-37 |
| Rear Reverse Buzzer | 4-39 |
| Tail Lights | 4-41 |

SECTION 5 – BRAKES, PEDALS, AND CABLES

| | |
|---|------|
| Brake Pedal Assembly | 5-3 |
| Accelerator Pedal Assembly – Electric Vehicles | 5-5 |
| Accelerator Pedal Assembly – Gasoline Vehicles | 5-7 |
| Accelerator Rod – Turf/CA6/Vill6/Tporter Gas Vehicles | 5-9 |
| Accelerator Rod – Villager 8 Gas Vehicles | 5-11 |

CONTENTS

| | |
|---|------|
| Front Brake Assembly – Vehicles with Four-Wheel Brakes | 5-13 |
| Front Brake Cables and Equalizer – Vehicles with Four-Wheel Brakes | 5-15 |
| Rear Brakes, Manually-Adjusted – Elec. Vehicles with 4-Wheel Brakes | 5-17 |
| Rear Brakes, Manually-Adjusted – Gas Vehicles with 4-Wheel Brakes | 5-19 |
| Rear Brake Cables and Equalizer – Turf/CA6/Vill. 6/Tporter | 5-21 |
| Rear Brake Cables and Equalizer – Villager 8 | 5-23 |

SECTION 6 – STEERING AND SUSPENSIONS

| | |
|--|------|
| Steering Gear Assembly (Wanda) – Maint.-Free Ball Joint | 6-3 |
| Steering Column – Utility | 6-5 |
| Intermediate Steering Shaft (Wanda) – Turf/CA/Villager/Tporter | 6-7 |
| Steering Wheel | 6-9 |
| Steering Wheel with Clip | 6-11 |
| Front Spindles and Hubs – Vehicles with Four-Wheel Brakes and Maintenance-Free Ball Joints | 6-13 |
| Front Susp., Upper – Vill 6/8 & TransPorter with Maintenance-Free Ball Joints | 6-15 |
| Front Suspension, Lower – Villager 6 with Maintenance-Free Ball Joints | 6-17 |
| Front Suspension, Lower – Villager 8 with Maintenance-Free Ball Joints | 6-19 |
| Rear Suspension – Turf/CA 2, 2 Plus, 6, and Transportation Gasoline | 6-21 |
| Rear Suspension – Turf/CA 2, 6, and Transportation IQ Plus Electric | 6-23 |
| Stabilizer Bar – Turf/CA 2, 2 Plus, 6, and Transportation Gas | 6-25 |

SECTION 7 – ELECTRICAL SYSTEM – EFI GASOLINE VEHICLES

| | |
|--|------|
| Wiring, Fuses, and Diodes, Key and Pedal Start – Villager 6 | 7-3 |
| Wiring, Fuses, and Diodes, Key and Pedal Start – Villager 8 | 7-5 |
| Starter/Generator, Key and Pedal Start – EFI | 7-7 |
| Starter/Generator Mounting – ECH440 | 7-9 |
| Kit, Battery Terminal Adapter (Side-Post to Top-Post) – EFI | 7-11 |
| Electrical Component Box, Key-Start | 7-13 |
| Electrical Component Box, Pedal-Start | 7-15 |
| Forward/Reverse Shifter Switches, Key-Start – EFI, Villager 6, 8, 850, 850SE | 7-17 |
| Forward/Reverse Shifter Switches, Pedal-Start – EFI, Villager 6, 8, 850, 850SE | 7-19 |
| Top-Post Battery – Gasoline Utility Vehicles | 7-21 |

SECTION 8 – ENGINE (KOHLE ECH440)

| | |
|---|------|
| Tune-Up Parts | 8-3 |
| Engine and Engine Mounting | 8-5 |
| Engine Pan and Snubber Mounting | 8-7 |
| Blower Housing and Heat Shield – ECH440 | 8-9 |
| Ignition Components and Flywheel – ECH440 | 8-11 |

CONTENTS

| | |
|---|------|
| Cylinder Head and Valve – ECH440 | 8-13 |
| Crankcase and Piston – ECH440 | 8-15 |
| Oil Sensor and Lubrication – ECH440 | 8-17 |
| Crankshaft – ECH440 | 8-19 |

SECTION 9 – FUEL SYSTEM – EFI

| | |
|--|------|
| Fuel Tank with Pump, Top Fill – EFI | 9-3 |
| Carbon Canister – EFI | 9-5 |
| Throttle Body and Mounting | 9-7 |
| Governor Bracket and Cover – EFI | 9-9 |
| Governor and Accelerator Cables – EFI | 9-11 |
| Air Intake Elbow – EFI | 9-13 |
| Air Filter System and Intake Hose – EFI, LWB Utility/Trans | 9-15 |

SECTION 10 – EXHAUST SYSTEM – ECH440

| | |
|----------------------|------|
| Exhaust System | 10-3 |
|----------------------|------|

SECTION 11 – DRIVE BELT AND CLUTCHES – EFI GASOLINE VEHICLES

| | |
|---|------|
| Drive Belts – EFI | 11-3 |
| Drive Clutch – Key-Start Vehicles | 11-5 |
| Drive Clutch – Pedal-Start Vehicles | 11-7 |
| Driven Clutch – Key Start and Pedal Start | 11-9 |

SECTION 12 – TRANSAXLE (FUJI ED65) – EFI GASOLINE VEHICLES

| | |
|---|-------|
| Forward/Reverse Shifter – EFI Villager 6, 8, 850, 850SE | 12-3 |
| Shifter Cable – Villager 6, XRT850SE | 12-5 |
| Shifter Cable – Villager 8 | 12-7 |
| Shift Lever and Bracket – Key-Start Engines | 12-9 |
| Governor Arm and Brackets – Utility Vehicles | 12-11 |
| Transaxle (ED65), Limited Slip – Page 1 of 3 | 12-13 |
| Transaxle (ED65), Open – Page 1 of 3 | 12-15 |
| Transaxle (ED65), Limited Slip and Open – Page 2 of 3 | 12-17 |
| Transaxle (ED65), Limited Slip – Page 3 of 3 | 12-19 |
| Transaxle (ED65), Open – Page 3 of 3 | 12-21 |
| Hub, Rear | 12-23 |

SECTION 13 – ELECTRICAL SYSTEM, ELECTRIC VEHICLES WITH IQ PLUS CHARGER

| | |
|--|------|
| Motor Controller Output Regulator (MCOR) | 13-3 |
|--|------|

CONTENTS

| | |
|---|-------|
| Wiring – Villager 6 and TransPorter IQ Plus Electric | 13-5 |
| Wiring – Villager 8 IQ Plus Electric | 13-7 |
| Battery Charger Receptacle | 13-9 |
| Tow/Run Switch – IQ Plus Vehicles | 13-11 |
| Batteries, 6-Volt, Standard Duty, JCI | 13-13 |
| Batteries, 6-Volt, Heavy Duty, Trojan | 13-15 |
| Single Point Watering System (SPWS) | 13-17 |
| Hand Pump and Deionizer (Battery-Powered Quality Light) | 13-19 |
| Computer, Controller, and Solenoid – for Trojan Batteries | 13-21 |
| Ferrite Beads, CE | 13-23 |

SECTION 14 – ELECTRICAL SYSTEM, ELECTRIC VEHICLES WITH HIGH-FREQUENCY CHARGER

| | |
|---|-------|
| Motor Controller Output Regulator (MCOR) | 14-3 |
| Wiring – Villager 6 Electric with High-Freq. Charger | 14-5 |
| Wiring – Villager 8 Electric with High-Freq. Charger | 14-7 |
| Tow/Run Switch – IQ Plus Vehicles | 14-9 |
| Batteries, 6-Volt, Standard Duty, JCI | 14-11 |
| Batteries, 6-Volt, Heavy Duty, Trojan | 14-13 |
| Single Point Watering System (SPWS) | 14-15 |
| Hand Pump and Deionizer (Battery-Powered Quality Light) | 14-17 |
| Computer, Controller, and Solenoid – High-Freq. Charger | 14-19 |
| Ferrite Beads, CE | 14-21 |

SECTION 15 – MOTOR (MODEL DA5-4006) – IQ PLUS

| | |
|--|------|
| Motor (Model DA5-4006) – IQ Plus | 15-3 |
|--|------|

SECTION 16 – TRANSAXLE – ELECTRIC VEHICLES

| | |
|--|------|
| Transaxle – Electric Vehicles | 16-3 |
| Differential Guard – Electric Vehicles | 16-5 |

SECTION 17 – BATTERY CHARGERS – IQ PLUS

| | |
|--|-------|
| IQ Plus Battery Charger (Models 25730-11,-18,-19), Domestic | 17-3 |
| IQ Plus Battery Charger (Models 25880-11 and -18), International | 17-5 |
| Onboard IQ Plus Battery Charger (Model 25260-50), Domestic | 17-7 |
| Onboard IQ Plus Battery Charger (Model 25660-50), International | 17-9 |
| Onboard IQ Plus Charger and Cord Reel Mounting | 17-11 |

CONTENTS

SECTION 18 – BATTERY CHARGER – HIGH-FREQUENCY

| | |
|--|------|
| High-Frequency Battery Charger – Onboard | 18-3 |
| Cord Reels, Onboard – High-Frequency Charger | 18-5 |
| Charger Mounting – Onboard High-Freq. | 18-7 |

SECTION 19 – MAINTENANCE AND SERVICE TOOLS

| | |
|--|-------|
| Maintenance and Service Tools | 19-3 |
| Maintenance and Service Tools, Continued | 19-5 |
| Maintenance and Service Tools, Continued | 19-7 |
| Maintenance and Service Tools, Continued | 19-9 |
| Maintenance and Service Tools, Continued | 19-11 |

SECTION i – INDEX

BODY AND TRIM

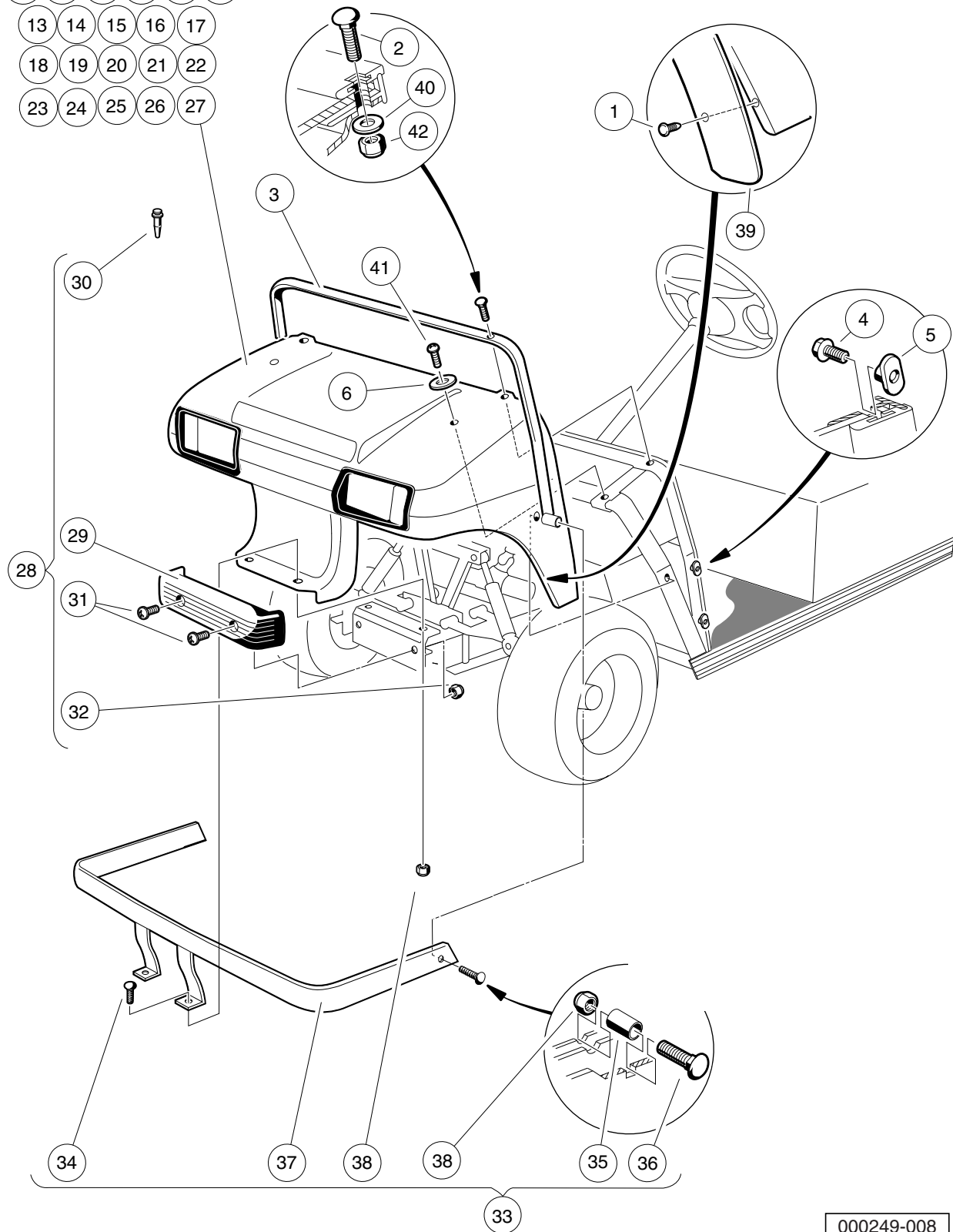
1

G

E

1
G
E

- 7 8 9 10 11 12
- 13 14 15 16 17
- 18 19 20 21 22
- 23 24 25 26 27



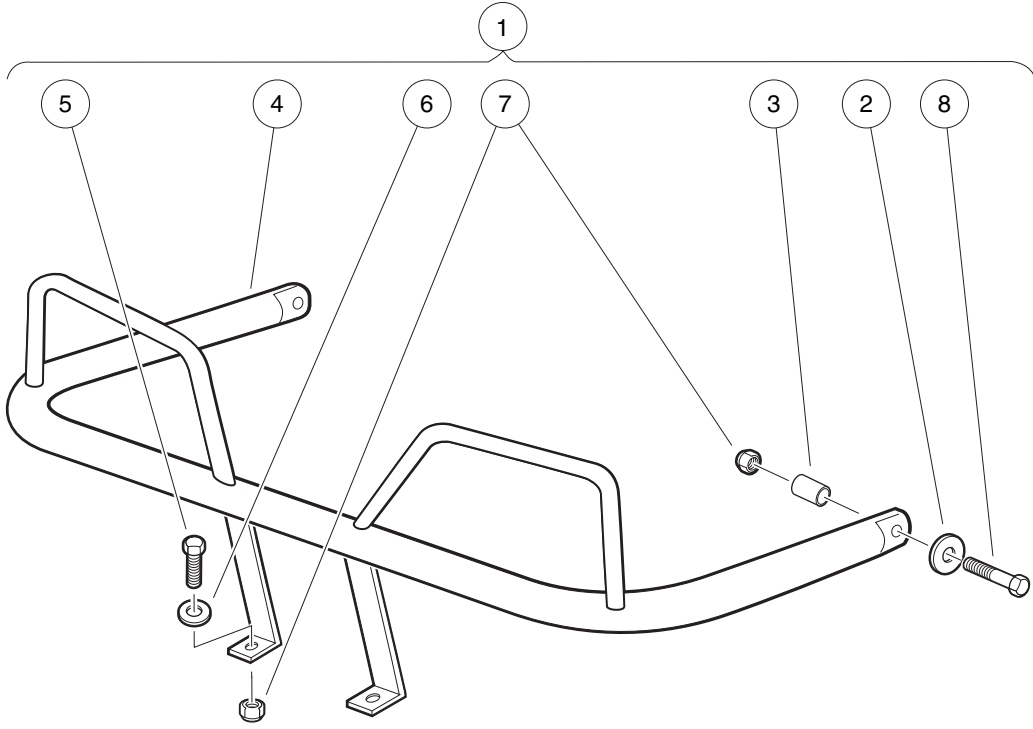
000249-008

FRONT BODY AND TRIM – TURF, UTILITY, & TRANSPORTATION

| ITEM | PART NO. | DESCRIPTION | QTY |
|------|-----------|---|-----|
| | | 1 2 3 4 | |
| 1 | 1010434 | Barrel - Plastic | 12 |
| 2 | 1010435 | Bolt, Carriage, 5/16-18 X 1.00 | 2 |
| 3 | 1011014 | Trim, Cowl | 1 |
| 4 | 1011017 | Screw, #8-32 X 0.375 | 6 |
| 5 | 1011394 | T-Nut Package (Set of 4) | 1 |
| 6 | 1015075 | Washer, 5/16 Flat Type A | 2 |
| 7 | 101692501 | Cowl, TPO, Beige | 1 |
| 8 | 101692502 | Cowl, TPO, White | 1 |
| 9 | 101692504 | Cowl, Tpo -gray | 1 |
| 10 | 101692506 | Cowl, TPO, Red | 1 |
| 11 | 101692509 | Cowl, TPO, Pacific Blue (Royal Blue) | 1 |
| 12 | 101692510 | Cowl, TPO, Dark Green | 1 |
| 13 | 101692511 | Cowl, TPO, Black | 1 |
| 14 | 101692512 | Cowl, TPO, Classic Blue (Navy) | 1 |
| 15 | 101692513 | Cowl, TPO, Burgundy | 1 |
| 16 | 101692514 | Cowl, TPO, Dark Gray | 1 |
| 17 | 101692515 | Cowl, TPO, Safety Yellow | 1 |
| 18 | 101693901 | Cowl with Headlight Opening, TPO, Beige | 1 |
| 19 | 101693902 | Cowl with Headlight Opening, TPO, White | 1 |
| 20 | 101693904 | Cowl with Headlight Opening, TPO, Gray | 1 |
| 21 | 101693906 | Cowl with Headlight Opening, TPO, Red | 1 |
| 22 | 101693909 | Cowl with Headlight Opening, TPO, Dark Green | 1 |
| 23 | 101693910 | Cowl with Headlight Opening, TPO, Black | 1 |
| 24 | 101693911 | Cowl with Headlight Opening, TPO, Classic Blue (Navy) | 1 |
| 25 | 101693912 | Cowl with Headlight Opening, TPO, Burgundy | 1 |
| 26 | 101693913 | Cowl with Headlight Opening, TPO, Dark Gray | 1 |
| 27 | 101693914 | Cowl with Headlight Opening, TPO, Safety Yellow | 1 |
| 28 | 1017080 | Kit, Front Bumper (includes items 29 through 32) | 1 |
| 29 | 1016868 | Front Bumper | 1 |
| 30 | 1016967 | Blind Rivet, Push Type | 2 |
| 31 | 7251 | Screw, 5/16-18 x 1.0 Truss-Head | 2 |
| 32 | 7473 | Locknut, 5/16-18 Nylon Insert | 2 |
| 33 | 101734802 | Kit, Heavy-Duty Bumper (includes items 34 through 38) | 1 |
| 34 | 1010435 | Bolt, Carriage, 5/16-18 X 1.00 | 2 |
| 35 | 1010546 | Spacer | 2 |
| 36 | 1015405 | Bolt, Carriage, 5/16-18 X 2.0 | 2 |
| 37 | N/A | Weldment, Heavy Duty Bumper | 1 |
| 38 | 7473 | Locknut, 5/16-18 Nylon Insert | 4 |
| 39 | 101870401 | Fender Extrusion | 2 |
| 40 | 1241 | Washer, 5/16 Type A Flat | 2 |
| 41 | 7251 | Screw, 5/16-18 x 1.0 Truss-Head | 2 |
| 42 | 7473 | Locknut, 5/16-18 Nylon Insert | 2 |

1
G
E

1
G
E



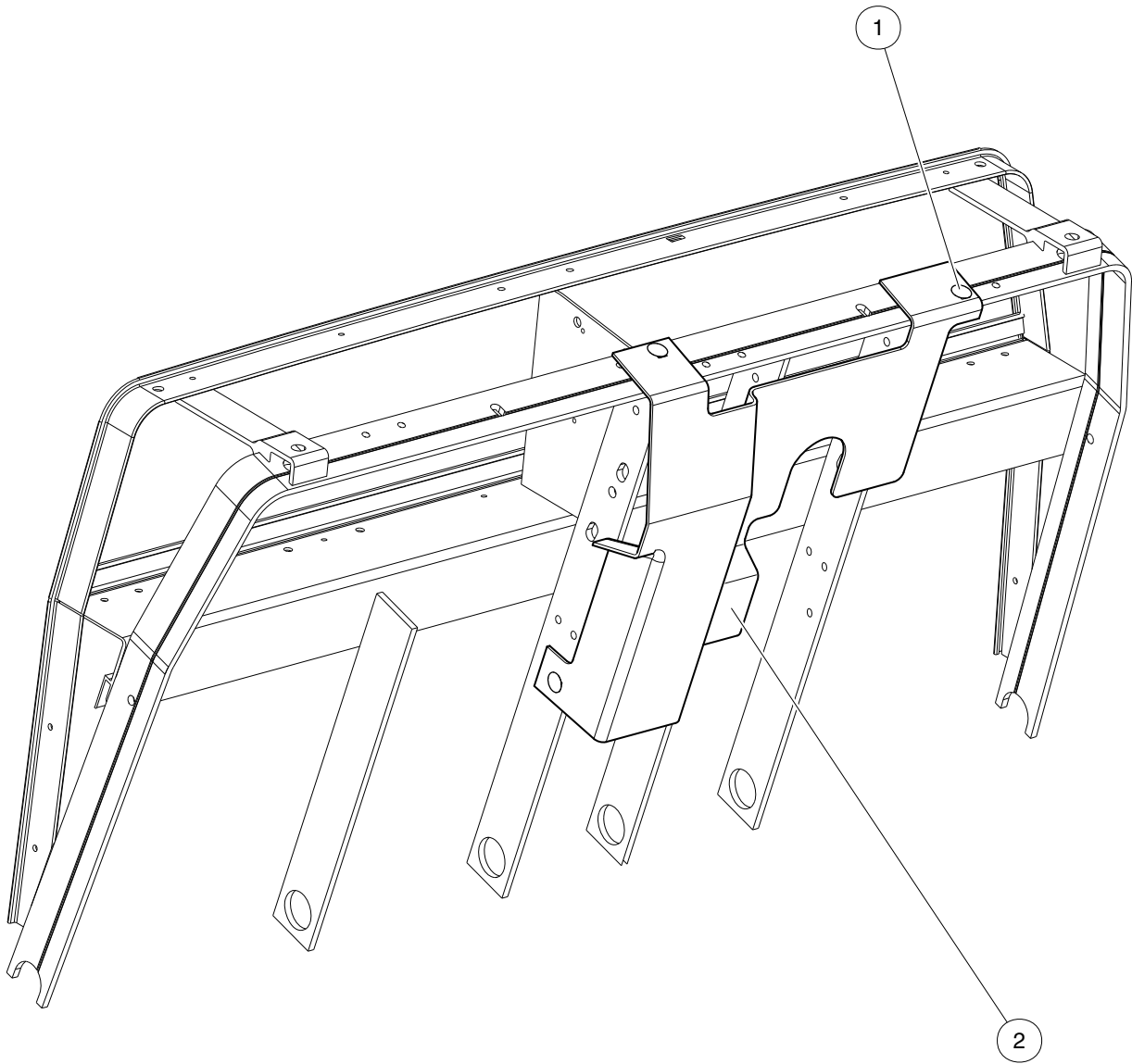
001238-001

BRUSH GUARD KIT – DS, UTILITY, & VILLAGER

| ITEM | PART NO. | DESCRIPTION | QTY |
|------|-----------|--|-----|
| | | 1 2 3 4 | |
| 1 | SVP143902 | Kit, Brush Guard, Heavy-Duty, DS/Utility/Villager (includes items 2 through 8) | 1 |
| 2 | 1011578 | Washer, 5/16 Type B Flat | 2 |
| 3 | 1015608 | Tube Spacer, Hydraulic Cylinder | 2 |
| 4 | 103895401 | Weldment, Brush Guard, Hd | 1 |
| 5 | 1218 | Screw, 5/16-18 X 1.25 Hex-Head Cap | 2 |
| 6 | 1241 | Washer, 5/16 Type A Flat | 2 |
| 7 | 7473 | Locknut, 5/16-18 Nylon Insert | 4 |
| 8 | 8935 | Screw, 5/16-18 X 2.25 Hex-Head Cap | 2 |



1
G
E



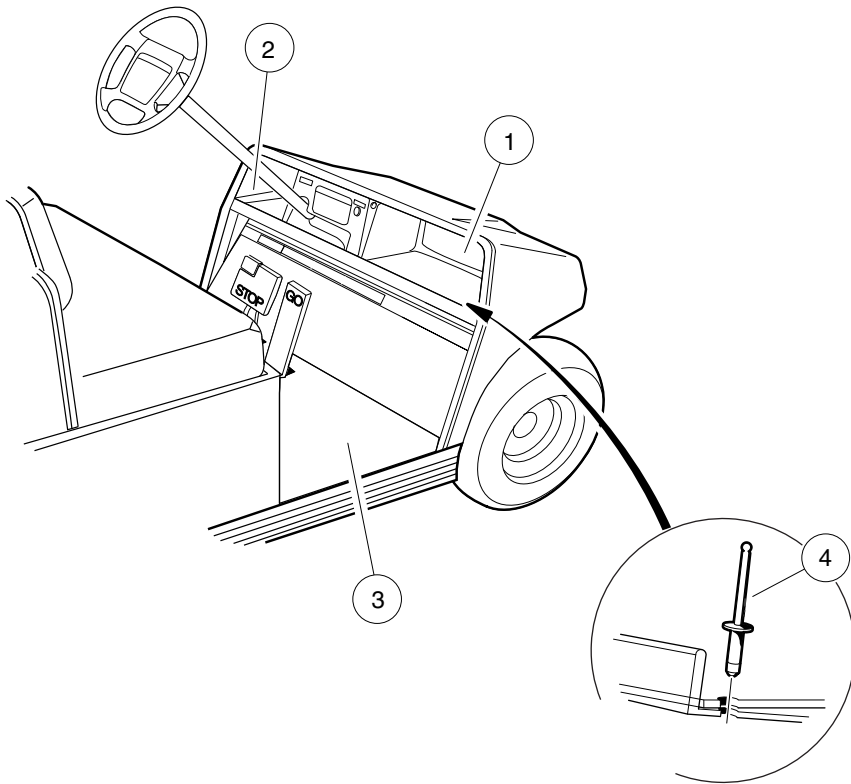
000593-002

SPLASH GUARD – GASOLINE VEHICLES ONLY

| ITEM | PART NO. | DESCRIPTION | QTY |
|------|-----------|-----------------------------------|-----|
| 1 | 1010434 | 1 2 3 4 Barrel - Plastic | 3 |
| 2 | 103174401 | Splash Guard | 1 |



1
G
E



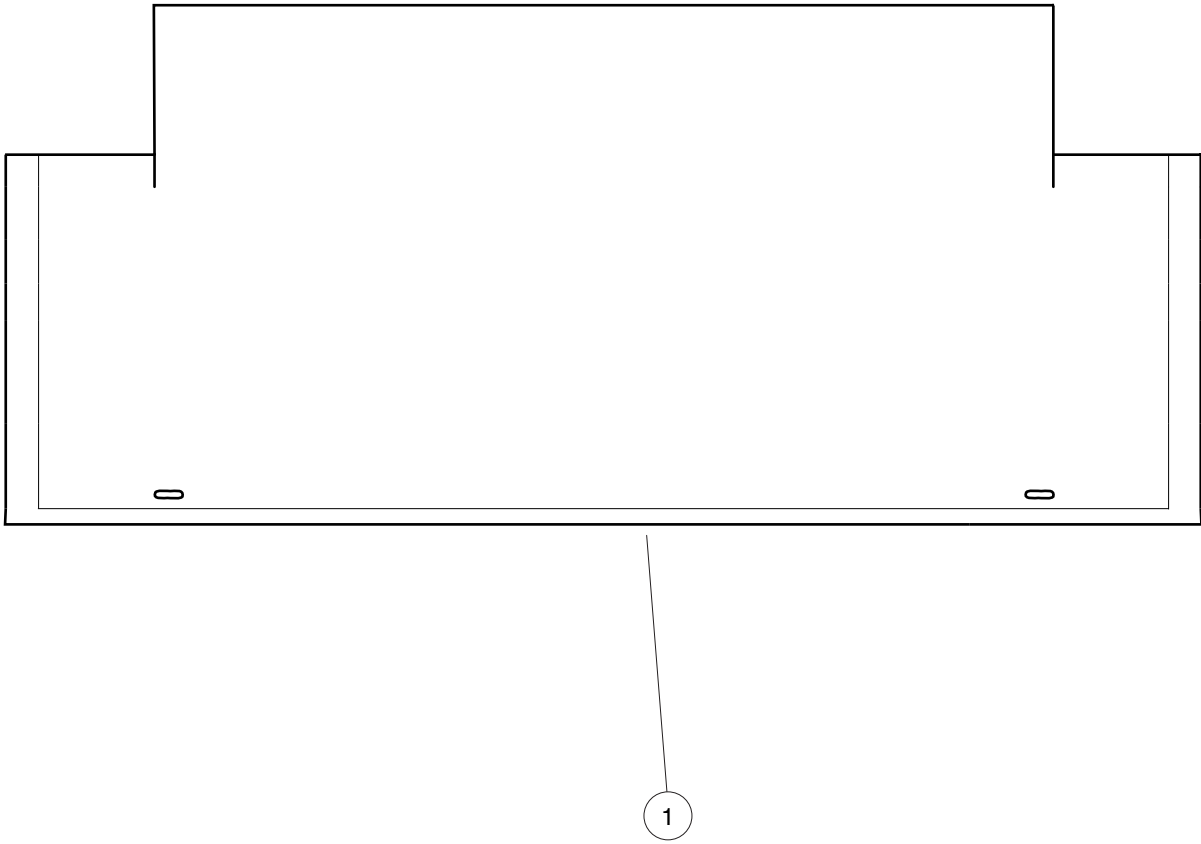
000252-002

DASH POCKETS AND FLOORMAT

| ITEM | PART NO. | DESCRIPTION | QTY |
|------|-----------|---|-----|
| | | 1 2 3 4 | |
| 1 | 1013343 | Dash Component, Passenger-Side, Black | 1 |
| 2 | 1013344 | Dash Component, Driver-Side | 1 |
| 3 | 101503202 | Floormat | 1 |
| 4 | 7973 | Rivet, 3/16 X .400 Blind | 5 |

1
G
E

1
G
E



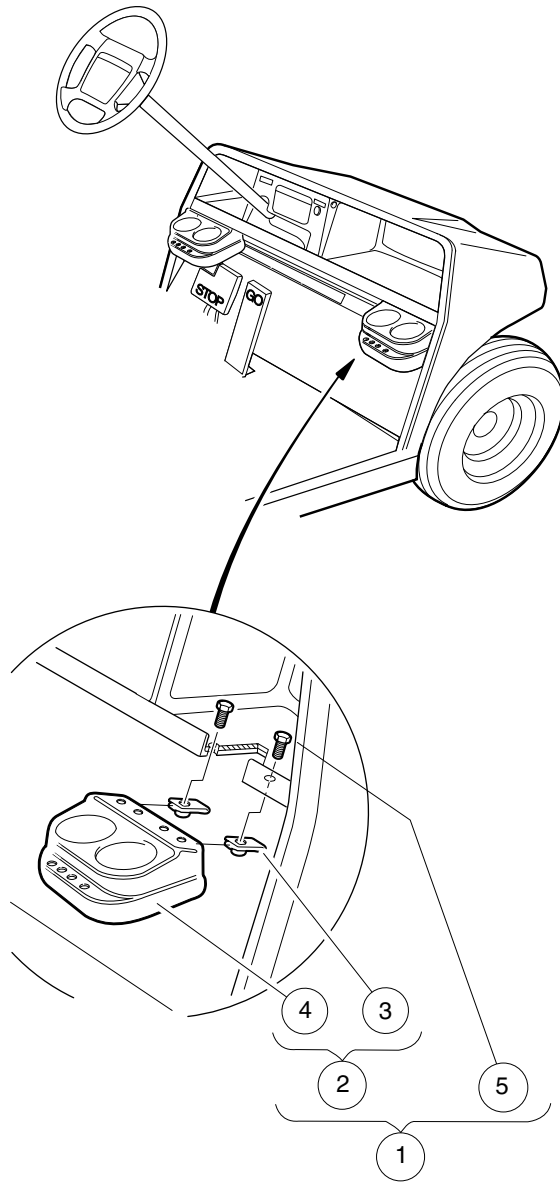
001281-001

FLOORMAT, REAR – VILLAGER & TRANSPORTATION VEHICLES

| ITEM | PART NO. | DESCRIPTION | QTY |
|------|-----------|--|-----|
| 1 | 103952201 | 1 2 3 4 Floor Mat, Ds/utl, Rear, Limo | A/R |

1
G
E

1
G
E



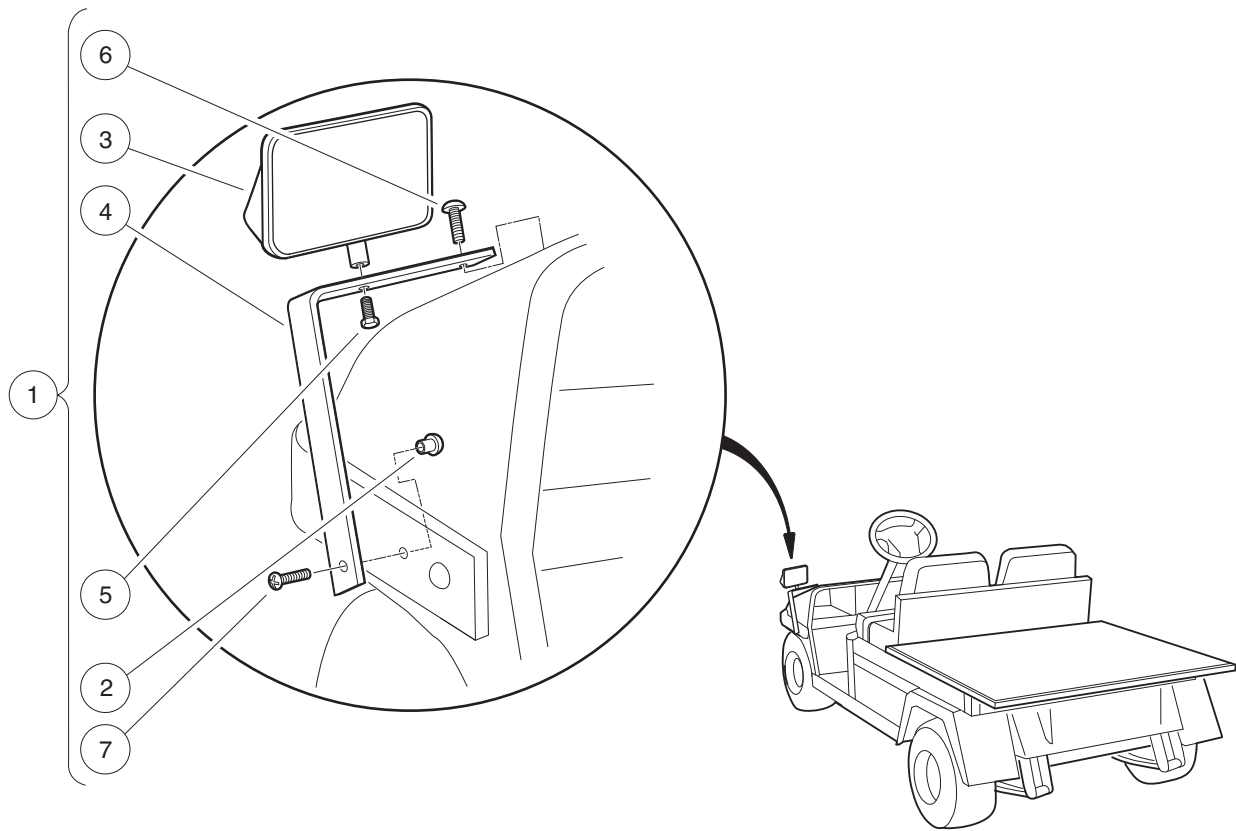
000253-002

BEVERAGE HOLDER – DUAL

| ITEM | PART NO. | DESCRIPTION | QTY |
|------|-----------|---|-----|
| | | 1 2 3 4 | |
| 1 | 101708301 | Drink Holder Kit (includes items 2 through 5) | 2 |
| 2 | 1016811 | Holder, Dual Cup (includes items 3 and 4) | 1 |
| 3 | 1016952 | U-Nut, 1/4-20 | 2 |
| 4 | N/A | Cup Holder, Dual | 1 |
| 5 | 7847 | Screw, 1/4-20 X 0.75 Hex-Head Cap | 2 |

1
G
E

1
G
E

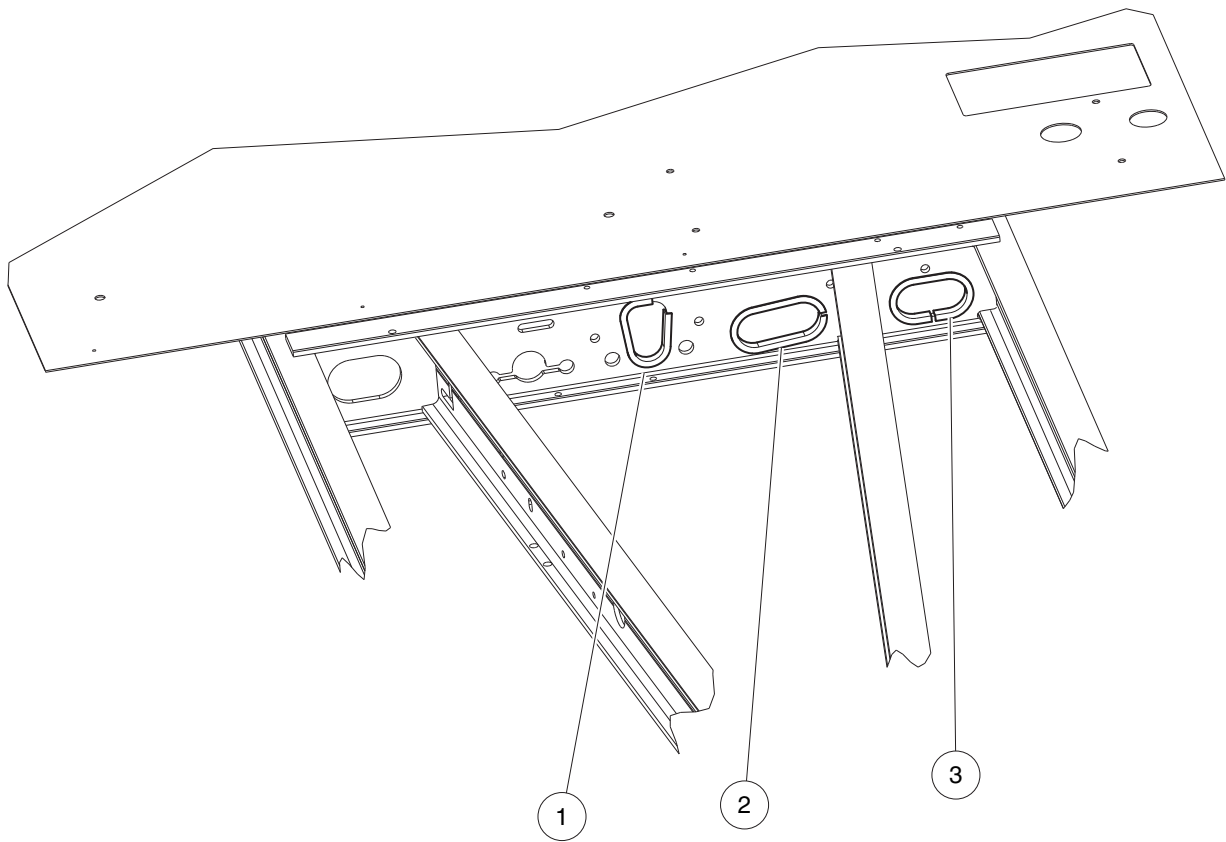


001211-001

MIRROR, REAR-VIEW – WITHOUT CAB

| ITEM | PART NO. | DESCRIPTION | QTY |
|---|----------|---|-----|
| | | 1 2 3 4 | |
| 1 | 1013846 | Kit, Rear Mirror, West Coast (includes items 2 through 7) | 1 |
| 2 | 1011878 | T-nut, 1/4-20 X .310 Capped | 1 |
| 3 | 1013824 | Rear View Mirror | 1 |
| 4 | 1013825 | Mirror Mounting Bracket | 1 |
| 5 | 7173 | Screw, 5/16-18 X 0.75, Hex-Head Cap | 1 |
| 6 | 7251 | Screw, 5/16-18 x 1.0 Truss-Head | 1 |
| 7 | 8248 | Screw, 1/4-20 X 0.75, Truss-Head Machine | 1 |
| <p style="margin-left: 40px;">Note: To install this kit, vehicle must be equipped with a heavy-duty front bumper.</p> | | | |

1
G
E



001221-001

GROMMETS, CHASSIS

| ITEM | PART NO. | DESCRIPTION | QTY |
|------|-----------|-----------------------------|-----|
| | | 1 2 3 4 | |
| 1 | 101806001 | I-beam Grommet - 5.5 | A/R |
| 2 | 101806002 | I-beam Grommet - 7.5 | A/R |
| 3 | 101806005 | I-beam Grommet - 6.75 | A/R |

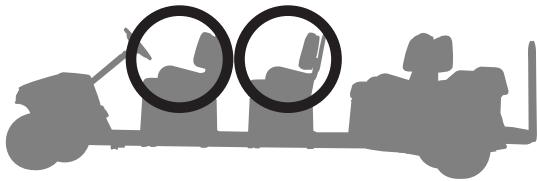
1

G

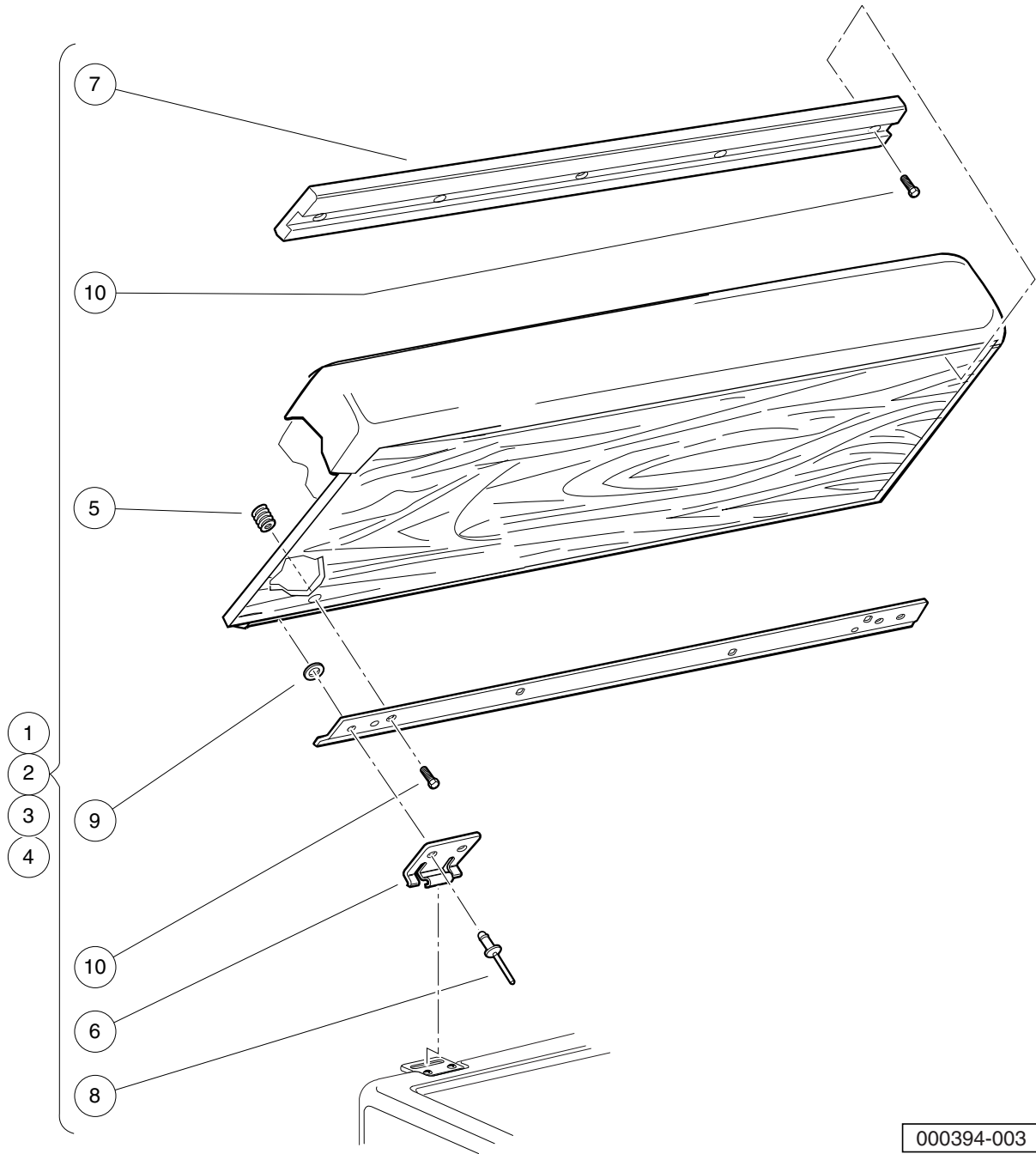
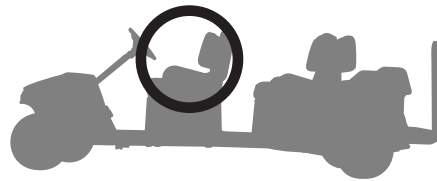
E

1
G
E

VILLAGER 8



VILLAGER 6



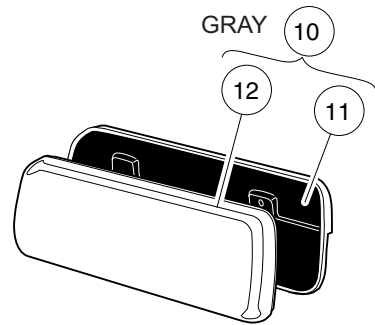
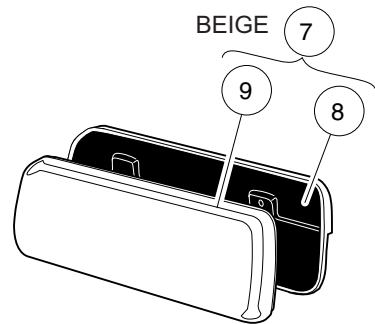
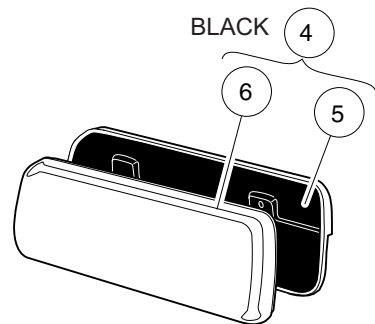
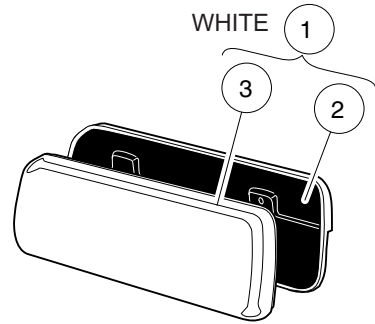
000394-003

FRONT AND CENTER SEAT BOTTOMS

| ITEM | PART NO. | DESCRIPTION | QTY |
|------|-----------|--|-----|
| | | 1 2 3 4 | |
| 1 | 101728201 | Seat Bottom Assembly, Front, White | 1 |
| 2 | 101728203 | Seat Bottom Assembly, Front, Beige | 1 |
| 3 | 101728210 | Seat Bottom Assembly, Front, Black | 1 |
| 4 | 101728213 | Seat Bottom Assembly, Rear, Gray (includes items 5 through 10) | 1 |
| 5 | 1010543 | Insert - Wood | 8 |
| 6 | 1011652 | Hinge Plate | 2 |
| 7 | 1013312 | Bumper, Seat, Long | 1 |
| 8 | 101880901 | Rivet, 3/16, Stainless-Steel, Pop | 4 |
| 9 | 101881701 | Washer, #8 Stainless-Steel Flat | 4 |
| 10 | 101954301 | Screw, 1/4-20 X 0.75 Hex-Head Cap | 8 |

1
G
E

1
G
E



000608-001

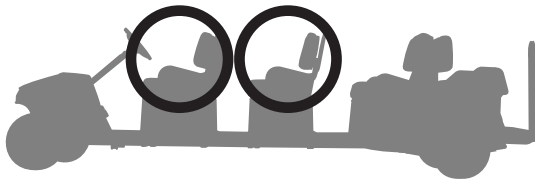
SEAT BACK ASSEMBLY

| ITEM | PART NO. | DESCRIPTION | QTY |
|------|-----------|---|-----|
| | | 1 2 3 4 | |
| 1 | 101677701 | Seat Back Assembly, White (includes items 2 and 3) | 1 |
| 2 | 1016751 | Cap, Seat Back | 1 |
| 3 | 101675512 | Vinyl Seat Back, White | 1 |
| 4 | 101677702 | Seat Back Assembly, Black (includes items 5 and 6) | 1 |
| 5 | 1016751 | Cap, Seat Back | 1 |
| 6 | 101675514 | Vinyl Seat Back, Black | 1 |
| 7 | 101677703 | Seat Back Assembly, Beige (includes items 8 and 9) | 1 |
| 8 | 1016751 | Cap, Seat Back | 1 |
| 9 | 101675511 | Vinyl Seat Back, Beige | 1 |
| 10 | 101677705 | Seat Back Assembly, Gray (includes items 11 and 12) | 1 |
| 11 | 1016751 | Cap, Seat Back | 1 |
| 12 | 101675515 | Vinyl Seat Back-nstd Svc | 1 |

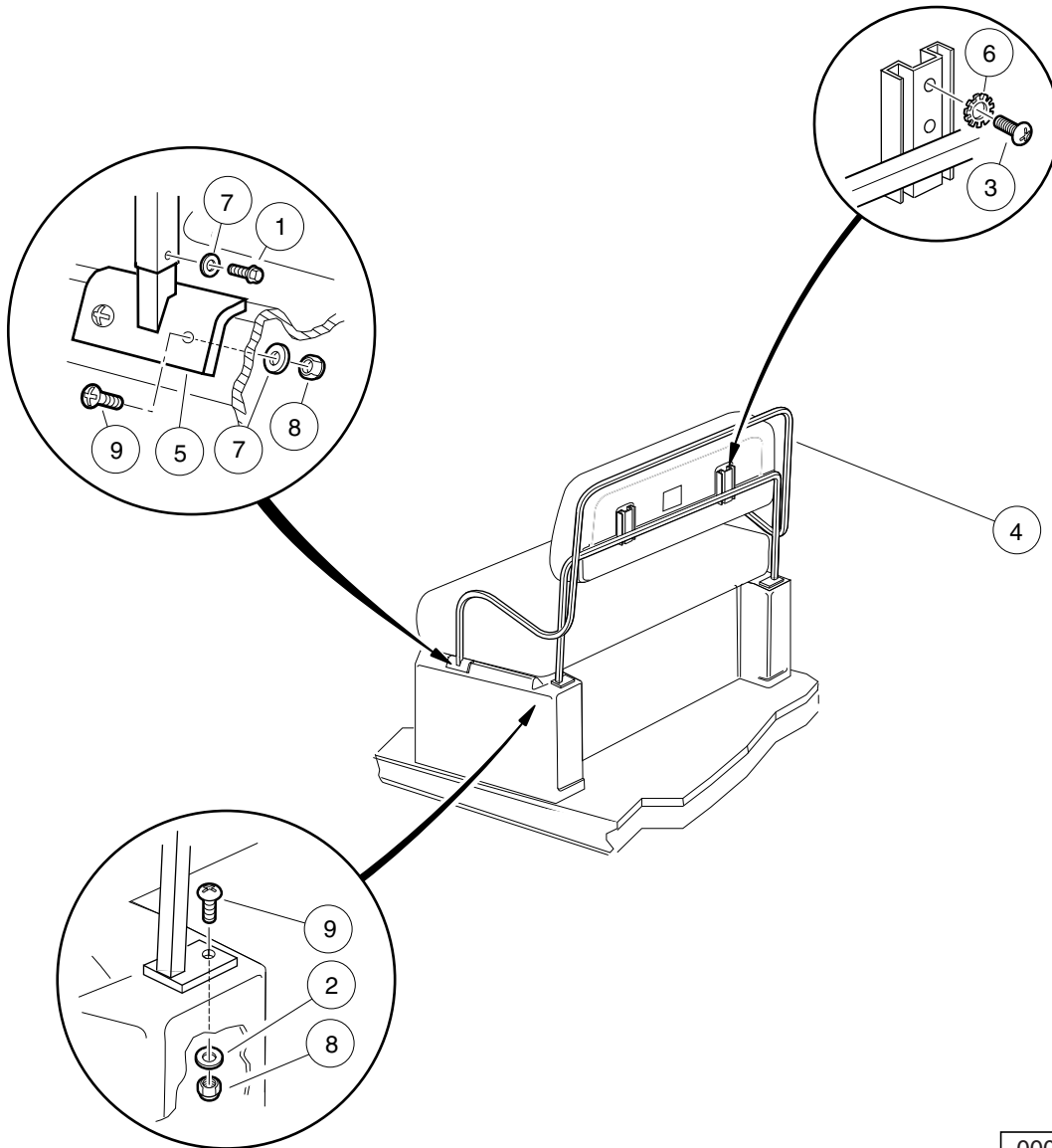
1
G
E

1
G
E

VILLAGER 8



VILLAGER 6



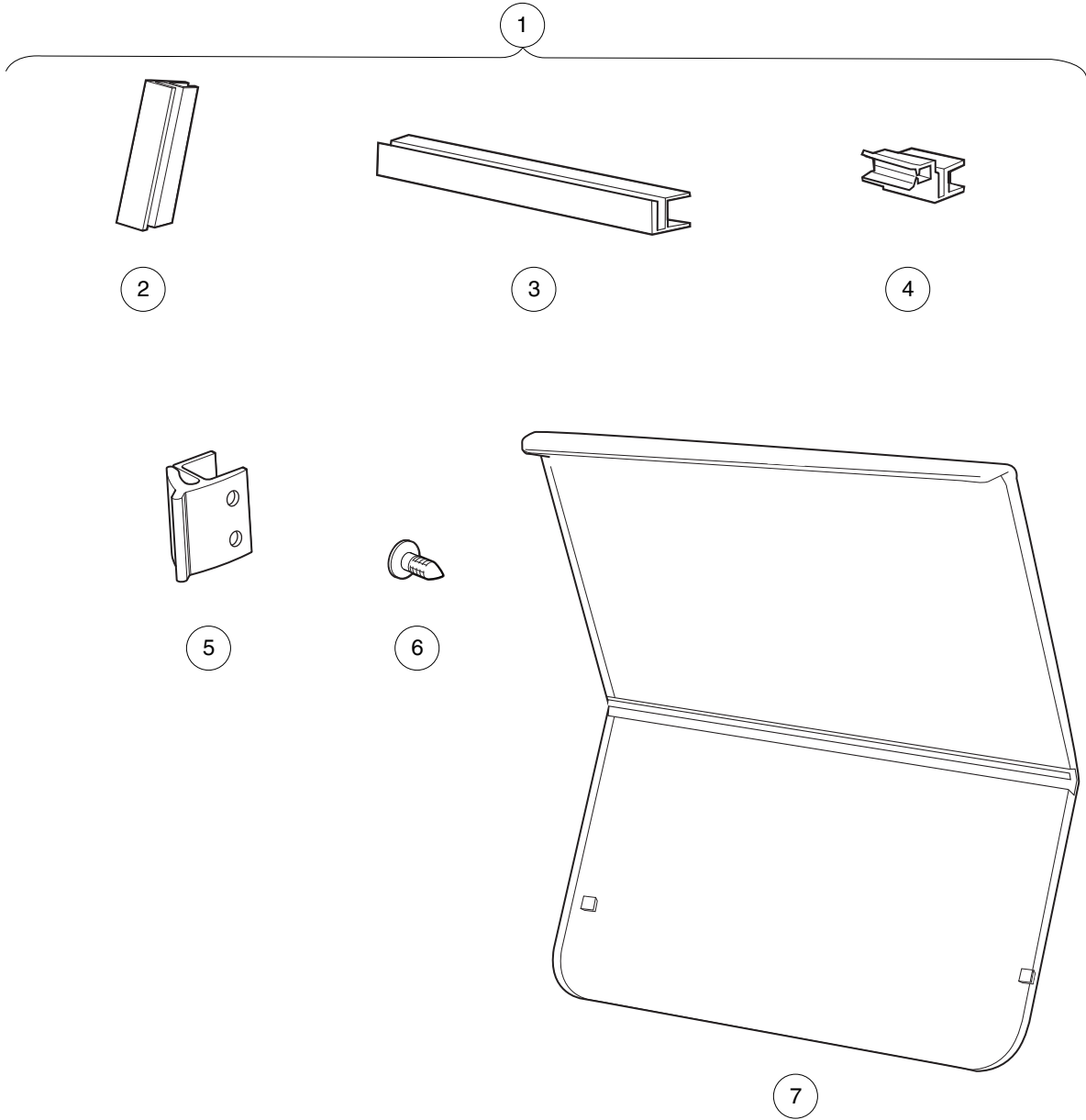
000396-003

ARMRESTS, FRONT – VILLAGER 6 & 8 VEHICLES

| ITEM | PART NO. | DESCRIPTION | QTY |
|------|-----------|--|-----|
| | | 1 2 3 4 | |
| 1 | 1012285 | Screw, 1/4 X 0.625 Hex-Head | 4 |
| 2 | 1014306 | Washer, 1/4" Type B Flat | 2 |
| 3 | 1015902 | Screw, 1/4-20 X 1.25 Truss-Head | 4 |
| 4 | 1017259 | Armrest Weld Asm Front | 1 |
| 5 | 1017310 | Armrest Mounting Weldment | 2 |
| 6 | 101946201 | Washer, Lock, 0.250 External-Tooth | 4 |
| 7 | 332 | Washer, 1/4 Type A Narrow Flat | 6 |
| 8 | 8233 | Locknut, 1/4-20, Nylon Insert | 6 |
| 9 | 8251 | Screw, 1/4-20 X 1.0 Truss-Head Machine | 6 |

1
G
E

1
G
E



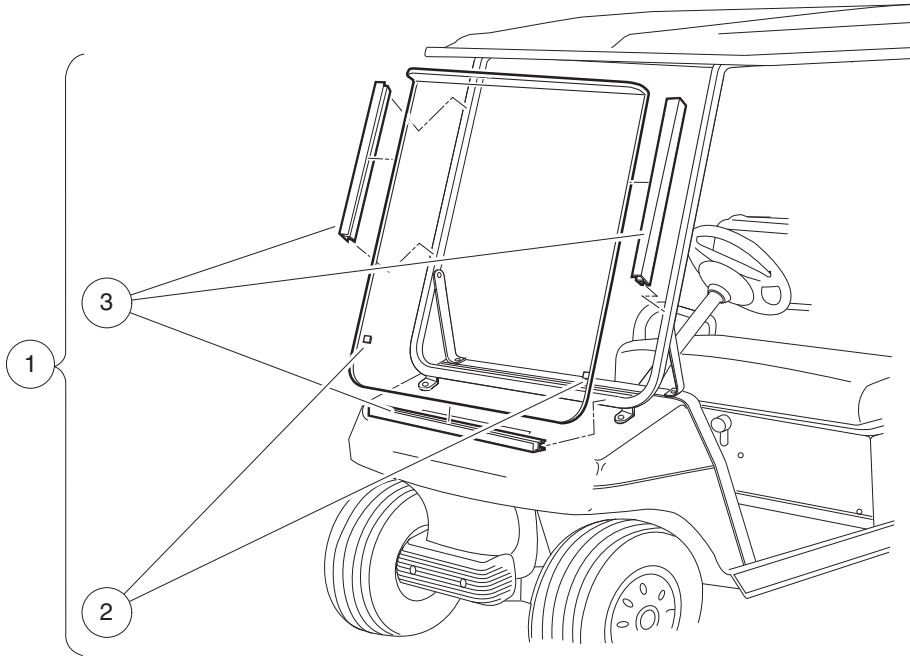
001257-001

WINDSHIELD, HINGED

| ITEM | PART NO. | DESCRIPTION | QTY |
|------|-----------|--|-----|
| | | 1 2 3 4 | |
| 1 | 105077801 | Kit, Hinged Ws, Util, Clear (includes items 2 through 7) | 1 |
| 2 | 102005701 | 5" Plastic Extrusion | 4 |
| 3 | 102163001 | Windshield Channel | 1 |
| 4 | 102163101 | Channel with Receiver Clip | 2 |
| 5 | 103677101 | W/s, Rubber, Clip Retainer | 2 |
| 6 | 103754901 | Fastener, Barrel - .610 X .25 | 8 |
| 7 | 105077701 | Ws, Hinged, Utility, Clear | 1 |

1
G
E

1
G
E



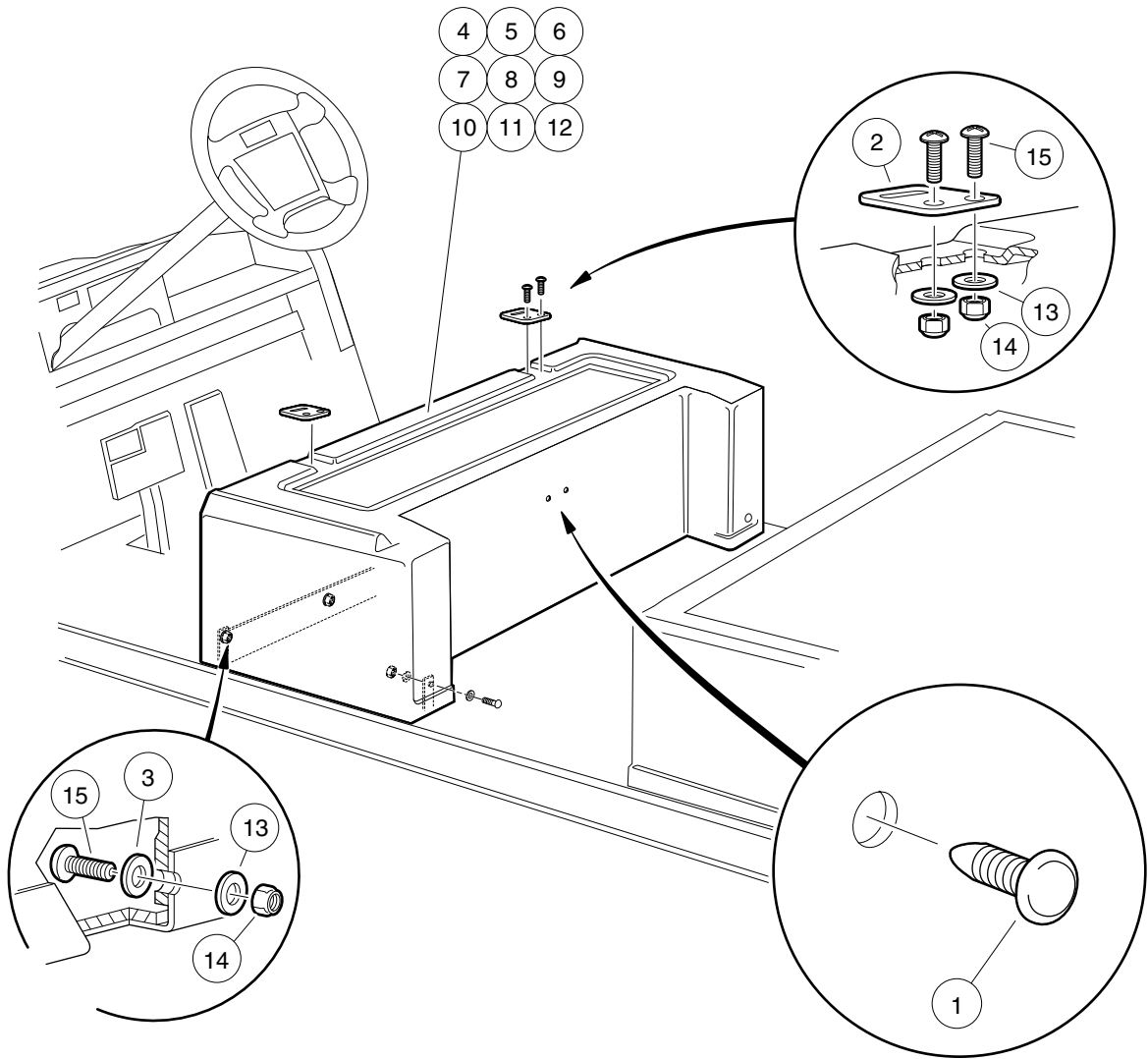
001204-001

WINDSHIELD, NON-HINGED

| ITEM | PART NO. | DESCRIPTION | QTY |
|------|-----------|---|-----|
| | | 1 2 3 4 | |
| 1 | 105074901 | Windshield One-piece (includes items 2 and 3) | 1 |
| 2 | 1011897 | Bumper, Protective | 2 |
| 3 | 101444101 | 21" Plastic Extrusion | 3 |

1
G
E

1
G
E



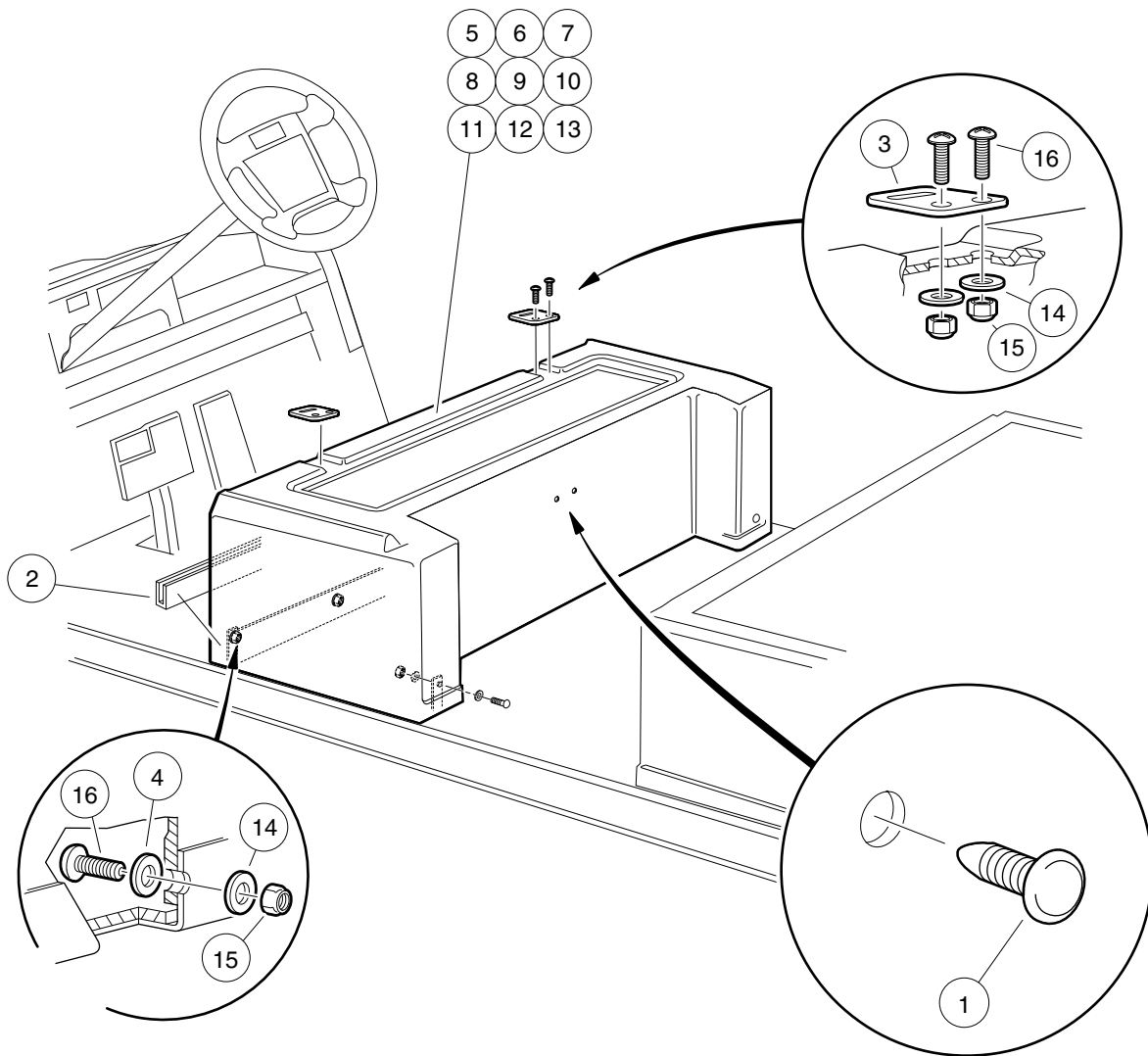
000389-004

CENTER BODY – VILLAGER 6 GASOLINE VEHICLE

| ITEM | PART NO. | DESCRIPTION | QTY |
|------|-----------|--|-----|
| | | 1 2 3 4 | |
| 1 | 1010434 | Barrel - Plastic | 2 |
| 2 | 1012412 | Body, Hinge Plate | 2 |
| 3 | 1012581 | Washer, 0.609-inch OD, Nylon Cup | 6 |
| 4 | 105005301 | Body, Center, Efi, Beige | 1 |
| 5 | 105005302 | Body, Center, Efi, Wht | 1 |
| 6 | 105005304 | Body, Center, Efi, Gray | 1 |
| 7 | 105005306 | Body, Center, Efi, Red | 1 |
| 8 | 105005308 | Body, Center, Efi, Pacific Bl | 1 |
| 9 | 105005309 | Body, Center, Efi, Dk Green | 1 |
| 10 | 105005310 | Body, Center, Efi, Black | 1 |
| 11 | 105005311 | Body, Center, Efi, C/blu | 1 |
| 12 | 105005312 | Body, Center, Efi, Burgundy | 1 |
| 13 | 332 | Washer, 1/4 Type A Narrow Flat | 10 |
| 14 | 8233 | Locknut, 1/4-20, Nylon Insert | 10 |
| 15 | 8251 | Screw, 1/4-20 X 1.0 Truss-Head Machine | 10 |

1
G
E

1
G
E



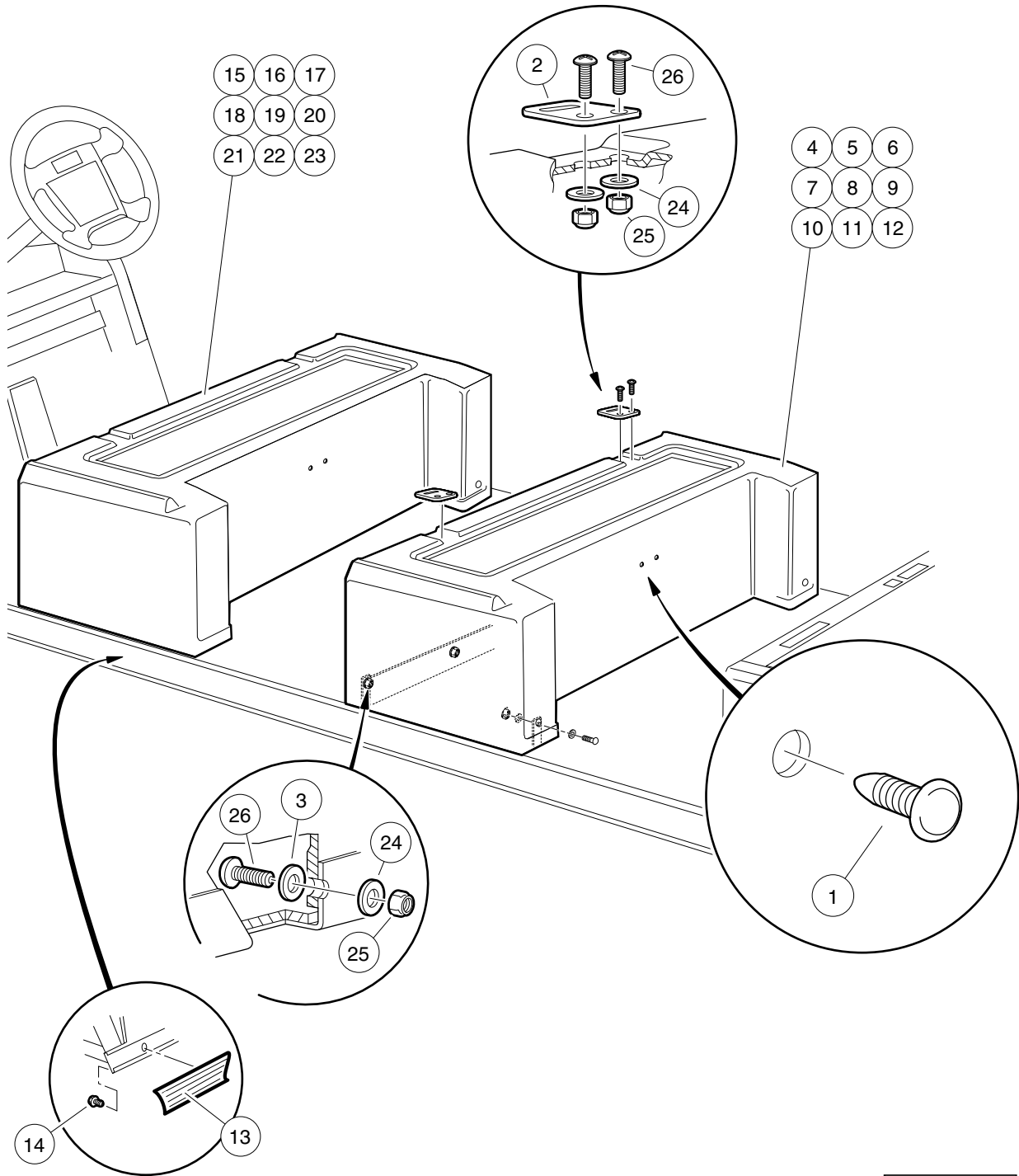
000389-005

CENTER BODY – VILLAGER 6 IQ PLUS VEHICLE

| ITEM | PART NO. | DESCRIPTION | QTY |
|------|-----------|--|-----|
| | | 1 2 3 4 | |
| 1 | 1010434 | Barrel - Plastic | 2 |
| 2 | 1010993 | Body Kick Plate | 1 |
| 3 | 1012412 | Body, Hinge Plate | 2 |
| 4 | 1012581 | Washer, 0.609-inch OD, Nylon Cup | 4 |
| 5 | 103274001 | Body, Center, Elec, Beige | 1 |
| 6 | 103274002 | Body, Center, Elec, Wht | 1 |
| 7 | 103274004 | Body, Center, Elec, Gray | 1 |
| 8 | 103274006 | Body, Center, Elec, Red | 1 |
| 9 | 103274008 | Body, Center, Elec, Pacific Bl | 1 |
| 10 | 103274009 | Body, Center, Elec, Dk Green | 1 |
| 11 | 103274010 | Body, Center, Elec, Black | 1 |
| 12 | 103274011 | Body, Center, Elec, C/blu | 1 |
| 13 | 103274012 | Body, Center, Elec, Burgundy | 1 |
| 14 | 332 | Washer, 1/4 Type A Narrow Flat | 8 |
| 15 | 8233 | Locknut, 1/4-20, Nylon Insert | 8 |
| 16 | 8251 | Screw, 1/4-20 X 1.0 Truss-Head Machine | 8 |

1
G
E

1
G
E



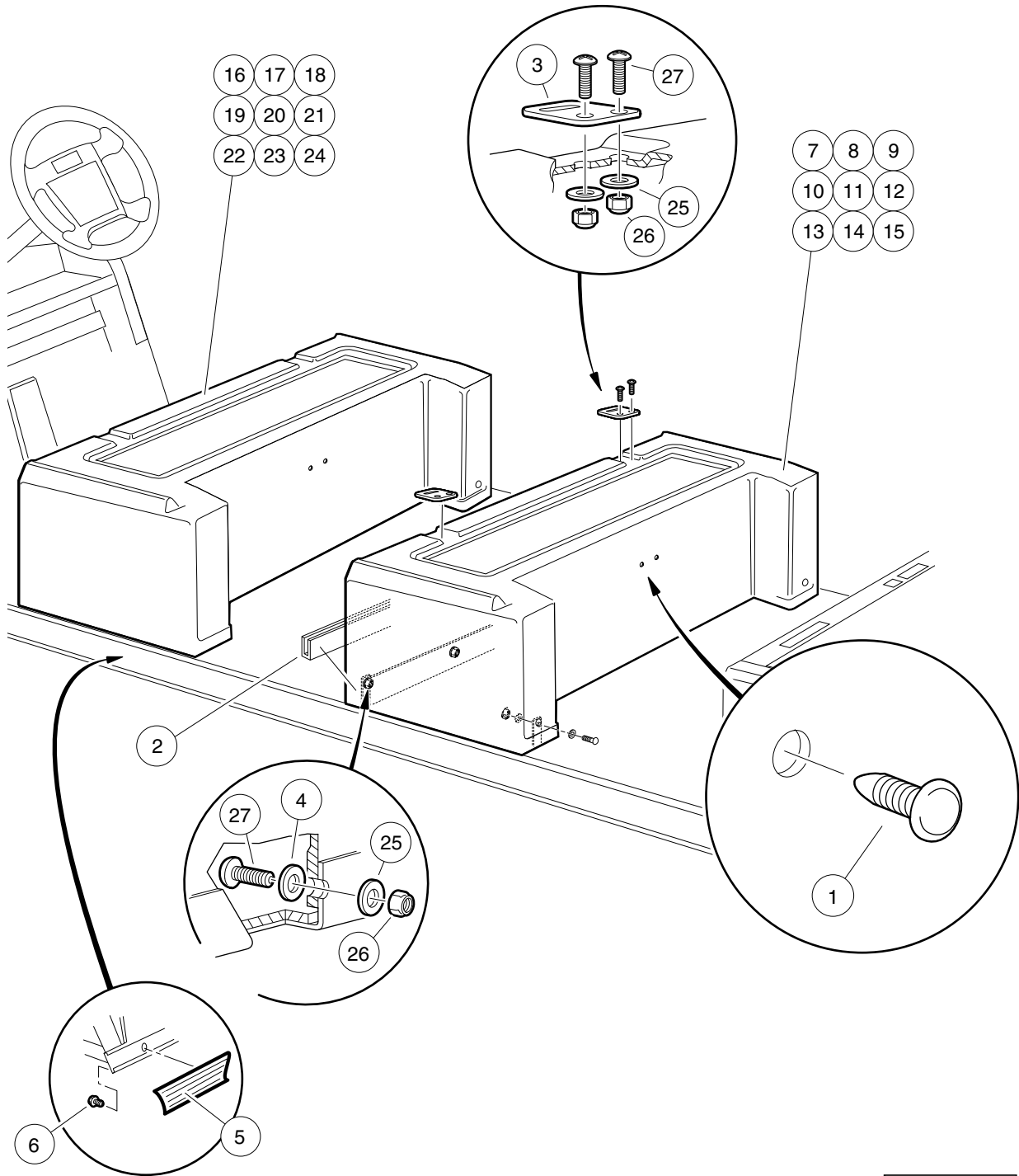
000390-003

CENTER BODIES – VILLAGER 8 GASOLINE VEHICLE

| ITEM | PART NO. | DESCRIPTION | QTY |
|------|-----------|--|-----|
| | | 1 2 3 4 | |
| 1 | 1010434 | Barrel - Plastic | 2 |
| 2 | 1012412 | Body, Hinge Plate | 2 |
| 3 | 1012581 | Washer, 0.609-inch OD, Nylon Cup | 6 |
| 4 | 101788201 | Body, Beige, Center | 1 |
| 5 | 101788202 | Body, White, Center | 1 |
| 6 | 101788204 | Body, Gray, Center | 1 |
| 7 | 101788206 | Body, Red, Center | 1 |
| 8 | 101788208 | Body, Pacific Blue, Center | 1 |
| 9 | 101788209 | Body, Dark Green, Center | 1 |
| 10 | 101788210 | Body, Black, Center | 1 |
| 11 | 101788211 | Body, Classic Blue, Center | 1 |
| 12 | 101788212 | Body, Burgundy, Center | 1 |
| 13 | 101791901 | Bumper Guard Vinyl Trim | 2 |
| 14 | 102310701 | Screw, #8-18 x 0.375, Hex-Head Washer | 8 |
| 15 | 105005301 | Body, Center, Efi, Beige | 1 |
| 16 | 105005302 | Body, Center, Efi, Wht | 1 |
| 17 | 105005304 | Body, Center, Efi, Gray | 1 |
| 18 | 105005306 | Body, Center, Efi, Red | 1 |
| 19 | 105005308 | Body, Center, Efi, Pacific Bl | 1 |
| 20 | 105005309 | Body, Center, Efi, Dk Green | 1 |
| 21 | 105005310 | Body, Center, Efi, Black | 1 |
| 22 | 105005311 | Body, Center, Efi, C/blu | 1 |
| 23 | 105005312 | Body, Center, Efi, Burgundy | 1 |
| 24 | 332 | Washer, 1/4 Type A Narrow Flat | 10 |
| 25 | 8233 | Locknut, 1/4-20, Nylon Insert | 10 |
| 26 | 8251 | Screw, 1/4-20 X 1.0 Truss-Head Machine | 10 |

1
G
E

1
G
E



000390-004

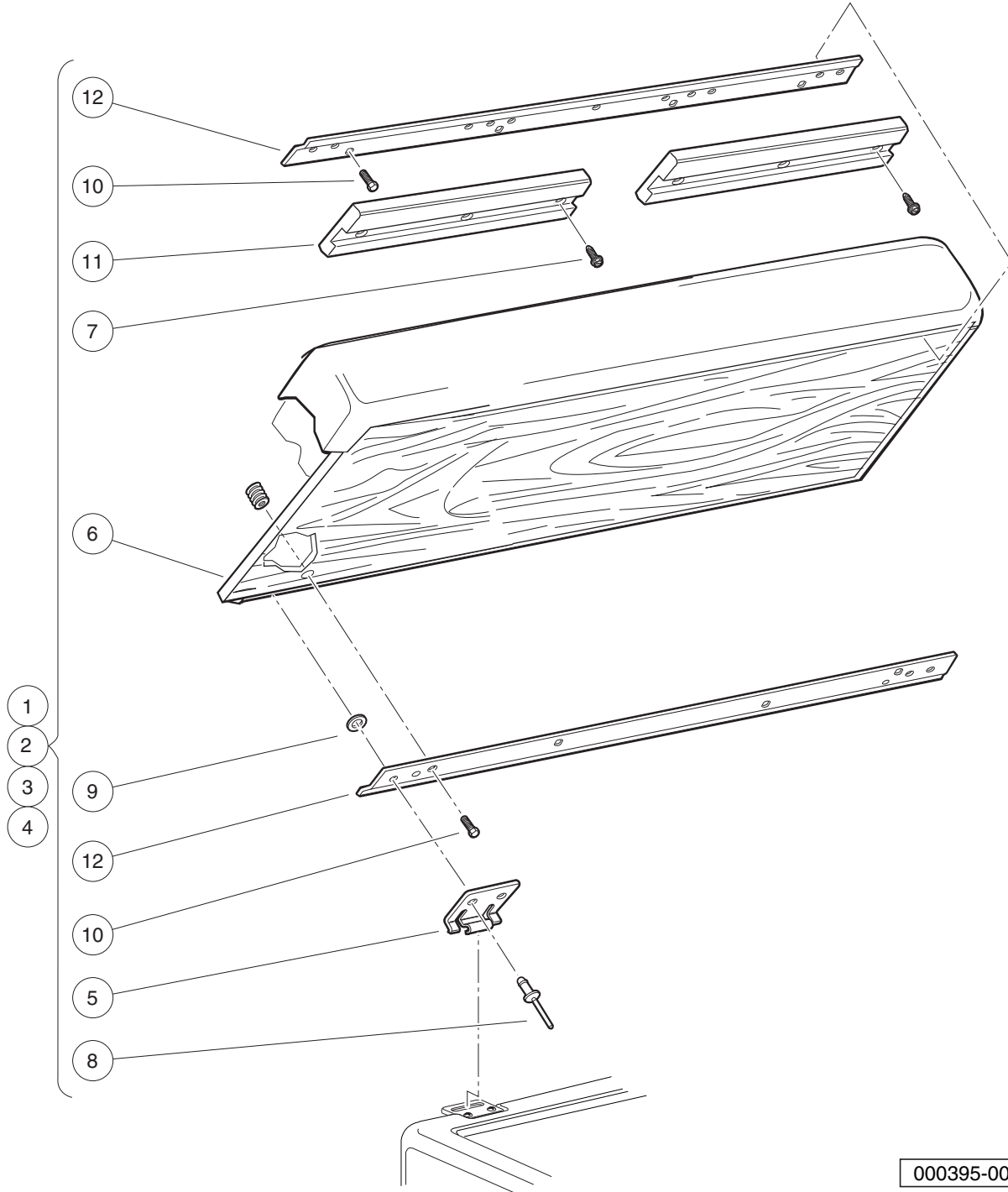
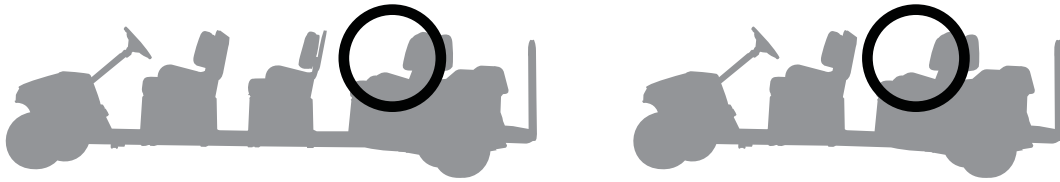
CENTER BODIES – VILLAGER 8 IQ PLUS VEHICLE

| ITEM | PART NO. | DESCRIPTION | QTY |
|------|-----------|--|-----|
| | | 1 2 3 4 | |
| 1 | 1010434 | Barrel - Plastic | 2 |
| 2 | 1010993 | Body Kick Plate | 2 |
| 3 | 1012412 | Body, Hinge Plate | 2 |
| 4 | 1012581 | Washer, 0.609-inch OD, Nylon Cup | 4 |
| 5 | 101791901 | Bumper Guard Vinyl Trim | 2 |
| 6 | 102310701 | Screw, #8-18 x 0.375, Hex-Head Washer | 8 |
| 7 | 102945501 | Body, Beige, Center | 1 |
| 8 | 102945502 | Body, White, Center | 1 |
| 9 | 102945504 | Body, Gray, Center | 1 |
| 10 | 102945506 | Body, Red, Center | 1 |
| 11 | 102945508 | Body, Pacific Blue, Center | 1 |
| 12 | 102945509 | Body, Dark Green, Center | 1 |
| 13 | 102945510 | Body, Black, Center | 1 |
| 14 | 102945511 | Body, Classic Blue, Center | 1 |
| 15 | 102945512 | Body, Burgundy, Center | 1 |
| 16 | 103274001 | Body, Center, Elec, Beige | 1 |
| 17 | 103274002 | Body, Center, Elec, Wht | 1 |
| 18 | 103274004 | Body, Center, Elec, Gray | 1 |
| 19 | 103274006 | Body, Center, Elec, Red | 1 |
| 20 | 103274008 | Body, Center, Elec, Pacific Bl | 1 |
| 21 | 103274009 | Body, Center, Elec, Dk Green | 1 |
| 22 | 103274010 | Body, Center, Elec, Black | 1 |
| 23 | 103274011 | Body, Center, Elec, C/blu | 1 |
| 24 | 103274012 | Body, Center, Elec, Burgundy | 1 |
| 25 | 332 | Washer, 1/4 Type A Narrow Flat | 8 |
| 26 | 8233 | Locknut, 1/4-20, Nylon Insert | 8 |
| 27 | 8251 | Screw, 1/4-20 X 1.0 Truss-Head Machine | 8 |

1
G
E

VILLAGER 8

VILLAGER 6



000395-004

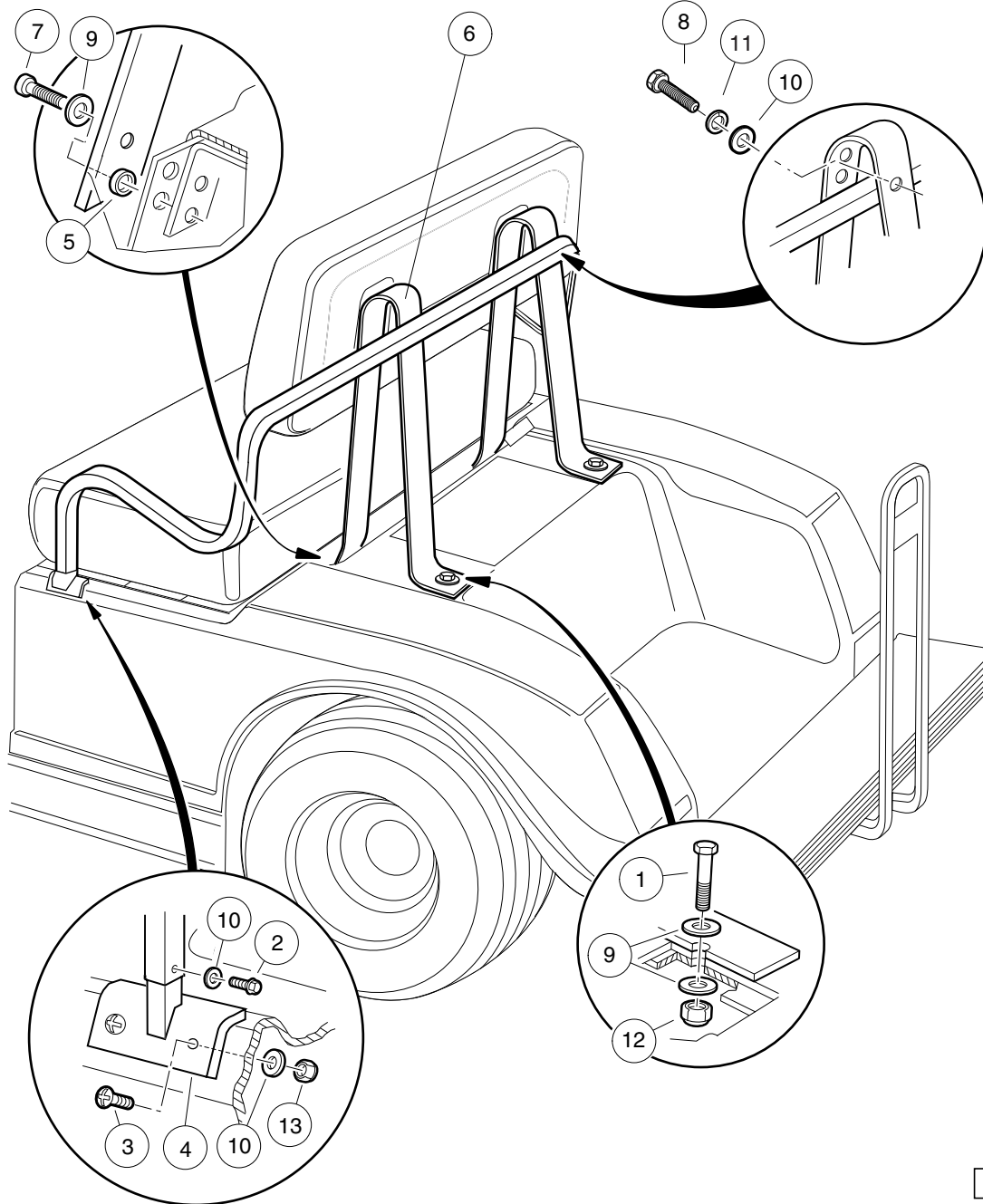
REAR, FORWARD-FACING SEAT BOTTOM

| ITEM | PART NO. | DESCRIPTION | QTY |
|------|-----------|--|-----|
| | | 1 2 3 4 | |
| 1 | 101728202 | Seat Bottom Assembly, Rear, White | 1 |
| 2 | 101728204 | Seat Bottom Assembly, Rear, Beige | 1 |
| 3 | 101728211 | Seat Bottom Assembly, Rear, Black | 1 |
| 4 | 101728214 | Seat Bottom Assembly, Rear, Gray (includes items 5 through 12) | 1 |
| 5 | 1011652 | Hinge Plate | 2 |
| 6 | N/A | Plywood Assy | 1 |
| 7 | 1017384 | Screw, #12 X .50 Hex, Washer-Head | 6 |
| 8 | 101880901 | Rivet, 3/16, Stainless-Steel, Pop | 4 |
| 9 | 101881701 | Washer, #8 Stainless-Steel Flat | 4 |
| 10 | 101954301 | Screw, 1/4-20 X 0.75 Hex-Head Cap | 8 |
| 11 | 105064802 | Seat, Bumper, Hole, 13.78in | 2 |
| 12 | 105216301 | Bracket, Seat Support | 2 |

1
G
E

VILLAGER 8

VILLAGER 6



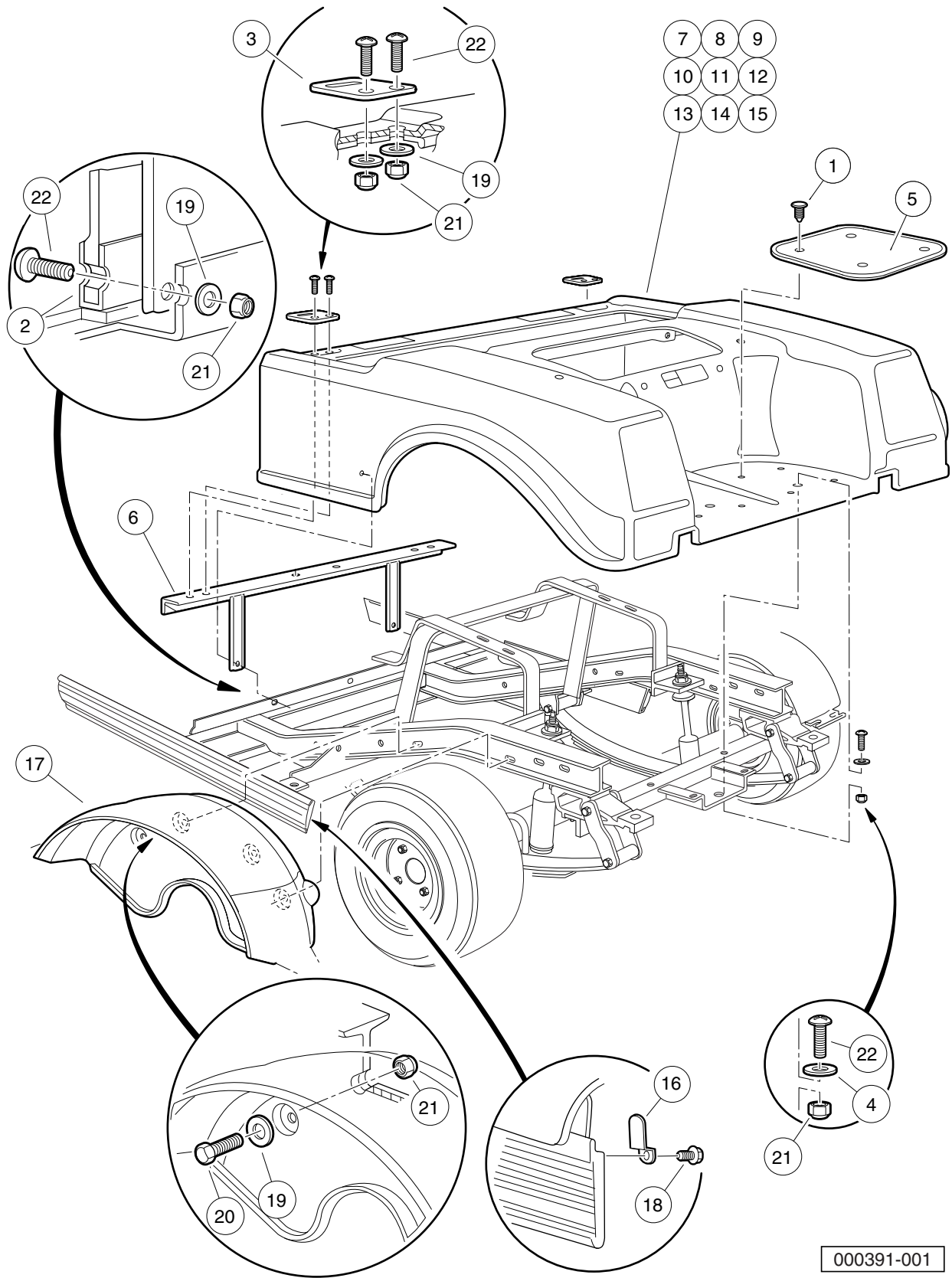
000397-002

ARMRESTS, REAR, FORWARD-FACING – VILLAGER 6 & 8 VEHICLES

| ITEM | PART NO. | DESCRIPTION | QTY |
|------|-----------|---|-----|
| | | 1 2 3 4 | |
| 1 | 1010577 | Bolt, Hex-Head, 5/16-18 X 1.50 | 2 |
| 2 | 1012285 | Screw, 1/4 X 0.625 Hex-Head | 10 |
| 3 | 1015902 | Screw, 1/4-20 X 1.25 Truss-Head | 4 |
| 4 | 1017310 | Armrest Mounting Weldment | 2 |
| 5 | 1017774 | Body Spacer | 4 |
| 6 | 101799201 | Armrest Weldment Rear | 1 |
| 7 | 101910401 | Screw, 5/16-18 X 1.25 Thrd Frm | 4 |
| 8 | 101954301 | Screw, 1/4-20 X 0.75 Hex-Head Cap | 8 |
| 9 | 1241 | Washer, 5/16 Type A Flat | 6 |
| 10 | 332 | Washer, 1/4 Type A Narrow Flat | 14 |
| 11 | 451 | Lockwasher, 1/4 Split | 8 |
| 12 | 7473 | Locknut, 5/16-18 Nylon Insert | 2 |
| 13 | 8233 | Locknut, 1/4-20, Nylon Insert | 4 |

1
G
E

1
G
E



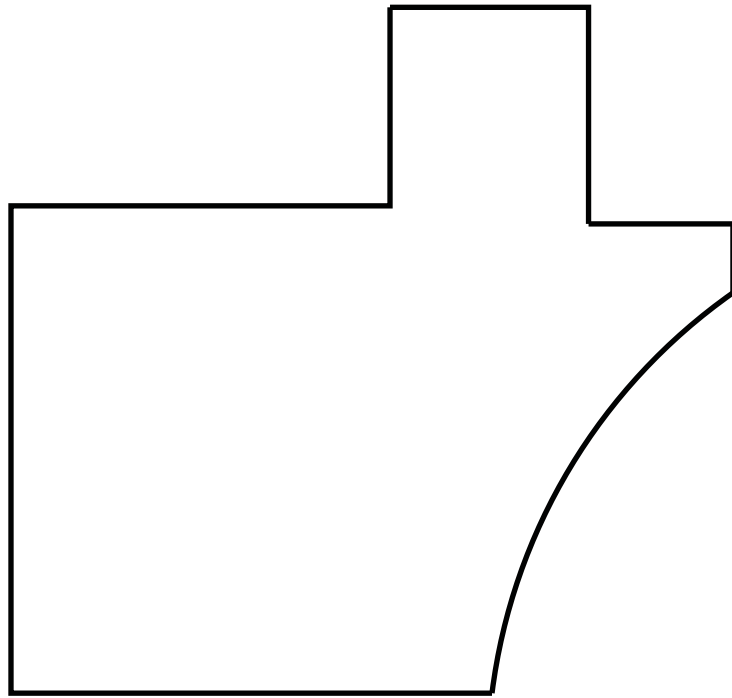
000391-001

REAR BODY AND FENDER – VILLAGER 6 & 8

| ITEM | PART NO. | DESCRIPTION | QTY |
|------|-----------|--|-----|
| | | 1 2 3 4 | |
| 1 | 1010434 | Barrel - Plastic | 8 |
| 2 | 1010993 | Body Kick Plate | 1 |
| 3 | 1012412 | Body, Hinge Plate | 2 |
| 4 | 1014306 | Washer, 1/4" Type B Flat | 2 |
| 5 | 1014392 | Bag Rest Mat | 2 |
| 6 | 1017141 | Body Support Weldment | 1 |
| 7 | 101728701 | Body, Beige, TPO, Rear | 1 |
| 8 | 101728702 | Body, White, TPO, Rear | 1 |
| 9 | 101728704 | Body, Gray, TPO, Rear | 1 |
| 10 | 101728706 | Body, Red, TPO, Rear | 1 |
| 11 | 101728708 | Body, Royal Blue, TPO, Rear | 1 |
| 12 | 101728709 | Body, Dark Green, TPO, Rear | 1 |
| 13 | 101728710 | Body, Black, TPO, Rear | 1 |
| 14 | 101728711 | Body, Classic Blue, TPO, Rear | 1 |
| 15 | 101728712 | Body, Burgundy, TPO, Rear | 1 |
| 16 | 1017748 | Body Keeper Clip | 2 |
| 17 | 1017936 | Fender, Inner | 2 |
| 18 | 102310701 | Screw, #8-18 x 0.375, Hex-Head Washer | 2 |
| 19 | 332 | Washer, 1/4 Type A Narrow Flat | 10 |
| 20 | 7847 | Screw, 1/4-20 X 0.75 Hex-Head Cap | 4 |
| 21 | 8233 | Locknut, 1/4-20, Nylon Insert | 12 |
| 22 | 8251 | Screw, 1/4-20 X 1.0 Truss-Head Machine | 8 |

1
G
E

1
G
E



1



2



3

001603-001

HEAT INSULATION, FOAM – EFI GASOLINE VEHICLE

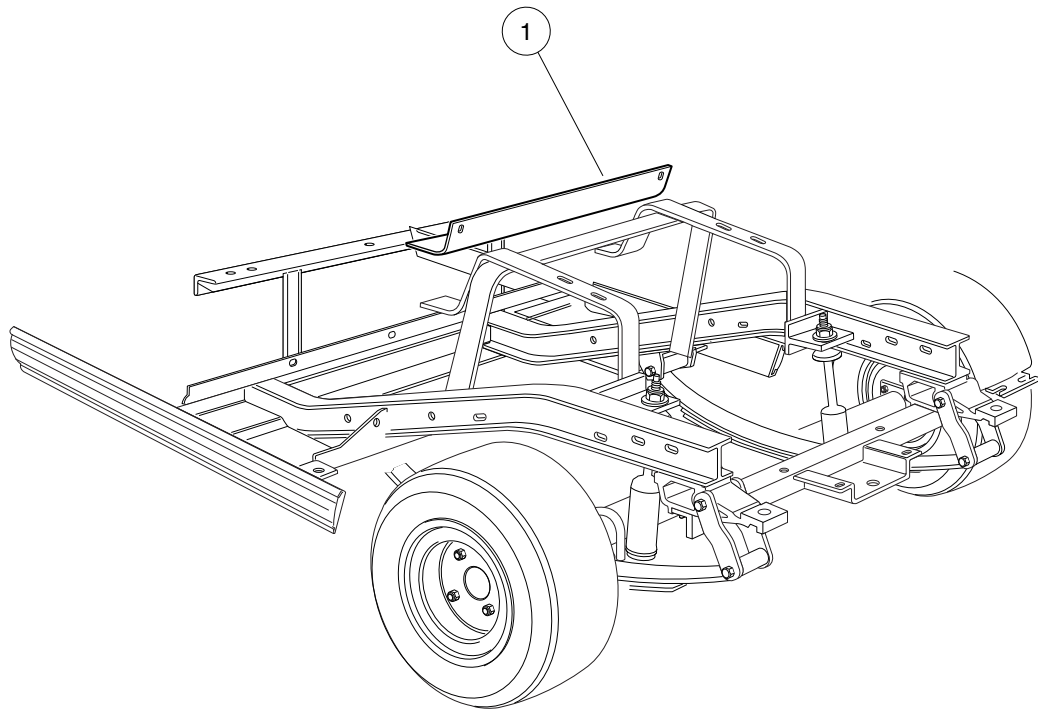
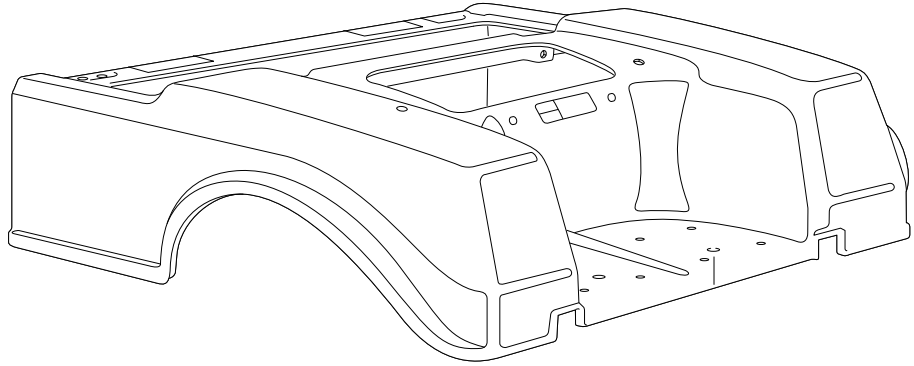
| ITEM | PART NO. | DESCRIPTION | QTY |
|------|-----------|-------------------------------------|-----|
| | | 1 2 3 4 | |
| 1 | 105280201 | Foam, Poly, Alum, 1", Style A | 1 |
| 2 | 105280202 | Foam, Poly, Alum, 1", Style B | 1 |
| 3 | 105280203 | Foam, Poly, Alum, 1", Style C | 1 |
| | | Note: Foil lining over foam. | |

1

G

E

1
G
E



000392-001

HEAT SHIELD, TRANSPORTER, VILL 6 & 8, XRT800/850 REAR BODY – GAS

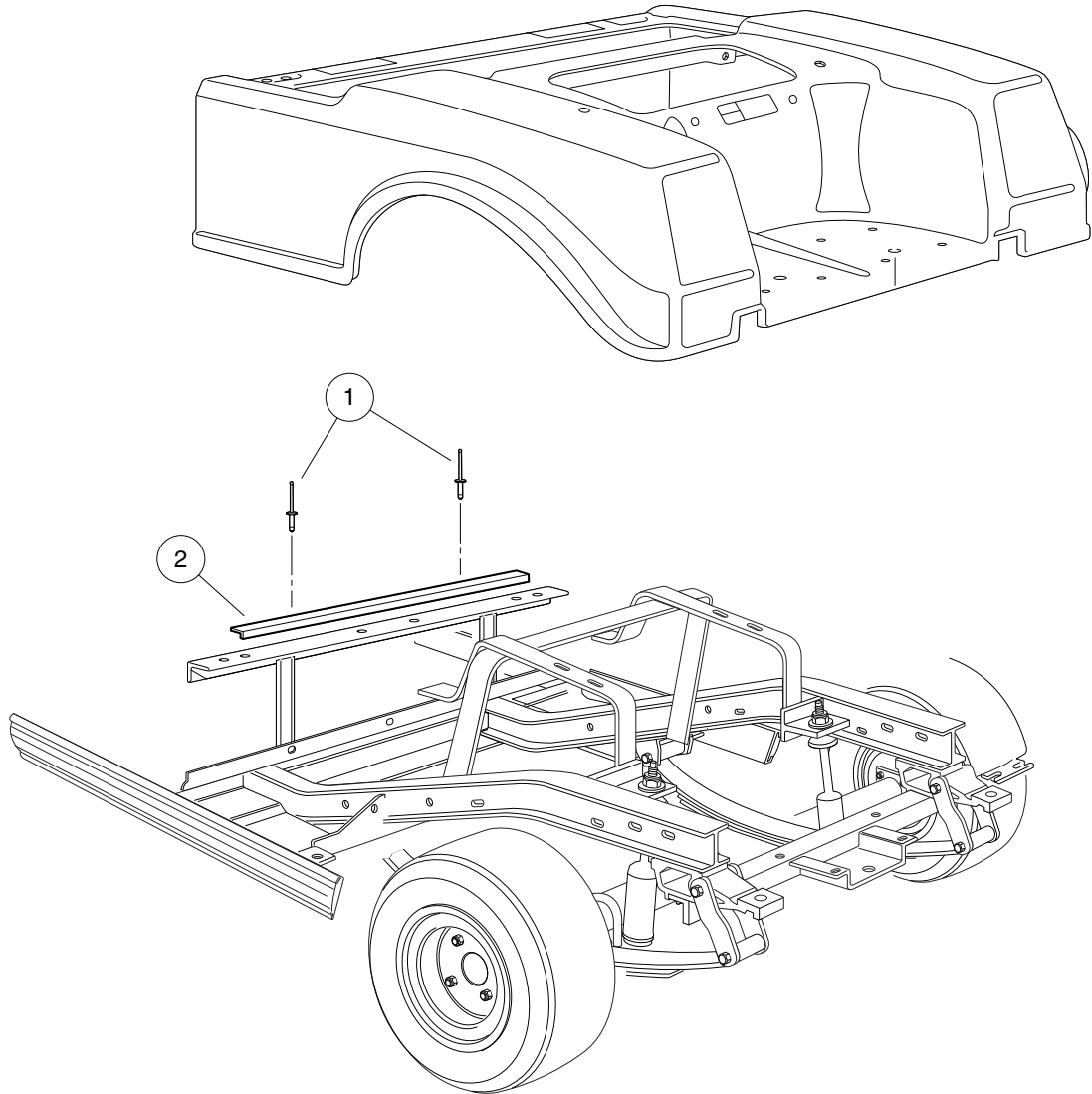
| ITEM | PART NO. | DESCRIPTION | QTY |
|------|-----------|--|-----|
| 1 | 101806901 | <div style="display: flex; justify-content: space-between; margin-bottom: 5px;"> 1 2 3 4 </div> Shield, Heat | 1 |

1

G

E

1
G
E

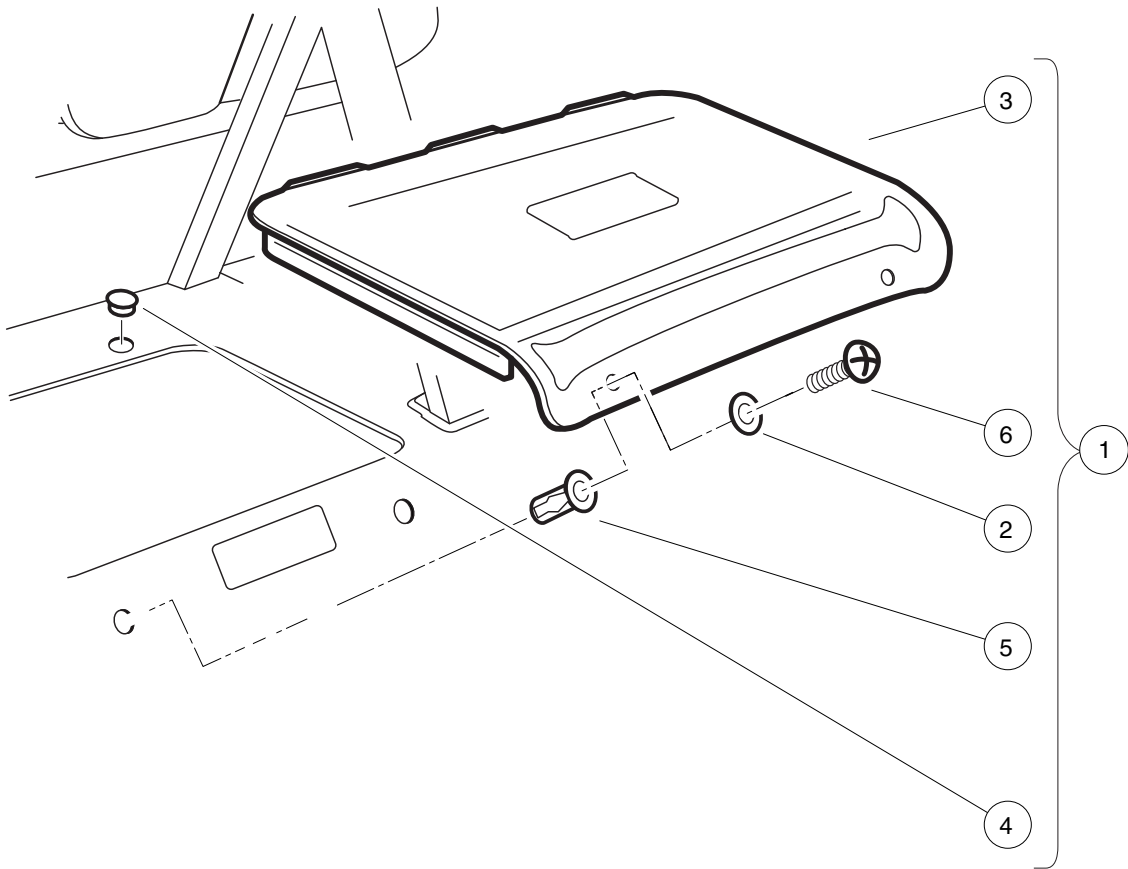


000393-001

BATTERY INSULATOR, TRANSPORTER, VILL 6 & 8, XRT850 REAR BODY – ELECTRIC

| ITEM | PART NO. | DESCRIPTION | QTY |
|------|-----------|---|-----|
| 1 | 1013357 | 1 2 3 4 Rivet, 5/32 Aluminum Pop | 2 |
| 2 | 101837001 | Battery Insulator | 1 |

1
G
E



000783-002

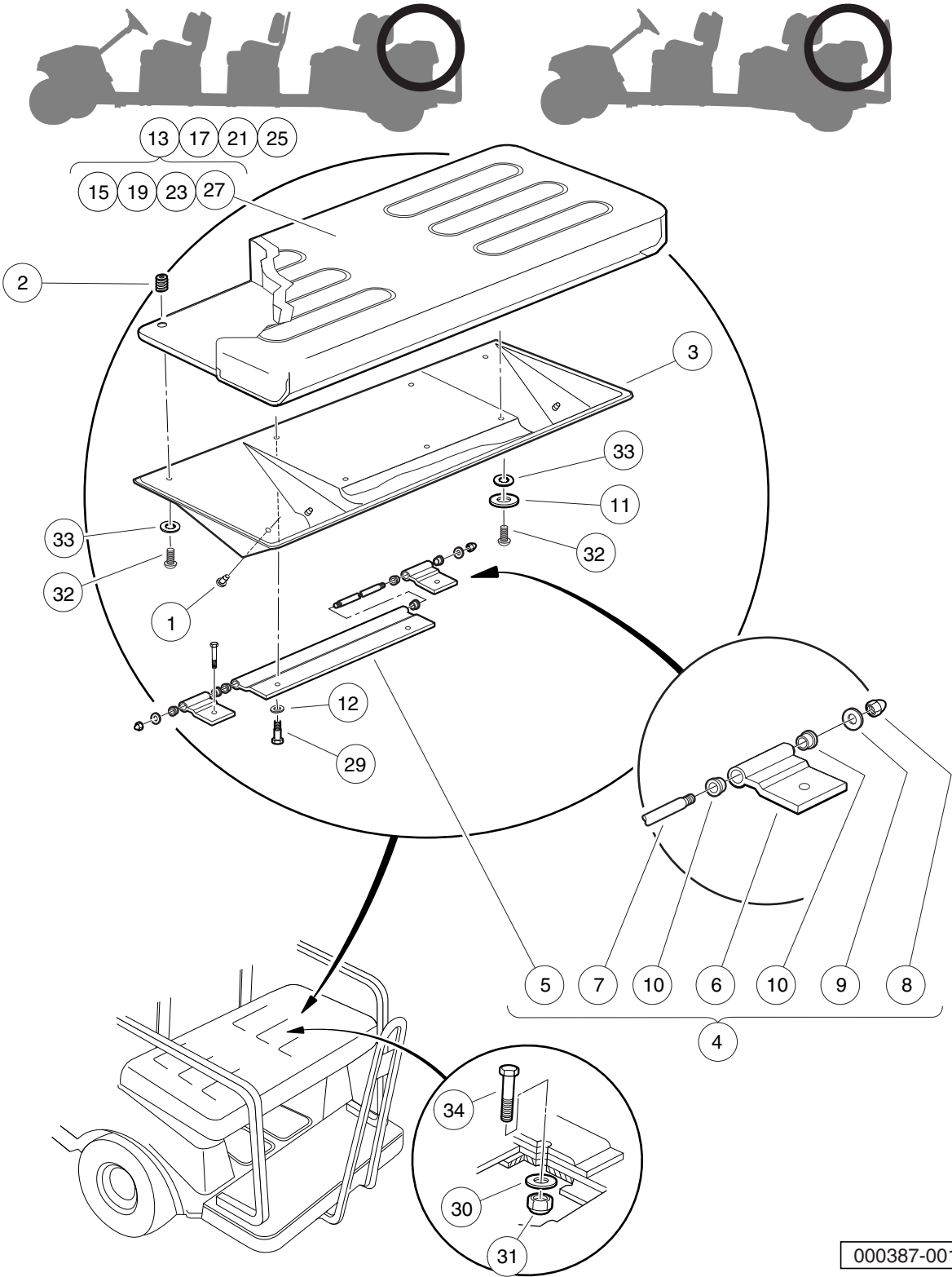
REAR ACCESS DOOR

| ITEM | PART NO. | DESCRIPTION | QTY |
|------|----------|---|-----|
| | | 1 2 3 4 | |
| 1 | 1013218 | Kit, Access Door Black (includes items 2 through 6) | 1 |
| 2 | 1012581 | Washer, 0.609-inch OD, Nylon Cup | 2 |
| 3 | 1013032 | Molded Access Door Black | 1 |
| 4 | 1013216 | Plug, Button | 2 |
| 5 | 1015525 | Nut, 1/4-20 Blind | 2 |
| 6 | 8251 | Screw, 1/4-20 X 1.0 Truss-Head Machine | 2 |

1
G
E

VILLAGER 8

VILLAGER 6

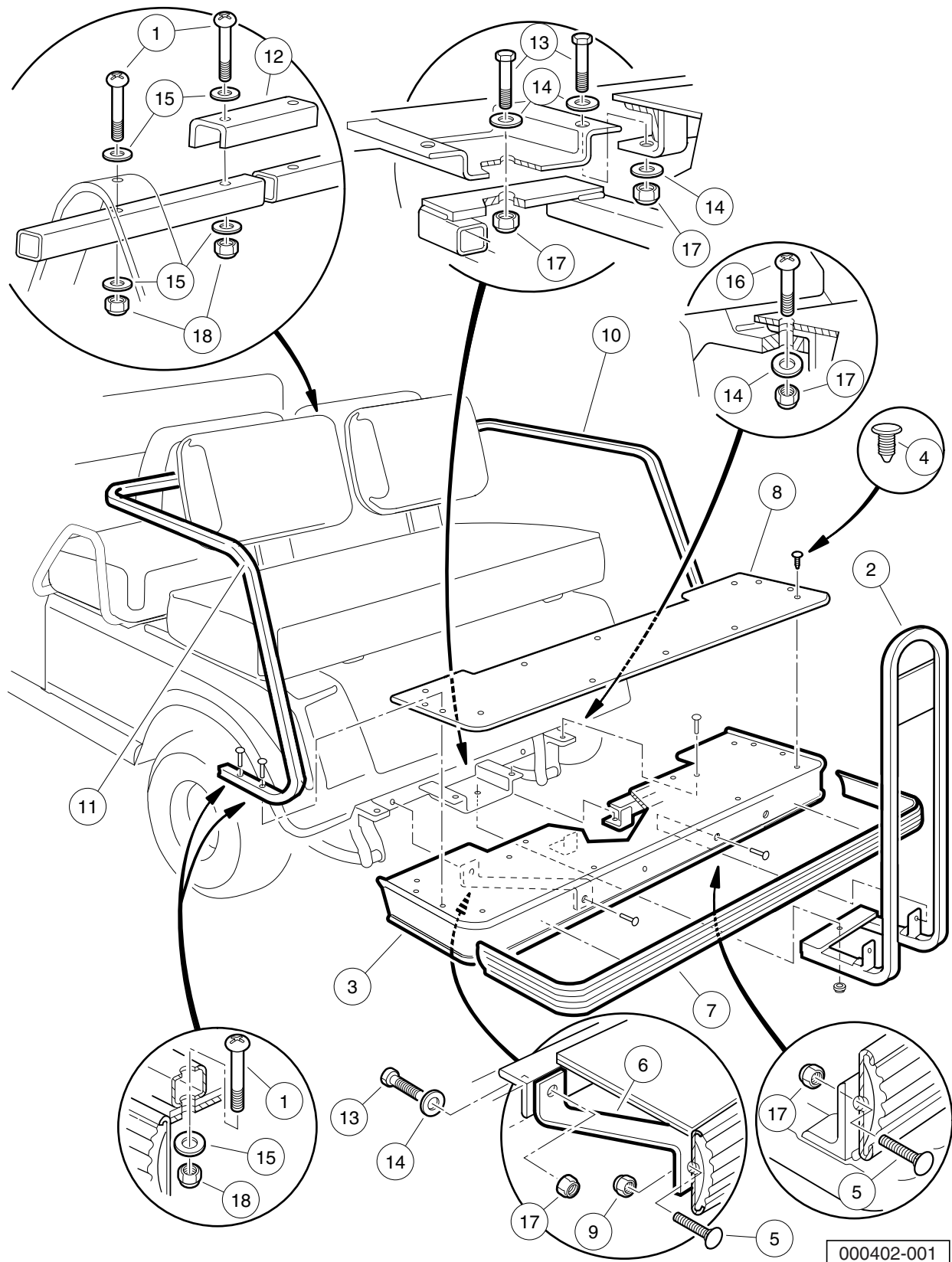


REAR-FACING SEAT BOTTOM – VILLAGER VEHICLES

| ITEM | PART NO. | DESCRIPTION | QTY |
|------|-----------|---|-----|
| | | 1 2 3 4 | |
| 1 | 1010436 | Bumper, Rubber | 4 |
| 2 | 1010543 | Insert - Wood | 7 |
| 3 | 1011210 | Seat Support 4-Passenger | 1 |
| 4 | 1011219 | Hinge Assembly 4 Passenger (includes items 5 through 10) | 1 |
| 5 | 1011220 | Hinge Long 4 Passenger | 1 |
| 6 | 1011221 | Hinge Short 4 Passenger | 2 |
| 7 | 1011222 | Pin, Hinge, Long, 4-Pass | 1 |
| 8 | 1015091 | Nut, 1/4-20 Stainless-Steel Center-Lock Cap | 2 |
| 9 | 332 | Washer, 1/4 Type A Narrow Flat | 2 |
| 10 | 8028 | Rotor Stop, FNR | 6 |
| 11 | 1011578 | Washer, 5/16 Type B Flat | 3 |
| 12 | 1014007 | Washer, 1/4, Flat | 2 |
| 13 | 101564804 | Seat Bottom Assembly, Buff (includes items 14 through 16) | 1 |
| 14 | N/A | Foam, Seat | 1 |
| 15 | 101562711 | Vinyl Cover, Seat Bottom, Buff | 1 |
| 16 | N/A | Plywood Assy | 1 |
| 17 | 101564805 | Seat Bottom Assembly, White (includes items 18 through 20) | 1 |
| 18 | N/A | Foam, Seat | 1 |
| 19 | 101562712 | Vinyl Cover, Seat Bottom, White | 1 |
| 20 | N/A | Plywood Assy | 1 |
| 21 | 101564807 | Seat Bottom Assembly, Gray (includes items 22 through 24) | 1 |
| 22 | N/A | Foam, Seat | 1 |
| 23 | 101562715 | Vinyl Cover, Seat Bottom, Gray | 1 |
| 24 | N/A | Plywood Assy | 1 |
| 25 | 101564808 | Seat Bottom Assembly, Black (includes items 26 through 28) | 1 |
| 26 | N/A | Foam, Seat | 1 |
| 27 | 101562714 | Vinyl Cover, Seat Bottom, Black | 1 |
| 28 | N/A | Plywood Assy | 1 |
| 29 | 1016916 | Screw, 1/4-20 X 1.50 Hex-Head Cap | 2 |
| 30 | 1241 | Washer, 5/16 Type A Flat | 2 |
| 31 | 7473 | Locknut, 5/16-18 Nylon Insert | 2 |
| 32 | 8251 | Screw, 1/4-20 X 1.0 Truss-Head Machine | 5 |
| 33 | 8304 | Lockwasher, 1/4 Type A Int.tth | 5 |
| 34 | 8963 | Screw, 5/16-18 X 1.75 Hex-Head Cap | 2 |
| | | Note: Sub-components contained in items 17, 21, and 25 are the same as those shown for item 13, except for the vinyl seat covers. | |

1
G
E

1
G
E



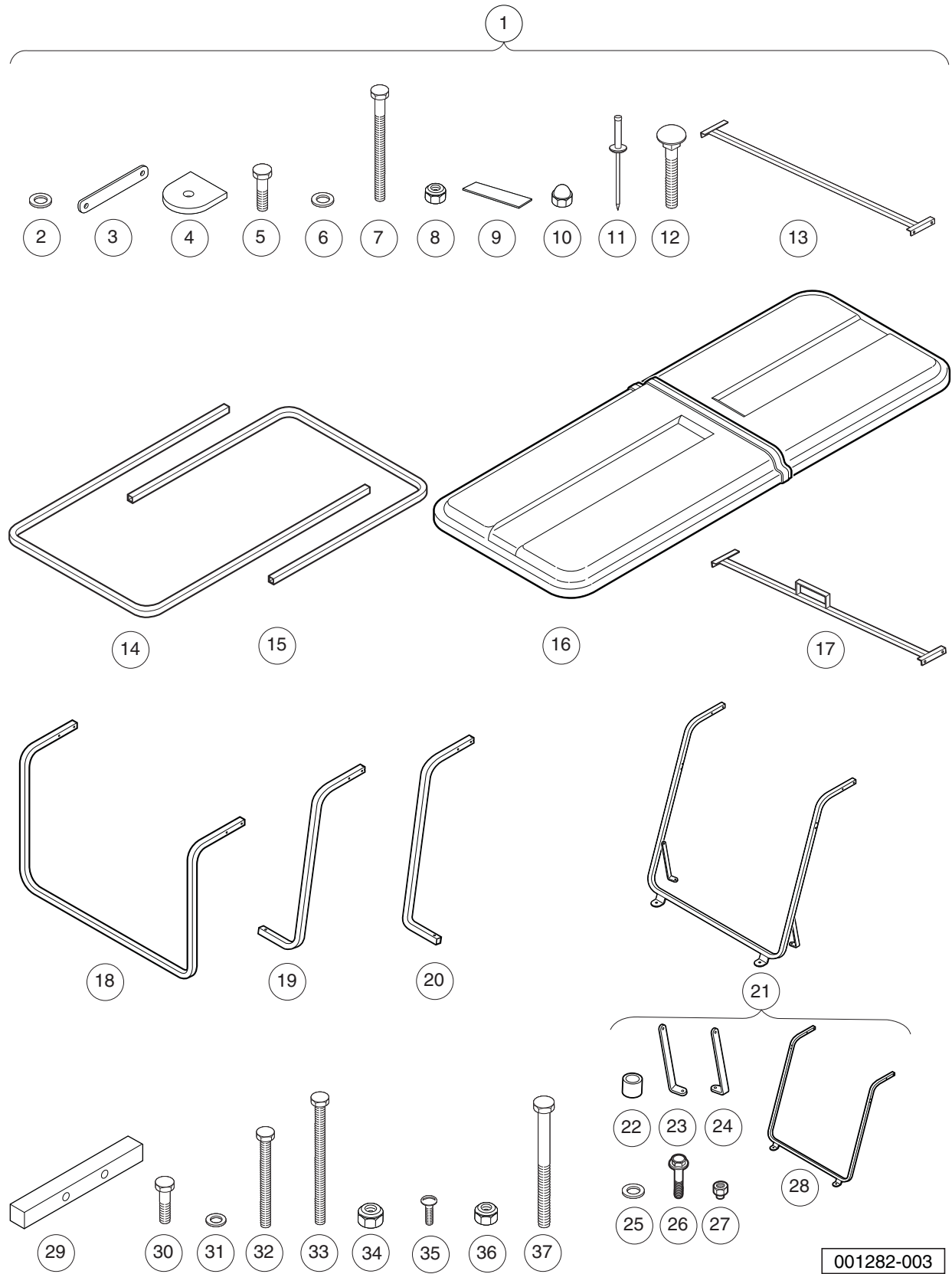
000402-001

REAR FOOTREST, ARMRESTS AND HANDRAILS – DS VILLAGER 4, VILLAGER 6 AND 8

| ITEM | PART NO. | DESCRIPTION | QTY |
|------|-----------|---|-----|
| | | 1 2 3 4 | |
| 1 | 1011988 | Screw, 1/4-20 X 2.00 Phillips Truss-Head | 8 |
| 2 | 1016842 | Rear Seat Handrail Weldment | 1 |
| 3 | 101841101 | Rear Foot Rest Asm (includes items 4 through 9) | 1 |
| 4 | 1010434 | Barrel - Plastic | 8 |
| 5 | 1010435 | Bolt, Carriage, 5/16-18 X 1.00 | 4 |
| 6 | 1016668 | Connecting Bar | 2 |
| 7 | 1016835 | Bumper, Side Trim | 1 |
| 8 | 101840901 | Foot Rest Mat | 1 |
| 9 | 7473 | Locknut, 5/16-18 Nylon Insert | 2 |
| 10 | 101841201 | Armrest, Seat, Rear, Right-Hand | 1 |
| 11 | 101841202 | Armrest, Seat, Rear, Left-Hand | 1 |
| 12 | 101841301 | Armrest Bracket | 1 |
| 13 | 1218 | Screw, 5/16-18 X 1.25 Hex-Head Cap | 5 |
| 14 | 1241 | Washer, 5/16 Type A Flat | 9 |
| 15 | 332 | Washer, 1/4 Type A Narrow Flat | 8 |
| 16 | 7410 | Screw, 5/16-18 X 1.25 Truss Hd | 2 |
| 17 | 7473 | Locknut, 5/16-18 Nylon Insert | 9 |
| 18 | 8233 | Locknut, 1/4-20, Nylon Insert | 8 |

1
G
E

1
G
E

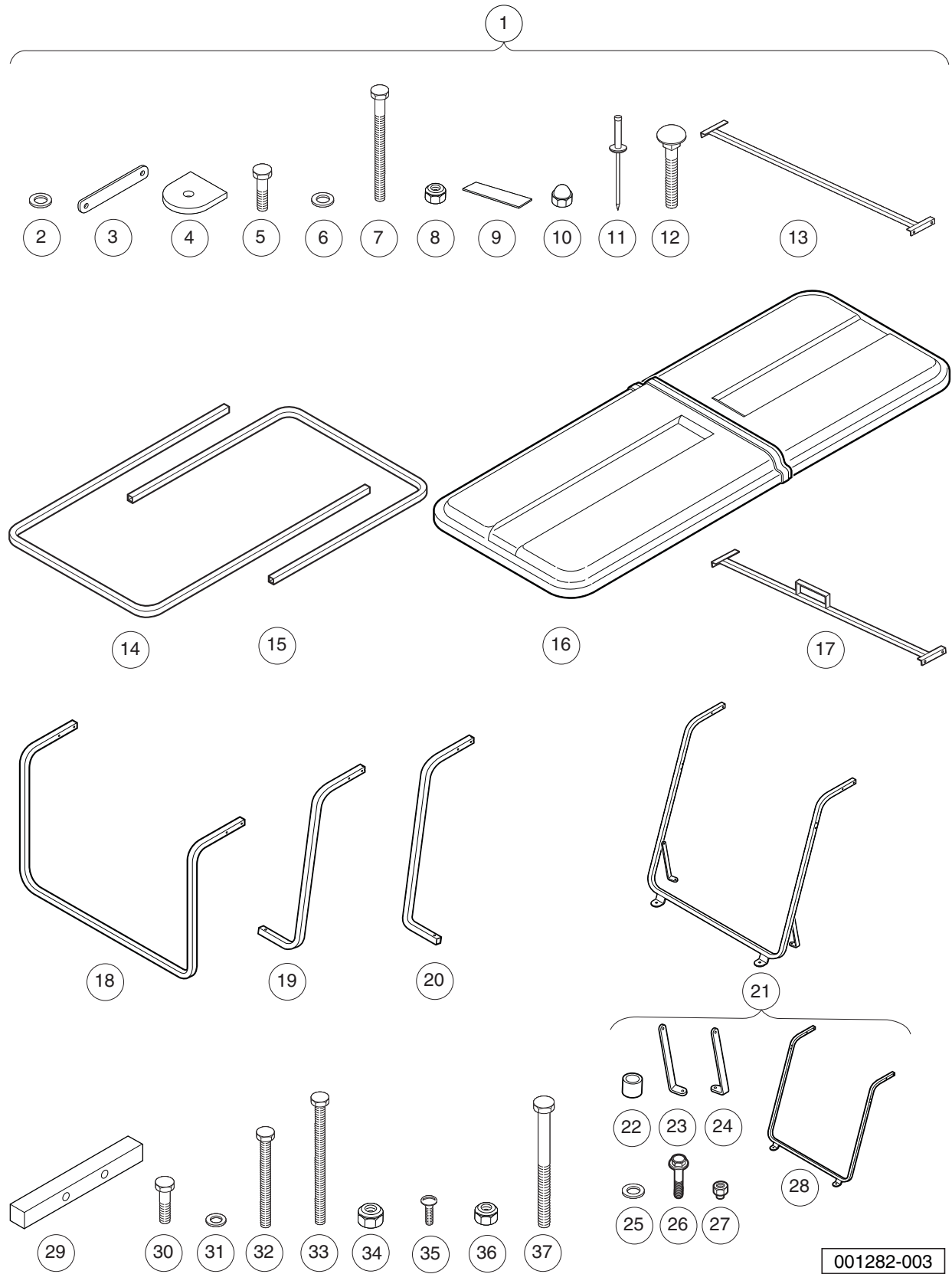


CANOPY KIT, WHITE – VILL. 6 WITH REAR-FACING SEATS

| ITEM | PART NO. | DESCRIPTION | QTY |
|------|-----------|---|-----|
| | | 1 2 3 4 | |
| 1 | 101816701 | Canopy Top Wht Vill W/rear St (includes items 2 through 37) | 1 |
| 2 | 1011697 | Washer, 5/16 Flat | 2 |
| 3 | 1011852 | Plate, Canopy Trim | 10 |
| 4 | 1011883 | Pad, Windshield Frame Mounting | 2 |
| 5 | 1011937 | Bolt, 5/16-18 X 1.25 Hex Head | 2 |
| 6 | 1011964 | Washer, 1/4 Flat | 14 |
| 7 | 1012159 | Bolt, 1/4-20 X 2.75 Hex-Head | 8 |
| 8 | 1013061 | Locknut, #10-32 Nylon Insert | 8 |
| 9 | 1014471 | Tape, Vinyl Foam 1/8" x 3/4" | 20 |
| 10 | 1015091 | Nut, 1/4-20 Stainless-Steel Center-Lock Cap | 4 |
| 11 | 1015392 | Rivet, 3/16 Pop | 8 |
| 12 | 1015405 | Bolt, Carriage, 5/16-18 X 2.0 | 2 |
| 13 | 1016781 | Hanger Weldment | 1 |
| 14 | 1016793 | Top Front Support | 1 |
| 15 | 1016794 | Top Rear Support | 1 |
| 16 | 101679902 | Canopy Front & Rear White | 1 |
| 17 | 1017185 | Hanger Weldment Front | 1 |
| 18 | 101815301 | Brace, Rear Canopy | 1 |
| 19 | 101815401 | Canopy Side Brace Lh | 1 |
| 20 | 101815402 | Canopy Side Brace Rh | 1 |
| 21 | 103789601 | W/s Fr / Knee Br, Aluminum (includes items 22 through 28) | 1 |
| 22 | 1010237 | Bushing | 2 |
| 23 | 1011862 | Brace, Right-Hand Canopy Mount Knee | 1 |
| 24 | 1011865 | Brace, Left-Hand Canopy Mount Knee | 1 |
| 25 | 1011964 | Washer, 1/4 Flat | 2 |
| 26 | 102076701 | Screw, 1/4-20 X 1.75 Hex Sems | 2 |
| 27 | 102242401 | Nut - Nylon Insert W/cap | 2 |
| 28 | 103787401 | Asm, Windshield Frame, Alum | 1 |
| 29 | 103954301 | Splice Bar 10.5" | 2 |
| 30 | 1218 | Screw, 5/16-18 X 1.25 Hex-Head Cap | 2 |
| 31 | 183 | Washer, #10, Type A, Flat | 16 |
| 32 | 324 | Screw, 1/4-20 X 2.50 Hx Hd Cap | 4 |
| 33 | 343 | Screw, 1/4-20 X 3.00 Hx Hd Cap | 4 |
| 34 | 7473 | Locknut, 5/16-18 Nylon Insert | 2 |
| 35 | 8104 | Screw, #10-32 X .75 Rd Hd Mach | 8 |
| 36 | 8233 | Locknut, 1/4-20, Nylon Insert | 12 |
| 37 | 8915 | Screw, 5/16-18 X 3.0 Hx Hd Cap | 2 |

1
G
E

1
G
E

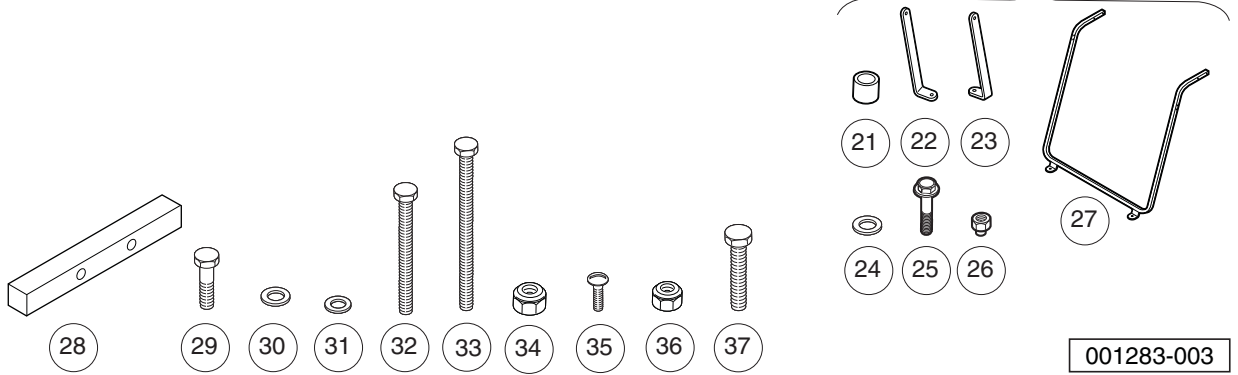
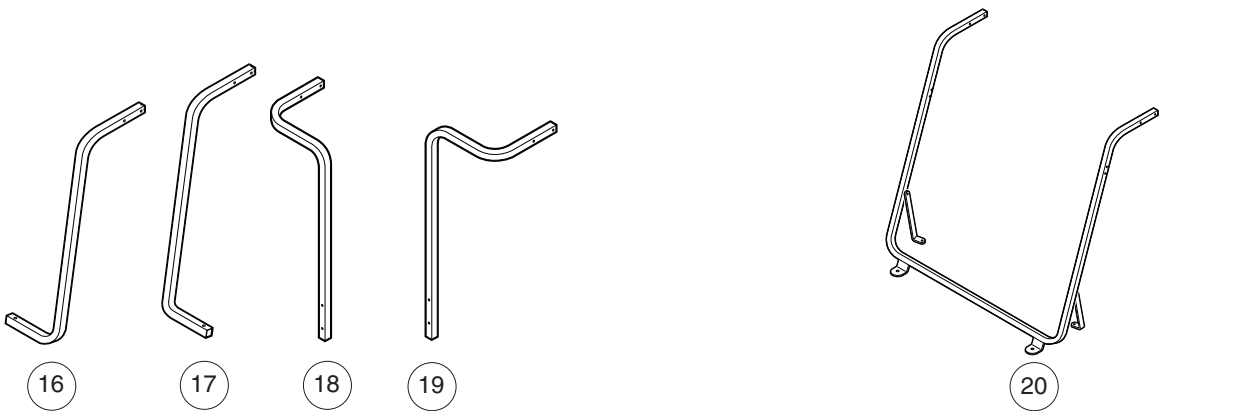
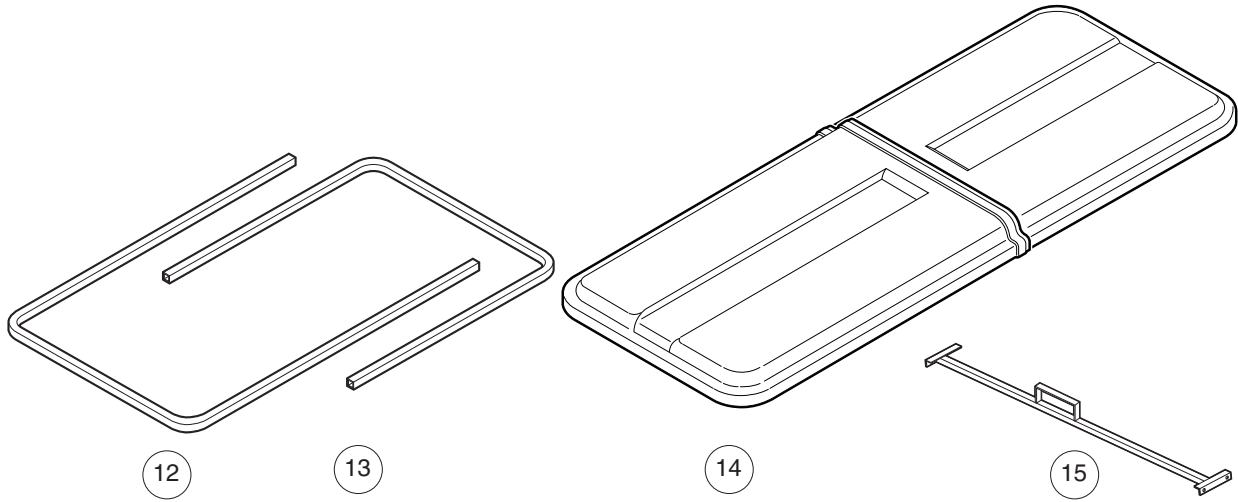
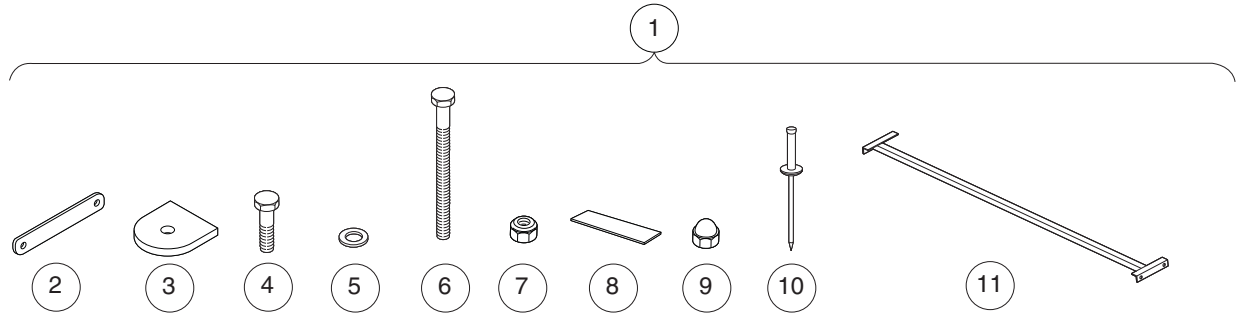


CANOPY KIT, BEIGE – VILL. 6 WITH REAR-FACING SEATS

| ITEM | PART NO. | DESCRIPTION | QTY |
|------|-----------|---|-----|
| | | 1 2 3 4 | |
| 1 | 101816702 | Canopy Beige Vill W/rear St (includes items 2 through 37) | 1 |
| 2 | 1011697 | Washer, 5/16 Flat | 2 |
| 3 | 1011852 | Plate, Canopy Trim | 10 |
| 4 | 1011883 | Pad, Windshield Frame Mounting | 2 |
| 5 | 1011937 | Bolt, 5/16-18 X 1.25 Hex Head | 2 |
| 6 | 1011964 | Washer, 1/4 Flat | 14 |
| 7 | 1012159 | Bolt, 1/4-20 X 2.75 Hex-Head | 8 |
| 8 | 1013061 | Locknut, #10-32 Nylon Insert | 8 |
| 9 | 1014471 | Tape, Vinyl Foam 1/8" x 3/4" | 20 |
| 10 | 1015091 | Nut, 1/4-20 Stainless-Steel Center-Lock Cap | 4 |
| 11 | 1015392 | Rivet, 3/16 Pop | 8 |
| 12 | 1015405 | Bolt, Carriage, 5/16-18 X 2.0 | 2 |
| 13 | 1016781 | Hanger Weldment | 1 |
| 14 | 1016793 | Top Front Support | 1 |
| 15 | 1016794 | Top Rear Support | 1 |
| 16 | 101679901 | Canopy Front & Rear Beige | 1 |
| 17 | 1017185 | Hanger Weldment Front | 1 |
| 18 | 101815301 | Brace, Rear Canopy | 1 |
| 19 | 101815401 | Canopy Side Brace Lh | 1 |
| 20 | 101815402 | Canopy Side Brace Rh | 1 |
| 21 | 103789601 | W/s Fr / Knee Br, Aluminum (includes items 22 through 28) | 1 |
| 22 | 1010237 | Bushing | 2 |
| 23 | 1011862 | Brace, Right-Hand Canopy Mount Knee | 1 |
| 24 | 1011865 | Brace, Left-Hand Canopy Mount Knee | 1 |
| 25 | 1011964 | Washer, 1/4 Flat | 2 |
| 26 | 102076701 | Screw, 1/4-20 X 1.75 Hex Sems | 2 |
| 27 | 102242401 | Nut - Nylon Insert W/cap | 2 |
| 28 | 103787401 | Asm, Windshield Frame, Alum | 1 |
| 29 | 103954301 | Splice Bar 10.5" | 2 |
| 30 | 1218 | Screw, 5/16-18 X 1.25 Hex-Head Cap | 2 |
| 31 | 183 | Washer, #10, Type A, Flat | 16 |
| 32 | 324 | Screw, 1/4-20 X 2.50 Hx Hd Cap | 4 |
| 33 | 343 | Screw, 1/4-20 X 3.00 Hx Hd Cap | 4 |
| 34 | 7473 | Locknut, 5/16-18 Nylon Insert | 2 |
| 35 | 8104 | Screw, #10-32 X .75 Rd Hd Mach | 8 |
| 36 | 8233 | Locknut, 1/4-20, Nylon Insert | 12 |
| 37 | 8915 | Screw, 5/16-18 X 3.0 Hx Hd Cap | 2 |

1
G
E

1
G
E



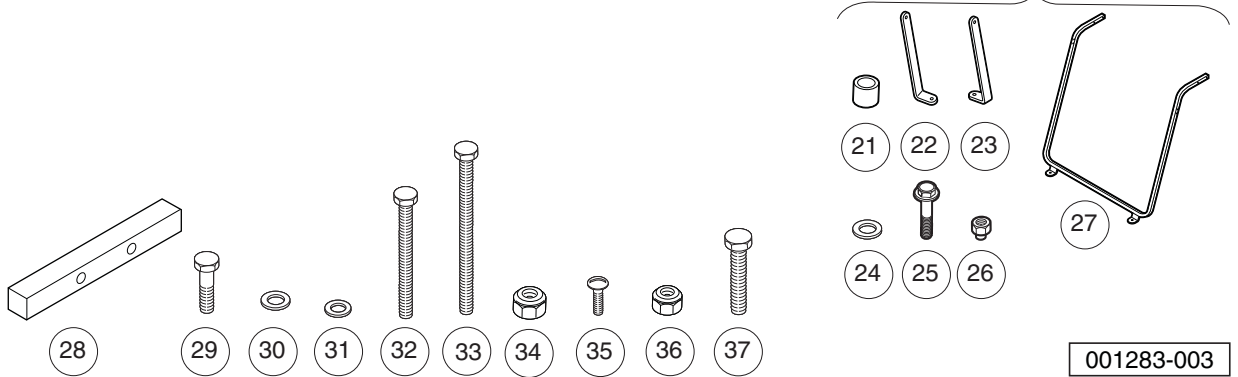
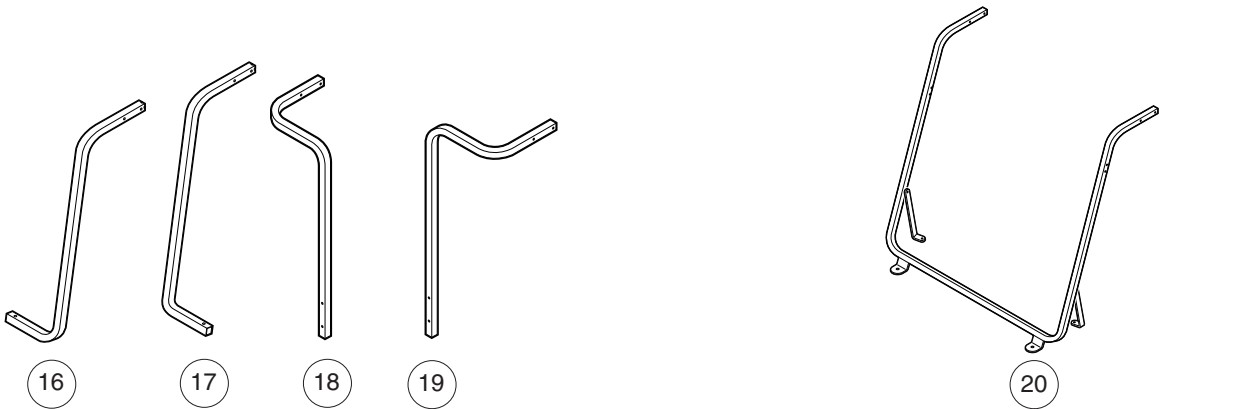
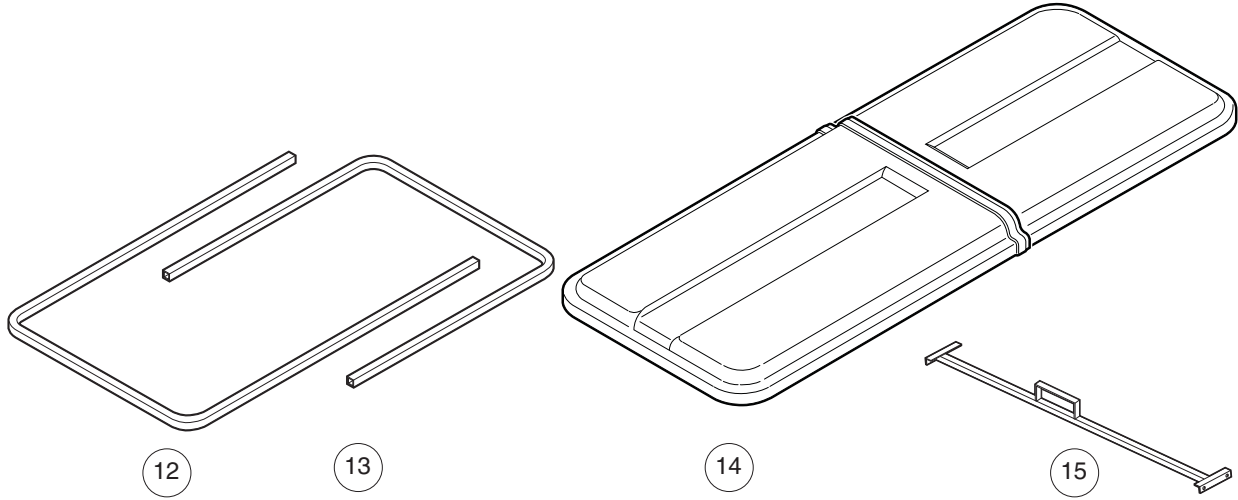
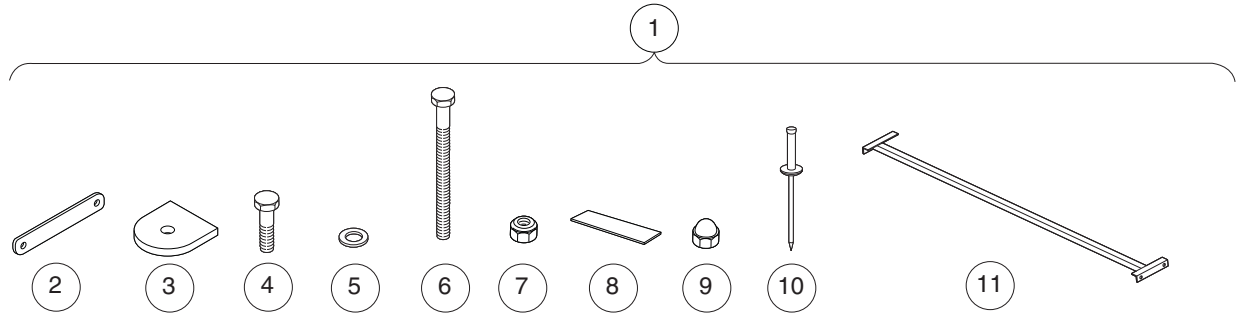
001283-003

CANOPY KIT, WHITE – VILL. 6 WITH FLAT BED

| ITEM | PART NO. | DESCRIPTION | QTY |
|------|-----------|--|-----|
| | | 1 2 3 4 | |
| 1 | 101838001 | Canopy Top Wht Vill W/cargo Bd (includes items 2 through 37) | 1 |
| 2 | 1011852 | Plate, Canopy Trim | 10 |
| 3 | 1011883 | Pad, Windshield Frame Mounting | 2 |
| 4 | 1011937 | Bolt, 5/16-18 X 1.25 Hex Head | 2 |
| 5 | 1011964 | Washer, 1/4 Flat | 14 |
| 6 | 1012159 | Bolt, 1/4-20 X 2.75 Hex-Head | 8 |
| 7 | 1013061 | Locknut, #10-32 Nylon Insert | 8 |
| 8 | 1014471 | Tape, Vinyl Foam 1/8" x 3/4" | 20 |
| 9 | 1015091 | Nut, 1/4-20 Stainless-Steel Center-Lock Cap | 4 |
| 10 | 1015392 | Rivet, 3/16 Pop | 8 |
| 11 | 1016781 | Hanger Weldment | 1 |
| 12 | 1016793 | Top Front Support | 1 |
| 13 | 1016794 | Top Rear Support | 1 |
| 14 | 101679902 | Canopy Front & Rear White | 1 |
| 15 | 1017185 | Hanger Weldment Front | 1 |
| 16 | 101815401 | Canopy Side Brace Lh | 1 |
| 17 | 101815402 | Canopy Side Brace Rh | 1 |
| 18 | 101837801 | Rear Canopy Brace Rh | 1 |
| 19 | 101837802 | Rear Canopy Brace Lh | 1 |
| 20 | 103789601 | W/s Fr / Knee Br, Aluminum (includes items 21 through 27) | 1 |
| 21 | 1010237 | Bushing | 2 |
| 22 | 1011862 | Brace, Right-Hand Canopy Mount Knee | 1 |
| 23 | 1011865 | Brace, Left-Hand Canopy Mount Knee | 1 |
| 24 | 1011964 | Washer, 1/4 Flat | 2 |
| 25 | 102076701 | Screw, 1/4-20 X 1.75 Hex Sems | 2 |
| 26 | 102242401 | Nut - Nylon Insert W/cap | 2 |
| 27 | 103787401 | Asm, Windshield Frame, Alum | 1 |
| 28 | 103954301 | Splice Bar 10.5" | 2 |
| 29 | 1218 | Screw, 5/16-18 X 1.25 Hex-Head Cap | 2 |
| 30 | 1241 | Washer, 5/16 Type A Flat | 4 |
| 31 | 183 | Washer, #10, Type A, Flat | 16 |
| 32 | 324 | Screw, 1/4-20 X 2.50 Hx Hd Cap | 4 |
| 33 | 343 | Screw, 1/4-20 X 3.00 Hx Hd Cap | 4 |
| 34 | 7473 | Locknut, 5/16-18 Nylon Insert | 4 |
| 35 | 8104 | Screw, #10-32 X .75 Rd Hd Mach | 8 |
| 36 | 8233 | Locknut, 1/4-20, Nylon Insert | 12 |
| 37 | 8963 | Screw, 5/16-18 X 1.75 Hex-Head Cap | 4 |

1
G
E

1
G
E



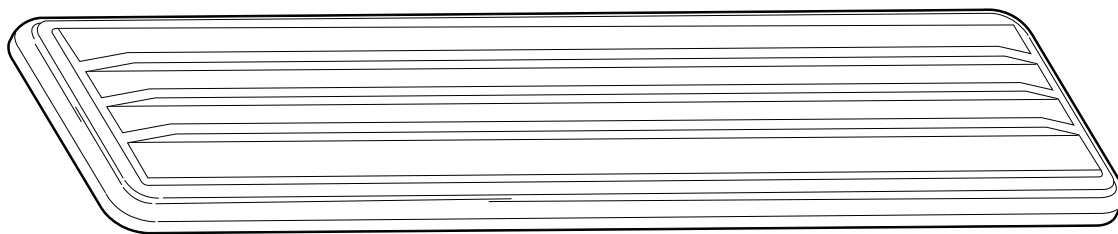
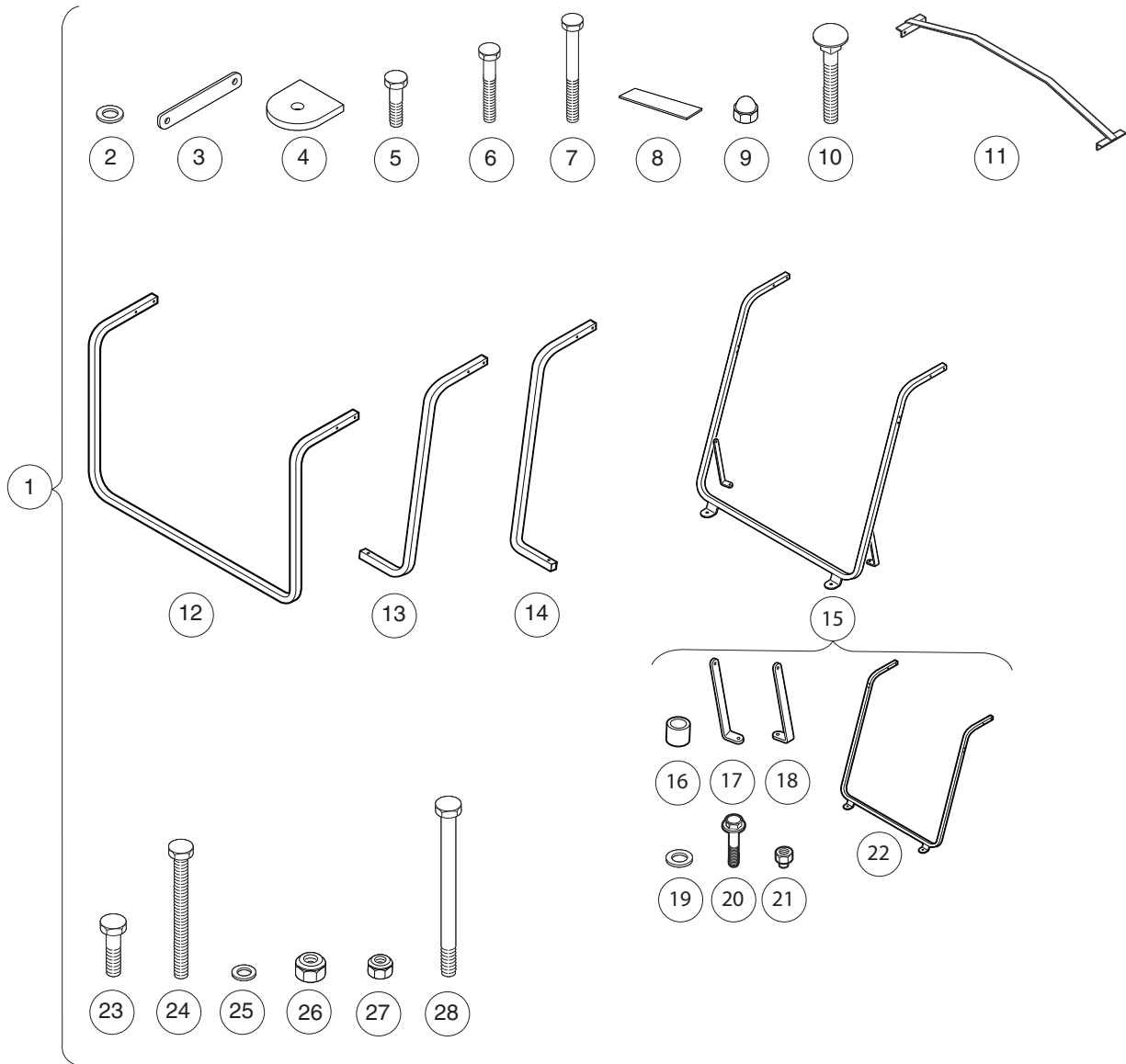
001283-003

CANOPY KIT, BEIGE – VILL. 6 WITH FLAT BED

| ITEM | PART NO. | DESCRIPTION | QTY |
|------|-----------|--|-----|
| | | 1 2 3 4 | |
| 1 | 101838002 | Canopy Beige Vill W/cargo Bd (includes items 2 through 37) | 1 |
| 2 | 1011852 | Plate, Canopy Trim | 10 |
| 3 | 1011883 | Pad, Windshield Frame Mounting | 2 |
| 4 | 1011937 | Bolt, 5/16-18 X 1.25 Hex Head | 2 |
| 5 | 1011964 | Washer, 1/4 Flat | 14 |
| 6 | 1012159 | Bolt, 1/4-20 X 2.75 Hex-Head | 8 |
| 7 | 1013061 | Locknut, #10-32 Nylon Insert | 8 |
| 8 | 1014471 | Tape, Vinyl Foam 1/8" x 3/4" | 20 |
| 9 | 1015091 | Nut, 1/4-20 Stainless-Steel Center-Lock Cap | 4 |
| 10 | 1015392 | Rivet, 3/16 Pop | 8 |
| 11 | 1016781 | Hanger Weldment | 1 |
| 12 | 1016793 | Top Front Support | 1 |
| 13 | 1016794 | Top Rear Support | 1 |
| 14 | 101679901 | Canopy Front & Rear Beige | 1 |
| 15 | 1017185 | Hanger Weldment Front | 1 |
| 16 | 101815401 | Canopy Side Brace Lh | 1 |
| 17 | 101815402 | Canopy Side Brace Rh | 1 |
| 18 | 101837801 | Rear Canopy Brace Rh | 1 |
| 19 | 101837802 | Rear Canopy Brace Lh | 1 |
| 20 | 103789601 | W/s Fr / Knee Br, Aluminum (includes items 21 through 27) | 1 |
| 21 | 1010237 | Bushing | 2 |
| 22 | 1011862 | Brace, Right-Hand Canopy Mount Knee | 1 |
| 23 | 1011865 | Brace, Left-Hand Canopy Mount Knee | 1 |
| 24 | 1011964 | Washer, 1/4 Flat | 2 |
| 25 | 102076701 | Screw, 1/4-20 X 1.75 Hex Sems | 2 |
| 26 | 102242401 | Nut - Nylon Insert W/cap | 2 |
| 27 | 103787401 | Asm, Windshield Frame, Alum | 1 |
| 28 | 103954301 | Splice Bar 10.5" | 2 |
| 29 | 1218 | Screw, 5/16-18 X 1.25 Hex-Head Cap | 2 |
| 30 | 1241 | Washer, 5/16 Type A Flat | 4 |
| 31 | 183 | Washer, #10, Type A, Flat | 16 |
| 32 | 324 | Screw, 1/4-20 X 2.50 Hx Hd Cap | 4 |
| 33 | 343 | Screw, 1/4-20 X 3.00 Hx Hd Cap | 4 |
| 34 | 7473 | Locknut, 5/16-18 Nylon Insert | 4 |
| 35 | 8104 | Screw, #10-32 X .75 Rd Hd Mach | 8 |
| 36 | 8233 | Locknut, 1/4-20, Nylon Insert | 12 |
| 37 | 8963 | Screw, 5/16-18 X 1.75 Hex-Head Cap | 4 |

1
G
E

1
G
E



29

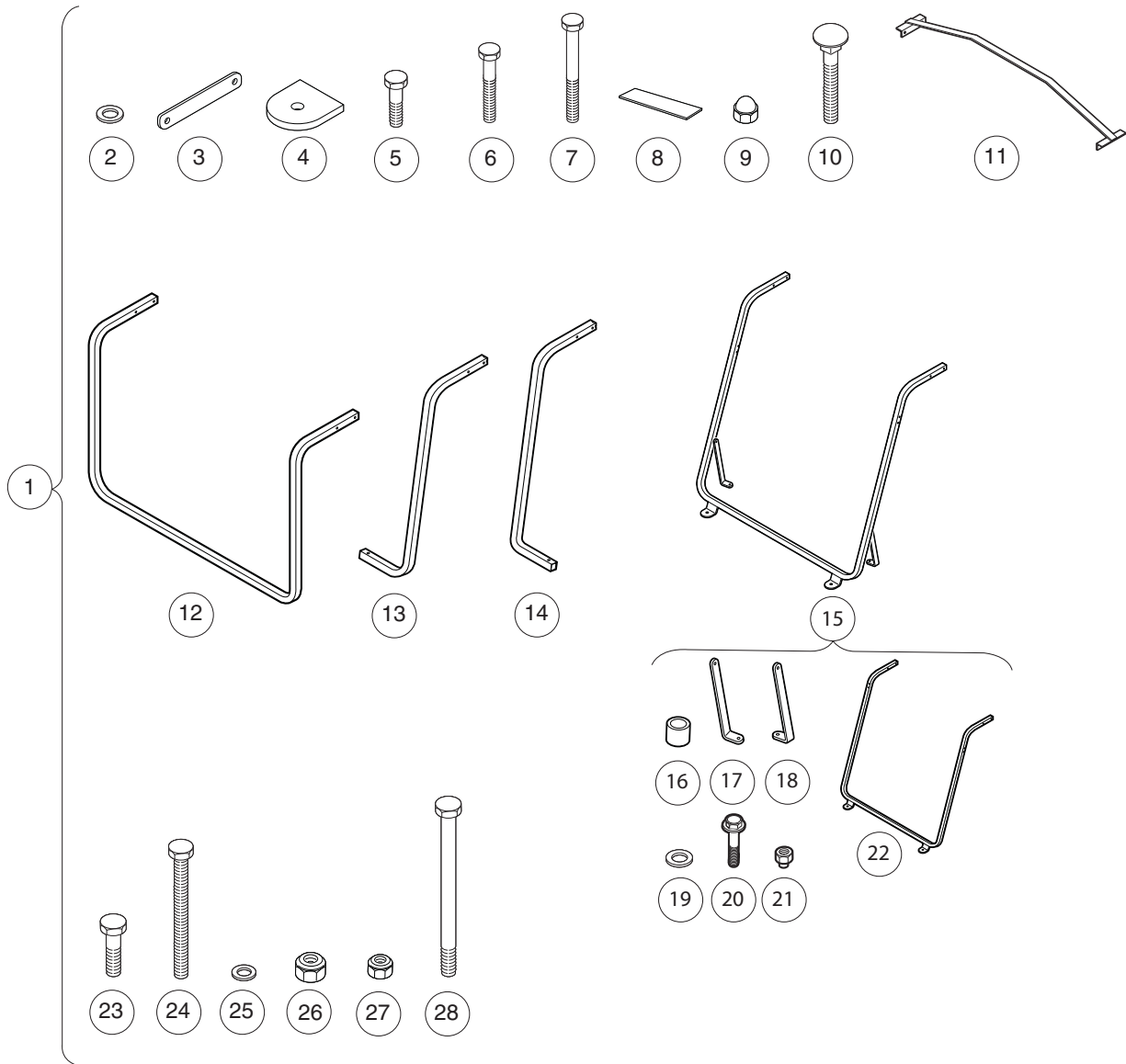
001284-003

CANOPY KIT, WHITE – VILL. 8 WITH REAR-FACING SEATS

| ITEM | PART NO. | DESCRIPTION | QTY |
|------|-----------|---|-----|
| | | 1 2 3 4 | |
| 1 | 101805801 | Canopy Hardware Kit (includes items 2 through 28) | 1 |
| 2 | 1011697 | Washer, 5/16 Flat | 2 |
| 3 | 1011852 | Plate, Canopy Trim | 4 |
| 4 | 1011883 | Pad, Windshield Frame Mounting | 2 |
| 5 | 1011937 | Bolt, 5/16-18 X 1.25 Hex Head | 2 |
| 6 | 1013509 | Screw, 1/4-20 X 1.75 Hx Hd Cap | 4 |
| 7 | 1014201 | Screw, 1/4-20 X 2.25 Hex Cap | 16 |
| 8 | 1014471 | Tape, Vinyl Foam 1/8" x 3/4" | 20 |
| 9 | 1015091 | Nut, 1/4-20 Stainless-Steel Center-Lock Cap | 8 |
| 10 | 1015405 | Bolt, Carriage, 5/16-18 X 2.0 | 2 |
| 11 | 101800201 | Canopy Top Brace Weldment | 2 |
| 12 | 101805601 | Rear Brace XI Canopy | 1 |
| 13 | 101815401 | Canopy Side Brace Lh | 2 |
| 14 | 101815402 | Canopy Side Brace Rh | 2 |
| 15 | 103789601 | W/s Fr / Knee Br, Aluminum (includes items 16 through 22) | 1 |
| 16 | 1010237 | Bushing | 2 |
| 17 | 1011862 | Brace, Right-Hand Canopy Mount Knee | 1 |
| 18 | 1011865 | Brace, Left-Hand Canopy Mount Knee | 1 |
| 19 | 1011964 | Washer, 1/4 Flat | 2 |
| 20 | 102076701 | Screw, 1/4-20 X 1.75 Hex Sems | 2 |
| 21 | 102242401 | Nut - Nylon Insert W/cap | 2 |
| 22 | 103787401 | Asm, Windshield Frame, Alum | 1 |
| 23 | 1218 | Screw, 5/16-18 X 1.25 Hex-Head Cap | 2 |
| 24 | 324 | Screw, 1/4-20 X 2.50 Hx Hd Cap | 12 |
| 25 | 332 | Washer, 1/4 Type A Narrow Flat | 56 |
| 26 | 7473 | Locknut, 5/16-18 Nylon Insert | 2 |
| 27 | 8233 | Locknut, 1/4-20, Nylon Insert | 24 |
| 28 | 8915 | Screw, 5/16-18 X 3.0 Hx Hd Cap | 2 |
| 29 | 101835501 | XI Canopy - White | 1 |

1
G
E

1
G
E



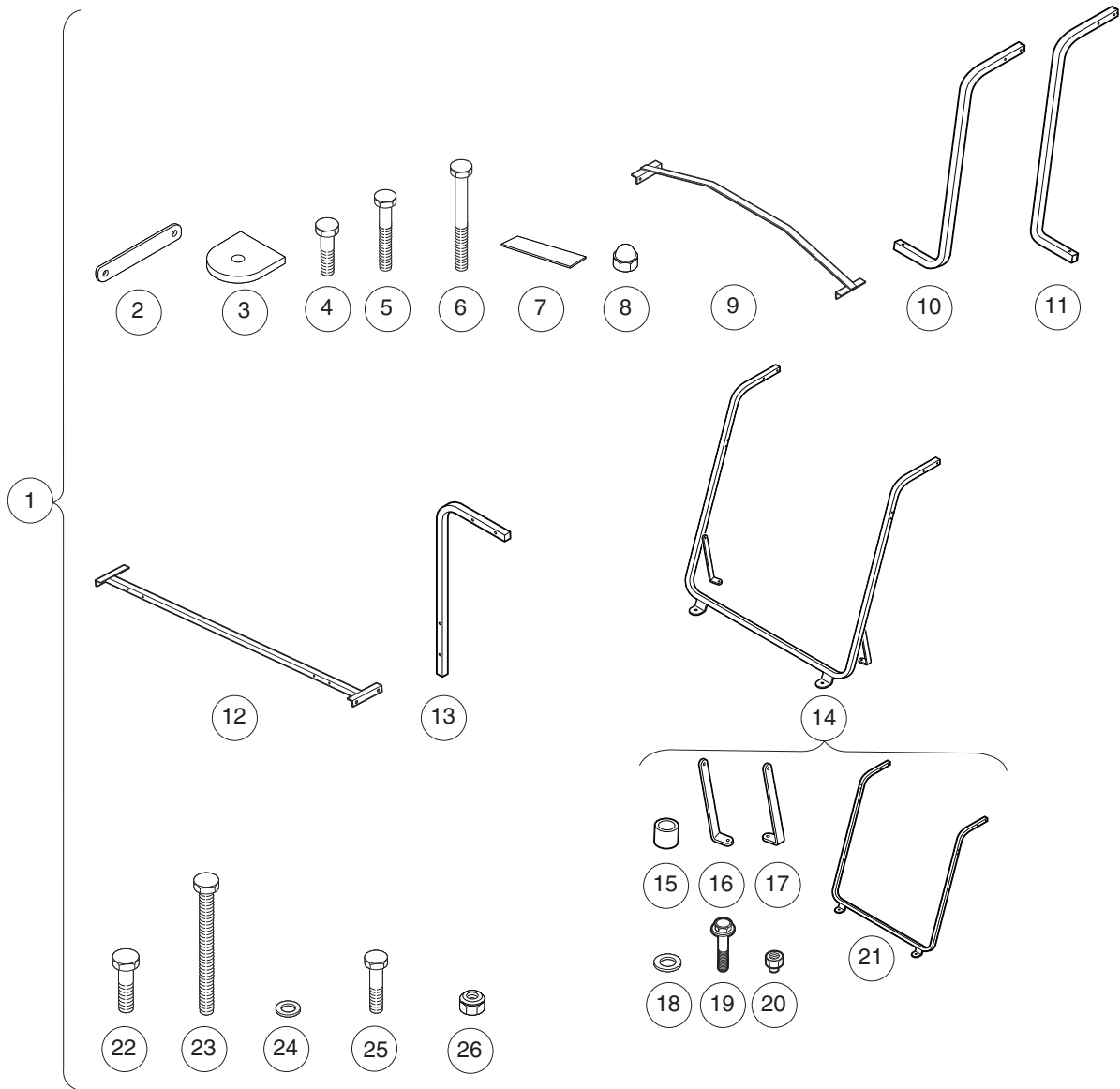
001284-003

CANOPY KIT, BEIGE – VILL. 8 WITH REAR-FACING SEATS

| ITEM | PART NO. | DESCRIPTION | QTY |
|------|-----------|---|-----|
| | | 1 2 3 4 | |
| 1 | 101805801 | Canopy Hardware Kit (includes items 2 through 28) | 1 |
| 2 | 1011697 | Washer, 5/16 Flat | 2 |
| 3 | 1011852 | Plate, Canopy Trim | 4 |
| 4 | 1011883 | Pad, Windshield Frame Mounting | 2 |
| 5 | 1011937 | Bolt, 5/16-18 X 1.25 Hex Head | 2 |
| 6 | 1013509 | Screw, 1/4-20 X 1.75 Hx Hd Cap | 4 |
| 7 | 1014201 | Screw, 1/4-20 X 2.25 Hex Cap | 16 |
| 8 | 1014471 | Tape, Vinyl Foam 1/8" x 3/4" | 20 |
| 9 | 1015091 | Nut, 1/4-20 Stainless-Steel Center-Lock Cap | 8 |
| 10 | 1015405 | Bolt, Carriage, 5/16-18 X 2.0 | 2 |
| 11 | 101800201 | Canopy Top Brace Weldment | 2 |
| 12 | 101805601 | Rear Brace XI Canopy | 1 |
| 13 | 101815401 | Canopy Side Brace Lh | 2 |
| 14 | 101815402 | Canopy Side Brace Rh | 2 |
| 15 | 103789601 | W/s Fr / Knee Br, Aluminum (includes items 16 through 22) | 1 |
| 16 | 1010237 | Bushing | 2 |
| 17 | 1011862 | Brace, Right-Hand Canopy Mount Knee | 1 |
| 18 | 1011865 | Brace, Left-Hand Canopy Mount Knee | 1 |
| 19 | 1011964 | Washer, 1/4 Flat | 2 |
| 20 | 102076701 | Screw, 1/4-20 X 1.75 Hex Sems | 2 |
| 21 | 102242401 | Nut - Nylon Insert W/cap | 2 |
| 22 | 103787401 | Asm, Windshield Frame, Alum | 1 |
| 23 | 1218 | Screw, 5/16-18 X 1.25 Hex-Head Cap | 2 |
| 24 | 324 | Screw, 1/4-20 X 2.50 Hx Hd Cap | 12 |
| 25 | 332 | Washer, 1/4 Type A Narrow Flat | 56 |
| 26 | 7473 | Locknut, 5/16-18 Nylon Insert | 2 |
| 27 | 8233 | Locknut, 1/4-20, Nylon Insert | 24 |
| 28 | 8915 | Screw, 5/16-18 X 3.0 Hx Hd Cap | 2 |
| 29 | 101835502 | XI Canopy - Beige | 1 |

1
G
E

1
G
E



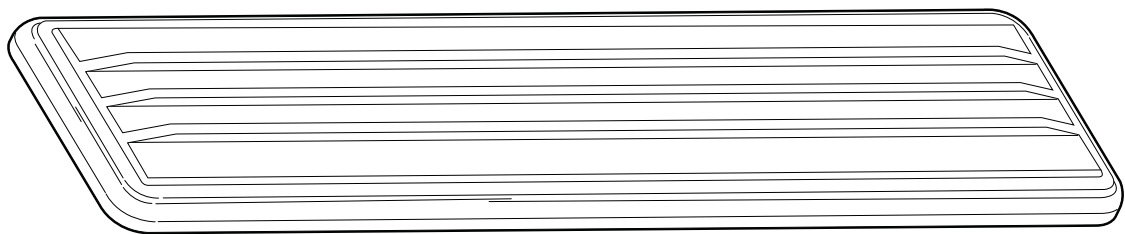
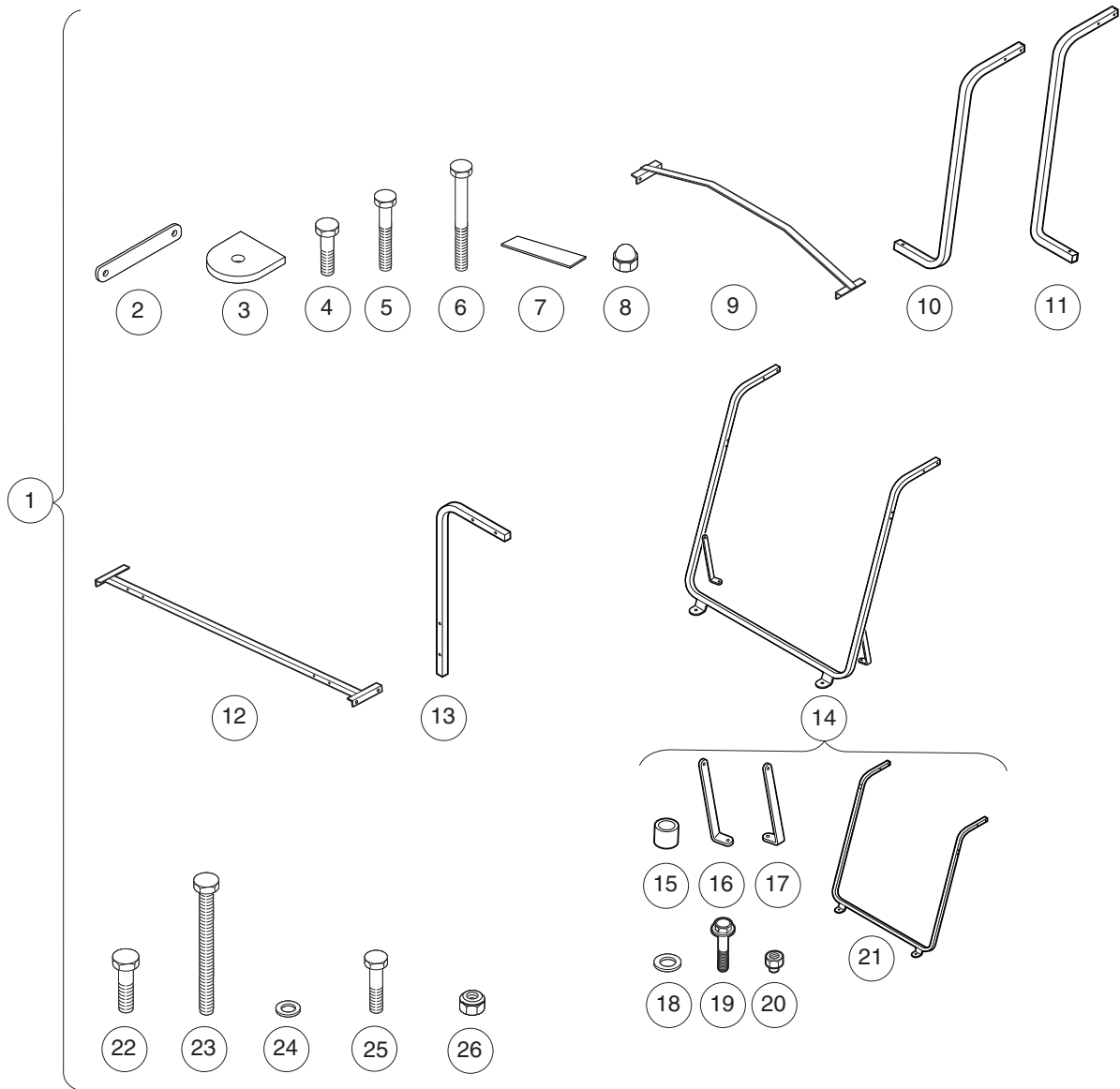
001285-003

CANOPY KIT, WHITE – VILL. 8 WITH FLAT BED

| ITEM | PART NO. | DESCRIPTION | QTY |
|------|-----------|---|-----|
| | | 1 2 3 4 | |
| 1 | 101835001 | Kit, Rv XI Canopy Hardware (includes items 2 through 26) | 1 |
| 2 | 1011852 | Plate, Canopy Trim | 4 |
| 3 | 1011883 | Pad, Windshield Frame Mounting | 2 |
| 4 | 1011937 | Bolt, 5/16-18 X 1.25 Hex Head | 2 |
| 5 | 1013509 | Screw, 1/4-20 X 1.75 Hx Hd Cap | 4 |
| 6 | 1014201 | Screw, 1/4-20 X 2.25 Hex Cap | 8 |
| 7 | 1014471 | Tape, Vinyl Foam 1/8" x 3/4" | 20 |
| 8 | 1015091 | Nut, 1/4-20 Stainless-Steel Center-Lock Cap | 8 |
| 9 | 101800201 | Canopy Top Brace Weldment | 2 |
| 10 | 101805501 | Side Brace XI Canopy L.h. | 2 |
| 11 | 101805502 | Side Brace XI Canopy R.h. | 2 |
| 12 | 101835101 | Rear Cross Brace XI Canopy | 1 |
| 13 | 101835401 | Rear Brace XI Canopy | 2 |
| 14 | 103789601 | W/s Fr / Knee Br, Aluminum (includes items 15 through 21) | 1 |
| 15 | 1010237 | Bushing | 2 |
| 16 | 1011862 | Brace, Right-Hand Canopy Mount Knee | 1 |
| 17 | 1011865 | Brace, Left-Hand Canopy Mount Knee | 1 |
| 18 | 1011964 | Washer, 1/4 Flat | 2 |
| 19 | 102076701 | Screw, 1/4-20 X 1.75 Hex Sems | 2 |
| 20 | 102242401 | Nut - Nylon Insert W/cap | 2 |
| 21 | 103787401 | Asm, Windshield Frame, Alum | 1 |
| 22 | 1218 | Screw, 5/16-18 X 1.25 Hex-Head Cap | 2 |
| 23 | 324 | Screw, 1/4-20 X 2.50 Hx Hd Cap | 16 |
| 24 | 332 | Washer, 1/4 Type A Narrow Flat | 56 |
| 25 | 7479 | Screw, 1/4-20 X 1.25 Hex-Head Cap | 4 |
| 26 | 8233 | Locknut, 1/4-20, Nylon Insert | 24 |
| 27 | 101835501 | XI Canopy - White | 1 |

1
G
E

1
G
E



001285-003

CANOPY KIT, BEIGE – VILL. 8 WITH FLAT BED

| ITEM | PART NO. | DESCRIPTION | QTY |
|------|-----------|---|-----|
| | | 1 2 3 4 | |
| 1 | 101835001 | Kit, Rv XI Canopy Hardware (includes items 2 through 26) | 1 |
| 2 | 1011852 | Plate, Canopy Trim | 4 |
| 3 | 1011883 | Pad, Windshield Frame Mounting | 2 |
| 4 | 1011937 | Bolt, 5/16-18 X 1.25 Hex Head | 2 |
| 5 | 1013509 | Screw, 1/4-20 X 1.75 Hx Hd Cap | 4 |
| 6 | 1014201 | Screw, 1/4-20 X 2.25 Hex Cap | 8 |
| 7 | 1014471 | Tape, Vinyl Foam 1/8" x 3/4" | 20 |
| 8 | 1015091 | Nut, 1/4-20 Stainless-Steel Center-Lock Cap | 8 |
| 9 | 101800201 | Canopy Top Brace Weldment | 2 |
| 10 | 101805501 | Side Brace XI Canopy L.h. | 2 |
| 11 | 101805502 | Side Brace XI Canopy R.h. | 2 |
| 12 | 101835101 | Rear Cross Brace XI Canopy | 1 |
| 13 | 101835401 | Rear Brace XI Canopy | 2 |
| 14 | 103789601 | W/s Fr / Knee Br, Aluminum (includes items 15 through 21) | 1 |
| 15 | 1010237 | Bushing | 2 |
| 16 | 1011862 | Brace, Right-Hand Canopy Mount Knee | 1 |
| 17 | 1011865 | Brace, Left-Hand Canopy Mount Knee | 1 |
| 18 | 1011964 | Washer, 1/4 Flat | 2 |
| 19 | 102076701 | Screw, 1/4-20 X 1.75 Hex Sems | 2 |
| 20 | 102242401 | Nut - Nylon Insert W/cap | 2 |
| 21 | 103787401 | Asm, Windshield Frame, Alum | 1 |
| 22 | 1218 | Screw, 5/16-18 X 1.25 Hex-Head Cap | 2 |
| 23 | 324 | Screw, 1/4-20 X 2.50 Hx Hd Cap | 16 |
| 24 | 332 | Washer, 1/4 Type A Narrow Flat | 56 |
| 25 | 7479 | Screw, 1/4-20 X 1.25 Hex-Head Cap | 4 |
| 26 | 8233 | Locknut, 1/4-20, Nylon Insert | 24 |
| 27 | 101835502 | XI Canopy - Beige | 1 |

1
G
E

1

G

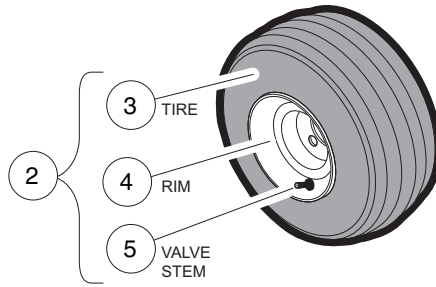
E

WHEELS AND TIRES

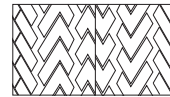
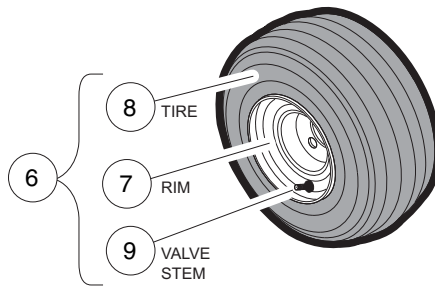
2

G

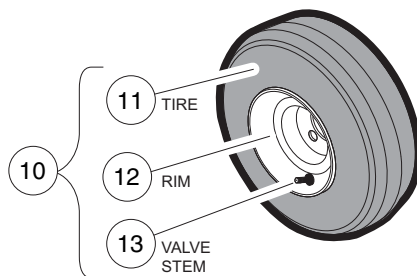
E



EXTRA TRACTION
TREAD



KENDA HOLE-N-ONE
K389 TREAD



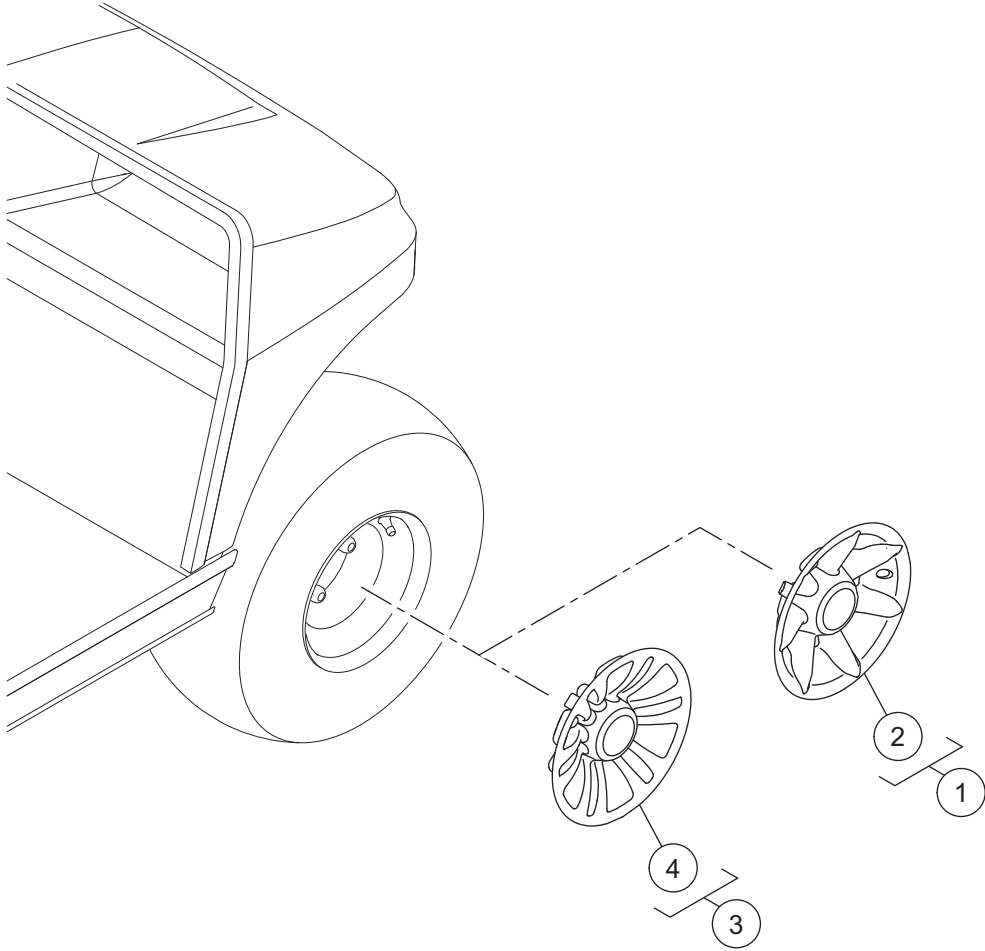
KENDA HOLE-N-ONE
K389 TREAD

000269-018

WHEELS (SILVER) AND TIRES

| ITEM | PART NO. | DESCRIPTION | QTY |
|------|-----------|---|-----|
| | | 1 2 3 4 | |
| 1 | 1010984 | .500-20 Unf Lug Nut | 16 |
| 2 | 103951002 | Assembly, Silver Wheel Kenda, X/t 6ply (includes items 3 through 5) | A/R |
| 3 | 102569302 | Tire, Kenda, 18x8.5-8, 6-ply Xtr | 1 |
| 4 | 103459104 | Wheel Rim, 8"x7", Silver, Std | 1 |
| 5 | 7310 | Valve Stem, Black Plastic | 1 |
| 6 | 103951003 | Asm,silver Whl Kenda, Hn1 6pl (includes items 7 through 9) | A/R |
| 7 | 103459104 | Wheel Rim, 8"x7", Silver, Std | 1 |
| 8 | 103658601 | Tire, Kenda Hn1, 6pl | 1 |
| 9 | 7310 | Valve Stem, Black Plastic | 1 |
| 10 | 103951004 | Asm,silver Whl Kenda,6.5" 6pl (includes items 11 through 13) | A/R |
| 11 | 103722901 | Tire, Kenda Hole-N-One, 18x6.5 - 8, Prem, 6-Ply | 1 |
| 12 | 103723003 | Wheel Rim, 8 X 5.375, Silver | 1 |
| 13 | 7310 | Valve Stem, Black Plastic | 1 |

2
G
E



001203-002

WHEEL COVERS

| ITEM | PART NO. | DESCRIPTION | QTY |
|------|-----------|--|-----|
| | | 1 2 3 4 | |
| 1 | 102559901 | Hub Cap Kit (includes item 2) | 1 |
| 2 | 103694501 | Hub Cap, 7 Prong | 4 |
| 3 | 102559902 | Kit, Wheel Cover, 12 Spk (includes item 4) | 1 |
| 4 | 105142401 | Wheel Cover, 12 Spk, 8", Slvr | 4 |

2
G
E

2

G

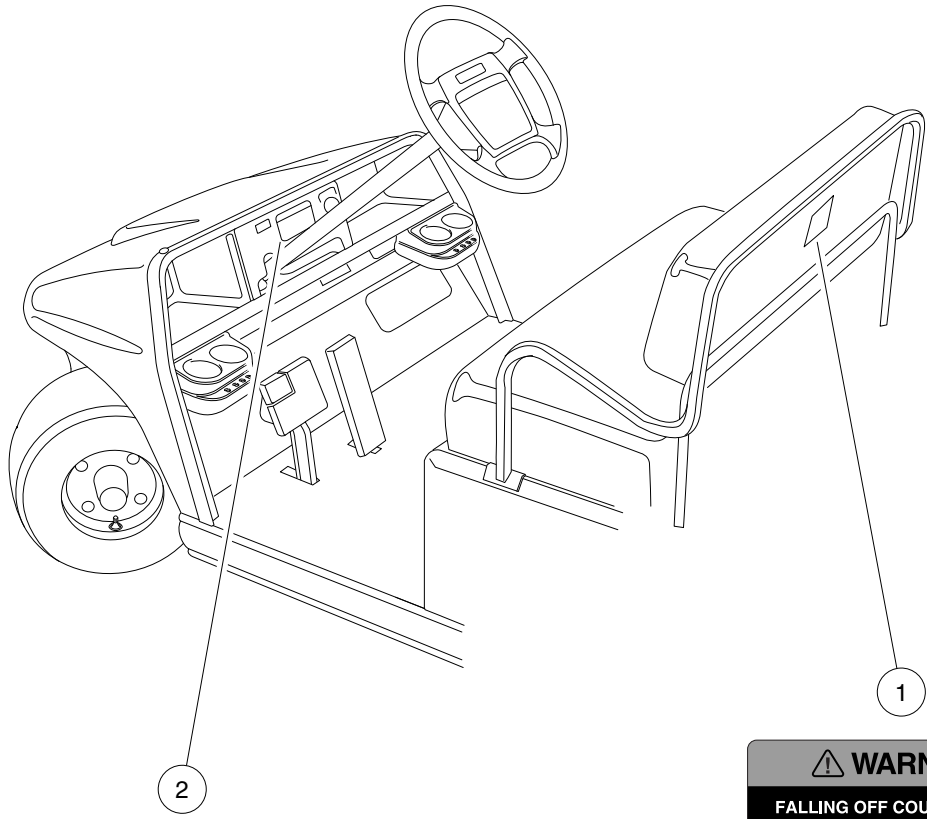
E

DECALS

3

G

E



⚠ WARNING

ROLLOVER OR FALLING OFF MAY CAUSE DEATH.

- Before using vehicle, read operating instructions.
- Remain seated and hold on to seat handle while moving.
- Do not start vehicle until all occupants are seated.
- Two (2) persons per seat maximum.
- Operate from driver side only and not on public roads.
- Keep entire body inside vehicle while moving.
- Drive slowly in turns and straight up and down slopes.
- Do not leave children unattended on vehicle.
- Never operate under the influence of alcohol or drugs.
- Use brakes to reduce speed when coasting downhill.
- Never stand in front of or behind vehicle.

CC# 103205401

⚠ WARNING

FALLING OFF COULD RESULT IN SEVERE INJURY OR DEATH

- Remain seated with entire body inside vehicle and hold on to seat handle or handrail at all times.
- Two (2) persons per bench seat maximum.
- One (1) person per bucket seat maximum.
- Do not leave children unattended on vehicle at anytime.
- Never stand in front of or behind vehicle.

CC# 101705701

000374-002

DECALS – VILLAGER 6 GAS AND IQ PLUS

| ITEM | PART NO. | DESCRIPTION | QTY |
|------|-----------|-------------------------------------|-----|
| | | 1 2 3 4 | |
| 1 | 101705701 | Decal, Warning | 1 |
| 2 | 103961601 | Decal, Warn, Rollover, Ds Utl | 1 |

3
G
E

3
G
E

OPERATING INSTRUCTIONS

Before using vehicle, read owner's manual and vehicle safety warnings. Study and understand controls.

TO OPERATE

- Ensure wheels are turned in desired direction and path is clear.
- Turn key to ON position.
- Select FORWARD or REVERSE only when stopped.
- Release park brake fully.
- Vehicle will start moving when accelerator pedal is pressed.
- Slowly press accelerator pedal to increase speed.
- During operation, beeping alarm indicates reduction in motor braking.
- To stop, release accelerator pedal and press brake pedal.

WARNING

Unintended vehicle movement may cause severe injury or death. Before leaving vehicle:

- Engage park brake to lock wheels.
- Place vehicle in NEUTRAL.
- Turn key to OFF and remove key.

103783001

DANGER / POISON

SHIELD EYES
EXPLOSIVE GASES CAN CAUSE BLINDNESS OR INJURY

NO SPARKS
FLAMES
SMOKING

SULFURIC ACID CAN CAUSE BLINDNESS OR SEVERE BURNS

FLUSH EYES IMMEDIATELY WITH WATER
GET MEDICAL HELP FAST

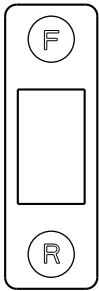
KEEP OUT OF THE REACH OF CHILDREN - DO NOT TIP - KEEP VENT CAPS TIGHT AND LEVEL

CAUTION

EXPOSURE TO WATER MAY DAMAGE ELECTRONIC COMPONENTS

- Do not operate vehicle without this cover properly installed.
- Do not direct water stream in the area of the cover without cover securely in place.
- See vehicle maintenance and service manual before servicing.

CCI 102516301



WARNING

AVOID FIRE HAZARD

- Replacement battery wires must be 4-gauge (AWG) with low-resistance terminals equivalent to factory-installed wires.
- Ensure that battery connections are clean and properly tightened. See owner's manual.

CCI 102967601

WARNING

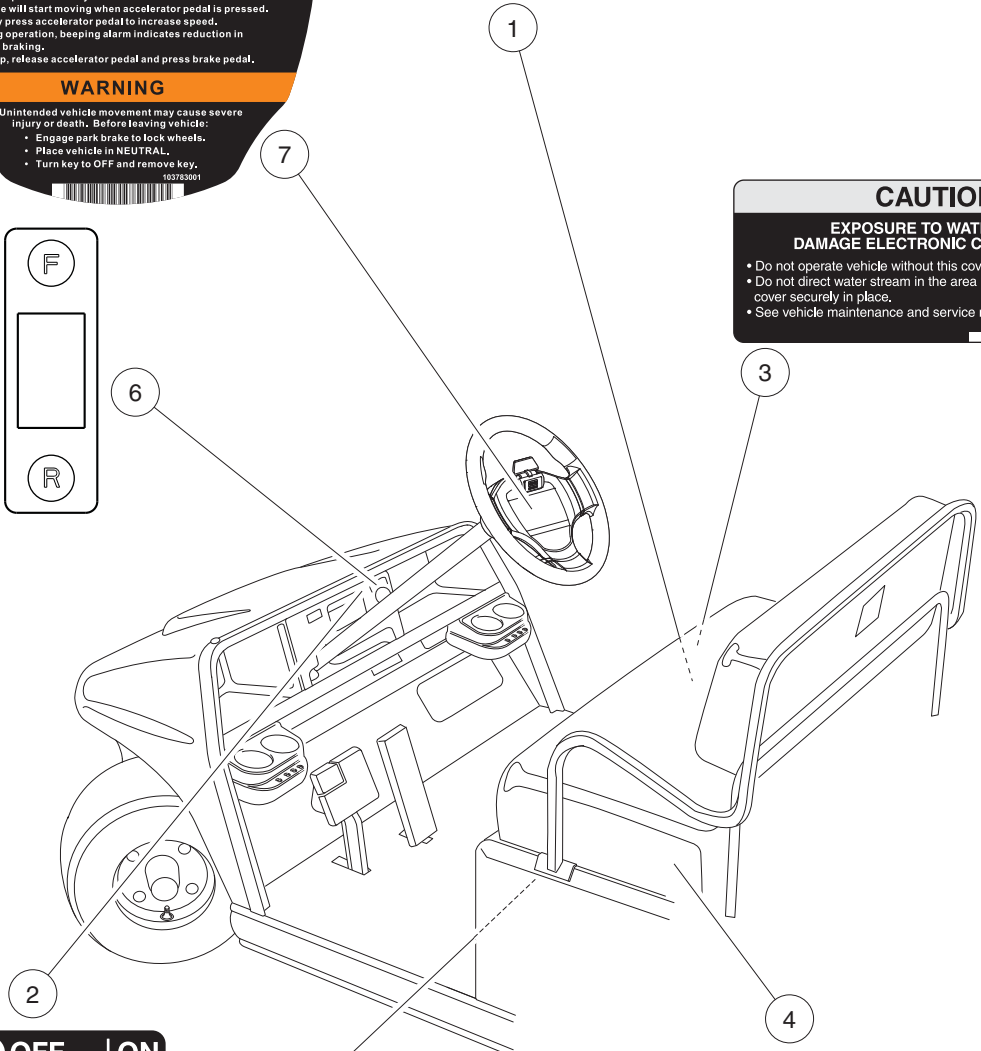
BATTERY EXPLOSION COULD RESULT IN SEVERE PERSONAL INJURY.

- Do not store items in battery compartment.
- Place Run/Tow switch in TOW position before:
 - Disconnecting or connecting battery cables
 - Towing this vehicle
 - Extended storage
 - Servicing the vehicle

NORMAL TRIPPED

TOW RUN

CCI 102845101

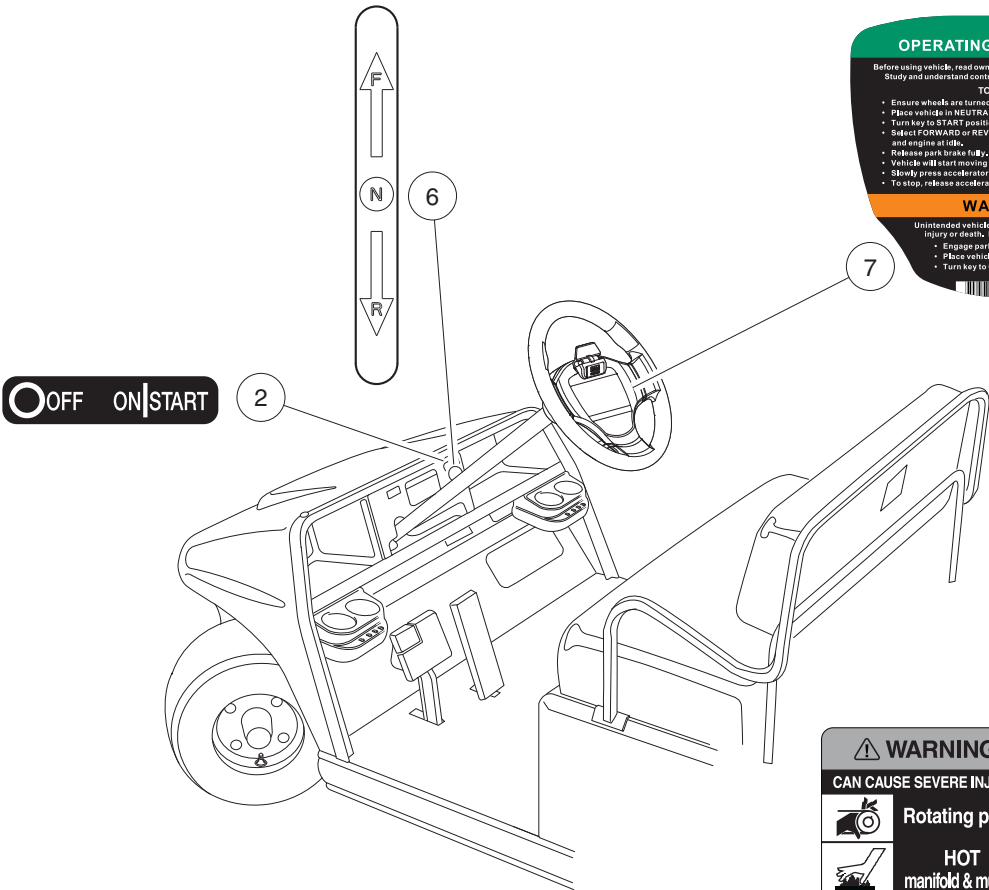


001292-001

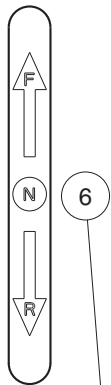
DECALS – VILLAGER 6 IQ PLUS VEHICLE ONLY

| ITEM | PART NO. | DESCRIPTION | QTY |
|------|-----------|--|-----|
| | | 1 2 3 4 | |
| 1 | 1013677 | Decal, Battery Danger | 1 |
| 2 | 101825101 | Decal, Off/On | 1 |
| 3 | 102518301 | Decal, Caution, Electrical Component Cover | 1 |
| 4 | 102845101 | Decal, Tow Switch | 1 |
| 5 | 102967601 | Decal, Warning, 4 Gauge Wire | 1 |
| 6 | 103210301 | Decal, Forward/Reverse, Electric | 1 |
| 7 | 103783001 | Decal, Op Instr, Ele | 1 |

3
G
E



OFF ON START



OPERATING INSTRUCTIONS

Before using vehicle, read owner's manual and vehicle safety warnings. Study and understand controls.

TO OPERATE

- Ensure wheels are turned in desired direction and path is clear.
- Place vehicle in NEUTRAL and press brake pedal.
- Turn key to START position and hold until engine starts.
- Select FORWARD or REVERSE only when stopped and engine at idle.
- Release park brake fully.
- Vehicle will start moving when accelerator pedal is pressed.
- Slowly press accelerator pedal to increase speed.
- To stop, release accelerator pedal and press brake pedal.

WARNING

Unintended vehicle movement may cause severe injury or death. Before leaving vehicle:

- Engage park brake to lock wheels.
- Place vehicle in NEUTRAL.
- Turn key to OFF and remove key.

10382003

WARNING

GASOLINE EXPLOSION / FIRE.

- Can cause severe injury or death.
- No smoking, sparks, or open flame.
- Stop engine, allow to cool before refueling.
- Turn fuel valve (←) on during operation. (→) off during storage or transport.

CCI 101547601

WARNING

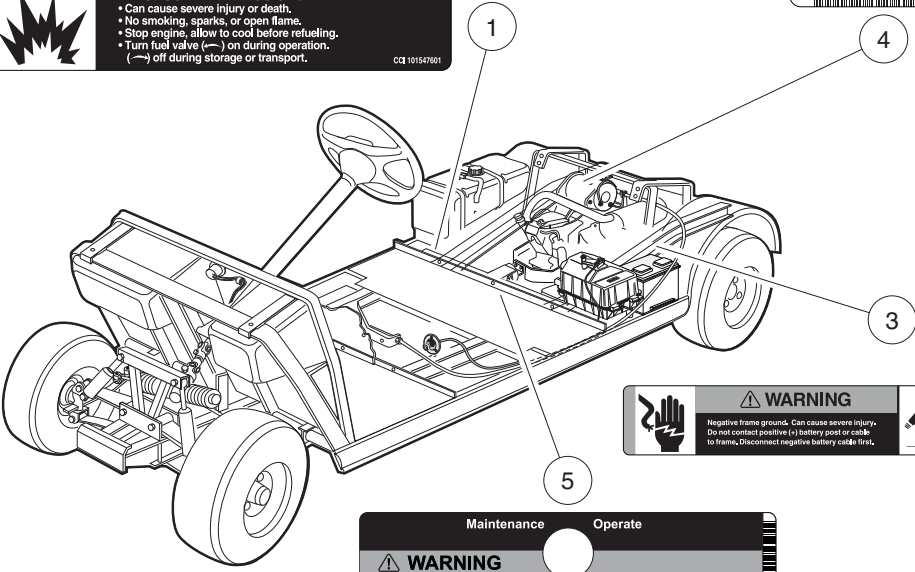
CAN CAUSE SEVERE INJURY

Rotating parts

HOT manifold & muffler

KEEP CLEAR

CCI 101960501



WARNING

Negative frame ground. Can cause severe injury. Do not contact positive (+) battery post or cable to frame. Disconnect negative battery cable first.

WARNING

Excessive speed can cause severe injury or death. Do not tamper with engine governor adjustment.

CCI 10382003

Maintenance Operate

WARNING

VEHICLE MOVEMENT MAY CAUSE SERIOUS INJURY

When switch is in Maintenance position, chock wheels and firmly set park brake.

CCI 10320501

001293-001

DECALS – VILLAGER 6 GASOLINE VEHICLE ONLY

| ITEM | PART NO. | DESCRIPTION | QTY |
|------|-----------|--|-----|
| | | 1 2 3 4 | |
| 1 | 101547601 | Decal, Gasoline Explosion/Fire Warning | 1 |
| 2 | 101825102 | Decal, Off/On/Start | 1 |
| 3 | 101915201 | Decal, Frame Ground and Governor Warning | 1 |
| 4 | 101960501 | Decal, Rotating Parts/Hot Manifold | 1 |
| 5 | 103205501 | Decal, Maintenance/Operate Switch | 1 |
| 6 | 103210201 | Decal, Forward/Reverse, Gas | 1 |
| 7 | 103783003 | Decal, Op Instr, Gas Ks | 1 |

3
G
E

⚠ WARNING

ROLLOVER OR FALLING OFF MAY CAUSE DEATH.

- Before using vehicle, read operating instructions.
- Remain seated and hold on to seat handle while moving.
- Do not start vehicle until all occupants are seated.
- Two (2) persons per seat maximum.
- Operate from driver side only and not on public roads.
- Keep entire body inside vehicle while moving.
- Drive slowly in turns and straight up and down slopes.
- Do not leave children unattended on vehicle.
- Never operate under the influence of alcohol or drugs.
- Use brakes to reduce speed when coasting downhill.
- Never stand in front of or behind vehicle.

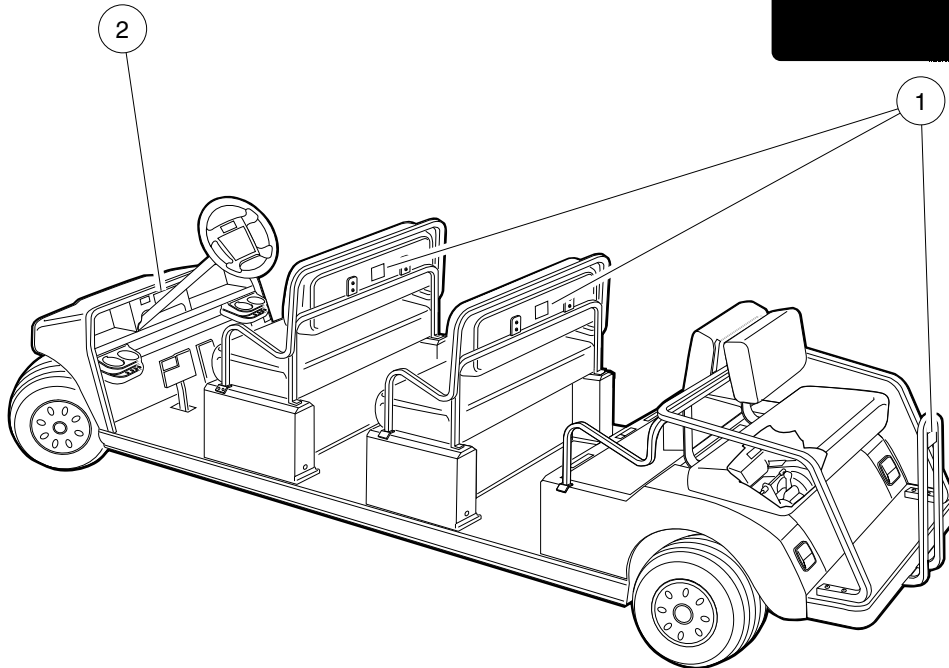
CCJ 103205401

⚠ WARNING

FALLING OFF COULD RESULT IN SEVERE INJURY OR DEATH

- Remain seated with entire body inside vehicle and hold on to seat handle or handrail at all times.
- Two (2) persons per bench seat maximum.
- One (1) person per bucket seat maximum.
- Do not leave children unattended on vehicle at anytime.
- Never stand in front of or behind vehicle.

CCJ 101705701



000377-002

DECALS – VILLAGER 8 GAS AND IQ PLUS

| ITEM | PART NO. | DESCRIPTION | QTY |
|------|-----------|-------------------------------------|-----|
| | | 1 2 3 4 | |
| 1 | 101705701 | Decal, Warning | 3 |
| 2 | 103961601 | Decal, Warn, Rollover, Ds Utl | 1 |

3
G
E

OPERATING INSTRUCTIONS

Before using vehicle, read owner's manual and vehicle safety warnings. Study and understand controls.

TO OPERATE

- Ensure wheels are turned in desired direction and path is clear.
- Turn key to ON position.
- Select FORWARD or REVERSE only when stopped.
- Release park brake fully.
- Vehicle will start moving when accelerator pedal is pressed.
- Slowly press accelerator pedal to increase speed.
- During operation, beeping alarm indicates reduction in motor braking.
- To stop, release accelerator pedal and press brake pedal.

WARNING

Unintended vehicle movement may cause severe injury or death. Before leaving vehicle:

- Engage park brake to lock wheels.
- Place vehicle in NEUTRAL.
- Turn key to OFF and remove key.

103763001

OFF | ON

CAUTION

EXPOSURE TO WATER MAY DAMAGE ELECTRONIC COMPONENTS

- Do not operate vehicle without this cover properly installed.
- Do not direct water stream in the area of the cover without cover securely in place.
- See vehicle maintenance and service manual before servicing.

CCI 102518301

WARNING

AVOID FIRE HAZARD

- Replacement battery wires must be 4-gauge (AWG) with low-resistance terminals equivalent to factory-installed wires.
- Ensure that battery connections are clean and properly tightened. See owner's manual.

CCI 102967601

WARNING

BATTERY EXPLOSION COULD RESULT IN SEVERE PERSONAL INJURY.

- Do not store items in battery compartment.
- Place Run/Tow switch in TOW position before:
 - Disconnecting or connecting battery cables
 - Towing this vehicle
 - Extended storage
 - Servicing the vehicle

| | | |
|------------|-----------------------|-------------|
| NORMAL | <input type="radio"/> | TRIPPED |
| TOW | <input type="radio"/> | RUN |

CCI 102845101

001294-001

DECALS – VILLAGER 8 IQ PLUS VEHICLE ONLY

| ITEM | PART NO. | DESCRIPTION | QTY |
|------|-----------|--|-----|
| | | 1 2 3 4 | |
| 1 | 101825101 | Decal, Off/On | 1 |
| 2 | 102518301 | Decal, Caution, Electrical Component Cover | 1 |
| 3 | 102845101 | Decal, Tow Switch | 1 |
| 4 | 102967601 | Decal, Warning, 4 Gauge Wire | 2 |
| 5 | 103210301 | Decal, Forward/Reverse, Electric | 1 |
| 6 | 103783001 | Decal, Op Instr, Ele | 1 |

3
G
E

**3
G
E**

OPERATING INSTRUCTIONS

Before using vehicle, read owner's manual and vehicle safety warnings. Study and understand controls.

TO OPERATE

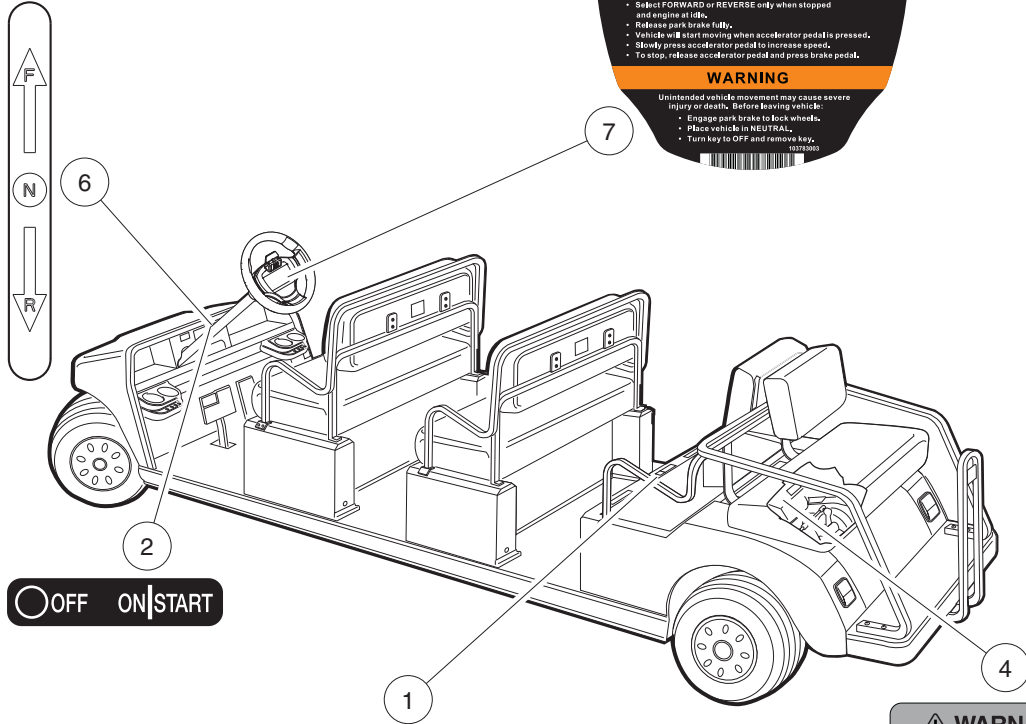
- Ensure wheels are turned in desired direction and path is clear.
- Place vehicle in NEUTRAL and press brake pedal.
- Turn key to START position and hold until engine starts.
- Select FORWARD or REVERSE only when stopped and engine at idle.
- Release park brake fully.
- Vehicle will start moving when accelerator pedal is pressed.
- Slowly press accelerator pedal to increase speed.
- To stop, release accelerator pedal and press brake pedal.

WARNING

Unintended vehicle movement may cause severe injury or death. Before leaving vehicle:

- Engage park brake to lock wheels.
- Place vehicle in NEUTRAL.
- Turn key to OFF and remove key.

103793003



WARNING

GASOLINE EXPLOSION / FIRE.

- Can cause severe injury or death.
- No smoking, sparks, or open flame.
- Stop engine, allow to cool before refueling.
- Turn fuel valve (←) on during operation. (→) off during storage or transport.

CC1 101547601

WARNING

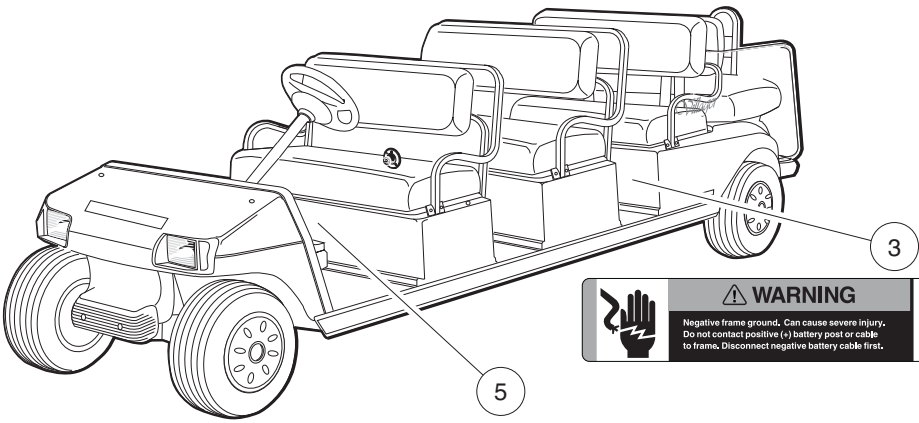
CAN CAUSE SEVERE INJURY

Rotating parts

HOT manifold & muffler

KEEP CLEAR

CC1 101960501



WARNING

Negative frame ground. Can cause severe injury. Do not contact positive (+) battery post or cable to frame. Disconnect negative battery cable first.

WARNING

Excessive speed can cause severe injury or death. Do not tamper with engine governor adjustment.

CC1 101915201

Maintenance Operate

WARNING

VEHICLE MOVEMENT MAY CAUSE SERIOUS INJURY

When switch is in Maintenance position, chock wheels and firmly set park brake.

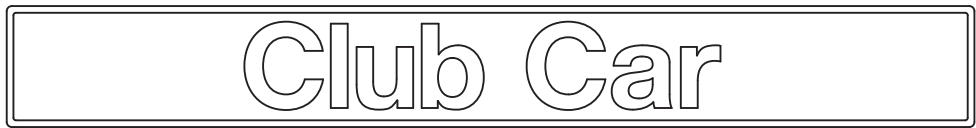
CC1 103205501

001295-001

DECALS – VILLAGER 8 GASOLINE VEHICLE ONLY

| ITEM | PART NO. | DESCRIPTION | QTY |
|------|-----------|--|-----|
| | | 1 2 3 4 | |
| 1 | 101547601 | Decal, Gasoline Explosion/Fire Warning | 1 |
| 2 | 101825102 | Decal, Off/On/Start | 1 |
| 3 | 101915201 | Decal, Frame Ground and Governor Warning | 1 |
| 4 | 101960501 | Decal, Rotating Parts/Hot Manifold | 2 |
| 5 | 103205501 | Decal, Maintenance/Operate Switch | 1 |
| 6 | 103210201 | Decal, Forward/Reverse, Gas | 1 |
| 7 | 103783003 | Decal, Op Instr, Gas Ks | 1 |

3
G
E



1

(ON FRONT OF COWL)



2

(ON REAR BODY)



3

(ON REAR BODY)

000380-001

BADGING DECALS – VILLAGER

| ITEM | PART NO. | DESCRIPTION | QTY |
|------|-----------|------------------------------|-----|
| | | 1 2 3 4 | |
| 1 | 1014198 | Nameplate Kit (gold) | 1 |
| 2 | 102158701 | Decal, Villager | 2 |
| 3 | 103234303 | Decal, Badge, Ir Black | 2 |





1

000422-003

IQ PLUS LOGO DECAL – IQ PLUS VEHICLES ONLY

| ITEM | PART NO. | DESCRIPTION | QTY |
|------|-----------|--------------------------------------|-----|
| 1 | 103464801 | 1 2 3 4 Decal, Iq Plus, Zev | 2 |

3
G
E

3

G

E

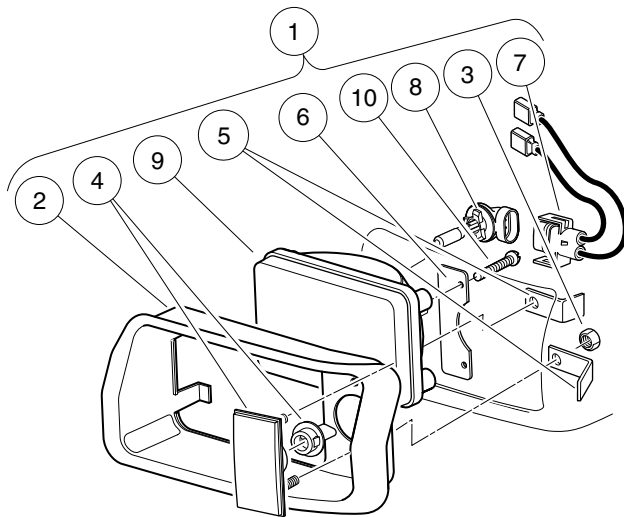
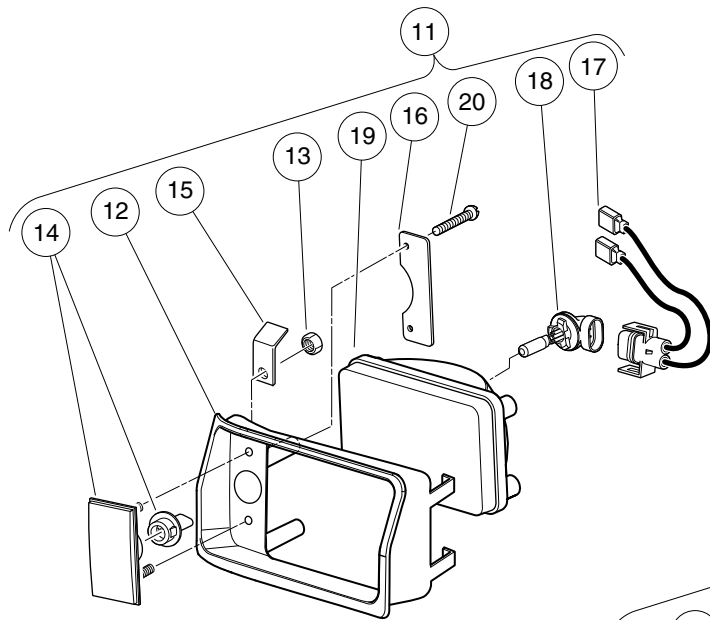
LIGHTS, CONTROLS, AND INDICATORS

4

G

E

4
G
E



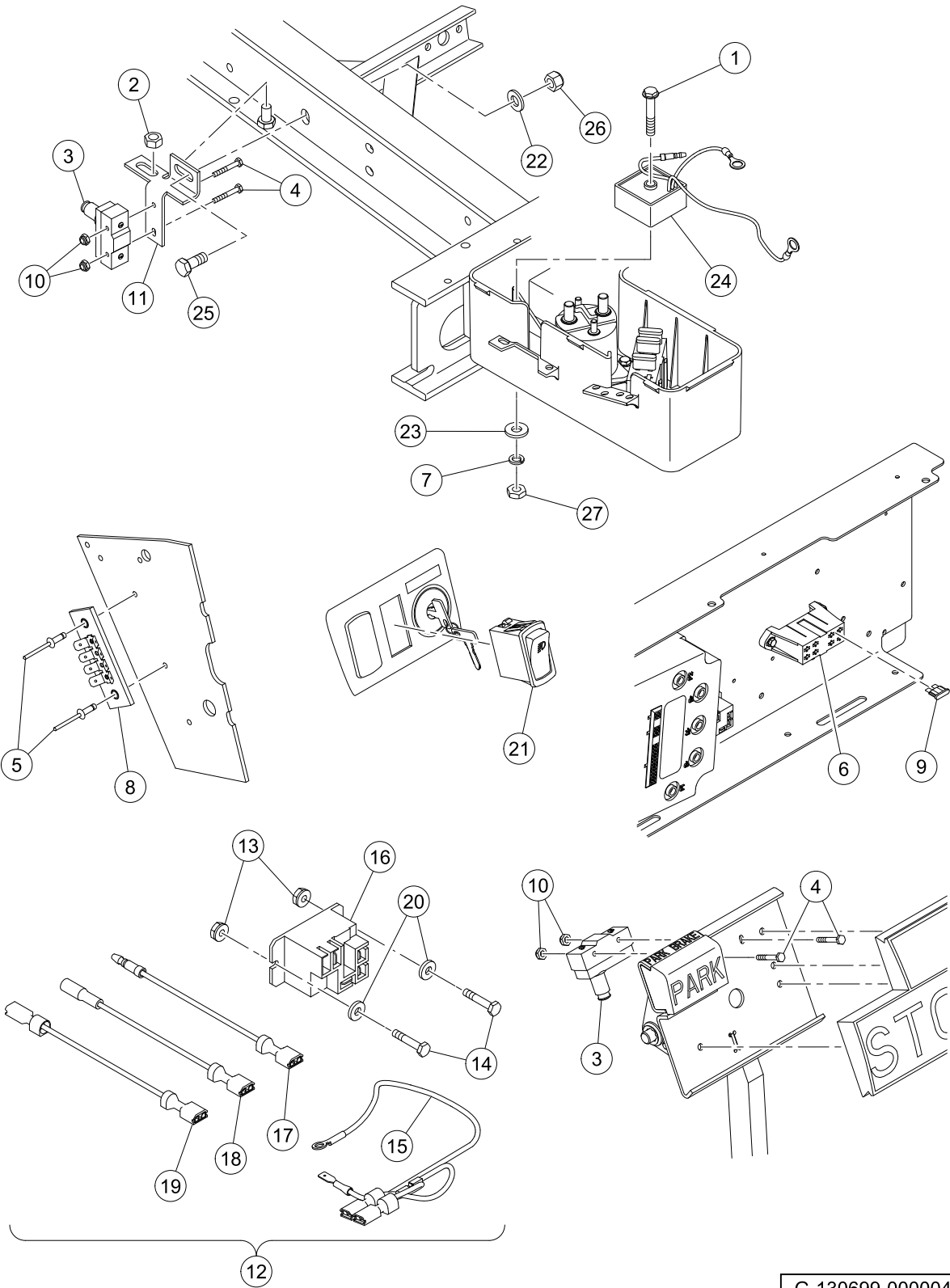
001097-001

HEADLIGHTS

| ITEM | PART NO. | DESCRIPTION | QTY |
|------|-----------|---|-----|
| | | 1 2 3 4 | |
| 1 | 101988001 | Headlight Assembly, Driver-Side Single Beam (includes items 2 through 10) | 1 |
| 2 | 1016880 | Headlight Bezel, Left | 1 |
| 3 | 1017 | Nut, #10-24 Stainless-Steel Hex Machine | 2 |
| 4 | 1017062 | Turn Signal Lens Assy | 1 |
| 5 | 1017064 | Mounting Bracket | 2 |
| 6 | 1017065 | Retainer, Headlight | 1 |
| 7 | 101987901 | Connector, Harness Assembly, Headlight | 1 |
| 8 | 101988101 | Bulb, Headlight | 1 |
| 9 | 101988201 | Lens, Headlight | 1 |
| 10 | 1620 | Screw, #10-16 X 0.75 Pan-Head Tap | 2 |
| 11 | 101988002 | Headlight Assy, Passenger-Side Single Beam (includes items 12 through 20) | 1 |
| 12 | 1016879 | Headlight Bezel, Right | 1 |
| 13 | 1017 | Nut, #10-24 Stainless-Steel Hex Machine | 2 |
| 14 | 1017062 | Turn Signal Lens Assy | 1 |
| 15 | 1017064 | Mounting Bracket | 2 |
| 16 | 1017065 | Retainer, Headlight | 1 |
| 17 | 101987901 | Connector, Harness Assembly, Headlight | 1 |
| 18 | 101988101 | Bulb, Headlight | 1 |
| 19 | 101988201 | Lens, Headlight | 1 |
| 20 | 1620 | Screw, #10-16 X 0.75 Pan-Head Tap | 2 |

4
G
E

4
G
E



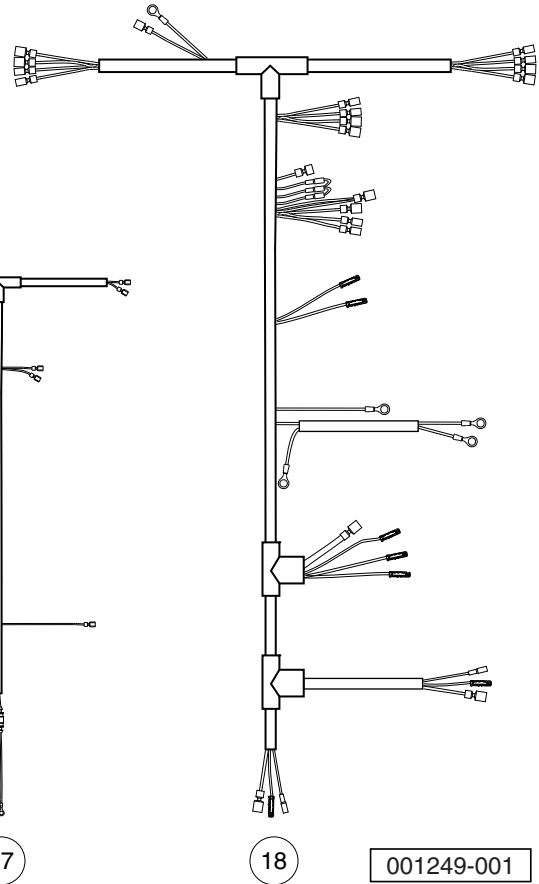
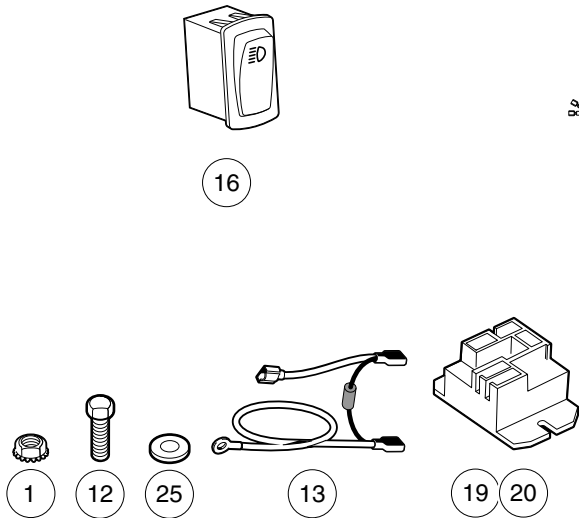
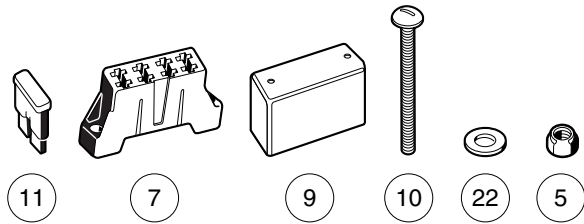
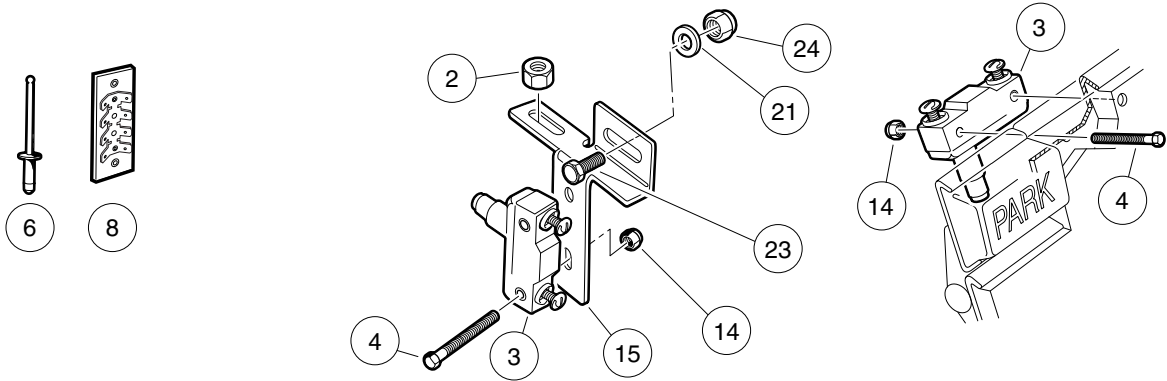
G-130699-000004

LIGHTING SYSTEM COMPONENTS – TRANSPORTATION GASOLINE VEHICLES

| ITEM | PART NO. | DESCRIPTION | QTY |
|--|-------------|--|-----|
| | | 1 2 3 4 | |
| 1 | 1010909 | Screw, #10-32 X 1.25 Rd Hd Mch | 1 |
| 2 | 1011280 | Locknut, 5/16-18 | 1 |
| 3 | 1011439 | Switch, Limit | 2 |
| 4 | 1011557 | Screw, #6-32 X 1.00 Hex-Head Machine | 4 |
| 5 | 1013357 | Rivet, 5/32 Aluminum Pop | 2 |
| 6 | 1015741 | Fuse Block | 1 |
| 7 | 1016 | Lockwasher, #10 Split | 1 |
| 8 | 1016356 | Terminal Block with Insulator | 1 |
| 9 | 1016423 | Fuse, 20-Amp | 3 |
| 10 | 101932201 | Locknut, #6-32 Nylon | 4 |
| 11 | 101957101 | Bracket, Brake Light Switch | 1 |
| 12 | 102198701 | Brake Relay Kit - 12v (includes items 13 through 20) | 1 |
| 13 | 1011229 | Locknut, #6-32 Whiz | 2 |
| 14 | 1017853 | Screw, #6-32 X 0.75 Hex-Head Machine | 2 |
| 15 | 101914401 | Assembly, Voltage Suppressor | 1 |
| 16 | 102199001 | Relay, 12-Volt | 1 |
| 17 | 102199201 | Wire Asm #18 Brown | 1 |
| 18 | 102199301 | Wire Asm #18 Black | 1 |
| 19 | 102199401 | Wire Asm #18 Black | 1 |
| 20 | 7591 | Washer, #6, Flat | 2 |
| 21 | 102869401 | Switch, Rocker, Light | 1 |
| 22 | 1241 | Washer, 5/16 Type A Flat | 1 |
| 23 | 183 | Washer, #10, Type A, Flat | 1 |
| 24 | 47604303001 | Voltage Limiter, Gas | 1 |
| 25 | 7173 | Screw, 5/16-18 X 0.75, Hex-Head Cap | 1 |
| 26 | 7473 | Locknut, 5/16-18 Nylon Insert | 1 |
| 27 | 7893 | Nut, #10-32 Hex | 1 |
| <p>Note: The Villager 6 and 8 and TransPorter gasoline models have wiring for lights built into the main wire harness.</p> | | | |

4
G
E

4
G
E



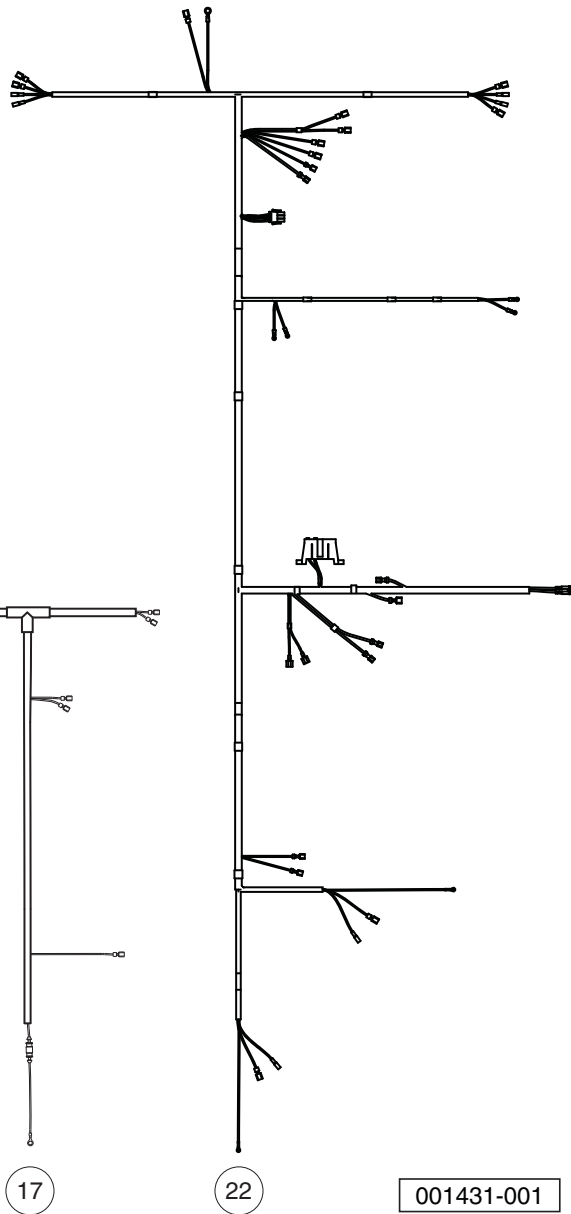
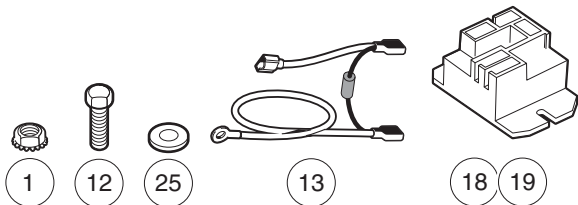
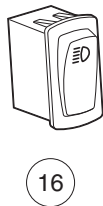
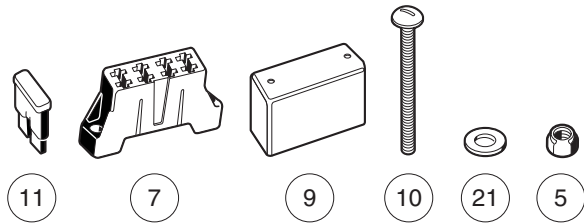
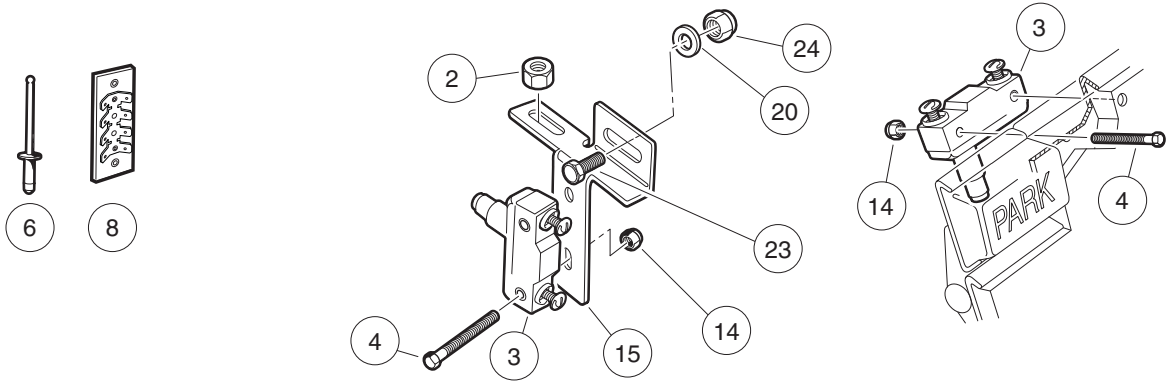
001249-001

LIGHTING SYSTEM COMPONENTS – CA6/VILL. 6/TPORTER ELEC. WITH IQ PLUS CHARGER

| ITEM | PART NO. | DESCRIPTION | QTY |
|--|-----------|---|-----|
| | | 1 2 3 4 | |
| 1 | 1011229 | Locknut, #6-32 Whiz | 2 |
| 2 | 1011280 | Locknut, 5/16-18 | 1 |
| 3 | 1011439 | Switch, Limit | 2 |
| 4 | 1011557 | Screw, #6-32 X 1.00 Hex-Head Machine | 4 |
| 5 | 1012438 | Locknut, #10-24 Nylon Insert | 2 |
| 6 | 1013357 | Rivet, 5/32 Aluminum Pop | 2 |
| 7 | 1015741 | Fuse Block | 1 |
| 8 | 1016356 | Terminal Block with Insulator | 1 |
| 9 | 1016363 | Fuse Block Cover | 1 |
| 10 | 1016366 | Screw, #10-24 X 3.0 Pan-Head Machine | 2 |
| 11 | 1016423 | Fuse, 20-Amp | 3 |
| 12 | 1017853 | Screw, #6-32 X 0.75 Hex-Head Machine | 2 |
| 13 | 101914401 | Assembly, Voltage Suppressor | 1 |
| 14 | 101932201 | Locknut, #6-32 Nylon | 4 |
| 15 | 101957101 | Bracket, Brake Light Switch | 1 |
| 16 | 102869401 | Switch, Rocker, Light | 1 |
| 17 | 103255701 | Wire Harness, Headlights-Only, CA, Electric | 1 |
| 18 | 103257101 | Wire Harness, Lighting Package, Stretch, Electric | 1 |
| 19 | 103414901 | Kit, Relay, 48v 30a W/instr (includes item 20) | 1 |
| 20 | 103397901 | Relay, Spst No, 48v 30a, Pmt | 1 |
| 21 | 1241 | Washer, 5/16 Type A Flat | 1 |
| 22 | 183 | Washer, #10, Type A, Flat | 4 |
| 23 | 7173 | Screw, 5/16-18 X 0.75, Hex-Head Cap | 1 |
| 24 | 7473 | Locknut, 5/16-18 Nylon Insert | 1 |
| 25 | 7591 | Washer, #6, Flat | 2 |
| <p>Note: Use item 17 for headlights only. NOTE 2: Use item 18 for headlights and taillights.</p> | | | |

4
G
E

4
G
E



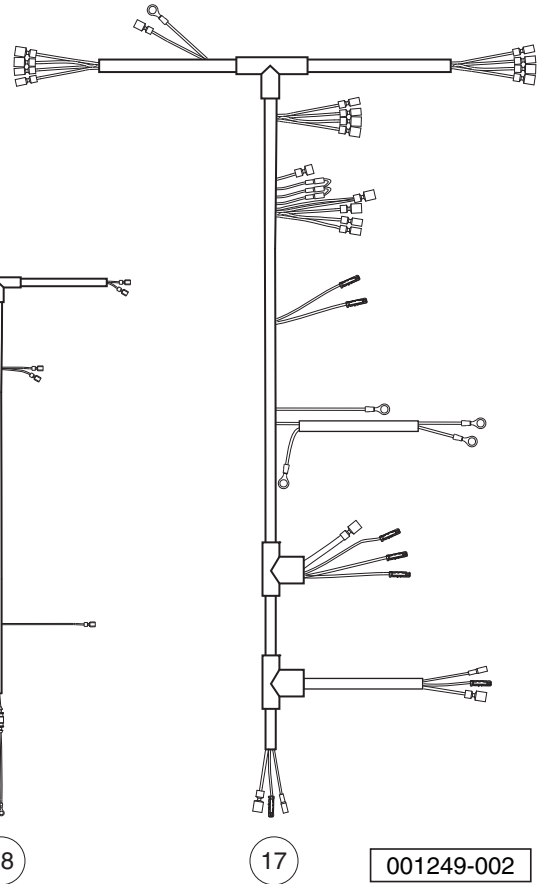
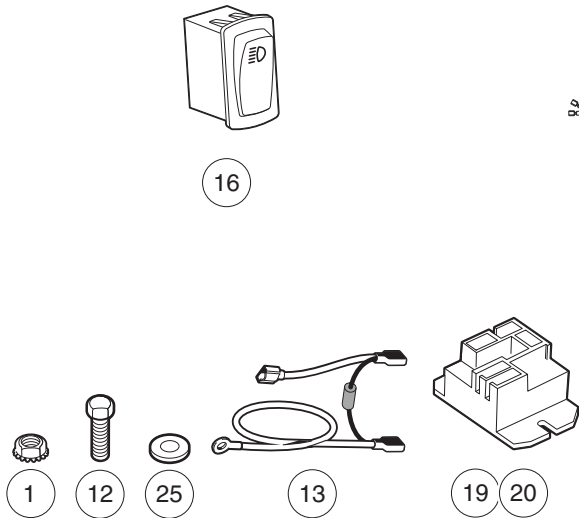
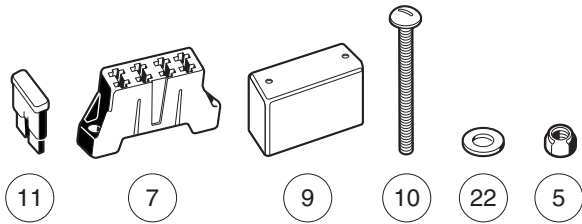
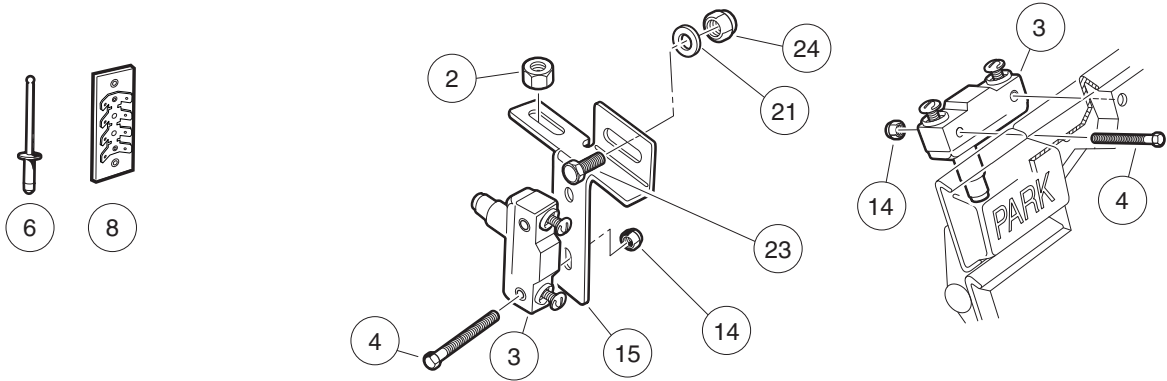
001431-001

LIGHTING SYSTEM COMPONENTS – VILLAGER 6 ELEC. WITH HIGH-FREQ. CHARGER

| ITEM | PART NO. | DESCRIPTION | QTY |
|------|-------------|---|-----|
| | | 1 2 3 4 | |
| 1 | 1011229 | Locknut, #6-32 Whiz | 2 |
| 2 | 1011280 | Locknut, 5/16-18 | 1 |
| 3 | 1011439 | Switch, Limit | 2 |
| 4 | 1011557 | Screw, #6-32 X 1.00 Hex-Head Machine | 4 |
| 5 | 1012438 | Locknut, #10-24 Nylon Insert | 2 |
| 6 | 1013357 | Rivet, 5/32 Aluminum Pop | 2 |
| 7 | 1015741 | Fuse Block | 1 |
| 8 | 1016356 | Terminal Block with Insulator | 1 |
| 9 | 1016363 | Fuse Block Cover | 1 |
| 10 | 1016366 | Screw, #10-24 X 3.0 Pan-Head Machine | 2 |
| 11 | 1016423 | Fuse, 20-Amp | 3 |
| 12 | 1017853 | Screw, #6-32 X 0.75 Hex-Head Machine | 2 |
| 13 | 101914401 | Assembly, Voltage Suppressor | 1 |
| 14 | 101932201 | Locknut, #6-32 Nylon | 4 |
| 15 | 101957101 | Bracket, Brake Light Switch | 1 |
| 16 | 102869401 | Switch, Rocker, Light | 1 |
| 17 | 103255701 | Wire Harness, Headlights-Only, CA, Electric | 1 |
| 18 | 103414901 | Kit, Relay, 48v 30a W/instr (includes item 19) | 1 |
| 19 | 103397901 | Relay, Spst No, 48v 30a, Pmt | 1 |
| 20 | 1241 | Washer, 5/16 Type A Flat | 1 |
| 21 | 183 | Washer, #10, Type A, Flat | 4 |
| 22 | 47564908001 | Harness, Lighting, Vill6, Hfc | 1 |
| 23 | 7173 | Screw, 5/16-18 X 0.75, Hex-Head Cap | 1 |
| 24 | 7473 | Locknut, 5/16-18 Nylon Insert | 1 |
| 25 | 7591 | Washer, #6, Flat | 2 |
| | | Note: Use item 17 for headlights only. NOTE 2: Use item 22 for headlights and taillights. | |

4
G
E

4
G
E



001249-002

LIGHTING SYSTEM COMPONENTS – VILLAGER 8 ELEC. WITH IQ PLUS CHARGER

| ITEM | PART NO. | DESCRIPTION | QTY |
|------|-----------|---|-----|
| | | 1 2 3 4 | |
| 1 | 1011229 | Locknut, #6-32 Whiz | 2 |
| 2 | 1011280 | Locknut, 5/16-18 | 1 |
| 3 | 1011439 | Switch, Limit | 2 |
| 4 | 1011557 | Screw, #6-32 X 1.00 Hex-Head Machine | 4 |
| 5 | 1012438 | Locknut, #10-24 Nylon Insert | 2 |
| 6 | 1013357 | Rivet, 5/32 Aluminum Pop | 2 |
| 7 | 1015741 | Fuse Block | 1 |
| 8 | 1016356 | Terminal Block with Insulator | 1 |
| 9 | 1016363 | Fuse Block Cover | 1 |
| 10 | 1016366 | Screw, #10-24 X 3.0 Pan-Head Machine | 2 |
| 11 | 1016423 | Fuse, 20-Amp | 3 |
| 12 | 1017853 | Screw, #6-32 X 0.75 Hex-Head Machine | 2 |
| 13 | 101914401 | Assembly, Voltage Suppressor | 1 |
| 14 | 101932201 | Locknut, #6-32 Nylon | 4 |
| 15 | 101957101 | Bracket, Brake Light Switch | 1 |
| 16 | 102869401 | Switch, Rocker, Light | 1 |
| 17 | 103254401 | Wire Harness, Lght Pkg, V8, El | 1 |
| 18 | 103255701 | Wire Harness, Headlights-Only, CA, Electric | 1 |
| 19 | 103414901 | Kit, Relay, 48v 30a W/instr (includes item 20) | 1 |
| 20 | 103397901 | Relay, Spst No, 48v 30a, Pmt | 1 |
| 21 | 1241 | Washer, 5/16 Type A Flat | 1 |
| 22 | 183 | Washer, #10, Type A, Flat | 4 |
| 23 | 7173 | Screw, 5/16-18 X 0.75, Hex-Head Cap | 1 |
| 24 | 7473 | Locknut, 5/16-18 Nylon Insert | 1 |
| 25 | 7591 | Washer, #6, Flat | 2 |
| | | Note: Use item 18 for headlights only. NOTE 2: Use item 17 for headlights and taillights. | |

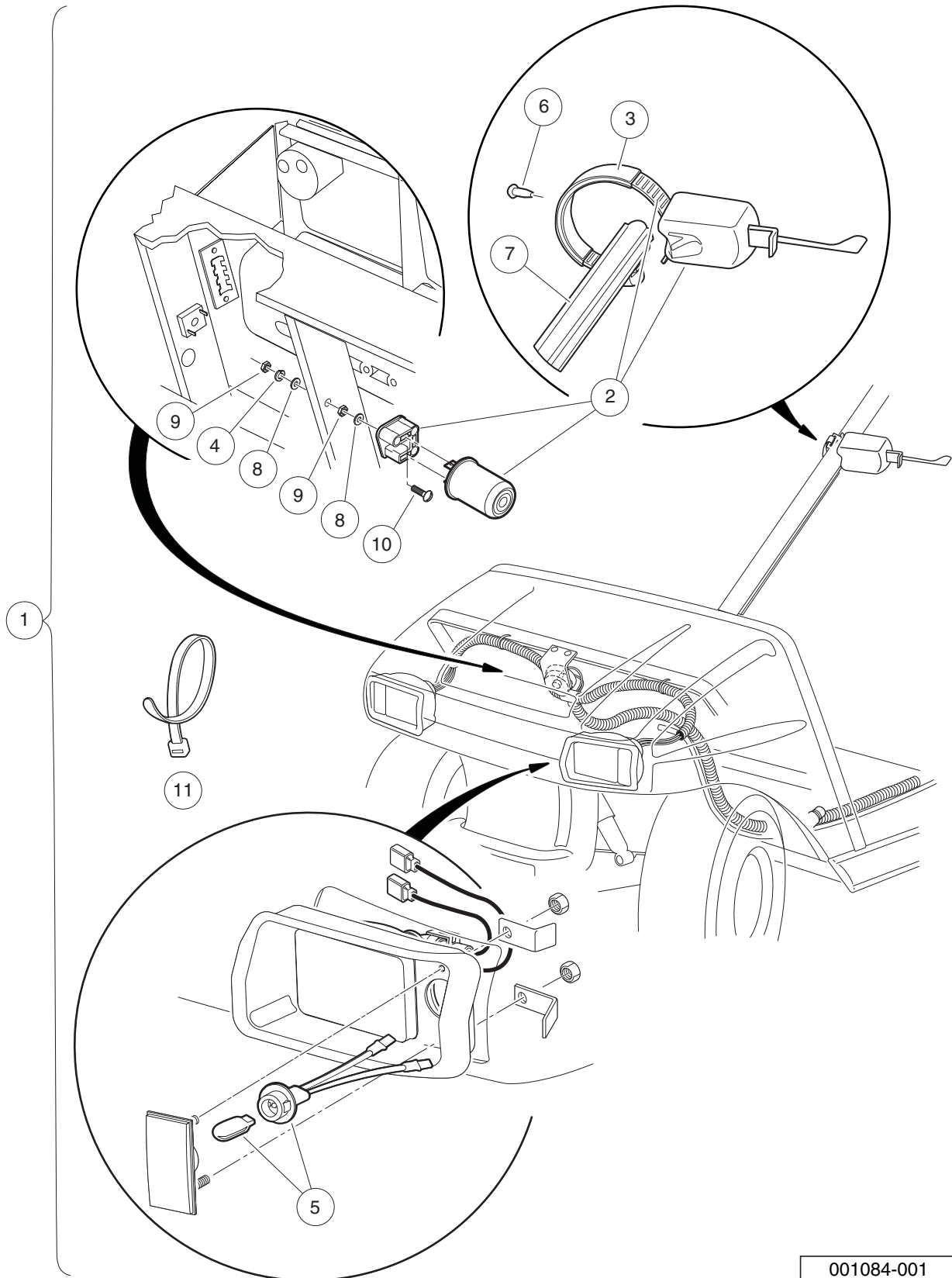
4
G
E

LIGHTING SYSTEM COMPONENTS – VILLAGER 8 ELEC. WITH HIGH-FREQ. CHARGER

| ITEM | PART NO. | DESCRIPTION | QTY |
|------|-------------|---|-----|
| | | 1 2 3 4 | |
| 1 | 1011229 | Locknut, #6-32 Whiz | 2 |
| 2 | 1011280 | Locknut, 5/16-18 | 1 |
| 3 | 1011439 | Switch, Limit | 2 |
| 4 | 1011557 | Screw, #6-32 X 1.00 Hex-Head Machine | 4 |
| 5 | 1012438 | Locknut, #10-24 Nylon Insert | 2 |
| 6 | 1013357 | Rivet, 5/32 Aluminum Pop | 2 |
| 7 | 1015741 | Fuse Block | 1 |
| 8 | 1016356 | Terminal Block with Insulator | 1 |
| 9 | 1016363 | Fuse Block Cover | 1 |
| 10 | 1016366 | Screw, #10-24 X 3.0 Pan-Head Machine | 2 |
| 11 | 1016423 | Fuse, 20-Amp | 3 |
| 12 | 1017853 | Screw, #6-32 X 0.75 Hex-Head Machine | 2 |
| 13 | 101914401 | Assembly, Voltage Suppressor | 1 |
| 14 | 101932201 | Locknut, #6-32 Nylon | 4 |
| 15 | 101957101 | Bracket, Brake Light Switch | 1 |
| 16 | 102869401 | Switch, Rocker, Light | 1 |
| 17 | 103255701 | Wire Harness, Headlights-Only, CA, Electric | 1 |
| 18 | 103414901 | Kit, Relay, 48v 30a W/instr (includes item 19) | 1 |
| 19 | 103397901 | Relay, Spst No, 48v 30a, Pmt | 1 |
| 20 | 1241 | Washer, 5/16 Type A Flat | 1 |
| 21 | 183 | Washer, #10, Type A, Flat | 4 |
| 22 | 47564902001 | Harness, Lighting, Vill8, Hfc | 1 |
| 23 | 7173 | Screw, 5/16-18 X 0.75, Hex-Head Cap | 1 |
| 24 | 7473 | Locknut, 5/16-18 Nylon Insert | 1 |
| 25 | 7591 | Washer, #6, Flat | 2 |
| | | Note: Use item 17 for headlights only. NOTE 2: Use item 22 for headlights and taillights. | |

4
G
E

4
G
E



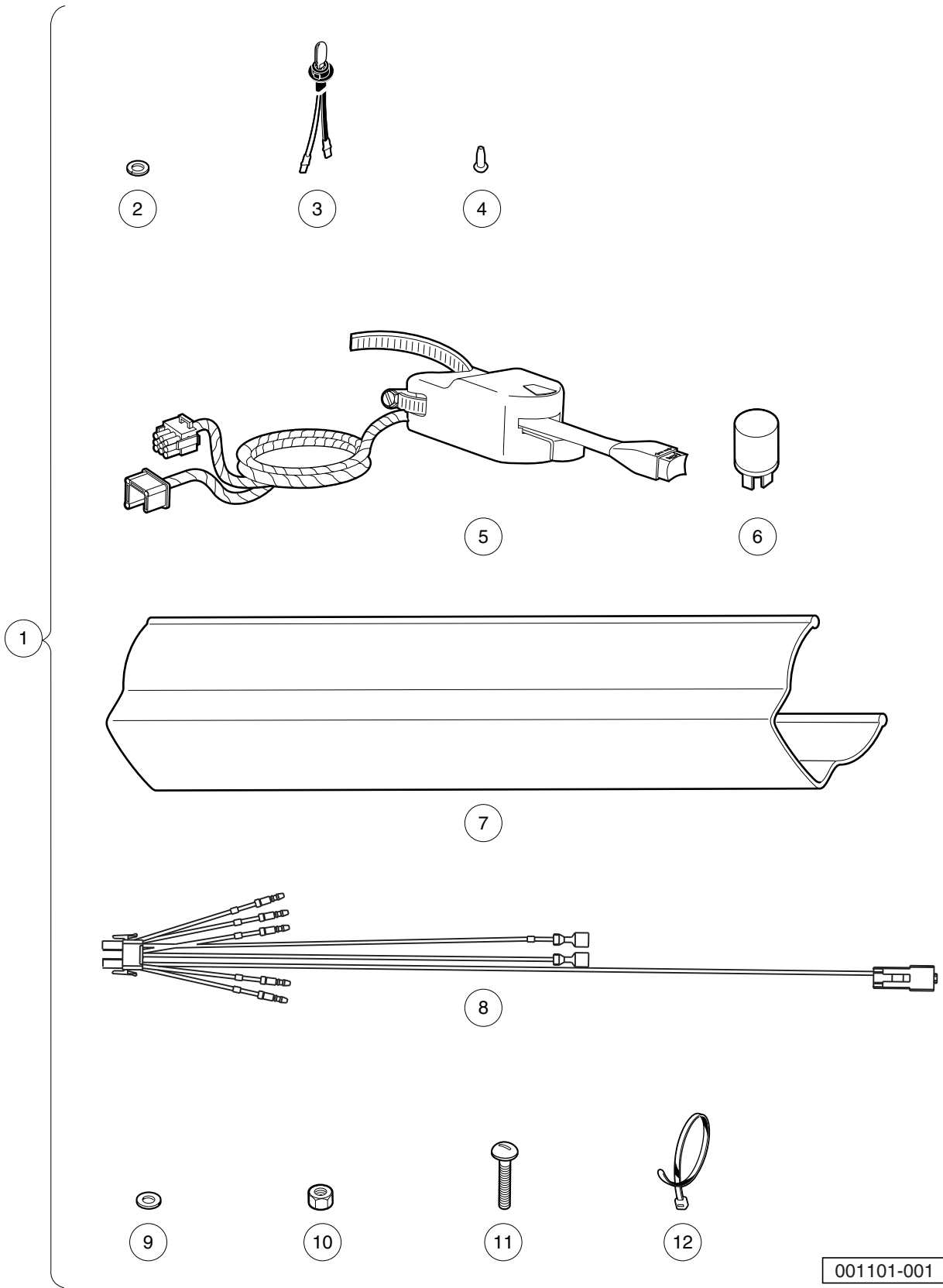
001084-001

TURN SIGNAL KIT – DS AND UTILITY GASOLINE AND ELECTRIC VEHICLES

| ITEM | PART NO. | DESCRIPTION | QTY |
|------|-----------|--|-----|
| | | 1 2 3 4 | |
| 1 | 101707402 | Turn Signal Conversion Kit (includes items 2 through 11) | 1 |
| 2 | 1011590 | Switch Sub-assy, Turn Signal | 1 |
| 3 | N/A | Strap, Extrusion | 1 |
| 4 | 1016 | Lockwasher, #10 Split | 1 |
| 5 | 1017075 | Socket & Lamp Assembly | 2 |
| 6 | 1017724 | Rivet, Plastic | 1 |
| 7 | 102529201 | Wire Cover, Steering Column | 1 |
| 8 | 183 | Washer, #10, Type A, Flat | 2 |
| 9 | 7893 | Nut, #10-32 Hex | 2 |
| 10 | 8104 | Screw, #10-32 X .75 Rd Hd Mach | 1 |
| 11 | 8990 | Tie Wrap, 8" Nylon | 1 |

4
G
E

4
G
E

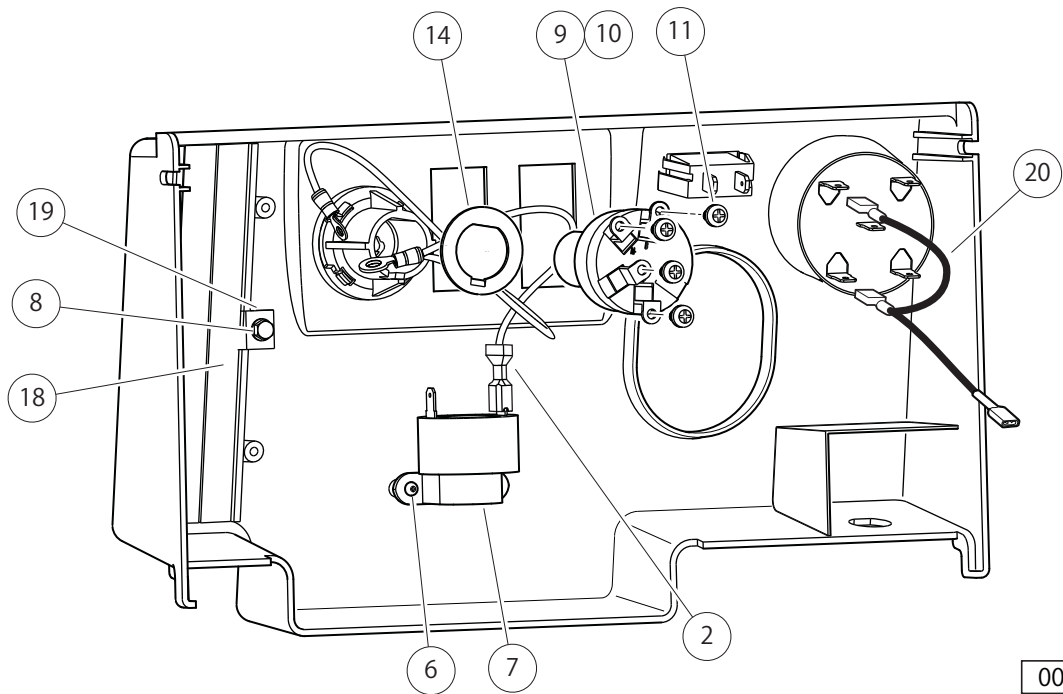
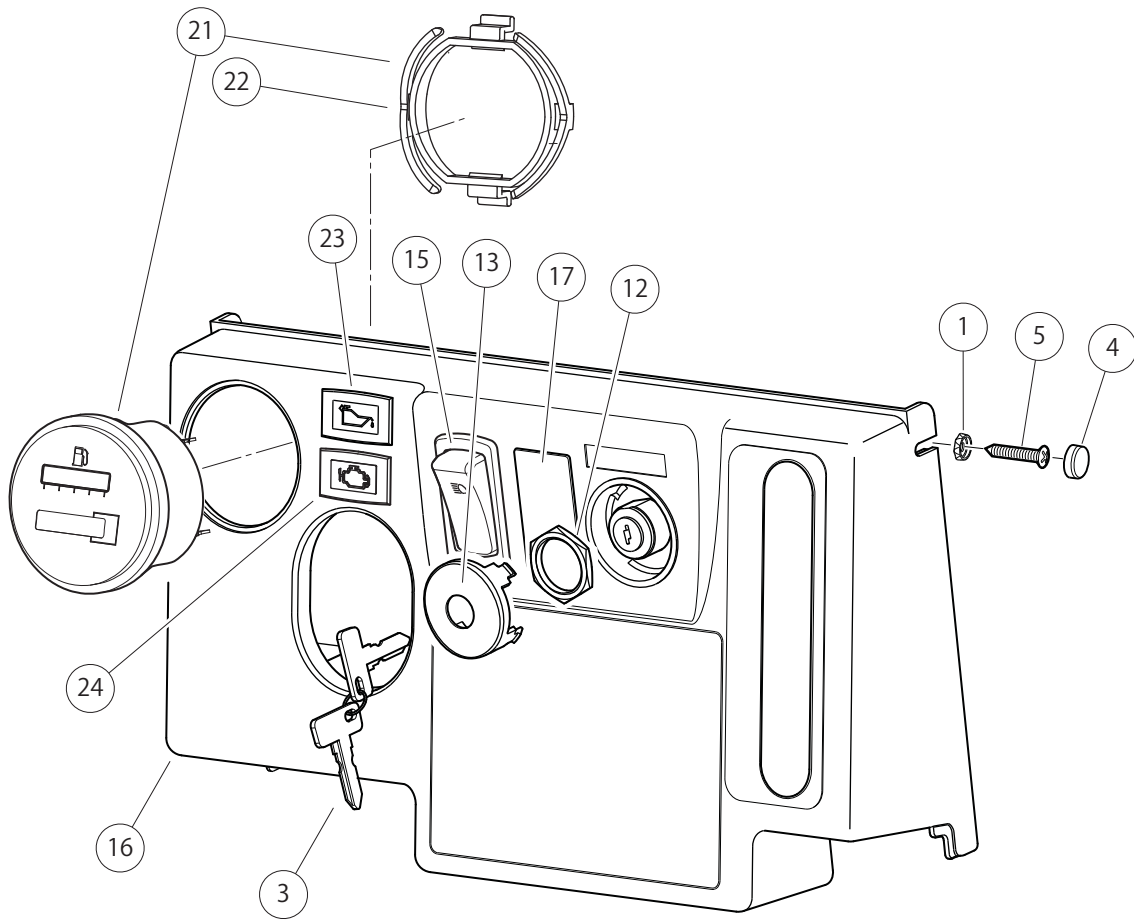


TURN SIGNAL (WITH HORN BUTTON) KIT – DS AND UTILITY GAS AND ELECTRIC VEHICLES

| ITEM | PART NO. | DESCRIPTION | QTY |
|------|-----------|---|-----|
| | | 1 2 3 4 | |
| 1 | 101707405 | Kit, Turn Signal-horn (includes items 2 through 12) | 1 |
| 2 | 1016 | Lockwasher, #10 Split | 1 |
| 3 | 1017075 | Socket & Lamp Assembly | 2 |
| 4 | 1017724 | Rivet, Plastic | 1 |
| 5 | 102517501 | Turn Signal Asm (includes item 6) | 1 |
| 6 | 102546401 | Flasher Unit, Prec | 1 |
| 7 | 102529201 | Wire Cover, Steering Column | 1 |
| 8 | 103618001 | Harness, Jumper, Turn Signal | 1 |
| 9 | 183 | Washer, #10, Type A, Flat | 2 |
| 10 | 7893 | Nut, #10-32 Hex | 2 |
| 11 | 8104 | Screw, #10-32 X .75 Rd Hd Mach | 1 |
| 12 | 8990 | Tie Wrap, 8" Nylon | 1 |

4
G
E

4
G
E



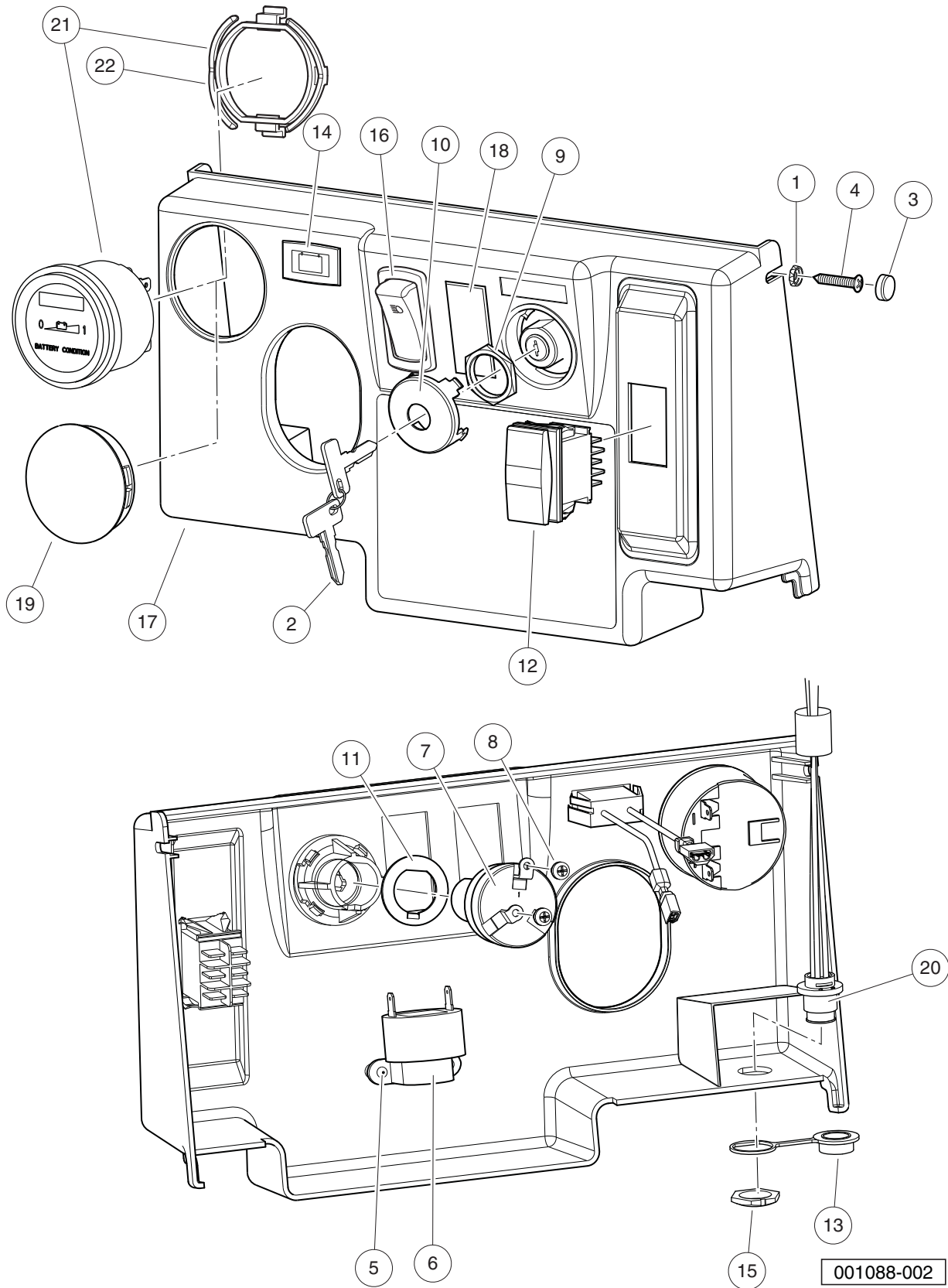
001086-003

INSTRUMENT PANEL AND ELECTRICAL COMPONENTS – KEY AND PEDAL START – GAS

| ITEM | PART NO. | DESCRIPTION | QTY |
|------|-------------|---|-----|
| | | 1 2 3 4 | |
| 1 | 1011382 | Washer, #10 Pan-Head Screw | 2 |
| 2 | 1012396 | Wire Assy #18 Black | 1 |
| 3 | 1012505 | Keys (set of 2) | 1 |
| 4 | 1013494 | Cover, Screw Head | 2 |
| 5 | 1015528 | Screw, #10 x 1-1/4 Phillips Head | 2 |
| 6 | 1016849 | Screw, #4-24 X 0.33, Pan-Head, Machine | 2 |
| 7 | 1016851 | Multi-Purpose Buzzer (9-48 VDC) | 1 |
| 8 | 101804301 | Screw, #8 X 0.500, Hex-Head Hi-Lo | 2 |
| 9 | 101826301 | Key Switch, 12-Volt, Off/On | 1 |
| 10 | 101826401 | Key Switch, 12-Volt, Off/On/Start | 1 |
| 11 | 101830601 | Screw and Washer Assembly | 5 |
| 12 | 101830701 | Nut, Key Switch | 1 |
| 13 | 101834502 | Cap, Black Key Switch | 1 |
| 14 | 101851101 | Washer, Key Switch | 1 |
| 15 | 102869401 | Switch, Rocker, Light | 1 |
| 16 | 102977003 | Panel, Dash, Center, Gas | 1 |
| 17 | 103180101 | Cover, Hole, Switch, Rocker | 1 |
| 18 | 103199001 | Brush, Closeout, FNR | 2 |
| 19 | 103199101 | Washer, Retaining, Brush, FNR | 2 |
| 20 | 103348501 | Asm, Wire Meter, F-h Jumper | 1 |
| 21 | 103348601 | Gauge, Fuel-hour, sep Gnd, utl (includes item 22) | 1 |
| 22 | 103348201 | Clip, Meter, Round | 1 |
| 23 | 105037101 | Light, Oil (LED) | 1 |
| 24 | 47598441001 | Light, Dash, Led, Mil | 1 |

4
G
E

4
G
E



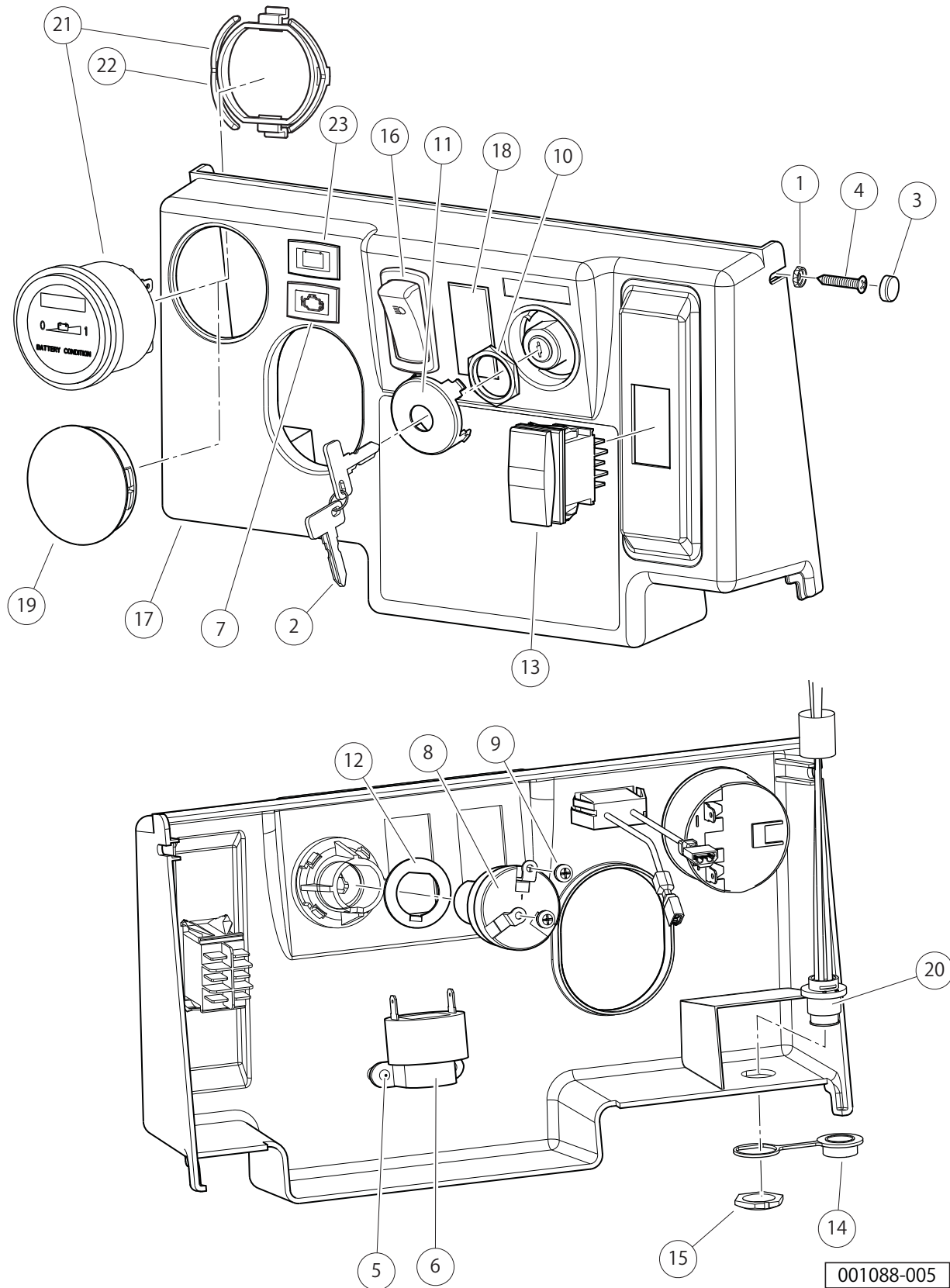
001088-002

INSTRUMENT PANEL – CA6/VILL 6 & 8/TPORTER/XRT850 ELEC. WITH LESTER CHARGER

| ITEM | PART NO. | DESCRIPTION | QTY |
|------|-----------|---|-----|
| | | 1 2 3 4 | |
| 1 | 1011382 | Washer, #10 Pan-Head Screw | 2 |
| 2 | 1012505 | Keys (set of 2) | 1 |
| 3 | 1013494 | Cover, Screw Head | 2 |
| 4 | 1015528 | Screw, #10 x 1-1/4 Phillips Head | 2 |
| 5 | 1016849 | Screw, #4-24 X 0.33, Pan-Head, Machine | 2 |
| 6 | 1016851 | Multi-Purpose Buzzer (9-48 VDC) | 1 |
| 7 | 101826201 | Key Switch, On/Off | 1 |
| 8 | 101830601 | Screw and Washer Assembly | 2 |
| 9 | 101830701 | Nut, Key Switch | 1 |
| 10 | 101834502 | Cap, Black Key Switch | 1 |
| 11 | 101851101 | Washer, Key Switch | 1 |
| 12 | 101856002 | Switch, Rocker, Single-Pole | 1 |
| 13 | 102196901 | Dust Cap | 1 |
| 14 | 102508701 | Light, Battery | 1 |
| 15 | 102572401 | Nut, Diagnostic Port | 1 |
| 16 | 102869401 | Switch, Rocker, Light | 1 |
| 17 | 102977002 | Panel, Dash, Center, Elec (Instrument Panel) | 1 |
| 18 | 103180101 | Cover, Hole, Switch, Rocker | 1 |
| 19 | 103198301 | Plug, Hole, Round, 2.0 In | 1 |
| 20 | 103218601 | Harness, Diagnostic Port | 1 |
| 21 | 103354401 | Gauge, Battery Cond Ind, Rnd (includes item 22) | 1 |
| 22 | 103348202 | Clip, Bci, Round | 1 |

4
G
E

4
G
E

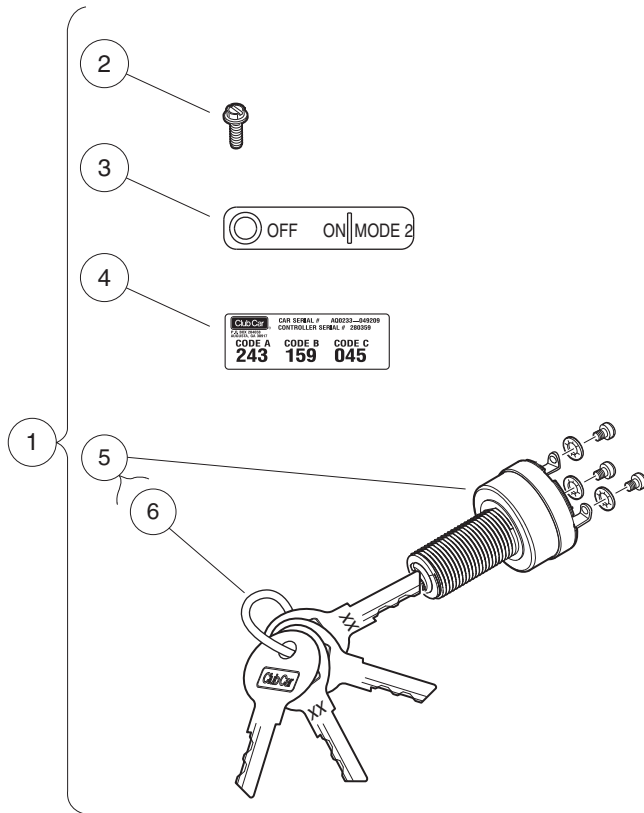


INSTRUMENT PANEL WITH ELECTRICAL COMPONENTS – PEDAL START – ELECTRIC WITH HFC

| ITEM | PART NO. | DESCRIPTION | QTY |
|------|-----------|---|-----|
| | | 1 2 3 4 | |
| 1 | 1011382 | Washer, #10 Pan-Head Screw | 2 |
| 2 | 1012505 | Keys (set of 2) | 1 |
| 3 | 1013494 | Cover, Screw Head | 2 |
| 4 | 1015528 | Screw, #10 x 1-1/4 Phillips Head | 2 |
| 5 | 1016849 | Screw, #4-24 X 0.33, Pan-Head, Machine | 2 |
| 6 | 1016851 | Multi-Purpose Buzzer (9-48 VDC) | 1 |
| 7 | 101802601 | Plug, Hole | 1 |
| 8 | 101826301 | Key Switch, 12-Volt, Off/On | 1 |
| 9 | 101830601 | Screw and Washer Assembly | 2 |
| 10 | 101830701 | Nut, Key Switch | 1 |
| 11 | 101834502 | Cap, Black Key Switch | 1 |
| 12 | 101851101 | Washer, Key Switch | 1 |
| 13 | 101856002 | Switch, Rocker, Single-Pole | 1 |
| 14 | 102196901 | Dust Cap | 1 |
| 15 | 102572401 | Nut, Diagnostic Port | 1 |
| 16 | 102869401 | Switch, Rocker, Light | 1 |
| 17 | 102977004 | Panel, Dash, Center, Elec | 1 |
| 18 | 103180101 | Cover, Hole, Switch, Rocker | 1 |
| 19 | 103198301 | Plug, Hole, Round, 2.0 In | 1 |
| 20 | 103218601 | Harness, Diagnostic Port | 1 |
| 21 | 103354401 | Gauge, Battery Cond Ind, Rnd (includes item 22) | 1 |
| 22 | 103348202 | Clip, Bci, Round | 1 |
| 23 | 105152301 | Indicator, Charger, Dash, Cap | 1 |

4
G
E

4
G
E



001212-001

KEYS AND KEYSWITCHES, SMARTKEY KIT – ELECTRIC VEHICLE

| ITEM | PART NO. | DESCRIPTION | QTY |
|------|-----------|---|-----|
| | | 1 2 3 4 | |
| 1 | 102962602 | Kit, Field, Smartkey (includes items 2 through 5) | 1 |
| 2 | 1011017 | Screw, #8-32 X 0.375 | 1 |
| 3 | 101825103 | Decal, Keyswitch, Iq Plus Mode | 1 |
| 4 | N/A | Decal, Passcode | 1 |
| 5 | 102950301 | Key Switch, Mode B, Iq Plus (includes item 6) | 1 |
| 6 | 102962303 | Keys, Set Of 4, Iq Plus Mode | 1 |
| | | Note: Not available in the EU. | |

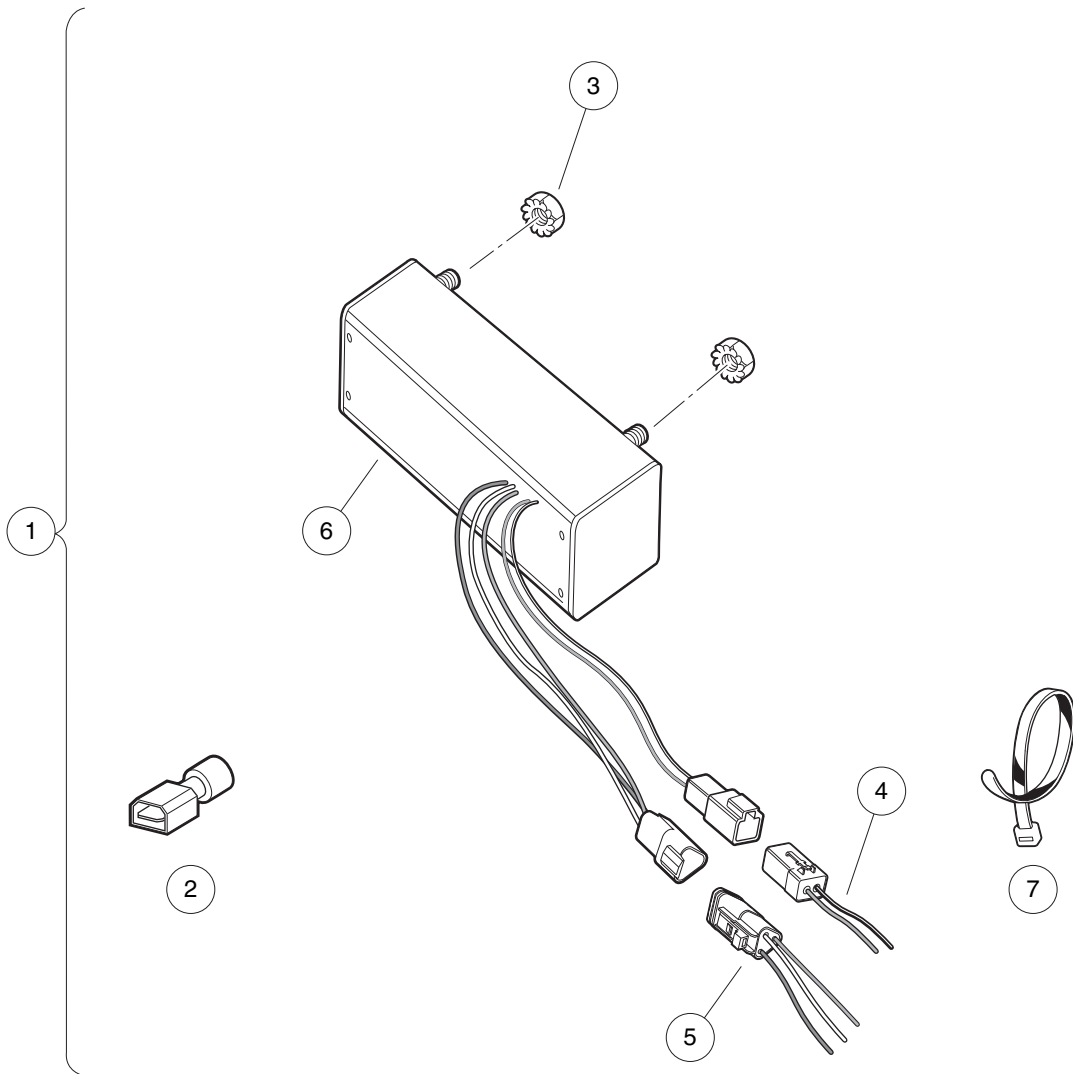
4
G
E

KEYS AND KEYSWITCHES, UNCOMMON – GAS VEHICLE

| ITEM | PART NO. | DESCRIPTION | QTY |
|------|-----------|---|-----|
| | | 1 2 3 4 | |
| 1 | 101830701 | Nut, Key Switch | 1 |
| 2 | 101834502 | Cap, Black Key Switch | 1 |
| 3 | 101839701 | Keyswitch, Uncom. A407 On/off | 1 |
| 4 | 101839702 | Keyswitch, Uncom. B407 On/off | 1 |
| 5 | 101839703 | Keyswitch, Uncom. C407 On/off | 1 |
| 6 | 101839704 | Keyswitch, Uncom. D407 On/off | 1 |
| 7 | 101839709 | Keyswitch, Uncom. E407 On/off | 1 |
| 8 | 101839710 | Keyswitch, Uncom. F407 On/off | 1 |
| 9 | 101839801 | Keyswtch Uncom A408 On/off/st | 1 |
| 10 | 101839802 | Keyswtch Uncom B408 On/off/st | 1 |
| 11 | 101839803 | Keyswtch Uncom C408 On/off/st | 1 |
| 12 | 101839804 | Keyswtch Uncom D408 On/off/st | 1 |
| 13 | 101839809 | Keyswtch Uncom E408 On/off/st | 1 |
| 14 | 101839810 | Keyswtch Uncom F408 On/off/st | 1 |
| 15 | 101851101 | Washer, Key Switch | 1 |
| 16 | 101974701 | Key, Uncommon 1a | 1 |
| 17 | 101974702 | Key, Uncommon 1b | 1 |
| 18 | 101974703 | Key, Uncommon 1c | 1 |
| 19 | 101974704 | Key, Uncommon 1d | 1 |
| 20 | 101974709 | Key, Uncommon 1e | 1 |
| 21 | 101974710 | Key, Uncommon 1f | 1 |
| | | <p>Note: Keyswitches 101839801 through 101839804, 101839809, and 101839810 are for key-start, gasoline vehicles ONLY.</p> | |

4
G
E

4
G
E



001090-002

DC CONVERTER (ISOLATED) – ELECTRIC VEHICLE

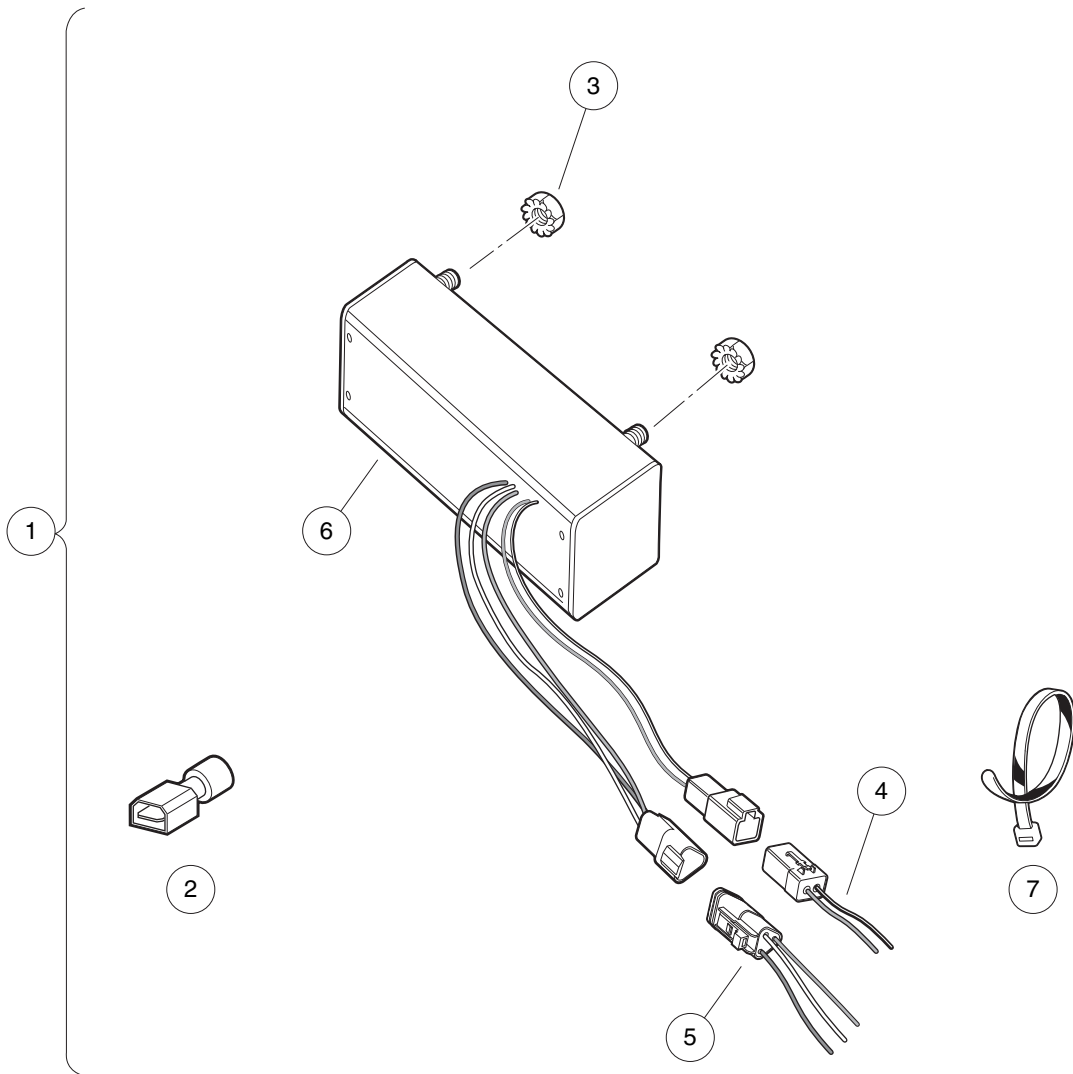
| ITEM | PART NO. | DESCRIPTION | QTY |
|------|-----------|--|-----|
| | | 1 2 3 4 | |
| 1 | 102918701 | Kit, DC/DC Converter, IQ Plus (includes items 2 through 7) | 1 |
| 2 | 1016365 | Terminal, 1/4" Male Quick Disconnect | 1 |
| 3 | 101835601 | Locknut, 1/4-20 Hex Whiz | 2 |
| 4 | 102354901 | Harness, Dc Converter - 12v | 1 |
| 5 | 102890201 | Harness, Dc Converter, 48v | 1 |
| 6 | 103700301 | Converter, Dc/dc, Isoldt | 1 |
| 7 | 8990 | Tie Wrap, 8" Nylon | 10 |

4

G

E

4
G
E



001090-002

DC CONVERTER (ISOLATED) – CE ELECTRIC VEHICLE

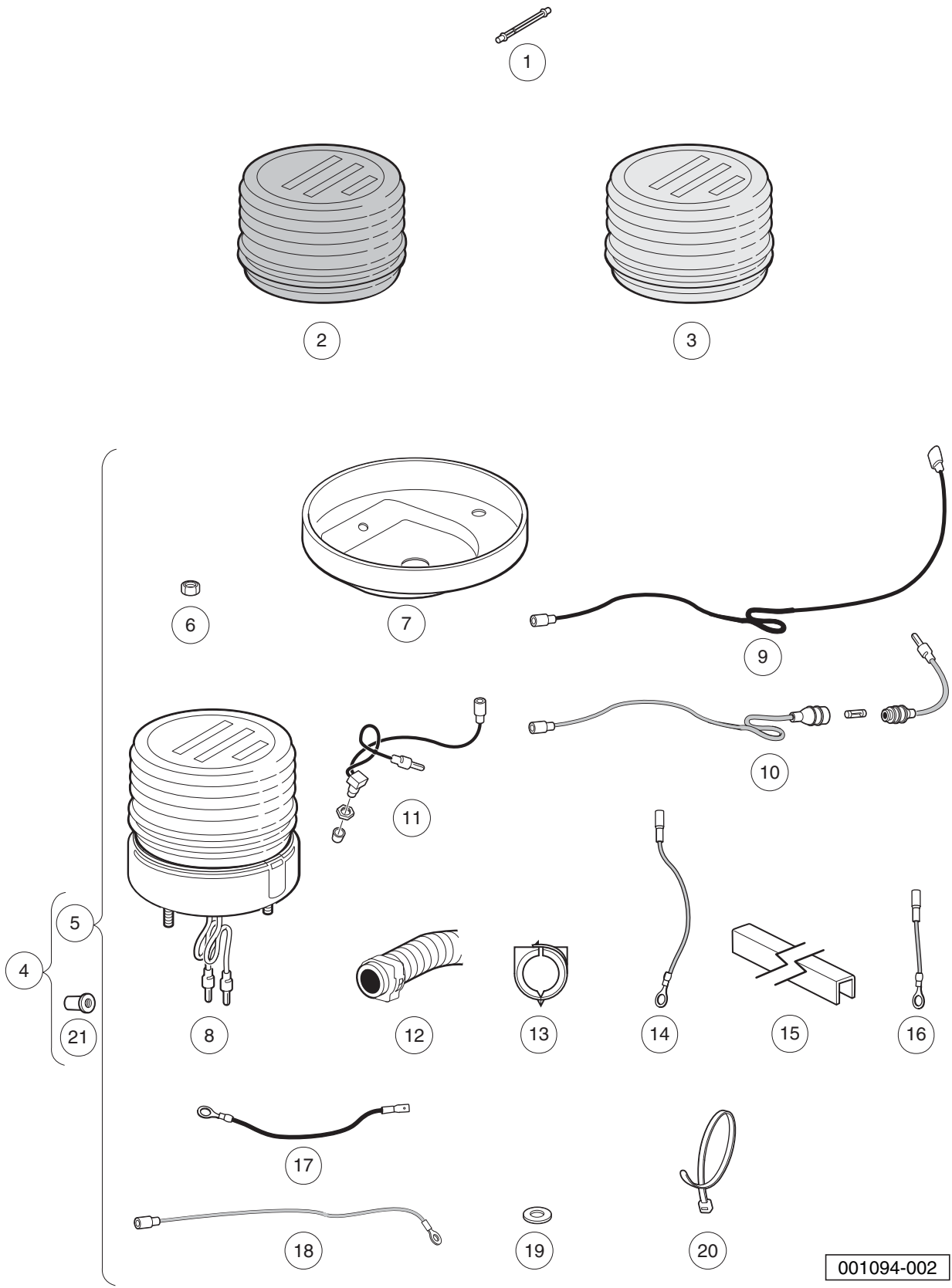
| ITEM | PART NO. | DESCRIPTION | QTY |
|------|-----------|---|-----|
| | | 1 2 3 4 | |
| 1 | 102918702 | Kit, Dc Conv. Iq Plus Ce (includes items 2 through 7) | 1 |
| 2 | 1016365 | Terminal, 1/4" Male Quick Disconnect | 1 |
| 3 | 101835601 | Locknut, 1/4-20 Hex Whiz | 2 |
| 4 | 102354901 | Harness, Dc Converter - 12v | 1 |
| 5 | 102890201 | Harness, Dc Converter, 48v | 1 |
| 6 | 103802401 | Converter, Dc/dc, Ce | 1 |
| 7 | 8990 | Tie Wrap, 8" Nylon | 10 |

4

G

E

4
G
E



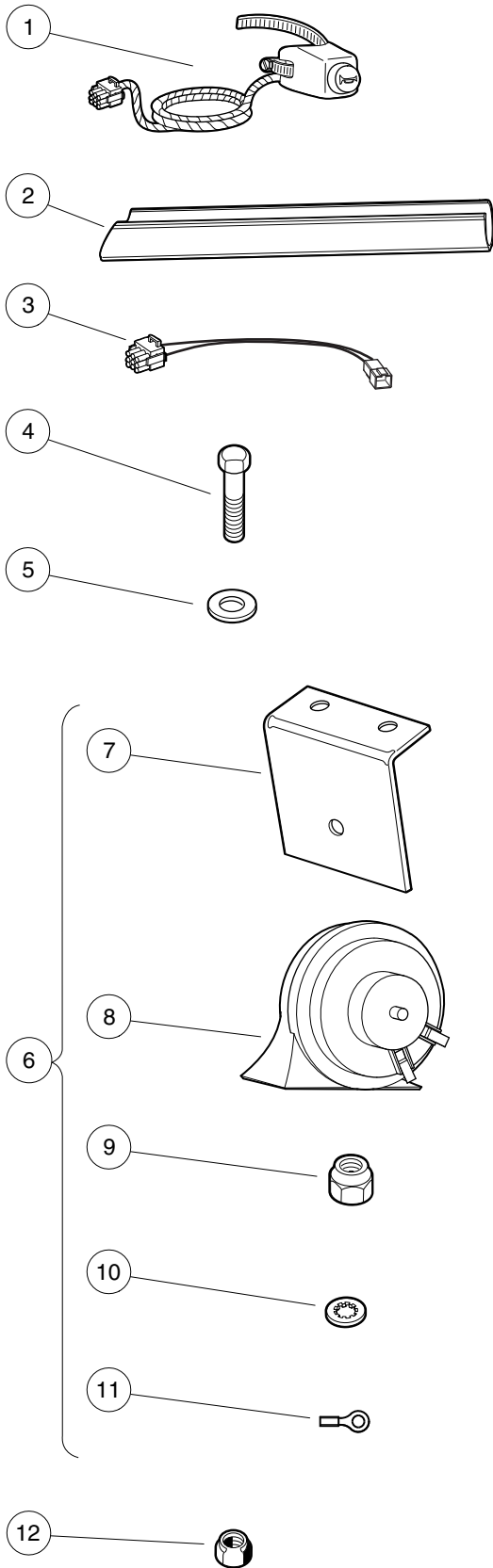
001094-002

STROBE LIGHT, ROOF-MOUNTED

| ITEM | PART NO. | DESCRIPTION | QTY |
|------|-----------|---|-----|
| | | 1 2 3 4 | |
| 1 | 1015526 | Bulb, Replacement, for Strobe Light | 1 |
| 2 | AM1243701 | Lens, Blue, for Strobe Light | A/R |
| 3 | AM1243801 | Lens, Red, for Strobe Light | A/R |
| 4 | SVP119201 | Light, Roof-Mounted Strobe, Field (includes items 5 through 21) | A/R |
| 5 | AM1243501 | Kit, Roof Mounted Strobe Fd (includes items 6 through 20) | 1 |
| 6 | 1012438 | Locknut, #10-24 Nylon Insert | 2 |
| 7 | 1015010 | Cover Plate Switch | 1 |
| 8 | 1015156 | Light Assembly, Strobe | 1 |
| 9 | 1015167 | #16 Black Wire Asm | 1 |
| 10 | 1015170 | Wire Assembly #16 | 1 |
| 11 | 1015187 | Switch Assembly | 1 |
| 12 | 1015768 | Split Convolute Elec Conduit | 11 |
| 13 | 1015770 | Outlet Ring - .5 Diameter | 5 |
| 14 | 1016230 | Wire Asm #16 Red | 1 |
| 15 | 1016267 | Snap On Conduit Vert. | 1 |
| 16 | 1016287 | Wire Asm #16 Red | 1 |
| 17 | 1016929 | Wire Assembly Black #16 | 1 |
| 18 | 101821601 | #18 Red Wire Assembly | 1 |
| 19 | 183 | Washer, #10, Type A, Flat | 2 |
| 20 | 8639 | Tie Wrap, 11" Nylon | 8 |
| 21 | SVP493201 | Well Nut, 10-32 | 3 |

4
G
E

4
G
E



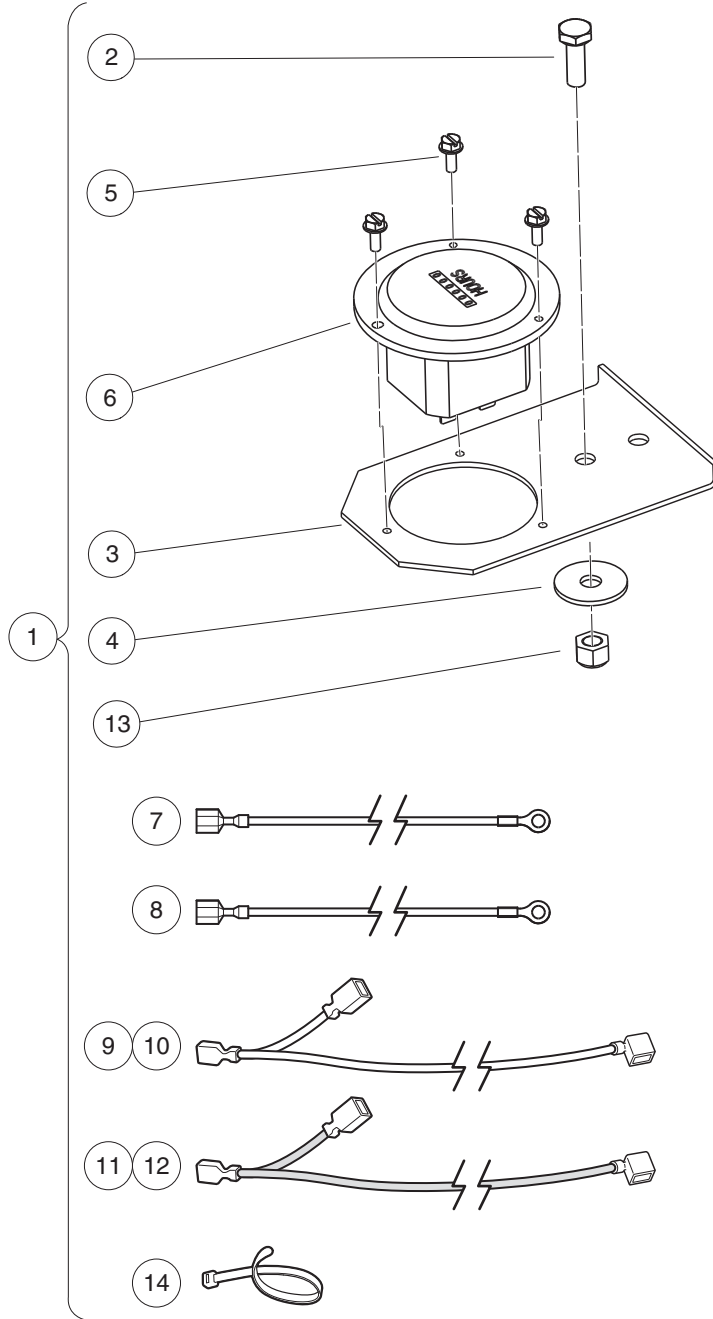
001095-002

HORN WITH COLUMN-MOUNTED BUTTON

| ITEM | PART NO. | DESCRIPTION | QTY |
|------|-----------|--|-----|
| | | 1 2 3 4 | |
| 1 | 102517601 | Subasm, Horn Button Harness | 1 |
| 2 | 102529203 | Wire Cover-steer Column 304 Mm | 1 |
| 3 | 103618101 | Harness, Jumper, Horn | 1 |
| 4 | 304 | Screw, 1/4-20 X 1.0 Hex-Head Cap | 2 |
| 5 | 332 | Washer, 1/4 Type A Narrow Flat | 2 |
| 6 | 4029 | Horn (includes items 7 through 11) | 1 |
| 7 | 1011825 | Horn Bracket | 1 |
| 8 | 1014530 | Horn, 12-VDC | 1 |
| 9 | 101955101 | Nut, M6 Hex | 1 |
| 10 | 7820 | Washer, 5/16 Internal-Tooth | 1 |
| 11 | 8294 | 5/16 Ring Term. | 1 |
| 12 | 8233 | Locknut, 1/4-20, Nylon Insert | 2 |

4
G
E

4
G
E

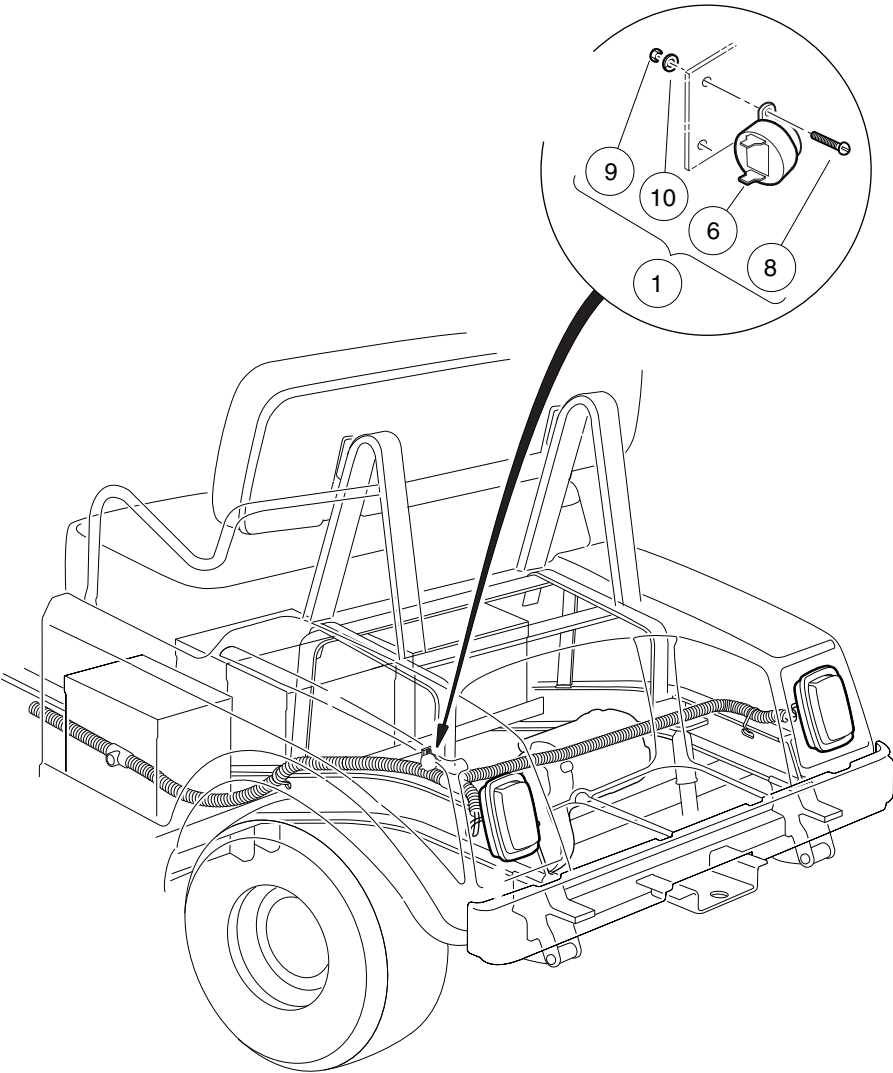


001096-001

HOUR METER – IQ SYSTEM AND IQ PLUS ELECTRIC VEHICLES

| ITEM | PART NO. | DESCRIPTION | QTY |
|------|-----------|---|-----|
| | | 1 2 3 4 | |
| 1 | 1013579 | Kit, Hour Meter (includes items 2 through 14) | 1 |
| 2 | 1012285 | Screw, 1/4 X 0.625 Hex-Head | 1 |
| 3 | 1013547 | Hour Meter Bracket | 1 |
| 4 | 1014306 | Washer, 1/4" Type B Flat | 1 |
| 5 | 1014540 | Screw, #6-32 X 3/8 Taptite | 3 |
| 6 | N/A | Hour Meter | 1 |
| 7 | 101881501 | Wire Assembly Black #18 | 1 |
| 8 | 101881601 | Wire Assembly Red #18 | 1 |
| 9 | 101997802 | Wire Assembly #18 Yellow | 1 |
| 10 | 101997803 | Wire Asm #18 Yellow 31" | 1 |
| 11 | 101997902 | Wire Assembly #18 Red | 1 |
| 12 | 101997903 | Wire Asm # 18 Red 31" | 1 |
| 13 | 8233 | Locknut, 1/4-20, Nylon Insert | 1 |
| 14 | 8990 | Tie Wrap, 8" Nylon | 1 |
| | | <p>Note: The kit includes components that apply to multiple vehicles. The installation instructions will specify which components are required for a specific model. After installation, discard components not used.</p> | |

4
G
E



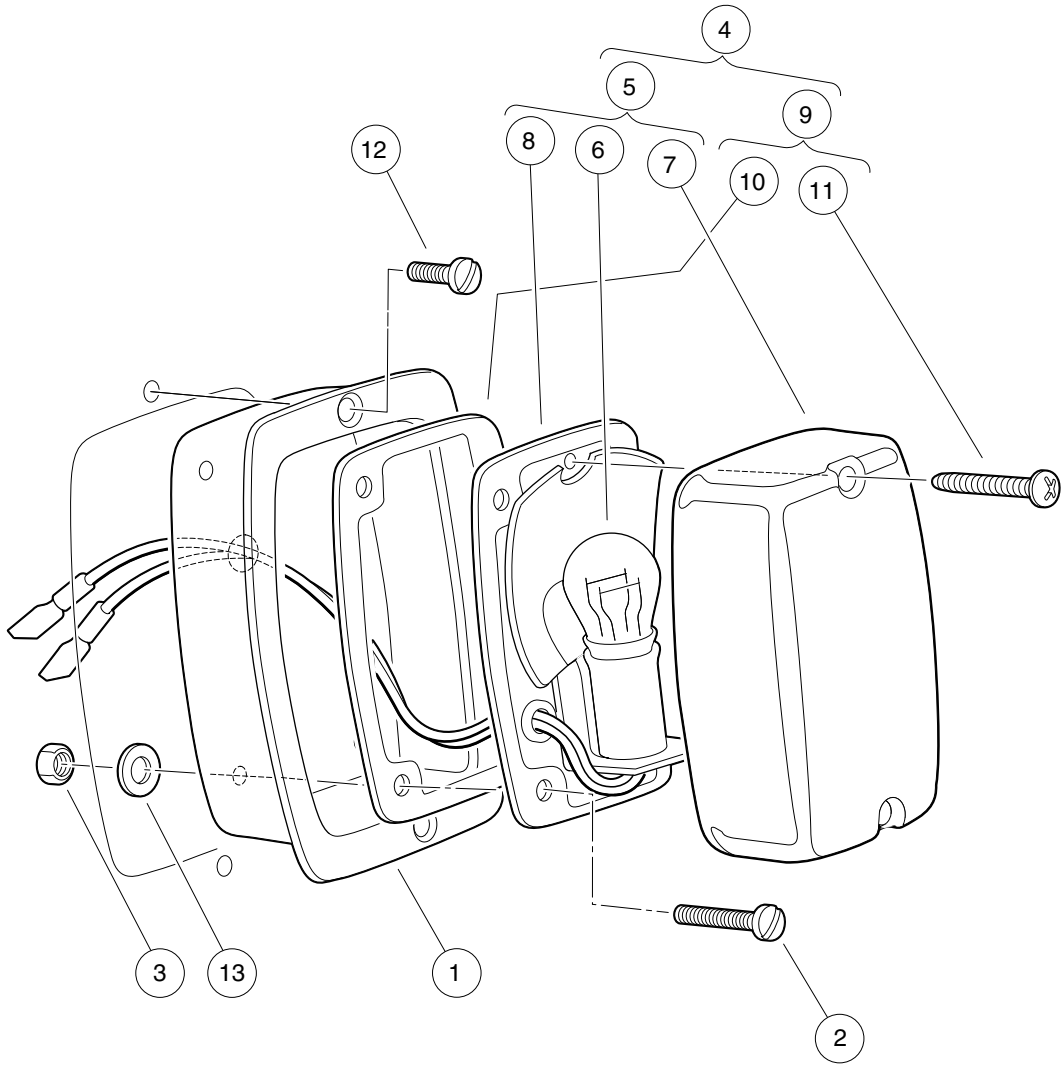
000433-001

REAR REVERSE BUZZER

| ITEM | PART NO. | DESCRIPTION | QTY |
|--|----------|---|-----|
| | | 1 2 3 4 | |
| 1 | 1016859 | Kit, Reverse Buzzer (includes items 2 through 10) | 1 |
| 2 | 1011229 | Locknut, #6-32 Whiz | 1 |
| 3 | 1012431 | Washer, #4 Flat | 2 |
| 4 | 1015720 | Screw, #6-32 X 1/2 Hex Washer-Head | 1 |
| 5 | 1016849 | Screw, #4-24 X 0.33, Pan-Head, Machine | 2 |
| 6 | 1016851 | Multi-Purpose Buzzer (9-48 VDC) | 1 |
| 7 | 1016857 | Wire Assembly Black #18 | 1 |
| 8 | 8056 | Screw, #4-40 X 0.75 Round-Head Machine | 2 |
| 9 | 8057 | Nut, #4-40 Hex Machine | 2 |
| 10 | 8058 | Lockwasher, #4 Split | 2 |
| <p style="margin-left: 40px;">Note: Note: Items 2 through 5 and 7 are included in the kit, but are not used in this application.</p> | | | |

4
G
E

4
G
E



000348-006

TAIL LIGHTS

| ITEM | PART NO. | DESCRIPTION | QTY |
|------|-----------|---|-----|
| | | 1 2 3 4 | |
| 1 | 1011497 | Bezel, Taillight | 1 |
| 2 | 1011557 | Screw, #6-32 X 1.00 Hex-Head Machine | 1 |
| 3 | 1011558 | Nut, #6-32 Hex | 1 |
| 4 | 1017035 | Taillight Assembly (includes items 5 through 9) | 1 |
| 5 | N/A | Light, Tail (includes items 6 through 8) | 1 |
| 6 | 1011582 | Taillight Bulb | 1 |
| 7 | 1011843 | Taillight Lens | 1 |
| 8 | N/A | Base, Taillight | 1 |
| 9 | 1017699 | Hardware Kit, Tail Light (includes items 10 and 11) | 1 |
| 10 | N/A | Gasket | 1 |
| 11 | N/A | Screw, Tapered | 2 |
| 12 | 102915601 | Plastic Rivet - Tuflock | 1 |
| 13 | 7591 | Washer, #6, Flat | 1 |

4
G
E

4

G

E

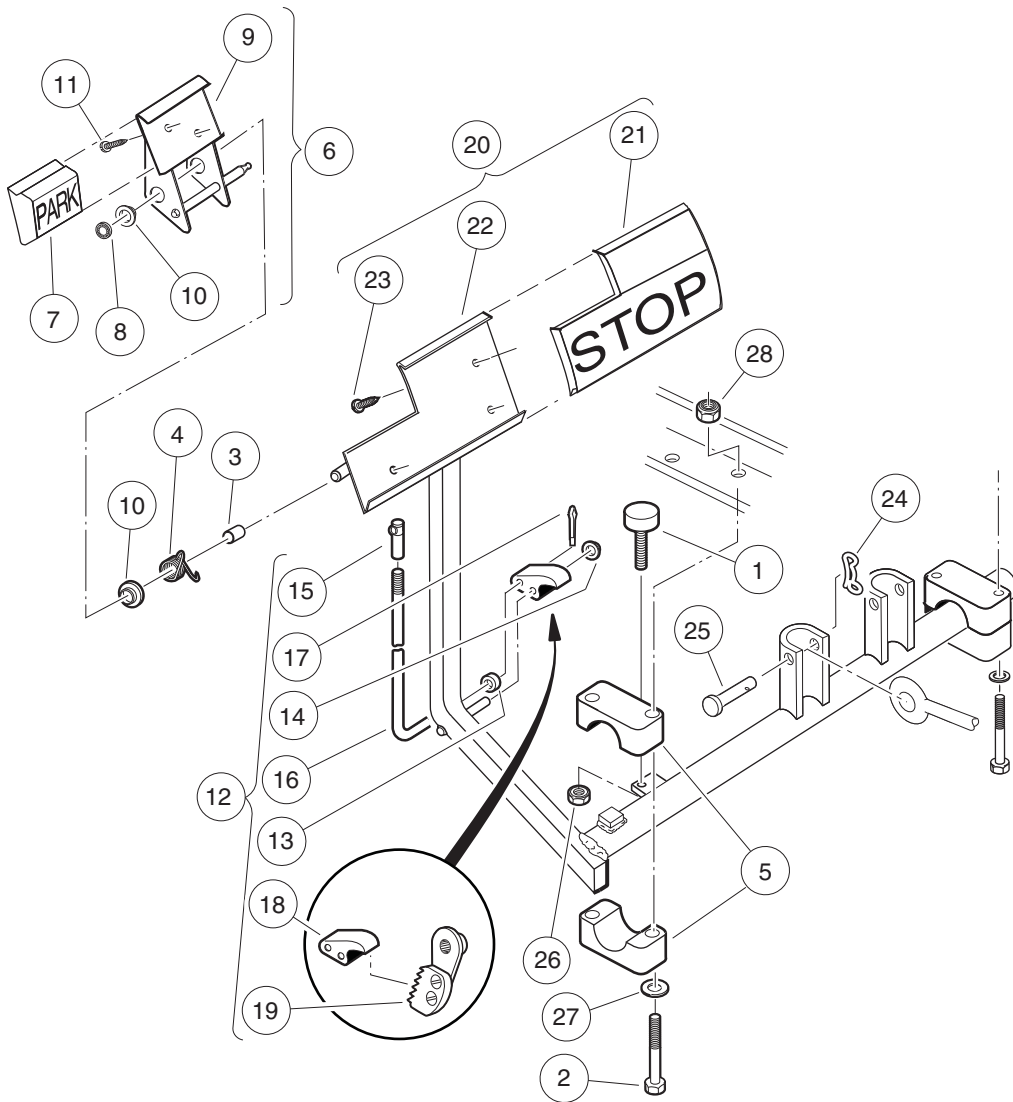
BRAKES, PEDALS, AND CABLES

5

G

E

5
G
E



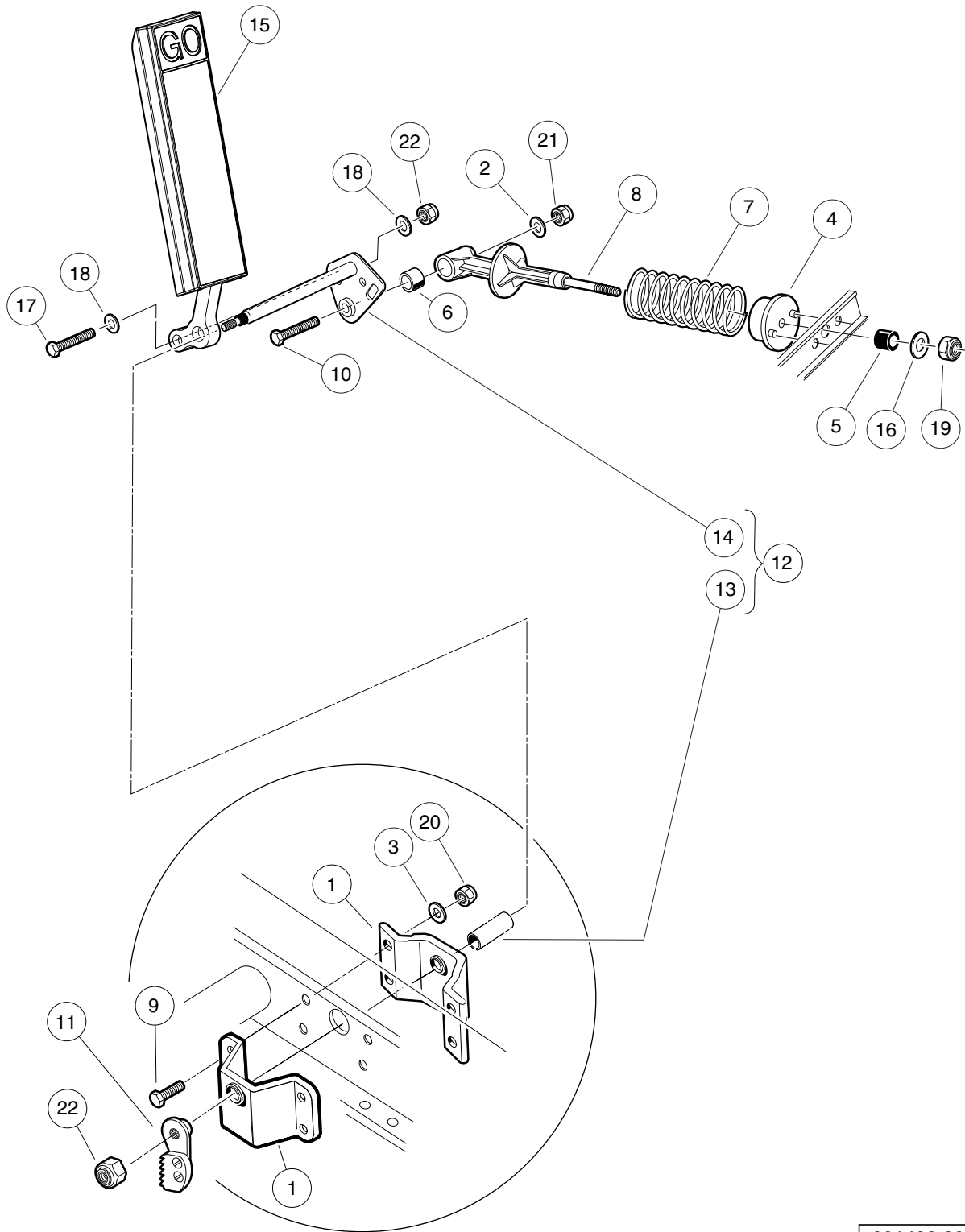
000187-001

BRAKE PEDAL ASSEMBLY

| ITEM | PART NO. | DESCRIPTION | QTY |
|------|-----------|--|-----|
| | | 1 2 3 4 | |
| 1 | 1010878 | Bumper, Rubber | 1 |
| 2 | 1010921 | Screw, 5/16-18 X 2.50 Hex Cap | 4 |
| 3 | 1010927 | Hill Brake Spacer | 1 |
| 4 | 1010933 | Spring, Hill Brake Torsion | 1 |
| 5 | 1011402 | Package, Brake Mounting Block | 1 |
| 6 | 1011418 | Kit, Hill Brake Pedal (includes items 7 through 11) | 1 |
| 7 | 1013870 | Pad, Hill Brake | 1 |
| 8 | 1013876 | Pushnut, 3/8 | 1 |
| 9 | N/A | Hill Brake Weld Assembly | 1 |
| 10 | 1032 | Bushing, Nylon | 2 |
| 11 | 7716 | Screw, #10-16 Type AB, Sheet Metal | 2 |
| 12 | 101187702 | Kit, Hill Brake Latch (includes items 13 through 19) | 1 |
| 13 | 1010805 | Sleeve, Hill Brake Rod | 1 |
| 14 | 1010877 | Pushnut, 3/8 | 1 |
| 15 | 1010932 | Ball Joint, 1/4-28 | 1 |
| 16 | N/A | Rod, Hill Brake | 1 |
| 17 | 1017029 | Pin, Cotter, 7/64 x 1/2 Stainless-Steel | 1 |
| 18 | N/A | Pawl, Hill Brake | 1 |
| 19 | 101918501 | Ratchet Assembly | 1 |
| 20 | 101878201 | Brake Pedal Kit (includes items 21 through 23) | 1 |
| 21 | 1013869 | Pad, Brake Pedal | 1 |
| 22 | N/A | Weldment, Brake Pedal, 2wr Std | 1 |
| 23 | 7716 | Screw, #10-16 Type AB, Sheet Metal | 3 |
| 24 | 102323101 | Pin, Bow Tie Locking | 1 |
| 25 | 102323201 | Pin, 3/8 X 1-5/16 Clevis | 1 |
| 26 | 1028 | Nut, 1/4-20 Hex | 1 |
| 27 | 1241 | Washer, 5/16 Type A Flat | 4 |
| 28 | 7473 | Locknut, 5/16-18 Nylon Insert | 4 |

5
G
E

5
G
E



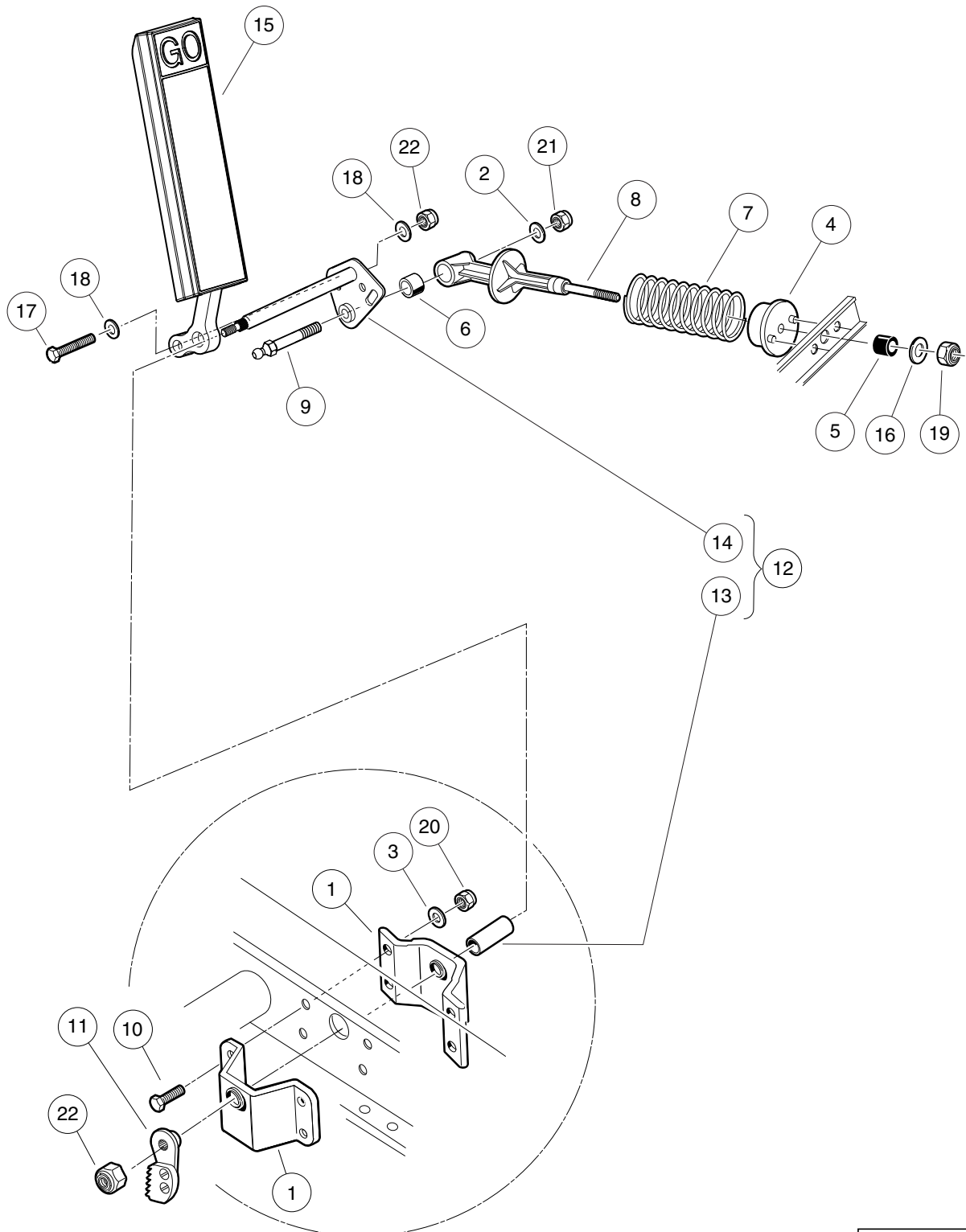
001406-001

ACCELERATOR PEDAL ASSEMBLY – ELECTRIC VEHICLES

| ITEM | PART NO. | DESCRIPTION | QTY |
|------|-----------|--|-----|
| | | 1 2 3 4 | |
| 1 | 1011694 | Accelerator Bracket and Bearing Assembly | 2 |
| 2 | 1011931 | Washer, 1/4 Flat | 1 |
| 3 | 1014007 | Washer, 1/4, Flat | 4 |
| 4 | 1017378 | Cup, Spring | 1 |
| 5 | 1017380 | Bumper, Spring Return | 1 |
| 6 | 1017424 | Bearing, Pivot Support | 1 |
| 7 | 101796201 | Spring, Accelerator Return | 1 |
| 8 | 101817401 | Retainer, Spring | 1 |
| 9 | 101861901 | Screw, 1/4-20 X 1.125 Hex Cap | 4 |
| 10 | 101862001 | Screw, 1/4-20 X 1.500 Flange | 1 |
| 11 | 101918501 | Ratchet Assembly | 1 |
| 12 | 102026001 | Kit, Accelerator Pivot Rod Assembly (includes items 13 and 14) | 1 |
| 13 | 101919801 | Spacer, Accelerator | 1 |
| 14 | 102158901 | Pivot Rod Weldment | 1 |
| 15 | 103865101 | Pedal, Accel, Insert | A/R |
| 16 | 1241 | Washer, 5/16 Type A Flat | 1 |
| 17 | 1624 | Screw, 3/8-16 X 1.50, Hex-Head Cap | 1 |
| 18 | 334 | Washer, 3/8, Type A, Flat | 2 |
| 19 | 7473 | Locknut, 5/16-18 Nylon Insert | 1 |
| 20 | 8233 | Locknut, 1/4-20, Nylon Insert | 4 |
| 21 | 8717 | Locknut, Nylon Insert, 1/4-28 | 1 |
| 22 | 8754 | Locknut, 3/8-16 Hex | 2 |

5
G
E

5
G
E



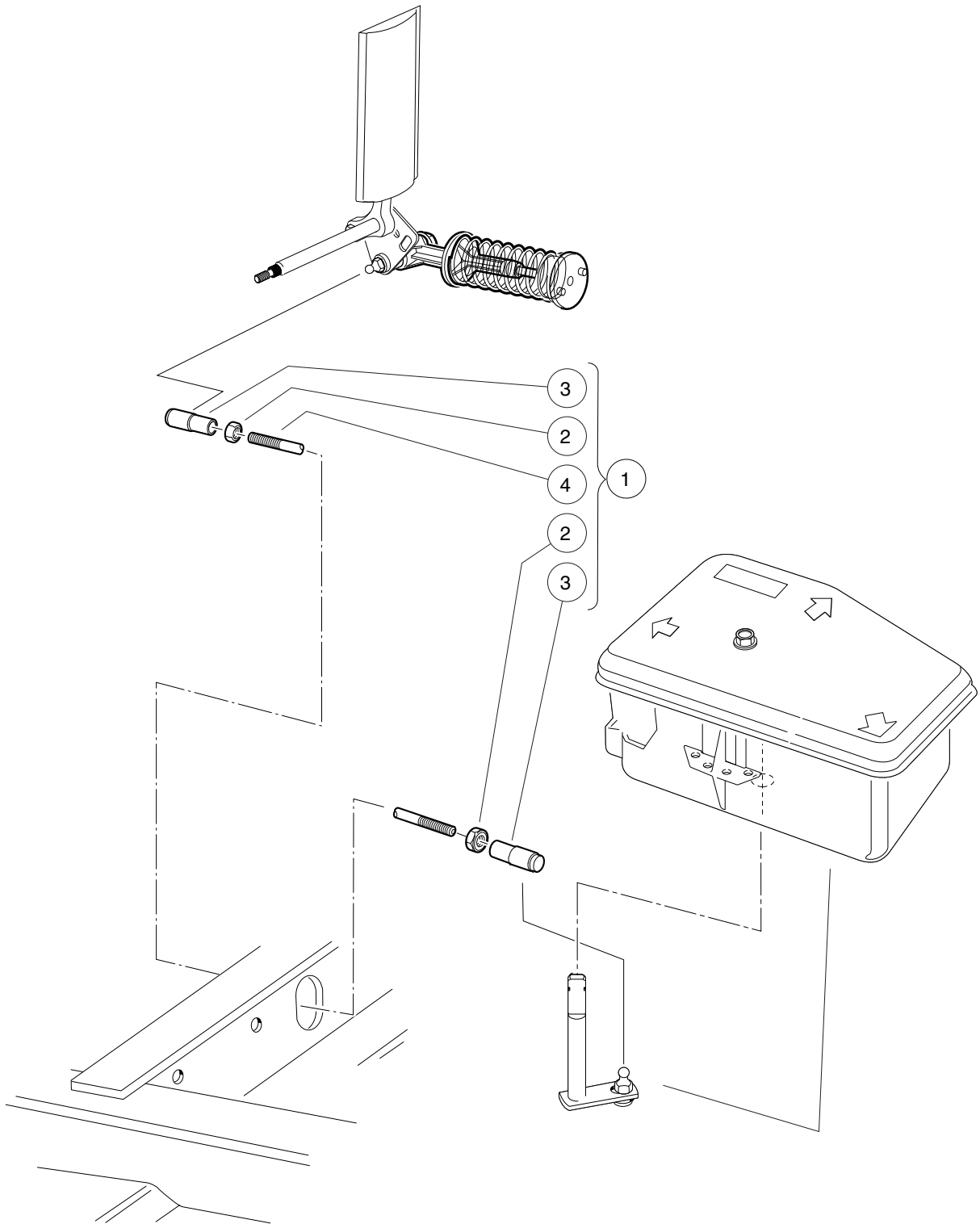
001407-003

ACCELERATOR PEDAL ASSEMBLY – GASOLINE VEHICLES

| ITEM | PART NO. | DESCRIPTION | QTY |
|------|-----------|--|-----|
| | | 1 2 3 4 | |
| 1 | 1011694 | Accelerator Bracket and Bearing Assembly | 2 |
| 2 | 1011931 | Washer, 1/4 Flat | 1 |
| 3 | 1014007 | Washer, 1/4, Flat | 4 |
| 4 | 1017378 | Cup, Spring | 1 |
| 5 | 1017380 | Bumper, Spring Return | 1 |
| 6 | 1017424 | Bearing, Pivot Support | 1 |
| 7 | 101796201 | Spring, Accelerator Return | 1 |
| 8 | 101817401 | Retainer, Spring | 1 |
| 9 | 101818801 | Stud, 1/4-28 X 1.35 Ball | 1 |
| 10 | 101861901 | Screw, 1/4-20 X 1.125 Hex Cap | 4 |
| 11 | 101918501 | Ratchet Assembly | 1 |
| 12 | 102026001 | Kit, Accelerator Pivot Rod Assembly (includes items 13 and 14) | 1 |
| 13 | 101919801 | Spacer, Accelerator | 1 |
| 14 | 102158901 | Pivot Rod Weldment | 1 |
| 15 | 103865101 | Pedal, Accel, Insert | 1 |
| 16 | 1241 | Washer, 5/16 Type A Flat | 1 |
| 17 | 1624 | Screw, 3/8-16 X 1.50, Hex-Head Cap | 1 |
| 18 | 334 | Washer, 3/8, Type A, Flat | 2 |
| 19 | 7473 | Locknut, 5/16-18 Nylon Insert | 1 |
| 20 | 8233 | Locknut, 1/4-20, Nylon Insert | 4 |
| 21 | 8717 | Locknut, Nylon Insert, 1/4-28 | 1 |
| 22 | 8754 | Locknut, 3/8-16 Hex | 2 |

5
G
E

5
G
E



000362-001

ACCELERATOR ROD – TURF/CA6/VILL6/TPORTER GAS VEHICLES

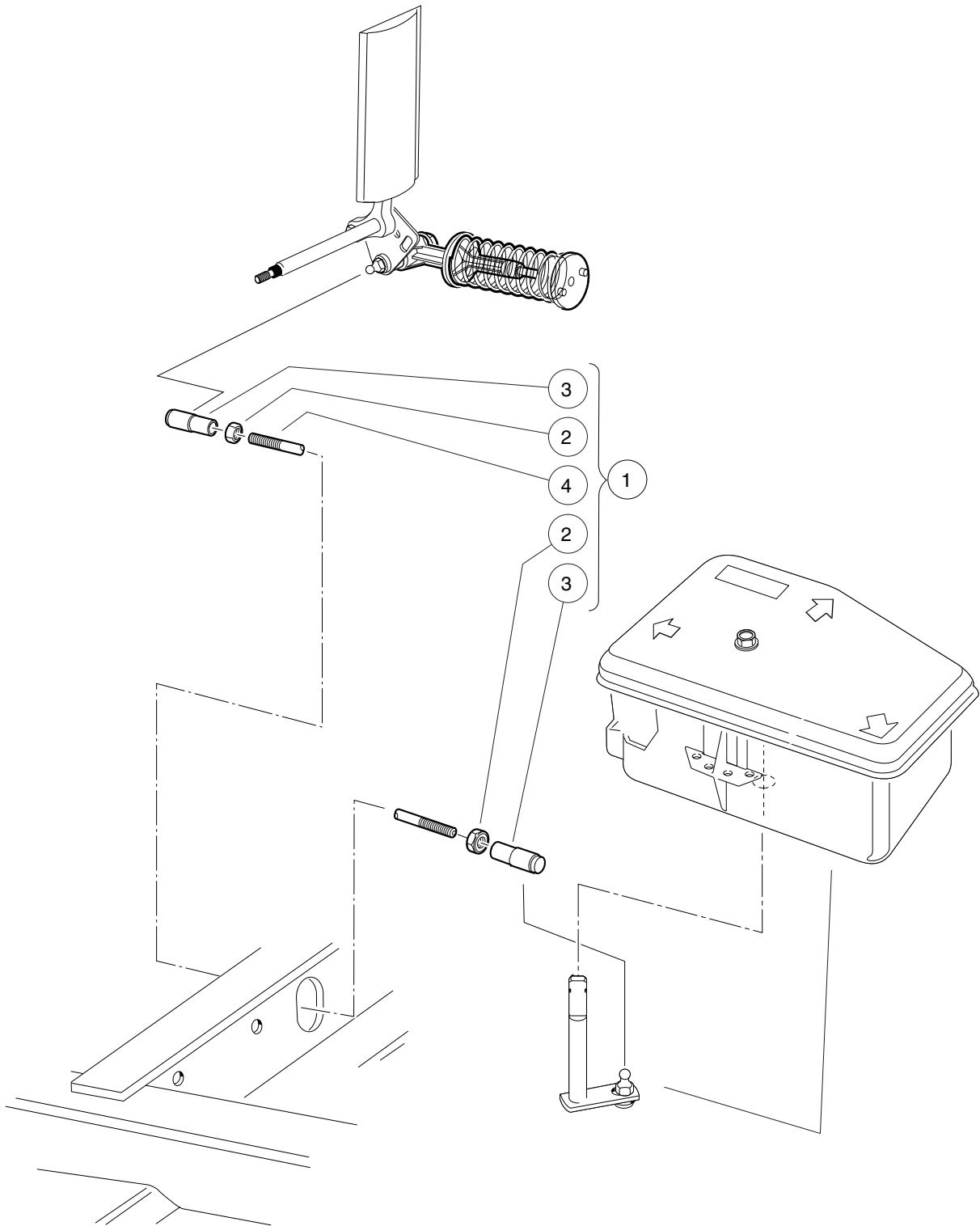
| ITEM | PART NO. | DESCRIPTION | QTY |
|------|-----------|---|-----|
| | | 1 2 3 4 | |
| 1 | 101674702 | Rod, Accelerator (includes items 2 through 4) | 1 |
| 2 | 1011084 | Nut, 1/4-28 Hex Jam | 2 |
| 3 | 1011734 | Joint, Ball | 2 |
| 4 | N/A | Accelerator Rod Elec Stretch | 1 |

5

G

E

5
G
E



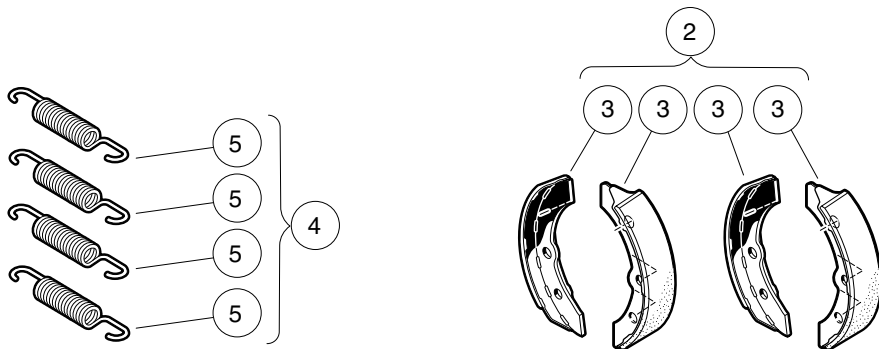
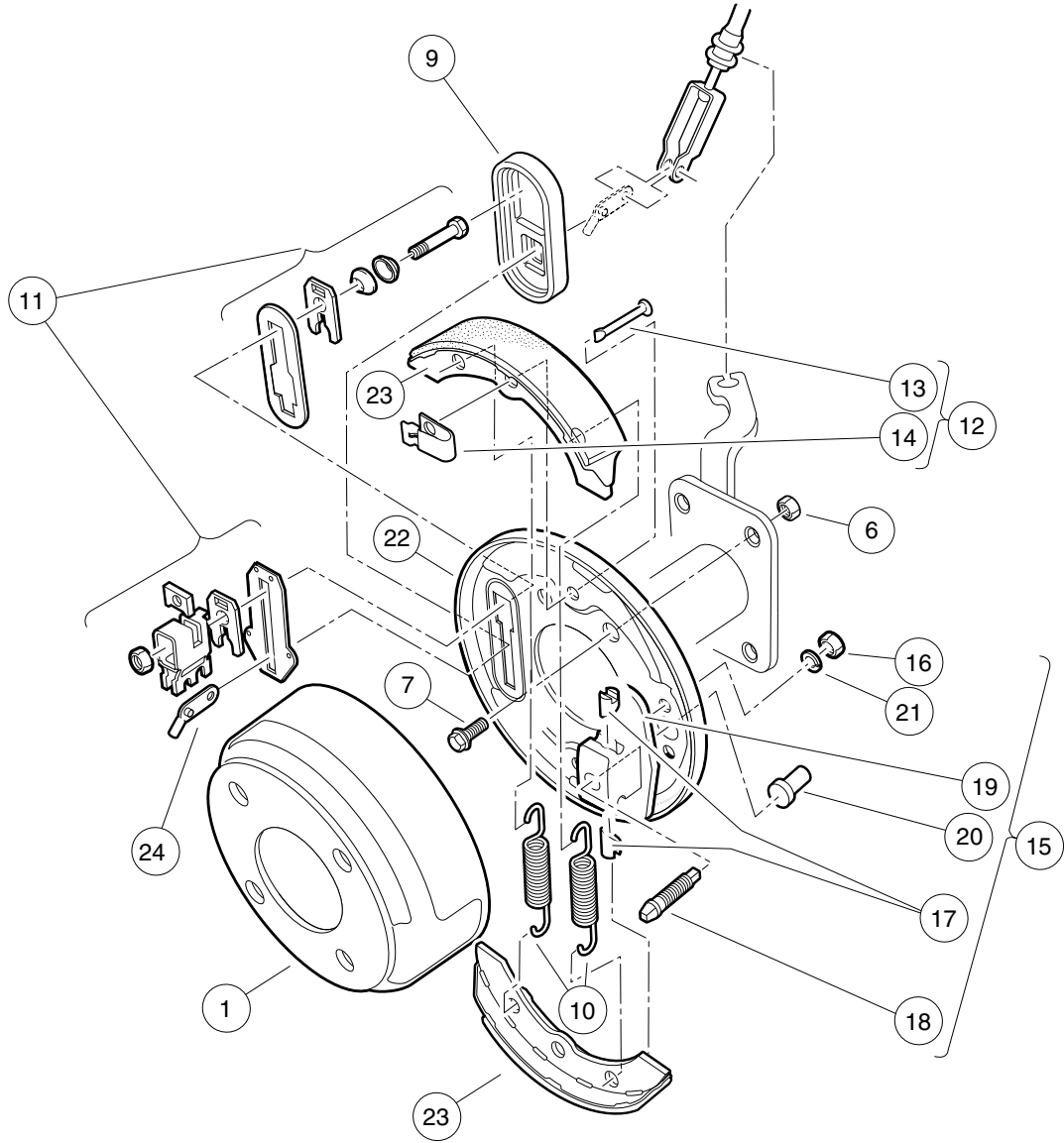
000362-001

ACCELERATOR ROD – VILLAGER 8 GAS VEHICLES

| ITEM | PART NO. | DESCRIPTION | QTY |
|------|-----------|--|-----|
| | | 1 2 3 4 | |
| 1 | 101674704 | Accelerator Rod Assembly, RV XL (includes items 2 through 4) | 1 |
| 2 | 1011084 | Nut, 1/4-28 Hex Jam | 2 |
| 3 | 1011734 | Joint, Ball | 2 |
| 4 | N/A | Accelerator Rod, RV XL | 1 |

5
G
E

5
G
E



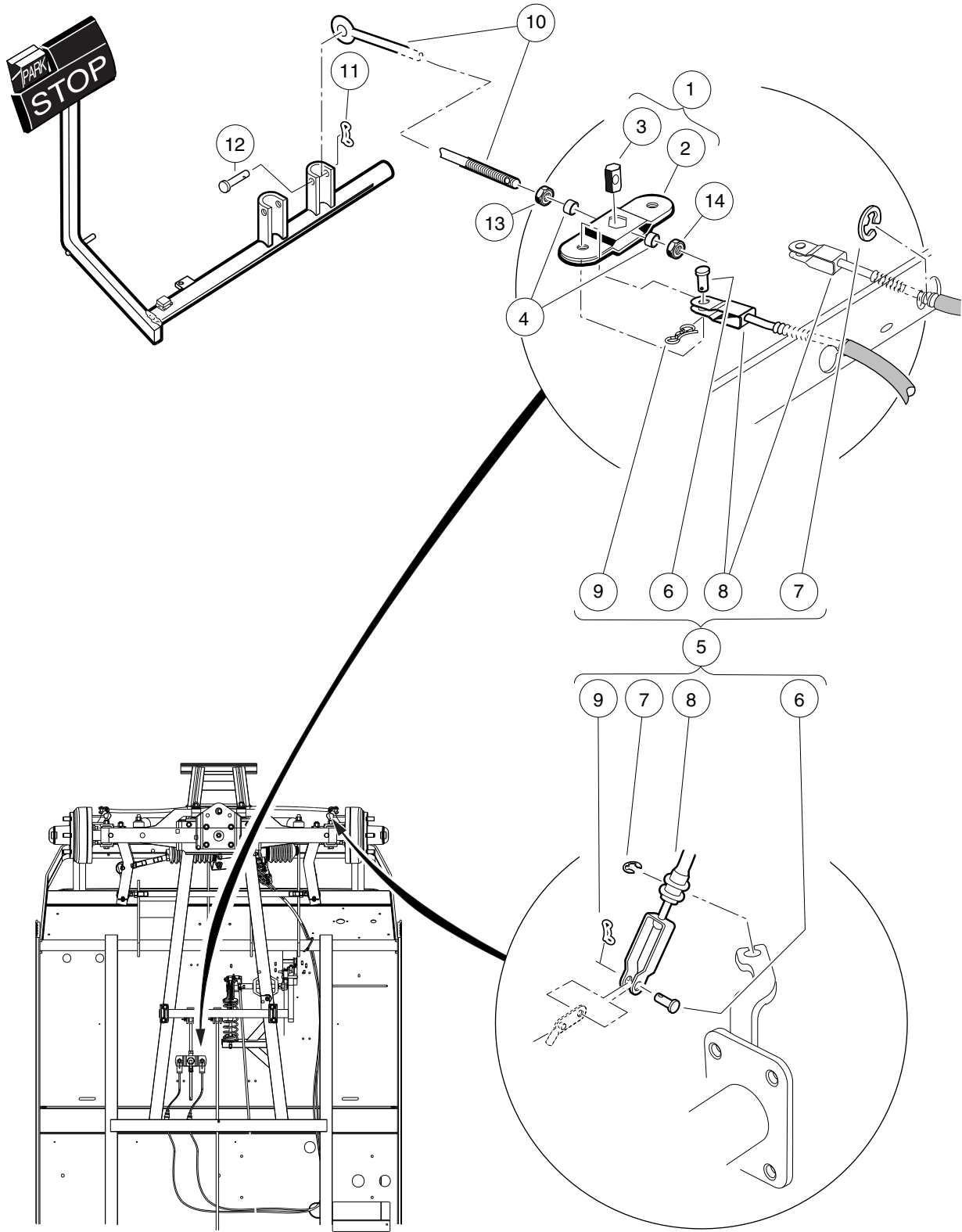
000298-001

FRONT BRAKE ASSEMBLY – VEHICLES WITH FOUR-WHEEL BRAKES

| ITEM | PART NO. | DESCRIPTION | QTY |
|------|-----------|---|-----|
| | | 1 2 3 4 | |
| 1 | 1011137 | Drum, Brake | 2 |
| 2 | 101146302 | Kit, Non-Asbestos Brake Shoe (includes item 3) | 1 |
| 3 | 101880701 | Shoe Brake Manual Adj (Available in Kit, Non-Asbestos Brake Shoe) | 4 |
| 4 | 1011464 | Package, Brake Spring (includes item 5) | 1 |
| 5 | 1011314 | Brake Spring | 4 |
| 6 | 1013924 | Nut, 5/16-24, Hex Head Cone | 8 |
| 7 | 1014153 | Bolt, Brake Cluster Mounting | 8 |
| 8 | 1016557 | Cluster, Brake, Driver-Side (includes items 9 through 24) | 1 |
| 9 | 1010850 | Dust Cover | 1 |
| 10 | 1011314 | Brake Spring | 2 |
| 11 | 1011465 | Kit, Brake Actuator | 1 |
| 12 | 1011466 | Kit, Shoe Retainer (includes items 13 and 14) | 1 |
| 13 | N/A | Pin | 2 |
| 14 | N/A | Shoe Clamp Spring | 2 |
| 15 | 1011467 | Kit, Anchor Body (includes items 16 through 21) | 1 |
| 16 | 1011114 | Nut, M6-1.00 Hex | 2 |
| 17 | 1011298 | Anchor Piston | 2 |
| 18 | N/A | Adjustment Bolt | 1 |
| 19 | N/A | Anchor Body Component | 1 |
| 20 | 1011303 | Adjustment Bolt Cap | 1 |
| 21 | 451 | Lockwasher, 1/4 Split | 2 |
| 22 | 1011494 | Backing Plate, Left-Hand | 1 |
| 23 | 101880701 | Shoe Brake Manual Adj (Available in Kit, Non-Asbestos Brake Shoe) | 2 |
| 24 | N/A | Arm, Brake Lever | 1 |
| 25 | 1016573 | Cluster, Brake, Passenger-Side (includes items 26 through 41) | 1 |
| 26 | 1010850 | Dust Cover | 1 |
| 27 | 1011154 | Backing Plate, Right-Hand | 1 |
| 28 | 1011314 | Brake Spring | 2 |
| 29 | 1011465 | Kit, Brake Actuator | 1 |
| 30 | 1011466 | Kit, Shoe Retainer (includes items 31 and 32) | 1 |
| 31 | N/A | Pin | 2 |
| 32 | N/A | Shoe Clamp Spring | 2 |
| 33 | 1011467 | Kit, Anchor Body (includes items 34 through 39) | 1 |
| 34 | 1011114 | Nut, M6-1.00 Hex | 2 |
| 35 | 1011298 | Anchor Piston | 2 |
| 36 | N/A | Adjustment Bolt | 1 |
| 37 | N/A | Anchor Body Component | 1 |
| 38 | 1011303 | Adjustment Bolt Cap | 1 |
| 39 | 451 | Lockwasher, 1/4 Split | 2 |
| 40 | 101880701 | Shoe Brake Manual Adj (Available in Kit, Non-Asbestos Brake Shoe) | 2 |
| 41 | N/A | Arm, Brake Lever | 1 |
| | | Note: Passenger-side brake cluster not shown. Components have a similar appearance to driver-side brake cluster components. | |

5
G
E

5
G
E



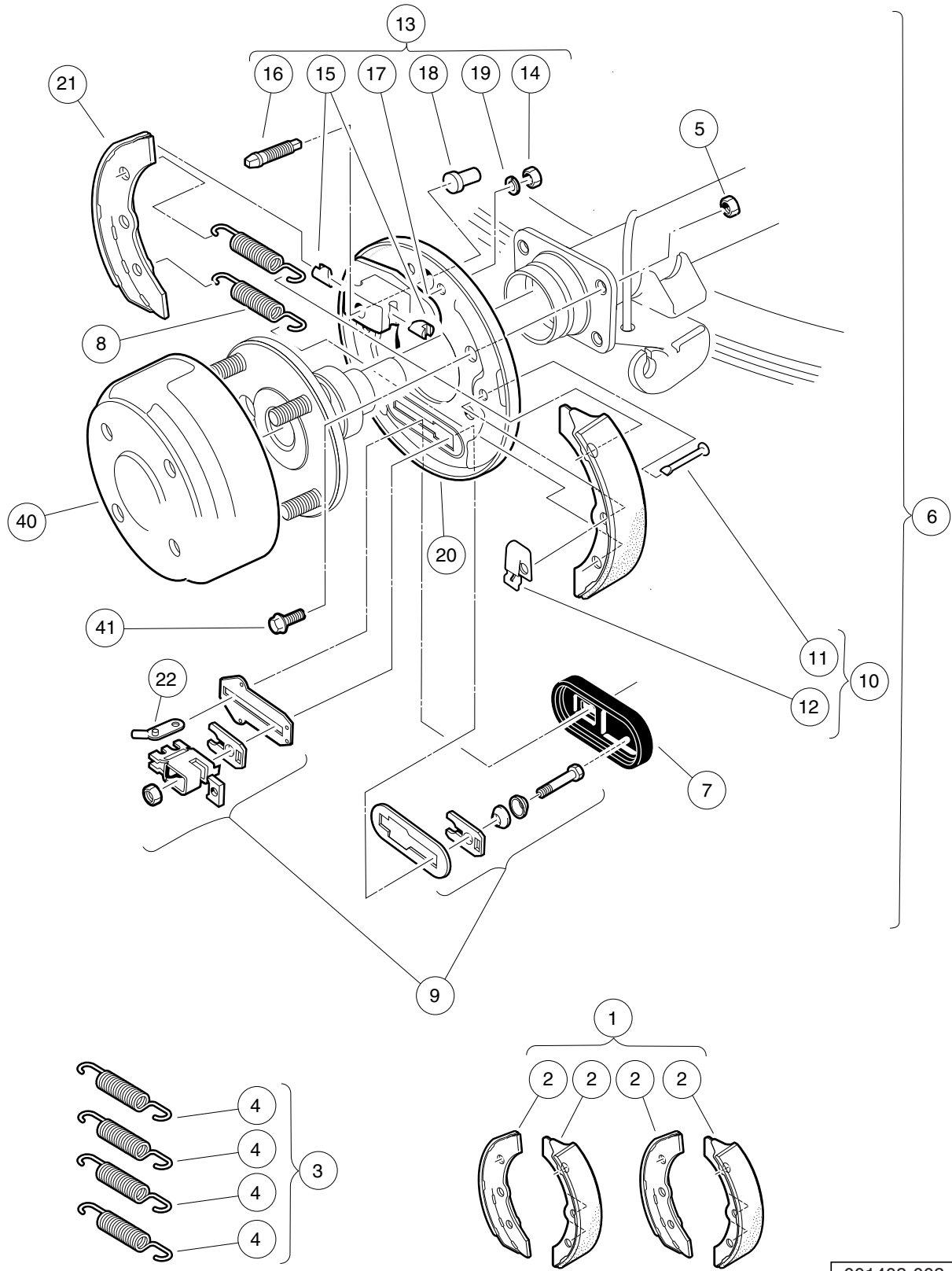
000294-001

FRONT BRAKE CABLES AND EQUALIZER – VEHICLES WITH FOUR-WHEEL BRAKES

| ITEM | PART NO. | DESCRIPTION | QTY |
|------|-----------|---|-----|
| | | 1 2 3 4 | |
| 1 | 1017211 | Kit, Equalizer and Pivot Limiter (includes items 2 and 3) | 1 |
| 2 | 1016319 | Equalizer Weld Assembly | 1 |
| 3 | 1016320 | Equalizer, Pivot Limiter | 1 |
| 4 | 101865301 | Spacer | 2 |
| 5 | 101874601 | Kit, Brake Cable (includes items 6 through 9) | 1 |
| 6 | 1010829 | Pin, Clevis, 5/16 X 3/4 | 4 |
| 7 | 1011779 | E-Clip, 1/2 | 4 |
| 8 | N/A | Brake Cable | 2 |
| 9 | 102292801 | Pin, Bow Tie Locking - .072 | 4 |
| 10 | 101953106 | Rod, Equalizer, 9.75" | 1 |
| 11 | 102323101 | Pin, Bow Tie Locking | 1 |
| 12 | 102323201 | Pin, 3/8 X 1-5/16 Clevis | 1 |
| 13 | 1242 | Nut, 5/16-18 Hex | 1 |
| 14 | 7473 | Locknut, 5/16-18 Nylon Insert | 1 |

5
G
E

5
G
E



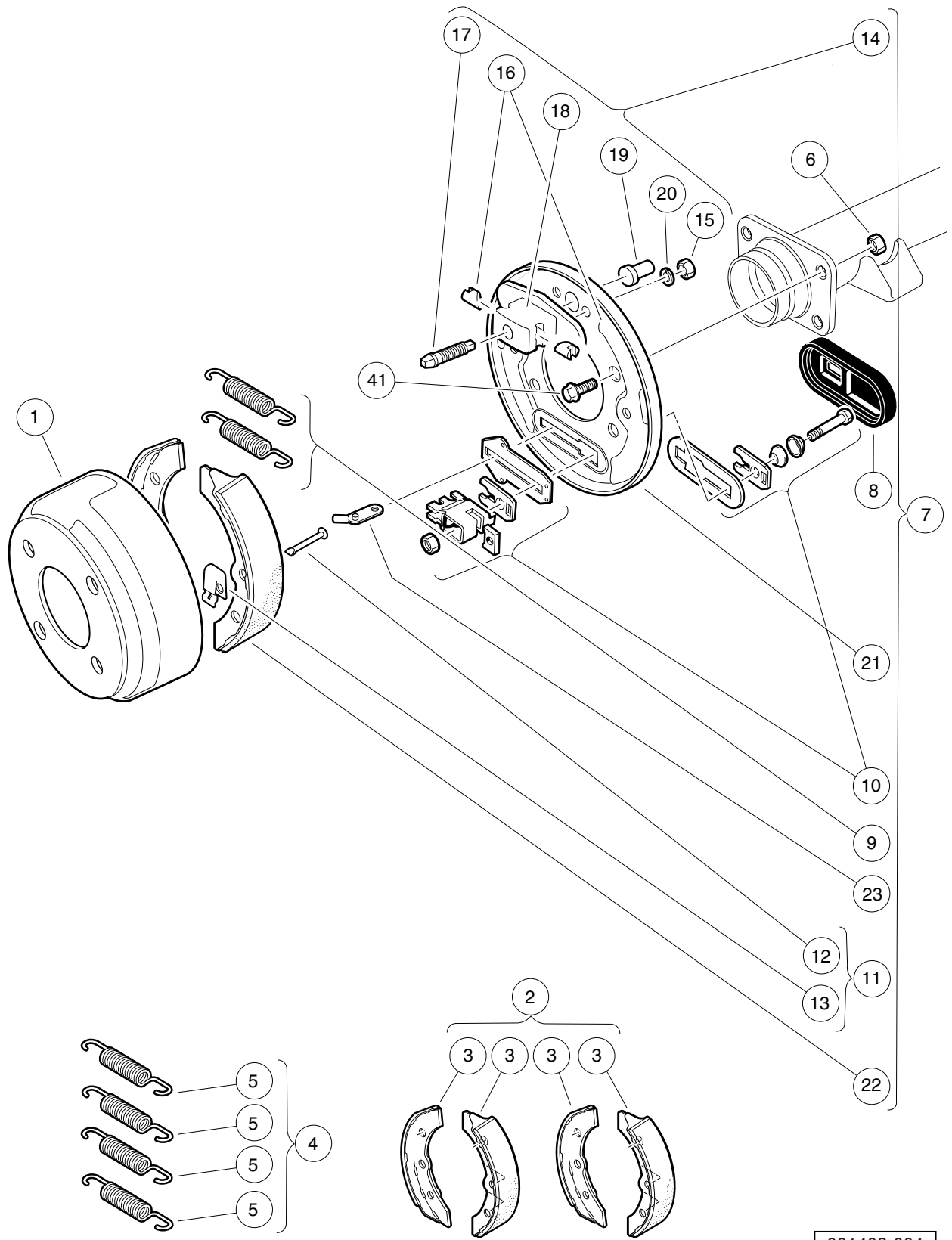
001403-003

REAR BRAKES, MANUALLY-ADJUSTED – ELEC. VEHICLES WITH 4-WHEEL BRAKES

| ITEM | PART NO. | DESCRIPTION | QTY |
|------|-------------|--|-----|
| | | 1 2 3 4 | |
| 1 | 101146302 | Kit, Non-Asbestos Brake Shoe (includes item 2) | 1 |
| 2 | 101880701 | Shoe Brake Manual Adj (Available in Kit, Non-Asbestos Brake Shoe) | 4 |
| 3 | 1011464 | Package, Brake Spring (includes item 4) | 1 |
| 4 | 1011314 | Brake Spring | 4 |
| 5 | 1013924 | Nut, 5/16-24, Hex Head Cone | 8 |
| 6 | 1016557 | Cluster, Brake, Driver-Side (includes items 7 through 22) | 1 |
| 7 | 1010850 | Dust Cover | 1 |
| 8 | 1011314 | Brake Spring | 2 |
| 9 | 1011465 | Kit, Brake Actuator | 1 |
| 10 | 1011466 | Kit, Shoe Retainer (includes items 11 and 12) | 1 |
| 11 | N/A | Pin | 2 |
| 12 | N/A | Shoe Clamp Spring | 2 |
| 13 | 1011467 | Kit, Anchor Body (includes items 14 through 19) | 1 |
| 14 | 1011114 | Nut, M6-1.00 Hex | 2 |
| 15 | 1011298 | Anchor Piston | 2 |
| 16 | N/A | Adjustment Bolt | 1 |
| 17 | N/A | Anchor Body Component | 1 |
| 18 | 1011303 | Adjustment Bolt Cap | 1 |
| 19 | 451 | Lockwasher, 1/4 Split | 2 |
| 20 | 1011494 | Backing Plate, Left-Hand | 1 |
| 21 | 101880701 | Shoe Brake Manual Adj (Available in Kit, Non-Asbestos Brake Shoe) | 2 |
| 22 | N/A | Arm, Brake Lever | 1 |
| 23 | 1016573 | Cluster, Brake, Passenger-Side (includes items 24 through 39) | 1 |
| 24 | 1010850 | Dust Cover | 1 |
| 25 | 1011154 | Backing Plate, Right-Hand | 1 |
| 26 | 1011314 | Brake Spring | 2 |
| 27 | 1011465 | Kit, Brake Actuator | 1 |
| 28 | 1011466 | Kit, Shoe Retainer (includes items 29 and 30) | 1 |
| 29 | N/A | Pin | 2 |
| 30 | N/A | Shoe Clamp Spring | 2 |
| 31 | 1011467 | Kit, Anchor Body (includes items 32 through 37) | 1 |
| 32 | 1011114 | Nut, M6-1.00 Hex | 2 |
| 33 | 1011298 | Anchor Piston | 2 |
| 34 | N/A | Adjustment Bolt | 1 |
| 35 | N/A | Anchor Body Component | 1 |
| 36 | 1011303 | Adjustment Bolt Cap | 1 |
| 37 | 451 | Lockwasher, 1/4 Split | 2 |
| 38 | 101880701 | Shoe Brake Manual Adj (Available in Kit, Non-Asbestos Brake Shoe) | 2 |
| 39 | N/A | Arm, Brake Lever | 1 |
| 40 | 101791101 | Drum without Center Hole, Brake | 2 |
| 41 | 47542195001 | Bolt, Brake Cluster Mnt | 8 |
| | | Note: Passenger-side brake cluster (items 24-40) not shown. Components have a similar appearance to driver-side brake cluster components. | |

5
G
E

5
G
E



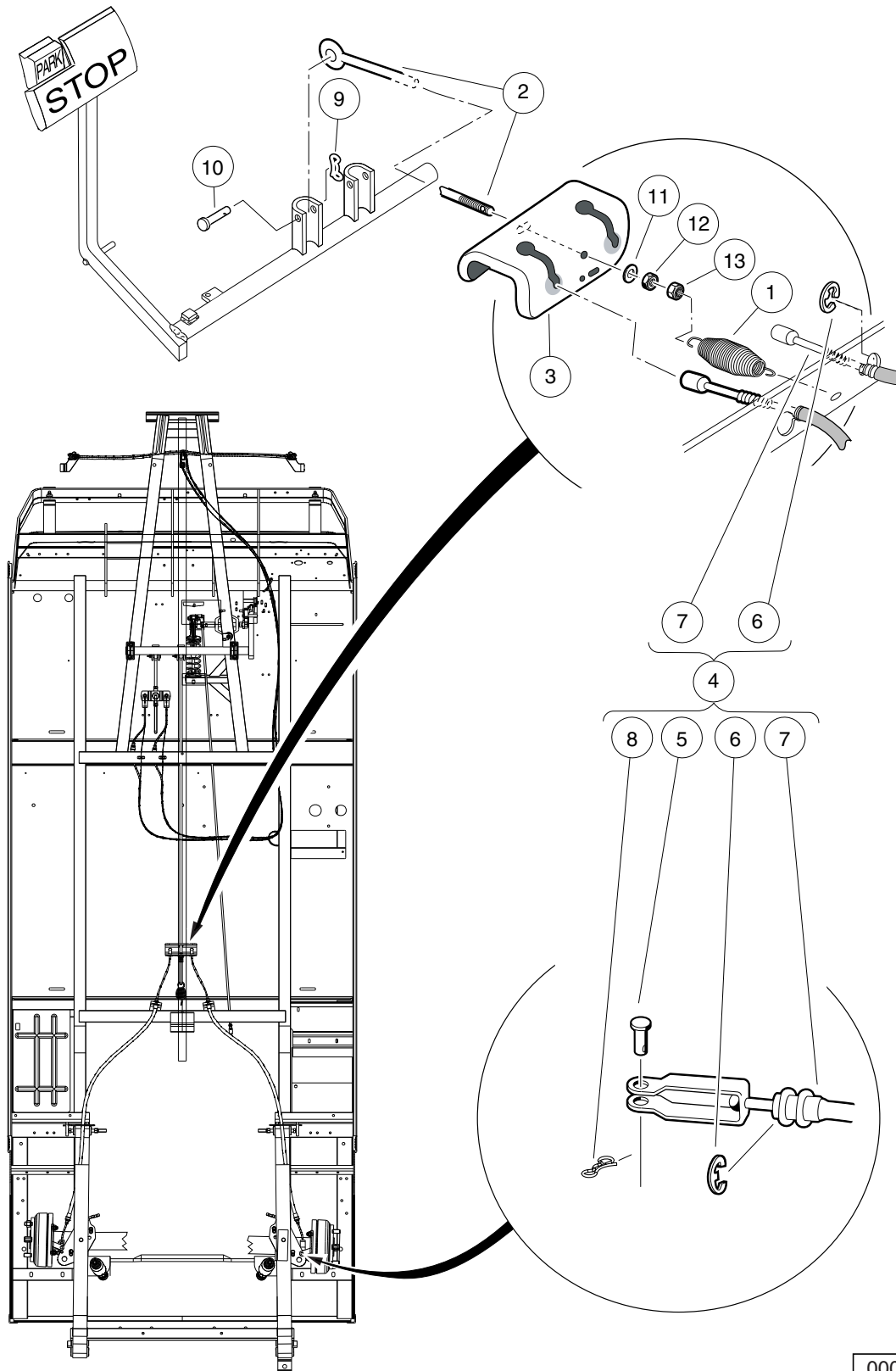
001403-004

REAR BRAKES, MANUALLY-ADJUSTED – GAS VEHICLES WITH 4-WHEEL BRAKES

| ITEM | PART NO. | DESCRIPTION | QTY |
|------|-------------|---|-----|
| | | 1 2 3 4 | |
| 1 | 1011137 | Drum, Brake | 2 |
| 2 | 101146302 | Kit, Non-Asbestos Brake Shoe (includes item 3) | 1 |
| 3 | 101880701 | Shoe Brake Manual Adj (Available in Kit, Non-Asbestos Brake Shoe) | 4 |
| 4 | 1011464 | Package, Brake Spring (includes item 5) | 1 |
| 5 | 1011314 | Brake Spring | 4 |
| 6 | 1013924 | Nut, 5/16-24, Hex Head Cone | 8 |
| 7 | 1016557 | Cluster, Brake, Driver-Side (includes items 8 through 23) | 1 |
| 8 | 1010850 | Dust Cover | 1 |
| 9 | 1011314 | Brake Spring | 2 |
| 10 | 1011465 | Kit, Brake Actuator | 1 |
| 11 | 1011466 | Kit, Shoe Retainer (includes items 12 and 13) | 1 |
| 12 | N/A | Pin | 2 |
| 13 | N/A | Shoe Clamp Spring | 2 |
| 14 | 1011467 | Kit, Anchor Body (includes items 15 through 20) | 1 |
| 15 | 1011114 | Nut, M6-1.00 Hex | 2 |
| 16 | 1011298 | Anchor Piston | 2 |
| 17 | N/A | Adjustment Bolt | 1 |
| 18 | N/A | Anchor Body Component | 1 |
| 19 | 1011303 | Adjustment Bolt Cap | 1 |
| 20 | 451 | Lockwasher, 1/4 Split | 2 |
| 21 | 1011494 | Backing Plate, Left-Hand | 1 |
| 22 | 101880701 | Shoe Brake Manual Adj (Available in Kit, Non-Asbestos Brake Shoe) | 2 |
| 23 | N/A | Arm, Brake Lever | 1 |
| 24 | 1016573 | Cluster, Brake, Passenger-Side (includes items 25 through 40) | 1 |
| 25 | 1010850 | Dust Cover | 1 |
| 26 | 1011154 | Backing Plate, Right-Hand | 1 |
| 27 | 1011314 | Brake Spring | 2 |
| 28 | 1011465 | Kit, Brake Actuator | 1 |
| 29 | 1011466 | Kit, Shoe Retainer (includes items 30 and 31) | 1 |
| 30 | N/A | Pin | 2 |
| 31 | N/A | Shoe Clamp Spring | 2 |
| 32 | 1011467 | Kit, Anchor Body (includes items 33 through 38) | 1 |
| 33 | 1011114 | Nut, M6-1.00 Hex | 2 |
| 34 | 1011298 | Anchor Piston | 2 |
| 35 | N/A | Adjustment Bolt | 1 |
| 36 | N/A | Anchor Body Component | 1 |
| 37 | 1011303 | Adjustment Bolt Cap | 1 |
| 38 | 451 | Lockwasher, 1/4 Split | 2 |
| 39 | 101880701 | Shoe Brake Manual Adj (Available in Kit, Non-Asbestos Brake Shoe) | 2 |
| 40 | N/A | Arm, Brake Lever | 1 |
| 41 | 47542195001 | Bolt, Brake Cluster Mnt | 8 |
| | | Note: Passenger-side brake cluster (items 25-41) not shown. Components have a similar appearance to driver-side brake cluster components. | |

5
G
E

5
G
E



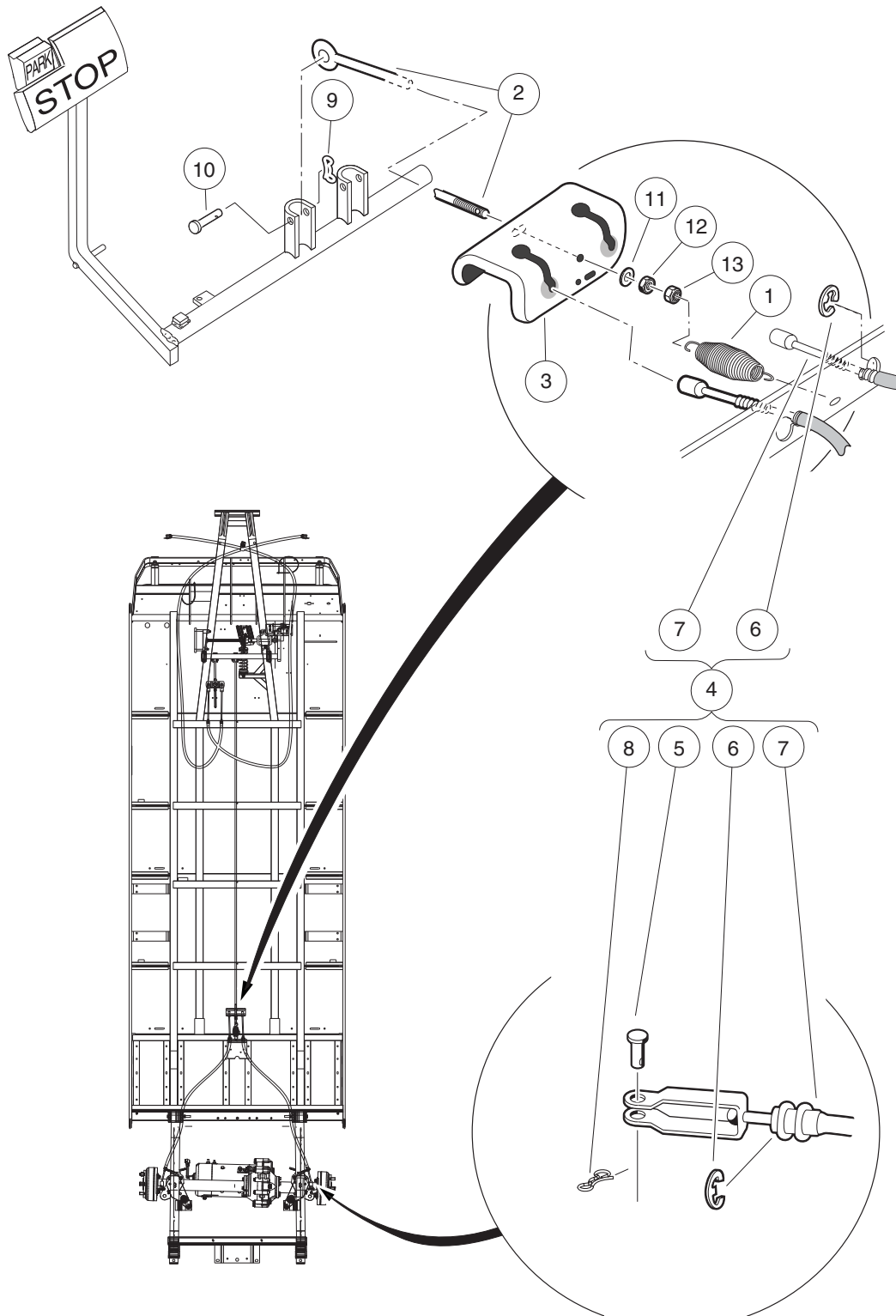
000296-004

REAR BRAKE CABLES AND EQUALIZER – TURF/CA6/VILL. 6/ TPORTER

| ITEM | PART NO. | DESCRIPTION | QTY |
|------|-----------|--|-----|
| | | 1 2 3 4 | |
| 1 | 1013531 | Spring, Brake Return | 1 |
| 2 | 101953103 | Rod, Equalizer, 41.91" | 1 |
| 3 | 101990801 | Equalizer Bracket | 1 |
| 4 | 102166901 | Kit, Brake Cable Rear (includes items 5 through 8) | 1 |
| 5 | 1010829 | Pin, Clevis, 5/16 X 3/4 | 2 |
| 6 | 1011779 | E-Clip, 1/2 | 4 |
| 7 | 102162601 | Cable, Brake | 2 |
| 8 | 102292801 | Pin, Bow Tie Locking - .072 | 2 |
| 9 | 102323101 | Pin, Bow Tie Locking | 1 |
| 10 | 102323201 | Pin, 3/8 X 1-5/16 Clevis | 1 |
| 11 | 1241 | Washer, 5/16 Type A Flat | 1 |
| 12 | 1242 | Nut, 5/16-18 Hex | 1 |
| 13 | 7473 | Locknut, 5/16-18 Nylon Insert | 1 |

5
G
E

5
G
E



000296-003

REAR BRAKE CABLES AND EQUALIZER – VILLAGER 8

| ITEM | PART NO. | DESCRIPTION | QTY |
|------|-----------|--|-----|
| | | 1 2 3 4 | |
| 1 | 1013531 | Spring, Brake Return | 1 |
| 2 | 101953104 | Rod, Equalizer | 1 |
| 3 | 101990801 | Equalizer Bracket | 1 |
| 4 | 102166901 | Kit, Brake Cable Rear (includes items 5 through 8) | 1 |
| 5 | 1010829 | Pin, Clevis, 5/16 X 3/4 | 2 |
| 6 | 1011779 | E-Clip, 1/2 | 4 |
| 7 | 102162601 | Cable, Brake | 2 |
| 8 | 102292801 | Pin, Bow Tie Locking - .072 | 2 |
| 9 | 102323101 | Pin, Bow Tie Locking | 1 |
| 10 | 102323201 | Pin, 3/8 X 1-5/16 Clevis | 1 |
| 11 | 1241 | Washer, 5/16 Type A Flat | 1 |
| 12 | 1242 | Nut, 5/16-18 Hex | 1 |
| 13 | 7473 | Locknut, 5/16-18 Nylon Insert | 1 |

5
G
E

5

G

E

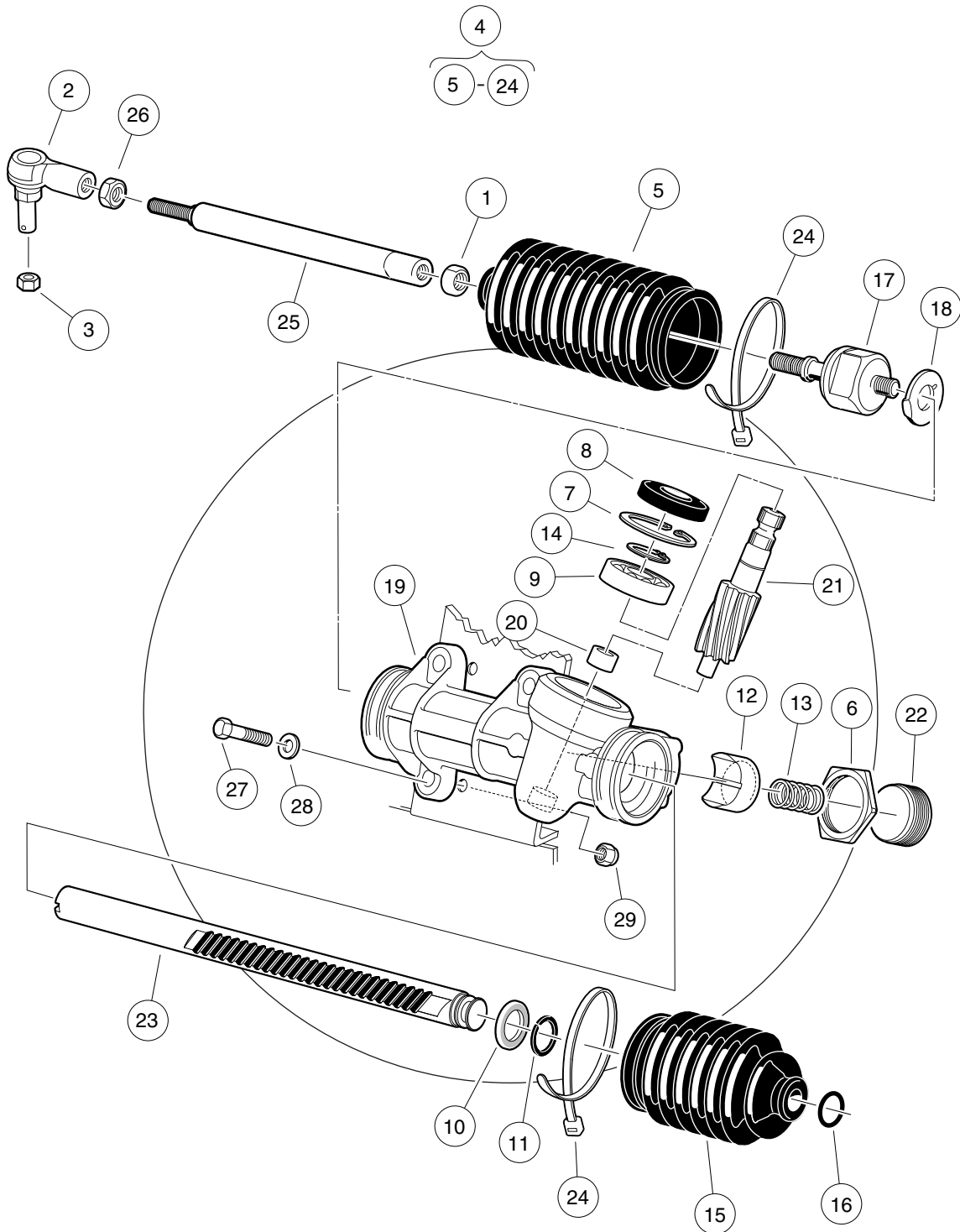
STEERING AND SUSPENSIONS

6

G

E

6
G
E



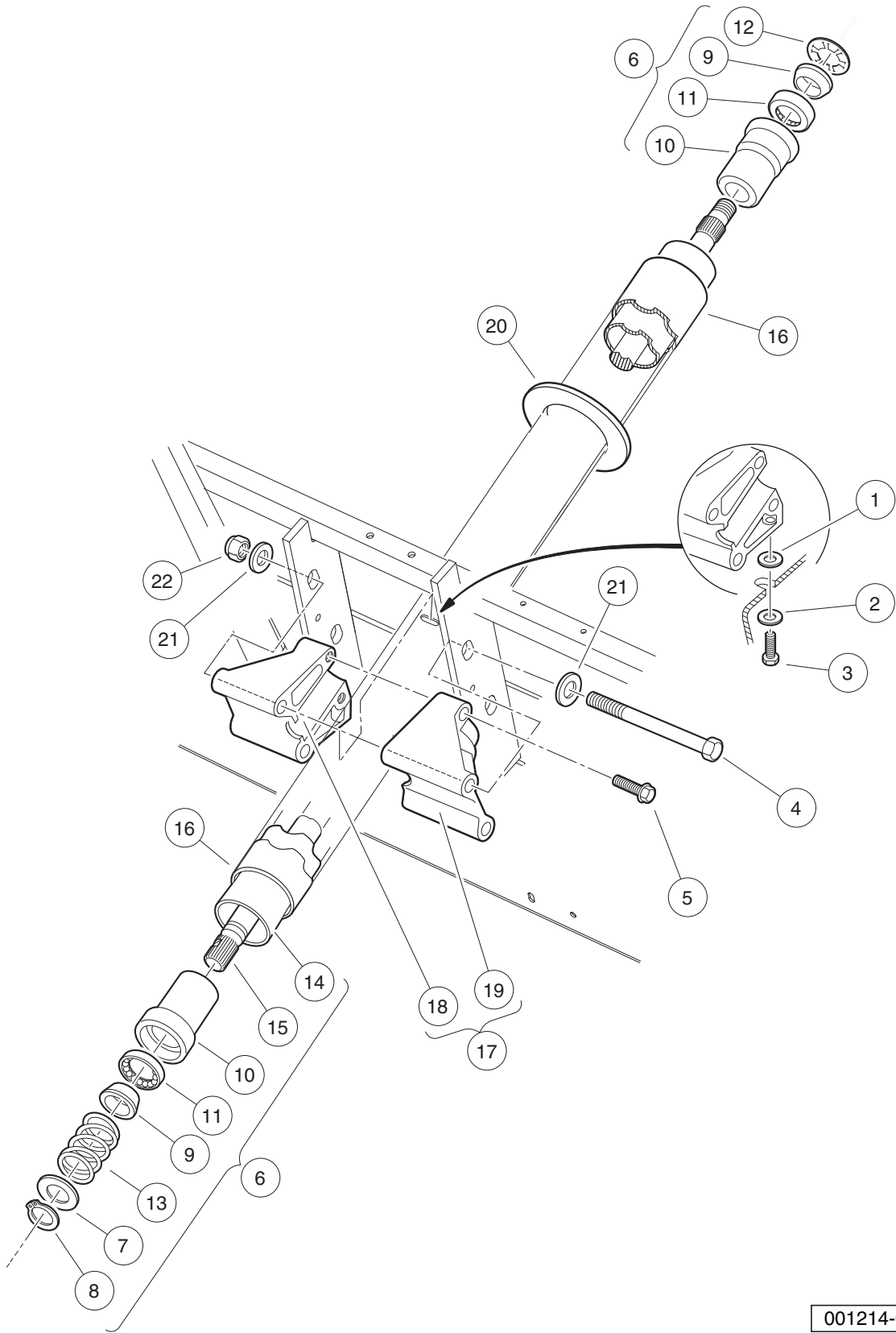
001500-002

STEERING GEAR ASSEMBLY (WANDA) – MAINT.-FREE BALL JOINT

| ITEM | PART NO. | DESCRIPTION | QTY |
|------|-----------|---|-----|
| | | 1 2 3 4 | |
| 1 | 1013042 | Nut, 12mm Hex | 1 |
| 2 | 102022602 | End, Tie Rod, M12 X 1.25, Lh | 1 |
| 3 | 102289201 | Nut - Hex Locking, M12 X 1.25 | 1 |
| 4 | 103601501 | Asm, Steering Rack And Pinion (includes items 5 through 24) | 1 |
| 5 | 1013035 | Bellows, Long | 1 |
| 6 | 1013044 | Rack Screw Locknut | 1 |
| 7 | N/A | Snap Ring | 1 |
| 8 | 1013052 | Seal, Steering Pinion Dust | 1 |
| 9 | 101879401 | Bearing, Ball | 1 |
| 10 | 101879501 | Stop Washer | 1 |
| 11 | 101879601 | Stop Ring, C-Type | 1 |
| 12 | 101879701 | Support Yoke | 1 |
| 13 | 101879801 | Rack Guide Pressure Spring | 1 |
| 14 | 101879901 | Ring, Stop, C-Type | 1 |
| 15 | 101880001 | Bellows, Short | 1 |
| 16 | 101880101 | Dust Seal Retaining Ring | 1 |
| 17 | 101880201 | Inner Ball Joint Asm | 1 |
| 18 | 101880301 | Washer, Tab | 1 |
| 19 | N/A | Box, Steering Gear | 1 |
| 20 | N/A | Bearing, Lower Pinion | 1 |
| 21 | N/A | Pinion, Steering | 1 |
| 22 | N/A | Screw, Rack Guide | 1 |
| 23 | N/A | Rack, Steering | 1 |
| 24 | 8990 | Tie Wrap, 8" Nylon | 2 |
| 25 | 103653401 | Link, Drag, Male Thd | 1 |
| 26 | 103653501 | Nut, Jam, M12-1.25, Lh | 1 |
| 27 | 1624 | Screw, 3/8-16 X 1.50, Hex-Head Cap | 3 |
| 28 | 334 | Washer, 3/8, Type A, Flat | 3 |
| 29 | 8754 | Locknut, 3/8-16 Hex | 3 |

6
G
E

6
G
E



001214-001

STEERING COLUMN – UTILITY

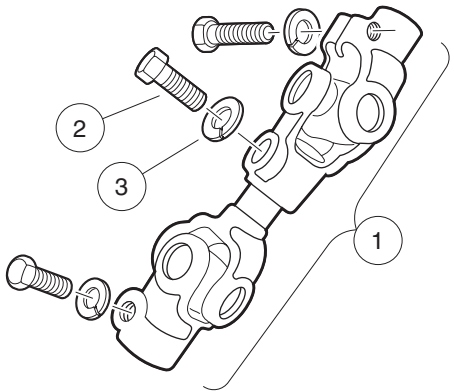
| ITEM | PART NO. | DESCRIPTION | QTY |
|------|-----------|--|-----|
| | | 1 2 3 4 | |
| 1 | 1011578 | Washer, 5/16 Type B Flat | 1 |
| 2 | 1011697 | Washer, 5/16 Flat | 1 |
| 3 | 1014288 | Screw, 5/16-18 X 0.75, Thread-Forming | 1 |
| 4 | 1016183 | Screw, 3/8-16 X 7.00 Hex Cap | 2 |
| 5 | 1016269 | Screw, 5/16-18 Thrd Forming | 2 |
| 6 | 1017313 | Steering Shaft Assembly (includes items 7 through 15) | 1 |
| 7 | 1012604 | Washer, 0.675 ID X 1.19 OD | 1 |
| 8 | 1012605 | Ring, 0.579 Internal Retaining | 1 |
| 9 | 1014125 | Wedge, Molded | 2 |
| 10 | 1014126 | Seat, Plastic Bearing | 2 |
| 11 | 1014213 | Bearing, Ball | 2 |
| 12 | 1014214 | Ring, Retaining | 1 |
| 13 | 1014217 | Spring, Steering Shaft | 1 |
| 14 | 1017314 | Column, Aluminum Steering | 1 |
| 15 | 1017315 | Shaft Steering Column | 1 |
| 16 | 1017317 | Tube Cover, Steering Column | 1 |
| 17 | 101984801 | Kit, Steering Column Mounting Bracket (includes items 18 and 19) | 1 |
| 18 | N/A | Bracket, RH Steering Column Mount | 1 |
| 19 | N/A | Bracket, LH Steering column mount | 1 |
| 20 | 102278001 | Boot, Steering Column Round | 1 |
| 21 | 334 | Washer, 3/8, Type A, Flat | 4 |
| 22 | 8754 | Locknut, 3/8-16 Hex | 2 |

6
G
E

6

G

E



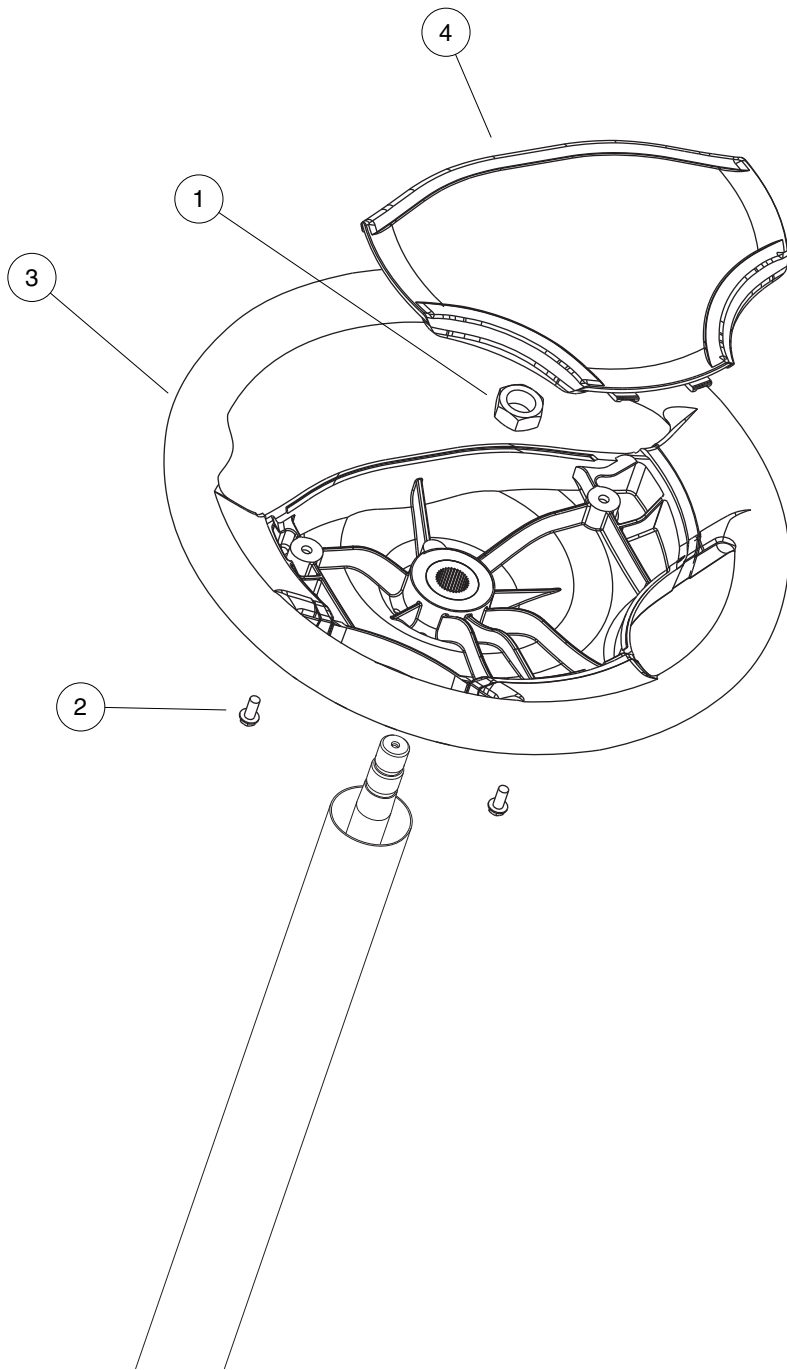
001217-001

INTERMEDIATE STEERING SHAFT (WANDA) – TURF/CA/ VILLAGER/TPORTER

| ITEM | PART NO. | DESCRIPTION | QTY |
|------|-----------|---|-----|
| | | 1 2 3 4 | |
| 1 | 103601601 | Shaft, Intermediate Steering (includes items 2 and 3) | 1 |
| 2 | 1017226 | Bolt, Hex-Head, 8mm X 1.25 - 30 | 3 |
| 3 | 7174 | Lockwasher, 5/16 Split | 3 |

6
G
E

6
G
E



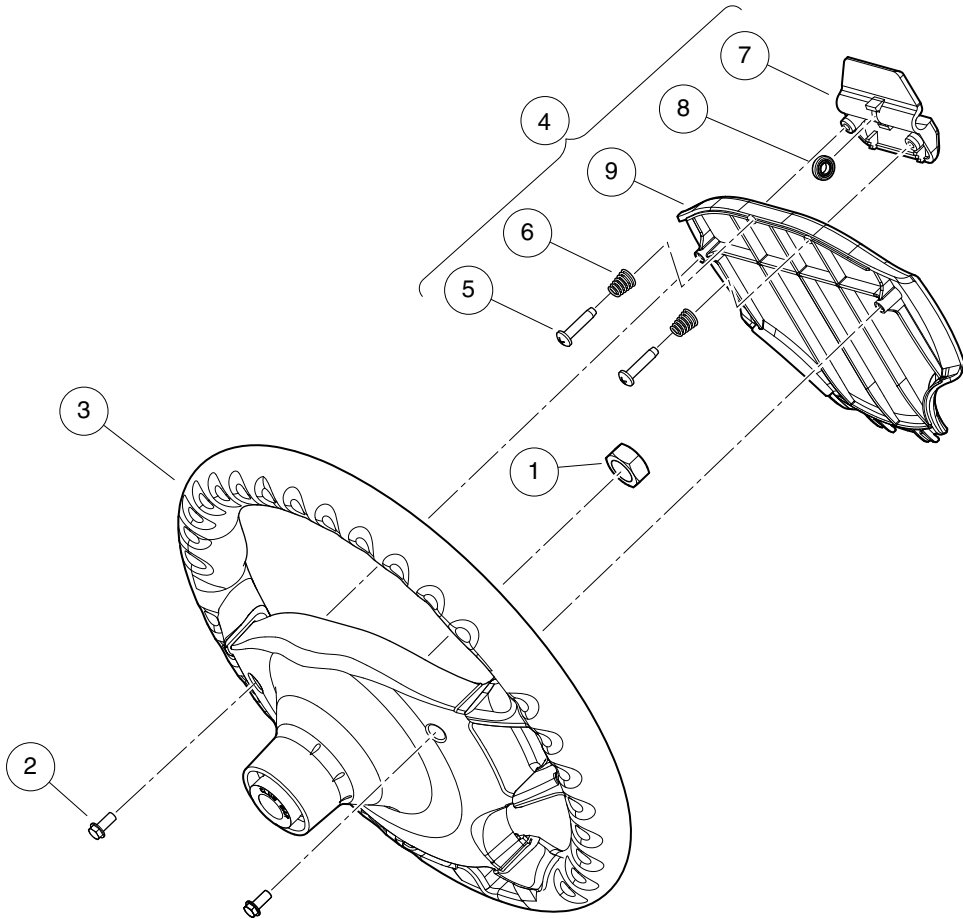
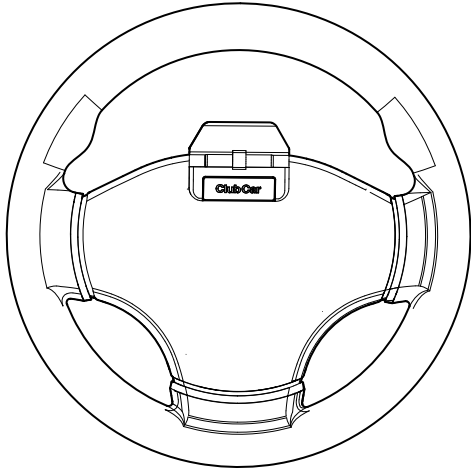
000246-007

STEERING WHEEL

| ITEM | PART NO. | DESCRIPTION | QTY |
|------|-----------|--|-----|
| | | 1 2 3 4 | |
| 1 | 1017273 | Nut, 5/8-18 Nylon Insert Jam | 1 |
| 2 | 101850301 | Screw, #12-16 X 0.50 Washer-Head Hi-Lo | 2 |
| 3 | 103724502 | Wheel, Steering, Splined | 1 |
| 4 | 103724602 | Cover, Steering Wheel, Generic | 1 |

6
G
E

6
G
E



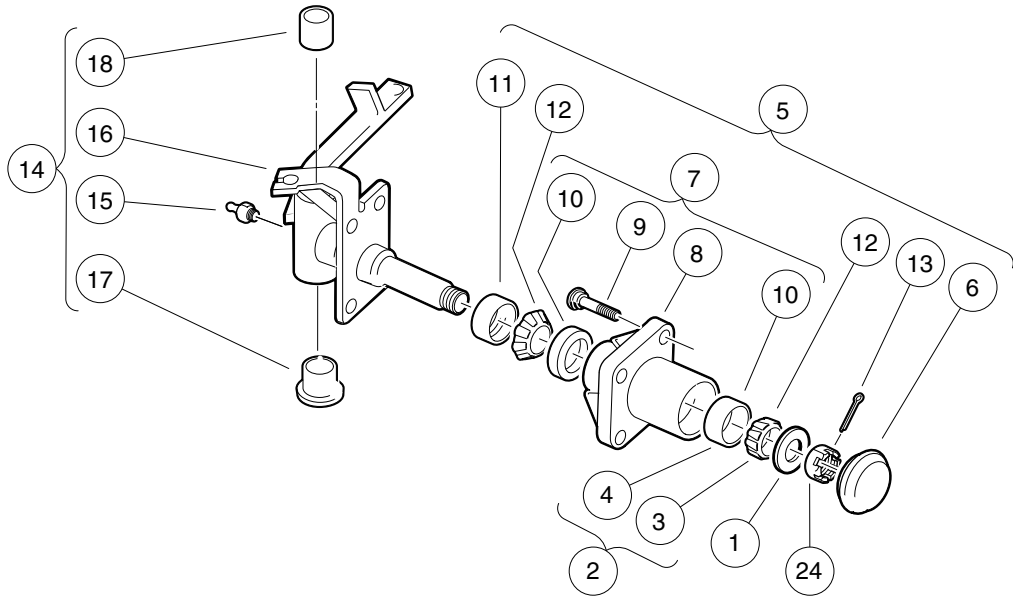
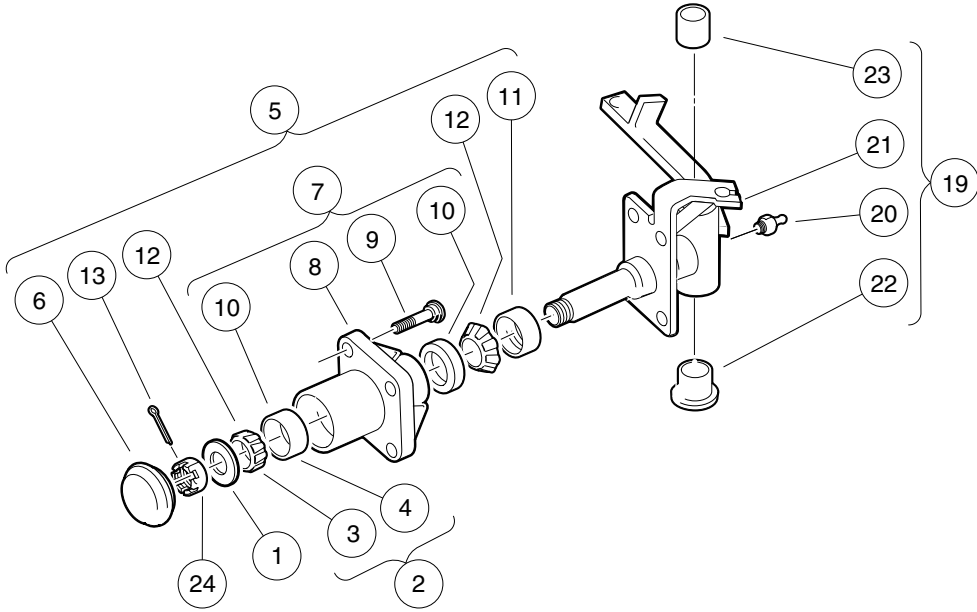
001504-001

STEERING WHEEL WITH CLIP

| ITEM | PART NO. | DESCRIPTION | QTY |
|------|-----------|---|-----|
| | | 1 2 3 4 | |
| 1 | 1017273 | Nut, 5/8-18 Nylon Insert Jam | 1 |
| 2 | 101850301 | Screw, #12-16 X 0.50 Washer-Head Hi-Lo | 2 |
| 3 | 103724502 | Wheel, Steering, Splined | 1 |
| 4 | 103724901 | Asm, Scorecard, Clip (includes items 5 through 9) | 1 |
| 5 | 1012565 | Screw, #12 Phillips Round Head | 2 |
| 6 | 1012566 | Tapered Compression Spring | 2 |
| 7 | 1016154 | Clip, Scorecard | 1 |
| 8 | 1016214 | Pencil Grip | 1 |
| 9 | 103724601 | Cover, Steering Wheel, Clip | 1 |

6
G
E

6
G
E



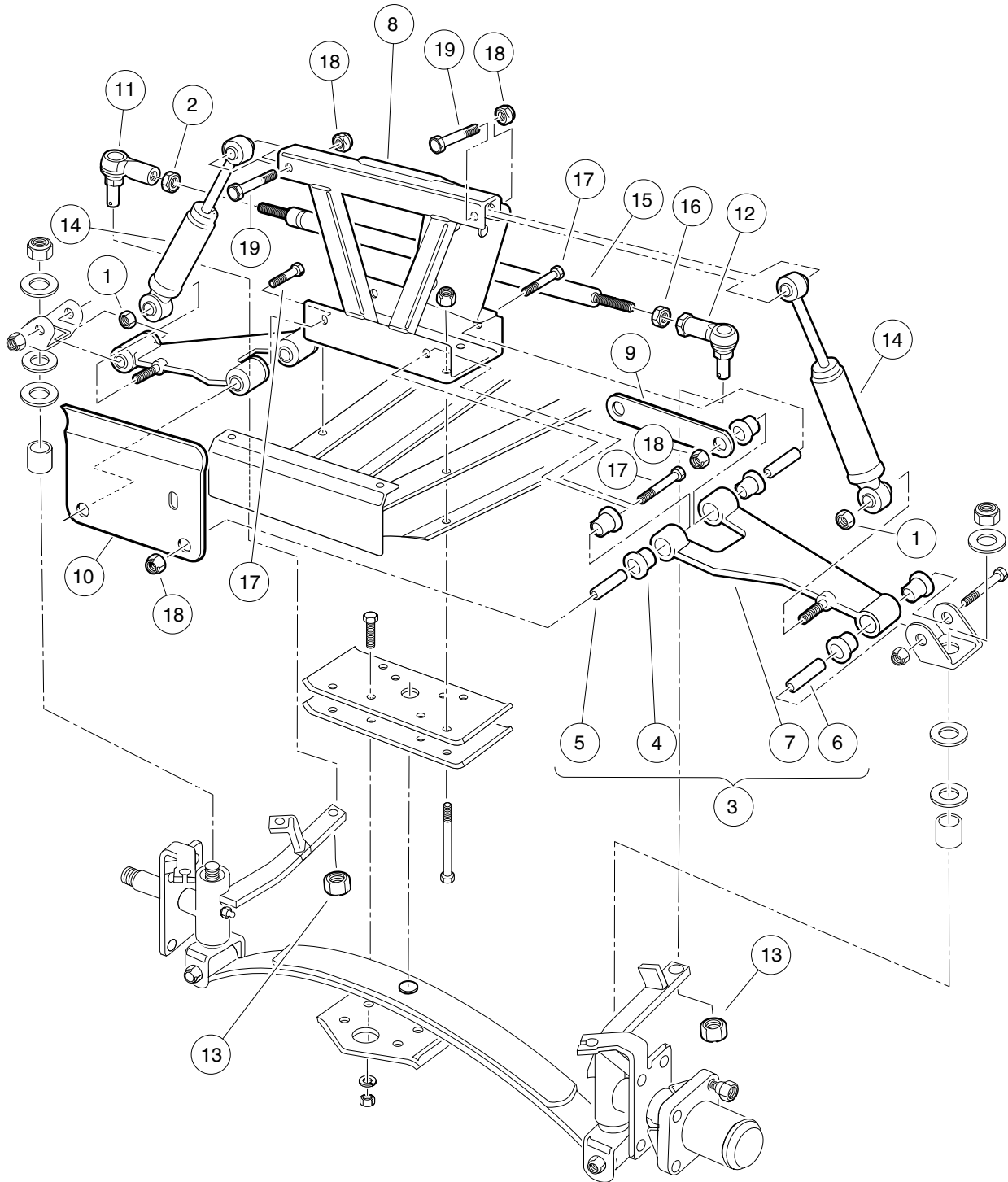
000310-002

FRONT SPINDLES AND HUBS – VEHICLES WITH FOUR-WHEEL BRAKES AND MAINTENANCE-FREE BALL JOINTS

| ITEM | PART NO. | DESCRIPTION | QTY |
|------|-----------|--|-----|
| | | 1 2 3 4 | |
| 1 | 1010005 | Washer, 3/4 Flat | 2 |
| 2 | 1011393 | Hub Bearing Package (includes items 3 and 4) | 4 |
| 3 | 7274 | Bearing, Front Hub Wheel | 1 |
| 4 | 7308 | Race, Front Hub Bearing | 1 |
| 5 | 1011892 | Hub Assembly (includes items 6 through 13) | 2 |
| 6 | 1011887 | Dust Cover | 1 |
| 7 | N/A | Hub (includes items 8 through 10) | 1 |
| 8 | N/A | Front Hub | 1 |
| 9 | 103477901 | Lug Stud, 1/2-20 Unf, 4037 | 4 |
| 10 | 7308 | Race, Front Hub Bearing | 2 |
| 11 | 1013135 | Seal, Double Lip | 1 |
| 12 | 7274 | Bearing, Front Hub Wheel | 2 |
| 13 | 7910 | Pin, 5/32 X 1.00 Cotter | 1 |
| 14 | 103717302 | Asm, Spindle, Lh, 4wb, Sp (includes items 15 through 18) | 1 |
| 15 | 1015597 | Fitting, 1/4-28 Thread-Forming Grease | 1 |
| 16 | N/A | Subasm, Spindle, Lh, 4wb | 1 |
| 17 | 7048 | Bushing, Flanged Bronze | 1 |
| 18 | 8067 | Bushing, Bronze Spindle | 1 |
| 19 | 103717402 | Asm, Spindle, Rh, 4wb, Sp (includes items 20 through 23) | 1 |
| 20 | 1015597 | Fitting, 1/4-28 Thread-Forming Grease | 1 |
| 21 | N/A | Subasm, Spindle, Rh, 4wb | 1 |
| 22 | 7048 | Bushing, Flanged Bronze | 1 |
| 23 | 8067 | Bushing, Bronze Spindle | 1 |
| 24 | 7840 | Nut, 3/4-16 Hex Slotted | 2 |

6
G
E

6
G
E



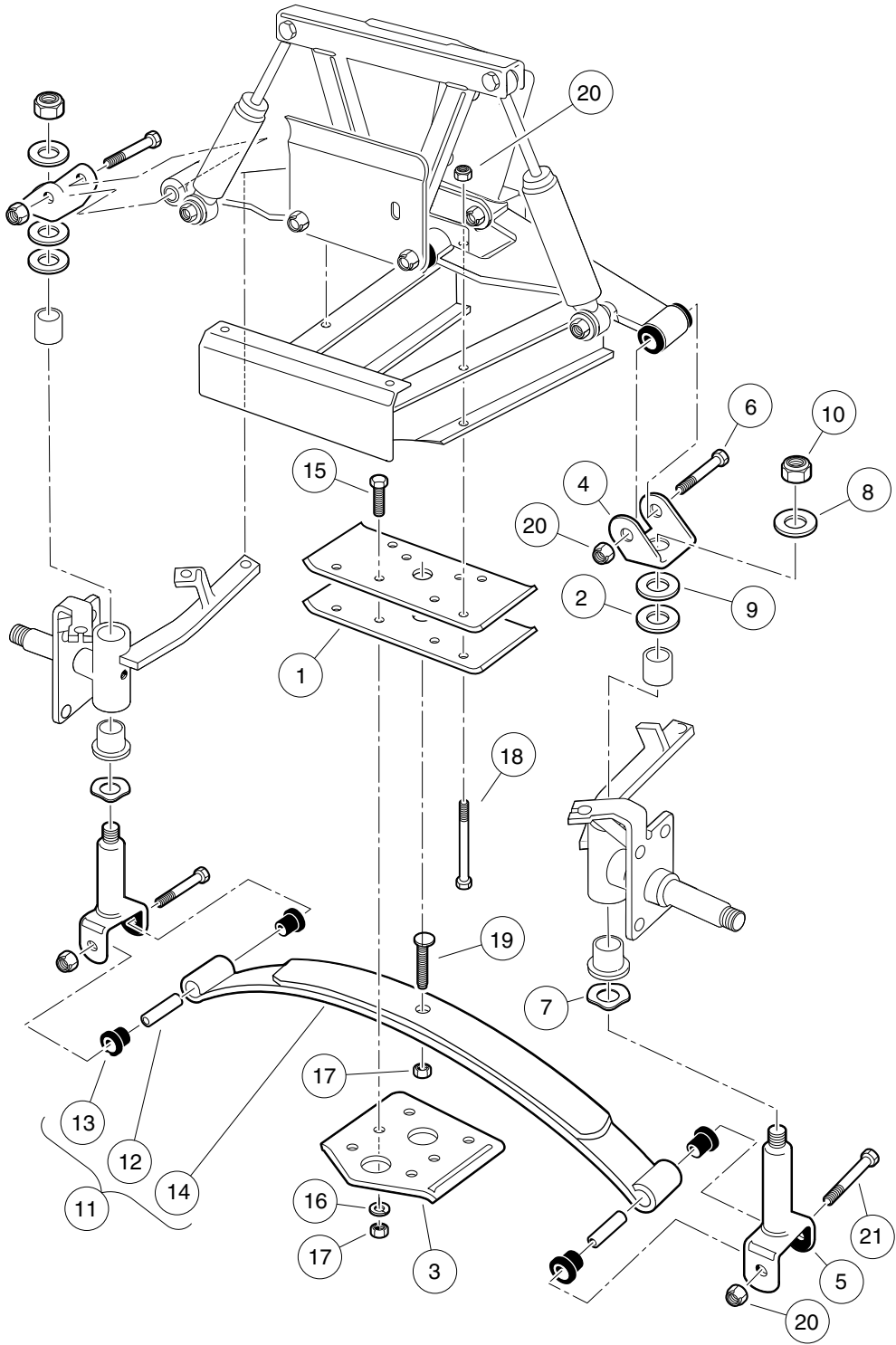
001265-001

FRONT SUSP., UPPER – VILL 6/8 & TRANSPORTER WITH MAINTENANCE-FREE BALL JOINTS

| ITEM | PART NO. | DESCRIPTION | QTY |
|------|-----------|--|-----|
| | | 1 2 3 4 | |
| 1 | 1010138 | Locknut, 3/8-16 Dimpled | 2 |
| 2 | 1013042 | Nut, 12mm Hex | 1 |
| 3 | 1016353 | Sub-Assembly, Delta A-Plate (includes items 4 through 7) | 2 |
| 4 | 1016346 | Bushing, Urethane | 6 |
| 5 | 1016349 | Sleeve, Delta Inner | 2 |
| 6 | 1016350 | Sleeve, Delta Outer | 1 |
| 7 | 1016351 | Delta A-Plate | 1 |
| 8 | 1016385 | Delta Shock and Gear Support Assembly | 1 |
| 9 | 1017266 | A-Plate Strap | 1 |
| 10 | 101955001 | Brake Cable Guide Bracket | 1 |
| 11 | 102022601 | End, Tie Rod M12 X 1.25 Rh | 1 |
| 12 | 102022602 | End, Tie Rod, M12 X 1.25, Lh | 1 |
| 13 | 102289201 | Nut - Hex Locking, M12 X 1.25 | 3 |
| 14 | 103351001 | Shock Absorber, Front, Common | 2 |
| 15 | 103354701 | Rod, Tie, Male Thd | 1 |
| 16 | 103653501 | Nut, Jam, M12-1.25, Lh | 1 |
| 17 | 2402 | Screw, 3/8-16 X 2.25 Hx Hd Cap | 4 |
| 18 | 8754 | Locknut, 3/8-16 Hex | 13 |
| 19 | 8861 | Bolt, 3/8-16 X 1.75 Hex | 2 |

6
G
E

6
G
E



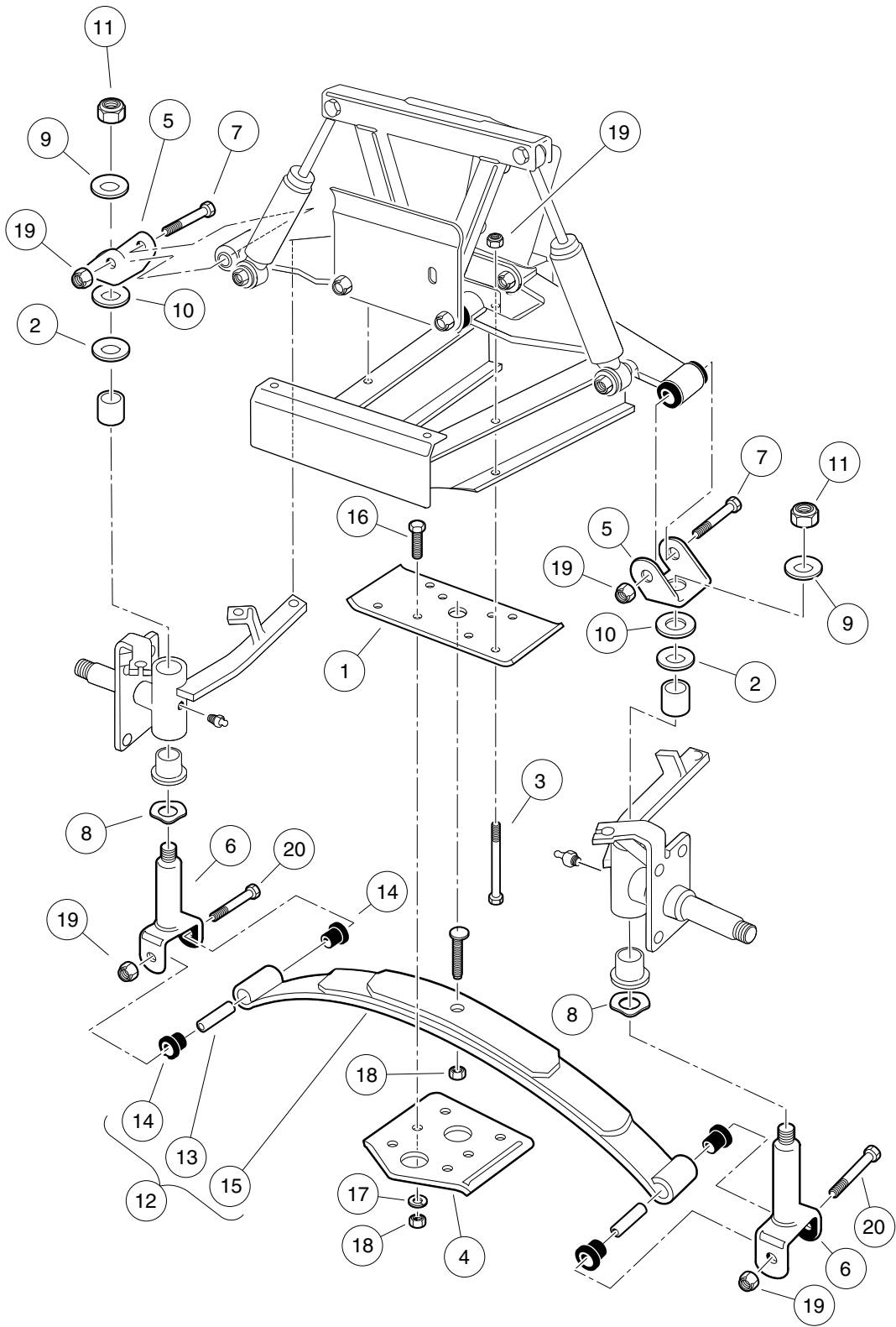
001266-001

FRONT SUSPENSION, LOWER – VILLAGER 6 WITH MAINTENANCE-FREE BALL JOINTS

| ITEM | PART NO. | DESCRIPTION | QTY |
|------|-----------|--|-----|
| | | 1 2 3 4 | |
| 1 | 1010124 | Plate, Spring Mount | 2 |
| 2 | 1010150 | Bearing, Thrust | 2 |
| 3 | 1014276 | Plate, Front Spring Retainer | 1 |
| 4 | 1016384 | Clevis, Delta Upper | 2 |
| 5 | 1016386 | King Pin Assembly | 2 |
| 6 | 1016387 | Screw, 3/8-16 X 2.75 Hx Hd Cap | 2 |
| 7 | 1016389 | Washer, 1.125 Od Wave | 2 |
| 8 | 102564002 | Washer-1/2 Conical, Yellow | 2 |
| 9 | 102684501 | Washer, M12 Hard Regular | 2 |
| 10 | 102766301 | Nut, 1/2-20, Center Lock | 2 |
| 11 | 103628801 | Spring Asm, Front, 2 Leaf (includes items 12 through 14) | 1 |
| 12 | 1012303 | Bushing, Steel | 2 |
| 13 | 1015583 | Bushing, Urethane | 4 |
| 14 | 103502701 | Spring, Front, 2 Leaf | 1 |
| 15 | 2402 | Screw, 3/8-16 X 2.25 Hx Hd Cap | 4 |
| 16 | 357 | Lockwasher, 3/8 Split | 4 |
| 17 | 706 | Nut, Hex 3/8-16 | 5 |
| 18 | 7270 | Bolt, 3/8-16 X 4.50 Hex Head | 4 |
| 19 | 8745 | Screw, Eccentric Adjustment | 1 |
| 20 | 8754 | Locknut, 3/8-16 Hex | 8 |
| 21 | 8755 | Screw, 3/8-16 X 3.375 Hex Cap | 2 |

6
G
E

6
G
E



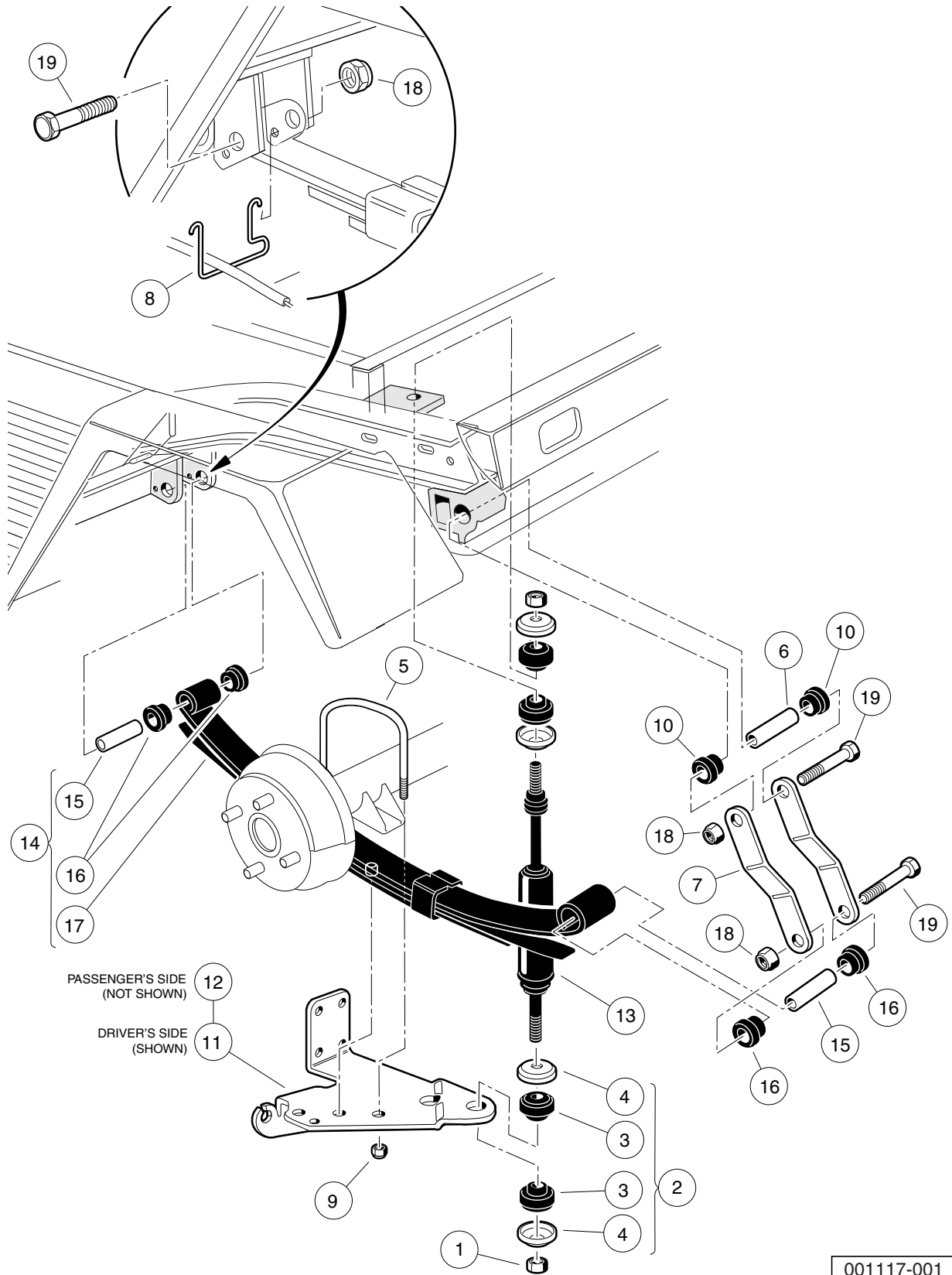
000313-005

FRONT SUSPENSION, LOWER – VILLAGER 8 WITH MAINTENANCE-FREE BALL JOINTS

| ITEM | PART NO. | DESCRIPTION | QTY |
|------|-----------|--|-----|
| | | 1 2 3 4 | |
| 1 | 1010124 | Plate, Spring Mount | 1 |
| 2 | 1010150 | Bearing, Thrust | 2 |
| 3 | 1010200 | Bolt, 3/8-16 X 4.25 Hex Head | 4 |
| 4 | 1014276 | Plate, Front Spring Retainer | 1 |
| 5 | 1016384 | Clevis, Delta Upper | 2 |
| 6 | 1016386 | King Pin Assembly | 2 |
| 7 | 1016387 | Screw, 3/8-16 X 2.75 Hx Hd Cap | 2 |
| 8 | 1016389 | Washer, 1.125 Od Wave | 2 |
| 9 | 102564002 | Washer-1/2 Conical, Yellow | 2 |
| 10 | 102684501 | Washer, M12 Hard Regular | 2 |
| 11 | 102766301 | Nut, 1/2-20, Center Lock | 2 |
| 12 | 103628901 | Spring Asm, Front, 3 Leaf (includes items 13 through 15) | 1 |
| 13 | 1012303 | Bushing, Steel | 2 |
| 14 | 1015583 | Bushing, Urethane | 4 |
| 15 | 103502801 | Spring, Front, 3 Leaf | 1 |
| 16 | 2402 | Screw, 3/8-16 X 2.25 Hx Hd Cap | 4 |
| 17 | 357 | Lockwasher, 3/8 Split | 4 |
| 18 | 706 | Nut, Hex 3/8-16 | 5 |
| 19 | 8754 | Locknut, 3/8-16 Hex | 8 |
| 20 | 8755 | Screw, 3/8-16 X 3.375 Hex Cap | 2 |

6
G
E

6
G
E



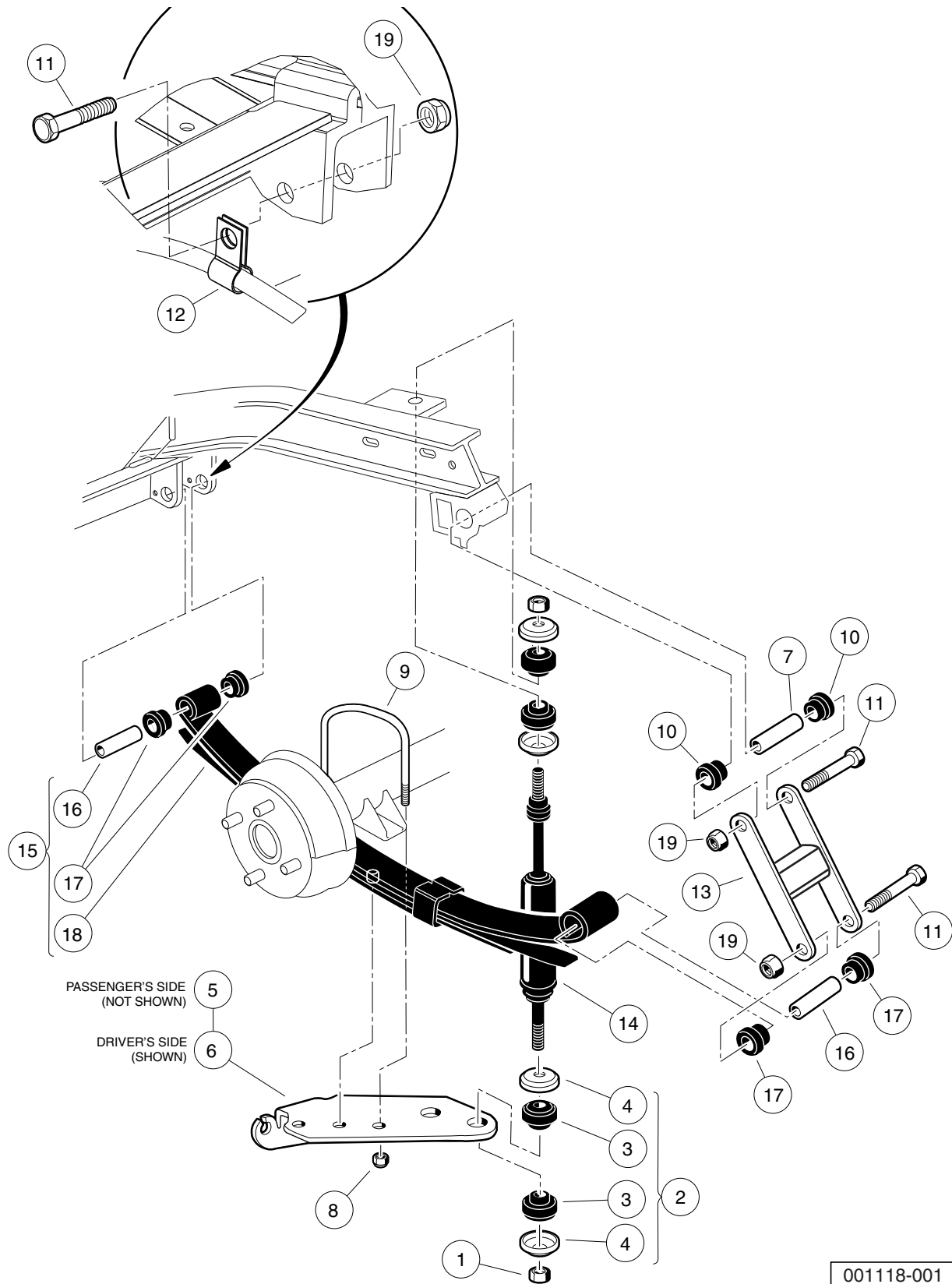
001117-001

REAR SUSPENSION – TURF/CA 2, 2 PLUS, 6, AND TRANSPORTATION GASOLINE

| ITEM | PART NO. | DESCRIPTION | QTY |
|---|-------------|--|-----|
| | | 1 2 3 4 | |
| 1 | 1010145 | Nut, 3/8-24 Hex | 4 |
| 2 | 1011415 | Kit, Shock Absorber Cushion (includes items 3 and 4) | 4 |
| 3 | N/A | Retainer, Shock Absorber Cushion | 2 |
| 4 | 47579096001 | Isolator, Shock Damper | 2 |
| 5 | 1012180 | U-Bolt | 2 |
| 6 | 1012303 | Bushing, Steel | 2 |
| 7 | 1012304 | Shackle, Rear Spring | 4 |
| 8 | 1013207 | Hanger, Brake Cable | 2 |
| 9 | 1014555 | Locknut, 7/16-14 Nylon Hex | 4 |
| 10 | 101558302 | Bushing, Urethane, Soft | 4 |
| 11 | 101926501 | Bracket, Left-Hand | 1 |
| 12 | 101929401 | Bracket, Right | 1 |
| 13 | 103350901 | Shock Absorber, Rear, Utility | 2 |
| 14 | 103657301 | Asm-rear 3leaf Spring, 600 Lb (includes items 15 through 17) | 2 |
| 15 | 1012303 | Bushing, Steel | 2 |
| 16 | 101558302 | Bushing, Urethane, Soft | 4 |
| 17 | 102871801 | Rear Spring, 3leaf, 600 Lb/in | 1 |
| 18 | 8754 | Locknut, 3/8-16 Hex | 6 |
| 19 | 8755 | Screw, 3/8-16 X 3.375 Hex Cap | 6 |
| <p>Note: Only the driver-side rear suspension is shown. Parts for the passenger-side rear suspension are identical except for the leaf spring/shock mounting plate.</p> | | | |

6
G
E

6
G
E



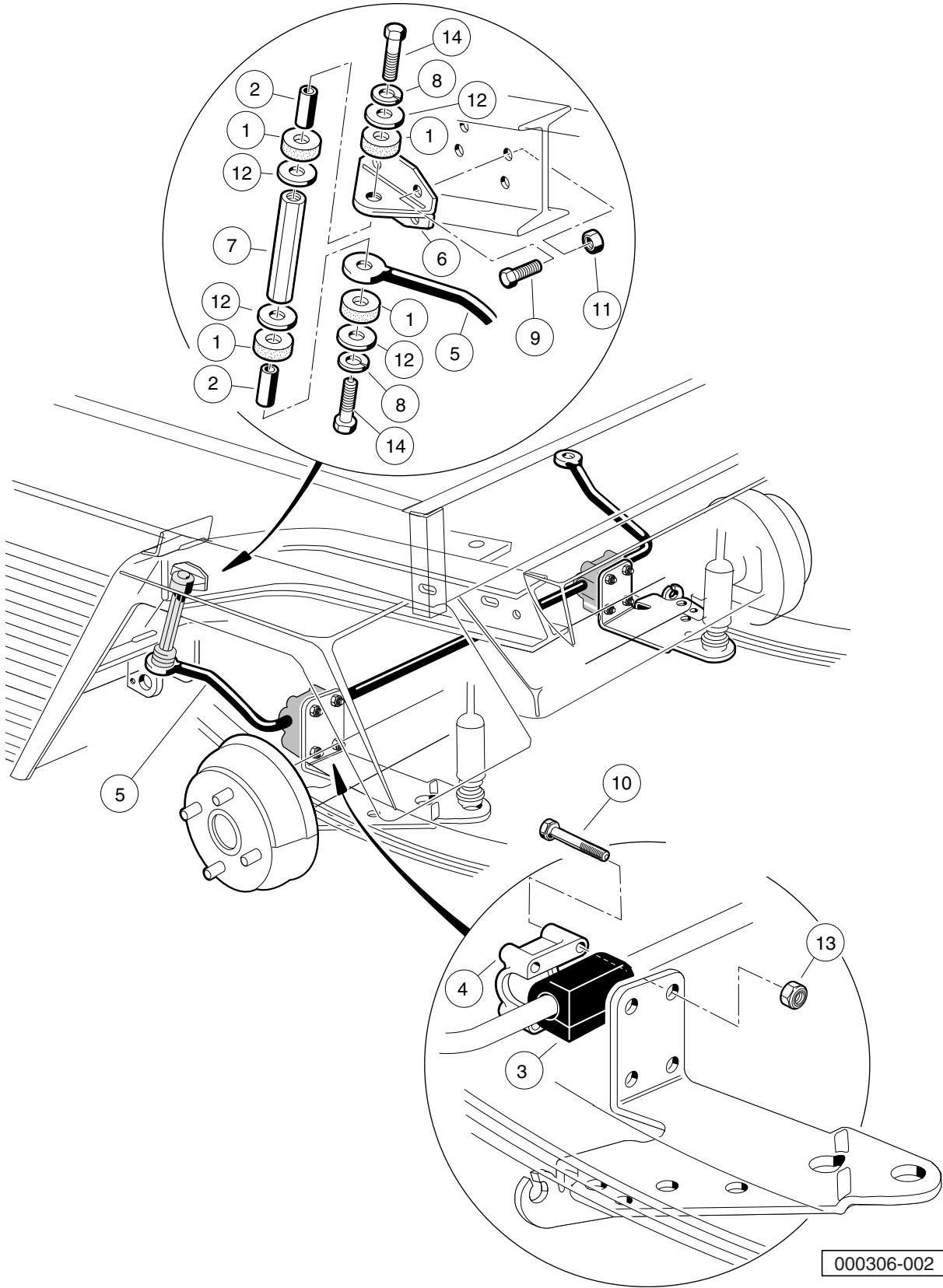
001118-001

REAR SUSPENSION – TURF/CA 2, 6, AND TRANSPORTATION IQ PLUS ELECTRIC

6
G
E

| ITEM | PART NO. | DESCRIPTION | QTY |
|---|-------------|--|-----|
| | | 1 2 3 4 | |
| 1 | 1010145 | Nut, 3/8-24 Hex | 4 |
| 2 | 1011415 | Kit, Shock Absorber Cushion (includes items 3 and 4) | 4 |
| 3 | N/A | Retainer, Shock Absorber Cushion | 2 |
| 4 | 47579096001 | Isolator, Shock Damper | 2 |
| 5 | 1012181 | Bracket, Shock Mounting, Right (Passenger) | 1 |
| 6 | 1012182 | Bracket, Shock Mounting, Left (Driver) | 1 |
| 7 | 1012303 | Bushing, Steel | 2 |
| 8 | 1014555 | Locknut, 7/16-14 Nylon Hex | 4 |
| 9 | 1014902 | U-Bolt | 2 |
| 10 | 101558302 | Bushing, Urethane, Soft | 4 |
| 11 | 102066201 | Screw, 3/8-16 X 3.50 Hex Cap | 6 |
| 12 | 102891101 | Clamp, Cable, Brake, Sym | 2 |
| 13 | 102917101 | Weldment, Shackle | 2 |
| 14 | 103351101 | Shock, Absorber, Utility | 2 |
| 15 | 103657301 | Asm-rear 3leaf Spring, 600 Lb (includes items 16 through 18) | 2 |
| 16 | 1012303 | Bushing, Steel | 2 |
| 17 | 101558302 | Bushing, Urethane, Soft | 4 |
| 18 | 102871801 | Rear Spring, 3leaf, 600 Lb/in | 1 |
| 19 | 8754 | Locknut, 3/8-16 Hex | 6 |
| <p>Note: Only the driver-side rear suspension is shown. Parts for the passenger-side rear suspension are identical except for the leaf spring/shock mounting plate.</p> | | | |

6
G
E



000306-002

STABILIZER BAR – TURF/CA 2, 2 PLUS, 6, AND TRANSPORTATION GAS

| ITEM | PART NO. | DESCRIPTION | QTY |
|------|----------|---|-----|
| | | 1 2 3 4 | |
| 1 | 1015453 | Compression Mount | 8 |
| 2 | 1015457 | Spacer, 0.720" | 4 |
| 3 | 1015613 | Bushing, Stabilizer Bar | 2 |
| 4 | 1015614 | Support, Bushing | 2 |
| 5 | 1015760 | Stabilizer Bar | 1 |
| 6 | 1016813 | Mounting Bracket, Stabilizer Bar | 2 |
| 7 | 1016814 | Link, Stabilizer Bar | 2 |
| 8 | 357 | Lockwasher, 3/8 Split | 4 |
| 9 | 7173 | Screw, 5/16-18 X 0.75, Hex-Head Cap | 8 |
| 10 | 7311 | Screw, 1/4-20 X 2.00 Hex-Head Cap | 8 |
| 11 | 7473 | Locknut, 5/16-18 Nylon Insert | 8 |
| 12 | 808 | Washer, 3/8 Type B Flat | 8 |
| 13 | 8233 | Locknut, 1/4-20, Nylon Insert | 8 |
| 14 | 8861 | Bolt, 3/8-16 X 1.75 Hex | 4 |

6
G
E

6

G

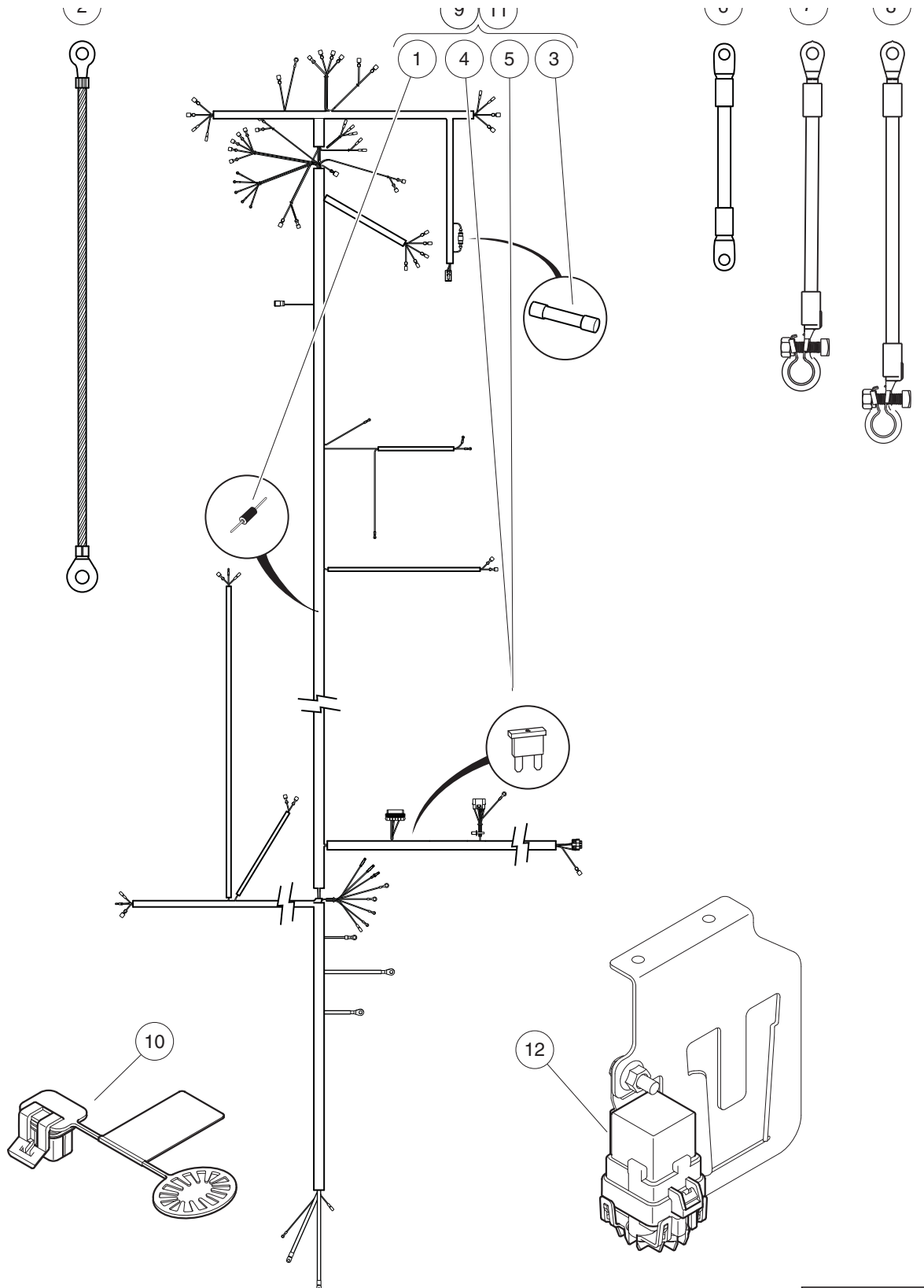
E

ELECTRICAL SYSTEM – EFI GASOLINE VEHICLES

7

G

7
G



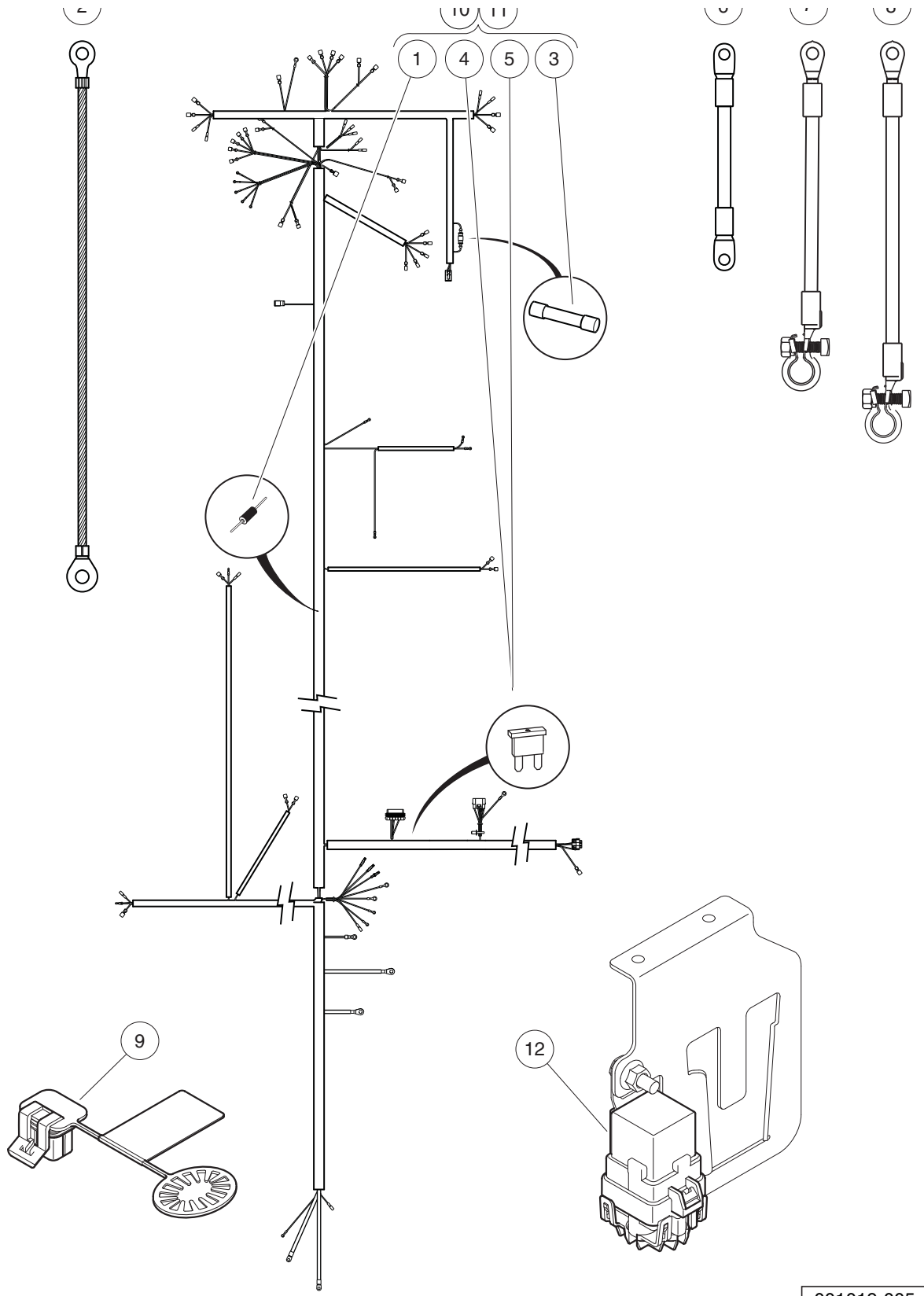
001019-004

WIRING, FUSES, AND DIODES, KEY AND PEDAL START – VILLAGER 6

| ITEM | PART NO. | DESCRIPTION | QTY |
|------|-------------|--|-----|
| | | 1 2 3 4 | |
| 1 | 1014789 | Diode, General Purpose, 3.0-Amp | 1 |
| 2 | 1015332 | Wire, Ground, #10, Uninsulated | 1 |
| 3 | 103924801 | Fuse, Glass, 2-Amp | 1 |
| 4 | 105081501 | Fuse, ATM, 5-Amp | 1 |
| 5 | 105081601 | Fuse, ATM, 10-Amp | 1 |
| 6 | 105161701 | Wire, 4-Ga, Green, Starter/Generator | 1 |
| 7 | 105256701 | Wire Assy, 4ga, Battery, (top-post) B-, Gas | 1 |
| 8 | 105256801 | Wire Assy, 4ga, Battery, (top-post) B+, Gas | 1 |
| 9 | 47609905001 | Harness, Gas, Main, V6, Ks | 1 |
| 10 | 47611208001 | Cap, Diagnostic Port | 1 |
| 11 | 47612930001 | Harness, Main, Gas, V6, Ps | 1 |
| 12 | 47623281001 | Relay, Mini 630 Spdt,40a/30a | 1 |
| | | Note: For ECU, see Engine Ignition Components section. | |

7
G

7
G



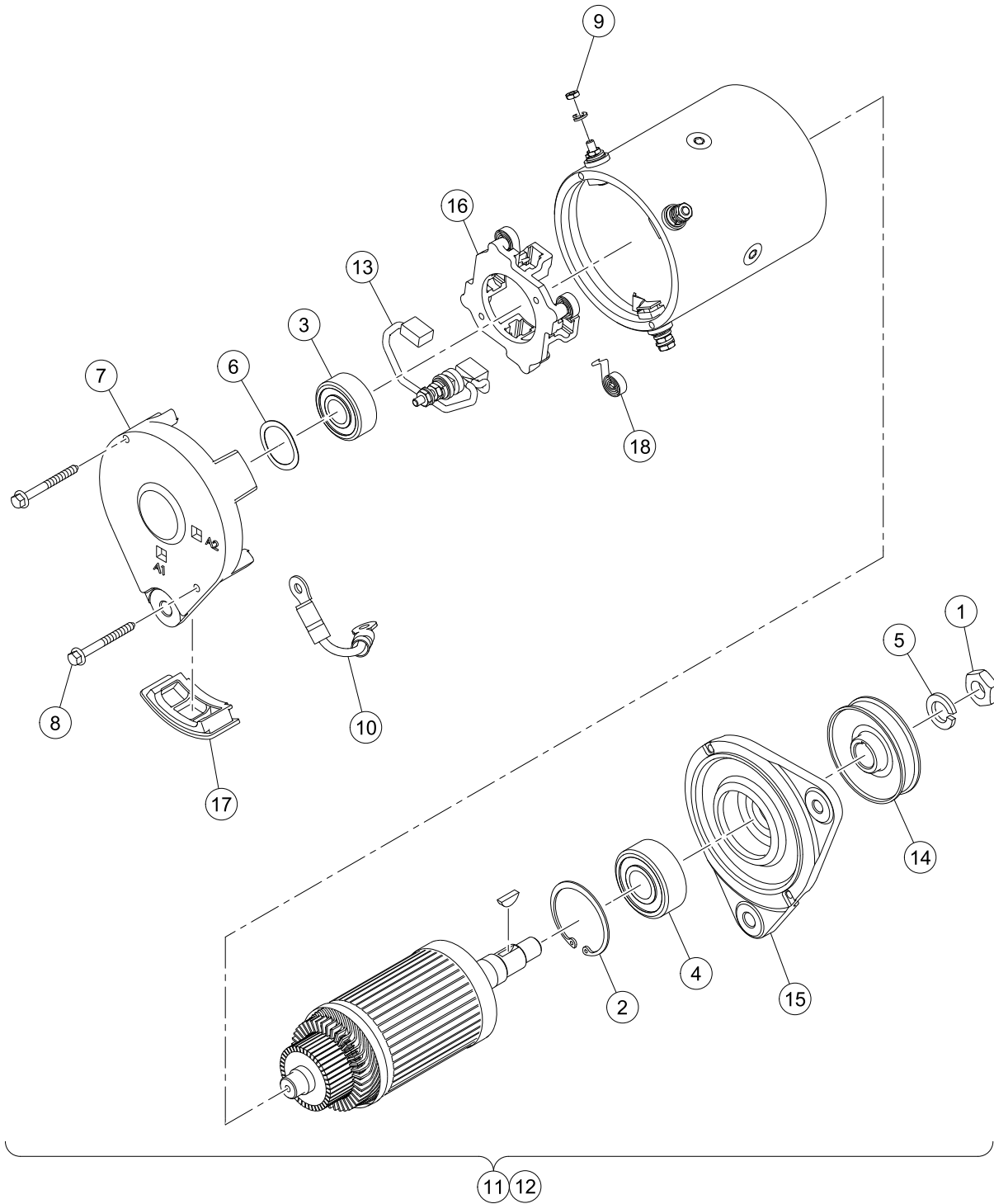
001019-005

WIRING, FUSES, AND DIODES, KEY AND PEDAL START – VILLAGER 8

| ITEM | PART NO. | DESCRIPTION | QTY |
|------|-------------|--|-----|
| | | 1 2 3 4 | |
| 1 | 1014789 | Diode, General Purpose, 3.0-Amp | 1 |
| 2 | 1015332 | Wire, Ground, #10, Uninsulated | 1 |
| 3 | 103924801 | Fuse, Glass, 2-Amp | 1 |
| 4 | 105081501 | Fuse, ATM, 5-Amp | 1 |
| 5 | 105081601 | Fuse, ATM, 10-Amp | 1 |
| 6 | 105161701 | Wire, 4-Ga, Green, Starter/Generator | 1 |
| 7 | 105256701 | Wire Assy, 4ga, Battery, (top-post) B-, Gas | 1 |
| 8 | 105256801 | Wire Assy, 4ga, Battery, (top-post) B+, Gas | 1 |
| 9 | 47611208001 | Cap, Diagnostic Port | 1 |
| 10 | 47612546001 | Harness, Main, Gas, V8, Ks | 1 |
| 11 | 47612931001 | Harness, Main, Gas, V8, Ps | 1 |
| 12 | 47623281001 | Relay, Mini 630 Spdt,40a/30a | 1 |
| | | Note: For ECU, see Engine Ignition Components section. | |

7
G

7
G

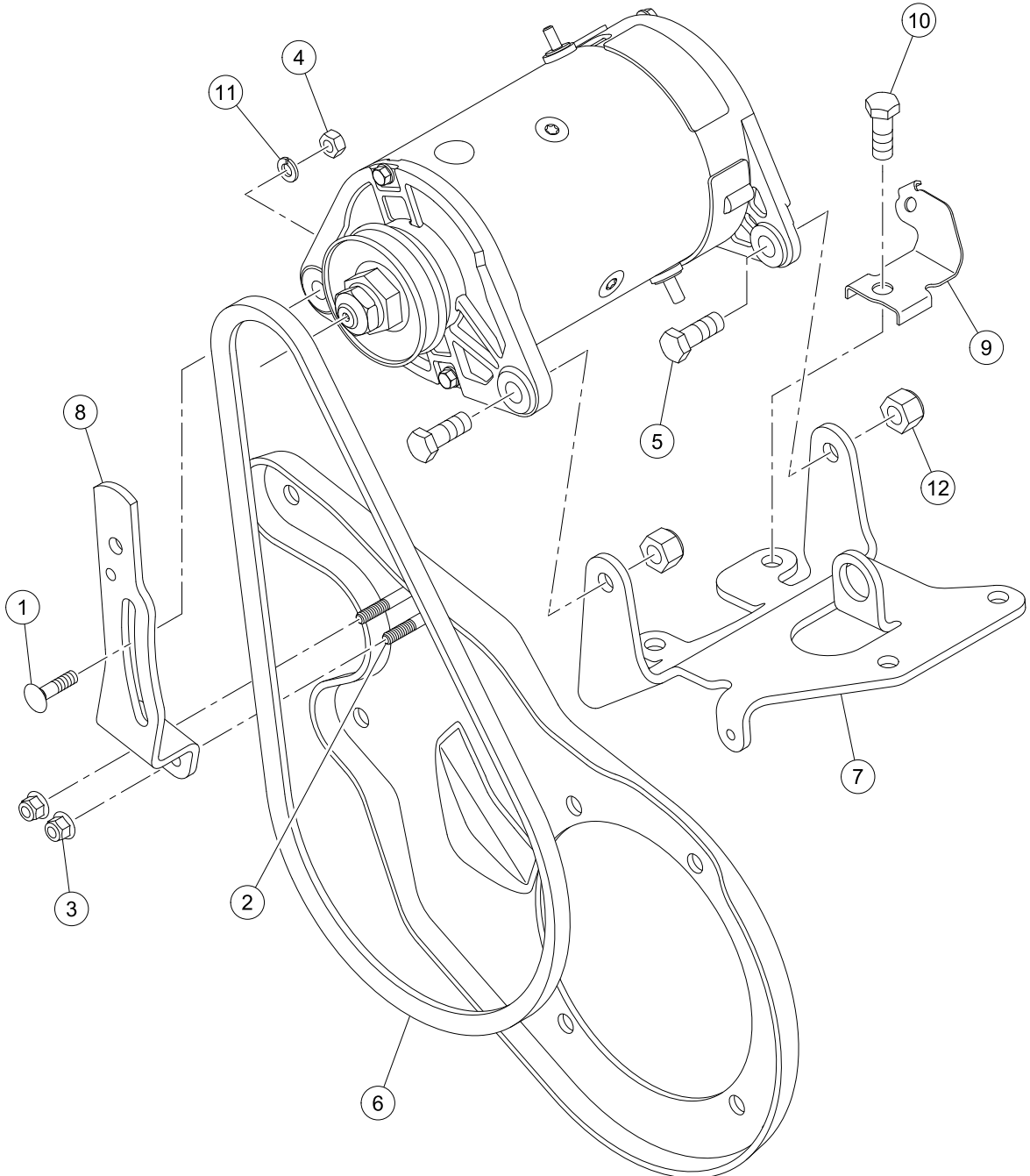


G-130199-000001

STARTER/GENERATOR, KEY AND PEDAL START – EFI

| ITEM | PART NO. | DESCRIPTION | QTY |
|------|-------------|--|-----|
| | | 1 2 3 4 | |
| 1 | 102838701 | Nut, Hex, M14x2, S/G | 1 |
| 2 | 102838801 | Retainer, Front, S/G | 1 |
| 3 | 102838901 | Bearing, Ball, Rear, S-g | 1 |
| 4 | 102839001 | Bearing, Ball, Front, S-g | 1 |
| 5 | 102839301 | Washer, Lock M14x2, S-g | 1 |
| 6 | 102841101 | Washer, Wave, S-g | 1 |
| 7 | 103347601 | Head, Comm End, S-g | 1 |
| 8 | 103347701 | Set, Fast, Ceh Deh, S-g | 1 |
| 9 | 103347801 | Set, Term Hardware, S/G | 1 |
| 10 | 105161701 | Wire, 4-Ga, Green, Starter/Generator | 1 |
| 11 | 47559475001 | Starter Generator, Ps | 1 |
| 12 | 47559475002 | Starter Generator, Ks | 1 |
| 13 | 47583000001 | Set, Brush Term, S-g | 1 |
| 14 | 47583790001 | Pulley, Starter-generator | 1 |
| 15 | 47583791001 | Head, Drive End, S-g | 1 |
| 16 | 47583794001 | Kit, Brush And Brush Holder | 1 |
| 17 | 47584178001 | Kit, Cover, Brush Insp, S-g | 1 |
| 18 | 47584179001 | Kit, Spring Brush, S-g | 1 |

7
G

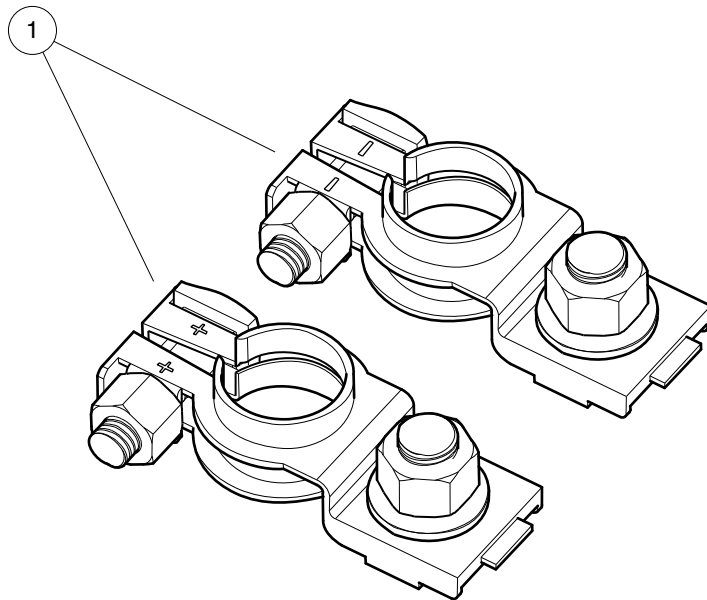


G-130199-00002

STARTER/GENERATOR MOUNTING – ECH440

| ITEM | PART NO. | DESCRIPTION | QTY |
|------|-------------|--|-----|
| | | 1 2 3 4 | |
| 1 | 1015932 | Bolt, Carriage, 5/16-18 | 1 |
| 2 | 102541401 | Bolt-m6x1.0x20 Hex Flhd Blk-I | 2 |
| 3 | 102621501 | Nut, Flange, M6 X 1.0, Nylon | 2 |
| 4 | 1242 | Nut, 5/16-18 Hex | 1 |
| 5 | 1624 | Screw, 3/8-16 X 1.50, Hex-Head Cap | 2 |
| 6 | 47539338002 | Belt, Sg, Ech440, #5a | 1 |
| 7 | 47611868001 | Bracket, Mounting, S/g | 1 |
| 8 | 47611869001 | Bracket, Tensioner, S/g | 1 |
| 9 | 47611870001 | Bracket, Mtg, Gov Cable Clip | 1 |
| 10 | 47617345001 | Screw, M8-1.25x20, Hex Hd Flg | 4 |
| 11 | 7174 | Lockwasher, 5/16 Split | 1 |
| 12 | 8754 | Locknut, 3/8-16 Hex | 2 |

7
G



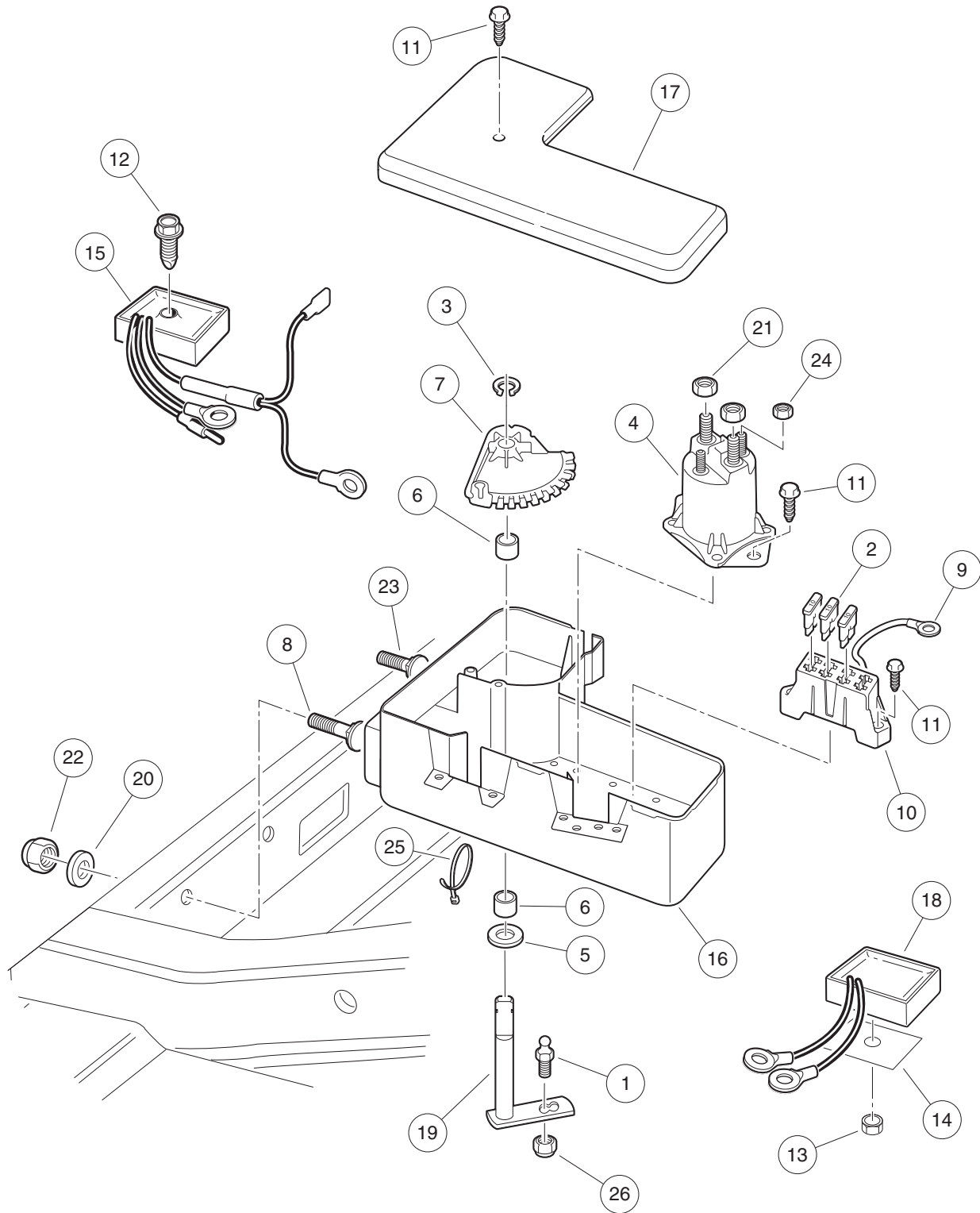
001066-001

KIT, BATTERY TERMINAL ADAPTER (SIDE-POST TO TOP-POST) – EFI

| ITEM | PART NO. | DESCRIPTION | QTY |
|------|-----------|--|-----|
| 1 | 105266401 | 1 2 3 4 Kit, Term Adaptor, G26 Batt | A/R |

7
G

7
G



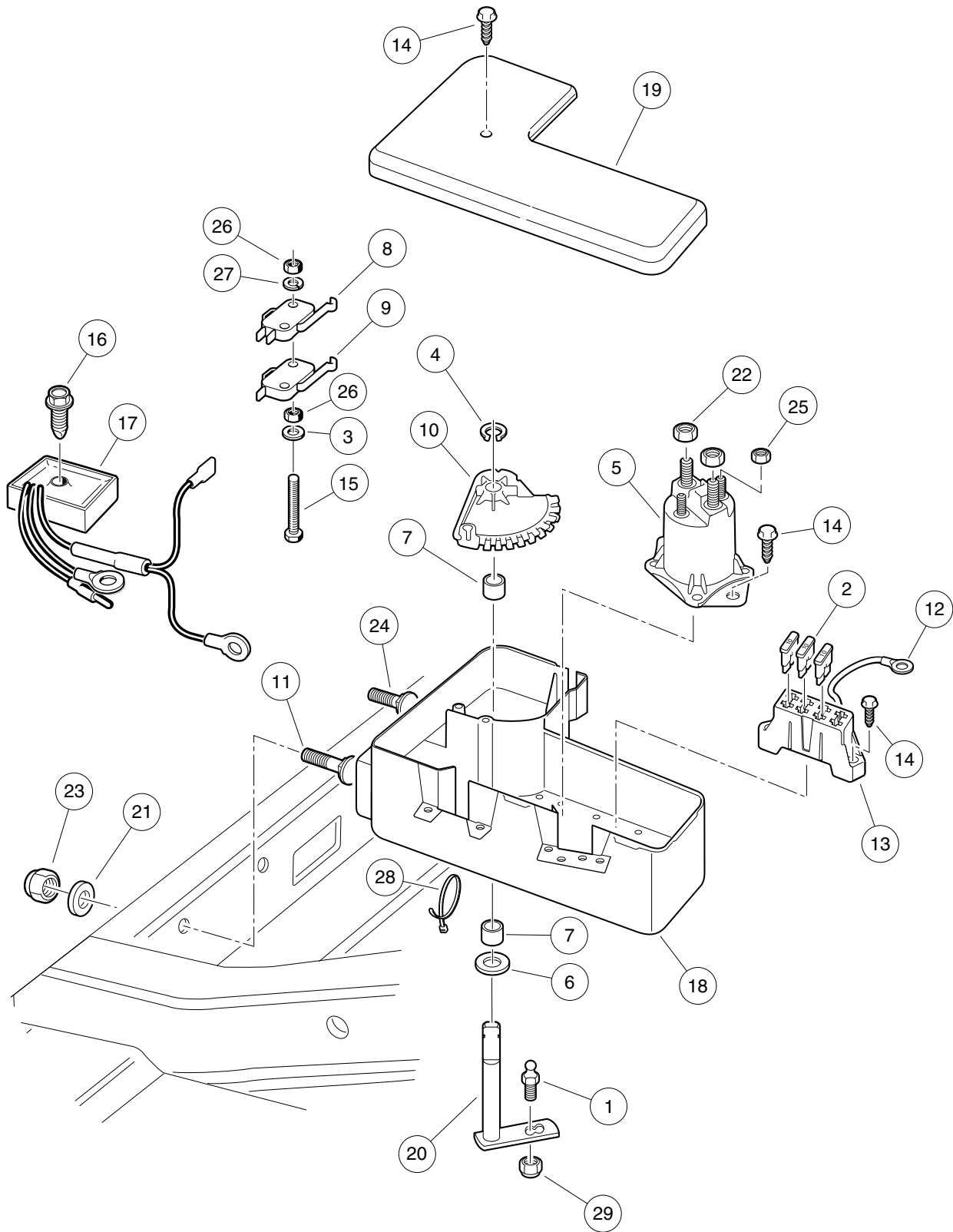
001014-005

ELECTRICAL COMPONENT BOX, KEY-START

| ITEM | PART NO. | DESCRIPTION | QTY |
|------|-----------|--|-----|
| | | 1 2 3 4 | |
| 1 | 1010954 | Stud, Ball, 1/4-28 X 0.560 | 1 |
| 2 | 1012295 | Fuse, 10-Amp | 3 |
| 3 | 1013589 | Ring, Retaining, 0.338" Internal | 1 |
| 4 | 1013609 | Solenoid, 12-Volt | 1 |
| 5 | 1014065 | Washer, Flat, 0.38" ID, Delrin | 1 |
| 6 | 1014145 | Bushing, Secondary Weight, Split | 2 |
| 7 | 1015373 | Cam, Electric Box | 1 |
| 8 | 1015405 | Bolt, Carriage, 5/16-18 X 2.0 | 1 |
| 9 | 1015737 | Wire Assy, #10 Red | 1 |
| 10 | 1015741 | Fuse Block | 1 |
| 11 | 1015752 | Screw, #12-16 X 0.625, Hi-Lo | 5 |
| 12 | 101856102 | Screw, 1/4-15 X 1.50, Hi-lo, Hex | 1 |
| 13 | 101963401 | Locknut, 5/16-18 Hex Flange | 1 |
| 14 | 102269701 | Thermal Pad | 1 |
| 15 | 102711201 | Voltage Regulator | 1 |
| 16 | 105000301 | Box, Component, Electrical | 1 |
| 17 | 105000401 | Cover, Box, Component, Elec | 1 |
| 18 | 105037201 | Diode, Charging | 1 |
| 19 | 105037401 | Weldment, Bellcrank, Comp Box | 1 |
| 20 | 1241 | Washer, 5/16 Type A Flat | 2 |
| 21 | 1242 | Nut, 5/16-18 Hex | 2 |
| 22 | 7473 | Locknut, 5/16-18 Nylon Insert | 2 |
| 23 | 7818 | Bolt, Carriage, 5/16-18 X 1.5 | 1 |
| 24 | 7893 | Nut, #10-32 Hex | 2 |
| 25 | 8639 | Tie Wrap, 11" Nylon | 6 |
| 26 | 8717 | Locknut, Nylon Insert, 1/4-28 | 1 |

7
G

7
G

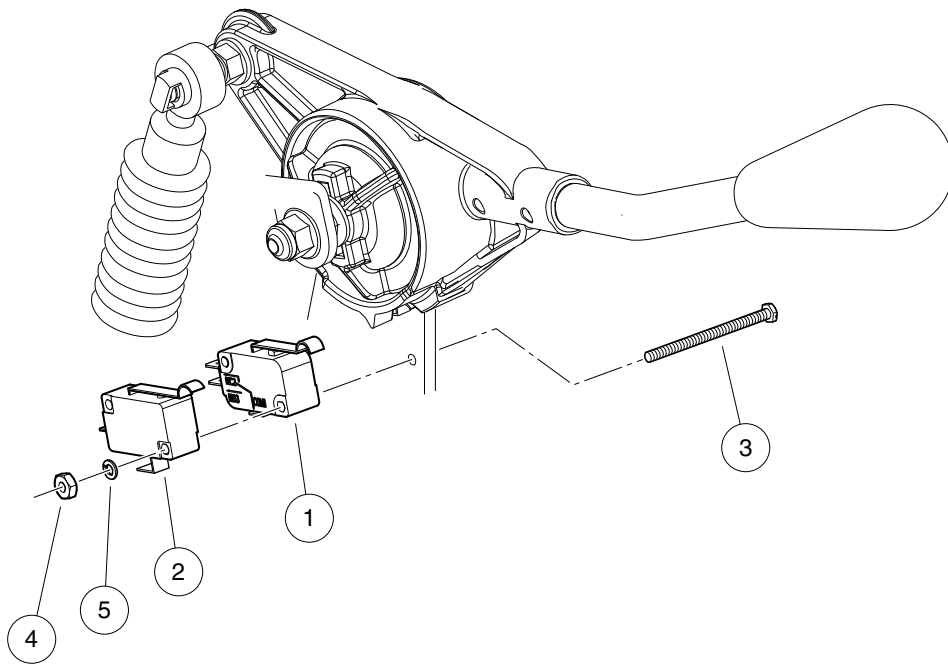


001014-001

ELECTRICAL COMPONENT BOX, PEDAL-START

| ITEM | PART NO. | DESCRIPTION | QTY |
|------|-----------|--|-----|
| | | 1 2 3 4 | |
| 1 | 1010954 | Stud, Ball, 1/4-28 X 0.560 | 1 |
| 2 | 1012295 | Fuse, 10-Amp | 3 |
| 3 | 1012431 | Washer, #4 Flat | 2 |
| 4 | 1013589 | Ring, Retaining, 0.338" Internal | 1 |
| 5 | 1013609 | Solenoid, 12-Volt | 1 |
| 6 | 1014065 | Washer, Flat, 0.38" ID, Delrin | 1 |
| 7 | 1014145 | Bushing, Secondary Weight, Split | 2 |
| 8 | 1014807 | Switch, Limit | 1 |
| 9 | 1014808 | Switch, Limit | 1 |
| 10 | 1015373 | Cam, Electric Box | 1 |
| 11 | 1015405 | Bolt, Carriage, 5/16-18 X 2.0 | 1 |
| 12 | 1015737 | Wire Assy, #10 Red | 1 |
| 13 | 1015741 | Fuse Block | 1 |
| 14 | 1015752 | Screw, #12-16 X 0.625, Hi-Lo | 5 |
| 15 | 1015878 | Screw, #4-40 Hex Head Machine | 2 |
| 16 | 101856102 | Screw, 1/4-15 X 1.50, Hi-lo, Hex | 1 |
| 17 | 102711201 | Voltage Regulator | 1 |
| 18 | 105000301 | Box, Component, Electrical | 1 |
| 19 | 105000401 | Cover, Box, Component, Elec | 1 |
| 20 | 105037401 | Weldment, Bellcrank, Comp Box | 1 |
| 21 | 1241 | Washer, 5/16 Type A Flat | 2 |
| 22 | 1242 | Nut, 5/16-18 Hex | 2 |
| 23 | 7473 | Locknut, 5/16-18 Nylon Insert | 2 |
| 24 | 7818 | Bolt, Carriage, 5/16-18 X 1.5 | 1 |
| 25 | 7893 | Nut, #10-32 Hex | 2 |
| 26 | 8057 | Nut, #4-40 Hex Machine | 4 |
| 27 | 8058 | Lockwasher, #4 Split | 2 |
| 28 | 8639 | Tie Wrap, 11" Nylon | 6 |
| 29 | 8717 | Locknut, Nylon Insert, 1/4-28 | 1 |

7
G

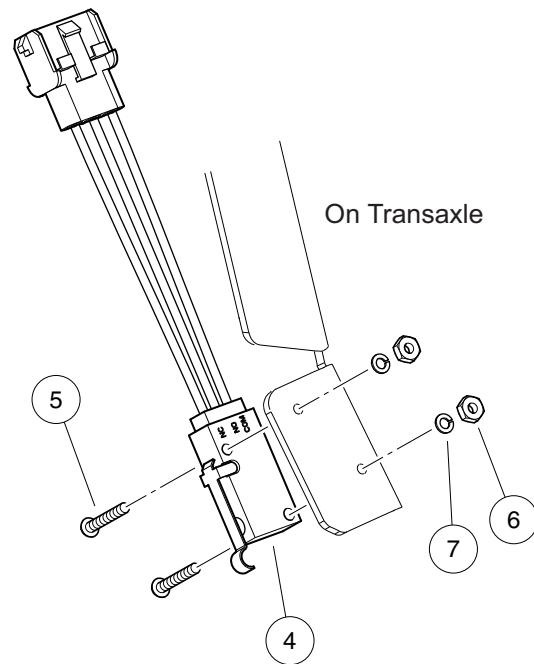
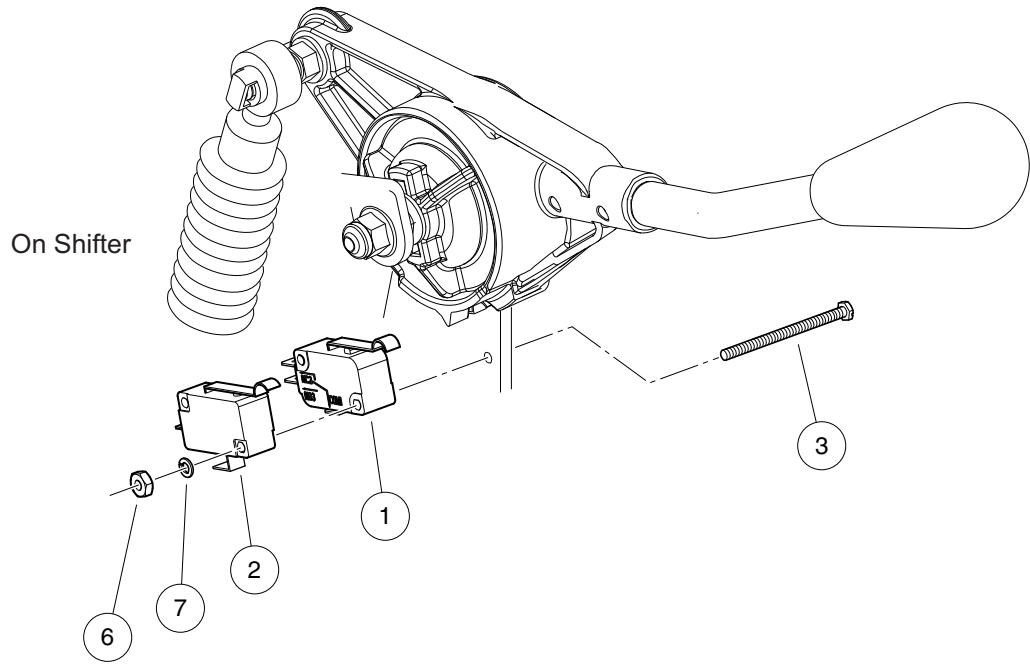


001010-002

FORWARD/REVERSE SHIFTER SWITCHES, KEY-START – EFI, VILLAGER 6, 8, 850, 850SE

| ITEM | PART NO. | DESCRIPTION | QTY |
|------|----------|-------------------------------------|-----|
| | | 1 2 3 4 | |
| 1 | 1014807 | Switch, Limit | 1 |
| 2 | 1014808 | Switch, Limit | 1 |
| 3 | 1015878 | Screw, #4-40 Hex Head Machine | 2 |
| 4 | 8057 | Nut, #4-40 Hex Machine | 2 |
| 5 | 8058 | Lockwasher, #4 Split | 2 |

7
G

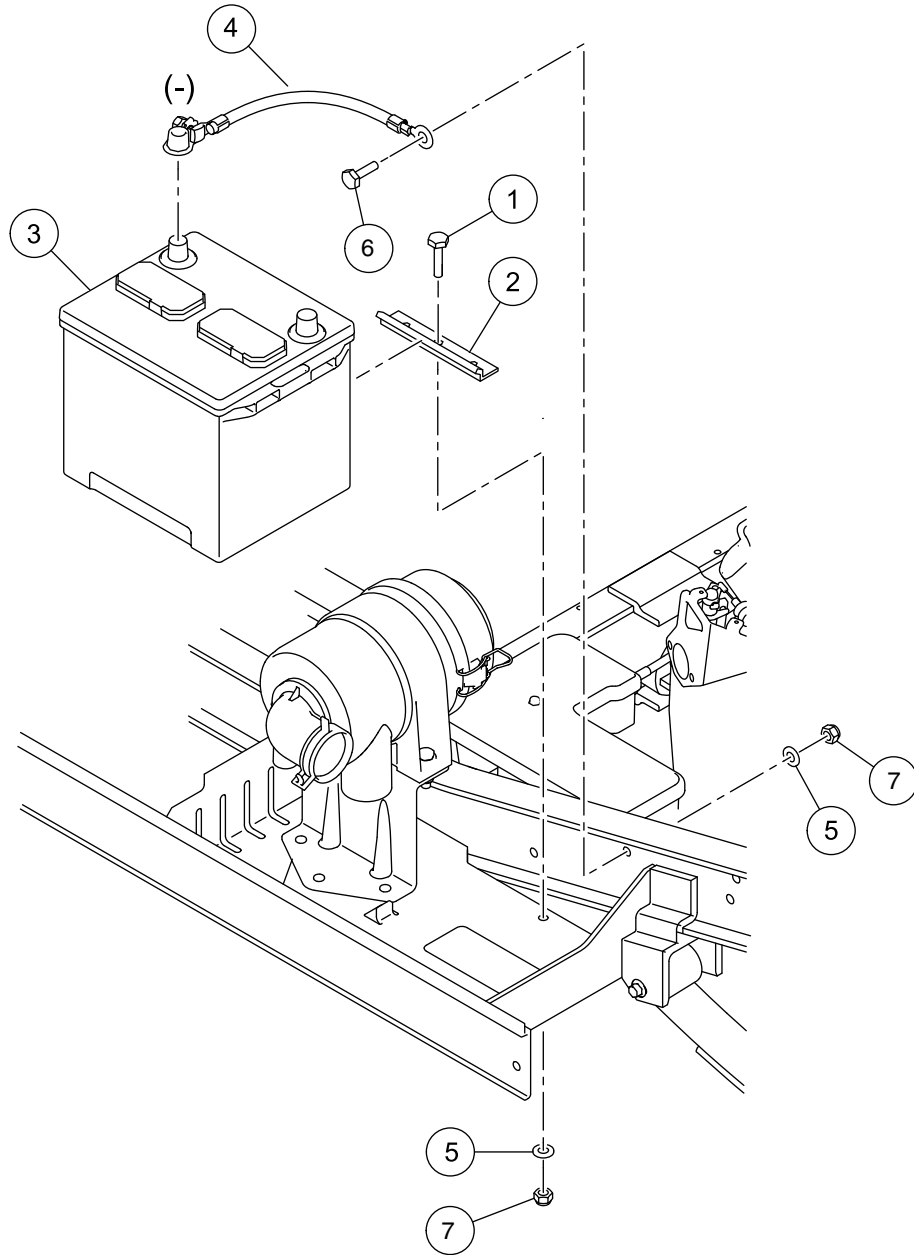


001010-001

FORWARD/REVERSE SHIFTER SWITCHES, PEDAL-START – EFI, VILLAGER 6, 8, 850, 850SE

| ITEM | PART NO. | DESCRIPTION | QTY |
|------|-----------|---|-----|
| | | 1 2 3 4 | |
| 1 | 1014807 | Switch, Limit | 1 |
| 2 | 1014808 | Switch, Limit | 1 |
| 3 | 1015878 | Screw, #4-40 Hex Head Machine | 2 |
| 4 | 105102601 | Switch, Limit, Sealed, with 3-Wire Lead | 1 |
| 5 | 8056 | Screw, #4-40 X 0.75 Round-Head Machine | 2 |
| 6 | 8057 | Nut, #4-40 Hex Machine | 4 |
| 7 | 8058 | Lockwasher, #4 Split | 4 |

7
G



000250-001

TOP-POST BATTERY – GASOLINE UTILITY VEHICLES

| ITEM | PART NO. | DESCRIPTION | QTY |
|------|-----------|---|-----|
| | | 1 2 3 4 | |
| 1 | 1010934 | Screw, 5/16-18 X 1.00 Hex Cap | 1 |
| 2 | 101898001 | Clamp, Battery | 1 |
| 3 | 105237301 | Battery, Start, 12v, Type 26 | 1 |
| 4 | 105256701 | Wire Assy, 4ga, Battery, (top-post) B-, Gas | 1 |
| 5 | 1241 | Washer, 5/16 Type A Flat | 2 |
| 6 | 7173 | Screw, 5/16-18 X 0.75, Hex-Head Cap | 1 |
| 7 | 7473 | Locknut, 5/16-18 Nylon Insert | 2 |

7

G

7

G

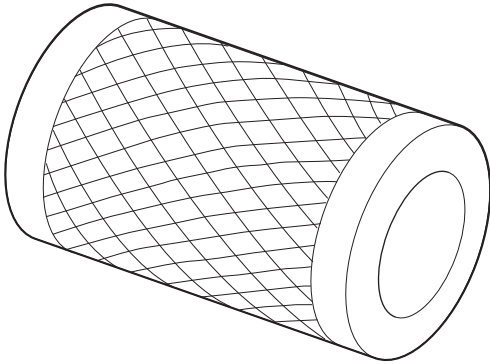
ENGINE (KOHLER ECH440)

8

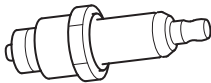
G

8

G



1



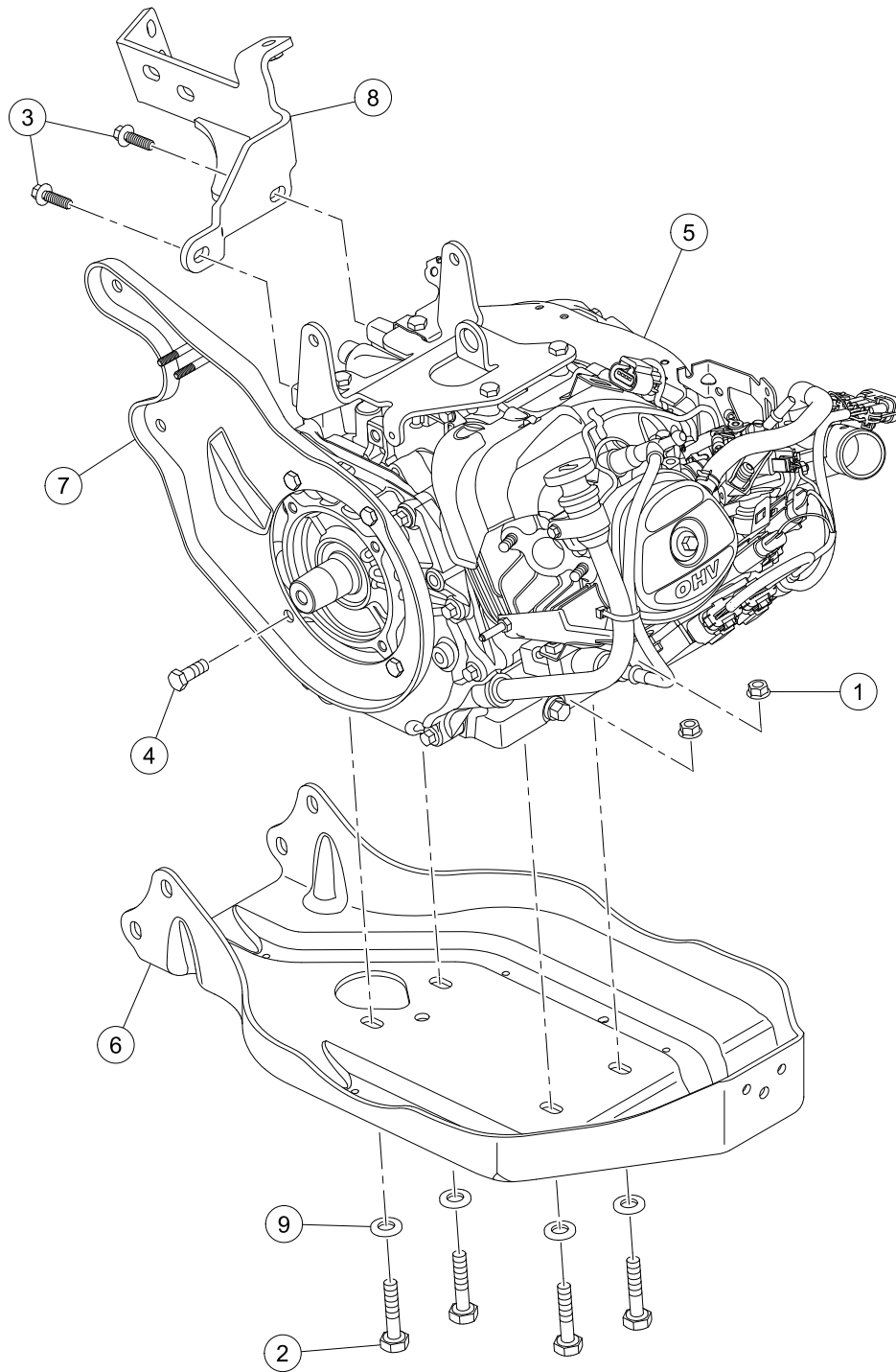
2

000992-003

TUNE-UP PARTS

| ITEM | PART NO. | DESCRIPTION | QTY |
|------|-------------|-------------------------------------|-----|
| 1 | 102558201 | 1 2 3 4 Air Filter, 4 Inch | 1 |
| 2 | 47640281001 | Plug, Spark, Kohler | 1 |

8
G



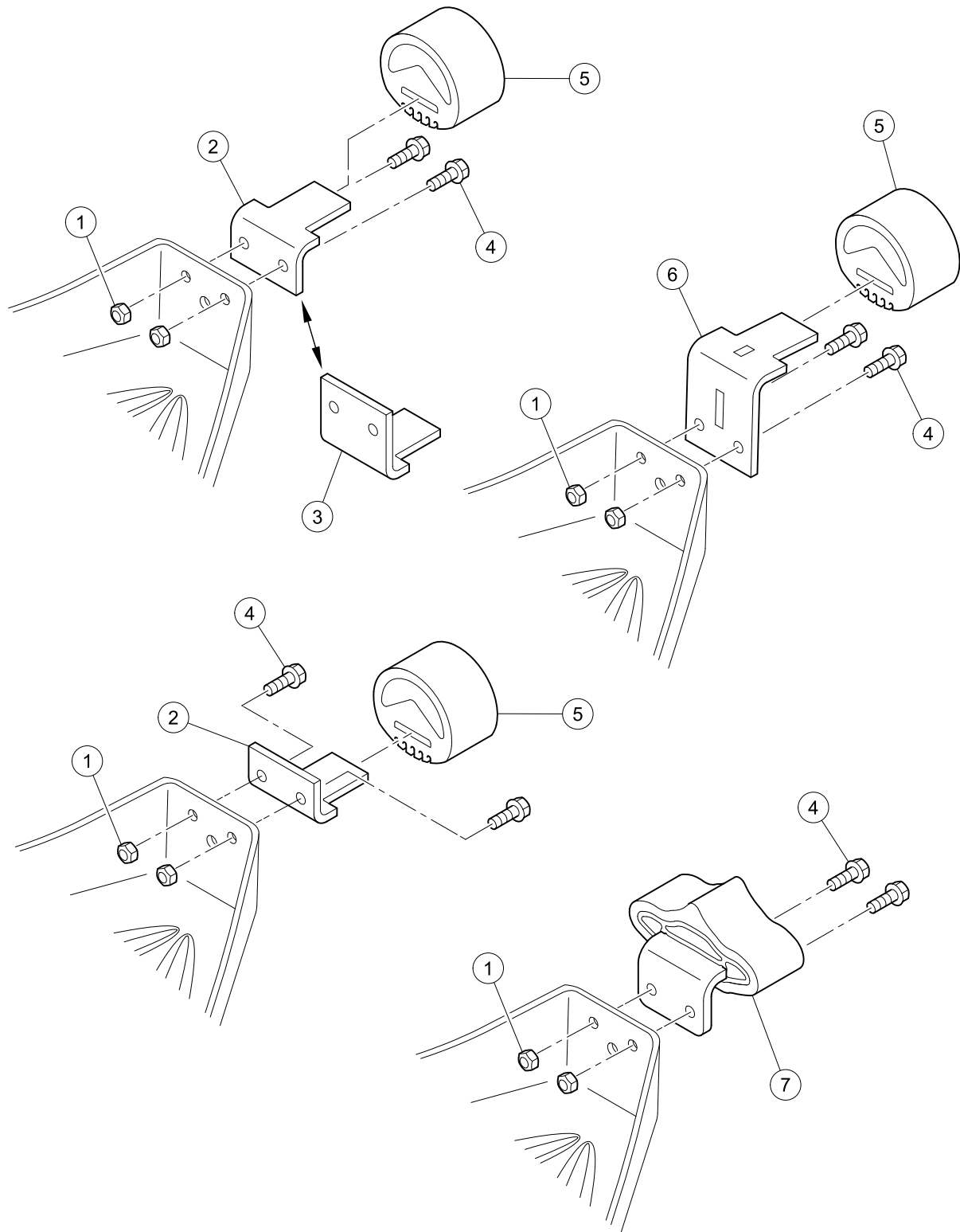
G-110199-000002

ENGINE AND ENGINE MOUNTING

| ITEM | PART NO. | DESCRIPTION | QTY |
|------|-------------|--|-----|
| | | 1 2 3 4 | |
| 1 | 102617201 | Nut, Flanged, M10 X 1.5, Mechanically Deformed | 4 |
| 2 | 102732401 | Bolt, M10 X 45, Zn-Ni (Black) | 4 |
| 3 | 103262201 | Bolt Flg Blk, M8 X 25, Loctite | 2 |
| 4 | 103508101 | Bolt, 3/8-16 X .75 Lock Patch | 4 |
| 5 | 47598099001 | Engine, Gas, Ech440 | 1 |
| 6 | 47611483001 | Plate, Mtg, Engine/axle, Pan | 1 |
| 7 | 47611484001 | Plate, Mtg, Engine/axle, Cvt | 1 |
| 8 | 47611648001 | Weldment, Mtg, Exhaust | 1 |
| 9 | 96741046 | Washer, M10, Hard | 4 |

8

G



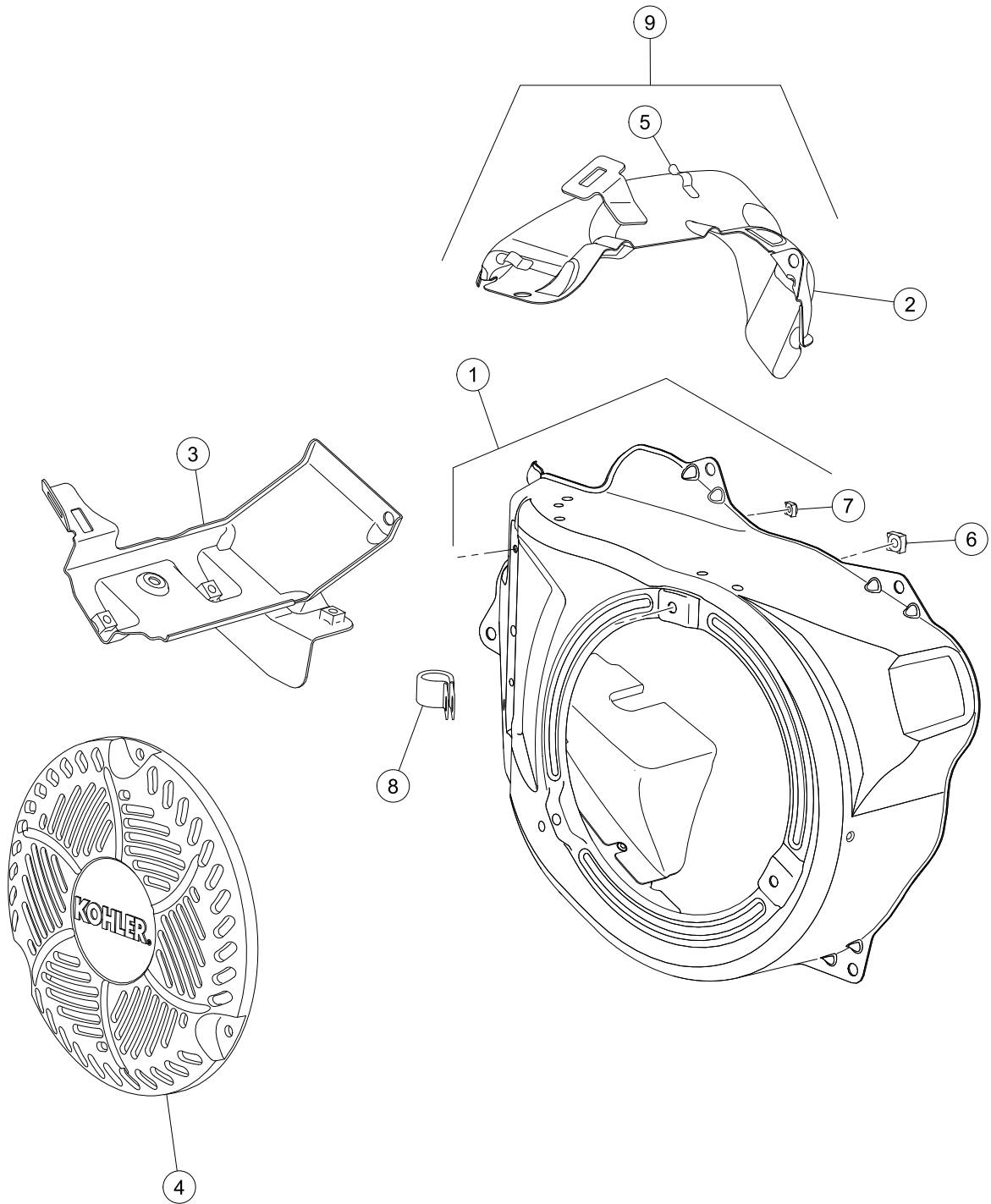
G-010299-000001

ENGINE PAN AND SNUBBER MOUNTING

| ITEM | PART NO. | DESCRIPTION | QTY |
|--|-------------|--|-----|
| | | 1 2 3 4 | |
| 1 | 1013924 | Nut, 5/16-24, Hex Head Cone | 2 |
| 2 | 101834601 | Bracket, Snubber | 1 |
| 3 | 101834602 | Bracket, Snubber, Tall | 1 |
| 4 | 101884801 | Screw, 5/16-24 X 0.875, Grade-8 | 2 |
| 5 | 102540301 | Snubber, Inner Frame | 1 |
| 6 | 47564890001 | Bracket, Snubber, Csmr, Lifted | 1 |
| 7 | 47587701001 | Asm, Dual Snubber (includes items 8 and 9) | 1 |
| 8 | 47583795001 | Bracket, Dual Snubber | 1 |
| 9 | 47584184001 | Snubber, Dual | 1 |
| <p style="margin-left: 40px;">Note: Items 8 and 9 are not illustrated.</p> | | | |

8

G

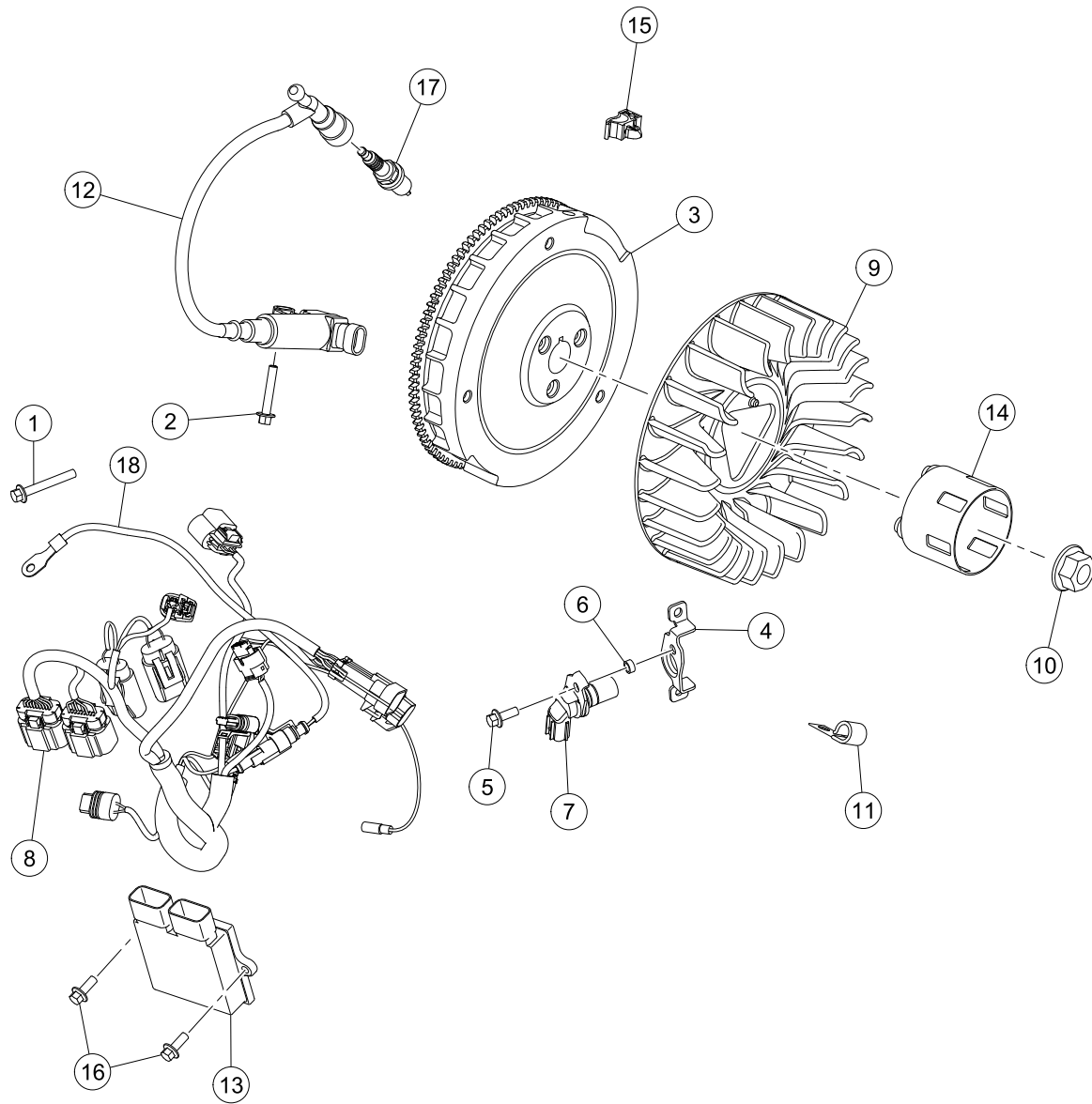


G-040899-000001

BLOWER HOUSING AND HEAT SHIELD – ECH440

| ITEM | PART NO. | DESCRIPTION | QTY |
|------|-------------|--------------------------------------|-----|
| | | 1 2 3 4 | |
| 1 | 47629844001 | Kit, Blower Housing, Kohler | 1 |
| 2 | 47629845001 | Shield, Upper Heater, Kohler | 1 |
| 3 | 47629846001 | Shield Assembly, Cylinder, Koh | 1 |
| 4 | 47629847001 | Screen, Blower Housing, Kohler | 1 |
| 5 | 47629848001 | Clip, Wire, Kohler | 2 |
| 6 | 47629851001 | Nut, Blower Housing (cky), Koh | 1 |
| 7 | 47629853001 | Nut, Blower Housing (cky), Koh | 1 |
| 8 | 47629855001 | Clamp, Insulator, Kohler | 1 |
| 9 | 47629856001 | Assembly, Heat Shield, Kohler | 1 |

8
G

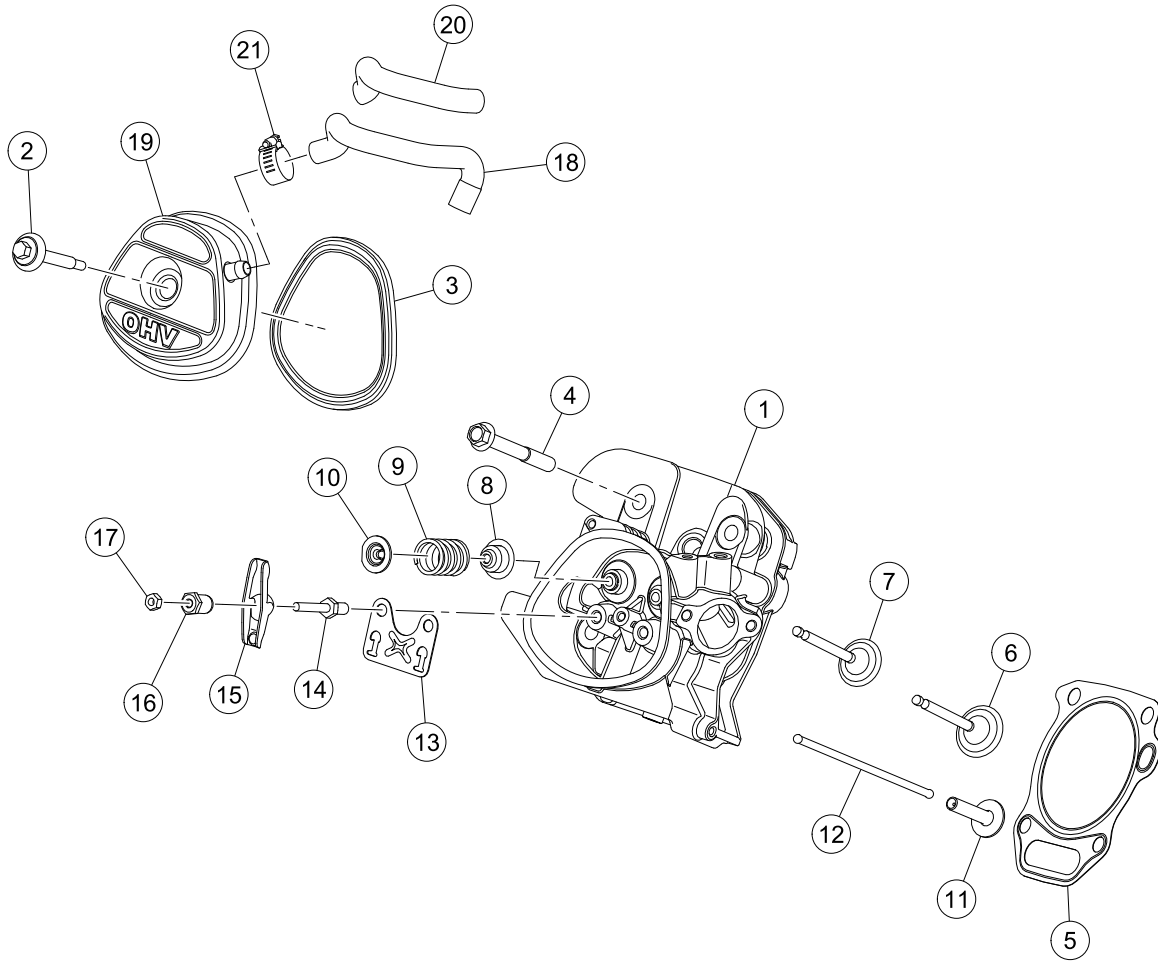


G-040799-000001

IGNITION COMPONENTS AND FLYWHEEL – ECH440

| ITEM | PART NO. | DESCRIPTION | QTY |
|------|-------------|--------------------------------------|-----|
| | | 1 2 3 4 | |
| 1 | 47629702001 | Screw, Hex Flange (m6), Kohler | 3 |
| 2 | 47629702001 | Screw, Hex Flange (m6), Kohler | 1 |
| 3 | 47629826001 | Flywheel Assy, Electric Start | 1 |
| 4 | 47629828001 | Bracket, Crank Sensor, Kohler | 1 |
| 5 | 47629831001 | Screw, Hex Flange, Kohler | 1 |
| 6 | 47629832001 | Spacer, Kohler | 1 |
| 7 | 47629833001 | Sensor, Speed, Kohler | 1 |
| 8 | 47629834001 | Harness, Wiring Assy, Kohler | 1 |
| 9 | 47629835001 | Fan, Flywheel, Kohler | 1 |
| 10 | 47629836001 | Nut, Flywheel, Kohler | 1 |
| 11 | 47629837001 | Clip, Cable, Kohler | 1 |
| 12 | 47629838001 | Coil, Ignition-efi, Kohler | 1 |
| 13 | 47629839001 | Module, Ecu, Kohler | 1 |
| 14 | 47629841001 | Cup, Starter Drive, Kohler | 1 |
| 15 | 47629843001 | Clip, Wiring Harness, Kohler | 1 |
| 16 | 47640021001 | Screw, M6x16, Kohler | 2 |
| 17 | 47640281001 | Plug, Spark, Kohler | 1 |
| 18 | 47650647001 | Sensor, Temperature | 1 |

8
G



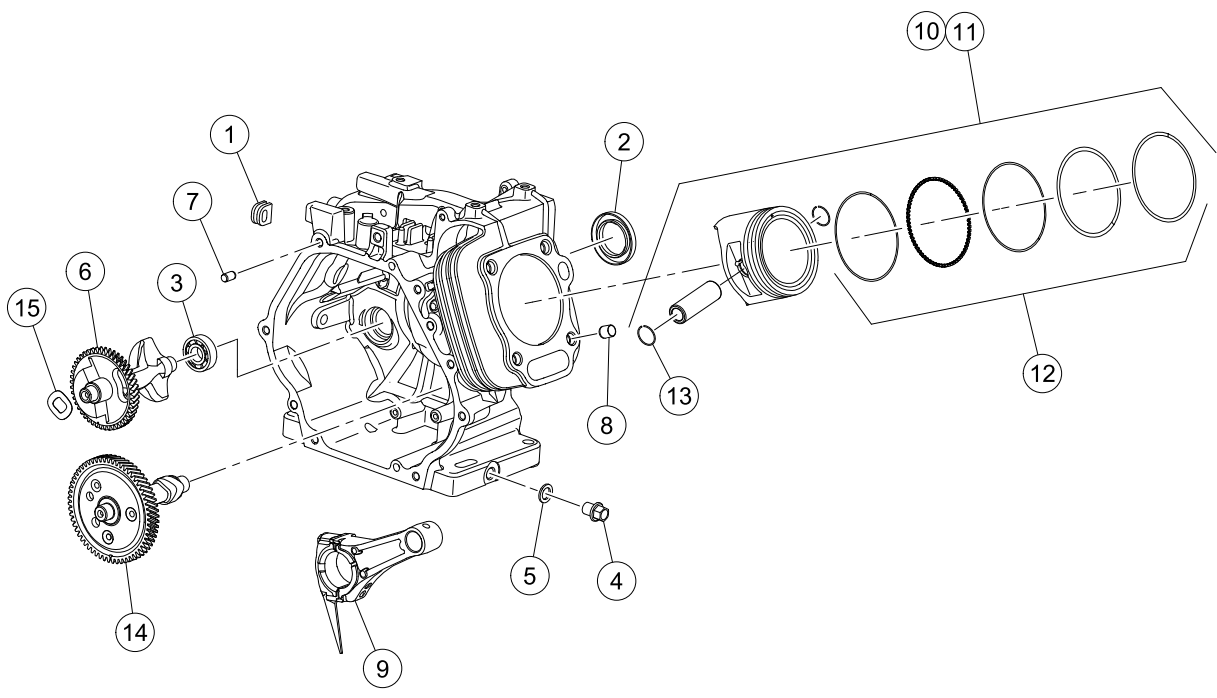
G-040599-000001

CYLINDER HEAD AND VALVE – ECH440

| ITEM | PART NO. | DESCRIPTION | QTY |
|------|-------------|--------------------------------------|-----|
| | | 1 2 3 4 | |
| 1 | 47629711001 | Assembly, Cylinder Head, Kohle | 1 |
| 2 | 47629714001 | Screw, Valve Cover Seal Assy, | 1 |
| 3 | 47629716001 | Gasket, Valve Cover, Kohler | 1 |
| 4 | 47629717001 | Screw, Hex Flange Cylinder Hea | 4 |
| 5 | 47629718001 | Kit, Head Gasket, Kohler | 1 |
| 6 | 47629719001 | Valve, Intake, Kohler | 1 |
| 7 | 47629720001 | Valve, Exhaust, Kohler | 1 |
| 8 | 47629722001 | Seal, Valve Stem, Kohler | 2 |
| 9 | 47629723001 | Spring, Valve, Kohler | 2 |
| 10 | 47629724001 | Retainer, Valve Spring, Kohler | 2 |
| 11 | 47629725001 | Lifter, Valve, Kohler | 2 |
| 12 | 47629726001 | Rod, Push, Kohler | 2 |
| 13 | 47629727001 | Plate, Pushrod Guide, Kohler | 1 |
| 14 | 47629728001 | Stud, Rocker, Kohler | 2 |
| 15 | 47629729001 | Arm, Rocker, Kohler | 2 |
| 16 | 47629730001 | Pivot, Rocker Arm, Kohler | 2 |
| 17 | 47629768001 | Nut, Hex Jam, Kohler | 2 |
| 18 | 47629822001 | Hose, Breather, Kohler | 1 |
| 19 | 47629823001 | Valve Cover Assembly, Kohler | 1 |
| 20 | 47629824001 | Sleeve, Anti Abrasion, Kohler | 1 |
| 21 | 47629825001 | Clamp, Hose, Kohler | 1 |

8

G



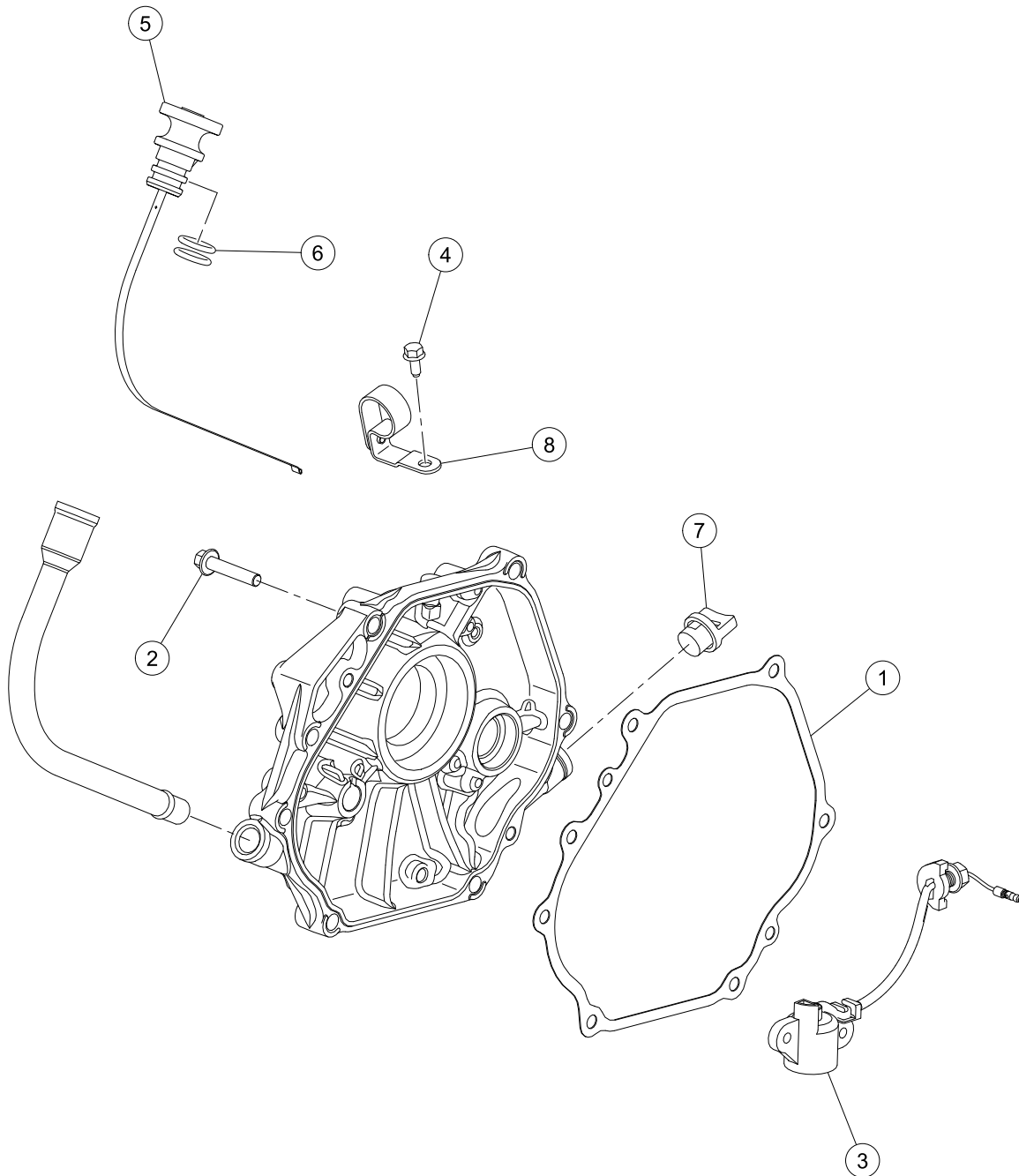
G-040399-000001

CRANKCASE AND PISTON – ECH440

| ITEM | PART NO. | DESCRIPTION | QTY |
|------|-------------|--------------------------------------|-----|
| | | 1 2 3 4 | |
| 1 | 47629677001 | Grommet, Crankcase,kohler | 1 |
| 2 | 47629680001 | Seal, Crankcase, Kohler | 2 |
| 3 | 47629682001 | Bearing, Balancing Shaft, Kohl | 2 |
| 4 | 47629685001 | Kit, Drain Plug, Kohler | 2 |
| 5 | 47629686001 | Washer, Drain Plug, Kohler | 2 |
| 6 | 47629687001 | Shaft, Balance, Kohler | 1 |
| 7 | 47629688001 | Pin, Dowel, Kohler | 2 |
| 8 | 47629689001 | Pin, Dowel Cylinder Head, Kohl | 2 |
| 9 | 47629690001 | Rod, Connecting Assembly,kohle | 1 |
| 10 | 47629691001 | Kit, Piston Wing Set (std), Ko | 1 |
| 11 | 47629693001 | Kit, Piston (0.25 O.s.), Kohle | 1 |
| 12 | 47629694001 | Ring Set, Kohler | 2 |
| 13 | 47629696001 | Retainer, Piston, Kohler | 2 |
| 14 | 47629697001 | Camshaft Assembly, Kohler | 1 |
| 15 | 47629698001 | Spring, Wave, Kohler | 1 |

8

G

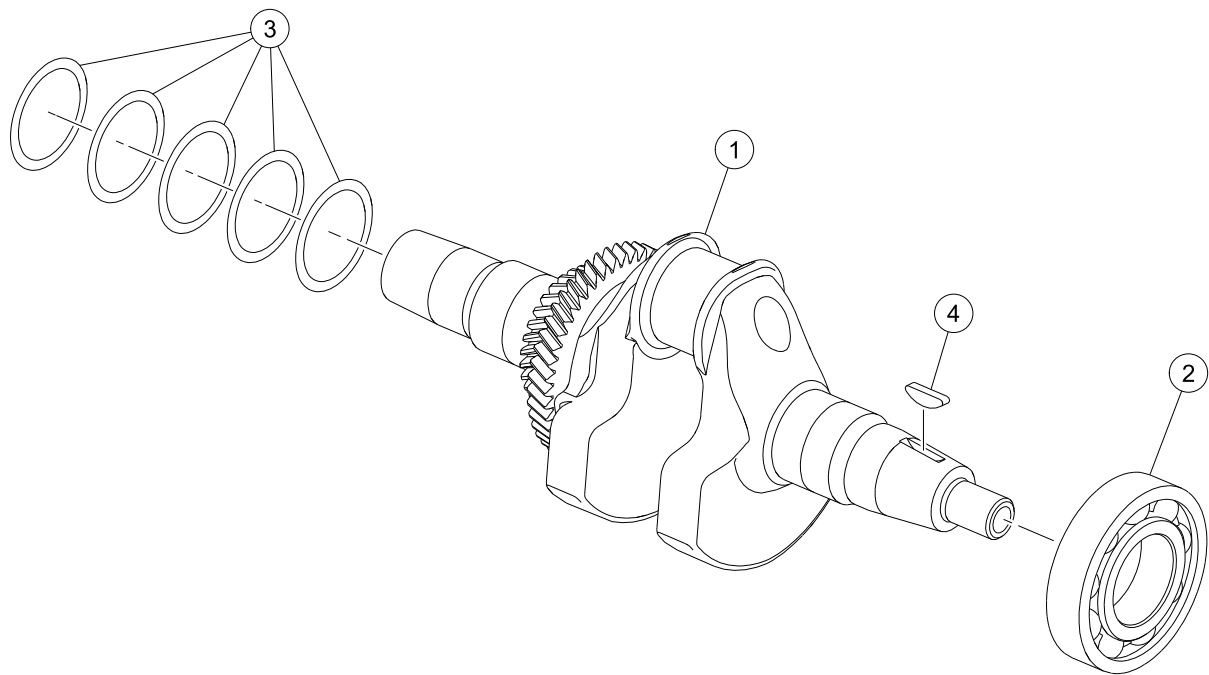


G-040699-000001

OIL SENSOR AND LUBRICATION – ECH440

| ITEM | PART NO. | DESCRIPTION | QTY |
|------|-------------|--------------------------------------|-----|
| | | 1 2 3 4 | |
| 1 | 47629699001 | Gasket, Closure Plate, Kohler | 1 |
| 2 | 47629700001 | Screw, Closure Plate, Kohler | 7 |
| 3 | 47629701001 | Switch, Oil Sensor Assembly, K | 1 |
| 4 | 47629702001 | Screw, Hex Flange (m6), Kohler | 18 |
| 5 | 47629703001 | Dipstick, Assembly, Kohler | 1 |
| 6 | 47629705001 | O-ring, Dipstick Cap, Kohler | 2 |
| 7 | 47629707001 | Cap Assy, Oil Fill, Kohler | 1 |
| 8 | 47629709001 | Bracket, Dipstick Tub, Kohler | 1 |

8
G



G-040299-000001

CRANKSHAFT – ECH440

| ITEM | PART NO. | DESCRIPTION | QTY |
|------|-------------|-----------------------------------|-----|
| | | 1 2 3 4 | |
| 1 | 47629583001 | Crankshaft Assembly, Kohler | 1 |
| 2 | 47629585001 | Bearing, Crankshaft, Kohler | 2 |
| 3 | 47629588001 | Kit, Shims, Kohler | 5 |
| 4 | 47629589001 | Key, Flywheel, Kohler | 1 |

8

G

8

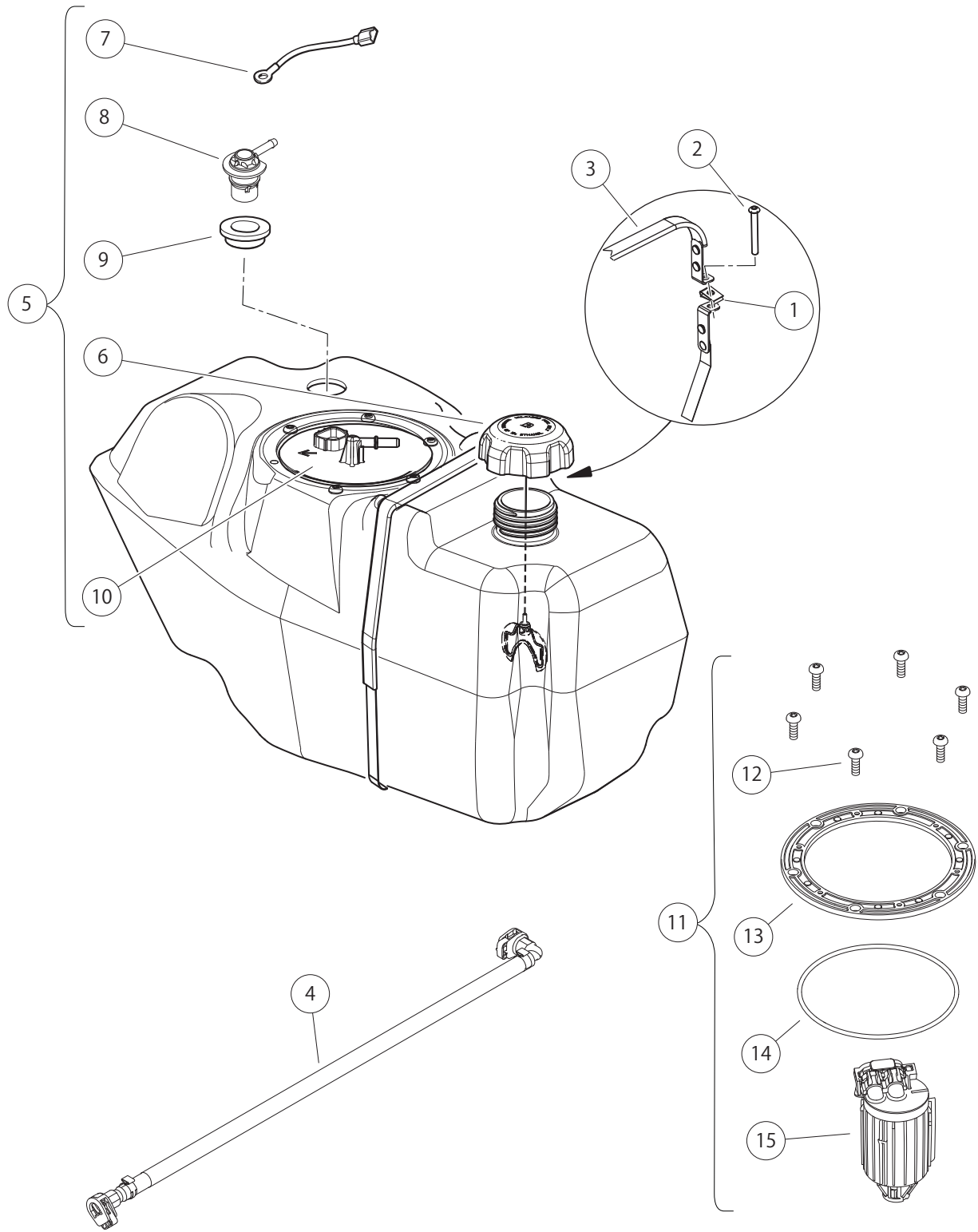
G

FUEL SYSTEM – EFI

9

G

9
G



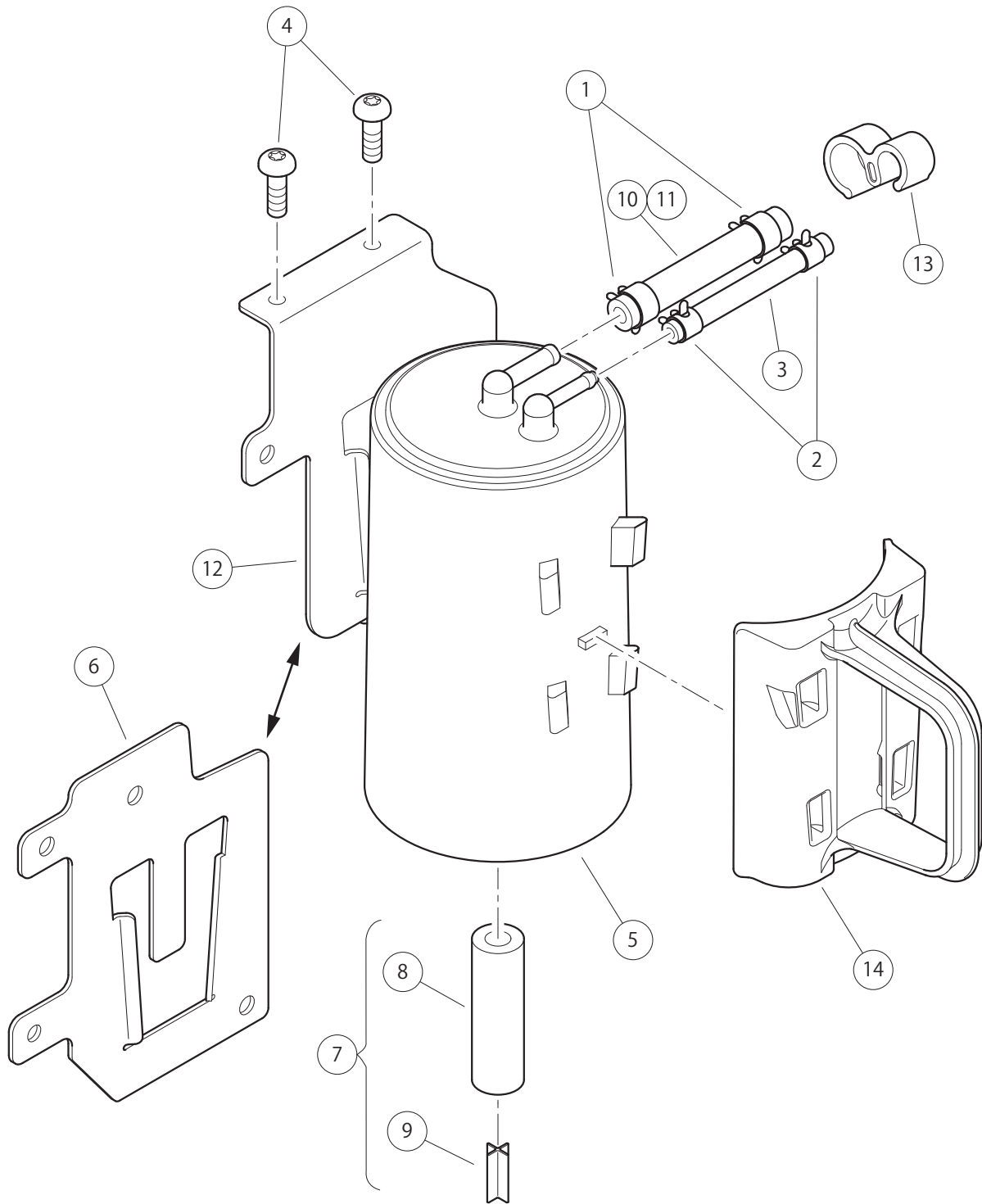
000975-006

FUEL TANK WITH PUMP, TOP FILL – EFI

| ITEM | PART NO. | DESCRIPTION | QTY |
|------|-------------|---|-----|
| | | 1 2 3 4 | |
| 1 | 1014116 | Nut, 1/4-20 Speed | 1 |
| 2 | 105194101 | 1/4-20 X 2.5, Bhcs, 6-lobe | 1 |
| 3 | 105245401 | Strap, Tank, Utility | 1 |
| 4 | 47606233003 | Asm, Fuel Line, Util, Sb | 1 |
| 5 | 47664038001 | Asm, Tank, Fuel, Top, Su (includes items 6 through 11) | 1 |
| 6 | 103372101 | Cap, Fuel Tank, Gas, Ratchet | 1 |
| 7 | 105143301 | Wire, Ground, Fuel Tank | 1 |
| 8 | 47611876001 | Vent Rov, Fuel Tank, Precedent | 1 |
| 9 | 47611877001 | Grommet, Fuel Tank, Vent | 1 |
| 10 | N/A | Fuel Pump Module Su 50psi | 1 |
| 11 | 47623339001 | Kit, Fuel Filter, 50 Psi (includes items 12 through 15) | 1 |
| 12 | 102025801 | Screw, 1/4-20 X .75 Torx Pn Hd | 6 |
| 13 | 105043801 | Fuel Module, Hold Down Ring | 1 |
| 14 | 105043901 | O-Ring, Fuel Module | 1 |
| 15 | N/A | Fuel Filter, 50psi | 1 |

9

G



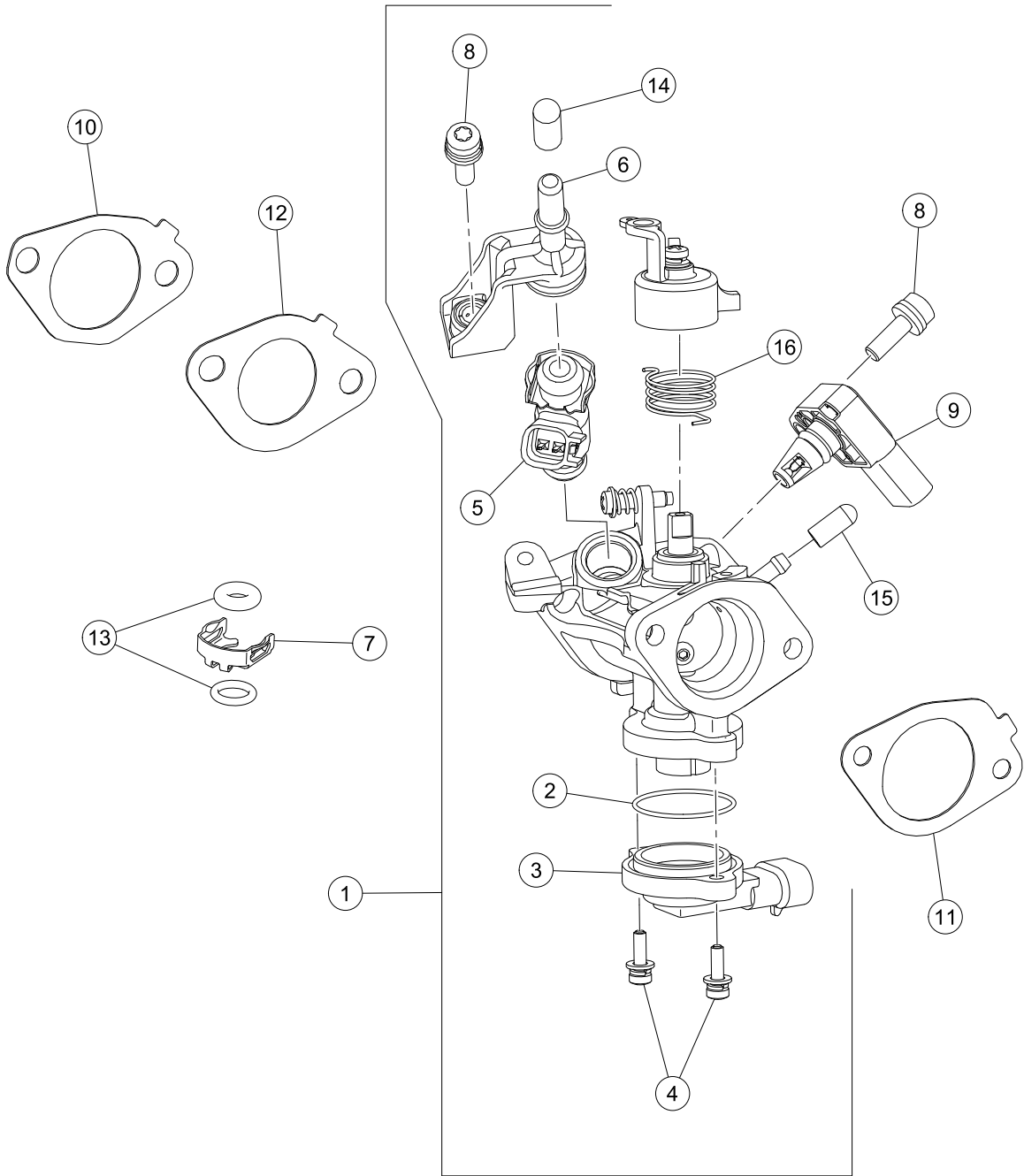
000980-014

CARBON CANISTER – EFI

| ITEM | PART NO. | DESCRIPTION | QTY |
|--|-------------|--|-----|
| | | 1 2 3 4 | |
| 1 | 1012649 | Clamp, 0.460 Red Hose | 2 |
| 2 | 1013746 | Clamp, 0.301 ID Hose | 2 |
| 3 | 101587714 | Hose, Fuel, Vent, 34" Long | 1 |
| 4 | 102025801 | Screw, 1/4-20 X .75 Torx Pn Hd | 2 |
| 5 | 103372401 | Canister, Carbon | 1 |
| 6 | 103452001 | Brkt, Mtg, Carbon Canister | 1 |
| 7 | 103756401 | Asm, Vent Line, Carbon Canister (includes items 8 and 9) | 1 |
| 8 | N/A | Hose, Vent, 5/16 I.D., Bulk | 1 |
| 9 | N/A | Vent, Barb, 5/16 I.D. Hose | 1 |
| 10 | 103896604 | Hose, Vent, 1/4 Id, 17 In (SWB and Utility) | 1 |
| 11 | 103896605 | Hose, Vent, 1/4 Id, 23.5 In | 1 |
| 12 | 47606257001 | Brkt, Mtg, Carbon Canister | 1 |
| 13 | 47619701001 | Clip, Purge Line, Util | 2 |
| 14 | 47637087001 | Bracket, fuel line routing | 1 |
| <p>Note: Items 6 and 14 apply to short wheel base vehicles only. Item 12 applies to utility and long wheel base vehicles only.</p> | | | |

9

G



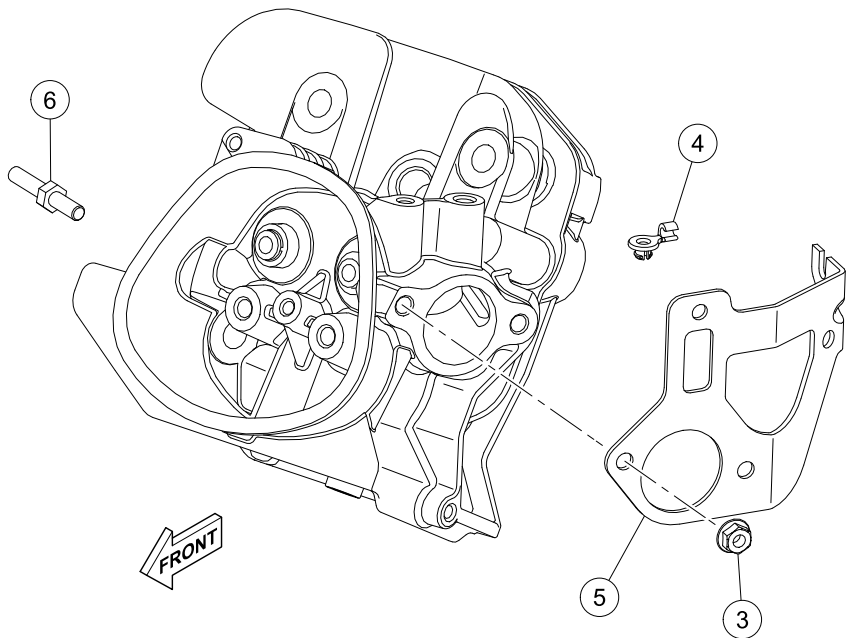
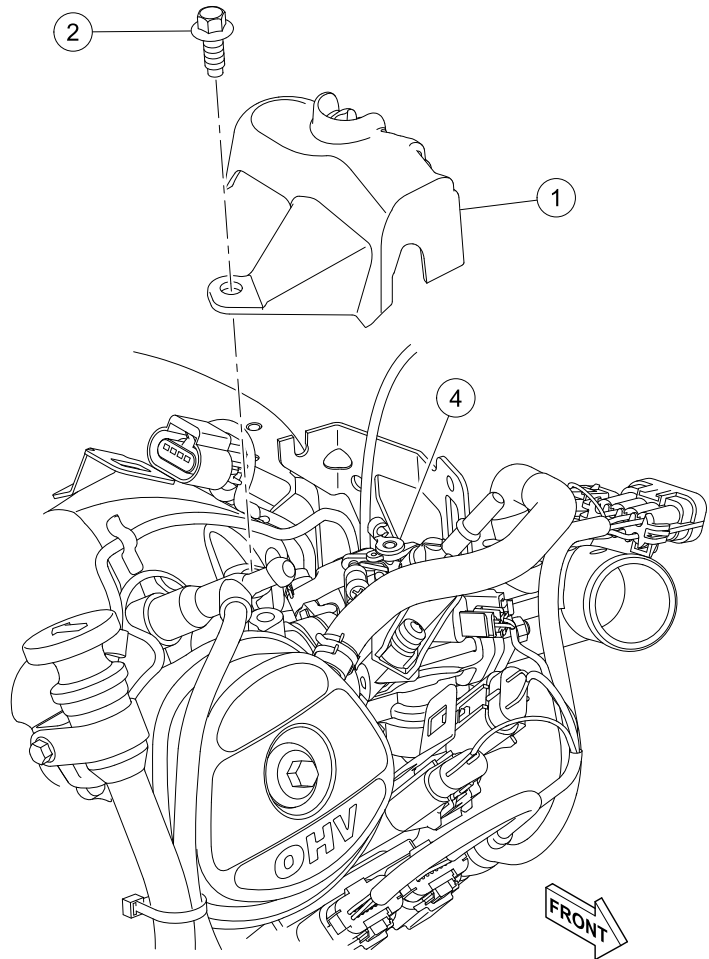
G-100199-000001

THROTTLE BODY AND MOUNTING

| ITEM | PART NO. | DESCRIPTION | QTY |
|------|-------------|--------------------------------------|-----|
| | | 1 2 3 4 | |
| 1 | 47629857001 | Throttle Body, Assembly, Kohle | 1 |
| 2 | 47629858001 | O-ring, Kohler | 1 |
| 3 | 47629859001 | Kit, Tps, Kohler | 1 |
| 4 | 47629860001 | Screw, Hexalobular, M4 X 0.7 X | 2 |
| 5 | 47629861001 | Injector, Fuel, Kohler | 1 |
| 6 | 47629862001 | Cap, Fuel Inector, Kohler | 1 |
| 7 | 47629864001 | Clip, Retainer, Kohler | 1 |
| 8 | 47629865001 | Screw, Hexalobular, M6 X 1 Sem | 2 |
| 9 | 47629866001 | Sensor, T-map, Kohler | 1 |
| 10 | 47629867001 | Kit, Gasket Intake, Kohler | 1 |
| 11 | 47629868001 | Gasket, Throttle Body, Kohler | 1 |
| 12 | 47629869001 | Gasket, Insulator To T-body, K | 1 |
| 13 | 47629870001 | Kit, Fuel Injector O-ring, Koh | 1 |
| 14 | 47629871001 | Cap, Masking, Kohler | 1 |
| 15 | 47629872001 | Cap, Masking, Kohler | 1 |
| 16 | 47629874001 | Spring, Return, Kohler | 1 |

9

G



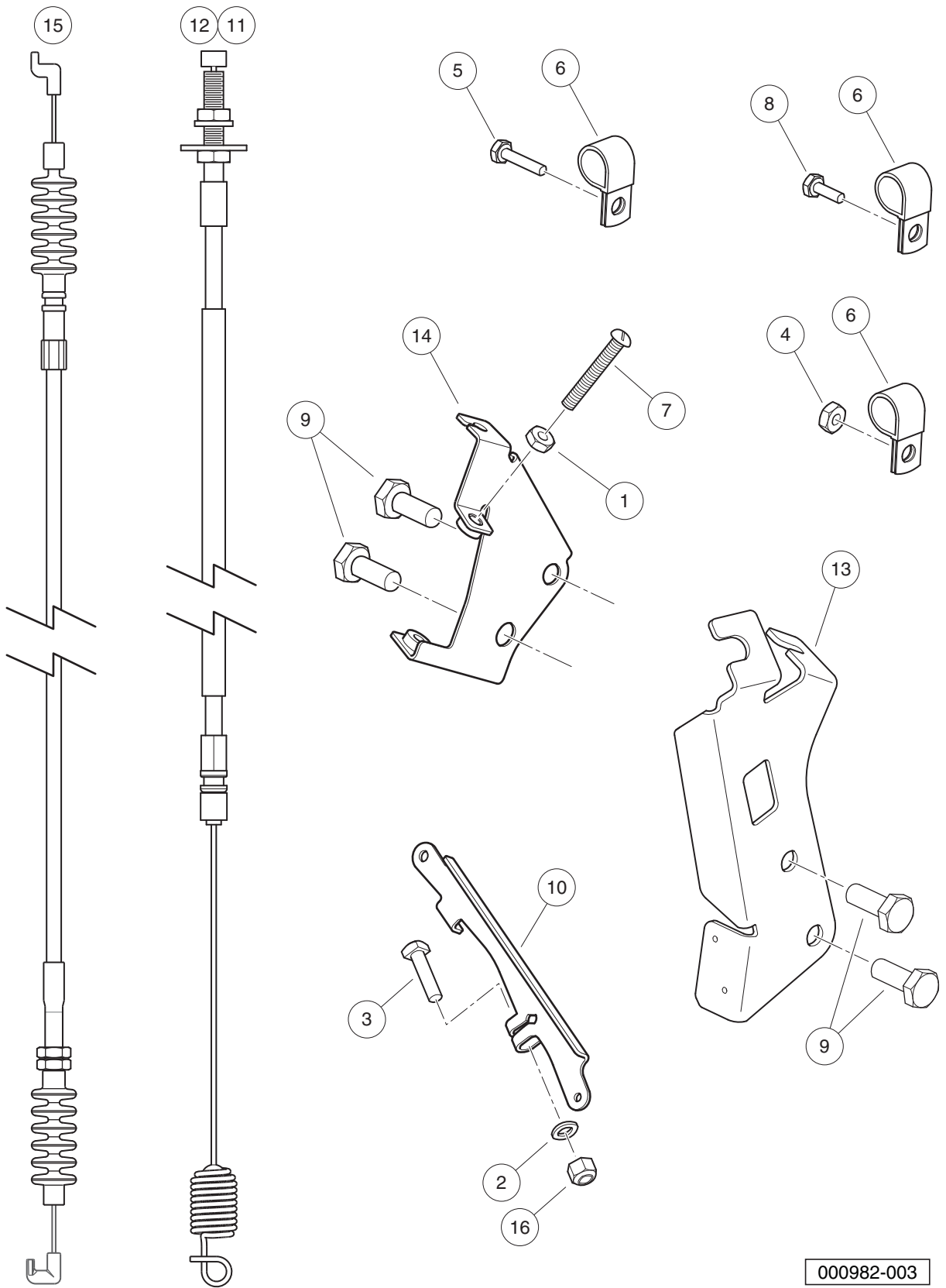
G-040999-000002

GOVERNOR BRACKET AND COVER – EFI

| ITEM | PART NO. | DESCRIPTION | QTY |
|------|-------------|--------------------------------------|-----|
| | | 1 2 3 4 | |
| 1 | 47612352001 | Cover, Governor, Ech 440 | 1 |
| 2 | 47617158001 | M8-1.25 X 16 Lg, Pan Hd, Torx | 2 |
| 3 | 47629875001 | Nut, Hex Flange Lock (m6), Koh | 2 |
| 4 | 47629876001 | Bushing, Linkage Retainer, Koh | 1 |
| 5 | 47629877001 | Bracket, Governor, Kohler | 1 |
| 6 | 47629878001 | Stud, Ground, Kohler | 1 |

9

G



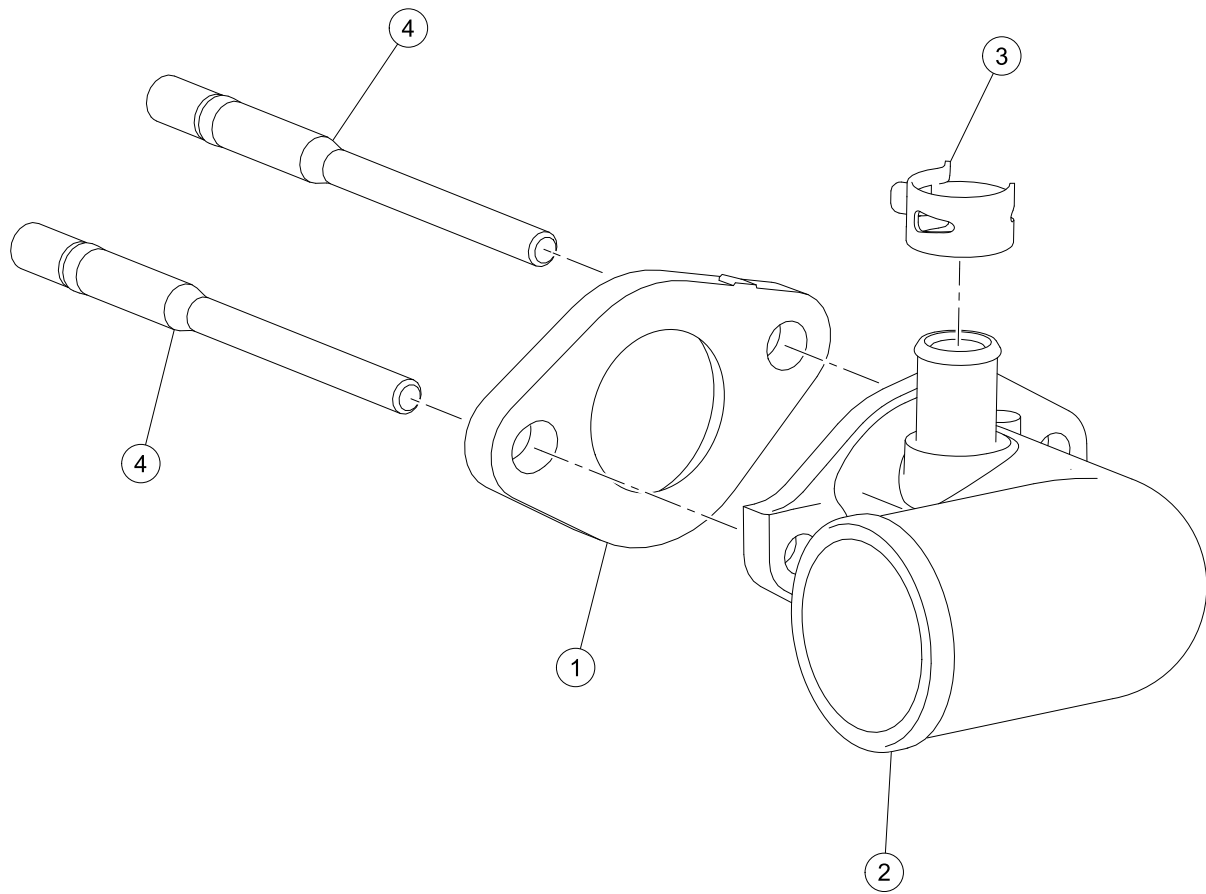
000982-003

GOVERNOR AND ACCELERATOR CABLES – EFI

| ITEM | PART NO. | DESCRIPTION | QTY |
|------|-------------|--|-----|
| | | 1 2 3 4 | |
| 1 | 1011114 | Nut, M6-1.00 Hex | 2 |
| 2 | 1014007 | Washer, 1/4, Flat | 1 |
| 3 | 101886101 | Screw, 1/4-20 X 1.00, Square-Head | 1 |
| 4 | 101887601 | Locknut, M6-1.00 Nylon Insert | 1 |
| 5 | 102296716 | Screw, M6 X 16 Tt Hx Fl Hd | 1 |
| 6 | 102410604 | P-clamp, Insulated, 0.625 Inch | 3 |
| 7 | 102476401 | Bolt, Stop, Pedal | 1 |
| 8 | 102490301 | Bolt, M6 X 1 X 16, Loctite | 1 |
| 9 | 102498201 | Bolt, M10 X 1.25 X 25, Loctite | 2 |
| 10 | 104023501 | Arm, Governor, ED65 | 1 |
| 11 | 105007402 | Cable, Accelerator, Utility, Low-Speed | 1 |
| 12 | 105007403 | Cable, Accelerator, Utility, Std-Speed | 1 |
| 13 | 105135101 | Bracket, Cable, FNR/Accelerator, ED65 | 1 |
| 14 | 105144401 | Weldment, Governor Bracket | 1 |
| 15 | 47601355001 | Cable, Governor, Z Fit 90 Fit | 1 |
| 16 | 8233 | Locknut, 1/4-20, Nylon Insert | 1 |

9

G



G-040999-000003

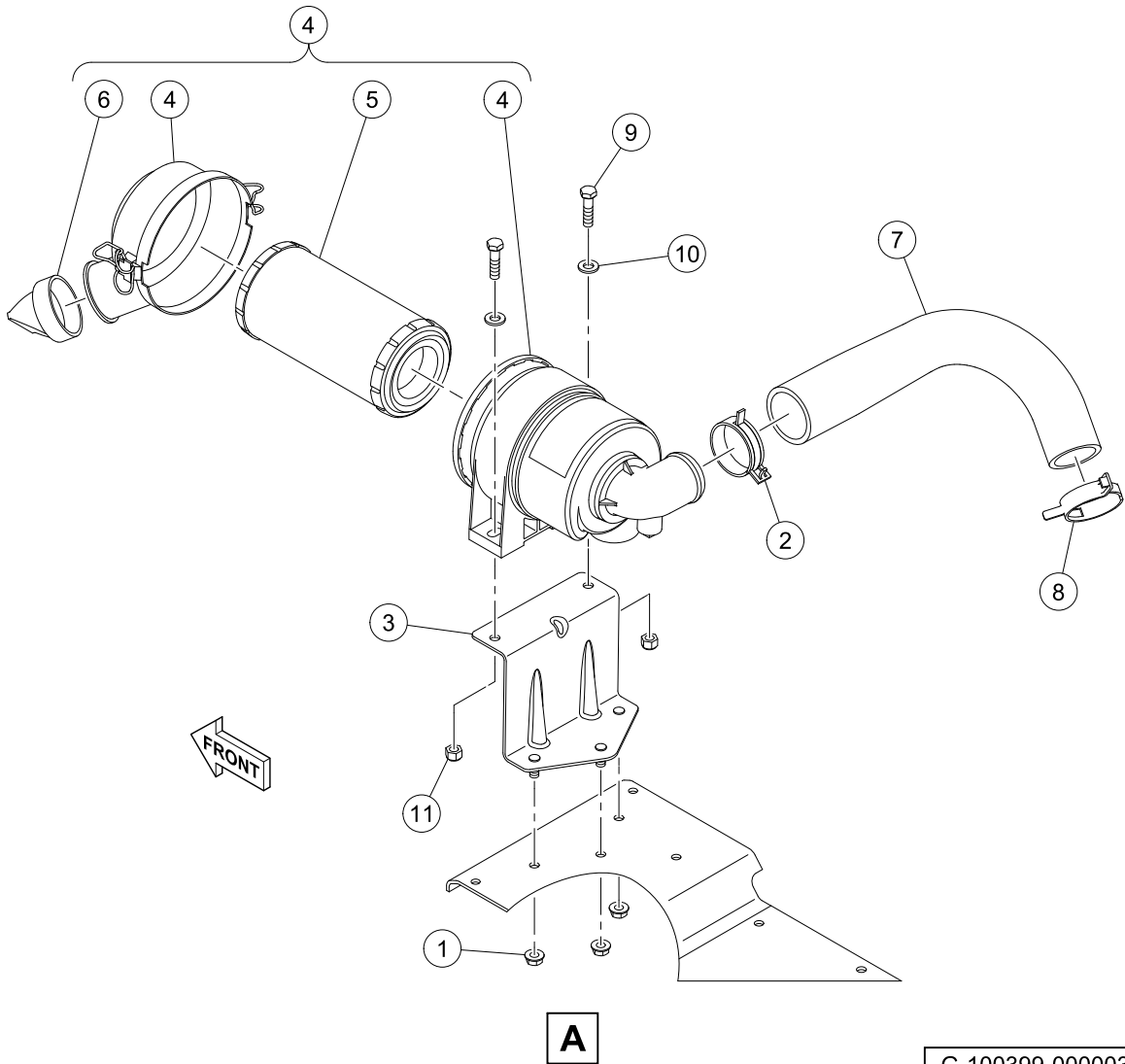
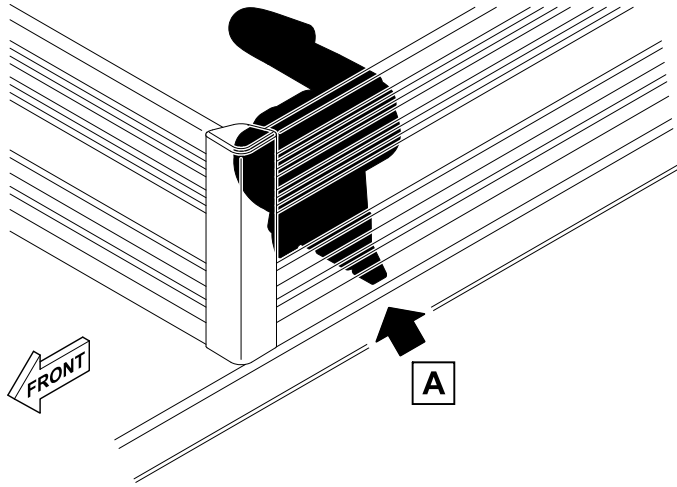
AIR INTAKE ELBOW – EFI

| ITEM | PART NO. | DESCRIPTION | QTY |
|------|-------------|---------------------------------------|-----|
| | | 1 2 3 4 | |
| 1 | 47629879001 | Insulator Throttle Body, Kohler | 1 |
| 2 | 47629880001 | Elbow, Air Inlet, Kohler | 1 |
| 3 | 47629881001 | Clamp, Breather Hose, Kohler | 1 |
| 4 | 47629882001 | Stud, Intake, Kohler | 2 |

9

G

9
G



G-100399-000003

AIR FILTER SYSTEM AND INTAKE HOSE – EFI, LWB UTILITY/ TRANS

| ITEM | PART NO. | DESCRIPTION | QTY |
|------|-----------|--|-----|
| | | 1 2 3 4 | |
| 1 | 101963401 | Locknut, 5/16-18 Hex Flange | 3 |
| 2 | 102411209 | Clamp, Hose, Ctb 55mm Dia. | 1 |
| 3 | 105003401 | Asm, Bracket, Mtg, Air Cleaner | 1 |
| 4 | 105009101 | Air Cleaner, Utility with EFI (includes items 5 and 6) | 1 |
| 5 | 102558201 | Air Filter, 4 Inch | 1 |
| 6 | 102725501 | Valve, Evacuator, Filter Air | 1 |
| 7 | 105009401 | Hose, Air Intake, LWB Utility with EFI | 1 |
| 8 | 105088501 | Clamp, Ctb, 49mm Dia, W/clip | 1 |
| 9 | 1218 | Screw, 5/16-18 X 1.25 Hex-Head Cap | 2 |
| 10 | 1241 | Washer, 5/16 Type A Flat | 2 |
| 11 | 7473 | Locknut, 5/16-18 Nylon Insert | 2 |

9
G

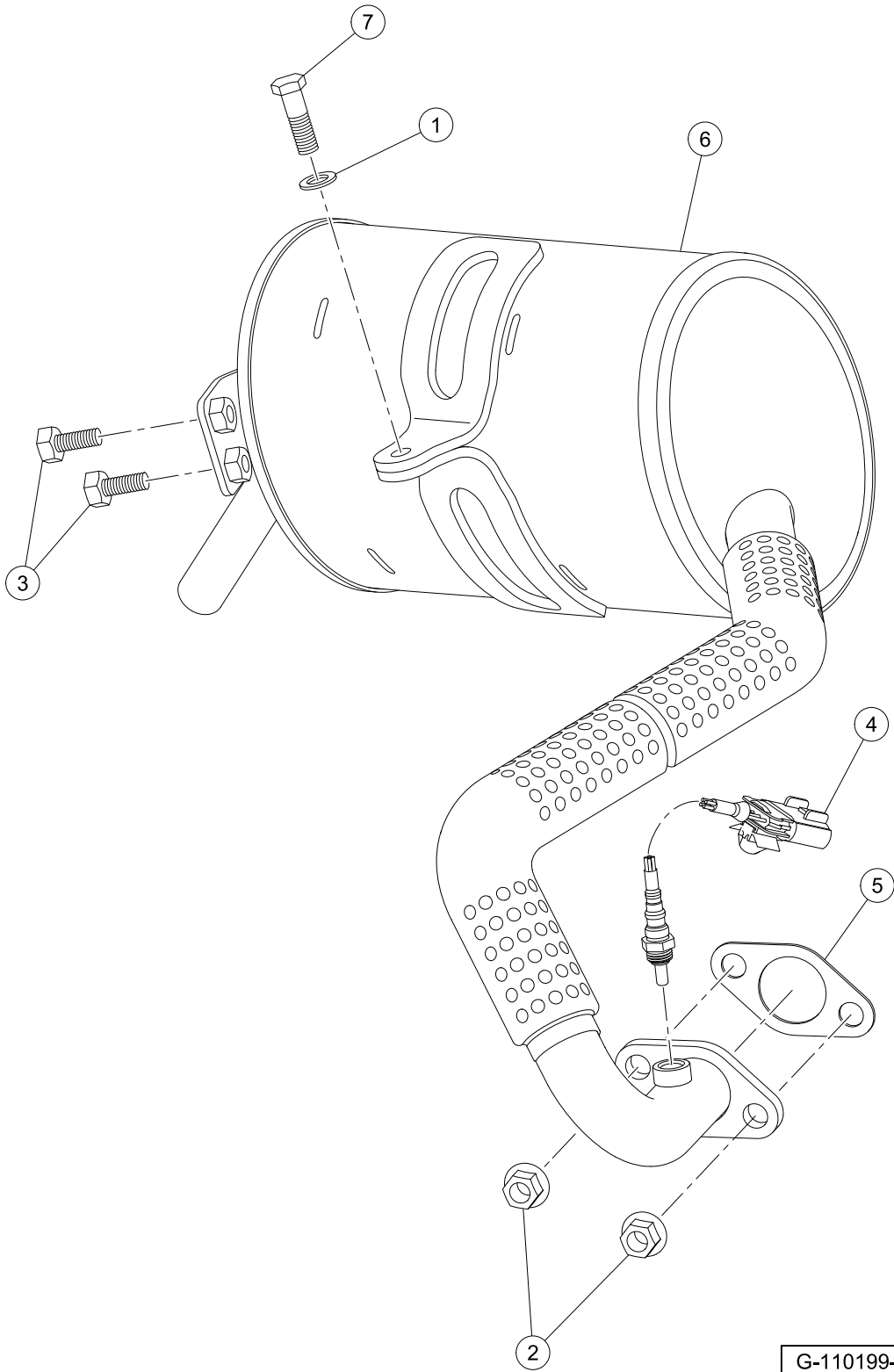
9

G

EXHAUST SYSTEM – ECH440

10

G



G-110199-000001

EXHAUST SYSTEM

| ITEM | PART NO. | DESCRIPTION | QTY |
|------|-------------|---|-----|
| | | 1 2 3 4 | |
| 1 | 1011697 | Washer, 5/16 Flat | 1 |
| 2 | 102298401 | Nut, M8, All Metal Lock | 2 |
| 3 | 102922701 | Bolt, Flanged Head, M8x1.25x20 Lock Patch | 2 |
| 4 | 47611209001 | Asm, Sensor, Oxygen, Heated | 1 |
| 5 | 47611210001 | Gasket, Exhaust, Grpht, Ech440 | 1 |
| 6 | 47613047002 | Exhaust, Ech440, Utility | 1 |
| 7 | 96705587 | Bolt, M8 X 1.25 X 30 | 1 |

10

G

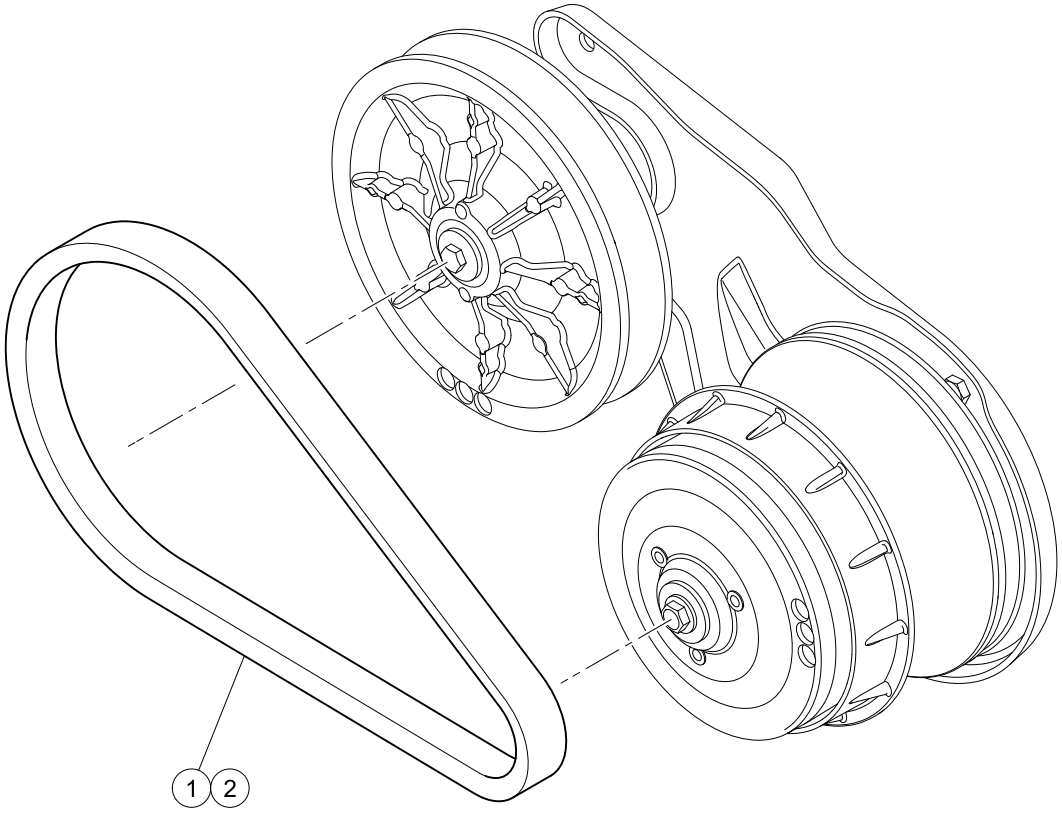
10

G

DRIVE BELT AND CLUTCHES – EFI GASOLINE VEHICLES

11

G

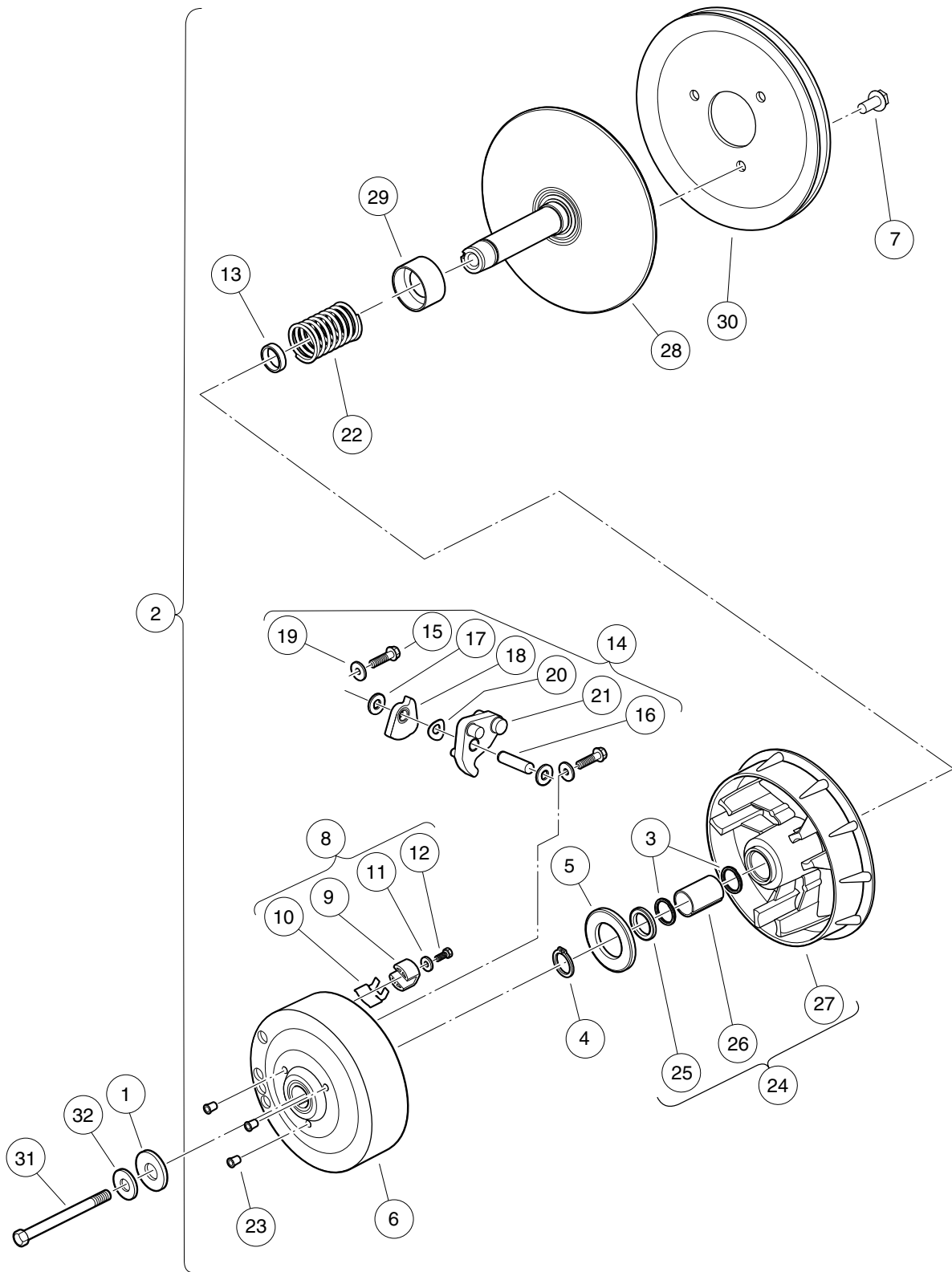


G-060099-000001

DRIVE BELTS – EFI

| ITEM | PART NO. | DESCRIPTION | QTY |
|------|-----------|---|-----|
| 1 | 103974102 | 1 2 3 4 Belt, Drive, Key-Start | 1 |
| 2 | 105245801 | Belt, Drive, Pedal-Start | 1 |

11
G



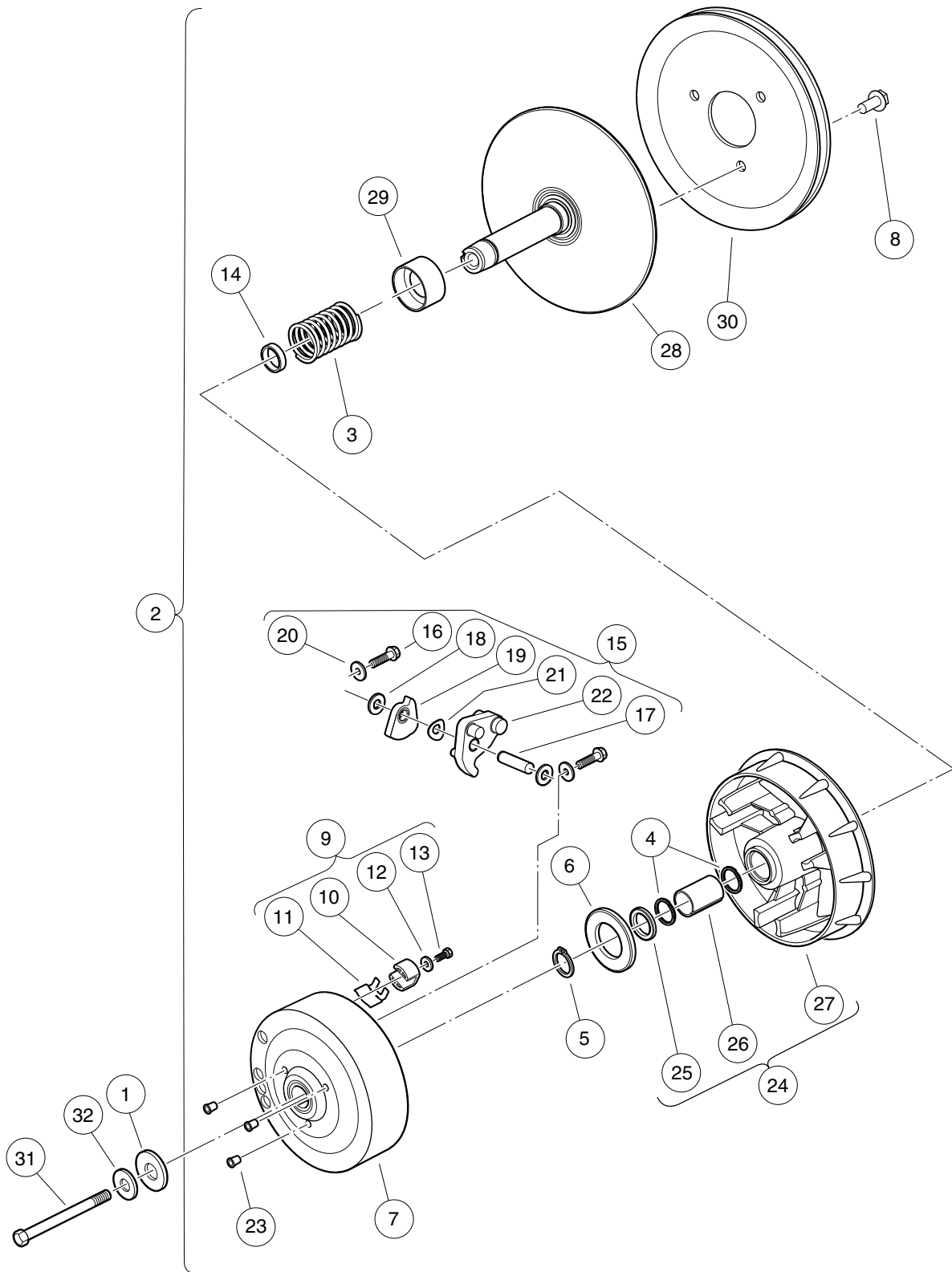
000958-002

DRIVE CLUTCH – KEY-START VEHICLES

| ITEM | PART NO. | DESCRIPTION | QTY |
|------|-----------|---|-----|
| | | 1 2 3 4 | |
| 1 | 102491501 | Washer, Hard, M10 | 1 |
| 2 | 103973902 | Clutch, Drive, Key-Start (includes items 3 through 30) | 1 |
| 3 | 1014056 | Ring, Spiral Backup | 2 |
| 4 | 1014057 | Ring, 0.810" Internal Retaining | 1 |
| 5 | 1014058 | Thrust Washer | 1 |
| 6 | 1014059 | Drive Hub Assy, Drive Clutch | 1 |
| 7 | 1014288 | Screw, 5/16-18 X 0.75, Thread-Forming | 3 |
| 8 | 1014453 | Kit, Drive Clutch Button (includes items 9 through 12) | 1 |
| 9 | 1014062 | Driver, Drive Clutch | 3 |
| 10 | 1014287 | Spring, Drive Button | 3 |
| 11 | 183 | Washer, #10, Type A, Flat | 3 |
| 12 | 8450 | Screw, #10-24 X 0.50, Hex-Head | 3 |
| 13 | 1016289 | Spacer, Fixed Face Shaft | 1 |
| 14 | 1016801 | Kit, Drive Clutch Weight (includes items 15 through 21) | 1 |
| 15 | 1014063 | Screw, 1/4-20 X 1.00, Hex Head | 6 |
| 16 | N/A | Pin, Dowel, 0.3752 x 1.50 | 3 |
| 17 | 1014065 | Washer, Flat, 0.38" ID, Delrin | 6 |
| 18 | N/A | Clutch Weight, Secondary | 3 |
| 19 | N/A | Washer | 6 |
| 20 | 1016201 | Washer, Wave | 3 |
| 21 | N/A | Weight, Primary | 3 |
| 22 | 1016901 | Spring, Drive Clutch | 1 |
| 23 | N/A | Cap Plug | 3 |
| 24 | 103974201 | Asm, Sheave, Moveable, Drive, Wr (includes items 25 through 27) | 1 |
| 25 | 1014055 | Retainer | 1 |
| 26 | N/A | Bushing, Split, Drive Clutch | 1 |
| 27 | N/A | Sheave, Moveable, Drive, Wr | 1 |
| 28 | 103974401 | Sheave, Fixed, Drive, Wr | 1 |
| 29 | 103984601 | Spacer, Idler, Drive | 1 |
| 30 | 105096101 | Pulley, 7.3 Inch Effective Dia | 1 |
| 31 | 103976101 | Screw, 3/8-24x5.75, Patch | 1 |
| 32 | 334 | Washer, 3/8, Type A, Flat | 1 |

11

G



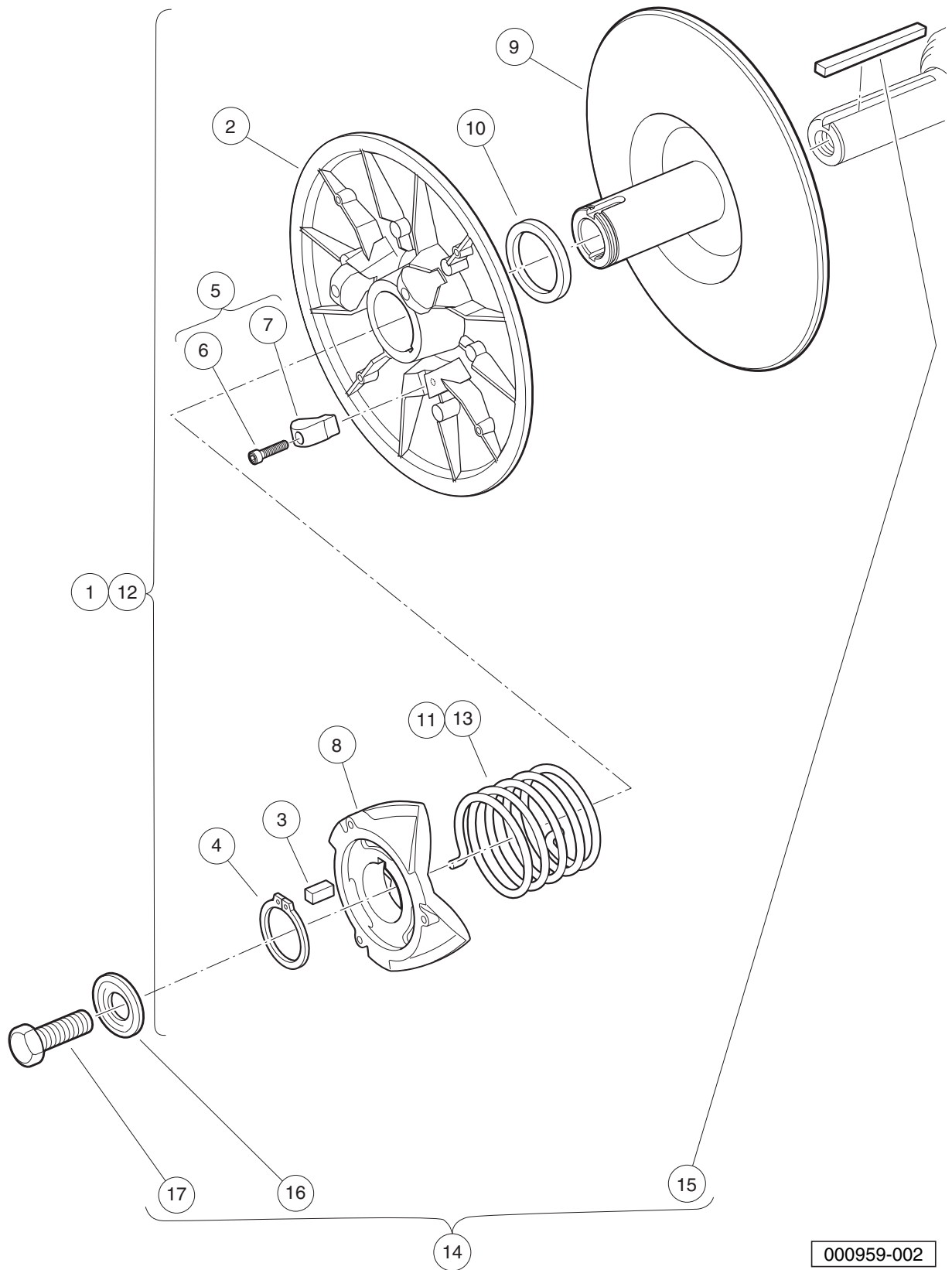
000958-001

DRIVE CLUTCH – PEDAL-START VEHICLES

| ITEM | PART NO. | DESCRIPTION | QTY |
|------|-----------|---|-----|
| | | 1 2 3 4 | |
| 1 | 102491501 | Washer, Hard, M10 | 1 |
| 2 | 103973901 | Clutch, Drive, Pedal-Start (includes items 3 through 30) | 1 |
| 3 | 1014051 | Spring, Drive Clutch | 1 |
| 4 | 1014056 | Ring, Spiral Backup | 2 |
| 5 | 1014057 | Ring, 0.810" Internal Retaining | 1 |
| 6 | 1014058 | Thrust Washer | 1 |
| 7 | 1014059 | Drive Hub Assy, Drive Clutch | 1 |
| 8 | 1014288 | Screw, 5/16-18 X 0.75, Thread-Forming | 3 |
| 9 | 1014453 | Kit, Drive Clutch Button (includes items 10 through 13) | 1 |
| 10 | 1014062 | Driver, Drive Clutch | 3 |
| 11 | 1014287 | Spring, Drive Button | 3 |
| 12 | 183 | Washer, #10, Type A, Flat | 3 |
| 13 | 8450 | Screw, #10-24 X 0.50, Hex-Head | 3 |
| 14 | 1016289 | Spacer, Fixed Face Shaft | 1 |
| 15 | 1016801 | Kit, Drive Clutch Weight (includes items 16 through 22) | 1 |
| 16 | 1014063 | Screw, 1/4-20 X 1.00, Hex Head | 6 |
| 17 | N/A | Pin, Dowel, 0.3752 x 1.50 | 3 |
| 18 | 1014065 | Washer, Flat, 0.38" ID, Delrin | 6 |
| 19 | N/A | Clutch Weight, Secondary | 3 |
| 20 | N/A | Washer | 6 |
| 21 | 1016201 | Washer, Wave | 3 |
| 22 | N/A | Weight, Primary | 3 |
| 23 | N/A | Cap Plug | 3 |
| 24 | 103974201 | Asm, Sheave, Moveable, Drive, Wr (includes items 25 through 27) | 1 |
| 25 | 1014055 | Retainer | 1 |
| 26 | N/A | Bushing, Split, Drive Clutch | 1 |
| 27 | N/A | Sheave, Moveable, Drive, Wr | 1 |
| 28 | 103974401 | Sheave, Fixed, Drive, Wr | 1 |
| 29 | 103984601 | Spacer, Idler, Drive | 1 |
| 30 | 105096101 | Pulley, 7.3 Inch Effective Dia | 1 |
| 31 | 103976101 | Screw, 3/8-24x5.75, Patch | 1 |
| 32 | 334 | Washer, 3/8, Type A, Flat | 1 |

11

G



000959-002

DRIVEN CLUTCH – KEY START AND PEDAL START

| ITEM | PART NO. | DESCRIPTION | QTY |
|--|-------------|---|-----|
| | | 1 2 3 4 | |
| 1 | 47601767001 | Asm, Clutch, Driven, Ccw, Blk (includes items 2 through 11) | 1 |
| 2 | 1014072 | Movable-Face Assembly with Bushing | 1 |
| 3 | 1014078 | Key, Driven Clutch | 1 |
| 4 | 1014080 | Ring, Retaining | 1 |
| 5 | 1014454 | Kit, Driven Clutch Button (includes items 6 and 7) | 1 |
| 6 | 1012836 | Screw, #8-32 X 3/4, Socket-Head Cap | 3 |
| 7 | N/A | Button, Drive | 3 |
| 8 | 1017686 | Cam, Driven Clutch | 1 |
| 9 | 103975301 | Sheave, Fixed, Driven, Wr | 1 |
| 10 | 104025101 | Washer, Acetal, Driven Clutch | 1 |
| 11 | 47600218001 | Spring, Drvn Clutch, Ccw, Blk | 1 |
| 12 | 47601767002 | Asm, Clutch, Driven, Ccw, Red | 1 |
| 13 | 47601832001 | Spring, Drvn Clutch, Ccw, Red | 1 |
| 14 | AM10419 | Kit, Clutch Repair (includes items 15 through 17) | 1 |
| 15 | 101833401 | Key, 3/16 Sq X 1.50" | 1 |
| 16 | 102155801 | Washer, Driven Clutch | 1 |
| 17 | 102242101 | Screw, 5/16-18 X 3/4 Hex-Head with Patch | 1 |
| Note: Item 11 is only applicable to item 1. Item 13 is only applicable to item 12. All other details apply to both driven clutch assemblies. | | | |

11

G

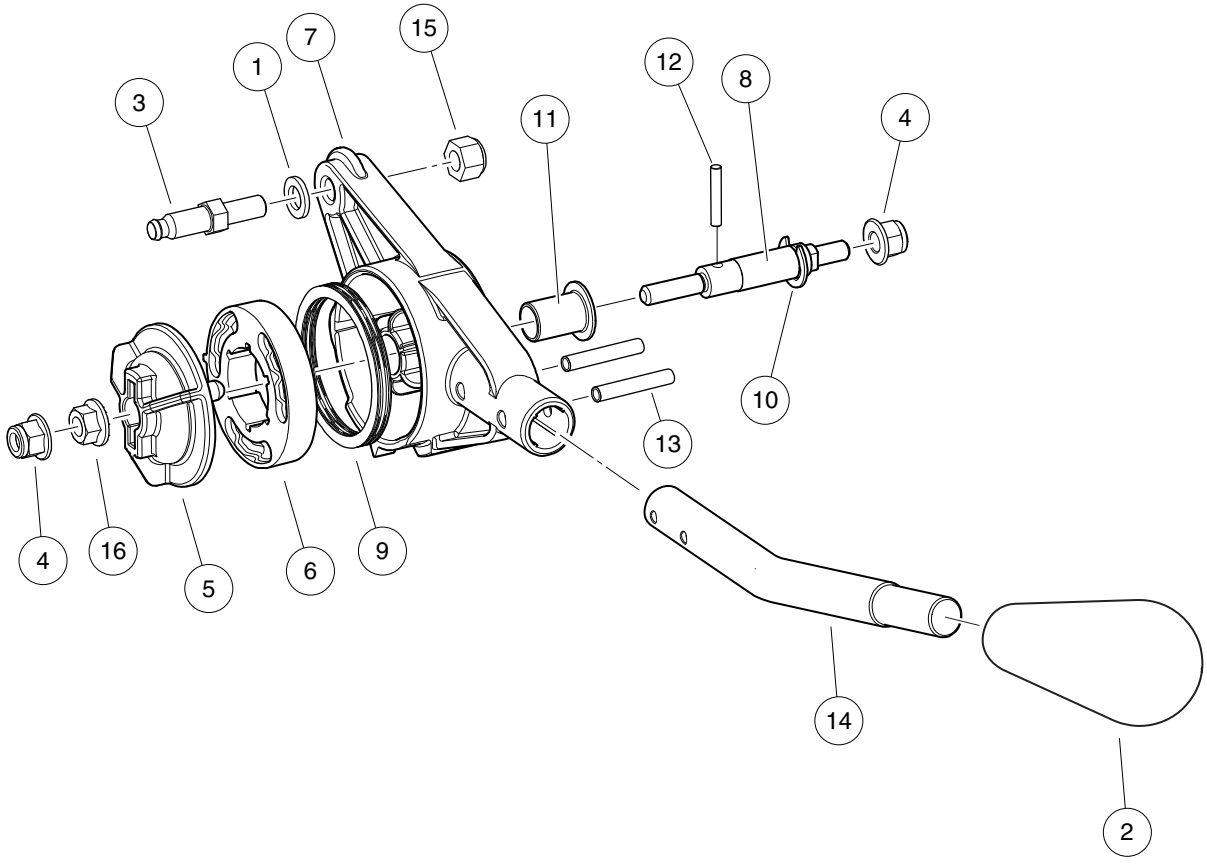
11

G

TRANSAXLE (FUJI ED65) – EFI GASOLINE VEHICLES

12

G

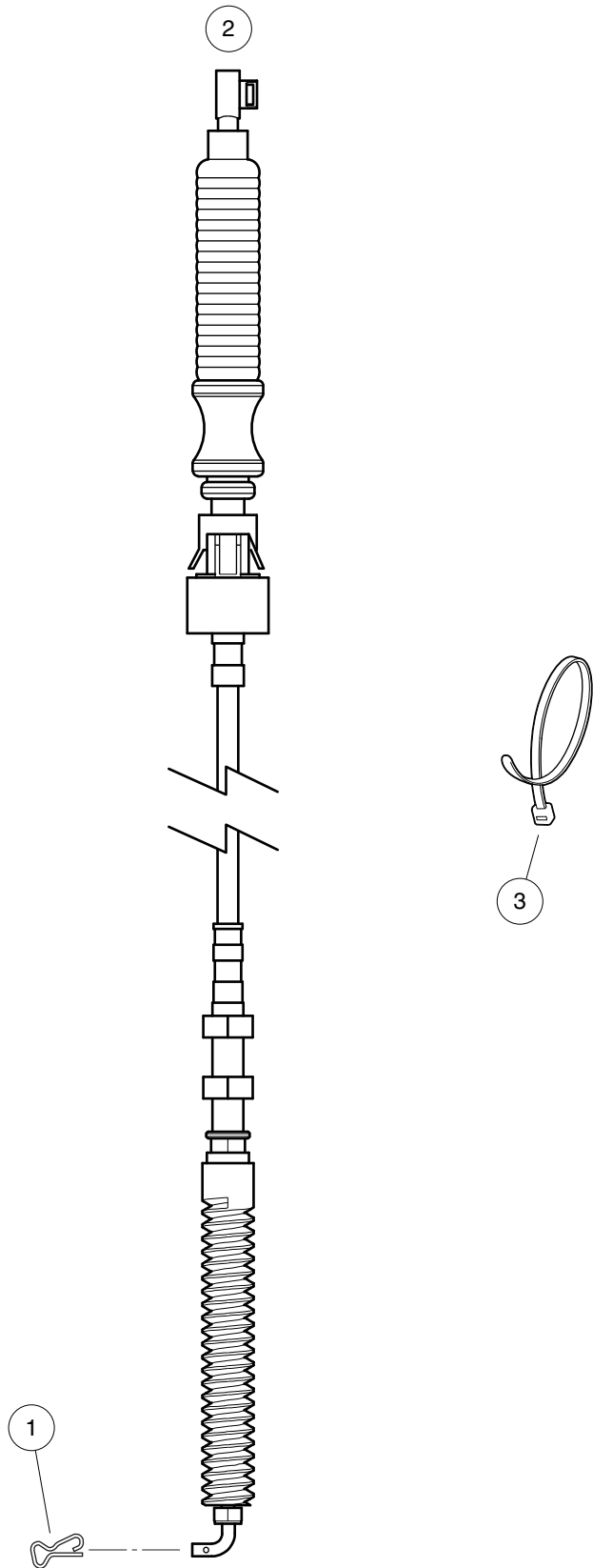


001011-001

FORWARD/REVERSE SHIFTER – EFI VILLAGER 6, 8, 850, 850SE

| ITEM | PART NO. | DESCRIPTION | QTY |
|------|-----------|--------------------------------------|-----|
| | | 1 2 3 4 | |
| 1 | 1014007 | Washer, 1/4, Flat | 1 |
| 2 | 102376001 | Knob, FNR, Shifter | 1 |
| 3 | 102526201 | Stud, Thread, 1/4-28 | 1 |
| 4 | 102621501 | Nut, Flange, M6 X 1.0, Nylon | 2 |
| 5 | 105037701 | Follower, FNR Detent | 1 |
| 6 | 105038001 | Cam, FNR Detent, Alternate | 1 |
| 7 | 105038101 | Housing, FNR, Gas, CA300-700 | 1 |
| 8 | 105038201 | Shaft, FNR, Dash | 1 |
| 9 | 105038501 | Spring, Wave, Gas FNR Shifter | 1 |
| 10 | 105039801 | E-Clip, External, 8mm Groove | 1 |
| 11 | 105039901 | Bushing, Dash Shifter, Gas | 1 |
| 12 | 105040401 | Pin, Round, 0.125 Dia x 0.625 | 1 |
| 13 | 105040402 | Pin, Grooved, 0.187 x 0.75 | 2 |
| 14 | 105060601 | Handle, Shift, EX40, Villager | 1 |
| 15 | 8717 | Locknut, Nylon Insert, 1/4-28 | 1 |
| 16 | 96704176 | Nut, Flanged, M6 X 1, Serrated | 1 |

12
G



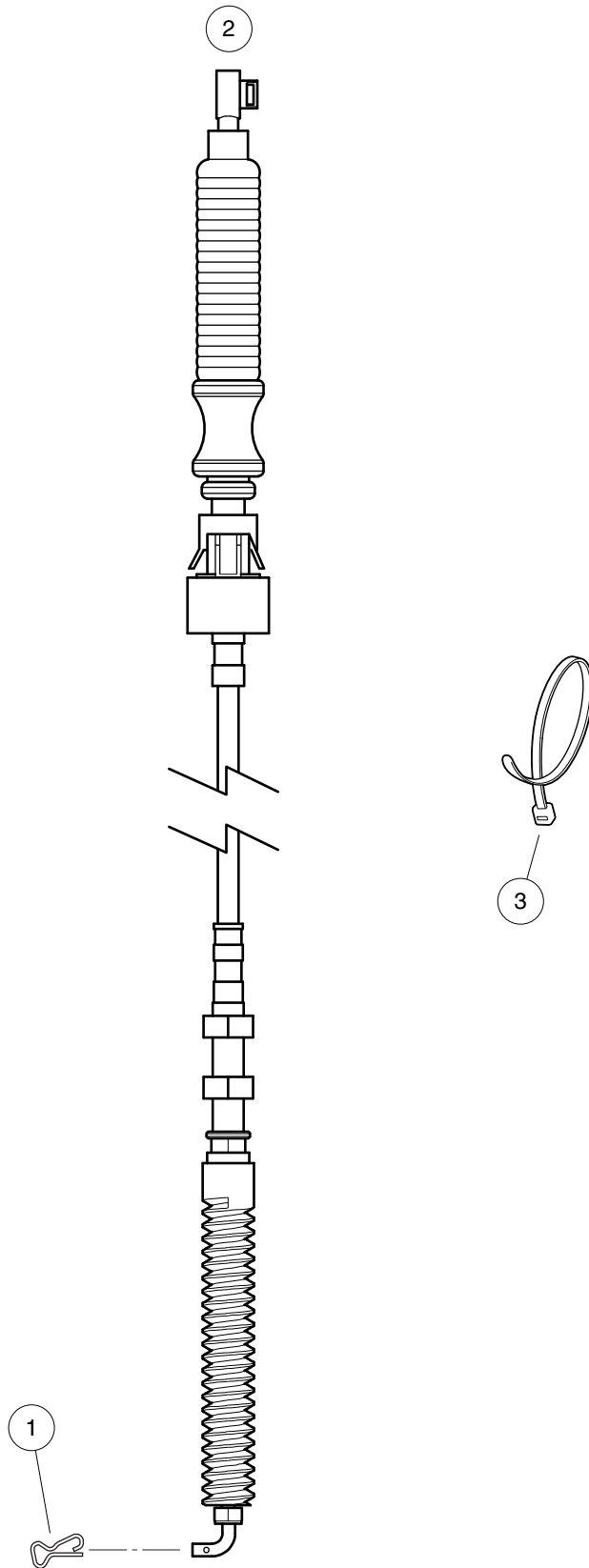
000988-001

SHIFTER CABLE – VILLAGER 6, XRT850SE

| ITEM | PART NO. | DESCRIPTION | QTY |
|------|-----------|---|-----|
| | | 1 2 3 4 | |
| 1 | 103886601 | Clip, Bowtie | 1 |
| 2 | 105038805 | Cable, Shifter, Villager 6/850 SE | 1 |
| 3 | 8990 | Tie Wrap, 8" Nylon | A/R |

12

G



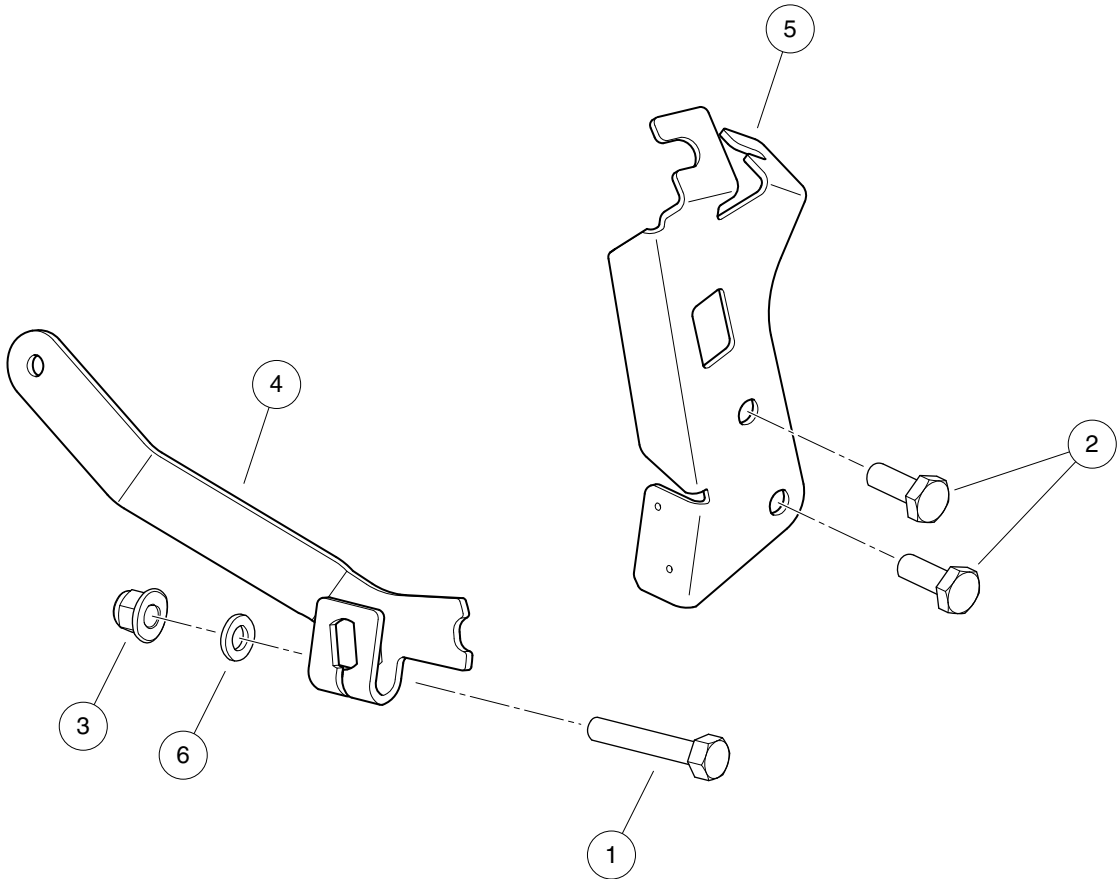
000988-001

SHIFTER CABLE – VILLAGER 8

| ITEM | PART NO. | DESCRIPTION | QTY |
|------|-----------|----------------------------------|-----|
| | | 1 2 3 4 | |
| 1 | 103886601 | Clip, Bowtie | 1 |
| 2 | 105038806 | Cable, Shifter, Villager 8 | 1 |
| 3 | 8990 | Tie Wrap, 8" Nylon | A/R |

12

G

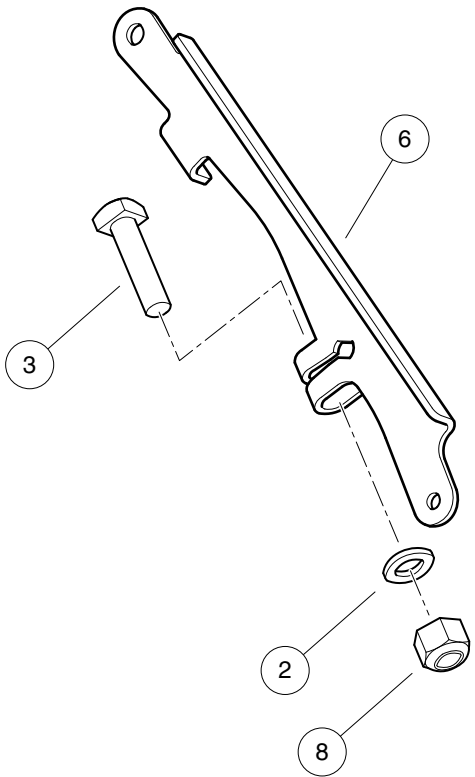
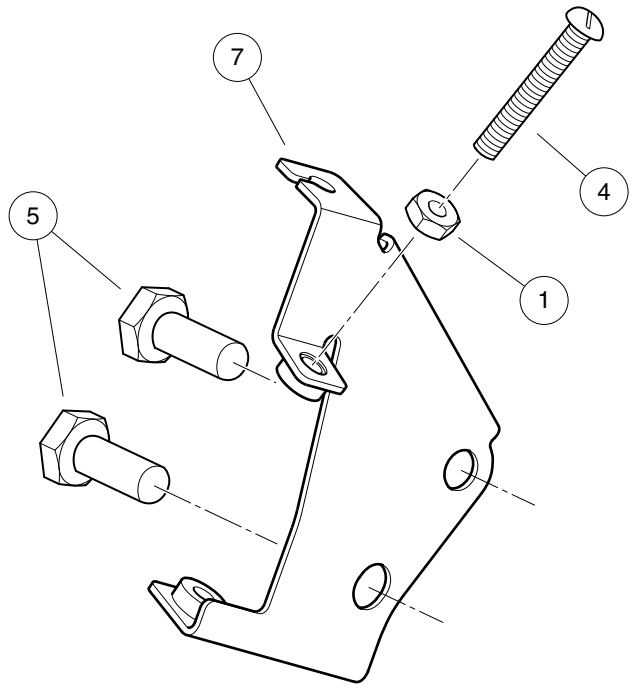


000965-002

SHIFT LEVER AND BRACKET – KEY-START ENGINES

| ITEM | PART NO. | DESCRIPTION | QTY |
|------|-----------|---|-----|
| | | 1 2 3 4 | |
| 1 | 102059501 | Screw, 6M-1.00 X 35mm, Hex Head | 1 |
| 2 | 102498201 | Bolt, M10 X 1.25 X 25, Loctite | 2 |
| 3 | 102621501 | Nut, Flange, M6 X 1.0, Nylon | 1 |
| 4 | 105134901 | Lever, Shift, Transaxle, Key-Start | 1 |
| 5 | 105135101 | Bracket, Cable, FNR/Accelerator, ED65 | 1 |
| 6 | 96705199 | Washer, M6 | 1 |

12
G



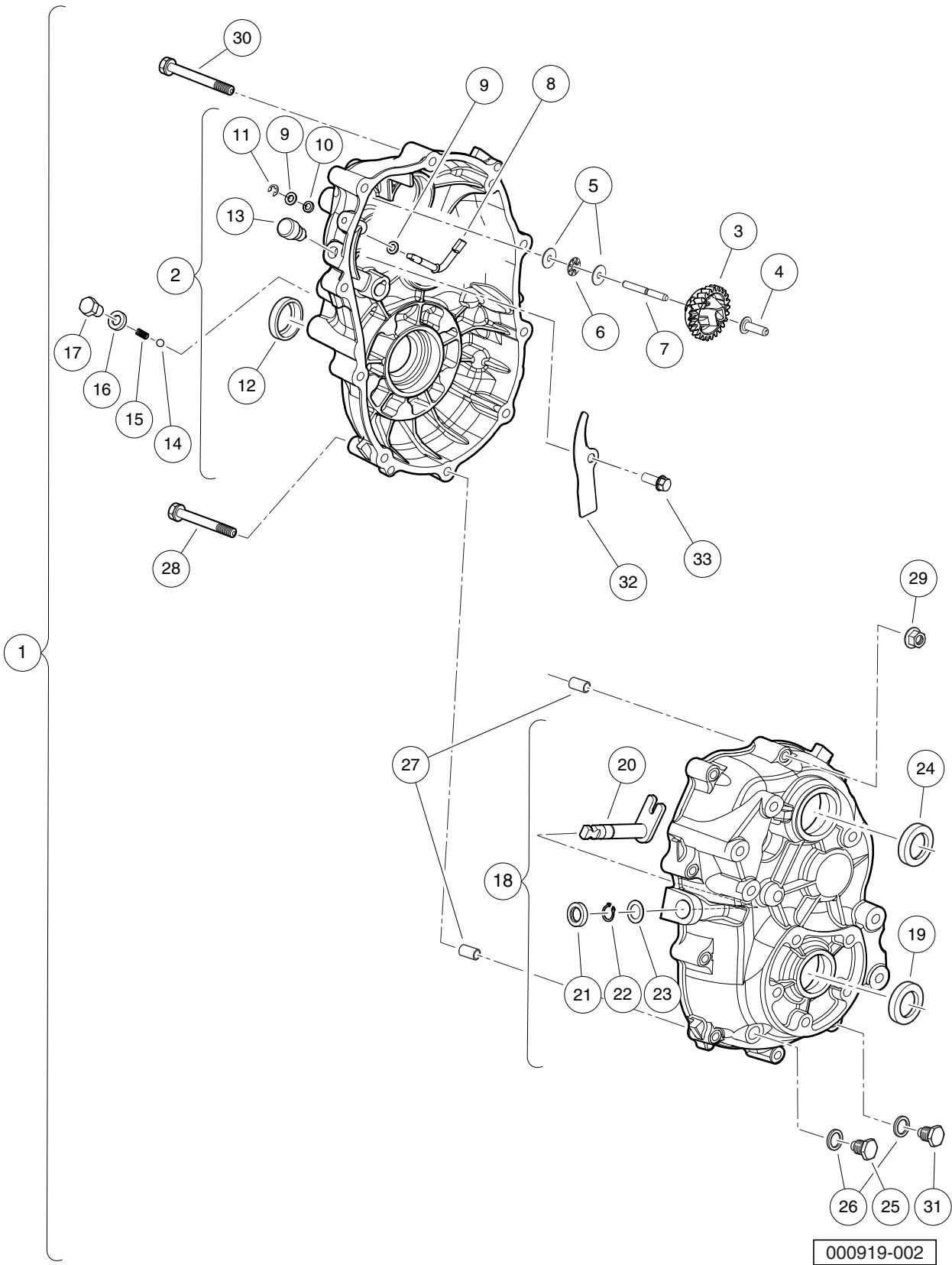
000966-002

GOVERNOR ARM AND BRACKETS – UTILITY VEHICLES

| ITEM | PART NO. | DESCRIPTION | QTY |
|------|-----------|---|-----|
| | | 1 2 3 4 | |
| 1 | 1011114 | Nut, M6-1.00 Hex | 1 |
| 2 | 1014007 | Washer, 1/4, Flat | 1 |
| 3 | 101886101 | Screw, 1/4-20 X 1.00, Square-Head | 1 |
| 4 | 102476401 | Bolt, Stop, Pedal | 1 |
| 5 | 102498201 | Bolt, M10 X 1.25 X 25, Loctite | 2 |
| 6 | 104023501 | Arm, Governor, ED65 | 1 |
| 7 | 105144401 | Weldment, Governor Bracket | 1 |
| 8 | 8233 | Locknut, 1/4-20, Nylon Insert | 1 |

12

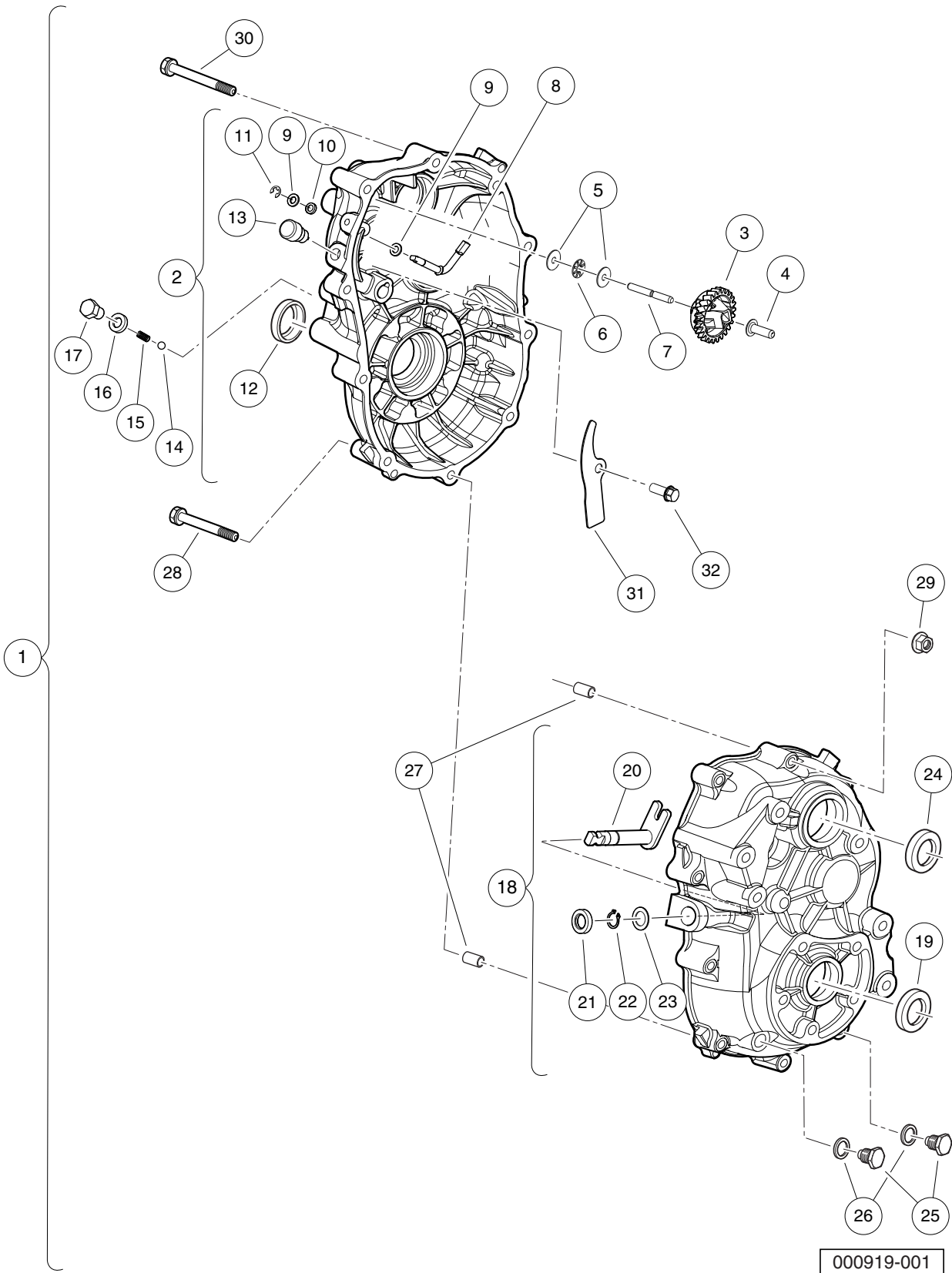
G



TRANSAXLE (ED65), LIMITED SLIP – PAGE 1 OF 3

| ITEM | PART NO. | DESCRIPTION | QTY |
|------|-----------|--|-----|
| | | 1 2 3 4 | |
| 1 | 103879702 | Transaxle, ED65, Limited-Slip Differential (includes items 2 through 33) | 1 |
| 2 | 105025001 | Case, Transaxle, Left, Complete, ED65 (includes items 3 through 13) | 1 |
| 3 | 105025101 | Gear, Governor, Complete, ED65 | 1 |
| 4 | 105025201 | Sleeve, Governor, ED65 | 1 |
| 5 | 105025301 | Washer, ED65 | 2 |
| 6 | 105025401 | Bearing, Thrust, ED65 | 1 |
| 7 | 105025501 | Shaft, Governor Gear, ED65 | 1 |
| 8 | 105025601 | Shaft, Governor, ED65 | 1 |
| 9 | 105025701 | Washer, 6mm, ED65 | 2 |
| 10 | 105025801 | Seal, Oil, 6x10x2.5, ED65 | 1 |
| 11 | 105025901 | Retaining Ring, E5, ED65 | 1 |
| 12 | 105026001 | Seal, Oil, 24x40x9, ED65 | 1 |
| 13 | 105027101 | Vent, Breather, ED65 | 1 |
| 14 | 105026101 | Ball, Steel, ED65 | 1 |
| 15 | 105026201 | Spring, ED65 | 1 |
| 16 | 105026301 | Gasket, 10, ED65 | 1 |
| 17 | 105026401 | Bolt, M10-1.25x12mm Lg, ED65 | 1 |
| 18 | 105026501 | Case, Transaxle, Right, Complete, ED65 (includes items 19 through 24) | 1 |
| 19 | 105026001 | Seal, Oil, 24x40x9, ED65 | 1 |
| 20 | 105026601 | Shaft, Select, ED65 | 1 |
| 21 | 105026701 | Seal, Oil, 13x22x5, ED65 | 1 |
| 22 | 105026801 | Snap Ring, 13mm, ED65 | 1 |
| 23 | 105026901 | Spacer, 13x1, ED65 | 1 |
| 24 | 105027001 | Seal, Oil, 25x45x7, ED65 | 1 |
| 25 | 105027201 | Plug, Oil Drain, ED65 | 1 |
| 26 | 105027301 | Gasket, 14, ED65 | 2 |
| 27 | 105028301 | Pin, Guide, ED65 | 2 |
| 28 | 105028501 | Bolt, Flange, M8-1.25x65mm, ED65 | 1 |
| 29 | 105030001 | Nut, Flange, M8-1.25, ED65 | 10 |
| 30 | 105030701 | Bolt, Flanged, M8-1.25x80mm, ED65 | 9 |
| 31 | 105063501 | Plug, Oil Drain, Magnetic, ED65 | 1 |
| 32 | 105234801 | Plate, Ed65 Splash | 1 |
| 33 | 105234901 | Bolt, M6-1 X 12mm Lg, Ed65 | 1 |
| | | Note: Fuji transaxle component listings span three pages. To identify your transaxle, locate the serial number decal on the axle tube. | |

12
G

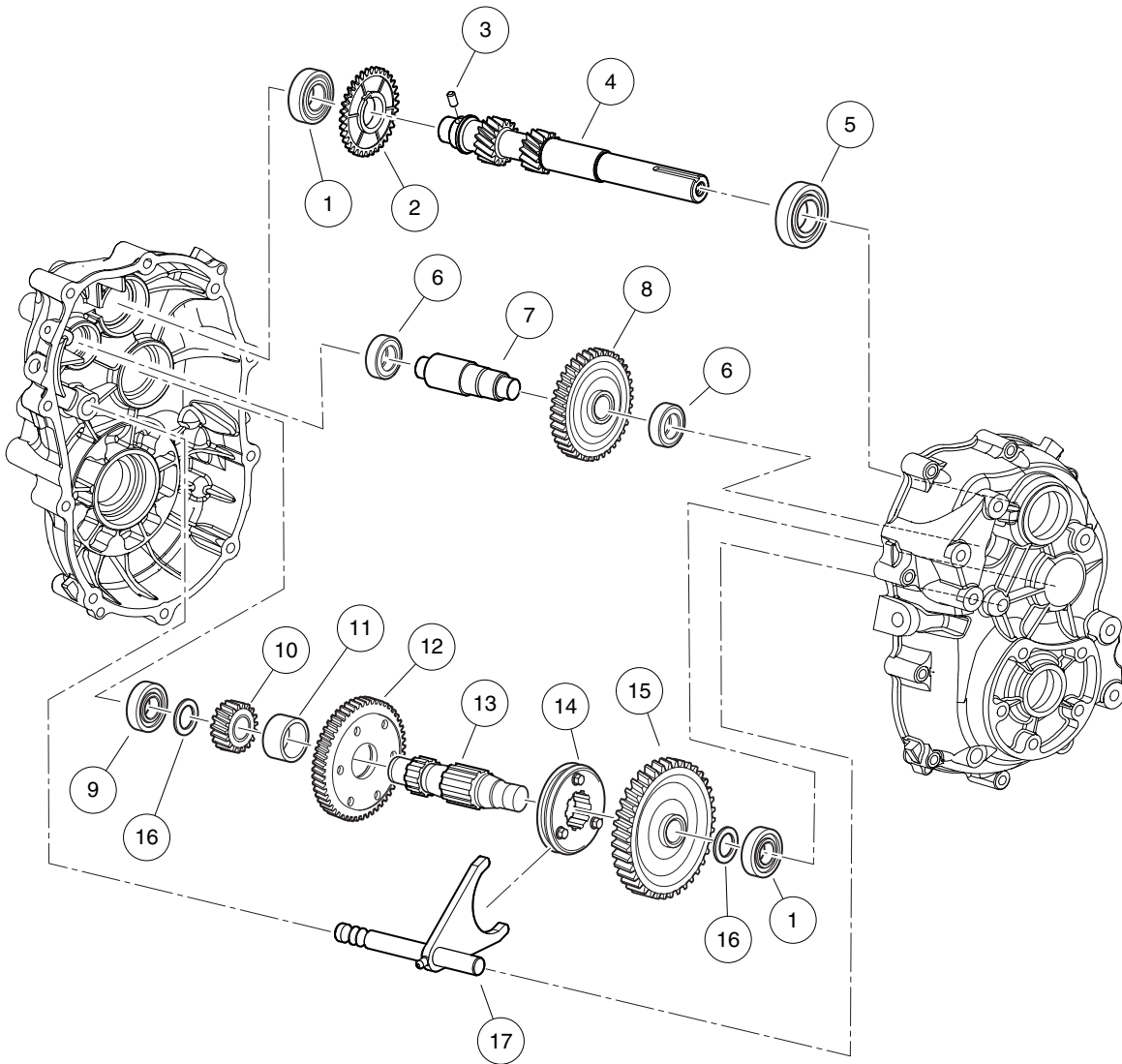


TRANSAXLE (ED65), OPEN – PAGE 1 OF 3

| ITEM | PART NO. | DESCRIPTION | QTY |
|---|-----------|---|-----|
| | | 1 2 3 4 | |
| 1 | 103879701 | Transaxle, ED65, Open Differential (includes items 2 through 32) | 1 |
| 2 | 105025001 | Case, Transaxle, Left, Complete, ED65 (includes items 3 through 13) | 1 |
| 3 | 105025101 | Gear, Governor, Complete, ED65 | 1 |
| 4 | 105025201 | Sleeve, Governor, ED65 | 1 |
| 5 | 105025301 | Washer, ED65 | 2 |
| 6 | 105025401 | Bearing, Thrust, ED65 | 1 |
| 7 | 105025501 | Shaft, Governor Gear, ED65 | 1 |
| 8 | 105025601 | Shaft, Governor, ED65 | 1 |
| 9 | 105025701 | Washer, 6mm, ED65 | 2 |
| 10 | 105025801 | Seal, Oil, 6x10x2.5, ED65 | 1 |
| 11 | 105025901 | Retaining Ring, E5, ED65 | 1 |
| 12 | 105026001 | Seal, Oil, 24x40x9, ED65 | 1 |
| 13 | 105027101 | Vent, Breather, ED65 | 1 |
| 14 | 105026101 | Ball, Steel, ED65 | 1 |
| 15 | 105026201 | Spring, ED65 | 1 |
| 16 | 105026301 | Gasket, 10, ED65 | 1 |
| 17 | 105026401 | Bolt, M10-1.25x12mm Lg, ED65 | 1 |
| 18 | 105026501 | Case, Transaxle, Right, Complete, ED65 (includes items 19 through 24) | 1 |
| 19 | 105026001 | Seal, Oil, 24x40x9, ED65 | 1 |
| 20 | 105026601 | Shaft, Select, ED65 | 1 |
| 21 | 105026701 | Seal, Oil, 13x22x5, ED65 | 1 |
| 22 | 105026801 | Snap Ring, 13mm, ED65 | 1 |
| 23 | 105026901 | Spacer, 13x1, ED65 | 1 |
| 24 | 105027001 | Seal, Oil, 25x45x7, ED65 | 1 |
| 25 | 105027201 | Plug, Oil Drain, ED65 | 2 |
| 26 | 105027301 | Gasket, 14, ED65 | 2 |
| 27 | 105028301 | Pin, Guide, ED65 | 2 |
| 28 | 105028501 | Bolt, Flange, M8-1.25x65mm, ED65 | 1 |
| 29 | 105030001 | Nut, Flange, M8-1.25, ED65 | 10 |
| 30 | 105030701 | Bolt, Flanged, M8-1.25x80mm, ED65 | 9 |
| 31 | 105234801 | Plate, Ed65 Splash | 1 |
| 32 | 105234901 | Bolt, M6-1 X 12mm Lg, Ed65 | 1 |
| <p>Note: Fuji transaxle component listings span three pages. To identify your transaxle, locate the serial number decal on the axle tube.</p> | | | |

12

G



000919-003

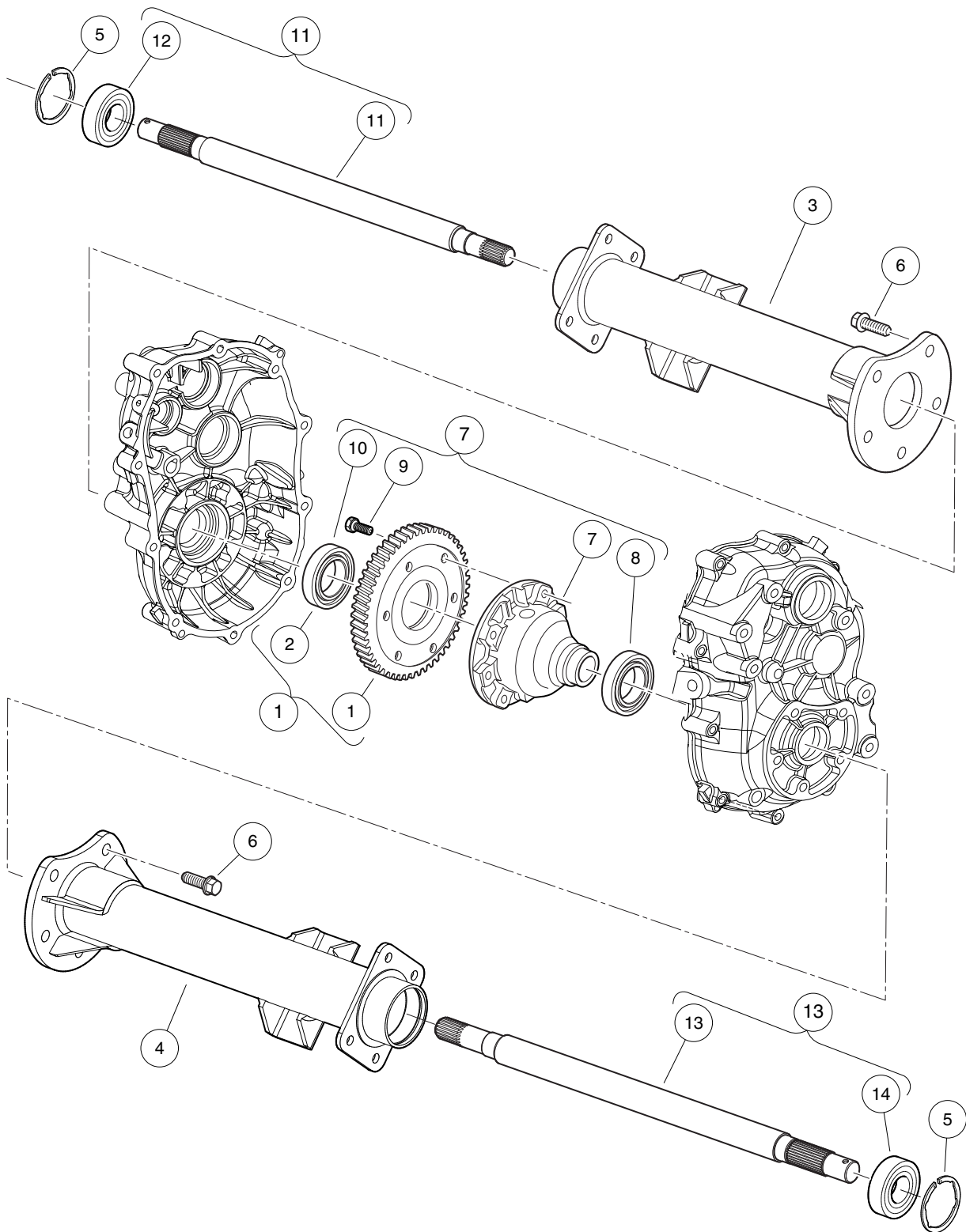
TRANSAXLE (ED65), LIMITED SLIP AND OPEN – PAGE 2 OF 3

| ITEM | PART NO. | DESCRIPTION | QTY |
|------|-----------|---|-----|
| | | 1 2 3 4 | |
| 1 | 105027401 | Bearing, Ball (6204) | 2 |
| 2 | 105027501 | Gear, Governor, 34 Tooth, ED65 | 1 |
| 3 | 105027601 | Pin, 6x12 Long, ED65 | 1 |
| 4 | 105027701 | Shaft, Input, ED65 | 1 |
| 5 | 105027801 | Bearing, Ball (6205 seal) | 1 |
| 6 | 105027901 | Bearing, Ball (6202) | 2 |
| 7 | 105028001 | Shaft, Counter, ED65 | 1 |
| 8 | 105028201 | Gear, 34 Tooth, ED65 | 1 |
| 9 | 105028401 | Bearing, Ball (6304) | 1 |
| 10 | 105028601 | Gear, 17 Tooth, ED65 | 1 |
| 11 | 105028701 | Collar, 24 x 12, ED65 | 1 |
| 12 | 105028801 | Gear, 52 Tooth, ED65 | 1 |
| 13 | 105028901 | Shaft, Center, ED65 | 1 |
| 14 | 105029001 | Clutch, Pin, ED65 | 1 |
| 15 | 105029101 | Gear, 62 Tooth, ED65 | 1 |
| 16 | 105029201 | Spacer, 20x2, ED65 | 2 |
| 17 | 105030901 | Shaft, Shift, ED65 | 1 |
| | | <p>Note: To identify your transaxle, locate the serial number decal on the axle tube.</p> | |

12

G

12
G



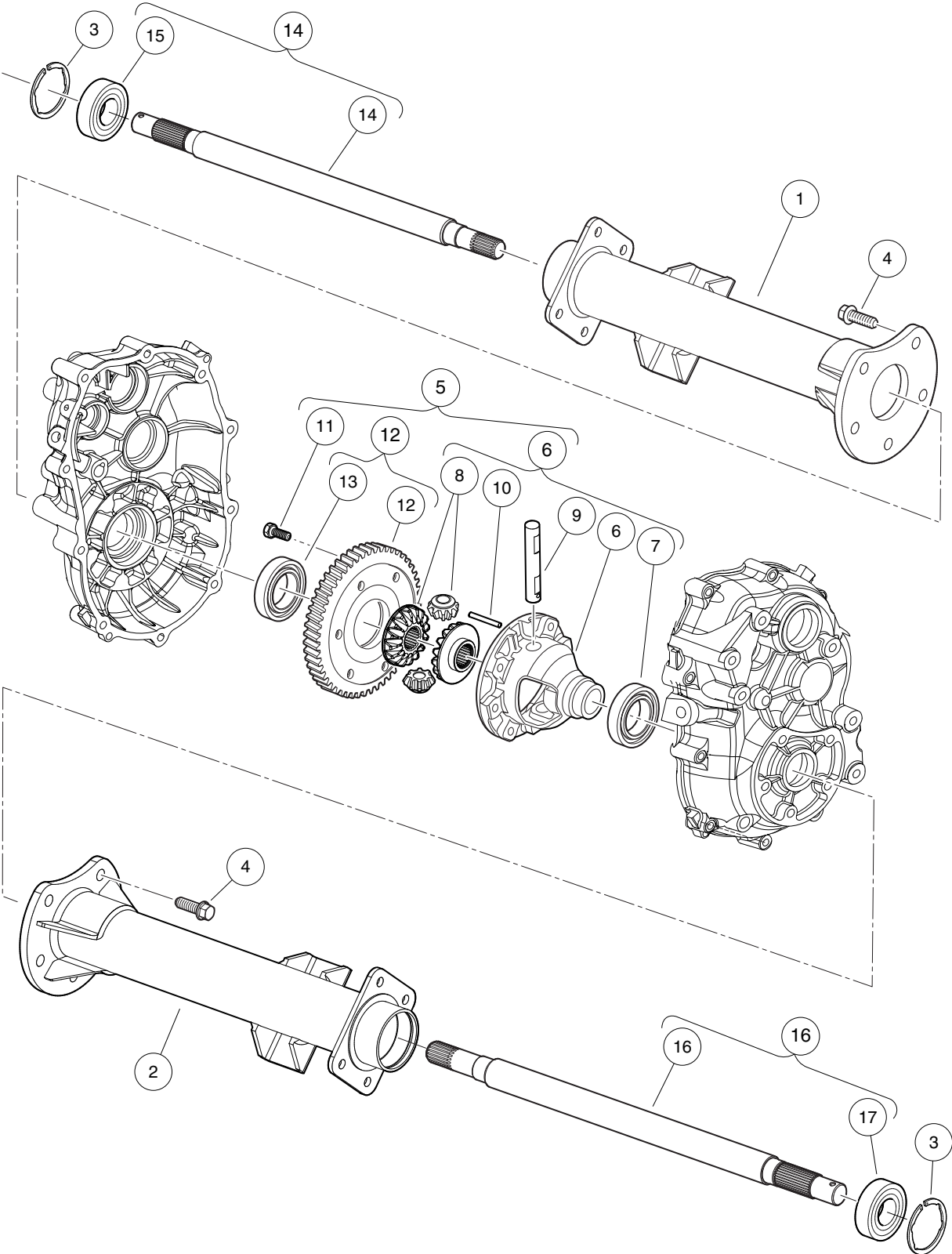
000919-005

TRANSAXLE (ED65), LIMITED SLIP – PAGE 3 OF 3

| ITEM | PART NO. | DESCRIPTION | QTY |
|------|-----------|---|-----|
| | | 1 2 3 4 | |
| 1 | 105029901 | Gear, 60 Tooth, Complete, ED65 (includes item 2) | 1 |
| 2 | 105029801 | Bearing, Ball (6007) | 1 |
| 3 | 105030401 | Axle Tube, Driver-Side, ED65 | 1 |
| 4 | 105030501 | Axle Tube, Passenger-Side, ED65 | 1 |
| 5 | 105030601 | Snap Ring, 52mm, ED65 | 2 |
| 6 | 105030801 | Bolt, Flange, M10-1.25x25, ED65 | 10 |
| 7 | 105063601 | Differential, Limited-Slip, ED65 (includes items 8 through 10) | 1 |
| 8 | 105028101 | Bearing, Ball (6006) | 1 |
| 9 | 105029501 | Bolt, M10-1.25x26mm Lg, ED65 | 6 |
| 10 | 105029801 | Bearing, Ball (6007) | 1 |
| 11 | 105066001 | Axle Shaft, Driver-Side, Complete, ED65 (includes item 12) | 1 |
| 12 | 105030301 | Bearing, Ball (6205DD) | 1 |
| 13 | 105066101 | Axle Shaft, Passenger-Side, Complete, ED65 (includes item 14) | 1 |
| 14 | 105030301 | Bearing, Ball (6205DD) | 1 |
| | | <p>Note: To identify your transaxle, locate the serial number decal on the axle tube.</p> | |

12

G



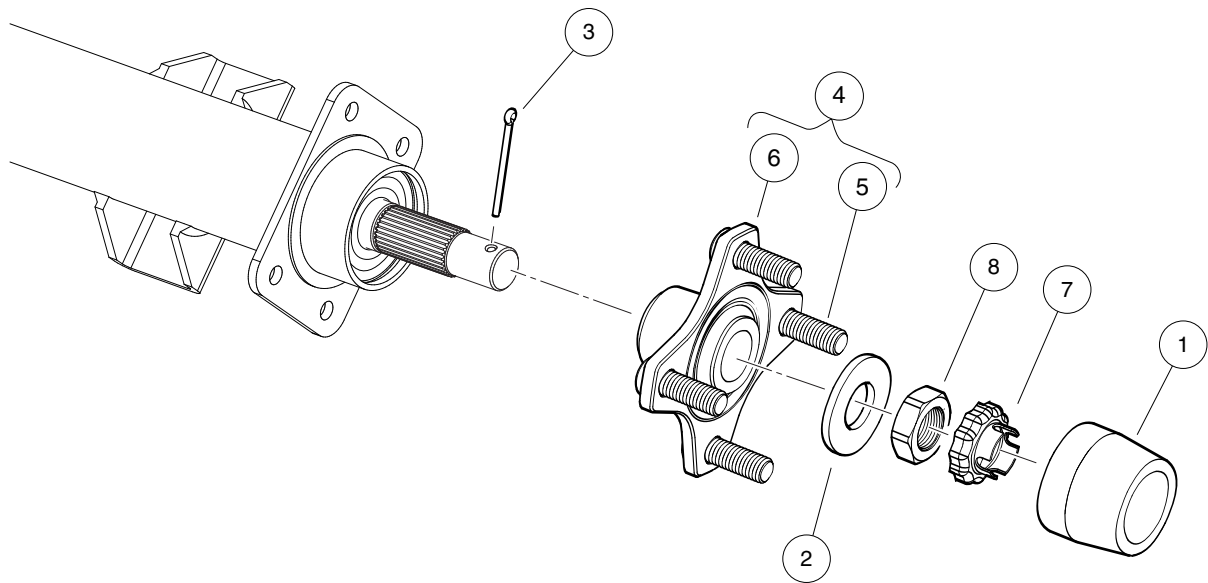
000919-004

TRANSAXLE (ED65), OPEN – PAGE 3 OF 3

| ITEM | PART NO. | DESCRIPTION | QTY |
|--|-----------|--|-----|
| | | 1 2 3 4 | |
| 1 | 105030401 | Axle Tube, Driver-Side, ED65 | 1 |
| 2 | 105030501 | Axle Tube, Passenger-Side, ED65 | 1 |
| 3 | 105030601 | Snap Ring, 52mm, ED65 | 2 |
| 4 | 105030801 | Bolt, Flange, M10-1.25x25, ED65 | 10 |
| 5 | 105031001 | Differential, Open, ED65 (includes items 6 through 12) | 1 |
| 6 | 105029301 | Case, Differential, Complete, ED65 (includes items 7 through 10) | 1 |
| 7 | 105028101 | Bearing, Ball (6006) | 1 |
| 8 | 105029401 | Gear Set, Differential, ED65 | 1 |
| 9 | 105029601 | Shaft, Differential, ED65 | 1 |
| 10 | 105029701 | Pin, 4x40 Long, ED65 | 1 |
| 11 | 105029501 | Bolt, M10-1.25x26mm Lg, ED65 | 6 |
| 12 | 105029901 | Gear, 60 Tooth, Complete, ED65 (includes item 13) | 1 |
| 13 | 105029801 | Bearing, Ball (6007) | 1 |
| 14 | 105066001 | Axle Shaft, Driver-Side, Complete, ED65 (includes item 15) | 1 |
| 15 | 105030301 | Bearing, Ball (6205DD) | 1 |
| 16 | 105066101 | Axle Shaft, Passenger-Side, Complete, ED65 (includes item 17) | 1 |
| 17 | 105030301 | Bearing, Ball (6205DD) | 1 |
| <p style="margin-left: 40px;">Note: To identify your transaxle, locate the serial number decal on the axle tube.</p> | | | |

12

G



000919-006

HUB, REAR

| ITEM | PART NO. | DESCRIPTION | QTY |
|------|-----------|---|-----|
| | | 1 2 3 4 | |
| 1 | 102274101 | Center Cap, Rubber | 2 |
| 2 | 102617801 | Washer, Hard, M22 | 2 |
| 3 | 103989501 | Pin, Cotter, 9/64 X 1.75" | 2 |
| 4 | 103995001 | Asm, Hub, Machined (includes items 5 and 6) | 2 |
| 5 | 103951501 | Lug Stud, 1/2-20 UNF, SAE J1102 | 4 |
| 6 | 103979301 | Hub, Machined | 1 |
| 7 | 104021701 | Retaining Ring, Hex Nut, M22 | 2 |
| 8 | 104027101 | Nut, Hex, M22x1.5, Thin | 2 |

12
G

12

G

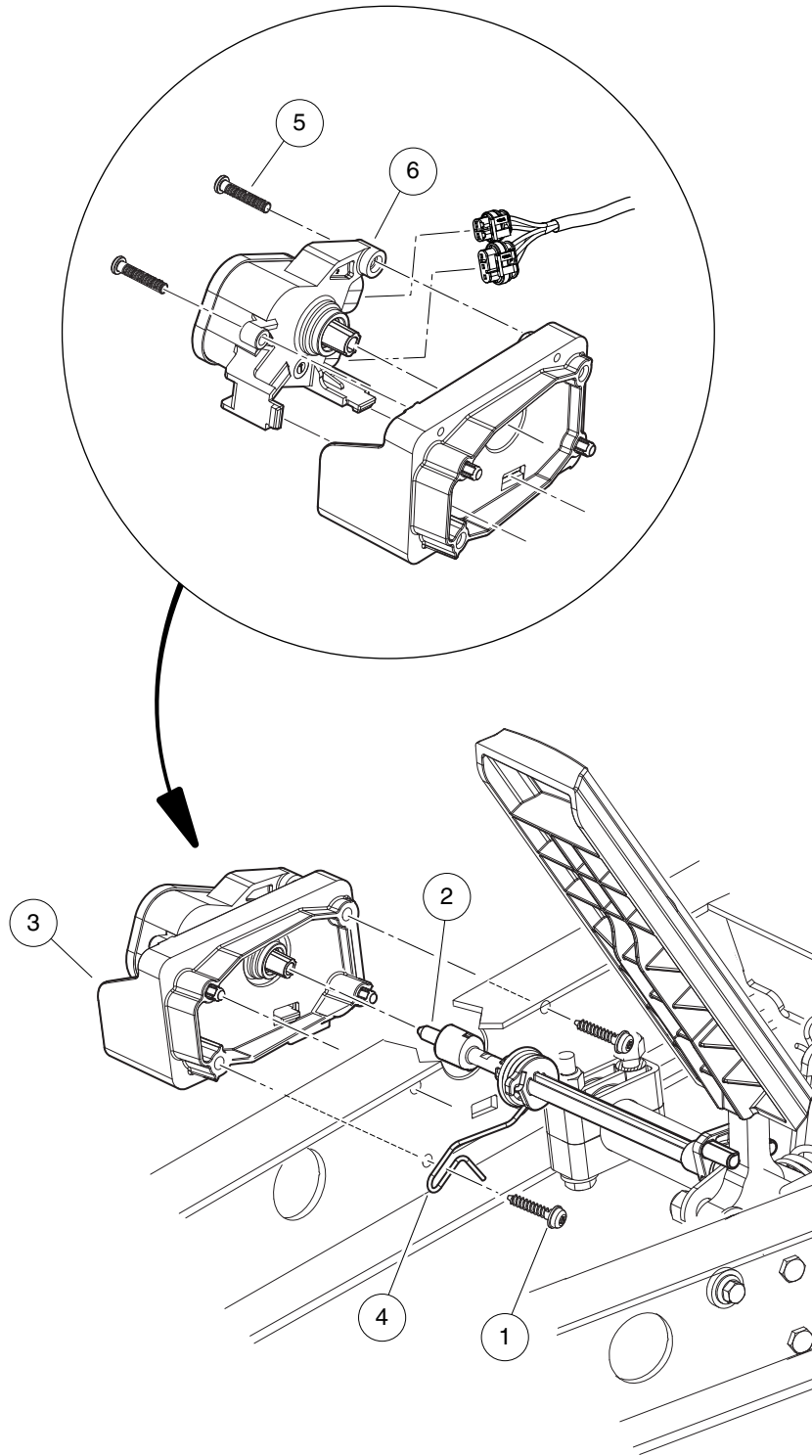
ELECTRICAL SYSTEM, ELECTRIC VEHICLES WITH IQ PLUS CHARGER

13

E

13

E



002522-001

MOTOR CONTROLLER OUTPUT REGULATOR (MCOR)

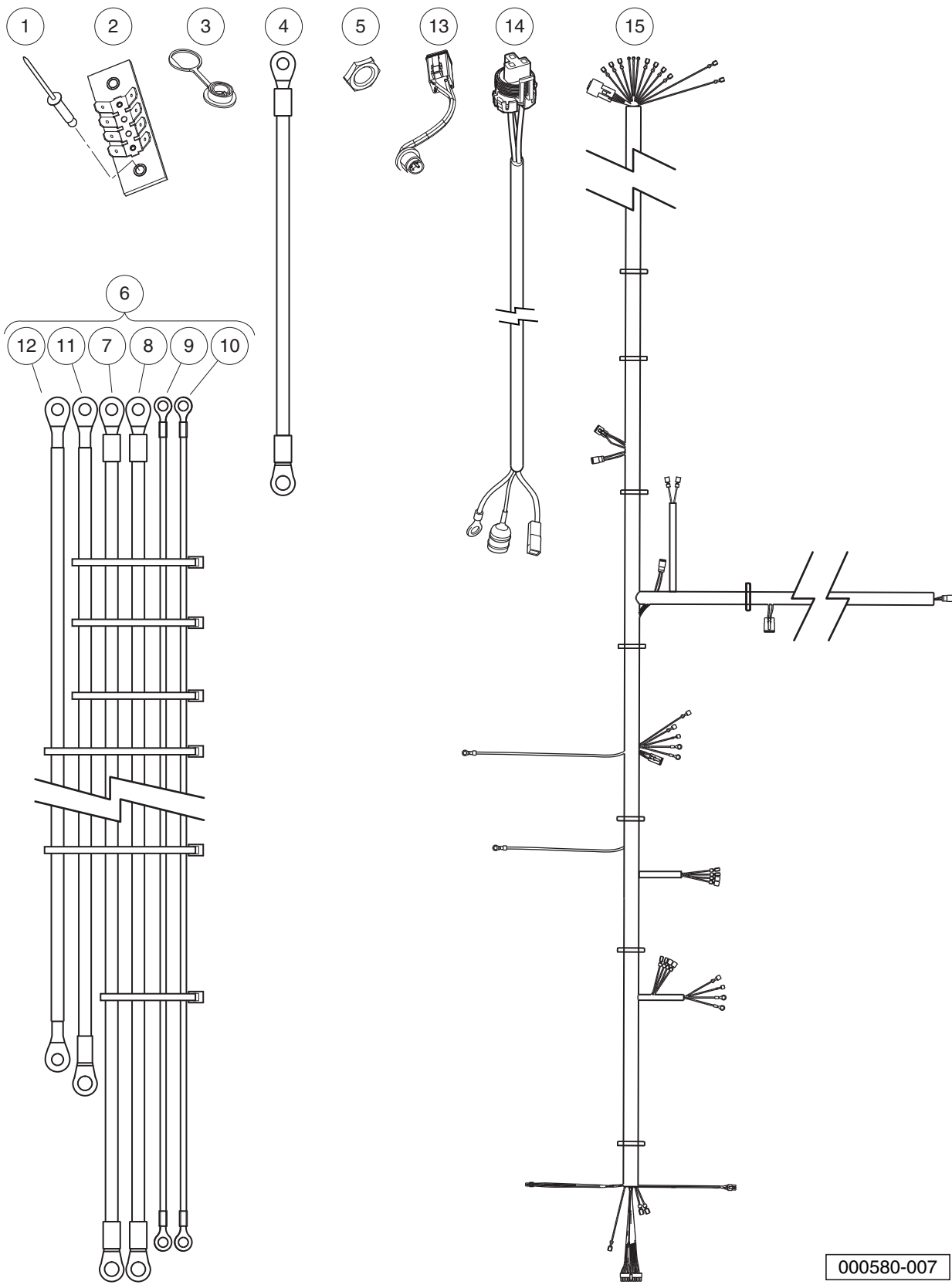
| ITEM | PART NO. | DESCRIPTION | QTY |
|------|-----------|---|-----|
| | | 1 2 3 4 | |
| 1 | 102297230 | Screw, M6, Torx, Interlock Thread | 2 |
| 2 | 103902101 | Bar, Drive, Cast | 1 |
| 3 | 103902301 | Housing, Mcor | 1 |
| 4 | 103902401 | Spring, Torsion | 1 |
| 5 | 103943401 | Screw, Pan, #10 X 1.00 Hi-lo | 2 |
| 6 | 105116301 | MCOR4, Type 16 Switch | 1 |

13

E

13

E



000580-007

WIRING – VILLAGER 6 AND TRANSPORTER IQ PLUS ELECTRIC

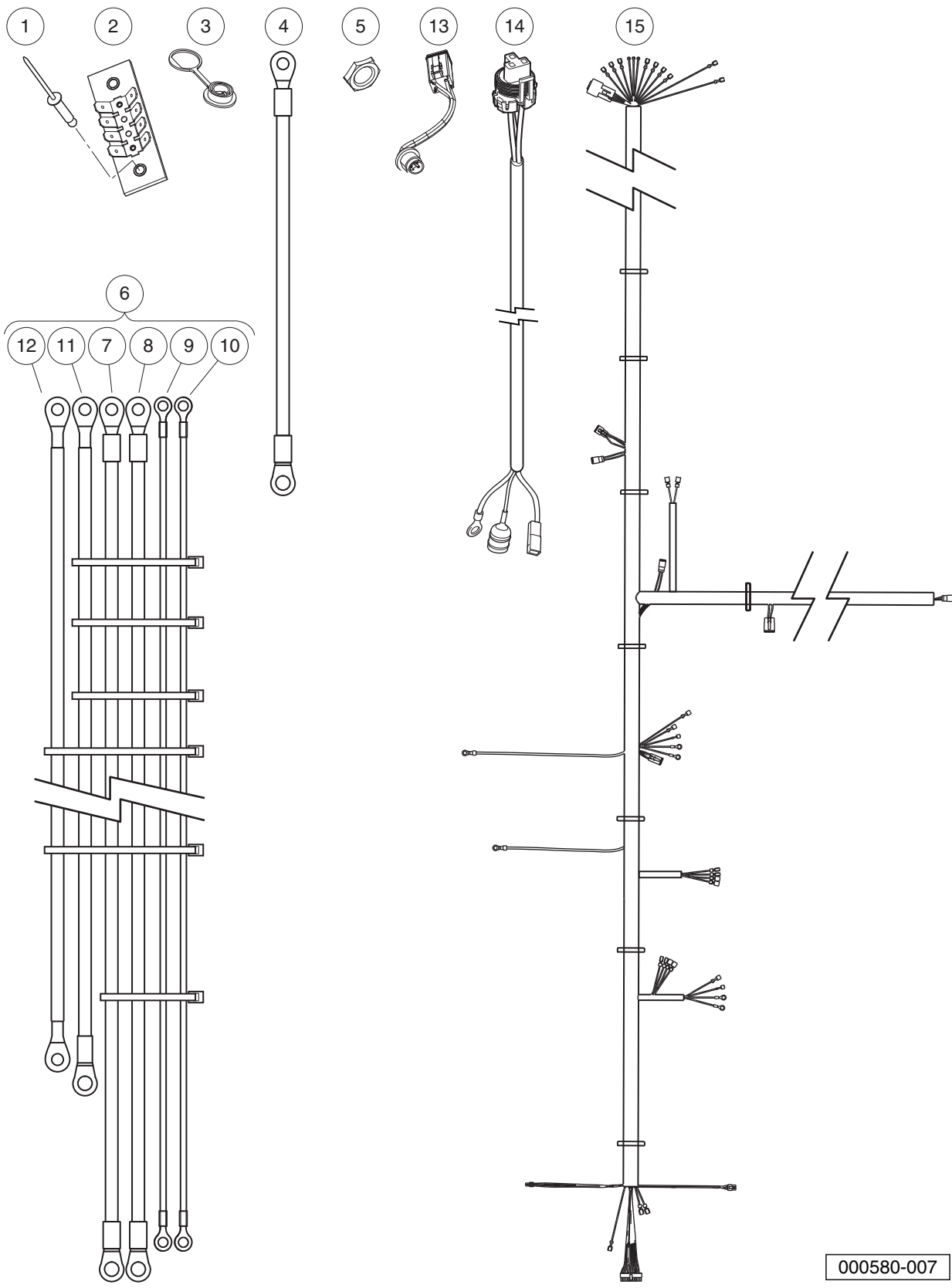
| ITEM | PART NO. | DESCRIPTION | QTY |
|------|-----------|---|-----|
| | | 1 2 3 4 | |
| 1 | 1013357 | Rivet, 5/32 Aluminum Pop | 2 |
| 2 | 1016356 | Terminal Block with Insulator | 1 |
| 3 | 102196901 | Dust Cap | 1 |
| 4 | 102440901 | Wire Asm, #4 Yellow, 13" | 1 |
| 5 | 102572401 | Nut, Diagnostic Port | 1 |
| 6 | 102845501 | Harness, Power, Stretch IQ Plus (includes items 7 through 12) | 1 |
| 7 | N/A | Asm, #4 Grn Wire, 89" | 1 |
| 8 | N/A | Asm, #4 Wht Wire, 88.5" | 1 |
| 9 | N/A | Asm, #10 Org Wire, 89.5" | 1 |
| 10 | N/A | Asm, #10 Blu Wire, 95.5" | 1 |
| 11 | N/A | Asm, #4 Red Wire, 67.5" | 1 |
| 12 | N/A | Asm, #4 Blk Wire, 57.5" | 1 |
| 13 | 103218601 | Harness, Diagnostic Port | 1 |
| 14 | 103772101 | Charg Harness lqplus,shelf 480 | 1 |
| 15 | 103940701 | Harness, Wire, CA6, Vill 6, IQ Plus, MCOR3/4 | 1 |
| | | Note: Wire Harness (item 15) is for use with MCOR3 and MCOR4. | |

13

E

13

E



000580-007

WIRING – VILLAGER 8 IQ PLUS ELECTRIC

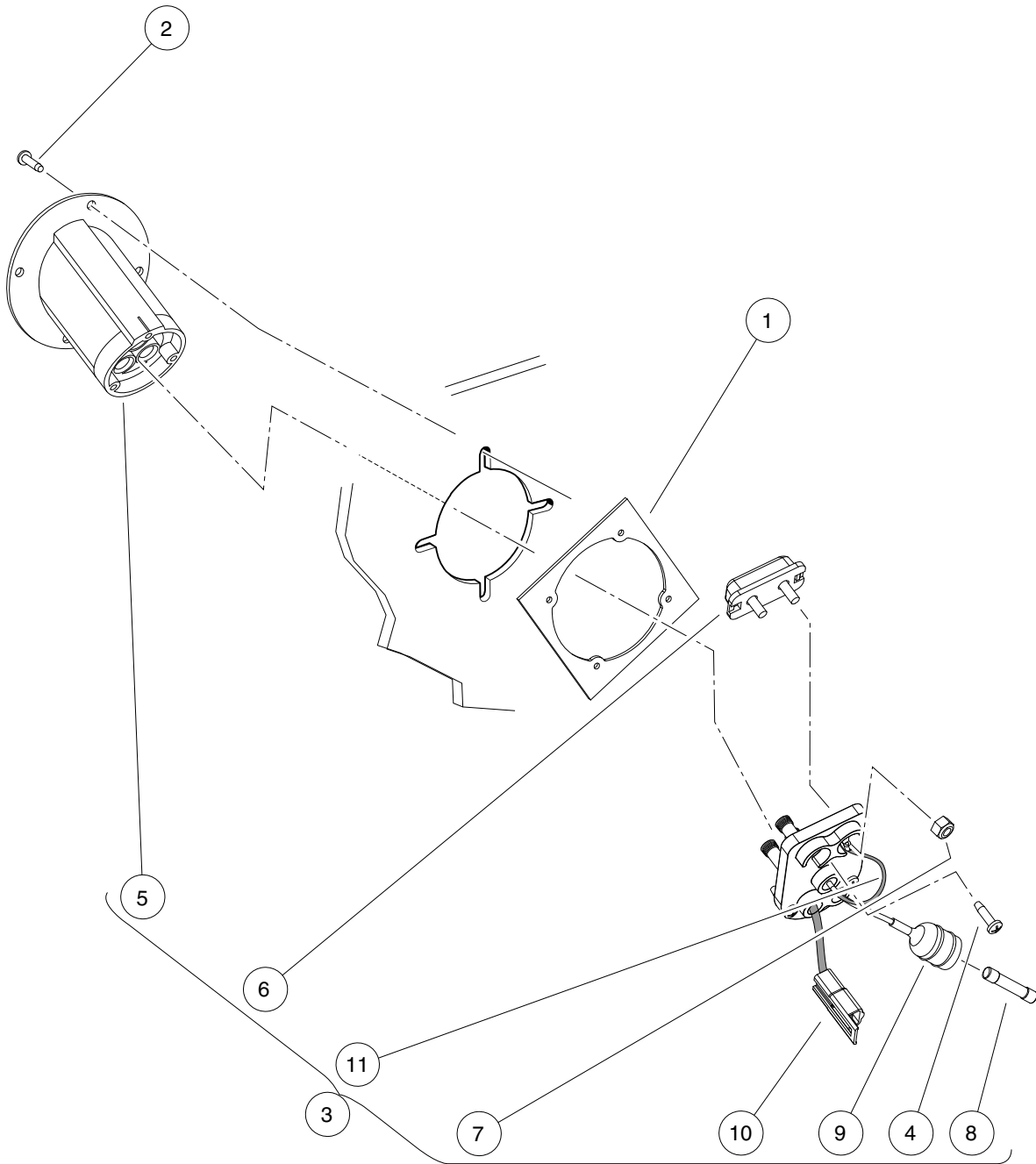
| ITEM | PART NO. | DESCRIPTION | QTY |
|------|-----------|---|-----|
| | | 1 2 3 4 | |
| 1 | 1013357 | Rivet, 5/32 Aluminum Pop | 2 |
| 2 | 1016356 | Terminal Block with Insulator | 1 |
| 3 | 102196901 | Dust Cap | 1 |
| 4 | 102440901 | Wire Asm, #4 Yellow, 13" | 1 |
| 5 | 102572401 | Nut, Diagnostic Port | 1 |
| 6 | 102845501 | Harness, Power, Stretch IQ Plus (includes items 7 through 12) | 1 |
| 7 | N/A | Asm, #4 Grn Wire, 89" | 1 |
| 8 | N/A | Asm, #4 Wht Wire, 88.5" | 1 |
| 9 | N/A | Asm, #10 Org Wire, 89.5" | 1 |
| 10 | N/A | Asm, #10 Blu Wire, 95.5" | 1 |
| 11 | N/A | Asm, #4 Red Wire, 67.5" | 1 |
| 12 | N/A | Asm, #4 Blk Wire, 57.5" | 1 |
| 13 | 103218601 | Harness, Diagnostic Port | 1 |
| 14 | 103772101 | Charg Harness Iqplus,shelf 480 | 1 |
| 15 | 103940801 | Harness, Vill 8, Iq Plus, Mc3 | 1 |
| | | Note: Wire Harness (item 15) is for use with MCOR3 and MCOR4. | |

13

E

13

E



000369-002

BATTERY CHARGER RECEPTACLE

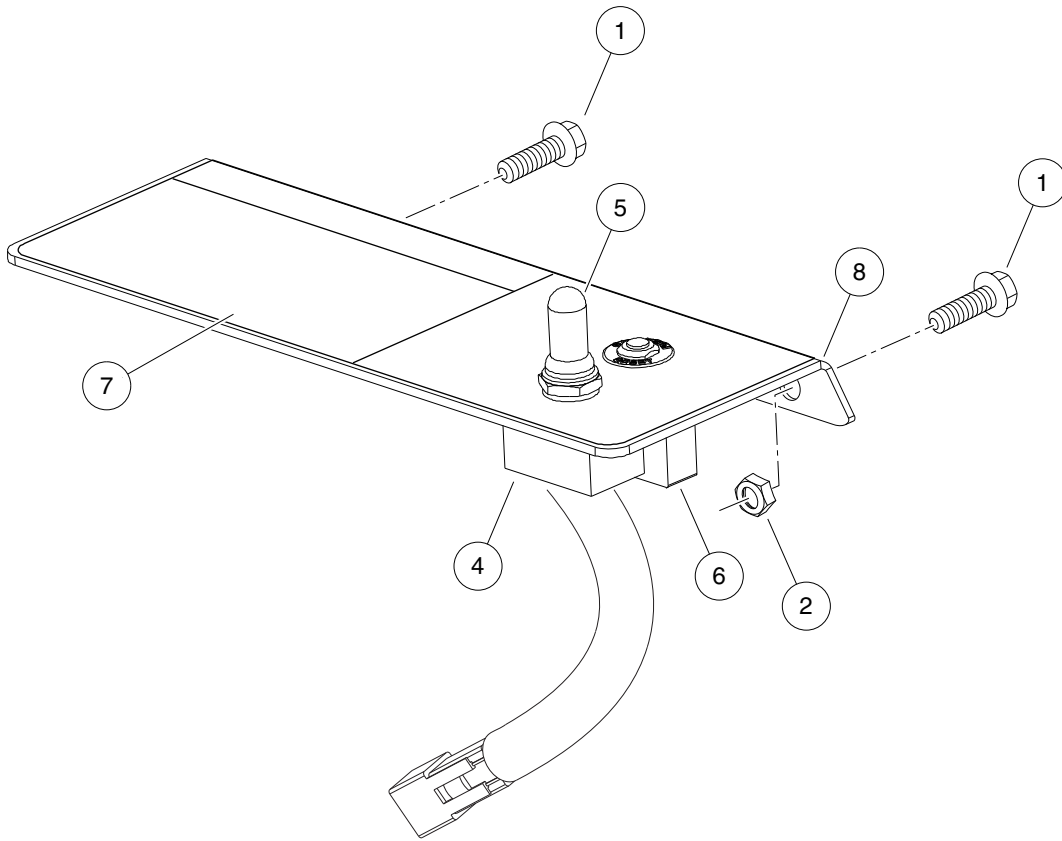
| ITEM | PART NO. | DESCRIPTION | QTY |
|------|-----------|---|-----|
| | | 1 2 3 4 | |
| 1 | 101801001 | Plate, Receptacle Backing | 1 |
| 2 | 101832001 | Screw, #7-19 X 0.625 Phillips Pan-Head Tap | 4 |
| 3 | 103771901 | Asm, Fuse & Receptacle, 480 (includes items 4 through 11) | 1 |
| 4 | 1017705 | Screw, #8 X 5/8 Phillips Pan-Head Type AB | 3 |
| 5 | 101796501 | Receptacle | 1 |
| 6 | 101796801 | Fuse Assembly (includes item 7) | 1 |
| 7 | 1013061 | Locknut, #10-32 Nylon Insert | 2 |
| 8 | 101894901 | Fuse, 3/8-Amp | 1 |
| 9 | N/A | Wire Assembly, Sense Lead, Gray | 1 |
| 10 | N/A | Wire Assembly, #10 Red | 1 |
| 11 | N/A | Wire Assembly, #10 Black | 1 |

13

E

13

E



000425-001

TOW/RUN SWITCH – IQ PLUS VEHICLES

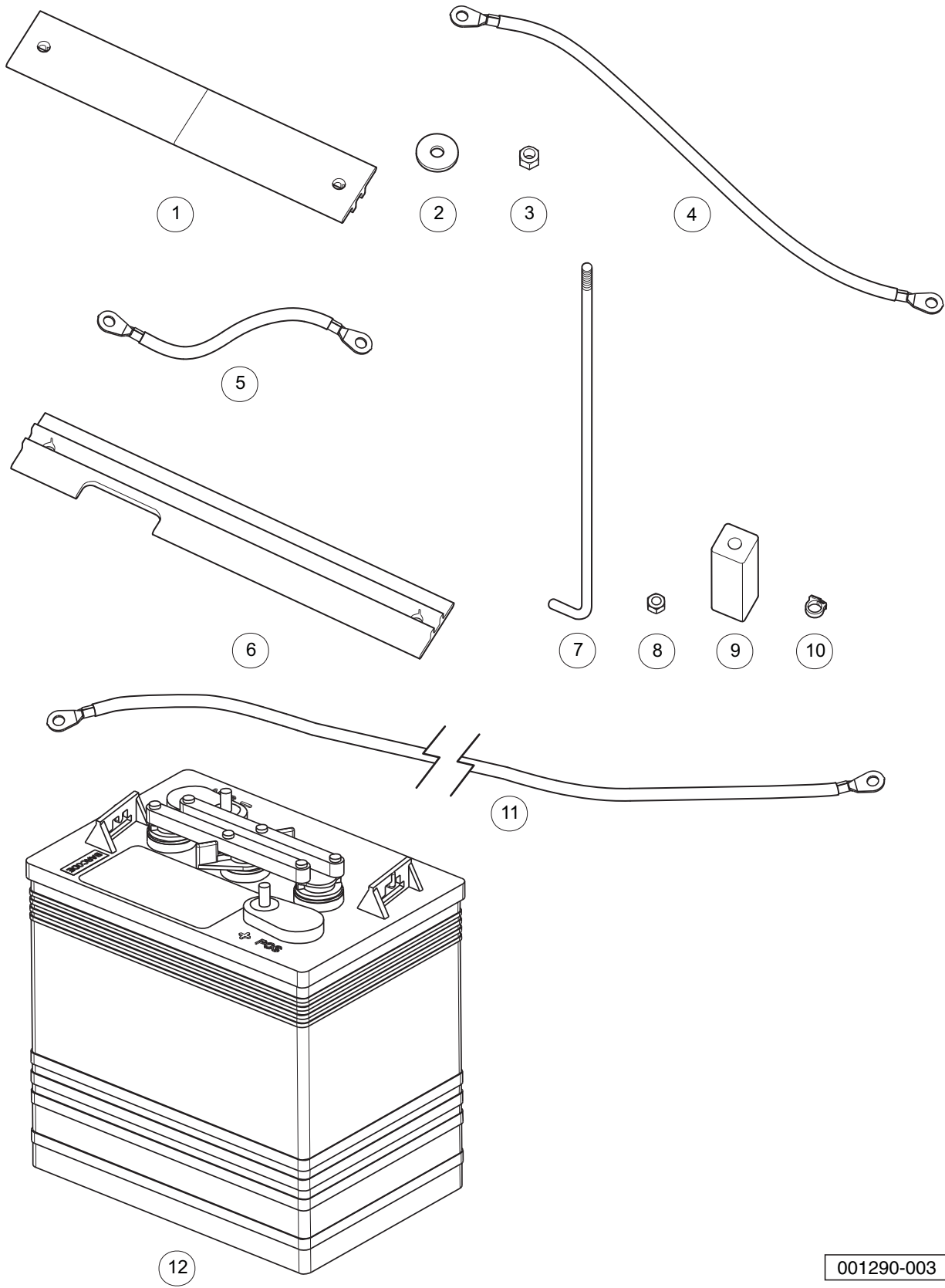
| ITEM | PART NO. | DESCRIPTION | QTY |
|------|-----------|--|-----|
| | | 1 2 3 4 | |
| 1 | 1012126 | Screw, #10-32 X .625 Hx Washer | 1 |
| 2 | 1013061 | Locknut, #10-32 Nylon Insert | 2 |
| 3 | N/A | Tow/Run Switch Assembly (includes items 4 through 8) | 1 |
| 4 | 101908101 | Switch Assembly, Tow/Run | 1 |
| 5 | 101908401 | Boot, Switch | 1 |
| 6 | 102838101 | Circuit Breaker 250vac-50vdc | 1 |
| 7 | 102845101 | Decal, Tow Switch | 1 |
| 8 | 102915701 | Plate, Switch, Run Tow, Mode | 1 |

13

E

13

E



001290-003

BATTERIES, 6-VOLT, STANDARD DUTY, JCI

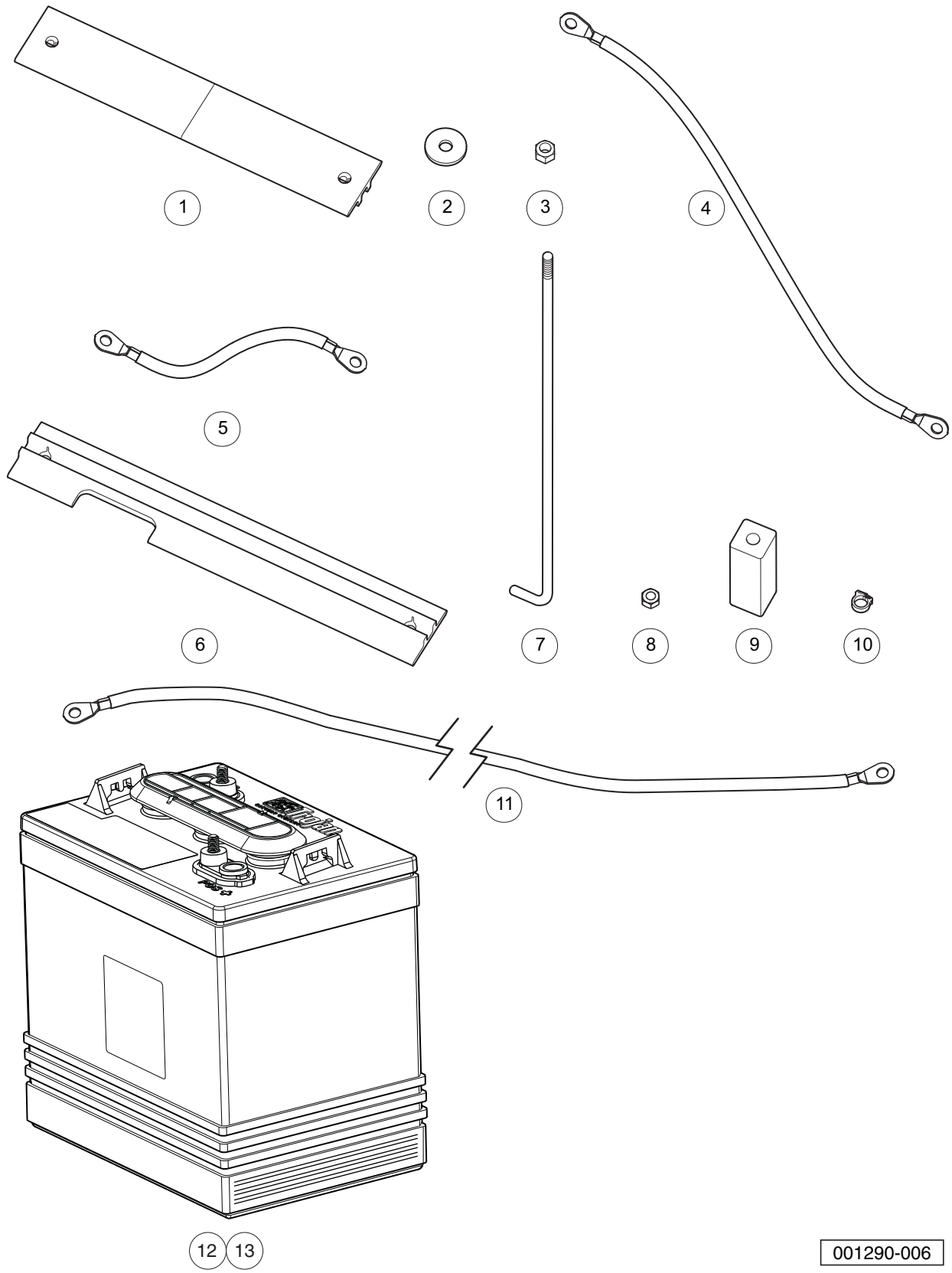
| ITEM | PART NO. | DESCRIPTION | QTY |
|------|-----------|-------------------------------------|-----|
| | | 1 2 3 4 | |
| 1 | 101090801 | Hold-Down, Battery | 2 |
| 2 | 1011578 | Washer, 5/16 Type B Flat | 12 |
| 3 | 1015072 | Locknut, 5/16-18 Nylon Insert | 12 |
| 4 | 102002801 | Wire Assy, #4 Black | 2 |
| 5 | 102002901 | Wire Assy, #4 Black | 3 |
| 6 | 102766201 | Hold Down, Outside | 4 |
| 7 | 102845203 | Rod, Battery Hold Down 10.7" | 12 |
| 8 | 102873401 | 5/16-18 Heavy Hex Nut | 16 |
| 9 | 102980801 | Extr, Plastic, 1 X 1 X 3 | 4 |
| 10 | 102980901 | Clamp, Hose, Nylon, .25 | 1 |
| 11 | 103198201 | Asm, #4 Blk Wire, 42" | 1 |
| 12 | 105210299 | Battery, 6v, Type E, Gc2, Wet | 8 |

13

E

13

E



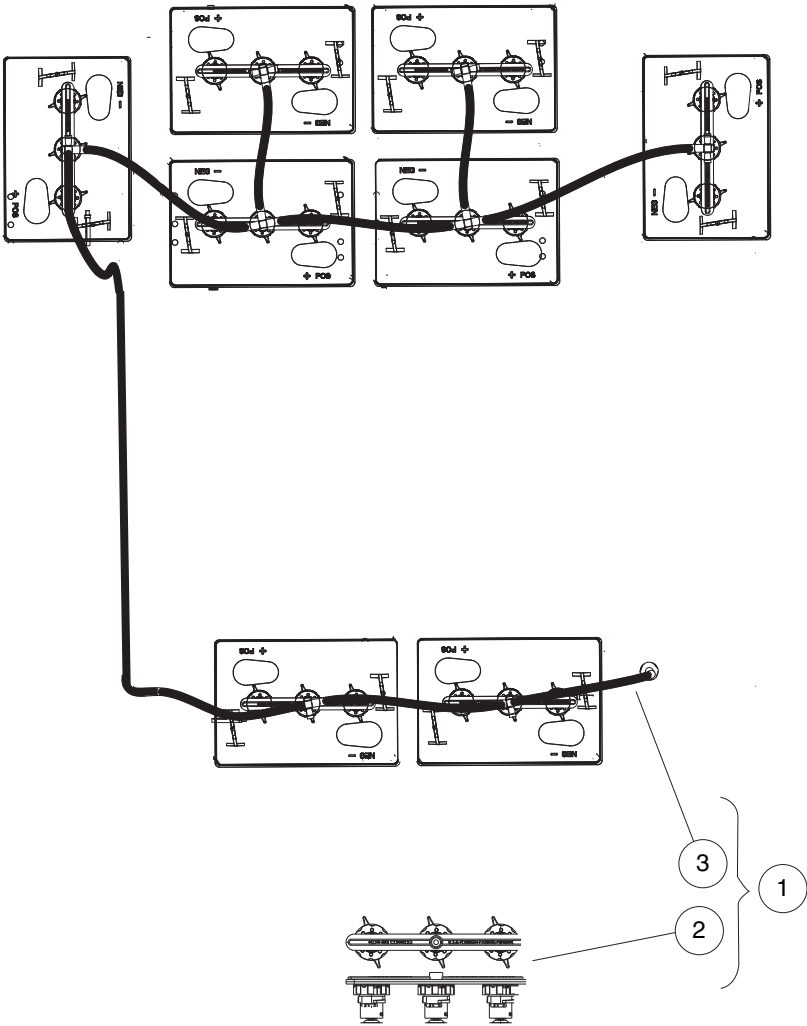
001290-006

BATTERIES, 6-VOLT, HEAVY DUTY, TROJAN

| ITEM | PART NO. | DESCRIPTION | QTY |
|------|-----------|---|-----|
| | | 1 2 3 4 | |
| 1 | 101090801 | Hold-Down, Battery | 2 |
| 2 | 1011578 | Washer, 5/16 Type B Flat | 12 |
| 3 | 1015072 | Locknut, 5/16-18 Nylon Insert | 12 |
| 4 | 102002801 | Wire Assy, #4 Black | 2 |
| 5 | 102002901 | Wire Assy, #4 Black | 3 |
| 6 | 102766201 | Hold Down, Outside | 4 |
| 7 | 102845204 | Rod, Battery Hold Down 12" | 12 |
| 8 | 102873401 | 5/16-18 Heavy Hex Nut | 16 |
| 9 | 102980801 | Extr, Plastic, 1 X 1 X 3 | 4 |
| 10 | 102980901 | Clamp, Hose, Nylon, .25 | 4 |
| 11 | 103198201 | Asm, #4 Blk Wire, 42" | 1 |
| 12 | 103969701 | Battery, 6-Volt, Trojan T145 (Wet) (includes item 13) | 8 |
| 13 | 101831401 | Battery Cap 6 Volt | 1 |

13

E



002525-001

SINGLE POINT WATERING SYSTEM (SPWS)

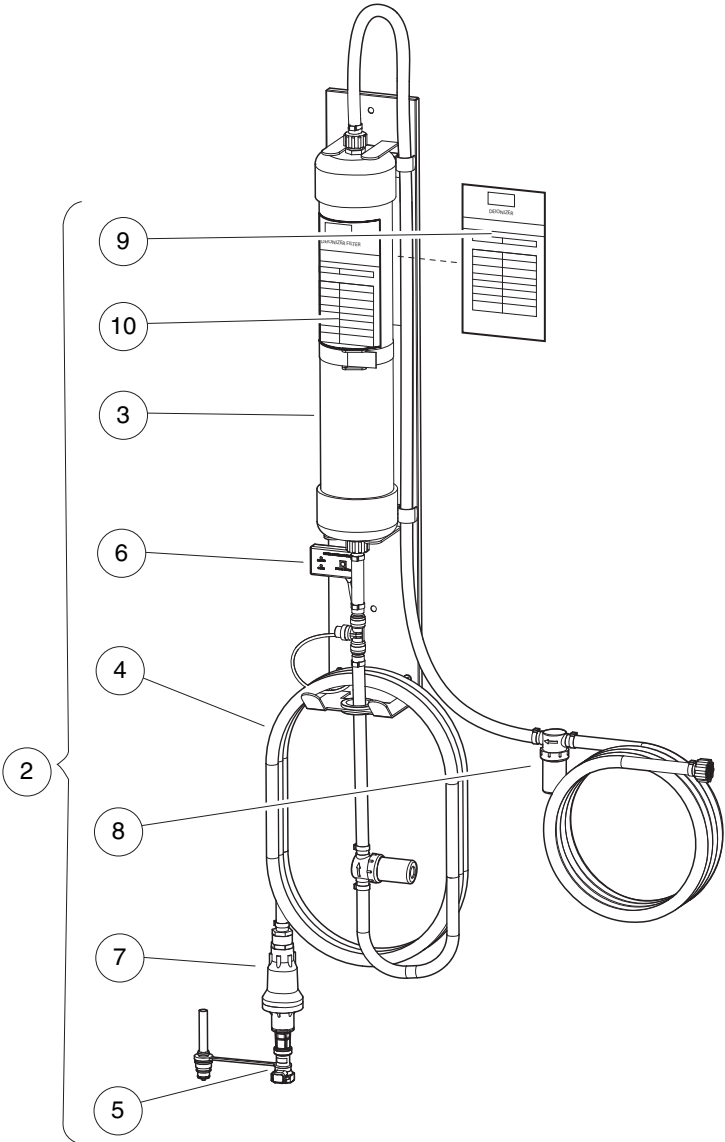
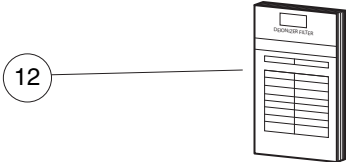
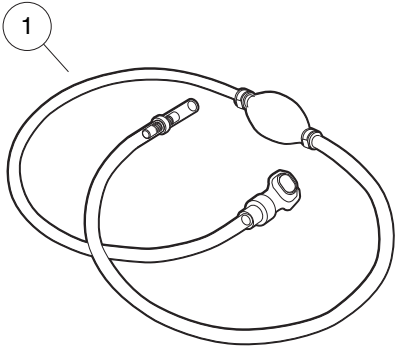
| ITEM | PART NO. | DESCRIPTION | QTY |
|------|-----------|---|-----|
| | | 1 2 3 4 | |
| 1 | 103942902 | Kit, Spws, Villager 6, 8 (includes items 2 and 3) | 1 |
| 2 | 103510501 | Manifold, Lpr, 3 Vlve, Spw | 8 |
| 3 | 103942101 | Spws, Villager 6, 8 | 1 |

13

E

13

E



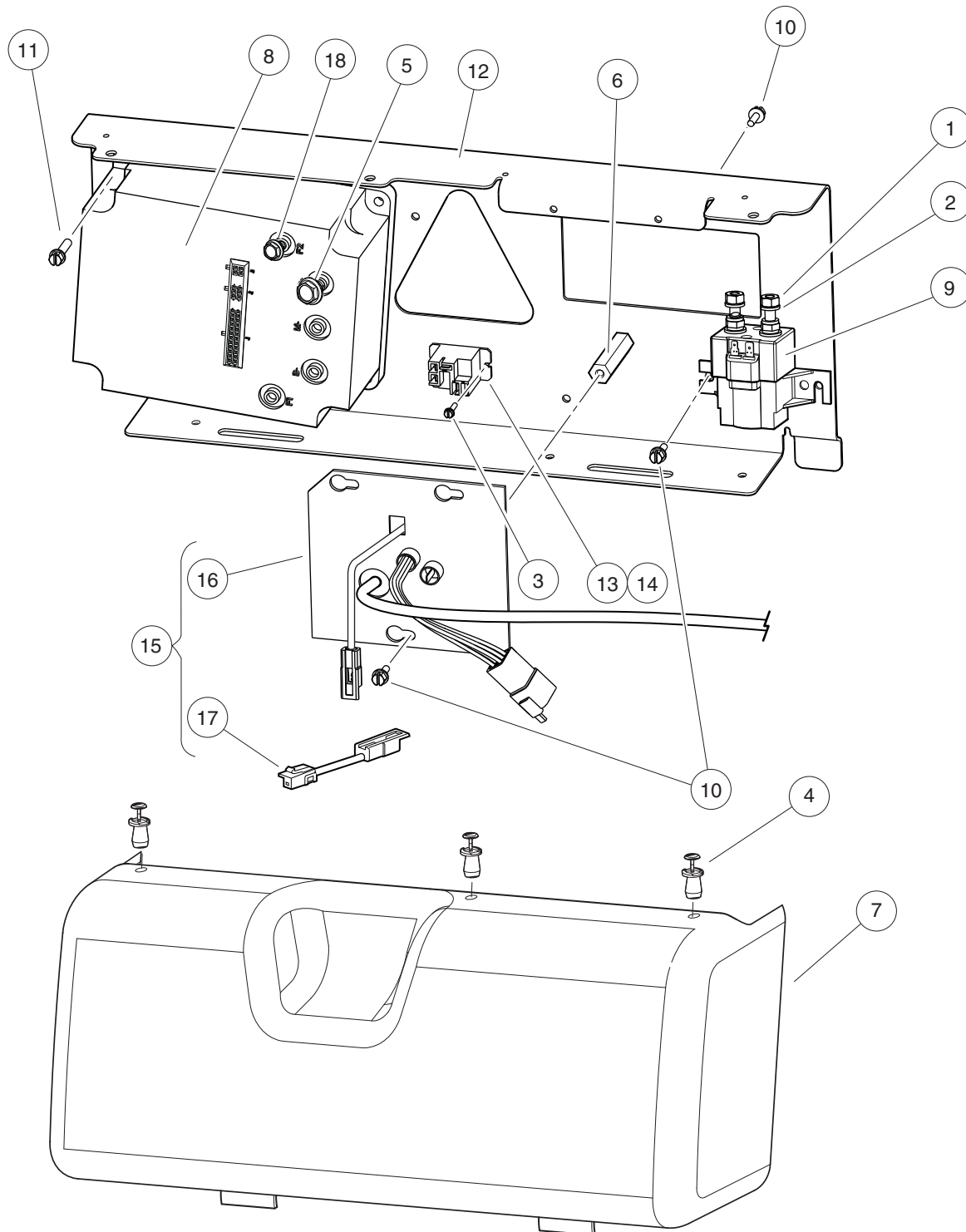
002523-003

HAND PUMP AND DEIONIZER (BATTERY-POWERED QUALITY LIGHT)

| ITEM | PART NO. | DESCRIPTION | QTY |
|------|-----------|--|-----|
| | | 1 2 3 4 | |
| 1 | 104006101 | Kit, Hand Pump, Spws | 1 |
| 2 | 105166801 | Deionizer, w/Battery-Powered Water Quality Light (includes items 3 through 10) | 1 |
| 3 | 104005901 | Cartridge, Deionizer | 1 |
| 4 | 105166901 | Hose,outlet,deionizer | 1 |
| 5 | 105167001 | Flow Ind, W/coupler, Deionizer | 1 |
| 6 | 105167101 | Light, Quality, Battery-Powered, w/T-Fitting | 1 |
| 7 | 105168501 | Regulator, Pressure, Deionizer | 1 |
| 8 | 105168601 | Strainer, In-line, Deionizer | 1 |
| 9 | AM1300001 | Decal, Filter Log, Blue | 1 |
| 10 | AM1300201 | Decal, Inspect Log, Yellow | 1 |
| 11 | AM1300101 | Decal, Filter Log, Blue, Pack of 100 | A/R |
| 12 | AM1300301 | Decal, Inspect Log, Yellow, Pack of 100 | A/R |

13

E



001246-004

COMPUTER, CONTROLLER, AND SOLENOID – FOR TROJAN BATTERIES

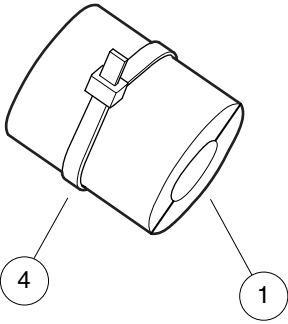
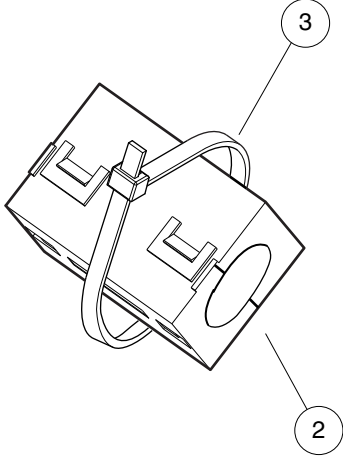
| ITEM | PART NO. | DESCRIPTION | QTY |
|------|-----------|--|-----|
| | | 1 2 3 4 | |
| 1 | 1012528 | Nut, M8-1.25 Hex | 2 |
| 2 | 1013734 | Lockwasher, 8mm Split | 2 |
| 3 | 1015720 | Screw, #6-32 X 1/2 Hex Washer-Head | 2 |
| 4 | 1016967 | Blind Rivet, Push Type | 3 |
| 5 | 102240501 | Bolt, Controller, Terminal | 3 |
| 6 | 102769701 | Spacer, 2", 1/4-20, Hex | 1 |
| 7 | 102772402 | Cover, Electrical Component, Carryall 6 | 1 |
| 8 | 102774501 | Controller, 500 Amp | 1 |
| 9 | 102774701 | Solenoid, 48v | 1 |
| 10 | 102817101 | Screw, 1/4-20 X .50 Hex Wsh Hd | 6 |
| 11 | 102817201 | Screw, 1/4-20 X .88 Hex Wsh Hd | 4 |
| 12 | 102912801 | Plate, Component, Front | 1 |
| 13 | 103414901 | Kit, Relay, 48v 30a W/instr (includes item 14) | 1 |
| 14 | 103397901 | Relay, Spst No, 48v 30a, Pmt | 1 |
| 15 | 103697109 | Kit, Obc, Iqplus, A1, 64" (includes items 16 and 17) | 1 |
| 16 | 103709201 | Obc, Iqplus, A1, 64", 480 | 1 |
| 17 | 103822101 | Adapter, 480 Obc To 56 Harn | 1 |
| 18 | 105000501 | Screw, M6 X 1 X 12 Ser Hex Flg | 2 |

13

E

13

E



001055-001

FERRITE BEADS, CE

| ITEM | PART NO. | DESCRIPTION | QTY |
|------|-----------|--------------------------------|-----|
| | | 1 2 3 4 | |
| 1 | 103449501 | Bead, Ferrite, Tdk | A/R |
| 2 | 103449601 | Bead, Ferrite, Fair-rite | A/R |
| 3 | 8639 | Tie Wrap, 11" Nylon | A/R |
| 4 | 8990 | Tie Wrap, 8" Nylon | A/R |

13

E

13

E

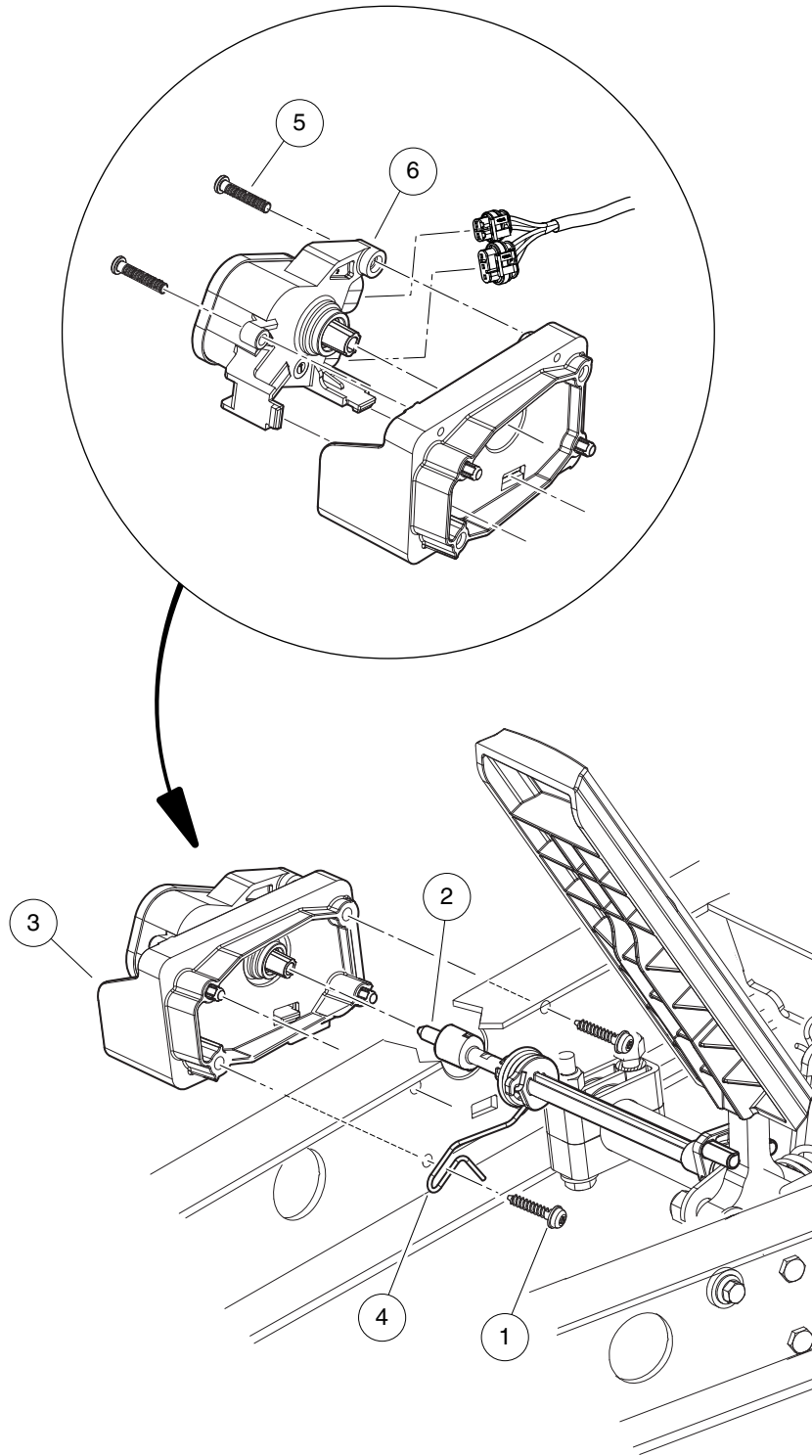
ELECTRICAL SYSTEM, ELECTRIC VEHICLES WITH HIGH-FREQUENCY

14

E

14

E



002522-001

MOTOR CONTROLLER OUTPUT REGULATOR (MCOR)

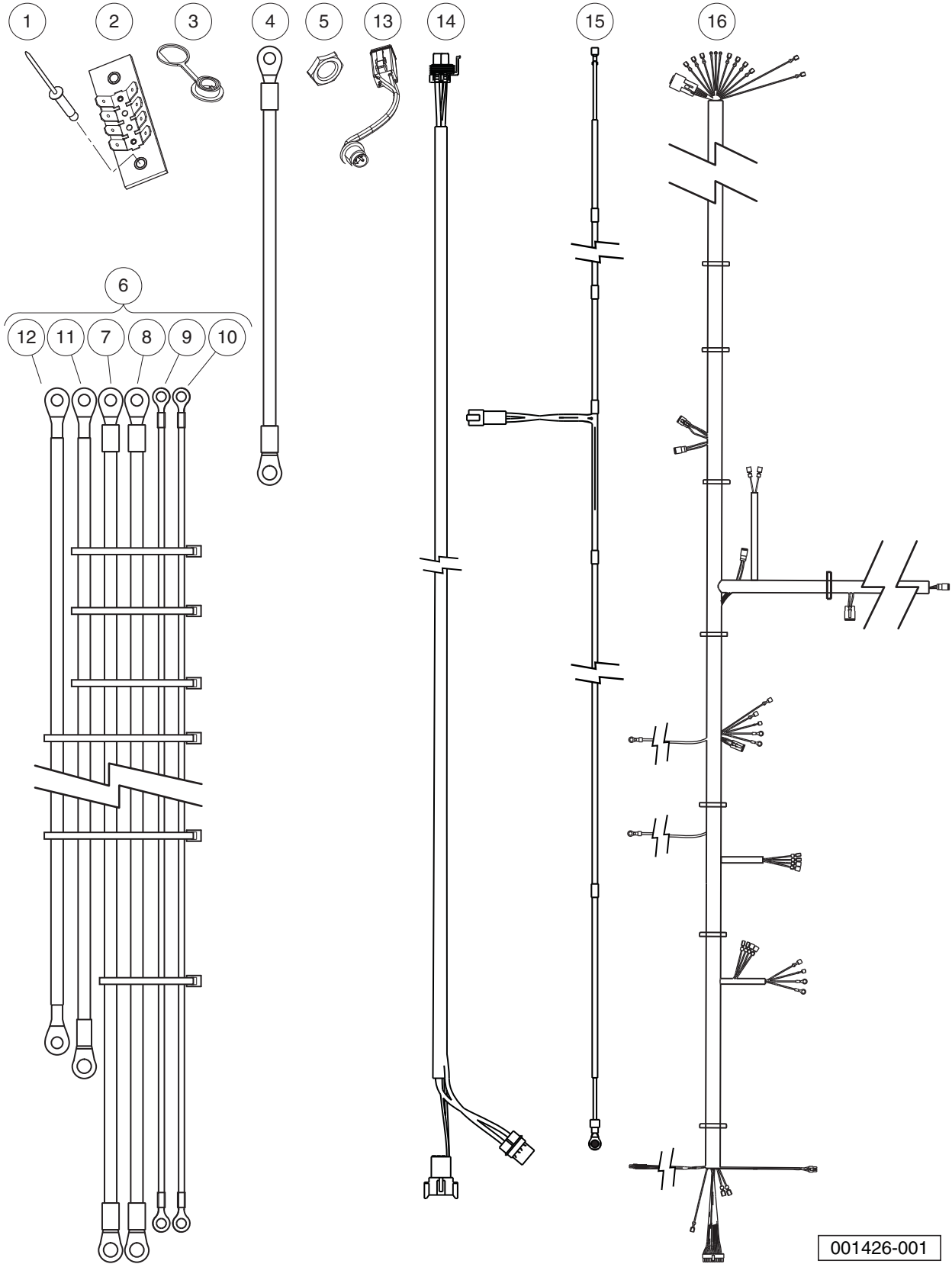
| ITEM | PART NO. | DESCRIPTION | QTY |
|------|-----------|---|-----|
| | | 1 2 3 4 | |
| 1 | 102297230 | Screw, M6, Torx, Interlock Thread | 2 |
| 2 | 103902101 | Bar, Drive, Cast | 1 |
| 3 | 103902301 | Housing, Mcor | 1 |
| 4 | 103902401 | Spring, Torsion | 1 |
| 5 | 103943401 | Screw, Pan, #10 X 1.00 Hi-lo | 2 |
| 6 | 105116301 | MCOR4, Type 16 Switch | 1 |

14

E

14

E



001426-001

WIRING – VILLAGER 6 ELECTRIC WITH HIGH-FREQ. CHARGER

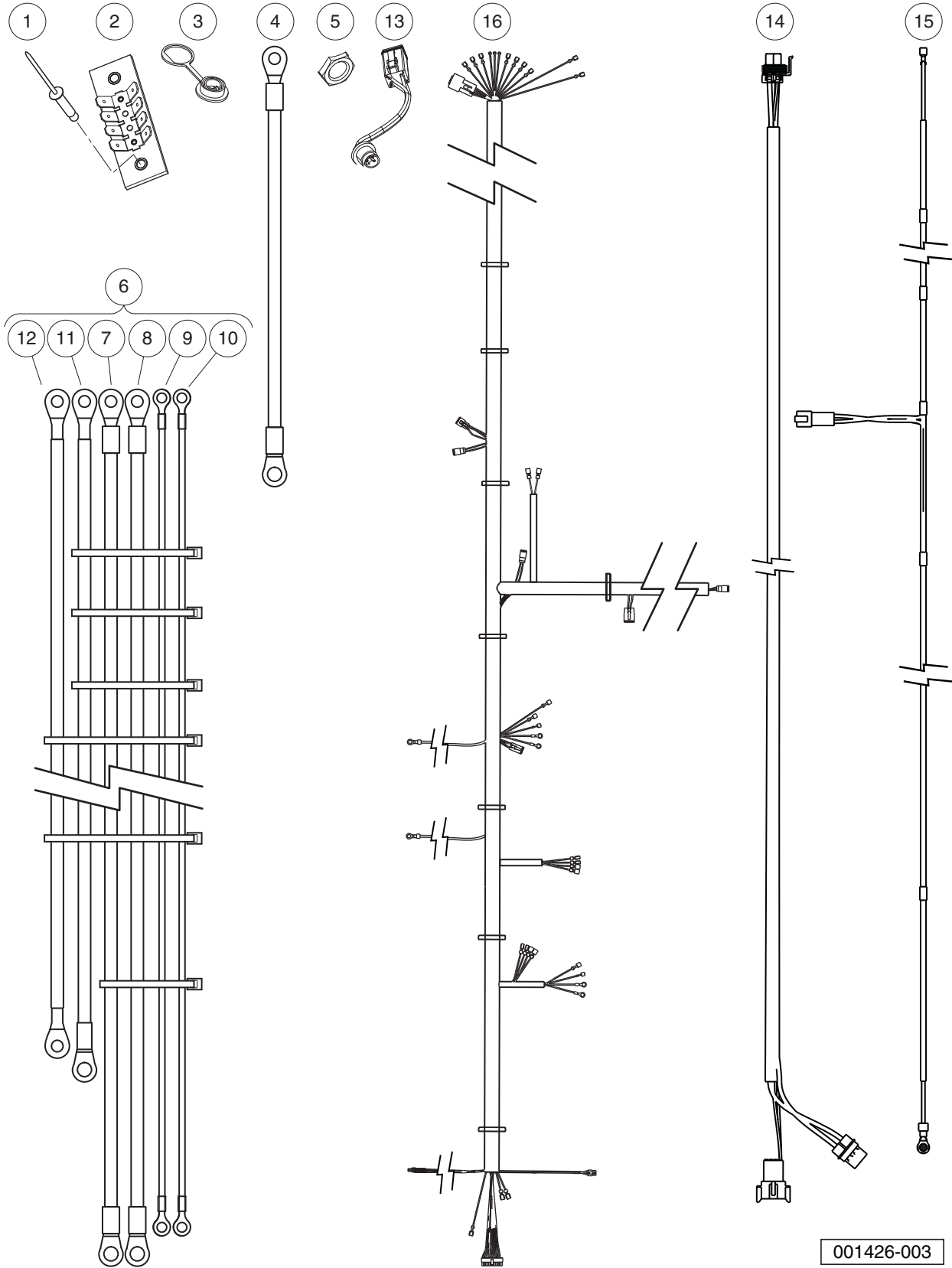
| ITEM | PART NO. | DESCRIPTION | QTY |
|------|-------------|---|-----|
| | | 1 2 3 4 | |
| 1 | 1013357 | Rivet, 5/32 Aluminum Pop | 2 |
| 2 | 1016356 | Terminal Block with Insulator | 1 |
| 3 | 102196901 | Dust Cap | 1 |
| 4 | 102440901 | Wire Asm, #4 Yellow, 13" | 1 |
| 5 | 102572401 | Nut, Diagnostic Port | 1 |
| 6 | 102845501 | Harness, Power, Stretch IQ Plus (includes items 7 through 12) | 1 |
| 7 | N/A | Asm, #4 Grn Wire, 89" | 1 |
| 8 | N/A | Asm, #4 Wht Wire, 88.5" | 1 |
| 9 | N/A | Asm, #10 Org Wire, 89.5" | 1 |
| 10 | N/A | Asm, #10 Blu Wire, 95.5" | 1 |
| 11 | N/A | Asm, #4 Red Wire, 67.5" | 1 |
| 12 | N/A | Asm, #4 Blk Wire, 57.5" | 1 |
| 13 | 103218601 | Harness, Diagnostic Port | 1 |
| 14 | 47564903001 | Harness, Charg, Ob, V6/8, Hfc | 1 |
| 15 | 47564905001 | Harness, Relay, Vill 6/8, Hfc | 1 |
| 16 | 47605933001 | Harness, Villager 6, Hfc | 1 |

14

E

14

E



001426-003

WIRING – VILLAGER 8 ELECTRIC WITH HIGH-FREQ. CHARGER

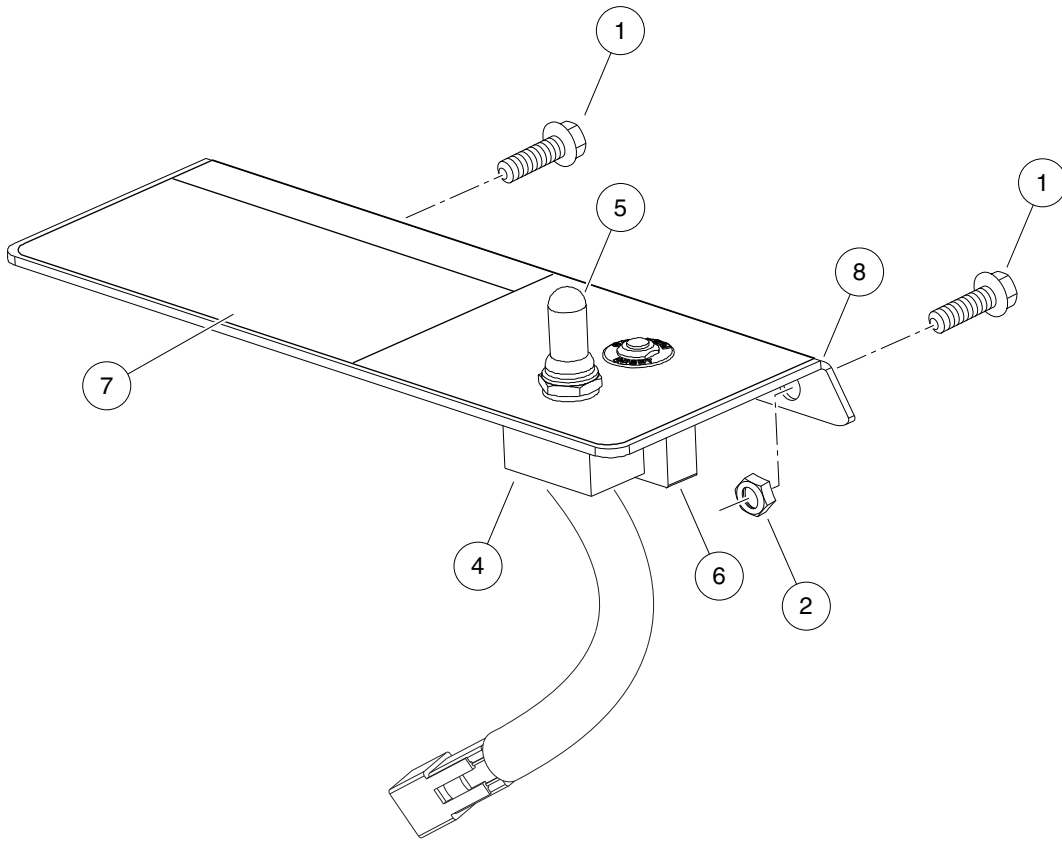
| ITEM | PART NO. | DESCRIPTION | QTY |
|------|-------------|---|-----|
| | | 1 2 3 4 | |
| 1 | 1013357 | Rivet, 5/32 Aluminum Pop | 2 |
| 2 | 1016356 | Terminal Block with Insulator | 1 |
| 3 | 102196901 | Dust Cap | 1 |
| 4 | 102440901 | Wire Asm, #4 Yellow, 13" | 1 |
| 5 | 102572401 | Nut, Diagnostic Port | 1 |
| 6 | 102845501 | Harness, Power, Stretch IQ Plus (includes items 7 through 12) | 1 |
| 7 | N/A | Asm, #4 Grn Wire, 89" | 1 |
| 8 | N/A | Asm, #4 Wht Wire, 88.5" | 1 |
| 9 | N/A | Asm, #10 Org Wire, 89.5" | 1 |
| 10 | N/A | Asm, #10 Blu Wire, 95.5" | 1 |
| 11 | N/A | Asm, #4 Red Wire, 67.5" | 1 |
| 12 | N/A | Asm, #4 Blk Wire, 57.5" | 1 |
| 13 | 103218601 | Harness, Diagnostic Port | 1 |
| 14 | 47564903001 | Harness, Charg, Ob, V6/8, Hfc | 1 |
| 15 | 47564905001 | Harness, Relay, Vill 6/8, Hfc | 1 |
| 16 | 47605934001 | Harness, Villager 8, Hfc | 1 |

14

E

14

E



000425-001

TOW/RUN SWITCH – IQ PLUS VEHICLES

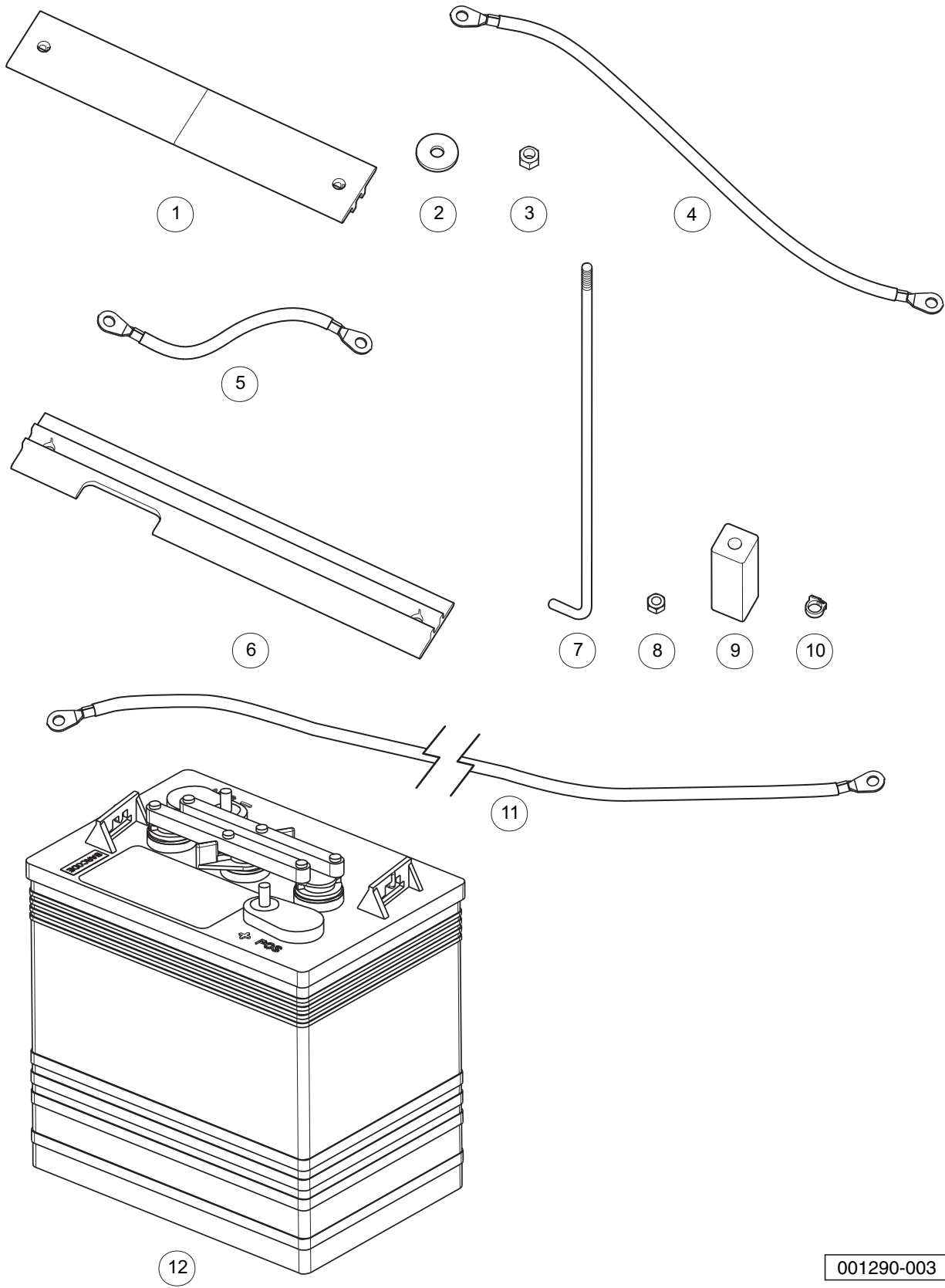
| ITEM | PART NO. | DESCRIPTION | QTY |
|------|-----------|--|-----|
| | | 1 2 3 4 | |
| 1 | 1012126 | Screw, #10-32 X .625 Hx Washer | 1 |
| 2 | 1013061 | Locknut, #10-32 Nylon Insert | 2 |
| 3 | N/A | Tow/Run Switch Assembly (includes items 4 through 8) | 1 |
| 4 | 101908101 | Switch Assembly, Tow/Run | 1 |
| 5 | 101908401 | Boot, Switch | 1 |
| 6 | 102838101 | Circuit Breaker 250vac-50vdc | 1 |
| 7 | 102845101 | Decal, Tow Switch | 1 |
| 8 | 102915701 | Plate, Switch, Run Tow, Mode | 1 |

14

E

14

E



001290-003

BATTERIES, 6-VOLT, STANDARD DUTY, JCI

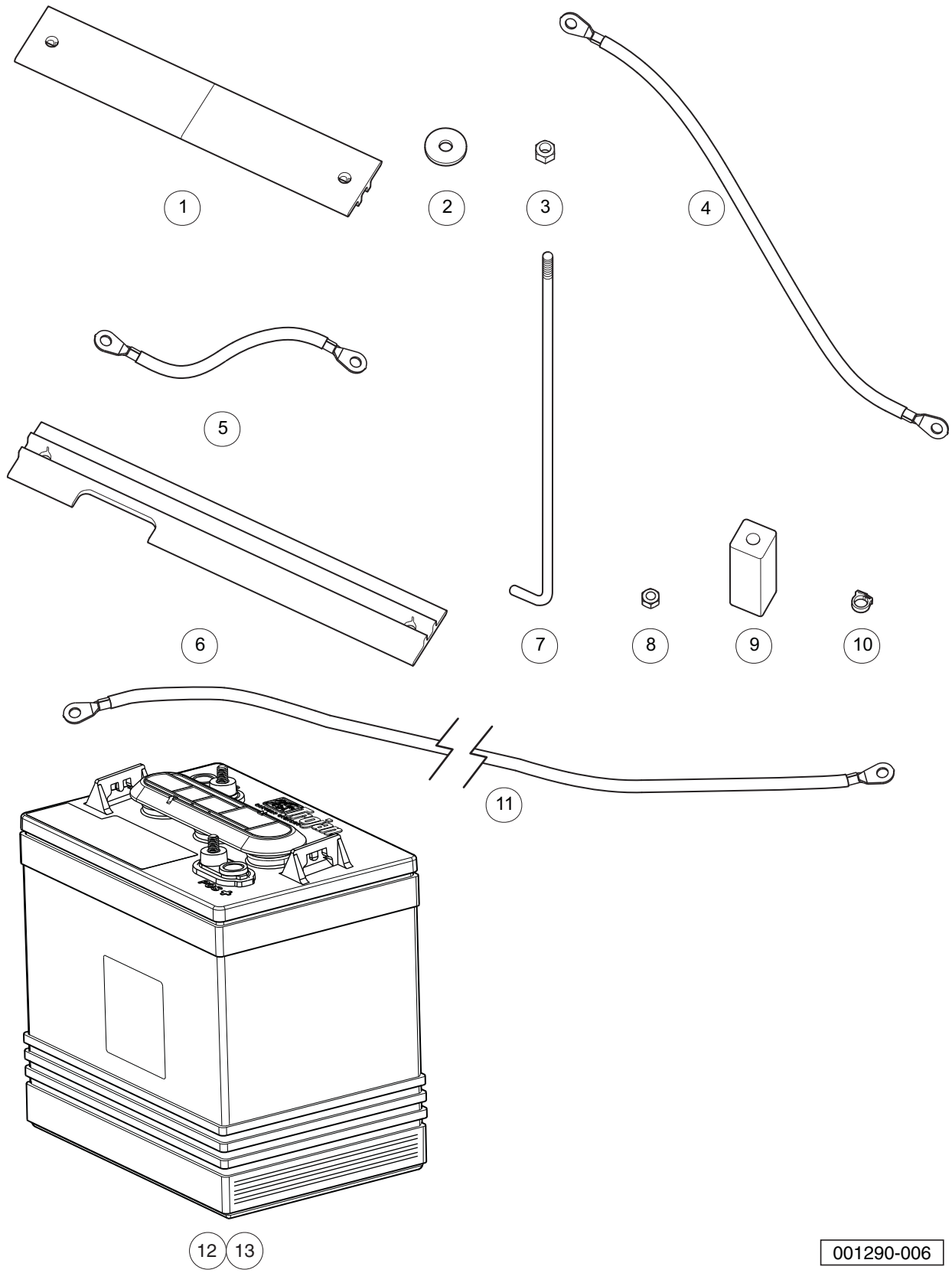
| ITEM | PART NO. | DESCRIPTION | QTY |
|------|-----------|-------------------------------------|-----|
| | | 1 2 3 4 | |
| 1 | 101090801 | Hold-Down, Battery | 2 |
| 2 | 1011578 | Washer, 5/16 Type B Flat | 12 |
| 3 | 1015072 | Locknut, 5/16-18 Nylon Insert | 12 |
| 4 | 102002801 | Wire Assy, #4 Black | 2 |
| 5 | 102002901 | Wire Assy, #4 Black | 3 |
| 6 | 102766201 | Hold Down, Outside | 4 |
| 7 | 102845203 | Rod, Battery Hold Down 10.7" | 12 |
| 8 | 102873401 | 5/16-18 Heavy Hex Nut | 16 |
| 9 | 102980801 | Extr, Plastic, 1 X 1 X 3 | 4 |
| 10 | 102980901 | Clamp, Hose, Nylon, .25 | 1 |
| 11 | 103198201 | Asm, #4 Blk Wire, 42" | 1 |
| 12 | 105210299 | Battery, 6v, Type E, Gc2, Wet | 8 |

14

E

14

E



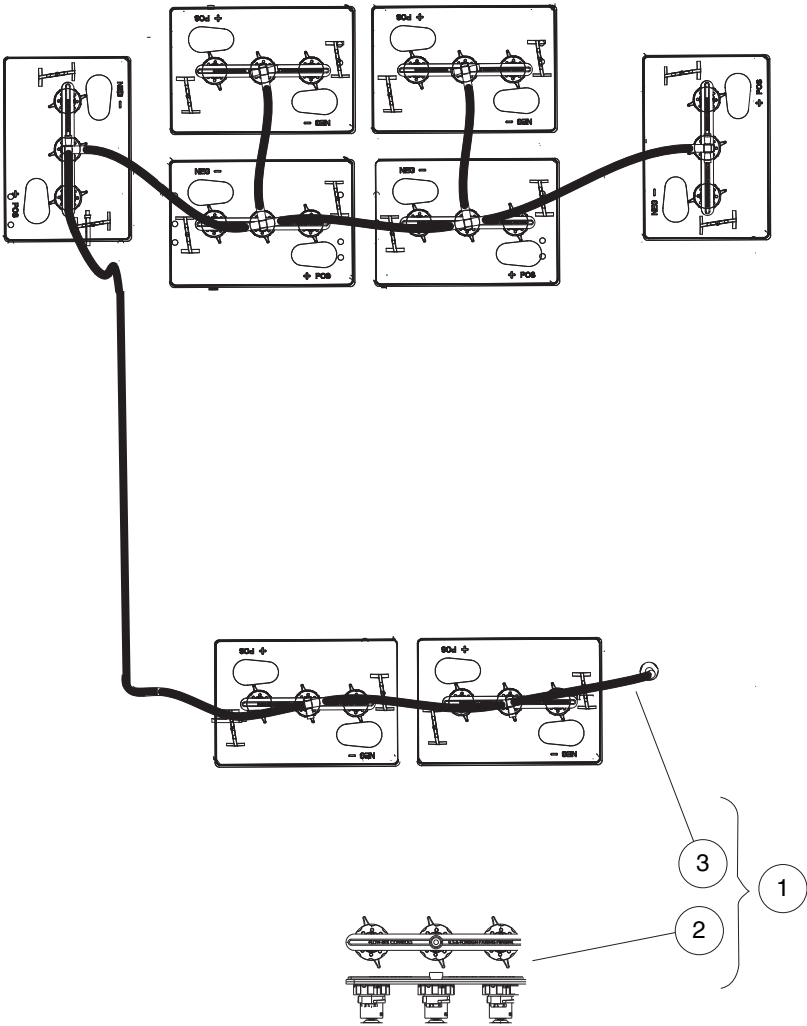
001290-006

BATTERIES, 6-VOLT, HEAVY DUTY, TROJAN

| ITEM | PART NO. | DESCRIPTION | QTY |
|------|-----------|---|-----|
| | | 1 2 3 4 | |
| 1 | 101090801 | Hold-Down, Battery | 2 |
| 2 | 1011578 | Washer, 5/16 Type B Flat | 12 |
| 3 | 1015072 | Locknut, 5/16-18 Nylon Insert | 12 |
| 4 | 102002801 | Wire Assy, #4 Black | 2 |
| 5 | 102002901 | Wire Assy, #4 Black | 3 |
| 6 | 102766201 | Hold Down, Outside | 4 |
| 7 | 102845204 | Rod, Battery Hold Down 12" | 12 |
| 8 | 102873401 | 5/16-18 Heavy Hex Nut | 16 |
| 9 | 102980801 | Extr, Plastic, 1 X 1 X 3 | 4 |
| 10 | 102980901 | Clamp, Hose, Nylon, .25 | 4 |
| 11 | 103198201 | Asm, #4 Blk Wire, 42" | 1 |
| 12 | 103969701 | Battery, 6-Volt, Trojan T145 (Wet) (includes item 13) | 8 |
| 13 | 101831401 | Battery Cap 6 Volt | 1 |

14

E



002525-001

SINGLE POINT WATERING SYSTEM (SPWS)

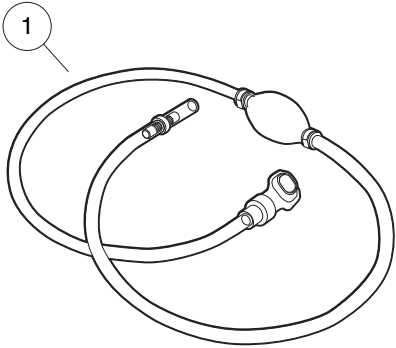
| ITEM | PART NO. | DESCRIPTION | QTY |
|------|-----------|---|-----|
| | | 1 2 3 4 | |
| 1 | 103942902 | Kit, Spws, Villager 6, 8 (includes items 2 and 3) | 1 |
| 2 | 103510501 | Manifold, Lpr, 3 Vlve, Spw | 8 |
| 3 | 103942101 | Spws, Villager 6, 8 | 1 |

14

E

14

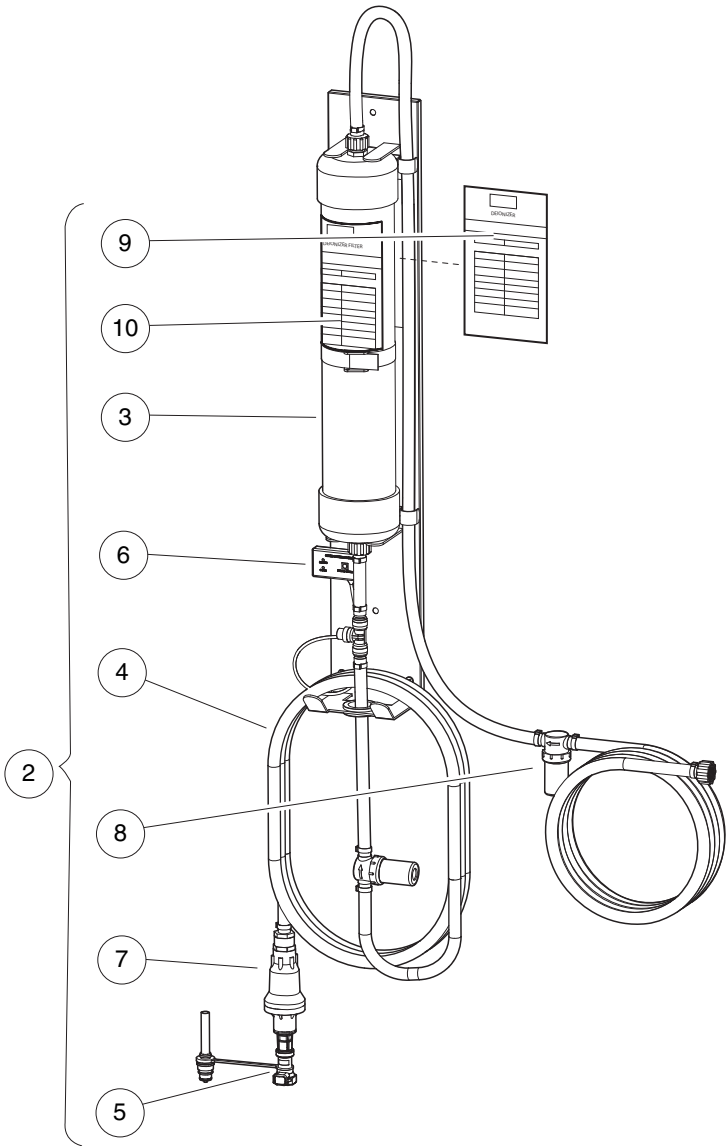
E



11



12



002523-003

HAND PUMP AND DEIONIZER (BATTERY-POWERED QUALITY LIGHT)

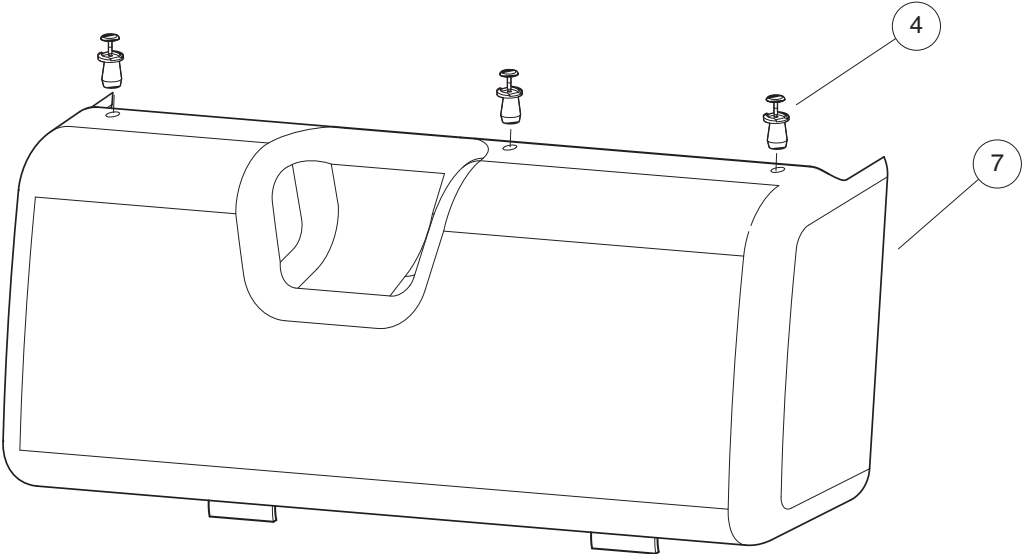
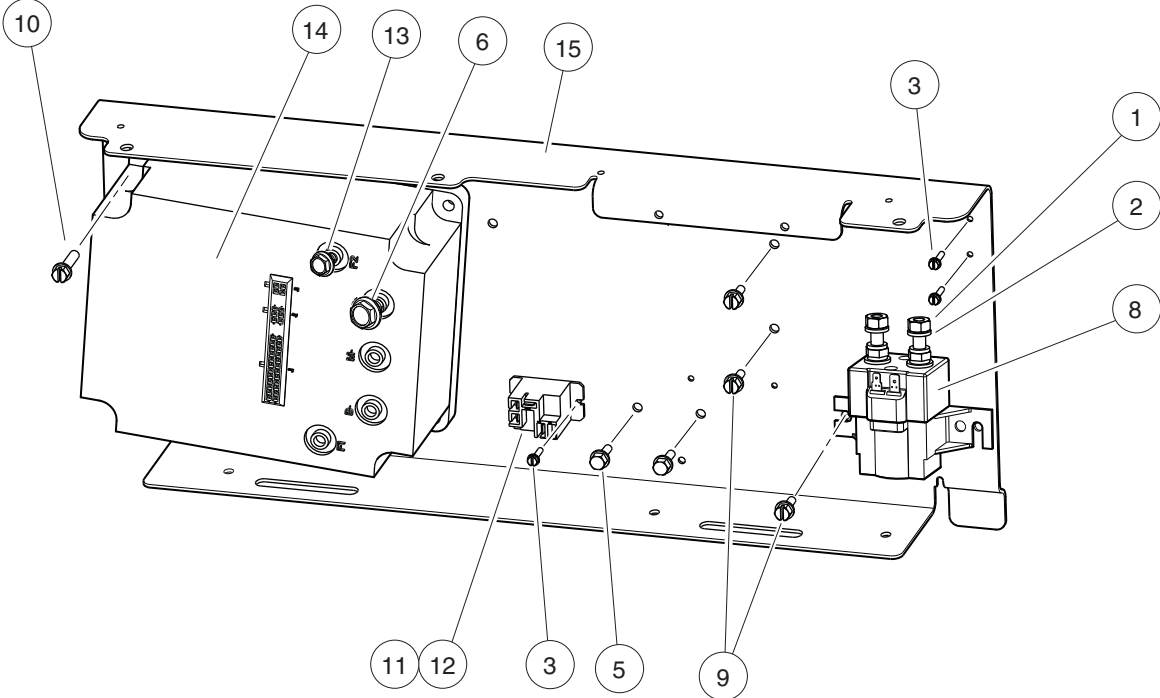
| ITEM | PART NO. | DESCRIPTION | QTY |
|------|-----------|--|-----|
| | | 1 2 3 4 | |
| 1 | 104006101 | Kit, Hand Pump, Spws | 1 |
| 2 | 105166801 | Deionizer, w/Battery-Powered Water Quality Light (includes items 3 through 10) | 1 |
| 3 | 104005901 | Cartridge, Deionizer | 1 |
| 4 | 105166901 | Hose,outlet,deionizer | 1 |
| 5 | 105167001 | Flow Ind, W/coupler, Deionizer | 1 |
| 6 | 105167101 | Light, Quality, Battery-Powered, w/T-Fitting | 1 |
| 7 | 105168501 | Regulator, Pressure, Deionizer | 1 |
| 8 | 105168601 | Strainer, In-line, Deionizer | 1 |
| 9 | AM1300001 | Decal, Filter Log, Blue | 1 |
| 10 | AM1300201 | Decal, Inspect Log, Yellow | 1 |
| 11 | AM1300101 | Decal, Filter Log, Blue, Pack of 100 | A/R |
| 12 | AM1300301 | Decal, Inspect Log, Yellow, Pack of 100 | A/R |

14

E

14

E



001427-001

COMPUTER, CONTROLLER, AND SOLENOID – HIGH-FREQ. CHARGER

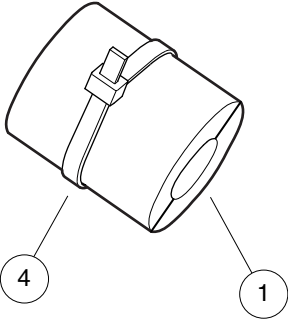
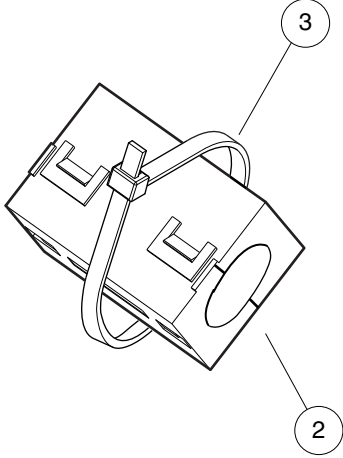
| ITEM | PART NO. | DESCRIPTION | QTY |
|------|-----------|--|-----|
| | | 1 2 3 4 | |
| 1 | 1012528 | Nut, M8-1.25 Hex | 2 |
| 2 | 1013734 | Lockwasher, 8mm Split | 2 |
| 3 | 1015720 | Screw, #6-32 X 1/2 Hex Washer-Head | 4 |
| 4 | 1016967 | Blind Rivet, Push Type | 3 |
| 5 | 102238001 | #10-24 Taptite Screw | 2 |
| 6 | 102240501 | Bolt, Controller, Terminal | 3 |
| 7 | 102772402 | Cover, Electrical Component, Carryall 6 | 1 |
| 8 | 102774701 | Solenoid, 48v | 1 |
| 9 | 102817101 | Screw, 1/4-20 X .50 Hex Wsh Hd | 4 |
| 10 | 102817201 | Screw, 1/4-20 X .88 Hex Wsh Hd | 4 |
| 11 | 103414901 | Kit, Relay, 48v 30a W/instr (includes item 12) | 1 |
| 12 | 103397901 | Relay, Spst No, 48v 30a, Pmt | 1 |
| 13 | 105000501 | Screw, M6 X 1 X 12 Ser Hex Flg | 2 |
| 14 | 105075201 | Controller, 500 Amp, Hfc | 1 |
| 15 | 105147101 | Plate, Component, Frnt, No Obc | 1 |

14

E

14

E



001055-001

FERRITE BEADS, CE

| ITEM | PART NO. | DESCRIPTION | QTY |
|------|-----------|--------------------------------|-----|
| | | 1 2 3 4 | |
| 1 | 103449501 | Bead, Ferrite, Tdk | A/R |
| 2 | 103449601 | Bead, Ferrite, Fair-rite | A/R |
| 3 | 8639 | Tie Wrap, 11" Nylon | A/R |
| 4 | 8990 | Tie Wrap, 8" Nylon | A/R |

14

E

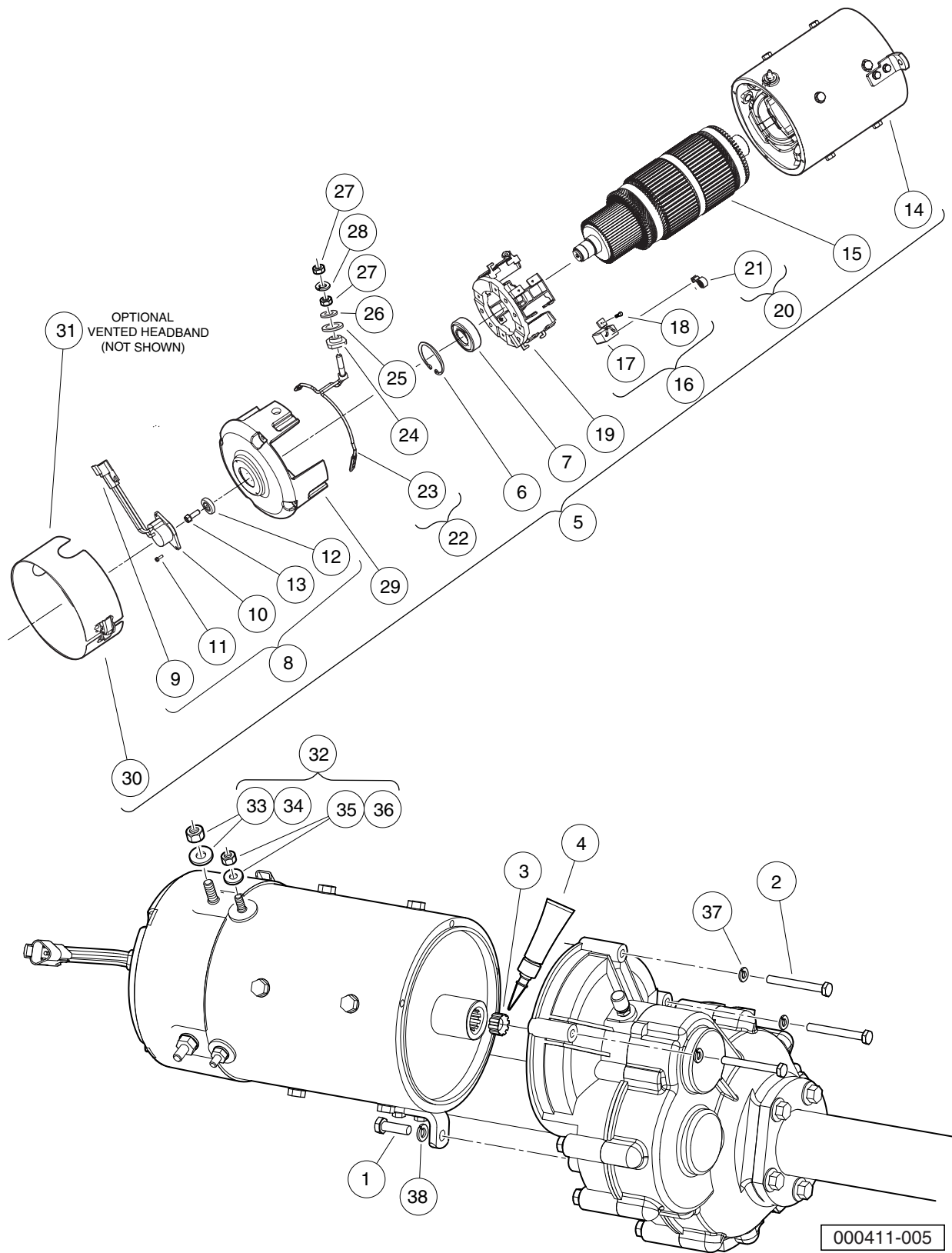
14

E

MOTOR (MODEL DA5-4006) – IQ PLUS

15

E



MOTOR (MODEL DA5-4006) – IQ PLUS

| ITEM | PART NO. | DESCRIPTION | QTY |
|------|-----------|---|-----|
| | | 1 2 3 4 | |
| 1 | 1010934 | Screw, 5/16-18 X 1.00 Hex Cap | 1 |
| 2 | 1014201 | Screw, 1/4-20 X 2.25 Hex Cap | 3 |
| 3 | 102235201 | Bumper, Drive Unit | 1 |
| 4 | 102243403 | Lubricant, Moly-Teflon (Single-Use Tube) | 1 |
| 5 | 102775101 | IQ Plus Electric Motor, 48-VDC 3.7 hp (includes items 6 through 30) | 1 |
| 6 | N/A | Ring, 2.24" Internal Retaining | 1 |
| 7 | 102186401 | Bearing, Ball | 1 |
| 8 | 102704901 | Kit, Speed Sensor (includes items 9 through 13) | 1 |
| 9 | 101942301 | Kit, 3-Pin Wedge Lock | 1 |
| 10 | N/A | Sensor, Motor Speed, ADC | 1 |
| 11 | N/A | Screw, #8-32, Taptite Thread | 2 |
| 12 | N/A | Magnet, ADC Motor | 1 |
| 13 | N/A | Screw, 1/4-20 x 0.5 | 1 |
| 14 | N/A | Asm, Frame And Field, 3.7 Hp | 1 |
| 15 | N/A | Armature (Includes external hardware not shown) | 1 |
| 16 | 102938601 | Kit, Brush, 3.7 Hp (includes items 17 and 18) | 1 |
| 17 | N/A | Brush, Motor | 8 |
| 18 | N/A | Screw, Taptite | 8 |
| 19 | 102938701 | Asm, Brush Box, 3.7 Hp | 1 |
| 20 | 102938801 | Kit, Brush Spring, 3.7 Hp (includes item 21) | 1 |
| 21 | N/A | Brush Spring | 8 |
| 22 | 102938901 | Kit, Brush Lead Asm, 3.7 Hp (includes items 23 through 28) | 1 |
| 23 | N/A | Terminal and Lead Assembly | 2 |
| 24 | N/A | Insulator, Terminal | 2 |
| 25 | N/A | Washer, Insulating | 2 |
| 26 | N/A | Washer, Flat, 5/16, Brass/Bronze | 2 |
| 27 | N/A | Nut, 5/16, Steel | 4 |
| 28 | N/A | Lockwasher, 5/16, Steel | 2 |
| 29 | 102939001 | Commutator End Head, 3.7 Hp | 1 |
| 30 | 102939101 | Sealed Headband, 3.7 Hp | 1 |
| 31 | 102939102 | Vented Headband, 3.7 HP (optional - not shown) | 1 |
| 32 | 102951701 | Pkg, Terminal Hardware, 3.7hp (includes items 33 through 36) | 1 |
| 33 | N/A | Nut, 5/16, Steel | 2 |
| 34 | N/A | Lockwasher, 5/16, Steel | 2 |
| 35 | N/A | Nut, 1/4-20, Steel | 2 |
| 36 | N/A | Lockwasher, 1/4-20, Steel | 2 |
| 37 | 451 | Lockwasher, 1/4 Split | 3 |
| 38 | 7174 | Lockwasher, 5/16 Split | 1 |

15

E

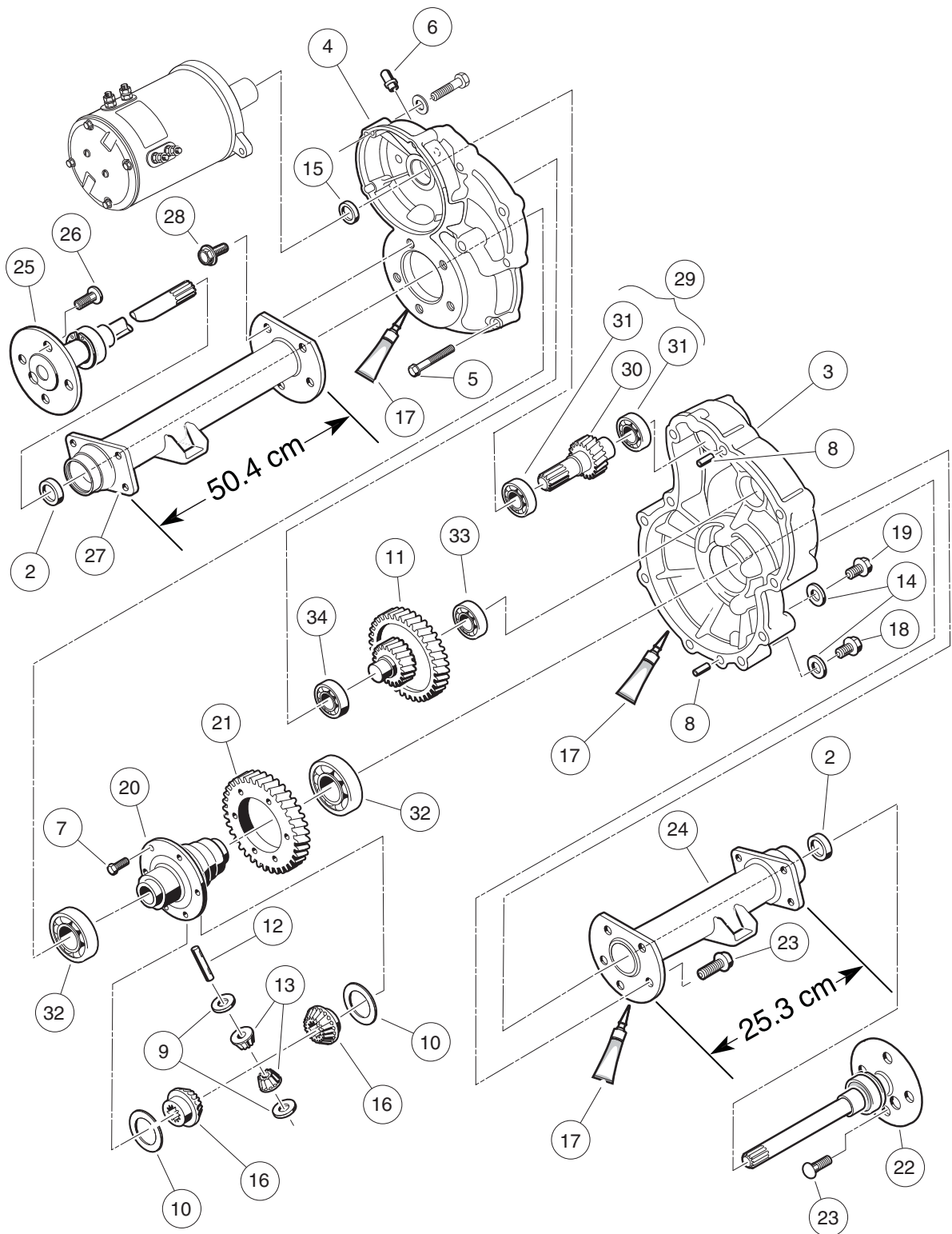
15

E

TRANSAXLE – ELECTRIC VEHICLES

16

E



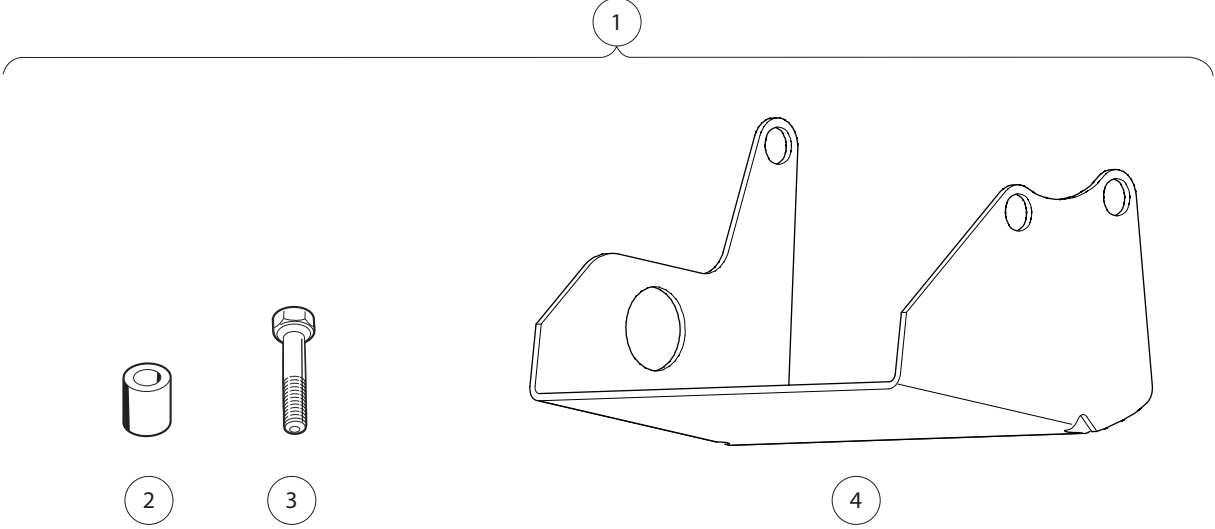
000223-005

TRANSAXLE – ELECTRIC VEHICLES

| ITEM | PART NO. | DESCRIPTION | QTY |
|------|-----------|---|-----|
| | | 1 2 3 4 | |
| 1 | 102771701 | Transaxle, Electric (includes items 2 through 34) | 1 |
| 2 | 1013794 | Axle Shaft Oil Seal | 2 |
| 3 | 101895401 | Gear Case, Driver-Side | 1 |
| 4 | 101895501 | Gear Case, Passenger-Side | 1 |
| 5 | 101897001 | Screw, M8-1.25 X 60mm Hex-Head | 11 |
| 6 | 101897201 | Breather | 1 |
| 7 | 101897401 | Screw, M10-1.25 X 25mm | 6 |
| 8 | 101897601 | Pin, 11mm OD X 8.5mm ID X 10mm | 2 |
| 9 | 101903601 | Washer, Thrust | 2 |
| 10 | 101903701 | Washer, Thrust | 2 |
| 11 | 101906901 | Intermediate Shaft Assembly | 1 |
| 12 | 101922101 | Pin, 15.99mm X 88.7mm Dowel | 1 |
| 13 | 101923001 | Gear, Differential Idler | 2 |
| 14 | 101923201 | Gasket | 2 |
| 15 | 101923501 | Seal, Lip | 1 |
| 16 | 101923901 | Gear, Differential | 2 |
| 17 | 101928701 | Liquid Gasket (Transaxle case) | 1 |
| 18 | 101972101 | Plug, M14-1.5 X 12mm Magnetic | 1 |
| 19 | 101972201 | Plug, M14-1.5 X 12mm Hex | 1 |
| 20 | 102356601 | Housing, Differential, 6 Bolt | 6 |
| 21 | 102356801 | Gear, Differential Output, 6-Bolt | 6 |
| 22 | 102886301 | Axle Assembly, Driver-Side (includes item 23) | 1 |
| 23 | 101922201 | Lug Stud | 4 |
| 24 | 102886401 | Tube, Axle, Driver-Side | 1 |
| 25 | 102886501 | Axle Assembly, Passenger-Side (includes item 26) | 1 |
| 26 | 101922201 | Lug Stud | 4 |
| 27 | 102886601 | Tube, Axle, Passenger-Side | 1 |
| 28 | 102902801 | Screw, M10 X 30 | 10 |
| 29 | 103582801 | Asm, E Trans Shaft/bearing (includes items 30 and 31) | 1 |
| 30 | N/A | Shaft, Input | 1 |
| 31 | 7335 | Bearing | 2 |
| 32 | 7330 | Inner Axle Tube Bearing | 2 |
| 33 | 7335 | Bearing | 1 |
| 34 | 7336 | Bearing | 1 |

16

E



000365-002

DIFFERENTIAL GUARD – ELECTRIC VEHICLES

| ITEM | PART NO. | DESCRIPTION | QTY |
|------|-----------|---|-----|
| | | 1 2 3 4 | |
| 1 | 101611402 | Kit, Differential Guard, Elec Vehicles (includes items 2 through 4) | 1 |
| 2 | 101914001 | Spacer, Steel | 2 |
| 3 | 101936101 | Screw, M10-1.50 X 60mm Hex Cap | 2 |
| 4 | 101978601 | Guard, Differential, Electric Vehicle Transaxle | 1 |

16

E

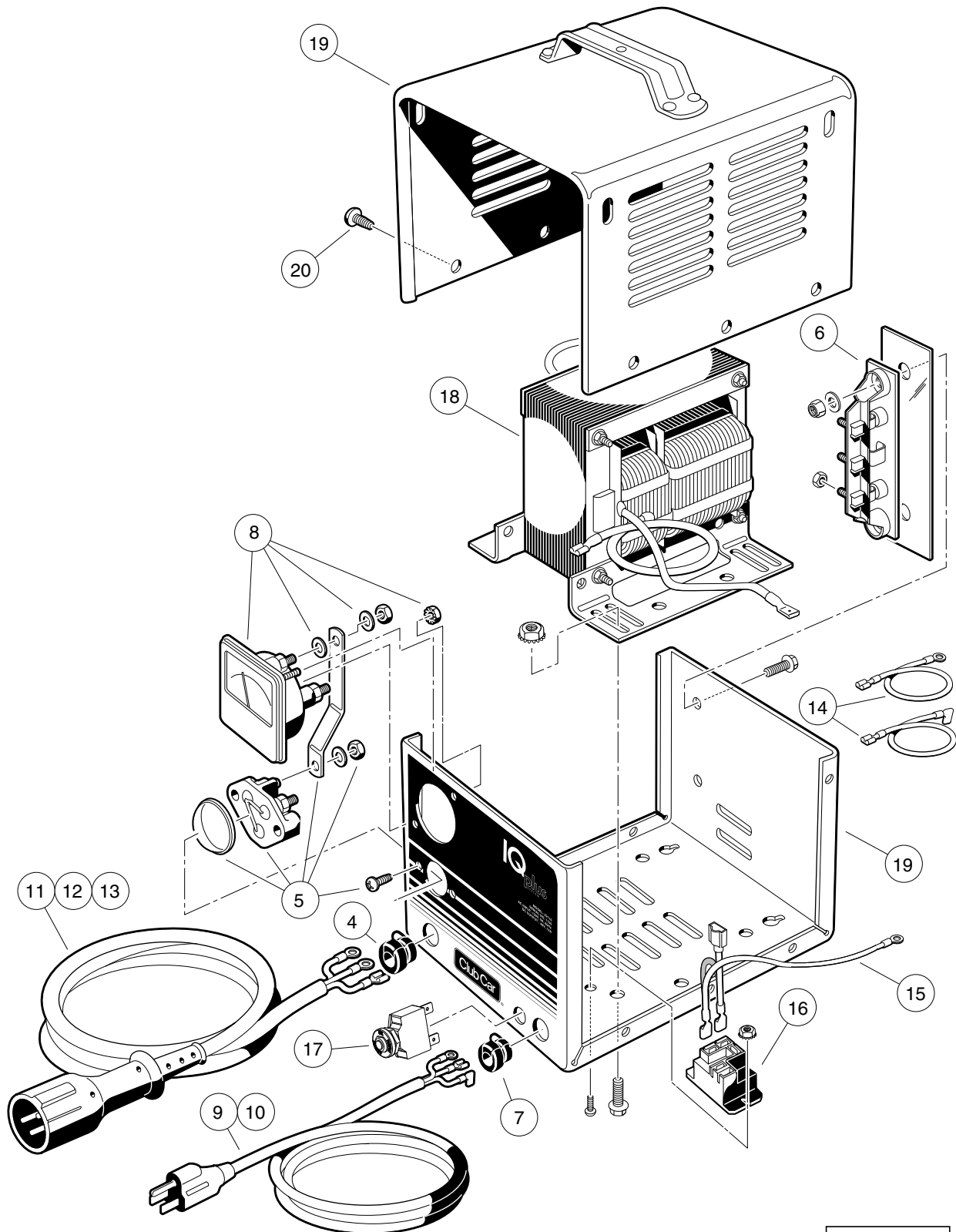
16

E

BATTERY CHARGERS – IQ PLUS

17

E



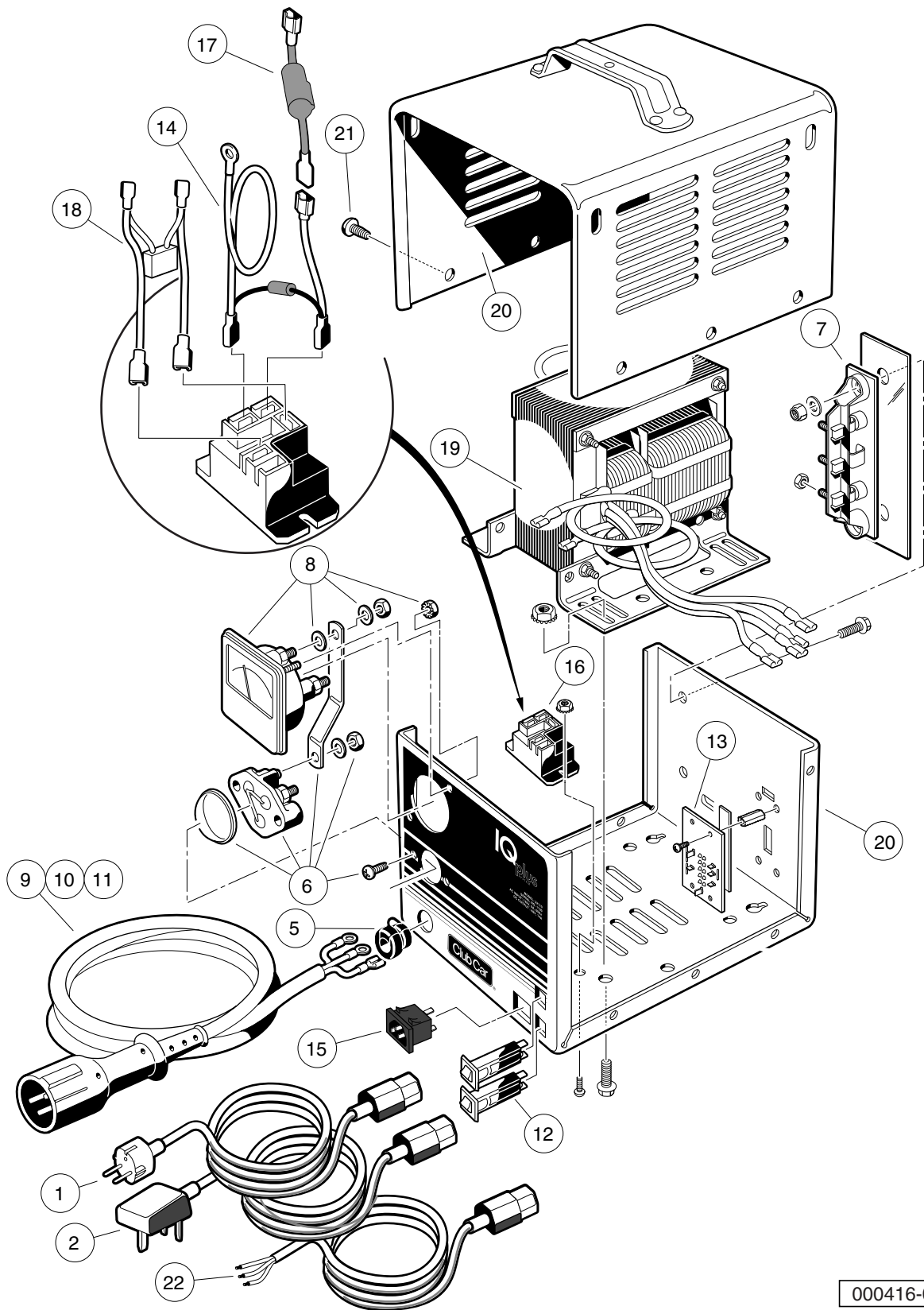
000414-001

IQ PLUS BATTERY CHARGER (MODELS 25730-11,-18,-19), DOMESTIC

| ITEM | PART NO. | DESCRIPTION | QTY |
|------|-----------|--|-----|
| | | 1 2 3 4 | |
| 1 | 102847801 | Charger, IQ Plus, Domestic (9-ft. DC Cord, 6-ft. AC Cord) | 1 |
| 2 | 102847802 | Charger, IQ Plus, Domestic (12-ft. DC Cord, 9-ft. AC Cord) | 1 |
| 3 | 102847803 | Charger, IQ Plus, Domestic (20-ft. DC Cord, 9-ft. AC Cord) (includes items 4 through 20) | 1 |
| 4 | 1012098 | Bushing, DC Cord | 1 |
| 5 | 1012101 | Fuse Assembly | 1 |
| 6 | 1015914 | Rectifier with Heatsink Assembly | 1 |
| 7 | 1015917 | Bushing, AC Cord | 1 |
| 8 | 101828501 | Ammeter | 1 |
| 9 | 101828801 | Cord, AC, 80-Inch (203 cm) | 1 |
| 10 | 101828802 | Cord, AC, 108-Inch (274 cm) | 1 |
| 11 | 101828901 | Cord, DC, 113-Inch (287 cm) | 1 |
| 12 | 101828902 | Cord, DC, 154-Inch (391 cm) | 1 |
| 13 | 101828903 | Cord, DC, 250-Inch (635 cm) | 1 |
| 14 | 101831101 | Wire Assembly Kit | 1 |
| 15 | 101914401 | Assembly, Voltage Suppressor | 1 |
| 16 | 102275401 | Relay, 48-VDC | 1 |
| 17 | 102838101 | Circuit Breaker 250vac-50vdc | 1 |
| 18 | N/A | Transformer, Battery Charger | 1 |
| 19 | N/A | Case, Battery Charger | 1 |
| 20 | 7577 | Screw, #10 X 0.50 Phillips Pan-Head | 10 |

17

E



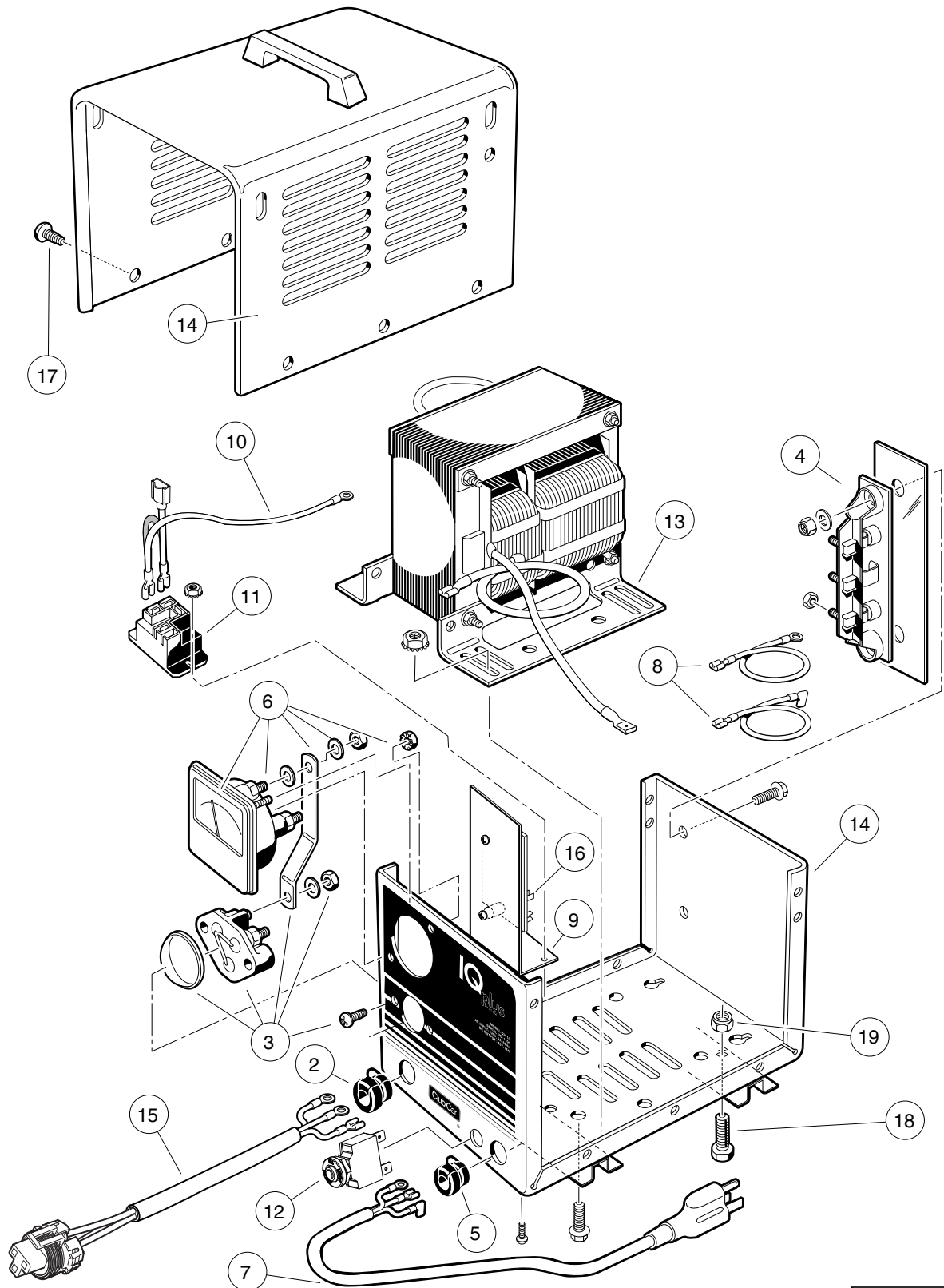
000416-002

IQ PLUS BATTERY CHARGER (MODELS 25880-11 AND -18), INTERNATIONAL

| ITEM | PART NO. | DESCRIPTION | QTY |
|------|-----------|--|-----|
| | | 1 2 3 4 | |
| 1 | 101958201 | Cord, UK, AC, Battery Charger | 1 |
| 2 | 101958301 | Cord, European AC, Battery Charger | 1 |
| 3 | 102892901 | Charger, IQ Plus, International (9-ft. DC Cord) | 1 |
| 4 | 102892902 | Charger, IQ Plus, International (12-ft. DC Cord) (includes items 5 through 21) | 1 |
| 5 | 1012098 | Bushing, DC Cord | 1 |
| 6 | 1012101 | Fuse Assembly | 1 |
| 7 | 1015914 | Rectifier with Heatsink Assembly | 1 |
| 8 | 101828501 | Ammeter | 1 |
| 9 | 101828901 | Cord, DC, 113-Inch (287 cm) | 1 |
| 10 | 101828902 | Cord, DC, 154-Inch (391 cm) | 1 |
| 11 | 101828903 | Cord, DC, 250-Inch (635 cm) | 1 |
| 12 | 101838401 | Circuit Breaker | 2 |
| 13 | 101838601 | Four-Position Switch | 1 |
| 14 | 101914401 | Assembly, Voltage Suppressor | 1 |
| 15 | 101973501 | Receptacle, AC Cord | 1 |
| 16 | 102275401 | Relay, 48-VDC | 1 |
| 17 | N/A | Limiter, Current | 1 |
| 18 | N/A | Wire Assembly, Battery Charger | 1 |
| 19 | N/A | Transformer, Battery Charger | 1 |
| 20 | N/A | Case, Battery Charger | 1 |
| 21 | 7577 | Screw, #10 X 0.50 Phillips Pan-Head | 10 |
| 22 | 102939501 | Cord, European AC, Battery Charger | 1 |

17

E



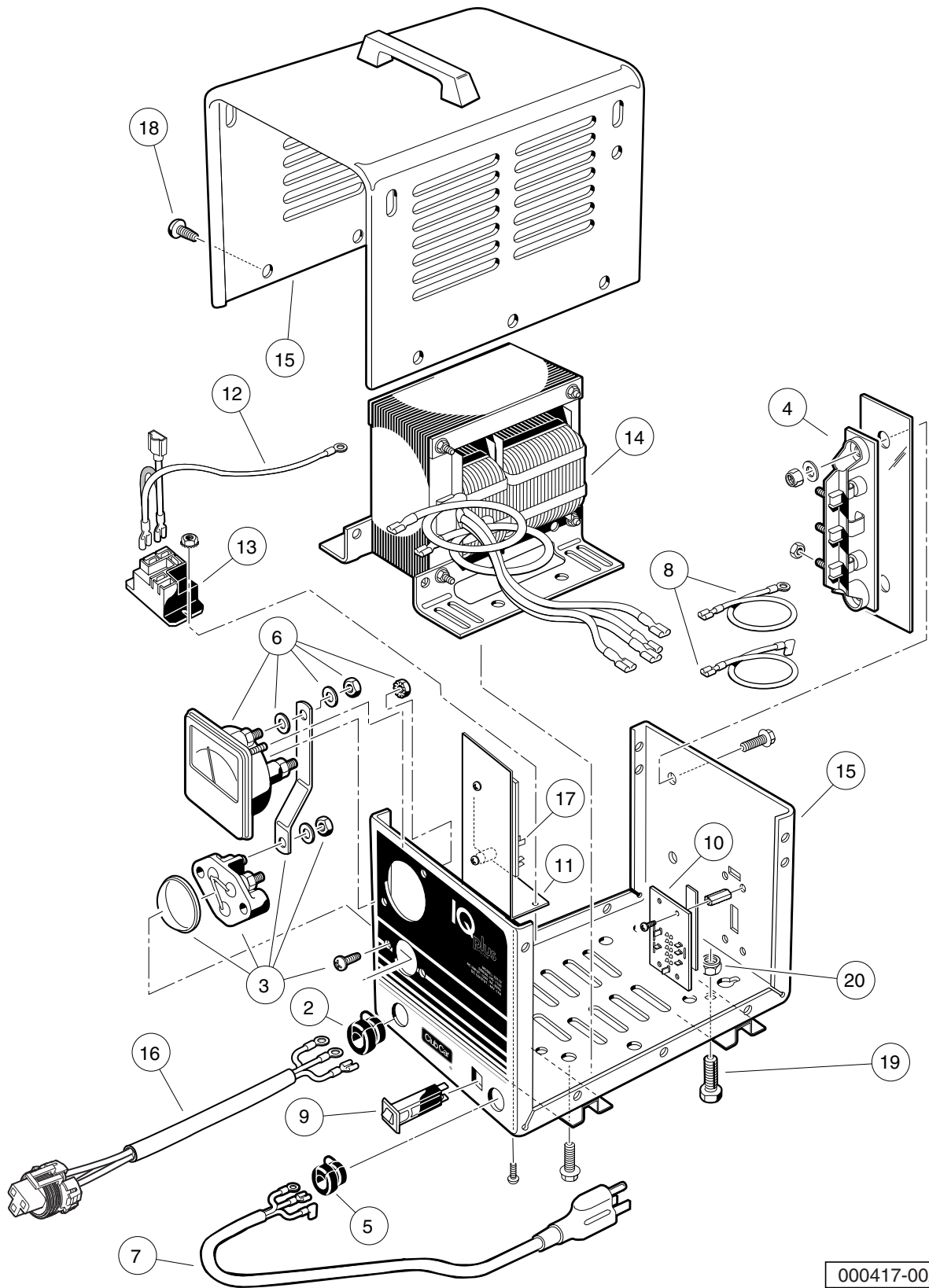
000415-002

ONBOARD IQ PLUS BATTERY CHARGER (MODEL 25260-50), DOMESTIC

| ITEM | PART NO. | DESCRIPTION | QTY |
|---|-----------|---|-----|
| | | 1 2 3 4 | |
| 1 | 103772401 | Charger, IQ Plus, Onboard, Domestic (includes items 2 through 19) | 1 |
| 2 | 1012098 | Bushing, DC Cord | 1 |
| 3 | 1012101 | Fuse Assembly | 1 |
| 4 | 1015914 | Rectifier with Heatsink Assembly | 1 |
| 5 | 1015917 | Bushing, AC Cord | 1 |
| 6 | 101828501 | Ammeter | 1 |
| 7 | 101829001 | Cord, AC, 22-Inch (56 cm) | 1 |
| 8 | 101831101 | Wire Assembly Kit | 1 |
| 9 | 101838701 | Mounting Bracket, Relay | 1 |
| 10 | 101914401 | Assembly, Voltage Suppressor | 1 |
| 11 | 102275401 | Relay, 48-VDC | 1 |
| 12 | 102838101 | Circuit Breaker, 20 Amp | 1 |
| 13 | N/A | Transformer, Battery Charger | 1 |
| 14 | N/A | Case, Battery Charger | 1 |
| 15 | 103832001 | Cord, DC, 20", Charger | 1 |
| 16 | 103869401 | Control Board, Potted | 1 |
| 17 | 7577 | Screw, #10 X 0.50 Phillips Pan-Head | 12 |
| 18 | 7847 | Screw, 1/4-20 X 0.75 Hex-Head Cap | 4 |
| 19 | 8233 | Locknut, 1/4-20, Nylon Insert | 4 |
| Note: DC Cord (item 15) uses the Packard 480 Connector. | | | |

17

E



000417-002

ONBOARD IQ PLUS BATTERY CHARGER (MODEL 25660-50), INTERNATIONAL

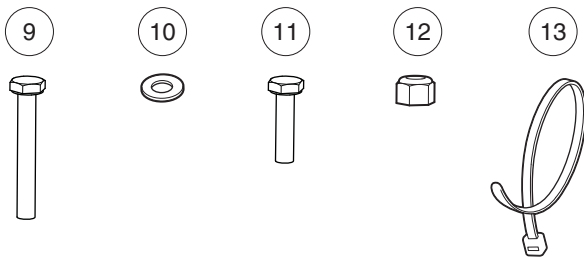
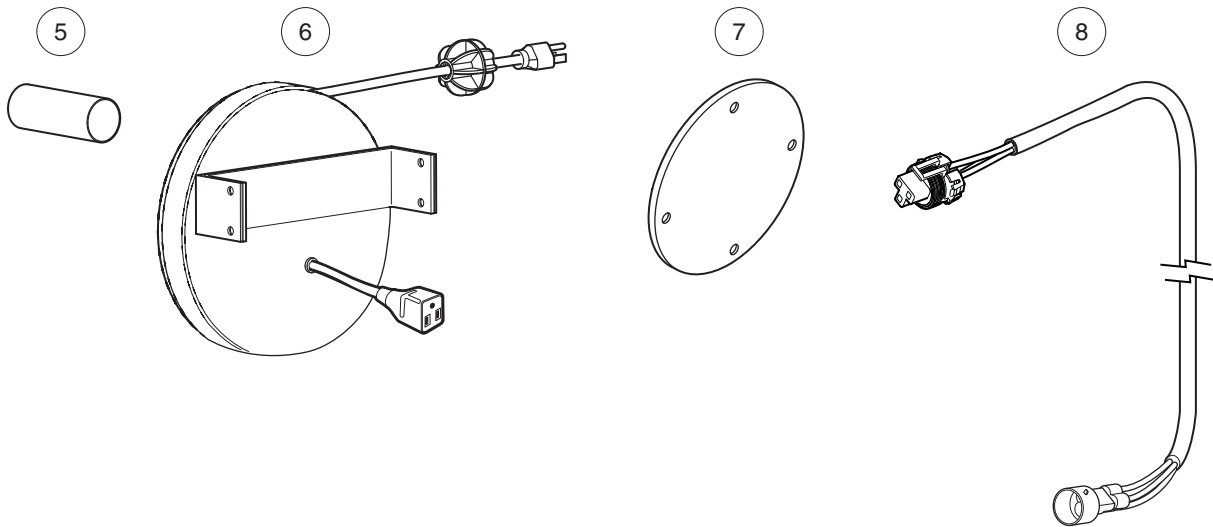
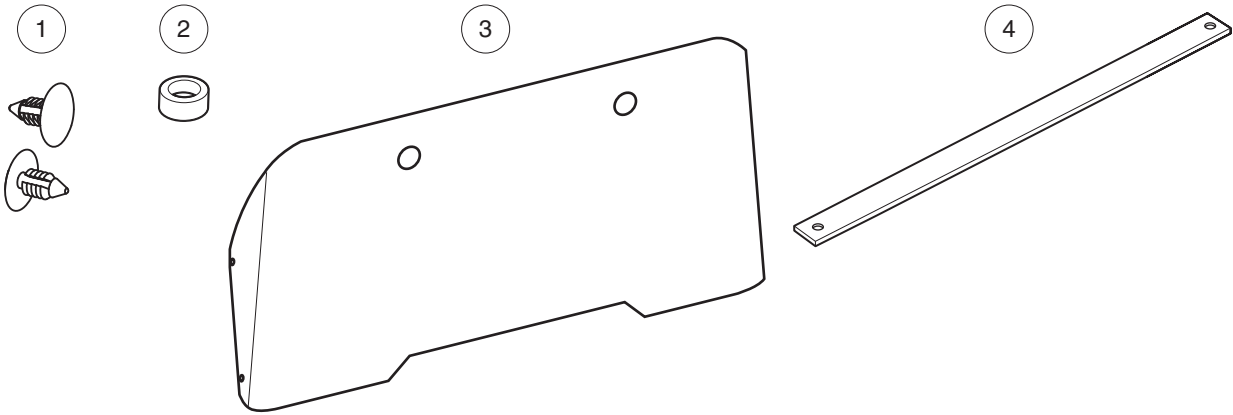
| ITEM | PART NO. | DESCRIPTION | QTY |
|---|-----------|--|-----|
| | | 1 2 3 4 | |
| 1 | 103771601 | Charger, IQ Plus, Onboard, International (includes items 2 through 20) | 1 |
| 2 | 1012098 | Bushing, DC Cord | 1 |
| 3 | 1012101 | Fuse Assembly | 1 |
| 4 | 1015914 | Rectifier with Heatsink Assembly | 1 |
| 5 | 1015917 | Bushing, AC Cord | 1 |
| 6 | 101828501 | Ammeter | 1 |
| 7 | 101829001 | Cord, AC, 22-Inch (56 cm) | 1 |
| 8 | 101831101 | Wire Assembly Kit | 1 |
| 9 | 101838401 | Circuit Breaker | 1 |
| 10 | 101838601 | Four-Position Switch | 1 |
| 11 | 101838701 | Mounting Bracket, Relay | 1 |
| 12 | 101914401 | Assembly, Voltage Suppressor | 1 |
| 13 | 102275401 | Relay, 48-VDC | 1 |
| 14 | N/A | Transformer, Battery Charger | 1 |
| 15 | N/A | Case, Battery Charger | 1 |
| 16 | 103832001 | Cord, DC, 20", Charger | 1 |
| 17 | 103869401 | Control Board, Potted | 1 |
| 18 | 7577 | Screw, #10 X 0.50 Phillips Pan-Head | 12 |
| 19 | 7847 | Screw, 1/4-20 X 0.75 Hex-Head Cap | 4 |
| 20 | 8233 | Locknut, 1/4-20, Nylon Insert | 4 |
| Note: DC Cord (item 16) uses the Packard 480 Connector. | | | |

17

E

17

E



001289-002

ONBOARD IQ PLUS CHARGER AND CORD REEL MOUNTING

| ITEM | PART NO. | DESCRIPTION | QTY |
|--|-----------|--|-----|
| | | 1 2 3 4 | |
| 1 | 1010434 | Barrel - Plastic | 4 |
| 2 | 1010927 | Hill Brake Spacer | 4 |
| 3 | 1011348 | Rear Panel 4 Passenger | 1 |
| 4 | 1011707 | Bracket, Mounting, Battery Charger | 2 |
| 5 | 1017189 | Heat Shrink Tube 1.5"x 4' | 1 |
| 6 | 101965401 | Reel Assy, Retractable Cord | 1 |
| 7 | 103218001 | Cover Plate, Receptacle | 1 |
| 8 | 103772201 | Harness, Ob Charg, Vill, 480 | 1 |
| 9 | 1703 | Screw, 1/4-20 X 1.50 Hx Hd Cap | 4 |
| 10 | 332 | Washer, 1/4 Type A Narrow Flat | 4 |
| 11 | 7847 | Screw, 1/4-20 X 0.75 Hex-Head Cap | 4 |
| 12 | 8233 | Locknut, 1/4-20, Nylon Insert | 8 |
| 13 | 8990 | Tie Wrap, 8" Nylon | 4 |
| Note: Charger Harness (item 8) uses the Packard 480 Connector. | | | |

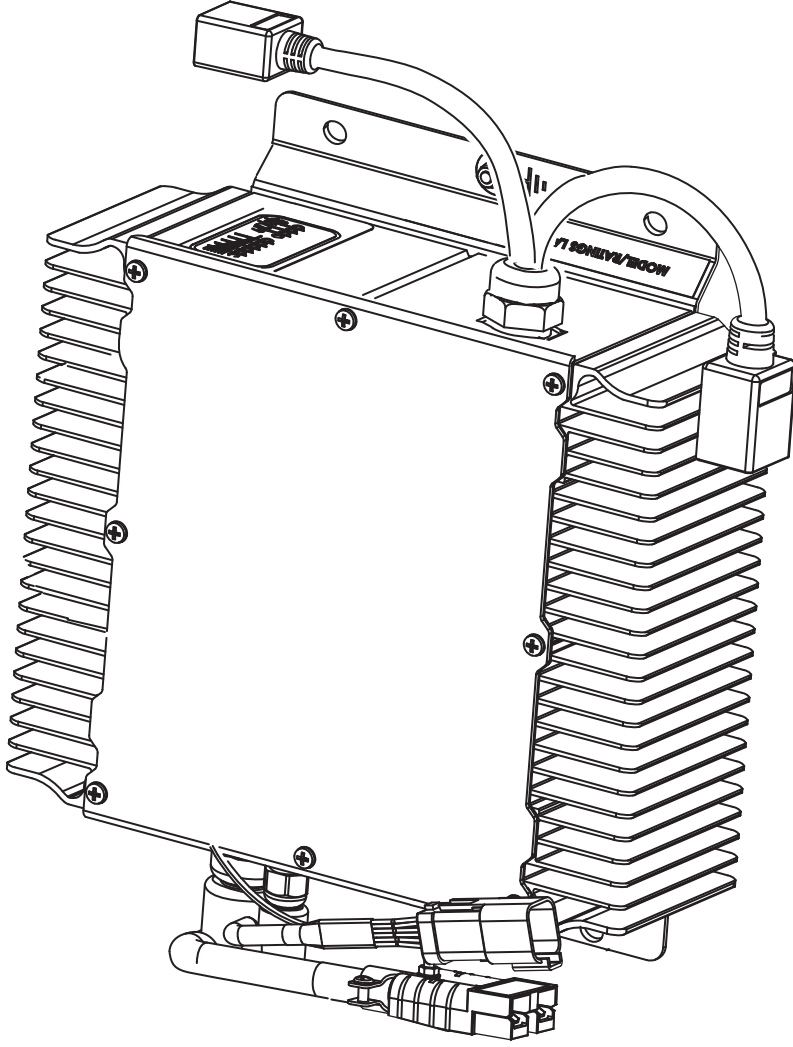
17

E

BATTERY CHARGER – HIGH-FREQUENCY

18

E



1

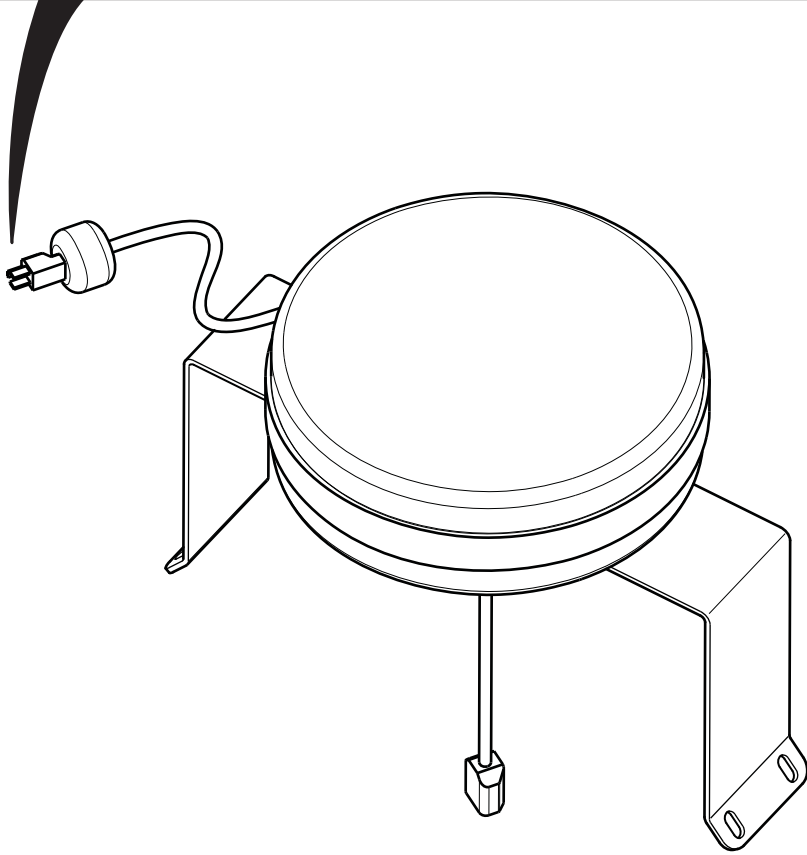
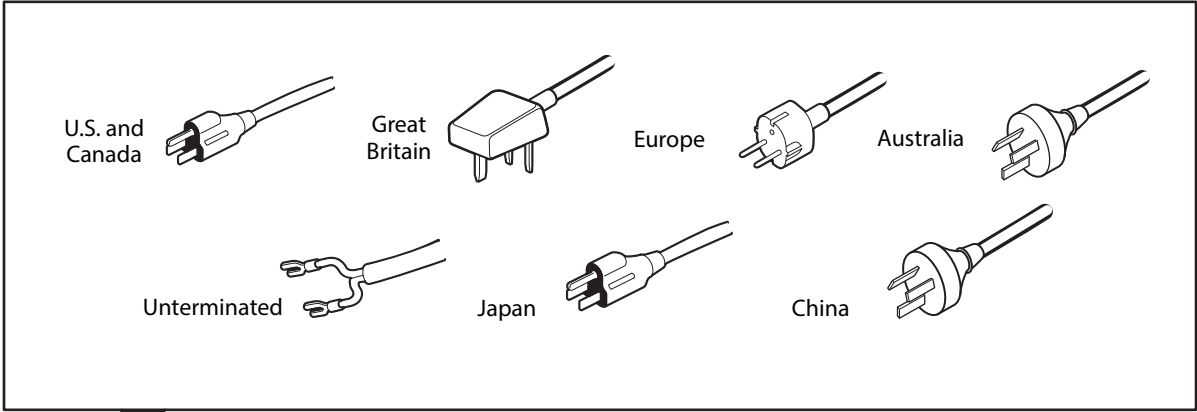
001428-001

HIGH-FREQUENCY BATTERY CHARGER – ONBOARD

| ITEM | PART NO. | DESCRIPTION | QTY |
|------|-----------|--|-----|
| 1 | 105149401 | 1 2 3 4 Chrg, Batt, Onboard, Quiq | 1 |

18

E



- 1
- 2
- 3
- 4
- 5
- 6
- 7

CORD REELS, ONBOARD – HIGH-FREQUENCY CHARGER

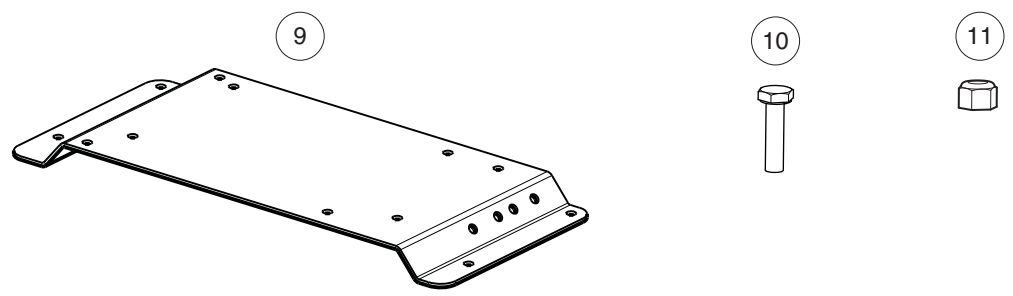
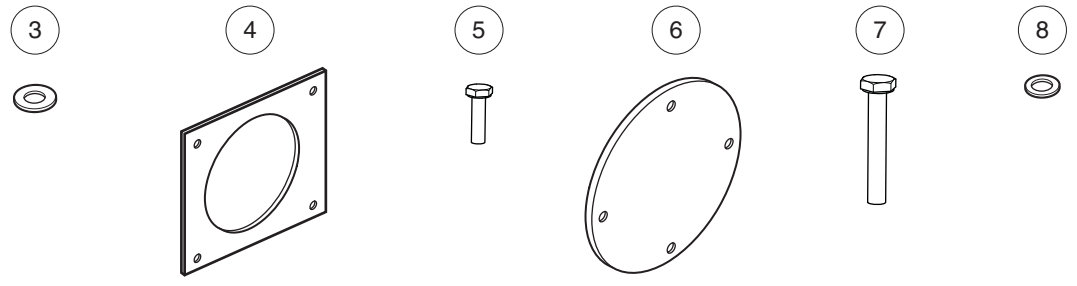
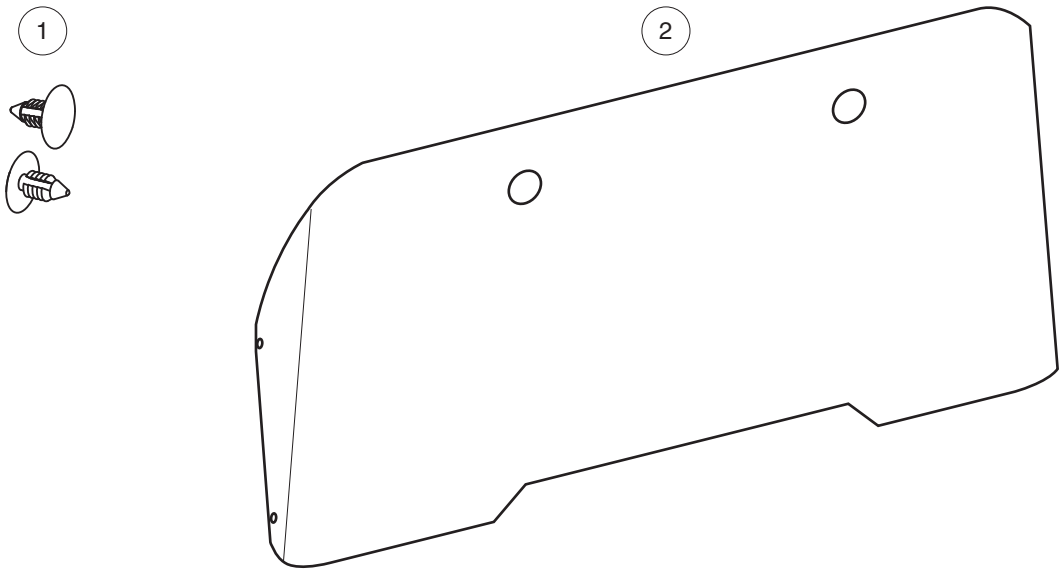
| ITEM | PART NO. | DESCRIPTION | QTY |
|------|-------------|--------------------------------------|-----|
| | | 1 2 3 4 | |
| 1 | 47579307001 | Cord Reel, Retrct, V6/v8 | 1 |
| 2 | 47579307002 | Cord Reel,retrct,v6/v8, Uk | 1 |
| 3 | 47579307003 | Cord Reel,retrct,v6/v8, Eu | 1 |
| 4 | 47579307004 | Cord Reel,retrct,v6/v8, Au | 1 |
| 5 | 47579307005 | Cord Reel,retrct,v6/v8, Unterm | 1 |
| 6 | 47579307006 | Cord Reel,retrct,v6/v8, Japan | 1 |
| 7 | 47579307007 | Cord Reel,retrct,v6/v8, China | 1 |

18

E

18

E



001430-001

CHARGER MOUNTING – ONBOARD HIGH-FREQ.

| ITEM | PART NO. | DESCRIPTION | QTY |
|------|-------------|--|-----|
| | | 1 2 3 4 | |
| 1 | 1010434 | Barrel - Plastic | 4 |
| 2 | 1011348 | Rear Panel 4 Passenger | 1 |
| 3 | 1014306 | Washer, 1/4" Type B Flat | 4 |
| 4 | 101801001 | Plate, Receptacle Backing | 1 |
| 5 | 101832001 | Screw, #7-19 X 0.625 Phillips Pan-Head Tap | 4 |
| 6 | 103218001 | Cover Plate, Receptacle | 1 |
| 7 | 304 | Screw, 1/4-20 X 1.0 Hex-Head Cap | 4 |
| 8 | 332 | Washer, 1/4 Type A Narrow Flat | 12 |
| 9 | 47579306001 | Brkt, Ob Charger, V6/v8 | 1 |
| 10 | 7847 | Screw, 1/4-20 X 0.75 Hex-Head Cap | 8 |
| 11 | 8233 | Locknut, 1/4-20, Nylon Insert | 12 |

18

E

MAINTENANCE AND SERVICE TOOLS

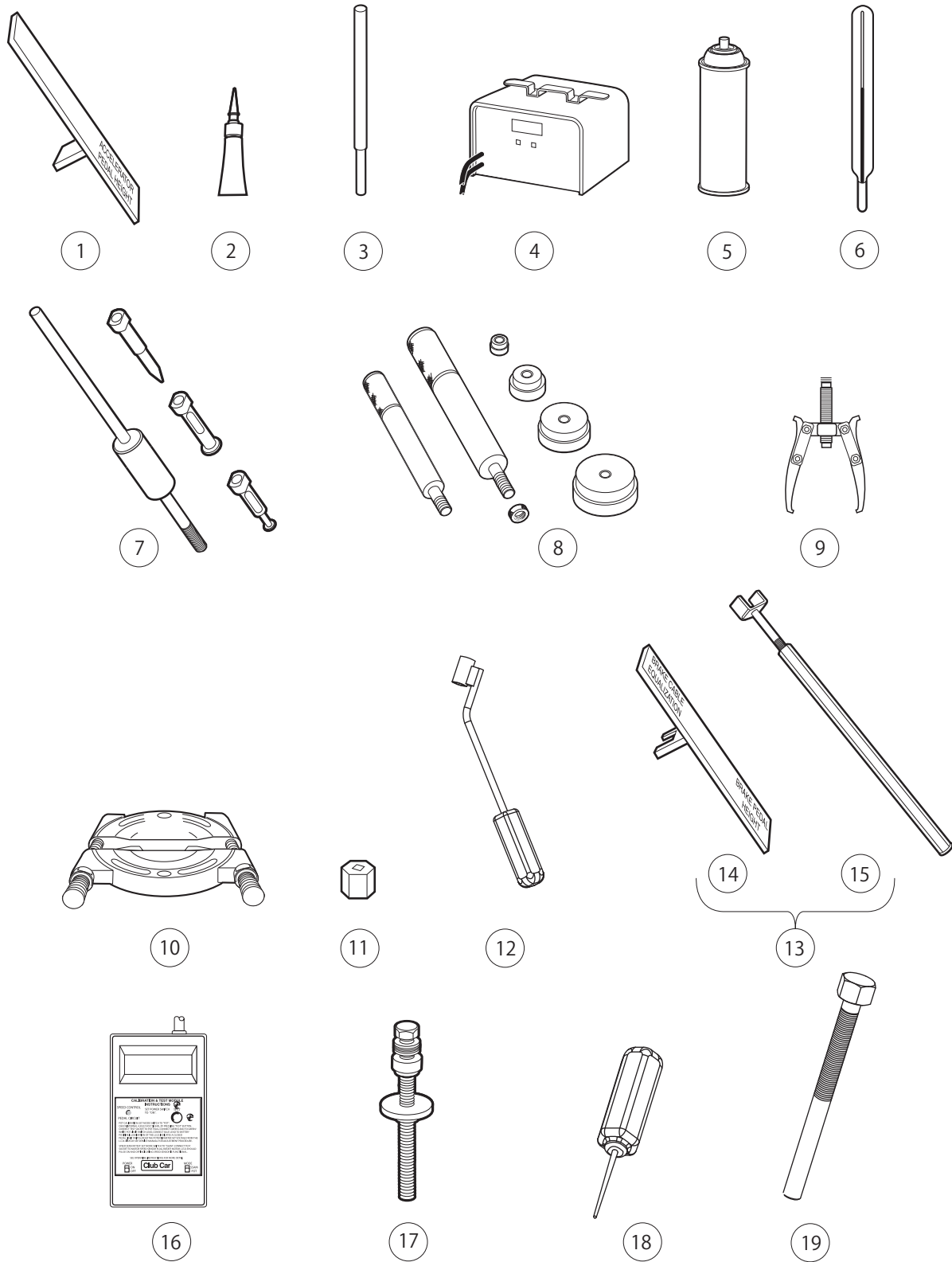
19

G

E

D

19
G
E
D



STF19-0001

MAINTENANCE AND SERVICE TOOLS

| ITEM | PART NO. | DESCRIPTION | QTY DIESEL | QTY GAS | QTY ELEC |
|------|-----------|--|---------------|------------|-------------|
| | | <p style="text-align: center;">1 2 3 4</p> <p>The following tool list includes all tools available from Club Car for maintenance and service procedures for gasoline, electric, and/or diesel vehicles models. Be sure to carefully examine the tool list for applicability to your vehicle before ordering.</p> | | | |
| 1 | 101871001 | Accelerator Pedal Adjustment Tool | | 1 | 1 |
| 2 | 101813202 | Adhesive, Guide Ring, 3-Gram Tube | | | 1 |
| 3 | 101641202 | Arbor | | 1 | |
| 4 | 101831901 | Battery Discharge Machine, 36/48 Volt | | | 1 |
| 5 | 1014305 | Battery Terminal Protector Spray | 1 | 1 | 1 |
| 6 | 1011767 | Battery Thermometer | 1 | 1 | 1 |
| 7 | 1016417 | Bearing and Oil Seal Remover Assembly | 1 | 1 | 1 |
| 8 | 1016416 | Bearing Driver Set | 1 | 1 | 1 |
| 9 | 1012811 | Bearing Puller | 1 | 1 | 1 |
| 10 | 1012812 | Bearing Puller Wedge Attachment | 1 | 1 | 1 |
| 11 | 1013582 | Brake Adjustment Tool (used only on vehicles with manually adjusted mechanical brakes) | | 1 | 1 |
| 12 | 102555501 | Brake Cable Release Tool | 1 | 1 | 1 |
| 13 | 102249901 | Brake Pedal Adjustment Tool Kit (used for the Carryall Electric Industrial Truck only) (includes items 14 and 15)..... | | | 1 |
| 14 | **** | Brake Pedal Adjustment Tool | | | 1 |
| 15 | **** | Brake Pedal Tension Tool | | | 1 |
| 16 | 101887101 | Calibration Test Module | | | 1 |
| 17 | 101808401 | Cam Installation Tool | | 1 | |
| 18 | 102562401 | Charger Bezel Tool | | | 1 |
| 19 | 102686101 | Clutch Removal Tool (for 4x4 vehicles) | 1 | 1 | |
| | | <p>Please refer to the maintenance and service manual for proper tool application.</p> <p>**** Special order item available upon request</p> | | | |

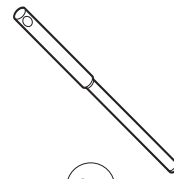
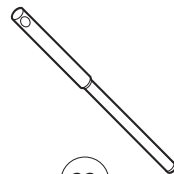
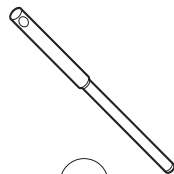
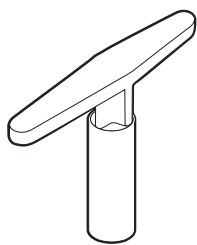
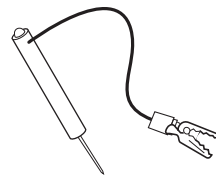
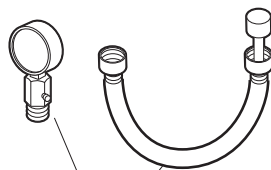
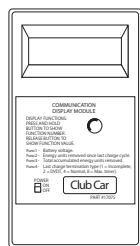
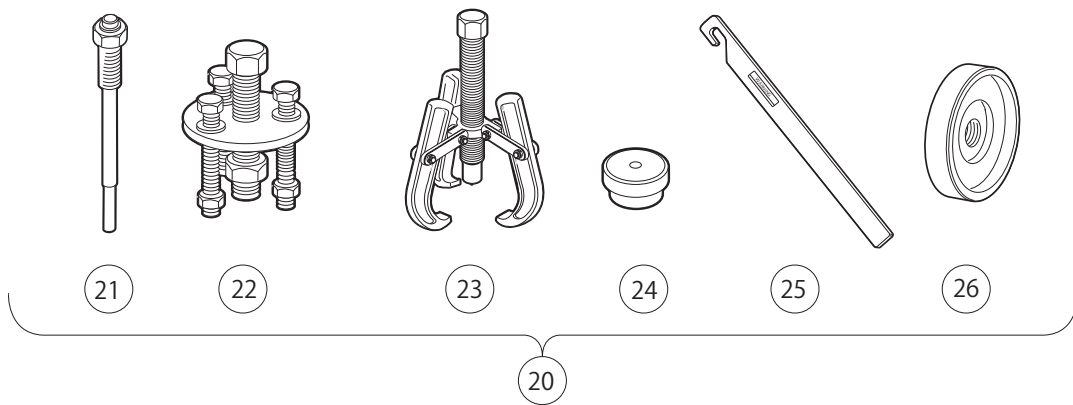
19

G

E

D

19
G
E
D

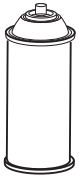


STF19-0002

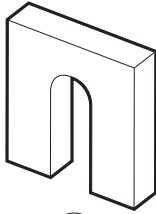
MAINTENANCE AND SERVICE TOOLS, CONTINUED

| ITEM | PART NO. | DESCRIPTION | QTY DIESEL | QTY GAS | QTY ELEC | 19 |
|------|-----------|--|---------------|------------|-------------|-----------|
| | | 1 2 3 4 | | | | G |
| 20 | 1014510 | Clutch Tools Kit (includes items 21 - 27) | | 1 | | E |
| 21 | 1014496 | Drive Clutch Puller (Kohler and Kawasaki engines) | | 1 | | D |
| 22 | 1014497 | Drive Clutch Hub Puller (Kohler and Kawasaki engines) | | 1 | | |
| 23 | 1014508 | Driven Clutch Cam Puller (Kohler and Kawasaki engines) | | 1 | | |
| 24 | 1014507 | Driven Clutch Puller Plug (Kohler and Kawasaki engines) | | 1 | | |
| 25 | 1015524 | Drive Clutch Holder Tool Assembly (for Kawasaki engines only) | | 1 | | |
| 25 | 105072501 | Drive Clutch Holder Tool Assembly (for Kohler engines only) | | 1 | | |
| 26 | 101809101 | Press Weldment (for Kawasaki engines only) | | 1 | | |
| 27 | 101831801 | Communication Display Module | | | 1 | |
| 28 | 101641002 | Compression Gauge and Adapter | | 1 | | |
| 29 | 1011273 | Continuity Tester | | 1 | 1 | |
| 30 | 102774101 | Wrench, T, #505..... | | 1 | | |
| 31 | 102774101 | Adapter, T-Wrench..... | | 1 | | |
| 32 | 102774201 | Pilot, 6.6 MM | | 1 | | |
| 33 | 102774301 | Pilot, 6.62 MM..... | | 1 | | |
| 34 | 102774401 | Pilot, 6.65 MM..... | | 1 | | |
| | | Please refer to the maintenance and service manual for proper tool application. | | | | |

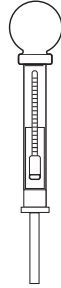
19
G
E
D



35



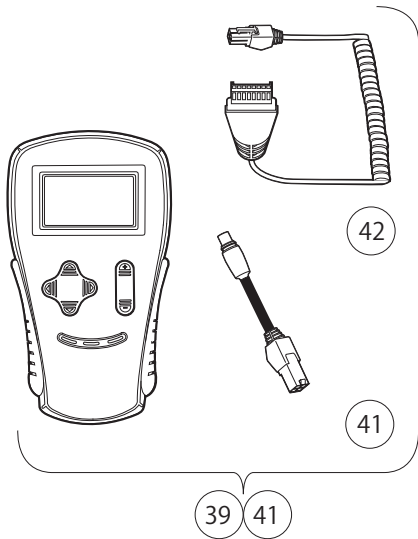
36



37



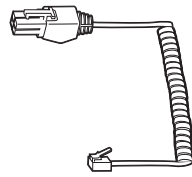
38



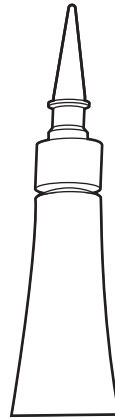
42

41

39 41



43



44



45



46 47



48

STF19-0003

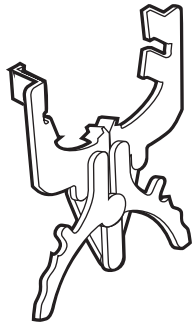
MAINTENANCE AND SERVICE TOOLS, CONTINUED

| ITEM | PART NO. | DESCRIPTION | QTY DIESEL | QTY GAS | QTY ELEC | 19 |
|------|-----------|--|---------------|------------|-------------|-----------|
| | | 1 2 3 4 | | | | |
| 35 | 1012151 | Dry Moly Lubricant | 1 | 1 | 1 | G |
| 36 | 1016418 | Gear Yoke | 1 | 1 | 1 | E |
| 37 | 1011478 | Hydrometer | 1 | 1 | 1 | D |
| 38 | 1013593 | Internal Retaining Ring Pliers | 1 | 1 | 1 | |
| 39 | 102248803 | Kit, IQDM User Series 40602 (IQ System and IQ Plus vehicles) (includes items 41 and 42) | | | 1 | |
| 40 | 102248804 | Kit, IQDM Programmable OEM Series II (IQ System and IQ Plus vehicles) (includes items 41 and 42) | | | 1 | |
| 41 | 102251501 | Adaptor, Cable | | | 1 | |
| 42 | 102241502 | IQDM Series 2 Cable | | | 1 | |
| 43 | 102241501 | IQDM Series 1 Cable (replacement) | | | 1 | |
| 44 | 101928701 | Liquid Gasket (transaxle case) | 1 | 1 | 1 | |
| 45 | 102243402 | Moly-Teflon Lubricant (4-oz. (113-gram) tube) | | | 1 | |
| 46 | 101997201 | Paint, Touch-Up – Beige* | | 1 | 1 | |
| 46 | 101997207 | Paint, Touch-Up – Black* | | 1 | 1 | |
| 46 | 101997212 | Paint, Touch-Up – Burgundy* | | 1 | 1 | |
| 46 | 101997211 | Paint, Touch-Up – Classic Blue (Navy)* | | 1 | 1 | |
| 46 | 101997205 | Paint, Touch-Up – Dark Gray* | 1 | 1 | 1 | |
| 46 | 101997209 | Paint, Touch-Up – Dark Green* | 1 | 1 | 1 | |
| 46 | 101997204 | Paint, Touch-Up – Gray* | 1 | 1 | 1 | |
| 46 | 101997203 | Paint, Touch-Up – Red* | 1 | 1 | 1 | |
| 46 | 101997206 | Paint, Touch-Up – Royal Blue (Pacific Blue)* | | 1 | 1 | |
| 46 | 101997202 | Paint, Touch-Up – White* | 1 | 1 | 1 | |
| 47 | 102562301 | Paint, Precedent Underbody – Gray | | 1 | 1 | |
| 48 | 102587201 | Paint Pen, Touch-Up, Precedent Underbody – Black | | 1 | 1 | |
| | | Please refer to the maintenance and service manual for proper tool application. | | | | |
| | | * Item 47 is not for use on Surlyn [®] body material, which is used on Precedent vehicles. | | | | |

19
G
E
D



49



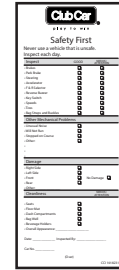
50



51



52



53



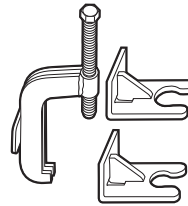
54



55



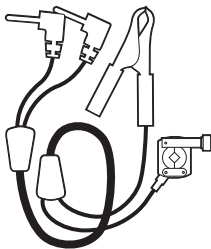
56



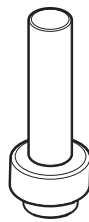
57



58



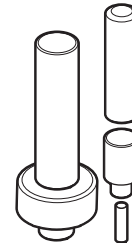
59



60



61



62

STF19-0004

MAINTENANCE AND SERVICE TOOLS, CONTINUED

| ITEM | PART NO. | DESCRIPTION | QTY DIESEL | QTY GAS | QTY ELEC |
|------|-----------|---|---------------|------------|-------------|
| | | 1 2 3 4 | | | |
| 49 | 1016414 | Piston Ring Compressor Kit (FE290, FE350 and FE400 engines) | | 1 | |
| 50 | 1016415 | Piston Ring Pliers (for Kawasaki Engines) | | 1 | |
| 51 | 1012549 | Retaining Ring Pliers, 45° External | 1 | 1 | 1 |
| 52 | 1012560 | Retaining Ring Pliers, 90° Internal | 1 | 1 | 1 |
| 53 | 101823101 | Safety First Card (50 per pack) | 1 | 1 | 1 |
| 54 | 1012809 | Seal Puller | 1 | 1 | 1 |
| 55 | 1014264 | Steering Column Bearing Press Tool | | 1 | 1 |
| 56 | 1014259 | Steering Column Retaining Ring Tool | | 1 | 1 |
| 57 | 102061201 | Steering Wheel Puller Tool | 1 | 1 | 1 |
| 58 | AM10753 | Tachometer (includes gasoline engine pick up lead only) | 1 | 1 | |
| 59 | AM10771 | Tachometer Diesel Probe (for use with item 73) | 1 | | |
| 60 | 1014162 | Transaxle Axle Seal Tool | | 1 | |
| 61 | 1014161 | Transaxle Pinion Seal Tool | | 1 | |
| 62 | 1014115 | Transmission Tool Kit | | 1 | |

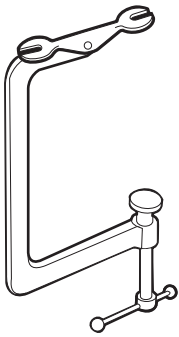
19

G

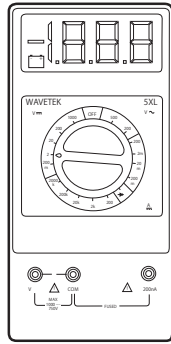
E

D

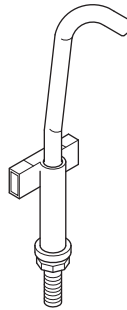
19
G
E
D



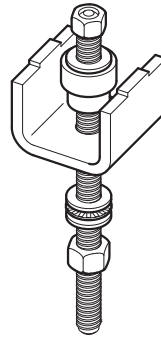
63



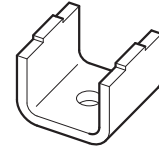
64



65



66



67



68



69



70

STF19-0005

MAINTENANCE AND SERVICE TOOLS, CONTINUED

| ITEM | PART NO. | DESCRIPTION | QTY DIESEL | QTY GAS | QTY ELEC |
|------|-------------|--|---------------|------------|-------------|
| | | 1 2 3 4 | | | |
| 63 | 101641101 | Valve Spring Compressor | | 1 | |
| 64 | 1011480 | Volt Ohm Meter | 1 | 1 | 1 |
| 65 | 102570401 | Tool, Tensioning, Starter Generator (For Precedent vehicles) | | 1 | |
| | | Kohler ECH440 Specific Items | | | |
| 66 | 47568549001 | Driven Clutch Tool | | 1 | |
| 67 | 47568246001 | Plate, Cam Press (supplied with 47568549001) | | 1 | |
| 68 | 47631025001 | Kit, EFI Diagnostics | | 1 | |
| 69 | 47631026001 | Kit, Bluetooth EFI Diagnostics | | 1 | |
| 70 | 47631075001 | Kit, EFI Tool | | 1 | |

19

G

E

D

INDEX

Part Number and Page

| | | | | | |
|-----------|--|--|--|------------------|--|
| AM10753 | 19-9 | 5-5, 5-7, 5-15, 5-21, 5-23, 6-25, 7-13, 7-15, 7-21, 9-15 | 1010829 | 5-15, 5-21, 5-23 | |
| AM10771 | 19-9 | 7479 | 1-67, 1-69 | 1010850 | 5-13, 5-17, 5-19 |
| AM10419 | 11-9 | 7577 | 17-3, 17-5, 17-7, 17-9 | 1010877 | 5-3 |
| AM1243501 | 4-33 | 7591 | 4-5, 4-7, 4-9, 4-11, 4-13, 4-41 | 1010878 | 5-3 |
| AM1243701 | 4-33 | 7716 | 5-3 | 101090801 | 13-13, 13-15, 14-11, 14-13 |
| AM1243801 | 4-33 | 7818 | 7-13, 7-15 | 1010909 | 4-5 |
| AM1300001 | 13-19, 14-17 | 7820 | 4-35 | 1010921 | 5-3 |
| AM1300101 | 13-19, 14-17 | 7840 | 6-13 | 1010927 | 5-3, 17-11 |
| AM1300201 | 13-19, 14-17 | 7847 | 1-13, 1-41, 17-7, 17-9, 17-11, 18-7 | 1010932 | 5-3 |
| AM1300301 | 13-19, 14-17 | 7893 | 4-5, 4-15, 4-17, 7-13, 7-15 | 1010933 | 5-3 |
| SVP119201 | 4-33 | 7910 | 6-13 | 1010934 | 7-21, 15-3 |
| SVP143902 | 1-5 | 7973 | 1-9 | 1010954 | 7-13, 7-15 |
| SVP493201 | 4-33 | 8028 | 1-51 | 1010984 | 2-3 |
| 183 | 1-55, 1-57, 1-59, 1-61, 4-5, 4-7, 4-9, 4-11, 4-13, 4-15, 4-17, 4-33, 11-5, 11-7 | 8056 | 4-39, 7-19 | 1010993 | 1-31, 1-35, 1-41 |
| 304 | 4-35, 18-7 | 8057 | 4-39, 7-15, 7-17, 7-19 | 1011014 | 1-3 |
| 324 | 1-55, 1-57, 1-59, 1-61, 1-63, 1-65, 1-67, 1-69 | 8058 | 4-39, 7-15, 7-17, 7-19 | 1011017 | 1-3, 4-25 |
| 332 | 1-23, 1-29, 1-31, 1-33, 1-35, 1-39, 1-41, 1-51, 1-53, 1-63, 1-65, 1-67, 1-69, 4-35, 17-11, 18-7 | 8067 | 6-13 | 1011084 | 5-9, 5-11 |
| 334 | 5-5, 5-7, 6-3, 6-5, 11-5, 11-7 | 8104 | 1-55, 1-57, 1-59, 1-61, 4-15, 4-17 | 1011114 | 5-13, 5-17, 5-19, 9-11, 12-11 |
| 343 | 1-55, 1-57, 1-59, 1-61 | 8233 | 1-23, 1-29, 1-31, 1-33, 1-35, 1-39, 1-41, 1-53, 1-55, 1-57, 1-59, 1-61, 1-63, 1-65, 1-67, 1-69, 4-35, 4-37, 5-5, 5-7, 6-25, 9-11, 12-11, 17-7, 17-9, 17-11, 18-7 | 1011137 | 5-13, 5-19 |
| 357 | 6-17, 6-19, 6-25 | 8248 | 1-15 | 1011154 | 5-13, 5-17, 5-19 |
| 451 | 1-39, 5-13, 5-17, 5-19, 15-3 | 8251 | 1-23, 1-29, 1-31, 1-33, 1-35, 1-41, 1-49, 1-51 | 1011210 | 1-51 |
| 706 | 6-17, 6-19 | 8294 | 4-35 | 1011219 | 1-51 |
| 808 | 6-25 | 8304 | 1-51 | 1011220 | 1-51 |
| 1016 | 4-5, 4-15, 4-17 | 8450 | 11-5, 11-7 | 1011221 | 1-51 |
| 1017 | 4-3 | 8639 | 4-33, 7-13, 7-15, 13-23, 14-21 | 1011222 | 1-51 |
| 1028 | 5-3 | 8717 | 5-5, 5-7, 7-13, 7-15, 12-3 | 1011229 | 4-5, 4-7, 4-9, 4-11, 4-13, 4-39 |
| 1032 | 5-3 | 8745 | 6-17 | 1011273 | 19-5 |
| 1218 | 1-5, 1-53, 1-55, 1-57, 1-59, 1-61, 1-63, 1-65, 1-67, 1-69, 9-15 | 8754 | 5-5, 5-7, 6-3, 6-5, 6-15, 6-17, 6-19, 6-21, 6-23, 7-9 | 1011280 | 4-5, 4-7, 4-9, 4-11, 4-13 |
| 1241 | 1-3, 1-5, 1-39, 1-51, 1-53, 1-59, 1-61, 4-5, 4-7, 4-9, 4-11, 4-13, 5-3, 5-5, 5-7, 5-21, 5-23, 7-13, 7-15, 7-21, 9-15 | 8755 | 6-17, 6-19, 6-21 | 1011298 | 5-13, 5-17, 5-19 |
| 1242 | 5-15, 5-21, 5-23, 7-9, 7-13, 7-15 | 8861 | 6-15, 6-25 | 1011303 | 5-13, 5-17, 5-19 |
| 1620 | 4-3 | 8915 | 1-55, 1-57, 1-63, 1-65 | 1011314 | 5-13, 5-17, 5-19 |
| 1624 | 5-5, 5-7, 6-3, 7-9 | 8935 | 1-5 | 1011348 | 17-11, 18-7 |
| 1703 | 17-11 | 8963 | 1-51, 1-59, 1-61 | 1011382 | 4-19, 4-21, 4-23 |
| 2402 | 6-15, 6-17, 6-19 | 8990 | 4-15, 4-17, 4-29, 4-31, 4-37, 6-3, 12-5, 12-7, 13-23, 14-21, 17-11 | 1011393 | 6-13 |
| 4029 | 4-35 | 1010005 | 6-13 | 1011394 | 1-3 |
| 7048 | 6-13 | 1010124 | 6-17, 6-19 | 1011402 | 5-3 |
| 7173 | 1-15, 4-5, 4-7, 4-9, 4-11, 4-13, 6-25, 7-21 | 1010138 | 6-15 | 1011415 | 6-21, 6-23 |
| 7174 | 6-7, 7-9, 15-3 | 1010145 | 6-21, 6-23 | 1011418 | 5-3 |
| 7251 | 1-3, 1-15 | 1010150 | 6-17, 6-19 | 1011439 | 4-5, 4-7, 4-9, 4-11, 4-13 |
| 7270 | 6-17 | 1010200 | 6-19 | 101146302 | 5-13, 5-17, 5-19 |
| 7274 | 6-13 | 1010237 | 1-55, 1-57, 1-59, 1-61, 1-63, 1-65, 1-67, 1-69 | 1011464 | 5-13, 5-17, 5-19 |
| 7308 | 6-13 | 1010434 | 1-3, 1-7, 1-29, 1-31, 1-33, 1-35, 1-41, 1-53, 17-11, 18-7 | 1011465 | 5-13, 5-17, 5-19 |
| 7310 | 2-3 | 1010435 | 1-3, 1-53 | 1011466 | 5-13, 5-17, 5-19 |
| 7311 | 6-25 | 1010436 | 1-51 | 1011467 | 5-13, 5-17, 5-19 |
| 7330 | 16-3 | 1010543 | 1-19, 1-51 | 1011478 | 19-7 |
| 7335 | 16-3 | 1010546 | 1-3 | 1011480 | 19-11 |
| 7336 | 16-3 | 1010577 | 1-39 | 1011494 | 5-13, 5-17, 5-19 |
| 7410 | 1-53 | 1010805 | 5-3 | 1011497 | 4-41 |
| 7473 | 1-3, 1-5, 1-39, 1-51, 1-53, 1-55, 1-57, 1-59, 1-61, 1-63, 1-65, 4-5, 4-7, 4-9, 4-11, 4-13, 5-3, | | | 1011557 | 4-5, 4-7, 4-9, 4-11, 4-13, 4-41 |
| | | | | 1011558 | 4-41 |
| | | | | 1011578 | 1-5, 1-51, 6-5, 13-13, 13-15, 14-11, 14-13 |
| | | | | 1011582 | 4-41 |
| | | | | 1011590 | 4-15 |
| | | | | 1011652 | 1-19, 1-37 |
| | | | | 1011694 | 5-5, 5-7 |

INDEX

| | | | | | |
|-----------|--|---------|---|-----------|--|
| 1011697 | 1-55, 1-57, 1-63, 1-65, 6-5, 10-3 | 1013035 | 6-3 | 1014198 | 3-15 |
| 1011707 | 17-11 | 1013042 | 6-3, 6-15 | 1014201 | 1-63, 1-65, 1-67, 1-69, 15-3 |
| 1011734 | 5-9, 5-11 | 1013044 | 6-3 | 1014213 | 6-5 |
| 1011767 | 19-3 | 1013052 | 6-3 | 1014214 | 6-5 |
| 1011779 | 5-15, 5-21, 5-23 | 1013061 | 1-55, 1-57, 1-59, 1-61, 13-9, 13-11, 14-9 | 1014217 | 6-5 |
| 1011825 | 4-35 | 1013135 | 6-13 | 1014259 | 19-9 |
| 1011843 | 4-41 | 1013207 | 6-21 | 1014264 | 19-9 |
| 1011852 | 1-55, 1-57, 1-59, 1-61, 1-63, 1-65, 1-67, 1-69 | 1013216 | 1-49 | 1014276 | 6-17, 6-19 |
| 1011862 | 1-55, 1-57, 1-59, 1-61, 1-63, 1-65, 1-67, 1-69 | 1013218 | 1-49 | 1014287 | 11-5, 11-7 |
| 1011865 | 1-55, 1-57, 1-59, 1-61, 1-63, 1-65, 1-67, 1-69 | 1013312 | 1-19 | 1014288 | 6-5, 11-5, 11-7 |
| 101187702 | 5-3 | 1013343 | 1-9 | 1014305 | 19-3 |
| 1011878 | 1-15 | 1013344 | 1-9 | 1014306 | 1-23, 1-41, 4-37, 18-7 |
| 1011883 | 1-55, 1-57, 1-59, 1-61, 1-63, 1-65, 1-67, 1-69 | 1013357 | 1-47, 4-5, 4-7, 4-9, 4-11, 4-13, 13-5, 13-7, 14-5, 14-7 | 1014392 | 1-41 |
| 1011887 | 6-13 | 1013494 | 4-19, 4-21, 4-23 | 101444101 | 1-27 |
| 1011892 | 6-13 | 1013509 | 1-63, 1-65, 1-67, 1-69 | 1014453 | 11-5, 11-7 |
| 1011897 | 1-27 | 1013531 | 5-21, 5-23 | 1014454 | 11-9 |
| 1011931 | 5-5, 5-7 | 1013547 | 4-37 | 1014471 | 1-55, 1-57, 1-59, 1-61, 1-63, 1-65, 1-67, 1-69 |
| 1011937 | 1-55, 1-57, 1-59, 1-61, 1-63, 1-65, 1-67, 1-69 | 1013579 | 4-37 | 1014496 | 19-5 |
| 1011964 | 1-55, 1-57, 1-59, 1-61, 1-63, 1-65, 1-67, 1-69 | 1013582 | 19-3 | 1014497 | 19-5 |
| 1011988 | 1-53 | 1013589 | 7-13, 7-15 | 1014507 | 19-5 |
| 1012098 | 17-3, 17-5, 17-7, 17-9 | 1013593 | 19-7 | 1014508 | 19-5 |
| 1012101 | 17-3, 17-5, 17-7, 17-9 | 1013609 | 7-13, 7-15 | 1014510 | 19-5 |
| 1012126 | 13-11, 14-9 | 1013677 | 3-5 | 1014530 | 4-35 |
| 1012151 | 19-7 | 1013734 | 13-21, 14-19 | 1014540 | 4-37 |
| 1012159 | 1-55, 1-57, 1-59, 1-61 | 1013746 | 9-5 | 1014555 | 6-21, 6-23 |
| 1012180 | 6-21 | 1013794 | 16-3 | 1014789 | 7-3, 7-5 |
| 1012181 | 6-23 | 1013824 | 1-15 | 1014807 | 7-15, 7-17, 7-19 |
| 1012182 | 6-23 | 1013825 | 1-15 | 1014808 | 7-15, 7-17, 7-19 |
| 1012285 | 1-23, 1-39, 4-37 | 1013846 | 1-15 | 1014902 | 6-23 |
| 1012295 | 7-13, 7-15 | 1013869 | 5-3 | 1015010 | 4-33 |
| 1012303 | 6-17, 6-19, 6-21, 6-23 | 1013870 | 5-3 | 101503202 | 1-9 |
| 1012304 | 6-21 | 1013876 | 5-3 | 1015072 | 13-13, 13-15, 14-11, 14-13 |
| 1012396 | 4-19 | 1013924 | 5-13, 5-17, 5-19, 8-7 | 1015075 | 1-3 |
| 1012412 | 1-29, 1-31, 1-33, 1-35, 1-41 | 1014007 | 1-51, 5-5, 5-7, 9-11, 12-3, 12-11 | 1015091 | 1-51, 1-55, 1-57, 1-59, 1-61, 1-63, 1-65, 1-67, 1-69 |
| 1012431 | 4-39, 7-15 | 1014051 | 11-7 | 1015156 | 4-33 |
| 1012438 | 4-7, 4-9, 4-11, 4-13, 4-33 | 1014055 | 11-5, 11-7 | 1015167 | 4-33 |
| 1012505 | 4-19, 4-21, 4-23 | 1014056 | 11-5, 11-7 | 1015170 | 4-33 |
| 1012528 | 13-21, 14-19 | 1014057 | 11-5, 11-7 | 1015187 | 4-33 |
| 1012549 | 19-9 | 1014058 | 11-5, 11-7 | 1015332 | 7-3, 7-5 |
| 1012560 | 19-9 | 1014059 | 11-5, 11-7 | 1015373 | 7-13, 7-15 |
| 1012565 | 6-11 | 1014062 | 11-5, 11-7 | 1015392 | 1-55, 1-57, 1-59, 1-61 |
| 1012566 | 6-11 | 1014063 | 11-5, 11-7 | 1015405 | 1-3, 1-55, 1-57, 1-63, 1-65, 7-13, 7-15 |
| 1012581 | 1-29, 1-31, 1-33, 1-35, 1-49 | 1014065 | 7-13, 7-15, 11-5, 11-7 | 1015453 | 6-25 |
| 1012604 | 6-5 | 1014072 | 11-9 | 1015457 | 6-25 |
| 1012605 | 6-5 | 1014078 | 11-9 | 101547601 | 3-7, 3-13 |
| 1012649 | 9-5 | 1014080 | 11-9 | 1015524 | 19-5 |
| 1012809 | 19-9 | 1014115 | 19-9 | 1015525 | 1-49 |
| 1012811 | 19-3 | 1014116 | 9-3 | 1015526 | 4-33 |
| 1012812 | 19-3 | 1014125 | 6-5 | 1015528 | 4-19, 4-21, 4-23 |
| 1012836 | 11-9 | 1014126 | 6-5 | 1015583 | 6-17, 6-19 |
| 1013032 | 1-49 | 1014145 | 7-13, 7-15 | 101558302 | 6-21, 6-23 |
| | | 1014153 | 5-13 | 1015597 | 6-13 |
| | | 1014161 | 19-9 | 1015608 | 1-5 |
| | | 1014162 | 19-9 | 1015613 | 6-25 |

INDEX

| | | | | | |
|-----------|---|-----------|---------------------------|-----------|------------------------|
| 1015614 | 6-25 | 1016418 | 19-7 | 101693913 | 1-3 |
| 101562711 | 1-51 | 1016423 | 4-5, 4-7, 4-9, 4-11, 4-13 | 101693914 | 1-3 |
| 101562712 | 1-51 | 1016557 | 5-13, 5-17, 5-19 | 1016952 | 1-13 |
| 101562714 | 1-51 | 1016573 | 5-13, 5-17, 5-19 | 1016967 | 1-3, 13-21, 14-19 |
| 101562715 | 1-51 | 1016668 | 1-53 | 1017029 | 5-3 |
| 101564804 | 1-51 | 101674702 | 5-9 | 1017035 | 4-41 |
| 101564805 | 1-51 | 101674704 | 5-11 | 101705701 | 3-3, 3-9 |
| 101564807 | 1-51 | 1016751 | 1-21 | 1017062 | 4-3 |
| 101564808 | 1-51 | 101675511 | 1-21 | 1017064 | 4-3 |
| 1015720 | 4-39, 13-21, 14-19 | 101675512 | 1-21 | 1017065 | 4-3 |
| 1015737 | 7-13, 7-15 | 101675514 | 1-21 | 101707402 | 4-15 |
| 1015741 | 4-5, 4-7, 4-9, 4-11, 4-13, 7-13, 7-15 | 101675515 | 1-21 | 101707405 | 4-17 |
| 1015752 | 7-13, 7-15 | 101677701 | 1-21 | 1017075 | 4-15, 4-17 |
| 1015760 | 6-25 | 101677702 | 1-21 | 1017080 | 1-3 |
| 1015768 | 4-33 | 101677703 | 1-21 | 101708301 | 1-13 |
| 1015770 | 4-33 | 101677705 | 1-21 | 1017141 | 1-41 |
| 101587714 | 9-5 | 1016781 | 1-55, 1-57, 1-59, 1-61 | 1017185 | 1-55, 1-57, 1-59, 1-61 |
| 1015878 | 7-15, 7-17, 7-19 | 1016793 | 1-55, 1-57, 1-59, 1-61 | 1017189 | 17-11 |
| 1015902 | 1-23, 1-39 | 1016794 | 1-55, 1-57, 1-59, 1-61 | 1017211 | 5-15 |
| 1015914 | 17-3, 17-5, 17-7, 17-9 | 101679901 | 1-57, 1-61 | 1017226 | 6-7 |
| 1015917 | 17-3, 17-7, 17-9 | 101679902 | 1-55, 1-59 | 1017259 | 1-23 |
| 1015932 | 7-9 | 1016801 | 11-5, 11-7 | 1017266 | 6-15 |
| 101611402 | 16-5 | 1016811 | 1-13 | 1017273 | 6-9, 6-11 |
| 1016154 | 6-11 | 1016813 | 6-25 | 101728201 | 1-19 |
| 1016183 | 6-5 | 1016814 | 6-25 | 101728202 | 1-37 |
| 1016201 | 11-5, 11-7 | 1016835 | 1-53 | 101728203 | 1-19 |
| 1016214 | 6-11 | 1016842 | 1-53 | 101728204 | 1-37 |
| 1016230 | 4-33 | 1016849 | 4-19, 4-21, 4-23, 4-39 | 101728210 | 1-19 |
| 1016267 | 4-33 | 1016851 | 4-19, 4-21, 4-23, 4-39 | 101728211 | 1-37 |
| 1016269 | 6-5 | 1016857 | 4-39 | 101728213 | 1-19 |
| 1016287 | 4-33 | 1016859 | 4-39 | 101728214 | 1-37 |
| 1016289 | 11-5, 11-7 | 1016868 | 1-3 | 101728701 | 1-41 |
| 1016319 | 5-15 | 1016879 | 4-3 | 101728702 | 1-41 |
| 1016320 | 5-15 | 1016880 | 4-3 | 101728704 | 1-41 |
| 1016346 | 6-15 | 1016901 | 11-5 | 101728706 | 1-41 |
| 1016349 | 6-15 | 1016916 | 1-51 | 101728708 | 1-41 |
| 1016350 | 6-15 | 101692501 | 1-3 | 101728709 | 1-41 |
| 1016351 | 6-15 | 101692502 | 1-3 | 101728710 | 1-41 |
| 1016353 | 6-15 | 101692504 | 1-3 | 101728711 | 1-41 |
| 1016356 | 4-5, 4-7, 4-9, 4-11, 4-13, 13-5, 13-7, 14-5, 14-7 | 101692506 | 1-3 | 101728712 | 1-41 |
| 1016363 | 4-7, 4-9, 4-11, 4-13 | 101692509 | 1-3 | 1017310 | 1-23, 1-39 |
| 1016365 | 4-29, 4-31 | 101692510 | 1-3 | 1017313 | 6-5 |
| 1016366 | 4-7, 4-9, 4-11, 4-13 | 101692511 | 1-3 | 1017314 | 6-5 |
| 1016384 | 6-17, 6-19 | 101692512 | 1-3 | 1017315 | 6-5 |
| 1016385 | 6-15 | 101692513 | 1-3 | 1017317 | 6-5 |
| 1016386 | 6-17, 6-19 | 101692514 | 1-3 | 101734802 | 1-3 |
| 1016387 | 6-17, 6-19 | 101692515 | 1-3 | 1017378 | 5-5, 5-7 |
| 1016389 | 6-17, 6-19 | 1016929 | 4-33 | 1017380 | 5-5, 5-7 |
| 101641002 | 19-5 | 101693901 | 1-3 | 1017384 | 1-37 |
| 101641101 | 19-11 | 101693902 | 1-3 | 1017424 | 5-5, 5-7 |
| 101641202 | 19-3 | 101693904 | 1-3 | 1017686 | 11-9 |
| 1016414 | 19-9 | 101693906 | 1-3 | 1017699 | 4-41 |
| 1016415 | 19-9 | 101693909 | 1-3 | 1017705 | 13-9 |
| 1016416 | 19-3 | 101693910 | 1-3 | 1017724 | 4-15, 4-17 |
| 1016417 | 19-3 | 101693911 | 1-3 | 1017748 | 1-41 |
| | | 101693912 | 1-3 | 1017774 | 1-39 |

INDEX

| | | | | | |
|-----------|------------------------------------|-----------|------------------------|-----------|---|
| 1017853 | 4-5, 4-7, 4-9, 4-11, 4-13 | 101831101 | 17-3, 17-7, 17-9 | 101879901 | 6-3 |
| 101788201 | 1-33 | 101831401 | 13-15, 14-13 | 101880001 | 6-3 |
| 101788202 | 1-33 | 101831801 | 19-5 | 101880101 | 6-3 |
| 101788204 | 1-33 | 101831901 | 19-3 | 101880201 | 6-3 |
| 101788206 | 1-33 | 101832001 | 13-9, 18-7 | 101880301 | 6-3 |
| 101788208 | 1-33 | 101833401 | 11-9 | 101880701 | 5-13, 5-17, 5-19 |
| 101788209 | 1-33 | 101834502 | 4-19, 4-21, 4-23, 4-27 | 101880901 | 1-19, 1-37 |
| 101788210 | 1-33 | 101834601 | 8-7 | 101881501 | 4-37 |
| 101788211 | 1-33 | 101834602 | 8-7 | 101881601 | 4-37 |
| 101788212 | 1-33 | 101835001 | 1-67, 1-69 | 101881701 | 1-19, 1-37 |
| 101791101 | 5-17 | 101835101 | 1-67, 1-69 | 101884801 | 8-7 |
| 101791901 | 1-33, 1-35 | 101835401 | 1-67, 1-69 | 101886101 | 9-11, 12-11 |
| 1017936 | 1-41 | 101835501 | 1-63, 1-67 | 101887101 | 19-3 |
| 101796201 | 5-5, 5-7 | 101835502 | 1-65, 1-69 | 101887601 | 9-11 |
| 101796501 | 13-9 | 101835601 | 4-29, 4-31 | 101894901 | 13-9 |
| 101796801 | 13-9 | 101837001 | 1-47 | 101895401 | 16-3 |
| 101799201 | 1-39 | 101837801 | 1-59, 1-61 | 101895501 | 16-3 |
| 101800201 | 1-63, 1-65, 1-67, 1-69 | 101837802 | 1-59, 1-61 | 101897001 | 16-3 |
| 101801001 | 13-9, 18-7 | 101838001 | 1-59 | 101897201 | 16-3 |
| 101802601 | 4-23 | 101838002 | 1-61 | 101897401 | 16-3 |
| 101804301 | 4-19 | 101838401 | 17-5, 17-9 | 101897601 | 16-3 |
| 101805501 | 1-67, 1-69 | 101838601 | 17-5, 17-9 | 101898001 | 7-21 |
| 101805502 | 1-67, 1-69 | 101838701 | 17-7, 17-9 | 101903601 | 16-3 |
| 101805601 | 1-63, 1-65 | 101839701 | 4-27 | 101903701 | 16-3 |
| 101805801 | 1-63, 1-65 | 101839702 | 4-27 | 101906901 | 16-3 |
| 101806001 | 1-17 | 101839703 | 4-27 | 101908101 | 13-11, 14-9 |
| 101806002 | 1-17 | 101839704 | 4-27 | 101908401 | 13-11, 14-9 |
| 101806005 | 1-17 | 101839709 | 4-27 | 101910401 | 1-39 |
| 101806901 | 1-45 | 101839710 | 4-27 | 101914001 | 16-5 |
| 101808401 | 19-3 | 101839801 | 4-27 | 101914401 | 4-5, 4-7, 4-9, 4-11, 4-13, 17-3, 17-5, 17-7, 17-9 |
| 101809101 | 19-5 | 101839802 | 4-27 | 101915201 | 3-7, 3-13 |
| 101813202 | 19-3 | 101839803 | 4-27 | 101918501 | 5-3, 5-5, 5-7 |
| 101815301 | 1-55, 1-57 | 101839804 | 4-27 | 101919801 | 5-5, 5-7 |
| 101815401 | 1-55, 1-57, 1-59, 1-61, 1-63, 1-65 | 101839809 | 4-27 | 101922101 | 16-3 |
| 101815402 | 1-55, 1-57, 1-59, 1-61, 1-63, 1-65 | 101839810 | 4-27 | 101922201 | 16-3 |
| 101816701 | 1-55 | 101840901 | 1-53 | 101923001 | 16-3 |
| 101816702 | 1-57 | 101841101 | 1-53 | 101923201 | 16-3 |
| 101817401 | 5-5, 5-7 | 101841201 | 1-53 | 101923501 | 16-3 |
| 101818801 | 5-7 | 101841202 | 1-53 | 101923901 | 16-3 |
| 101821601 | 4-33 | 101841301 | 1-53 | 101926501 | 6-21 |
| 101823101 | 19-9 | 101850301 | 6-9, 6-11 | 101928701 | 16-3, 19-7 |
| 101825101 | 3-5, 3-11 | 101851101 | 4-19, 4-21, 4-23, 4-27 | 101929401 | 6-21 |
| 101825102 | 3-7, 3-13 | 101856002 | 4-21, 4-23 | 101932201 | 4-5, 4-7, 4-9, 4-11, 4-13 |
| 101825103 | 4-25 | 101856102 | 7-13, 7-15 | 101936101 | 16-5 |
| 101826201 | 4-21 | 101861901 | 5-5, 5-7 | 101942301 | 15-3 |
| 101826301 | 4-19, 4-23 | 101862001 | 5-5 | 101946201 | 1-23 |
| 101826401 | 4-19 | 101865301 | 5-15 | 101953103 | 5-21 |
| 101828501 | 17-3, 17-5, 17-7, 17-9 | 101870401 | 1-3 | 101953104 | 5-23 |
| 101828801 | 17-3 | 101871001 | 19-3 | 101953106 | 5-15 |
| 101828802 | 17-3 | 101874601 | 5-15 | 101954301 | 1-19, 1-37, 1-39 |
| 101828901 | 17-3, 17-5 | 101878201 | 5-3 | 101955001 | 6-15 |
| 101828902 | 17-3, 17-5 | 101879401 | 6-3 | 101955101 | 4-35 |
| 101828903 | 17-3, 17-5 | 101879501 | 6-3 | 101957101 | 4-5, 4-7, 4-9, 4-11, 4-13 |
| 101829001 | 17-7, 17-9 | 101879601 | 6-3 | 101958201 | 17-5 |
| 101830601 | 4-19, 4-21, 4-23 | 101879701 | 6-3 | 101958301 | 17-5 |
| 101830701 | 4-19, 4-21, 4-23, 4-27 | 101879801 | 6-3 | | |

INDEX

| | | | | | |
|-----------|---|-----------|---|-----------|--|
| 101960501 | 3-7, 3-13 | 102199001 | 4-5 | 102569302 | 2-3 |
| 101963401 | 7-13, 9-15 | 102199201 | 4-5 | 102570401 | 19-11 |
| 101965401 | 17-11 | 102199301 | 4-5 | 102572401 | 4-21, 4-23, 13-5, 13-7, 14-5, 14-7 |
| 101972001 | 19-7 | 102199401 | 4-5 | 102617201 | 8-5 |
| 101972002 | 19-7 | 102235201 | 15-3 | 102617801 | 12-23 |
| 101972003 | 19-7 | 102238001 | 14-19 | 102621501 | 7-9, 12-3, 12-9 |
| 101972004 | 19-7 | 102240501 | 13-21, 14-19 | 102674201 | 19-5 |
| 101972005 | 19-7 | 102241501 | 19-7 | 102675001 | 19-5 |
| 101972006 | 19-7 | 102241502 | 19-7 | 102675101 | 19-5 |
| 101972007 | 19-7 | 102242101 | 11-9 | 102675201 | 19-5 |
| 101972009 | 19-7 | 102242401 | 1-55, 1-57, 1-59, 1-61, 1-63, 1-65, 1-67, 1-69 | 102675401 | 19-5 |
| 101972011 | 19-7 | 102243402 | 19-7 | 102684501 | 6-17, 6-19 |
| 101972012 | 19-7 | 102243403 | 15-3 | 102686101 | 19-3 |
| 101972101 | 16-3 | 102248803 | 19-7 | 102704901 | 15-3 |
| 101972201 | 16-3 | 102249901 | 19-3 | 102711201 | 7-13, 7-15 |
| 101973501 | 17-5 | 102251501 | 19-7 | 102725501 | 9-15 |
| 101974701 | 4-27 | 102269701 | 7-13 | 102732401 | 8-5 |
| 101974702 | 4-27 | 102274101 | 12-23 | 102766201 | 13-13, 13-15, 14-11, 14-13 |
| 101974703 | 4-27 | 102275401 | 17-3, 17-5, 17-7, 17-9 | 102766301 | 6-17, 6-19 |
| 101974704 | 4-27 | 102278001 | 6-5 | 102769701 | 13-21 |
| 101974709 | 4-27 | 102289201 | 6-3, 6-15 | 102771701 | 16-3 |
| 101974710 | 4-27 | 102292801 | 5-15, 5-21, 5-23 | 102772402 | 13-21, 14-19 |
| 101978601 | 16-5 | 102296716 | 9-11 | 102774501 | 13-21 |
| 101984801 | 6-5 | 102297230 | 13-3, 14-3 | 102774701 | 13-21, 14-19 |
| 101987901 | 4-3 | 102298401 | 10-3 | 102775101 | 15-3 |
| 101988001 | 4-3 | 102310701 | 1-33, 1-35, 1-41 | 102817101 | 13-21, 14-19 |
| 101988002 | 4-3 | 102323101 | 5-3, 5-15, 5-21, 5-23 | 102817201 | 13-21, 14-19 |
| 101988101 | 4-3 | 102323201 | 5-3, 5-15, 5-21, 5-23 | 102838101 | 13-11, 14-9, 17-3, 17-7 |
| 101988201 | 4-3 | 102354901 | 4-29, 4-31 | 102838701 | 7-7 |
| 101990801 | 5-21, 5-23 | 102356601 | 16-3 | 102838801 | 7-7 |
| 101997802 | 4-37 | 102356801 | 16-3 | 102838901 | 7-7 |
| 101997803 | 4-37 | 102376001 | 12-3 | 102839001 | 7-7 |
| 101997902 | 4-37 | 102410604 | 9-11 | 102839301 | 7-7 |
| 101997903 | 4-37 | 102411209 | 9-15 | 102841101 | 7-7 |
| 102002801 | 13-13, 13-15, 14-11, 14-13 | 102440901 | 13-5, 13-7, 14-5, 14-7 | 102845101 | 3-5, 3-11, 13-11, 14-9 |
| 102002901 | 13-13, 13-15, 14-11, 14-13 | 102476401 | 9-11, 12-11 | 102845203 | 13-13, 14-11 |
| 102005701 | 1-25 | 102490301 | 9-11 | 102845204 | 13-15, 14-13 |
| 102022601 | 6-15 | 102491501 | 11-5, 11-7 | 102845501 | 13-5, 13-7, 14-5, 14-7 |
| 102022602 | 6-3, 6-15 | 102498201 | 9-11, 12-9, 12-11 | 102847801 | 17-3 |
| 102025801 | 9-3, 9-5 | 102508701 | 4-21 | 102847802 | 17-3 |
| 102026001 | 5-5, 5-7 | 102517501 | 4-17 | 102847803 | 17-3 |
| 102059501 | 12-9 | 102517601 | 4-35 | 102869401 | 4-5, 4-7, 4-9, 4-11, 4-13, 4-19, 4-21, 4-23 |
| 102061201 | 19-9 | 102518301 | 3-5, 3-11 | 102871801 | 6-21, 6-23 |
| 102066201 | 6-23 | 102526201 | 12-3 | 102873401 | 13-13, 13-15, 14-11, 14-13 |
| 102076701 | 1-55, 1-57, 1-59, 1-61, 1-63, 1-65, 1-67, 1-69 | 102529201 | 4-15, 4-17 | 102886301 | 16-3 |
| 102155801 | 11-9 | 102529203 | 4-35 | 102886401 | 16-3 |
| 102158701 | 3-15 | 102540301 | 8-7 | 102886501 | 16-3 |
| 102158901 | 5-5, 5-7 | 102541401 | 7-9 | 102886601 | 16-3 |
| 102162601 | 5-21, 5-23 | 102546401 | 4-17 | 102890201 | 4-29, 4-31 |
| 102163001 | 1-25 | 102555501 | 19-3 | 102891101 | 6-23 |
| 102163101 | 1-25 | 102558201 | 8-3, 9-15 | 102892901 | 17-5 |
| 102166901 | 5-21, 5-23 | 102559901 | 2-5 | 102892902 | 17-5 |
| 102186401 | 15-3 | 102559902 | 2-5 | 102902801 | 16-3 |
| 102196901 | 4-21, 4-23, 13-5, 13-7, 14-5, 14-7 | 102562401 | 19-3 | 102912801 | 13-21 |
| 102198701 | 4-5 | 102564002 | 6-17, 6-19 | 102915601 | 4-41 |

INDEX

| | | | | | |
|-----------|------------------------------------|-----------|------------------------------------|-----------|---|
| 102915701 | 13-11, 14-9 | 103274012 | 1-31, 1-35 | 103772201 | 17-11 |
| 102917101 | 6-23 | 103347601 | 7-7 | 103772401 | 17-7 |
| 102918701 | 4-29 | 103347701 | 7-7 | 103783001 | 3-5, 3-11 |
| 102918702 | 4-31 | 103347801 | 7-7 | 103783003 | 3-7, 3-13 |
| 102922701 | 10-3 | 103348201 | 4-19 | 103787401 | 1-55, 1-57, 1-59, 1-61, 1-63, 1-65, 1-67, 1-69 |
| 102938601 | 15-3 | 103348202 | 4-21, 4-23 | 103789601 | 1-55, 1-57, 1-59, 1-61, 1-63, 1-65, 1-67, 1-69 |
| 102938701 | 15-3 | 103348501 | 4-19 | 103802401 | 4-31 |
| 102938801 | 15-3 | 103348601 | 4-19 | 103822101 | 13-21 |
| 102938901 | 15-3 | 103350901 | 6-21 | 103832001 | 17-7, 17-9 |
| 102939001 | 15-3 | 103351001 | 6-15 | 103865101 | 5-5, 5-7 |
| 102939101 | 15-3 | 103351101 | 6-23 | 103869401 | 17-7, 17-9 |
| 102939102 | 15-3 | 103354401 | 4-21, 4-23 | 103879701 | 12-15 |
| 102939501 | 17-5 | 103354701 | 6-15 | 103879702 | 12-13 |
| 102945501 | 1-35 | 103372101 | 9-3 | 103886601 | 12-5, 12-7 |
| 102945502 | 1-35 | 103372401 | 9-5 | 103895401 | 1-5 |
| 102945504 | 1-35 | 103397901 | 4-7, 4-9, 4-11, 4-13, 13-21, 14-19 | 103896604 | 9-5 |
| 102945506 | 1-35 | 103414901 | 4-7, 4-9, 4-11, 4-13, 13-21, 14-19 | 103896605 | 9-5 |
| 102945508 | 1-35 | 103449501 | 13-23, 14-21 | 103902101 | 13-3, 14-3 |
| 102945509 | 1-35 | 103449601 | 13-23, 14-21 | 103902301 | 13-3, 14-3 |
| 102945510 | 1-35 | 103452001 | 9-5 | 103902401 | 13-3, 14-3 |
| 102945511 | 1-35 | 103459104 | 2-3 | 103924801 | 7-3, 7-5 |
| 102945512 | 1-35 | 103464801 | 3-17 | 103940701 | 13-5 |
| 102950301 | 4-25 | 103477901 | 6-13 | 103940801 | 13-7 |
| 102951701 | 15-3 | 103502701 | 6-17 | 103942101 | 13-17, 14-15 |
| 102962303 | 4-25 | 103502801 | 6-19 | 103942902 | 13-17, 14-15 |
| 102962602 | 4-25 | 103508101 | 8-5 | 103943401 | 13-3, 14-3 |
| 102967601 | 3-5, 3-11 | 103510501 | 13-17, 14-15 | 103951002 | 2-3 |
| 102977002 | 4-21 | 103582801 | 16-3 | 103951003 | 2-3 |
| 102977003 | 4-19 | 103601501 | 6-3 | 103951004 | 2-3 |
| 102977004 | 4-23 | 103601601 | 6-7 | 103951501 | 12-23 |
| 102980801 | 13-13, 13-15, 14-11, 14-13 | 103618001 | 4-17 | 103952201 | 1-11 |
| 102980901 | 13-13, 13-15, 14-11, 14-13 | 103618101 | 4-35 | 103954301 | 1-55, 1-57, 1-59, 1-61 |
| 103174401 | 1-7 | 103628801 | 6-17 | 103961601 | 3-3, 3-9 |
| 103180101 | 4-19, 4-21, 4-23 | 103628901 | 6-19 | 103969701 | 13-15, 14-13 |
| 103198201 | 13-13, 13-15, 14-11, 14-13 | 103653401 | 6-3 | 103973901 | 11-7 |
| 103198301 | 4-21, 4-23 | 103653501 | 6-3, 6-15 | 103973902 | 11-5 |
| 103199001 | 4-19 | 103657301 | 6-21, 6-23 | 103974102 | 11-3 |
| 103199101 | 4-19 | 103658601 | 2-3 | 103974201 | 11-5, 11-7 |
| 103205501 | 3-7, 3-13 | 103677101 | 1-25 | 103974401 | 11-5, 11-7 |
| 103210201 | 3-7, 3-13 | 103694501 | 2-5 | 103975301 | 11-9 |
| 103210301 | 3-5, 3-11 | 103697109 | 13-21 | 103976101 | 11-5, 11-7 |
| 103218001 | 17-11, 18-7 | 103700301 | 4-29 | 103979301 | 12-23 |
| 103218601 | 4-21, 4-23, 13-5, 13-7, 14-5, 14-7 | 103709201 | 13-21 | 103984601 | 11-5, 11-7 |
| 103234303 | 3-15 | 103717302 | 6-13 | 103989501 | 12-23 |
| 103254401 | 4-11 | 103717402 | 6-13 | 103995001 | 12-23 |
| 103255701 | 4-7, 4-9, 4-11, 4-13 | 103722901 | 2-3 | 104005901 | 13-19, 14-17 |
| 103257101 | 4-7 | 103723003 | 2-3 | 104006101 | 13-19, 14-17 |
| 103262201 | 8-5 | 103724502 | 6-9, 6-11 | 104021701 | 12-23 |
| 103274001 | 1-31, 1-35 | 103724601 | 6-11 | 104023501 | 9-11, 12-11 |
| 103274002 | 1-31, 1-35 | 103724602 | 6-9 | 104025101 | 11-9 |
| 103274004 | 1-31, 1-35 | 103724901 | 6-11 | 104027101 | 12-23 |
| 103274006 | 1-31, 1-35 | 103754901 | 1-25 | 105000301 | 7-13, 7-15 |
| 103274008 | 1-31, 1-35 | 103756401 | 9-5 | 105000401 | 7-13, 7-15 |
| 103274009 | 1-31, 1-35 | 103771601 | 17-9 | 105000501 | 13-21, 14-19 |
| 103274010 | 1-31, 1-35 | 103771901 | 13-9 | | |
| 103274011 | 1-31, 1-35 | 103772101 | 13-5, 13-7 | | |

INDEX

| | | | | | |
|-----------|--------------|-----------|--------------|-------------|----------------|
| 105003401 | 9-15 | 105029201 | 12-17 | 105152301 | 4-23 |
| 105005301 | 1-29, 1-33 | 105029301 | 12-21 | 105161701 | 7-3, 7-5, 7-7 |
| 105005302 | 1-29, 1-33 | 105029401 | 12-21 | 105166801 | 13-19, 14-17 |
| 105005304 | 1-29, 1-33 | 105029501 | 12-19, 12-21 | 105166901 | 13-19, 14-17 |
| 105005306 | 1-29, 1-33 | 105029601 | 12-21 | 105167001 | 13-19, 14-17 |
| 105005308 | 1-29, 1-33 | 105029701 | 12-21 | 105167101 | 13-19, 14-17 |
| 105005309 | 1-29, 1-33 | 105029801 | 12-19, 12-21 | 105168501 | 13-19, 14-17 |
| 105005310 | 1-29, 1-33 | 105029901 | 12-19, 12-21 | 105168601 | 13-19, 14-17 |
| 105005311 | 1-29, 1-33 | 105030001 | 12-13, 12-15 | 105194101 | 9-3 |
| 105005312 | 1-29, 1-33 | 105030301 | 12-19, 12-21 | 105210299 | 13-13, 14-11 |
| 105007402 | 9-11 | 105030401 | 12-19, 12-21 | 105216301 | 1-37 |
| 105007403 | 9-11 | 105030501 | 12-19, 12-21 | 105234801 | 12-13, 12-15 |
| 105009101 | 9-15 | 105030601 | 12-19, 12-21 | 105234901 | 12-13, 12-15 |
| 105009401 | 9-15 | 105030701 | 12-13, 12-15 | 105237301 | 7-21 |
| 105025001 | 12-13, 12-15 | 105030801 | 12-19, 12-21 | 105245401 | 9-3 |
| 105025101 | 12-13, 12-15 | 105030901 | 12-17 | 105245801 | 11-3 |
| 105025201 | 12-13, 12-15 | 105031001 | 12-21 | 105256701 | 7-3, 7-5, 7-21 |
| 105025301 | 12-13, 12-15 | 105037101 | 4-19 | 105256801 | 7-3, 7-5 |
| 105025401 | 12-13, 12-15 | 105037201 | 7-13 | 105266401 | 7-11 |
| 105025501 | 12-13, 12-15 | 105037401 | 7-13, 7-15 | 105280201 | 1-43 |
| 105025601 | 12-13, 12-15 | 105037701 | 12-3 | 105280202 | 1-43 |
| 105025701 | 12-13, 12-15 | 105038001 | 12-3 | 105280203 | 1-43 |
| 105025801 | 12-13, 12-15 | 105038101 | 12-3 | 47539338002 | 7-9 |
| 105025901 | 12-13, 12-15 | 105038201 | 12-3 | 47542195001 | 5-17, 5-19 |
| 105026001 | 12-13, 12-15 | 105038501 | 12-3 | 47559475001 | 7-7 |
| 105026101 | 12-13, 12-15 | 105038805 | 12-5 | 47559475002 | 7-7 |
| 105026201 | 12-13, 12-15 | 105038806 | 12-7 | 47564890001 | 8-7 |
| 105026301 | 12-13, 12-15 | 105039801 | 12-3 | 47564902001 | 4-13 |
| 105026401 | 12-13, 12-15 | 105039901 | 12-3 | 47564903001 | 14-5, 14-7 |
| 105026501 | 12-13, 12-15 | 105040401 | 12-3 | 47564905001 | 14-5, 14-7 |
| 105026601 | 12-13, 12-15 | 105040402 | 12-3 | 47564908001 | 4-9 |
| 105026701 | 12-13, 12-15 | 105043801 | 9-3 | 47579096001 | 6-21, 6-23 |
| 105026801 | 12-13, 12-15 | 105043901 | 9-3 | 47579306001 | 18-7 |
| 105026901 | 12-13, 12-15 | 105060601 | 12-3 | 47579307001 | 18-5 |
| 105027001 | 12-13, 12-15 | 105063501 | 12-13 | 47579307002 | 18-5 |
| 105027101 | 12-13, 12-15 | 105063601 | 12-19 | 47579307003 | 18-5 |
| 105027201 | 12-13, 12-15 | 105064802 | 1-37 | 47579307004 | 18-5 |
| 105027301 | 12-13, 12-15 | 105066001 | 12-19, 12-21 | 47579307005 | 18-5 |
| 105027401 | 12-17 | 105066101 | 12-19, 12-21 | 47579307006 | 18-5 |
| 105027501 | 12-17 | 105074901 | 1-27 | 47579307007 | 18-5 |
| 105027601 | 12-17 | 105075201 | 14-19 | 47583000001 | 7-7 |
| 105027701 | 12-17 | 105077701 | 1-25 | 47583790001 | 7-7 |
| 105027801 | 12-17 | 105077801 | 1-25 | 47583791001 | 7-7 |
| 105027901 | 12-17 | 105081501 | 7-3, 7-5 | 47583794001 | 7-7 |
| 105028001 | 12-17 | 105081601 | 7-3, 7-5 | 47583795001 | 8-7 |
| 105028101 | 12-19, 12-21 | 105088501 | 9-15 | 47584178001 | 7-7 |
| 105028201 | 12-17 | 105096101 | 11-5, 11-7 | 47584179001 | 7-7 |
| 105028301 | 12-13, 12-15 | 105102601 | 7-19 | 47584184001 | 8-7 |
| 105028401 | 12-17 | 105116301 | 13-3, 14-3 | 47587701001 | 8-7 |
| 105028501 | 12-13, 12-15 | 105134901 | 12-9 | 47598099001 | 8-5 |
| 105028601 | 12-17 | 105135101 | 9-11, 12-9 | 47598441001 | 4-19 |
| 105028701 | 12-17 | 105142401 | 2-5 | 47600218001 | 11-9 |
| 105028801 | 12-17 | 105143301 | 9-3 | 47601355001 | 9-11 |
| 105028901 | 12-17 | 105144401 | 9-11, 12-11 | 47601767001 | 11-9 |
| 105029001 | 12-17 | 105147101 | 14-19 | 47601767002 | 11-9 |
| 105029101 | 12-17 | 105149401 | 18-3 | 47601832001 | 11-9 |

INDEX

| | | | | | |
|-------------|------------|-------------|------|--|------------------------|
| 47604303001 | 4-5 | 47629716001 | 8-13 | 47629874001 | 9-7 |
| 47605933001 | 14-5 | 47629717001 | 8-13 | 47629875001 | 9-9 |
| 47605934001 | 14-7 | 47629718001 | 8-13 | 47629876001 | 9-9 |
| 47606233003 | 9-3 | 47629719001 | 8-13 | 47629877001 | 9-9 |
| 47606257001 | 9-5 | 47629720001 | 8-13 | 47629878001 | 9-9 |
| 47609905001 | 7-3 | 47629722001 | 8-13 | 47629879001 | 9-13 |
| 47611208001 | 7-3, 7-5 | 47629723001 | 8-13 | 47629880001 | 9-13 |
| 47611209001 | 10-3 | 47629724001 | 8-13 | 47629881001 | 9-13 |
| 47611210001 | 10-3 | 47629725001 | 8-13 | 47629882001 | 9-13 |
| 47611483001 | 8-5 | 47629726001 | 8-13 | 47637087001 | 9-5 |
| 47611484001 | 8-5 | 47629727001 | 8-13 | 47640021001 | 8-11 |
| 47611648001 | 8-5 | 47629728001 | 8-13 | 47640281001 | 8-3, 8-11 |
| 47611868001 | 7-9 | 47629729001 | 8-13 | 47650647001 | 8-11 |
| 47611869001 | 7-9 | 47629730001 | 8-13 | 47664038001 | 9-3 |
| 47611870001 | 7-9 | 47629768001 | 8-13 | 96704176 | 12-3 |
| 47611876001 | 9-3 | 47629822001 | 8-13 | 96705199 | 12-9 |
| 47611877001 | 9-3 | 47629823001 | 8-13 | 96705587 | 10-3 |
| 47612352001 | 9-9 | 47629824001 | 8-13 | 96741046 | 8-5 |
| 47612546001 | 7-5 | 47629825001 | 8-13 | | |
| 47612930001 | 7-3 | 47629826001 | 8-11 | A | |
| 47612931001 | 7-5 | 47629828001 | 8-11 | AC cord | 17-3, 17-5, 17-7, 17-9 |
| 47613047002 | 10-3 | 47629831001 | 8-11 | AC cord receptacle | 17-5 |
| 47617158001 | 9-9 | 47629832001 | 8-11 | accelerator bracket and bearing assembly | 5-5, 5-7 |
| 47617345001 | 7-9 | 47629833001 | 8-11 | accelerator cable | 9-11 |
| 47619701001 | 9-5 | 47629834001 | 8-11 | accelerator pedal adjustment tool | 19-3 |
| 47623281001 | 7-3, 7-5 | 47629835001 | 8-11 | accelerator pivot rod | 5-5, 5-7 |
| 47623339001 | 9-3 | 47629836001 | 8-11 | accelerator return spring | 5-5, 5-7 |
| 47629583001 | 8-19 | 47629837001 | 8-11 | accelerator rod | 5-9, 5-11 |
| 47629585001 | 8-19 | 47629838001 | 8-11 | access door | 1-49 |
| 47629588001 | 8-19 | 47629839001 | 8-11 | adapter | |
| 47629589001 | 8-19 | 47629841001 | 8-11 | battery terminal | 7-11 |
| 47629677001 | 8-15 | 47629843001 | 8-11 | cable (IQDM) | 19-7 |
| 47629680001 | 8-15 | 47629844001 | 8-9 | adhesive, guide ring | 19-3 |
| 47629682001 | 8-15 | 47629845001 | 8-9 | air cleaner assembly | 9-15 |
| 47629685001 | 8-15 | 47629846001 | 8-9 | air filter | 8-3, 9-15 |
| 47629686001 | 8-15 | 47629847001 | 8-9 | air filter evacuator | 9-15 |
| 47629687001 | 8-15 | 47629848001 | 8-9 | air intake hose | 9-15 |
| 47629688001 | 8-15 | 47629851001 | 8-9 | ammeter | 17-3, 17-5, 17-7, 17-9 |
| 47629689001 | 8-15 | 47629853001 | 8-9 | anchor body | 5-13, 5-17, 5-19 |
| 47629690001 | 8-15 | 47629855001 | 8-9 | anchor body kit | 5-13, 5-17, 5-19 |
| 47629691001 | 8-15 | 47629856001 | 8-9 | anchor, piston | 5-13, 5-17, 5-19 |
| 47629693001 | 8-15 | 47629857001 | 9-7 | anti-sway bar | 6-25 |
| 47629694001 | 8-15 | 47629858001 | 9-7 | A-plate strap | 6-15 |
| 47629696001 | 8-15 | 47629859001 | 9-7 | A-plate, delta | 6-15 |
| 47629697001 | 8-15 | 47629860001 | 9-7 | arbor | 19-3 |
| 47629698001 | 8-15 | 47629861001 | 9-7 | arm | |
| 47629699001 | 8-17 | 47629862001 | 9-7 | governor | 9-11, 12-11 |
| 47629700001 | 8-17 | 47629864001 | 9-7 | armature | 15-3 |
| 47629701001 | 8-17 | 47629865001 | 9-7 | armrest | 1-23, 1-39, 1-53 |
| 47629702001 | 8-11, 8-17 | 47629866001 | 9-7 | assembly | |
| 47629703001 | 8-17 | 47629867001 | 9-7 | accelerator bracket and bearing | 5-5, 5-7 |
| 47629705001 | 8-17 | 47629868001 | 9-7 | accelerator pivot rod | 5-5, 5-7 |
| 47629707001 | 8-17 | 47629869001 | 9-7 | bearing, steering shaft | 6-5 |
| 47629709001 | 8-17 | 47629870001 | 9-7 | delta A-plate | 6-15 |
| 47629711001 | 8-13 | 47629871001 | 9-7 | delta shock and gear support | 6-15 |
| 47629714001 | 8-13 | 47629872001 | 9-7 | | |

INDEX

- drive hub 11-5, 11-7
 - fuel cap 9-3
 - headlight 4-3
 - headlight harness 4-3
 - inner ball joint 6-3
 - kingpin 6-17, 6-19
 - moveable-face 11-5, 11-7, 11-9
 - ratchet 5-3, 5-5, 5-7
 - secondary clutch weight 11-5, 11-7
 - steering shaft 6-5
 - turn signal lens 4-3
- axle 16-3
- axle guard 16-5
- axle shaft 12-19, 12-21
- axle shaft oil seal 16-3
- axle tube 12-19, 12-21, 16-3
- ## B
- backing plate, brake 5-13, 5-17, 5-19
- bag rest mat 1-41
- ball bearing 7-7, 12-17, 12-19, 12-21
- ball joint 5-3, 5-9, 5-11
- ball stud 7-13, 7-15
- bar, stabilizer 6-25
- barrel, plastic 1-3, 1-7, 1-29, 1-31, 1-33, 1-35, 1-41, 1-53, 17-11, 18-7
- battery
- 12-volt, top-post 7-21
- battery cap, 6-volt 13-15, 14-13
- battery charger 17-3, 17-5, 18-3
- battery charger case 17-3, 17-5, 17-7, 17-9
- battery charger receptacle 13-9
- battery charger retractable cord assembly 17-11
- battery charger transformer 17-3, 17-5, 17-7, 17-9
- battery charger wire assembly 17-5
- battery charger, onboard 17-7, 17-9
- battery clamp 7-21
- battery condition indicator 4-21, 4-23
- battery discharge machine 19-3
- battery HD, 6-volt, Trojan T145 13-15, 14-13
- battery hold-down 13-13, 13-15, 14-11, 14-13
- battery hold-down rod 13-13, 13-15, 14-11, 14-13
- battery insulator 1-47
- battery light 4-21
- battery terminal protector spray 19-3
- battery thermometer 19-3
- battery, 6-volt, JCI GC2 Entek 13-13, 14-11
- battery, top-post, wire, 4ga, B+ 7-3, 7-5
- battery, top-post, wire, B- 4ga, 7-3, 7-5, 7-21
- bead, ferrite 13-23, 14-21
- bearing 16-3
- ball (steering pinion) 6-3
 - front wheel hub 6-13
 - hub 6-13
 - inner axle tube 16-3
 - lower pinion (steering) 6-3
 - pivot support 5-5, 5-7
 - steering shaft 6-5
 - thrust 6-17, 6-19, 12-13, 12-15
- bearing and oil seal remover 19-3
- bearing driver set 19-3
- bearing puller 19-3
- bearing puller wedge 19-3
- bearing seat 6-5
- bellows 6-3
- belt, drive 11-3
- beverage holder 1-13
- bezel, headlight 4-3
- bezel, taillight 4-41
- block, brake-mounting 5-3
- block, fuse 4-5, 4-7, 4-9, 4-11, 4-13, 7-13, 7-15
- block, terminal 4-5, 4-7, 4-9, 4-11, 4-13, 13-5, 13-7, 14-5, 14-7
- body kick plate 1-29, 1-31, 1-33, 1-35, 1-41
- body, anchor 5-13, 5-17, 5-19
- body, center 1-33, 1-35
- body, front 1-3
- body, rear 1-41
- bolt, U- 6-23
- boot, steering column 6-5
- boot, switch 13-11, 14-9
- box
- steering gear 6-3
- brace 1-67, 1-69
- bracket 6-21
- accel.cable 9-11, 12-9
 - battery charger 17-11
 - brake cable guide 6-15
 - brake light switch 4-5, 4-7, 4-9, 4-11, 4-13
 - carbon canister 9-5
 - FNR cable 9-11, 12-9
 - governor 9-11, 12-11
 - headlight mounting 4-3
 - horn 4-35
 - hour meter 4-37
 - relay mounting 17-7, 17-9
 - shock mounting, drv 6-23
 - shock mounting, pas 6-23
 - snubber 8-7
 - stabilizer bar mounting 6-25
 - steering column 6-5
 - steering column mounting 6-5
- brake actuator kit 5-13, 5-17, 5-19
- brake adjustment tool 19-3
- brake backing plate 5-13, 5-17, 5-19
- brake cable 5-15, 5-21, 5-23
- brake cable equalizer 5-15, 5-21, 5-23
- brake cable hanger 6-21
- brake cable release tool 19-3
- brake cluster 5-13, 5-17, 5-19
- brake drum 5-13, 5-17, 5-19
- brake lever arm 5-13, 5-17, 5-19
- brake light switch bracket 4-5, 4-7, 4-9, 4-11, 4-13
- brake mounting block 5-3
- brake pedal 5-3
- brake pedal adjustment tool 19-3
- brake pedal pad 5-3
- brake pedal tension tool 19-3
- brake relay kit, 12-volt 4-5
- brake return spring 5-21, 5-23
- brake shoe 5-13, 5-17, 5-19
- brake spring 5-13, 5-17, 5-19
- breaker, circuit 17-5, 17-9
- breather 12-13, 12-15, 16-3
- brush box assembly 15-3
- brush guard kit 1-5
- brush kit, motor 15-3
- brush rigging 15-3
- brush spring 15-3
- brush, motor 15-3
- bulb, headlight 4-3
- bulb, strobe light 4-33
- bulb, tail light 4-41
- bumper 1-27
- drive unit (motor) 15-3
 - front 1-3
 - front, heavy duty 1-3
 - front, kit 1-3
 - rubber 1-51, 5-3
 - seal, long 1-19
 - side trim 1-53
 - spring return 5-5, 5-7
- bumper guard vinyl trim 1-33, 1-35
- bumper, heavy-duty 1-3
- bushing 7-13, 7-15, 11-5, 11-7, 12-3
- bronze 6-13
 - nylon 5-3
 - spindle 6-13
 - stabilizer bar 6-25
 - steel 6-17, 6-19, 6-21, 6-23
 - urethane 6-15, 6-17, 6-19, 6-21, 6-23
- bushing support 6-25
- button, drive 11-9
- buzzer, reverse 4-19, 4-21, 4-23, 4-39
- ## C
- cable
- accelerator 9-11
 - brake 5-15, 5-21, 5-23
 - FNR shifter 12-5, 12-7
 - IQDM 19-7
- calibration test module 19-3

INDEX

- cam
 - driven clutch 11-9
 - electrical component box 7-13, 7-15
 - cam installation tool 19-3
 - canister, carbon, fuel tank 9-5
 - canopy 1-55, 1-57, 1-59, 1-61
 - canopy brace 1-55, 1-57, 1-59, 1-61, 1-63, 1-65, 1-67, 1-69
 - canopy hardware 1-63, 1-65, 1-67, 1-69
 - canopy top, beige 1-65, 1-69
 - canopy top, white 1-63, 1-67
 - canopy trim plate 1-55, 1-57, 1-59, 1-61, 1-63, 1-65, 1-67, 1-69
 - cap
 - battery, 6-volt 13-15, 14-13
 - dust 4-21, 4-23, 13-5, 13-7, 14-5, 14-7
 - fuel, gas, ratchet 9-3
 - key switch 4-19, 4-21, 4-23, 4-27
 - rubber 12-23
 - seat back 1-21
 - cap, hub, 7 prong 2-5
 - carbon canister 9-5
 - card, safety first 19-9
 - case
 - battery charger 17-3, 17-5, 17-7, 17-9
 - gear 16-3
 - transaxle 12-13, 12-15
 - CE mark ferrite bead, Fair-rite 13-23, 14-21
 - CE mark ferrite bead, TDK 13-23, 14-21
 - center body 1-33, 1-35
 - center shaft 12-17
 - charger
 - wire assembly kit 17-3, 17-7, 17-9
 - charger bezel tool 19-3
 - charger receptacle 13-9
 - charger, battery 17-3, 17-5, 18-3
 - charger, battery, onboard 17-7, 17-9
 - charging diode 7-13
 - circuit breaker 13-11, 14-9, 17-3, 17-5, 17-7, 17-9
 - clamp
 - battery 7-21
 - hose 9-5, 9-15
 - p- (fuel filter) 9-11
 - clevis, upper delta 6-17, 6-19
 - clip
 - meter 4-19
 - clip, score card 6-11
 - cluster, brake 5-13, 5-17, 5-19
 - clutch
 - pin 12-17
 - clutch removal tool 19-3
 - clutch repair kit 11-9
 - clutch tool kit 19-5
 - clutch weight 11-5, 11-7
 - clutch, drive 11-5, 11-7
 - collar 12-17
 - column, steering 6-5
 - communication display module 19-5
 - component mounting plate 13-21
 - component mounting plate cover 13-21, 14-19
 - compression gauge 19-5
 - compression mount 6-25
 - compressor, piston ring 19-9
 - compressor, valve spring 19-11
 - conduit 4-33
 - connecting bar 1-53
 - continuity tester 19-5
 - control board, potted 17-7, 17-9
 - controller, speed 13-21
 - controller, iq plus 500 amp 14-19
 - converter, DC/DC 4-29
 - cord, AC 17-3, 17-5, 17-7, 17-9
 - cord, DC 17-3, 17-5, 17-7, 17-9
 - cord, retractable, assembly 17-11
 - counter shaft 12-17
 - cover
 - dust 5-13, 5-17, 5-19, 6-13
 - fuse block 4-7, 4-9, 4-11, 4-13
 - rocker switch hole 4-19, 4-21, 4-23
 - screw head 4-19, 4-21, 4-23
 - steering column 6-5
 - cover, steering column 4-15, 4-17
 - cowl 1-3
 - cross brace 1-67, 1-69
 - C-type stop ring 6-3
 - cup holder 1-13
 - cup, spring 5-5, 5-7
 - current limiter 17-5
 - cushion, shock absorber 6-21, 6-23
 - cutter, valve seat 19-5
- ## D
- dash component 1-9
 - dash panel 4-21
 - dc converter, 15A 4-29
 - dc converter, CE 4-31
 - DC cord 17-3, 17-5, 17-7, 17-9
 - DC/DC converter 4-29
 - decal
 - 4-gauge wire warning 3-5, 3-11
 - battery danger 3-5
 - driver/passenger 3-7, 3-13
 - electrical cover safety 3-5, 3-11
 - filter log 13-19, 14-17
 - FNR 3-5, 3-7, 3-11, 3-13
 - four-passenger warning 3-3, 3-9
 - frame ground 3-7, 3-13
 - inspect log 13-19, 14-17
 - key switch 3-7, 3-13
 - maintenance/operate switch 3-7, 3-13
 - on/off 3-5, 3-11
 - operating instructions 3-5, 3-7, 3-11, 3-13
 - passcode 4-25
 - rotating parts 3-7, 3-13
 - Tow/Run switch 3-5, 3-11, 13-11, 14-9
 - Villager 3-15
 - deionizer 13-19, 14-17
 - cartridge 13-19, 14-17
 - delta A-plate 6-15
 - delta A-plate sub-assembly 6-15
 - delta shock and gear support 6-15
 - diagnostic port 4-21, 4-23, 13-5, 13-7, 14-5, 14-7
 - diesel tachometer probe 19-9
 - differential 12-21
 - limited-slip 12-19
 - open 12-21
 - differential drive unit 16-3
 - differential gear 16-3
 - differential gear set 12-21
 - differential guard 16-5
 - differential housing 16-3
 - differential shaft 12-21
 - diode 7-3, 7-5
 - diode, charging 7-13
 - door, access 1-49
 - drain plug 12-13, 12-15
 - drink holder 1-13
 - drive belt 11-3
 - drive button 11-9
 - drive clutch 11-5, 11-7
 - drive clutch button 11-5, 11-7
 - drive clutch holder tool 19-5
 - drive clutch hub puller 19-5
 - drive clutch puller 19-5
 - drive clutch spring 11-5, 11-7
 - drive clutch weight 11-5, 11-7
 - drive hub 11-5, 11-7
 - drive unit bumper 15-3
 - drive unit guard 16-5
 - driven clutch button 11-9
 - driven clutch cam 11-9
 - driven clutch cam puller 19-5
 - driven clutch puller plug 19-5
 - driver, drive clutch 11-5, 11-7
 - drum, brake 5-13, 5-17, 5-19
 - dry moly lubricant 19-7
 - dual snubber 8-7
 - dust cap 4-21, 4-23, 13-5, 13-7, 14-5, 14-7
 - dust cover 5-13, 5-17, 5-19, 6-13
- ## E
- eccentric adjustment screw 6-17
 - E-clip 5-15, 5-21, 5-23
 - end cap, motor 15-3
 - end, tie rod 6-15

INDEX

engine
 air cleaner 9-15
 air filter 8-3, 9-15
 air intake hose 9-15
equalizer pivot 5-15
equalizer rod 5-15, 5-21, 5-23
equalizer, brake cable 5-15, 5-21, 5-23
extrusion, fender 1-3
extrusion, plastic 1-27

F

face, moveable 11-9
fender extrusion 1-3
fender, inner 1-41
ferrite bead (CE), Fair-rite 13-23, 14-21
ferrite bead (CE), TDK 13-23, 14-21
filter
 air 8-3, 9-15
fitting, thread-forming grease 6-13
flasher, turn signal, 12-volt 4-17
floor mat 1-9, 1-11
FNR closeout brush 4-19
fnr shaft 12-3
FNR shift lever 12-9
FNR shifter base 12-3
FNR shifter cable 12-5, 12-7
foam, seat 1-51
foot rest 1-53
foot rest mat 1-53
frame and field, motor 15-3
front body 1-3
front body support 1-41
front bumper 1-3
front bumper kit 1-3
front spring retainer plate 6-17, 6-19
fuel meter 4-19
Fuel Module, Hold-Down Ring 9-3
fuse 13-9, 17-3, 17-5, 17-7, 17-9
 10-amp 7-3, 7-5, 7-13, 7-15
 20-amp 4-5, 4-7, 4-9, 4-11, 4-13
 2-amp 7-3, 7-5
 3/8-amp 13-9
 5-amp 7-3, 7-5
fuse block 4-5, 4-7, 4-9, 4-11, 4-13, 7-13, 7-15
fuse block cover 4-7, 4-9, 4-11, 4-13

G

gasket 12-13, 12-15
 liquid 16-3, 19-7
 plug 16-3
 taillight 4-41
gauge, battery condition 4-21, 4-23
gauge, compression 19-5
gauge, fuel-hour 4-19
gear
 17 tooth 12-17
 34 tooth 12-17
 52 tooth 12-17
 60 tooth 12-19, 12-21
 62 tooth 12-17
 differential 16-3
 differential idler 16-3
 differential output 16-3
 governor 12-13, 12-15
 governor, 34 tooth 12-17
 set, differential 12-21
gear yoke 19-7
gearcase 16-3
governor arm 9-11, 12-11
governor gear shaft 12-13, 12-15
governor shaft 12-13, 12-15
grip, pencil 6-11
grommet 1-17
guard, differential 16-5
guard, splash 1-7
guide pin 12-13, 12-15
guide ring adhesive 19-3

H

handle 12-3
handrail 1-53
hanger, brake cable 6-21
hardware, canopy 1-67, 1-69
harness
 wire 4-35
harness, headlight 4-7, 4-9, 4-11, 4-13
harness, lighting 4-7, 4-9, 4-13
harness, wire 4-29, 4-31, 4-35, 13-5, 13-7, 14-5, 14-7
harness, wire, lighting 4-11
headband, sealed, motor 15-3
headband, vented, motor 15-3
headlight 4-3
headlight assembly 4-3
headlight bulb 4-3
headlight harness 4-3
headlight retainer 4-3
headlight wire harness 4-7, 4-9, 4-11, 4-13
heat shrink tube 17-11
heatsink and rectifier 17-3, 17-5, 17-7, 17-9
heavy-duty bumper 1-3
hill brake rod 5-3
hill brake weld assembly 5-3
hinge assembly 1-51
hinge pin 1-51
hinge plate 1-19, 1-29, 1-31, 1-33, 1-35, 1-37, 1-41
hinge, long 1-51
hold-down rod, battery 13-13, 13-15, 14-11, 14-13
hold-down, battery 13-13, 13-15, 14-11, 14-13

holder, cup 1-13
hole plug 4-21, 4-23
horn 4-35
horn bracket 4-35
hose
 air intake 9-15
 vent 9-5
hour meter 4-19, 4-37
hour meter, 36-48 volt 4-37
housing
 3-pin 15-3
 differential 16-3
hub 6-13, 12-23
hub bearing 6-13
hub cap 2-5
hub cap, 7 prong 2-5
hydrometer 19-7

I

idler gear, differential 16-3
indicator, battery condition 4-21, 4-23
indicator, charger 4-23
inner frame snubber 8-7
input shaft 12-17, 16-3
instrument panel 4-21
insulating washer 15-3
insulator, battery 1-47
insulator, motor terminal 15-3
intermediate shaft 16-3
internal retaining ring pliers 19-7
IQ display module (IQDM) 19-7
isolator, shock damper 6-21, 6-23

J

joint
 ball 5-3, 5-9, 5-11

K

key
 driven clutch 11-9
 On/Off 4-19, 4-21, 4-23
 square 11-9
key switch 4-19, 4-23
key switch cap 4-19, 4-21, 4-23, 4-27
key switch, On/Off 4-21
key switch, uncommon 4-27
kick plate, body 1-29, 1-31, 1-33, 1-35, 1-41
kingpin 6-17, 6-19
kit
 3-pin housing 15-3
 accelerator pivot rod 5-5, 5-7
 anchor body 5-13, 5-17, 5-19
 battery terminal adapter 7-11
 brake actuator 5-13, 5-17, 5-19
 brake cable 5-15

INDEX

brake pedal 5-3
brake pedal adjustment tool 19-3
brake relay 4-5
brake shoe 5-13, 5-17, 5-19
brake shoe retainer 5-13, 5-17, 5-19
brush guard 1-5
clutch repair 11-9
DC/DC converter 4-29
drive clutch button 11-5, 11-7
drive clutch weight 11-5, 11-7
driven clutch button 11-9
equalizer, brake 5-15
front bumper 1-3
hand pump, SPWS 13-19, 14-17
heavy-duty front bumper 1-3
hour meter 4-37
hub cap 2-5
IQ display module (IQDM) 19-7
mirror 1-15
motor brush 15-3
motor brush lead assembly 15-3
motor brush spring 15-3
motor speed sensor 15-3
park brake latch 5-3
park brake pedal 5-3
relay, 48V 4-7, 4-9, 4-11, 4-13, 13-21, 14-19
reverse buzzer 4-39
shock absorber cushion 6-21, 6-23
shoe retainer 5-13, 5-17, 5-19
smartkey 4-25
steering column mounting bracket 6-5
strobe light 4-33
taillight hardware 4-41
turn signal 4-15
wire assembly, charger 17-3, 17-7, 17-9
knob, forward/reverse 12-3

L

lamp, strobe light 4-33
lamp, turn signal and socket 4-15, 4-17
latch, park brake 5-3
leaf spring 6-21, 6-23
lens, headlight 4-3
lens, strobe light 4-33
lens, taillight 4-41
lever
transaxle shift 12-9
light
battery 4-21
oil 4-19
water quality 13-19, 14-17
light, strobe 4-33
lighting wire harness 4-7, 4-9, 4-13
limit switch 4-5, 4-7, 4-9, 4-11, 4-13, 7-15, 7-17, 7-19
limiter

current 17-5
link, stabilizer bar 6-25
liquid gasket 16-3, 19-7
low oil warning light 4-19
lubricant, dry moly 19-7
lubricant, moly-teflon 15-3, 19-7
lug nut 2-3
lug stud 12-23, 16-3

M

magnet, speed sensor 15-3
mat, floor 1-9, 1-11
mat, foot rest 1-53
MCOR 13-3, 14-3
meter clip 4-19
meter, hour 4-37
meter, volt ohm 19-11
mirror 1-15
mirror, rear view 1-15
module
calibration test 19-3
communication display 19-5
moly-teflon lubricant 19-7
motor
48-volt IQ Plus 15-3
motor brush 15-3
motor brush kit 15-3
motor brush lead assembly kit 15-3
motor brush spring 15-3
motor bumper 15-3
motor controller 13-21
motor end cap 15-3
motor frame and field 15-3
motor headband, sealed 15-3
motor headband, vented 15-3
motor magnet, speed sensor 15-3
motor speed sensor 15-3
motor speed sensor kit 15-3
motor terminal and lead assembly 15-3
motor terminal insulator 15-3
mount, compression 6-25
mounting block, brake 5-3
moveable-face 11-5, 11-7, 11-9

N

nameplate kit, amber 3-15
nut, lug 2-3

O

oil seal 12-13, 12-15
oil warning light, low 4-19
onboard battery charger 17-7, 17-9
O-Ring, Fuel Module 9-3

P

pad
brake pedal 5-3
park brake 5-3
thermal 7-13
paint, touch-up 19-7
panel, instrument 4-21
panel, rear 17-11, 18-7
park brake latch 5-3
park brake pedal 5-3
park brake rod sleeve 5-3
park brake spacer 5-3, 17-11
park brake torsion spring 5-3
pawl 5-3
p-clamp (fuel filter) 9-11
pedal, brake 5-3
pedal, park brake 5-3
pencil grip 6-11
pin
bow tie locking 5-15, 5-21, 5-23
clevis 5-15, 5-21, 5-23
differential 12-21
guide 12-13, 12-15
input shaft 12-17
pinion, steering 6-3
piston anchor 5-13, 5-17, 5-19
piston ring compressor 19-9
piston ring pliers 19-9
pivot support bearing 5-5, 5-7
plate
body kick 1-31, 1-35, 1-41
component mounting 13-21
front spring retainer 6-17, 6-19
hinge 1-19, 1-29, 1-31, 1-33, 1-35, 1-37, 1-41
receptacle backing 13-9, 18-7
spring mounting 6-17, 6-19
plate, canopy trim 1-55, 1-57, 1-59, 1-61, 1-63, 1-65, 1-67, 1-69
plate, Tow/Run switch 13-11, 14-9
pliers
internal retaining ring 19-7
piston ring 19-9
retaining ring 19-9
plug
drain 12-13, 12-15
driven clutch puller 19-5
hole 4-21, 4-23
port, diagnostic 4-21, 4-23, 13-5, 13-7, 14-5, 14-7
press weldment 19-5
protector spray, battery terminal 19-3
puller
bearing 19-3
clutch 19-3
drive clutch 19-5

INDEX

drive clutch hub 19-5
driven clutch cam 19-5
seal 19-9

R

race, front hub bearing 6-13
rack guide pressure spring 6-3
rack, steering 6-3
ratchet, park brake 5-3, 5-5, 5-7
rear panel 17-11, 18-7
rear spring shackle 6-21
rear view mirror 1-15
receptacle backing plate 13-9, 18-7
receptacle, AC cord 17-5
receptacle, battery charger 13-9
rectifier with heatsink 17-3, 17-5, 17-7, 17-9
reel assembly, retractable 17-11
regulator, voltage 7-13, 7-15
relay 4-7, 4-9, 4-11, 4-13, 13-21, 14-19
relay mounting bracket 17-7, 17-9
relay, 12-volt 4-5
relay, 48V 4-7, 4-9, 4-11, 4-13, 13-21, 14-19
relay, 48-volt 17-3, 17-5, 17-7, 17-9
relay, brake, kit, 12-volt 4-5
remover, bearing and oil seal 19-3
retainer
 accelerator pedal spring 5-5, 5-7
 brake shoe 5-13, 5-17, 5-19
 headlight 4-3
 shock absorber cushion 6-21, 6-23
retaining ring 6-5
retaining ring pliers 19-9
return spring bumper 5-5, 5-7
reverse buzzer 4-19, 4-21, 4-23, 4-39
rim (wheel) 2-3
ring
 C-type stop 6-3
 retaining 6-5, 7-13, 7-15, 11-5, 11-7, 11-9, 12-13, 12-15, 12-23
 snap 6-3
 spiral backup 11-5, 11-7
rivet, blind push 1-3, 13-21, 14-19
rock guard 16-5
rocker switch 4-21, 4-23
rocker switch (lights) 4-5, 4-7, 4-9, 4-11, 4-13, 4-19, 4-21, 4-23
rod
 accelerator 5-9, 5-11
 accelerator pivot 5-5, 5-7
 battery hold-down 13-13, 13-15, 14-11, 14-13
 equalizer 5-15, 5-21, 5-23
 hill brake 5-3
rubber bumper 1-51

S

safety first card 19-9
score card clip 6-11
score card plate 6-11
screw, eccentric adjustment 6-17
seal
 lip 16-3
 oil 12-13, 12-15, 16-3
 steering pinion dust 6-3
seal puller 19-9
sealant 16-3
seat back 1-21
seat back assembly 1-21
seat back cap 1-21
seat back, white 1-21
seat bottom assembly 1-19, 1-37, 1-51
seat cover, vinyl 1-51
seat foam 1-51
seat support, four-passenger 1-51
seat, bearing 6-5
select shaft 12-13, 12-15
sensor, motor speed 15-3
Sensor, Temperature 8-11
shackle weldment 6-23
shackle, rear spring 6-21
shaft
 axle 12-19, 12-21
 center 12-17
 counter 12-17
 differential 12-21
 governor 12-13, 12-15
 governor gear 12-13, 12-15
 input 12-17, 16-3
 intermediate 16-3
 select 12-13, 12-15
 shift 12-17
 steering column 6-5
shift lever 12-9
shift shaft 12-3, 12-17
shifter, base 12-3
shock absorber 6-15, 6-21, 6-23
shock absorber cushion 6-21, 6-23
shock absorber cushion retainer 6-21, 6-23
shock damper isolator 6-21, 6-23
shock mounting bracket, drv 6-23
shock mounting bracket, pas 6-23
shoe retainer kit 5-13, 5-17, 5-19
shoe, brake 5-13, 5-17, 5-19
signal, turn 4-15
sleeve 12-13, 12-15
 delta A-plate 6-15
 park brake rod 5-3
smartkey 4-25
snap ring 6-3
snubber bracket 8-7

snubber, dual 8-7
snubber, inner frame 8-7
solenoid 13-21, 14-19
solenoid, 12-volt 7-13, 7-15
spacer 1-5, 12-13, 12-15, 12-17
 accelerator pivot rod 5-5, 5-7
 park brake 5-3, 17-11
speed controller 13-21
speed sensor 15-3
speed sensor magnet 15-3
speed sensor, motor 15-3
spindle assembly 6-13
spiral backup ring 11-5, 11-7
splash guard 1-7
spray, battery terminal protector 19-3
spring 12-13, 12-15
 accelerator return 5-5, 5-7
 brake 5-13, 5-17, 5-19
 brake return 5-21, 5-23
 brush 15-3
 compression 6-11
 drive button 11-5, 11-7
 drive clutch 11-5, 11-7
 leaf 6-21, 6-23
 park brake torsion 5-3
 rack guide pressure 6-3
 steering shaft compression 6-5
spring cup 5-5, 5-7
spring mounting plate 6-17, 6-19
spring, motor brush 15-3
SPWS manifold 13-17, 14-15
stabilizer bar 6-25
stabilizer bar link 6-25
stabilizer bar mounting bracket 6-25
steel bushing 6-17, 6-19, 6-21, 6-23
steering column 6-5
steering column bearing press tool 19-9
steering column cover 4-15, 4-17
steering column retaining ring tool 19-9
steering gear box 6-3
steering pinion 6-3
steering pinion dust seal 6-3
steering rack 6-3
steering shaft assembly 6-5
steering shaft compression spring 6-5
steering wheel 6-9, 6-11
steering wheel puller tool 19-9
stem, valve 2-3
strap, A-plate 6-15
strobe light 4-33
strobe light lens 4-33
stud
 lug 12-23, 16-3
stud, ball 7-13, 7-15
support yoke (steering) 6-3
support, bushing 6-25

INDEX

support, front body 1-41
suppressor, voltage 4-5, 4-7, 4-9, 4-11, 4-13,
17-3, 17-5, 17-7, 17-9
switch plate cover 4-33
switch
four-position 17-5, 17-9
key 4-19, 4-21, 4-23
key, uncommon 4-27
light rocker 4-5, 4-7, 4-9, 4-11, 4-13, 4-19,
4-21, 4-23
limit 4-5, 4-7, 4-9, 4-11, 4-13, 7-15, 7-17,
7-19
rocker 4-21, 4-23
Tow/Run 13-11, 14-9
turn signal 4-15, 4-17
switch assembly 4-33
switch plate, Tow/Run 13-11, 14-9
switch rubber boot 13-11, 14-9

T

12-volt solenoid 7-13, 7-15
tachometer 19-9
tachometer probe, diesel 19-9
tail light bulb 4-41
taillight 4-41
taillight assembly 4-41
taillight base 4-41
taillight bezel 4-41
taillight gasket 4-41
taillight hardware kit 4-41
taillight lens 4-41
tape, vinyl foam 1-55, 1-57, 1-59, 1-61, 1-63,
1-65, 1-67, 1-69
terminal block 4-5, 4-7, 4-9, 4-11, 4-13, 13-5,
13-7, 14-5, 14-7
tester, continuity 19-5
thermal pad 7-13
thermometer, battery 19-3
thread-forming grease fitting 6-13
thrust bearing 6-17, 6-19
tie rod 6-15
tie rod end 6-15
tie wrap 4-15, 4-17, 4-29, 4-31, 4-33, 4-37, 6-3,
7-13, 7-15, 12-5, 12-7, 13-23, 14-21, 17-11
tire 2-3
tool
accelerator pedal adjustment 19-3
belt tensioning, starter/generator 19-11
brake adjustment 19-3
brake cable release 19-3
brake pedal adjustment 19-3
brake pedal tension 19-3
cam installation 19-3
charger bezel 19-3
cT-wrench 19-5
drive clutch holder 19-5
steering column bearing press 19-9

steering column retaining ring 19-9
steering wheel puller 19-9
transaxle axle seal 19-9
transaxle pinion seal 19-9
transmission 19-9
tool kit, clutch 19-5
touch-up paint 19-7
Tow/Run switch 13-11, 14-9
Tow/Run switch plate 13-11, 14-9
transaxle (Electric Vehicle) 16-3
transaxle axle seal tool 19-9
transaxle guard 16-5
transaxle pinion seal tool 19-9
transaxle, limited-slip (Gas Vehicle) 12-13
transaxle, open-diff (Gas Vehicle) 12-15
transformer, battery charger 17-3, 17-5, 17-7,
17-9
transmission tool 19-9
trim
cowl 1-3
tube
axle 12-19, 12-21, 16-3
turn signal 4-15
turn signal conversion kit 4-15
turn signal lens 4-3
turn signal socket and lamp 4-15, 4-17
turn signal switch 4-17
T-wrench tool 19-5

U

U-bolt 6-21, 6-23
upper delta clevis 6-17, 6-19
urethane bushing 6-15, 6-17, 6-19, 6-21, 6-23

V

valve 9-15
valve seat cutter 19-5
valve spring compressor 19-11
valve stem 2-3
vent
transaxle 12-13, 12-15
vent, barb 9-5
volt ohm meter 19-11
voltage regulator 7-13, 7-15
voltage suppressor 4-5, 4-7, 4-9, 4-11, 4-13,
17-3, 17-5, 17-7, 17-9

W

warning light, low oil 4-19
washer, insulating 15-3
water quality light 13-19, 14-17
wedge, bearing puller 19-3
weight
clutch 11-5, 11-7
secondary clutch 11-5, 11-7

weldment
governor bracket 9-11, 12-11
press 19-5
wheel 2-3
steering 6-9, 6-11
windshield channel 1-25
windshield frame pad 1-55, 1-57, 1-59, 1-61,
1-63, 1-65, 1-67, 1-69
wire
green, starter/generator 7-3, 7-5, 7-7
ground, fuel tank 9-3
wire assembly, battery charger 17-5
wire harness 4-29, 4-31, 4-35, 13-5, 13-7, 14-5,
14-7
wire harness, headlight 4-7, 4-9, 4-11, 4-13
wire harness, lighting 4-7, 4-9, 4-11, 4-13
wrap, tie 4-15, 4-17, 4-29, 4-31, 4-33, 4-37, 6-3,
7-13, 7-15, 12-5, 12-7, 13-23, 14-21, 17-11

Y

yoke, gear 19-7
yoke, support (steering) 6-3



Club Car, Inc.
P.O. Box 204658
Augusta, GA 30917-4658
USA

Web www.clubcar.com
Phone 1.706.863.3000
1.800.ClubCar
Int'l +1 706.863.3000
Fax 1.706.863.5808