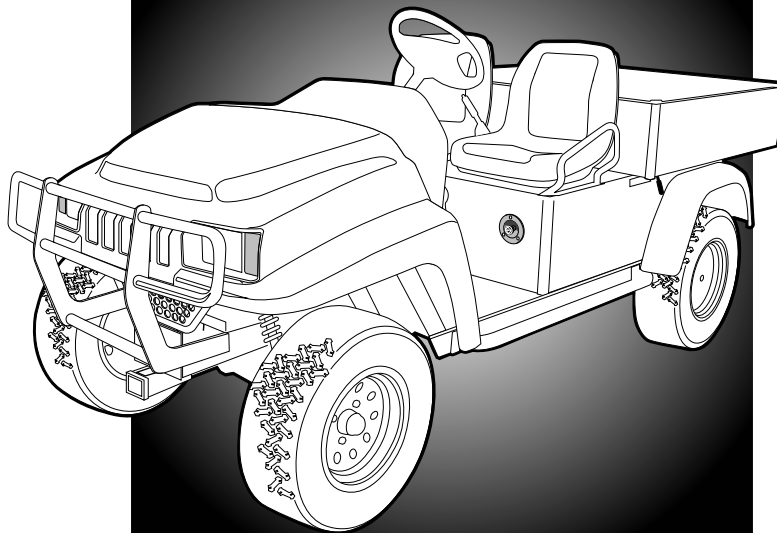


# Club Car

®

## 2000-2001 ILLUSTRATED PARTS LIST



### TURF 272 AND CARRYALL 272 GASOLINE VEHICLES

MANUAL NUMBER 102189905  
EDITION CODE 0800D0808C



# USING THE ILLUSTRATED PARTS LIST

---

## **⚠ WARNING**

- **This manual is to be used only for identification and ordering of service parts. Be sure to read and use the maintenance and service manual before attempting any vehicle repairs.**

This manual covers all 2000/2001 Turf 272 and Carryall 272™ vehicles.

The manual is divided into 13 sections. Sections 1 through 12 pertain to the 272 vehicle, and Section 13 pertains to tools that are used on all Club Car products. Note that there are two flags on the outside edge of each page. The first flag contains the section number of which that page is a part. The other flag contains the letter G, signifying that the page pertains to the gasoline vehicle only.

Use the Table of Contents to find the sections and pages that contain the parts and assemblies you seek. The Table of Contents lists section numbers, and under them, the individual page titles and numbers to be found in that section. The Index can be used to find specific parts and assemblies. The Index is divided into numerical and alphabetical listings, with the accompanying page numbers in italics.

There is a two-page spread for each individual page title in the Table of Contents. On the left-hand page is an illustration showing the parts in their relative positions; the parts are each tagged with an item number in a balloon. The right-hand page is the parts list page and gives the page title at the top, then the item numbers (corresponding to the numbers on the illustration), part descriptions, and quantity of parts used. Some item numbers have more than one part number because several configurations of a component are represented together on one spread.

Note that a part description may be indented. This indentation corresponds to a parts assembly level indicated by the numbers 1, 2, 3, and 4 at the top left corner of the parts description area of the parts list page. A part that is indented to *level 2* is a component of the *level 1* part (assembly) that it is listed under. A *level 3* part is a component of the *level 2* part that it is listed under, and a *level 4* part is a component of the *level 3* part preceding it. In each case the part quantity given for a level 2, 3, or 4 part *is the quantity used per next higher level assembly of which it is a component*. A part that is not indented is a *level 1* part. This means that the quantity given is the quantity used per the portion of the vehicle illustrated on that particular spread.

**HOW TO ORDER PARTS:** Replacement parts and accessories can be obtained from our network of authorized dealers and distributors. You can obtain the name and phone number of your closest Club Car contact by visiting our web site at [www.clubcar.com](http://www.clubcar.com) and clicking on the "*Distributor Search*" link or by calling our toll-free Service Parts and Technical Assistance hotline at (800) 872-2246.



P. O. Box 204658  
Augusta, Georgia 30917-4658 USA  
Telephone 706-863-3000  
Service Parts Fax 706-855-7413  
[www.clubcar.com](http://www.clubcar.com)

© 1999, CLUB CAR, INC.  
All rights reserved.

This manual effective January 1, 1999

# CONTENTS

<b>BODY AND TRIM</b>	<b>SECTION</b>	<b>1</b>
FRONT BODY TRIM .....	1-3	
SEATS .....	1-5	
PROP ROD AND LATCH PLATE .....	1-7	
TILT BED, HINGE AND LATCH .....	1-9	
REAR BODY TRIM .....	1-11	
CARGO BOX .....	1-13	
<b>WHEELS AND TIRES</b>	<b>SECTION</b>	<b>2</b>
WHEELS AND TIRES .....	2-3	
<b>DECALS</b>	<b>SECTION</b>	<b>3</b>
DECALS .....	3-3	
DECALS, CONTINUED .....	3-5	
<b>BRAKE SYSTEMS</b>	<b>SECTION</b>	<b>4</b>
FRONT BRAKE ASSEMBLY .....	4-3	
REAR BRAKE ASSEMBLY .....	4-5	
MASTER CYLINDER .....	4-7	
HYDRAULIC BRAKE SYSTEM .....	4-9	
HAND PARK BRAKE ASSEMBLY .....	4-11	
<b>PEDAL GROUP</b>	<b>SECTION</b>	<b>5</b>
BRAKE PEDAL ASSEMBLY .....	5-3	
ACCELERATOR PEDAL ASSEMBLY .....	5-5	
<b>STEERING, FRONT AND REAR SUSPENSION</b>	<b>SECTION</b>	<b>6</b>
STEERING COLUMN .....	6-3	
STEERING GEAR ASSEMBLY .....	6-5	
FRONT SUSPENSION .....	6-7	
REAR SUSPENSION .....	6-9	
<b>ELECTRICAL SYSTEM</b>	<b>SECTION</b>	<b>7</b>
WIRING .....	7-3	
FORWARD/REVERSE SHIFTER ASSEMBLY .....	7-5	
ELECTRICAL COMPONENT BOX .....	7-7	
ELECTRICAL COMPONENTS, FRONT BODY .....	7-9	
ELECTRICAL COMPONENTS, DASH PANEL .....	7-11	
STARTER/GENERATOR ASSEMBLY .....	7-13	
STARTER/GENERATOR MOUNTING .....	7-15	
BATTERY .....	7-17	
<b>FE350 ENGINE</b>	<b>SECTION</b>	<b>8</b>
FE350 ENGINE – SHROUDS AND BRACKETS .....	8-3	
FE350 ENGINE – IGNITION COMPONENTS AND FLYWHEEL .....	8-5	

# CONTENTS

FE350 ENGINE – OIL CIRCULATION .....	8- 7
FE350 ENGINE – CYLINDER HEAD .....	8- 9
FE350 ENGINE – CRANKCASE, CAMSHAFT AND OIL SENSOR .....	8- 11
FE350 ENGINE – CRANKCASE AND CRANKSHAFT .....	8- 13
ENGINE MOUNTING .....	8- 15

## **FUEL, INTAKE, AND GOVERNOR SYSTEMS**

**SECTION**

**9**

FUEL SYSTEM .....	9- 3
CARBURETOR ASSEMBLY .....	9- 5
CARBURETOR INSTALLATION .....	9- 7
GOVERNOR AND ACCELERATOR CABLES .....	9- 9
INTAKE DUCT, CHOKE, AND AIR BOX ASSEMBLY .....	9- 11

## **EXHAUST SYSTEM**

**SECTION**

**10**

EXHAUST SYSTEM .....	10- 3
----------------------	-------

## **TORQUE CONVERTER**

**SECTION**

**11**

DRIVE CLUTCH .....	11- 3
DRIVEN CLUTCH .....	11- 5

## **UNITIZED TRANSAXLE**

**SECTION**

**12**

UNITIZED TRANSAXLE – GEAR CASES, BRACKETS AND GUARD .....	12- 3
UNITIZED TRANSAXLE – F&R TRANSMISSION AND GEAR REDUCTION .....	12- 5
UNITIZED TRANSAXLE – DIFFERENTIAL LOCK AND AXLES .....	12- 7
UNITIZED TRANSAXLE – DIFFERENTIAL LOCK CABLE ASSEMBLY AND SHIFTER .....	12- 9

## **MAINTENANCE AND SERVICE TOOLS**

**SECTION**

**13**

MAINTENANCE AND SERVICE TOOLS .....	13- 3
MAINTENANCE AND SERVICE TOOLS, CONTINUED .....	13- 5

## **INDEX**

**SECTION**

**i**

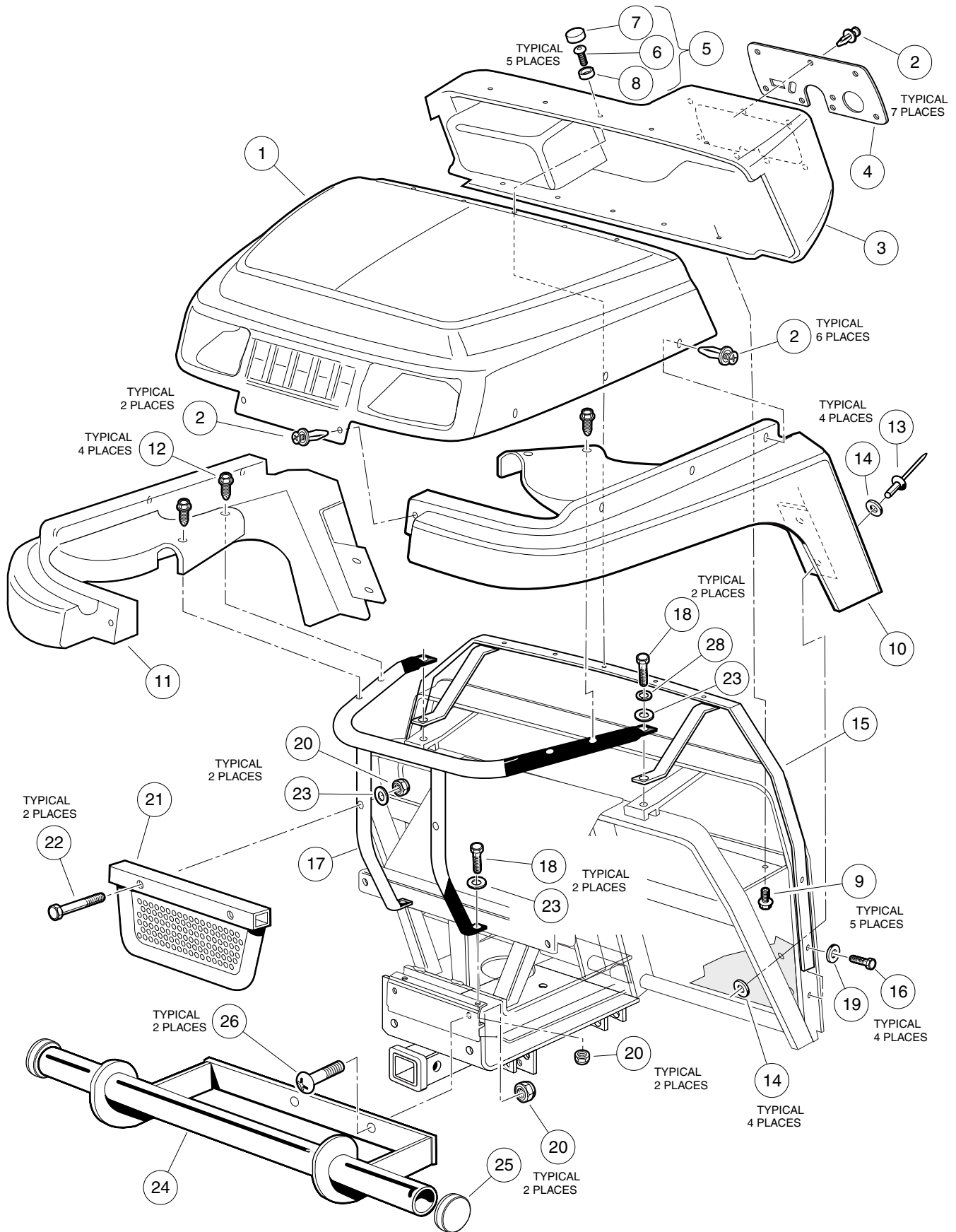


# BODY AND TRIM

---

1

G



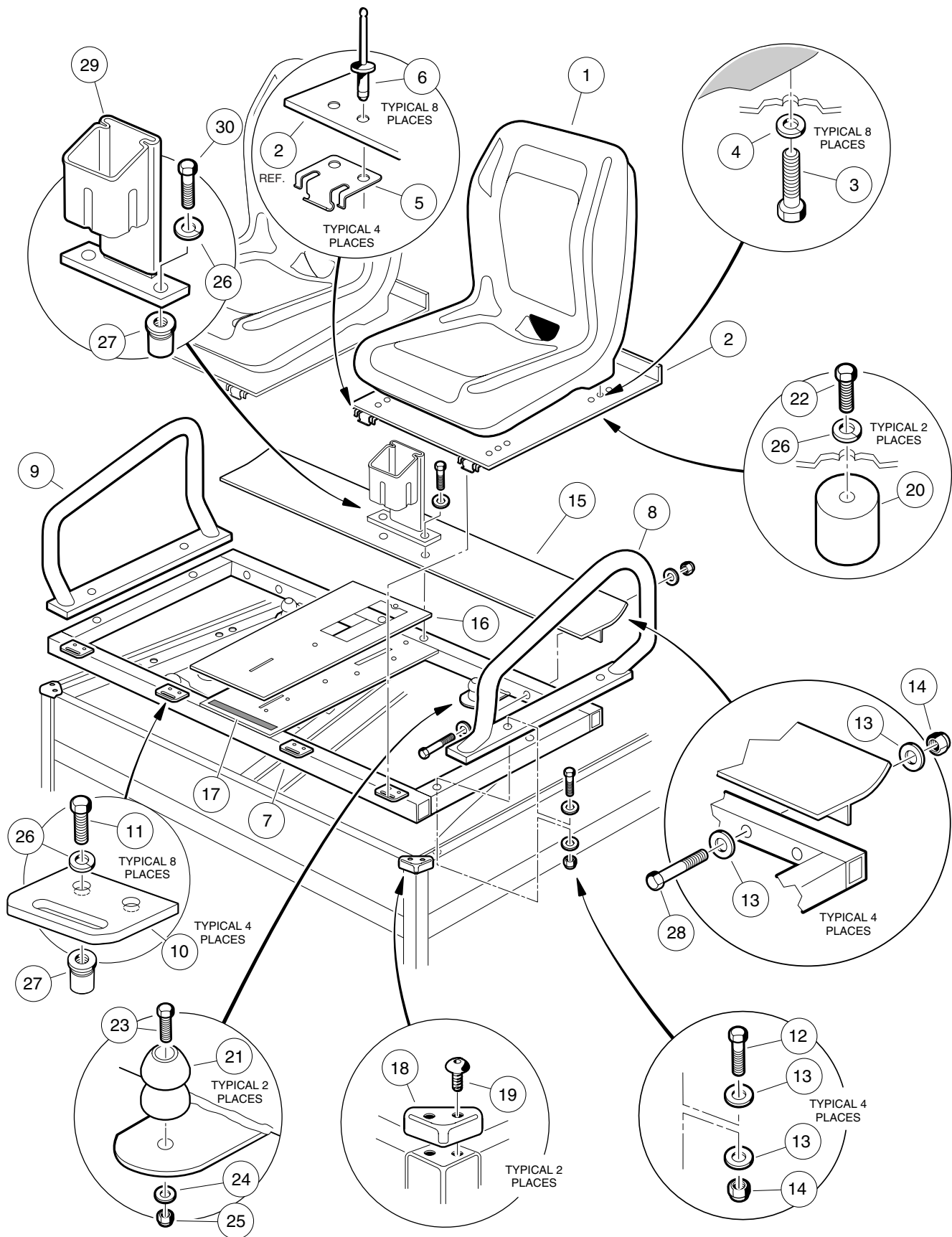


# FRONT BODY TRIM

1  
G

ITEM	PART NO.	DESCRIPTION	QTY
		1 2 3 4	
1	102021710	Body, Front, with Headlight Opening (Dark Green) (Turf 272) .....	1
1	102021714	Body, Front, with Headlight Opening (Dark Gray) (Carryall 272) .....	1
2	102025701	Screw, Tuflok .....	15
3	102021801	Dashboard .....	1
4	102030501	Panel, Dash .....	1
5	102056901	Kit, Dash Hardware (Includes Items 6 - 8) .....	1
6	N/A	Screw, Truss Head, Type C, 1/4-20 x 3/4 .....	5
7	N/A	Cap .....	5
8	N/A	Washer .....	5
9	1017384	Screw, Hex Washer Head, Type AB, #12 .....	5
10	102021501	Fender, Front, Driver Side .....	1
11	102021601	Fender, Front, Passenger Side .....	1
12	1010545	Screw, Hex Washer Head, Type AB, 1/4-14 x 3/4 .....	4
13	1606	Rivet, Blind, 3/16 x 1/2 .....	4
14	183	Washer, Flat, Type A .....	8
15	102015701	Support, Upper Front Body .....	1
16	1012285	Screw, Hex Head Thread-rolling, 1/4-20 x 5/8 .....	4
17	102015801	Support, Lower Fender .....	1
18	102078101	Screw, Hex Head Cap, 5/16-18 x 2 .....	4
19	332	Washer, Plain, 1/4 .....	4
20	7473	Nut, Nylon Lock, 5/16-18 .....	6
21	102013901	Grill .....	1
22	1010921	Screw, Hex Head Cap, 5/16-18 x 2-1/2 .....	2
23	1241	Washer, Flat, Type A, 5/16 .....	6
24	102055801	Bumper, Tube .....	1
25	102058401	Cap, Tube Bumper .....	2
26	7410	Screw, Phillips Truss Head, 5/16-18 x 1-1/4 .....	2
27	102160101	Mat, Floor (Not Shown) .....	1
28	7174	Washer, Lock, 5/16 .....	2

**1**  
**G**

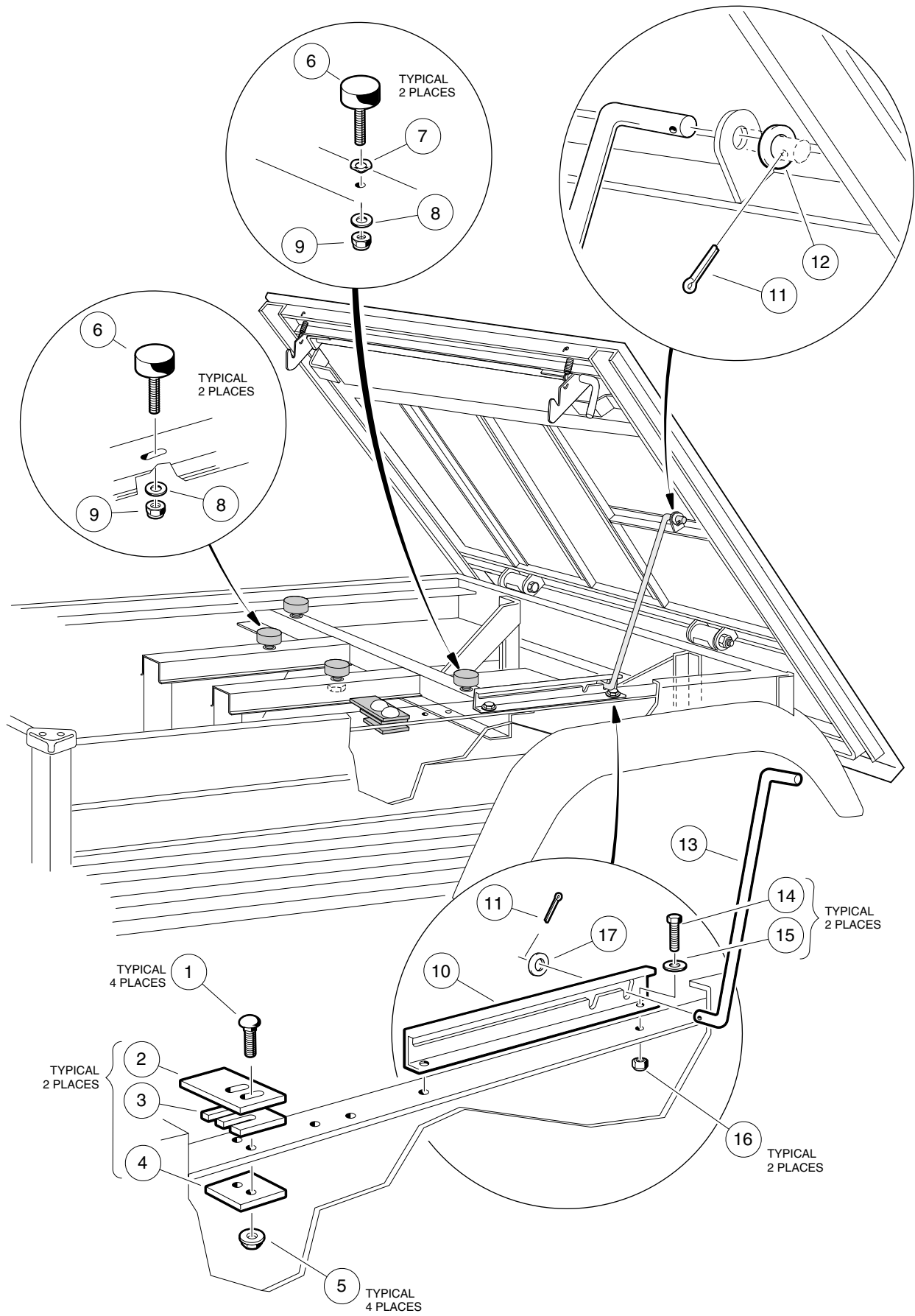


# SEATS

**1**  
**G**

ITEM	PART NO.	DESCRIPTION	QTY
		1 2 3 4	
1	102026501	Bucket Seat, Gray .....	2
2	102023701	Panel, Seat .....	2
3	1012830	Screw, Hex Head, M8 x 1.25 x 22 mm .....	8
4	1013734	Washer, Lock, 8 mm .....	8
5	1011652	Plate, Hinge .....	4
6	102047001	Rivet, Pop, Stainless Steel, 1/4 x 1/2 .....	8
7	102026901	Weldment, Seat Support .....	1
8	102024901	Armrest, Driver Side .....	1
9	102025001	Armrest, Passenger Side .....	1
10	1012412	Plate, Hinge, Body .....	4
11	7847	Screw, Hex Head Cap, 1/4-20 x 3/4 .....	8
12	8935	Screw, Hex Head Cap, 5/16-18 x 2-1/4 .....	4
13	1011697	Washer, Flat, 5/16 .....	16
14	7473	Nut, Nylon Lock, 5/16-18 .....	8
15	102029501	Seal, Bed .....	1
16	102026401	Cover, Console .....	1
17	102056201	Tape, VHB .....	A/R
18	1014387	Cap, Corner .....	2
19	1014321	Screw, Truss Torx Head, 1/4-14 x 3/4 .....	4
20	102061101	Cup, Seat Holder .....	2
21	102059001	Base, Seat Holder .....	2
22	102059401	Screw, Hex Head Cap, M6 x 1 x 10 mm .....	2
23	102059501	Screw, Hex Head Cap, M6 x 1 x 35 mm .....	2
24	332	Washer, Flat, Type A, 1/4 .....	2
25	101887601	Nut, Nylon Lock, M6.....	2
26	451	Washer, Lock, 1/4 .....	12
27	102060201	Insert, Threaded, 1/4-20 .....	10
28	7311	Screw, Hex Head Cap, 5/16-18 x 2 .....	4
29	102068501	Holder, Radio/Beverage .....	1
30	7847	Screw, Hex Head Cap, 1/4-20 x 3/4 .....	2

**1**  
**G**

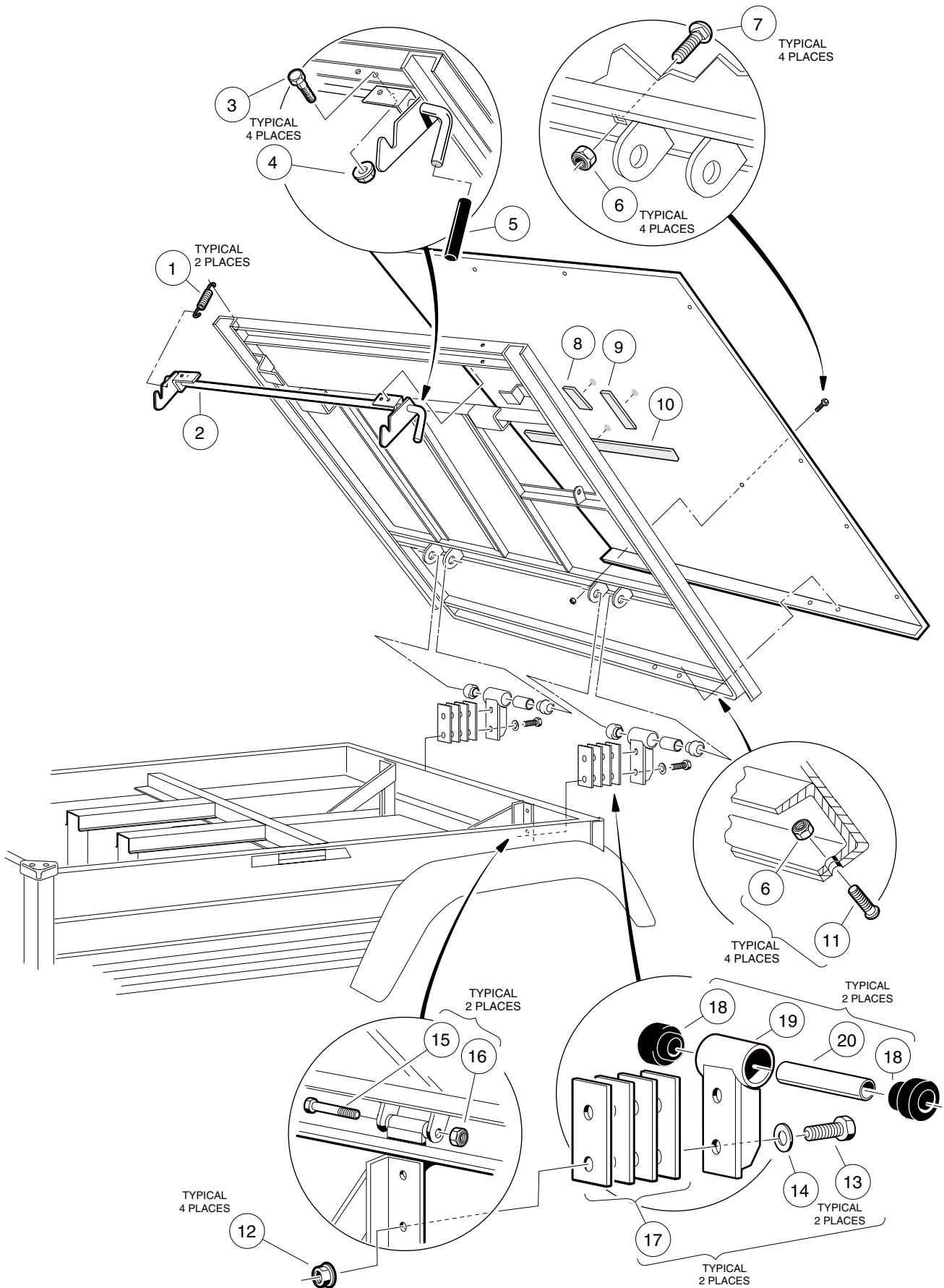


# PROP ROD AND LATCH PLATE

1  
G

ITEM	PART NO.	DESCRIPTION	QTY
		1 2 3 4	
1	101958602	Screw, Round-head Square-neck, 1/4-20 x 3/4 .....	4
2	1015277	Plate, Tilt Bed Latch .....	2
3	1016078	Shim, Latch Plate .....	A/R
4	1016060	Support, Latch Plate .....	2
5	101835601	Nut, Flange, 1/4-20 .....	4
6	1010878	Bumper, Rubber .....	4
7	1016201	Washer, Wave .....	2
8	332	Washer, Flat, 1/4 .....	4
9	8233	Nut, Nylon Lock, 1/4-20 .....	4
	101922801	Kit, Prop Rod (Includes Items 10 - 17) .....	1
10	N/A	Track, Prop Rod .....	1
11	1035	Pin, Cotter, 3/32 x 1 .....	2
12	334	Washer, Flat, 3/8 .....	1
13	N/A	Rod, Prop .....	1
14	7847	Screw, Hex Head Cap, 1/4-20 x 3/4 .....	2
15	332	Washer, Flat, 1/4 .....	2
16	8233	Nut, Nylon Lock, 1/4-20 .....	2
17	1017328	Washer, Convex, 3/8 .....	1

**1**  
**G**



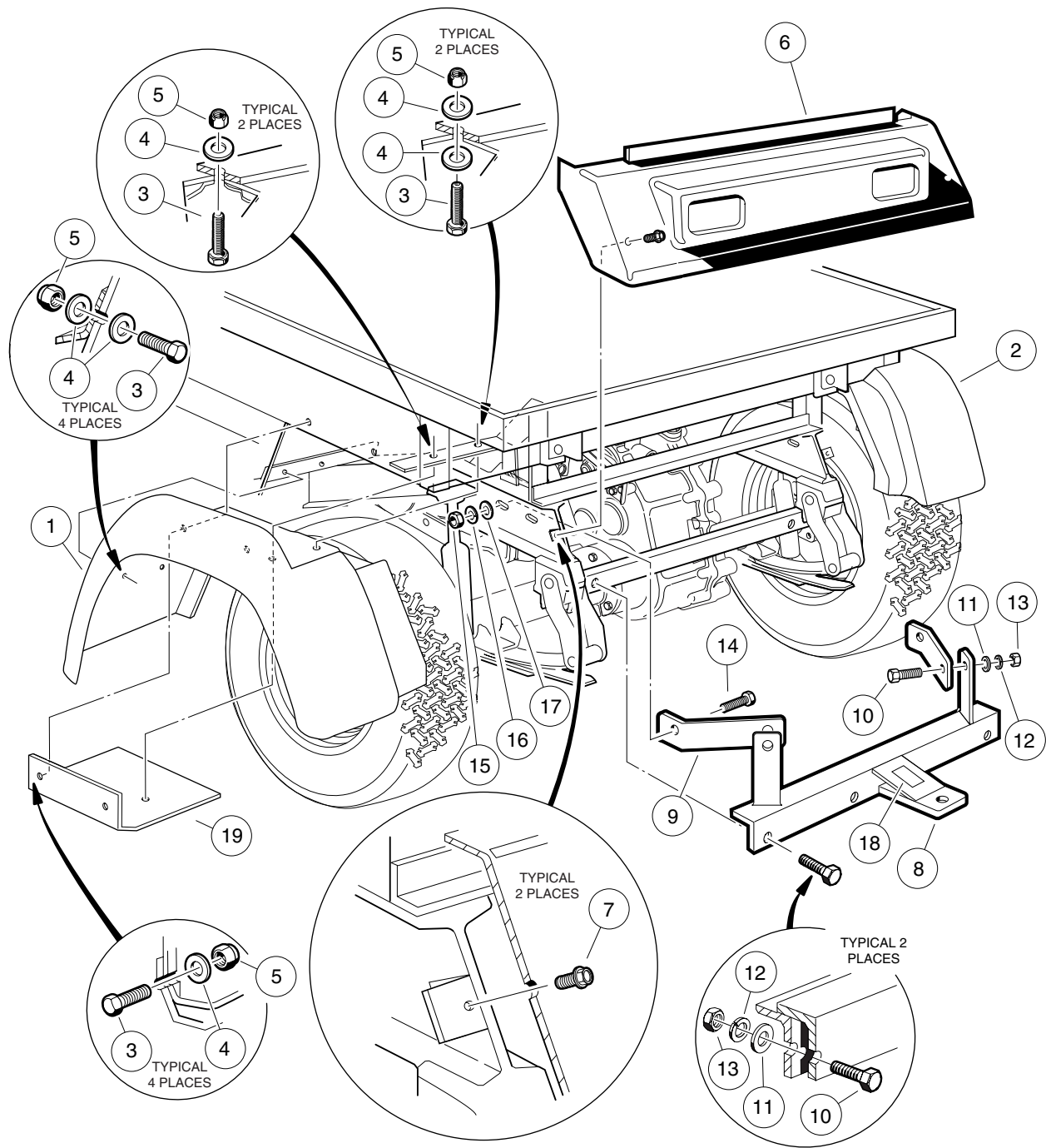
# TILT BED, HINGE AND LATCH

1

G

ITEM	PART NO.	DESCRIPTION	QTY
		1 2 3 4	
	101542901	Assembly, Tilt Bed, Manual Lift (Includes Items 1 - 11) .....	1
1	1015391	Spring, Latch Extension .....	2
2	1015252	Assembly, Latch Weld .....	1
3	403	Screw, Hex Head Cap, 1/4-20 x 5/8 .....	4
4	101835601	Nut, Flanged Lock, 1/4-20 .....	4
5	1015400	Hand Grip, Tilt Latch .....	1
6	7473	Nut, Nylon Lock, 5/16-18 .....	8
7	1010435	Screw, Round-head Square-neck , 5/16-18 x 1 .....	4
8	1014471	Insulation, Bulk (4 inches long) .....	A/R
9	1014471	Insulation, Bulk (8 inches long) .....	A/R
10	1014471	Insulation, Bulk (46 inches long) .....	A/R
11	1015399	Screw, Torx Truss Head, 5/16-18 x 5/8 .....	4
12	102065901	Nut, Dimpled Flange Lock, 3/8-16 .....	4
13	705	Screw, Hex Head Cap, 3/8-16 x 1-1/4 .....	4
14	102066001	Washer, Flat, 3/8 (Type B) .....	4
15	8755	Screw, Hex Head Cap, 3/8-16 x 3-3/8 .....	2
16	8754	Nut, Nylon Lock, 3/8-16 .....	2
17	1015507	Shim, Tilt Bed Pivot.....	A/R
18	1015583	Bushing, Urethane .....	4
19	1015356	Hinge, Tilt Bed .....	2
20	1012303	Bushing, Steel .....	2
For prop rod and latch plate components, see page 1-7.			

**1**  
**G**





# REAR BODY TRIM

ITEM	PART NO.	DESCRIPTION	QTY
		1 2 3 4	
1	102021901	Fender, Rear, Driver Side .....	1
2	102022001	Fender, Rear, Passenger Side .....	1
3	304	Screw, Hex Head Cap, 1/4-20 x 1 .....	12
4	1014306	Washer, Flat 1/4 .....	14
5	8233	Nut, Nylon Lock, 1/4-20 .....	12
6	1015530	Tailskirt .....	1
7	1012285	Screw, Thread-rolling, 1/4-20 x 5/8 .....	2
8	1015445	Kit, Trailer Hitch (Includes Items 9 - 18) .....	1
9	1013483	Brace, Trailer Hitch .....	2
10	1010934	Screw, Hex Head Cap, 5/16-18 x 1 .....	4
11	1241	Washer, Flat, 5/16 .....	4
12	7174	Washer, Lock, 5/16 .....	4
13	1242	Nut, Hex, 5/16-18 .....	4
14	705	Screw, Hex Head Cap, 3/8-16 x 1-1/4.....	2
15	706	Nut, Hex, 3/8-16 .....	2
16	357	Washer, Lock, 3/8 .....	2
17	1011990	Washer, Flat, 3/8 .....	2
18	1011553	Decal, Trailer Hitch .....	1
19	54645318	Guard, Fender .....	2





# CARGO BOX

1  
G

ITEM	PART NO.	DESCRIPTION	QTY
		1 2 3 4	
1	102030001	Assembly, Front Panel (Includes Item 2) .....	1
2	101553901	Decal, Bed Load .....	1
3	102029801	Assembly, Side Panel, Driver Side (Includes Items 5 and 7 - 18) .....	1
4	102029601	Assembly, Side Panel, Passenger Side (Includes Items 6 - 17 and 19).....	1
5	1014513	Bracket, Tailgate, Driver Side .....	1
6	1014514	Bracket, Tailgate, Passenger Side .....	1
7	1014537	Stud, Flush Head .....	4
8	1241	Washer, Flat, 5/16 .....	4
9	7174	Washer, Lock, 5/16 .....	4
10	1242	Nut, Hex, 5/16-18 .....	4
11	1015400	Grip, Hand .....	2
12	1015390	Spring, Compression .....	2
13	1032	Bushing, Nylon .....	2
14	1231	Roll Pin, 1/8 x 1 .....	2
15	1010434	Barrel, Plastic - Black .....	2
16	1015363	Bushing .....	2
17	1011990	Washer, Flat, 3/8 .....	2
18	1015313	Latch, Driver Side .....	1
19	1015245	Latch, Passenger Side .....	1
20	1010934	Screw, Hex Head Cap, 5/16-18 x 1 .....	2
21	102030201	Assembly, Tailgate (Includes Item 22) .....	1
22	1013317	Decal, Club Car Tailgate .....	1
23	7049	Bushing, Nylon .....	2
24	101894302	Angle, Tailgate .....	1
25	1015399	Screw, Torx Truss Head, 5/16-18 x 3/4 .....	23
26	7473	Nut, Nylon Lock, 5/16-18 .....	25
27	1014387	Cap, Corner .....	2
28	1014321	Screw, Torx Truss Head, #10-24 x 3/8 .....	4
29	1014415	Screw, Torx Truss Head, 1/4-20 x 3/4 .....	4
30	332	Washer, Flat, 1/4 .....	4
31	8233	Nut, Nylon Lock, 1/4-20 .....	4
32	1014537	Stud, Flush Head .....	4
33	101963401	Nut, Flanged, 5/16-18 .....	4

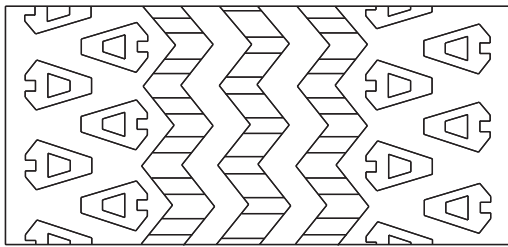
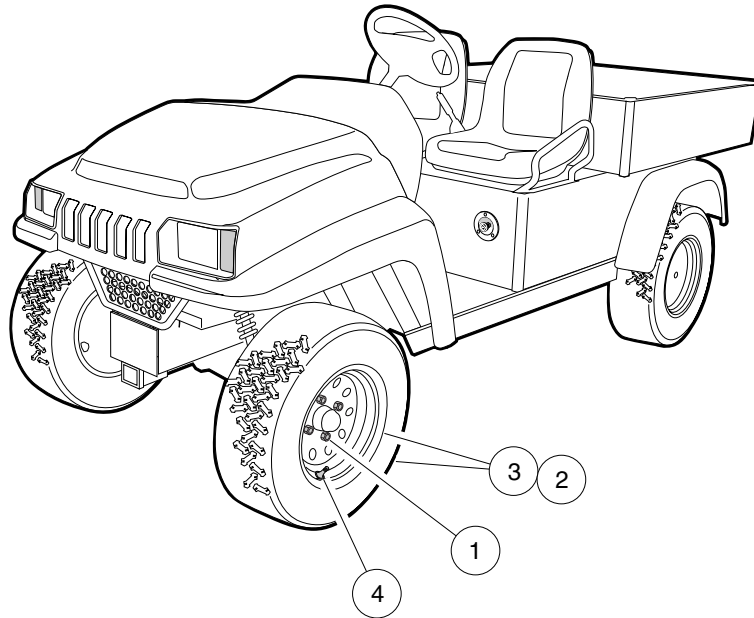


# WHEELS AND TIRES

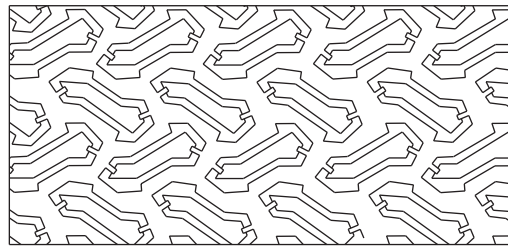
---

2

G



ALL TERRAIN  
TREAD



TURF  
TREAD

# WHEELS AND TIRES

2

G

ITEM	PART NO.	DESCRIPTION	QTY
		1 2 3 4	
1	1010984	Nut, Lug .....	16
2	102021402	Assembly, Wheel (Gray) and Tire, All Terrain Tread, 4-ply Rated (23 x 10.50 - 12) .....	4
3	102021401	Assembly, Wheel (Gray) and Tire, Turf Tread, 4-ply Rated (23 x 10.50 - 12) .....	4
4	7310	Stem, Valve .....	4





# DECALS

---

3

G

**⚠ WARNING**

**ROLLOVER OR FALLING OFF MAY CAUSE DEATH**

- Read operators manual and operating instructions.
- Remain seated and hold on to seat handle while moving.
- Drive slowly in turns and straight up and down slopes.
- Do not start vehicle until all occupants are seated.
- One (1) person per seat maximum.
- Operate from driver side only and not on public roads.
- Keep entire body inside vehicle while moving.
- Do not operate while under the influence of alcohol or drugs.
- Never attempt jumps.

CCI 102029101

**OPERATING INSTRUCTIONS**


- Read Owner's Manual and safety warnings located on dash panel prior to driving.
  - Study and understand controls.
  - Make sure wheels are turned in desired direction.
- Turn key to "ON" position and be sure nothing is in your path.
  - While vehicle is stopped, select direction by placing shift lever or switch in desired position:  
F - Forward N - Neutral R - Reverse (Buzzer will sound)
    - Release hand brake.
- Vehicle will start moving when accelerator pedal is depressed.
  - Slowly depress accelerator pedal to increase speed.
- To stop, release accelerator pedal and depress brake pedal.
  - After stopping, set hand brake.
- Place forward and reverse switch in neutral position. Turn key "OFF" and remove key when not in use.

CCI 102029301

**⚠ WARNING**

**REDUCED STEERING CONTROL MAY CAUSE SERIOUS INJURY OR DEATH**

Disengage differential lock on paved surfaces.



CCI 102046601

**⚠ WARNING**

**YOUNG DRIVERS INCREASE CHANCE OF DEATH**


**UNDER 16**

- Young drivers may not be able to control vehicle.
- No drivers younger than 16 years old.
- Do not leave children unattended on vehicle.

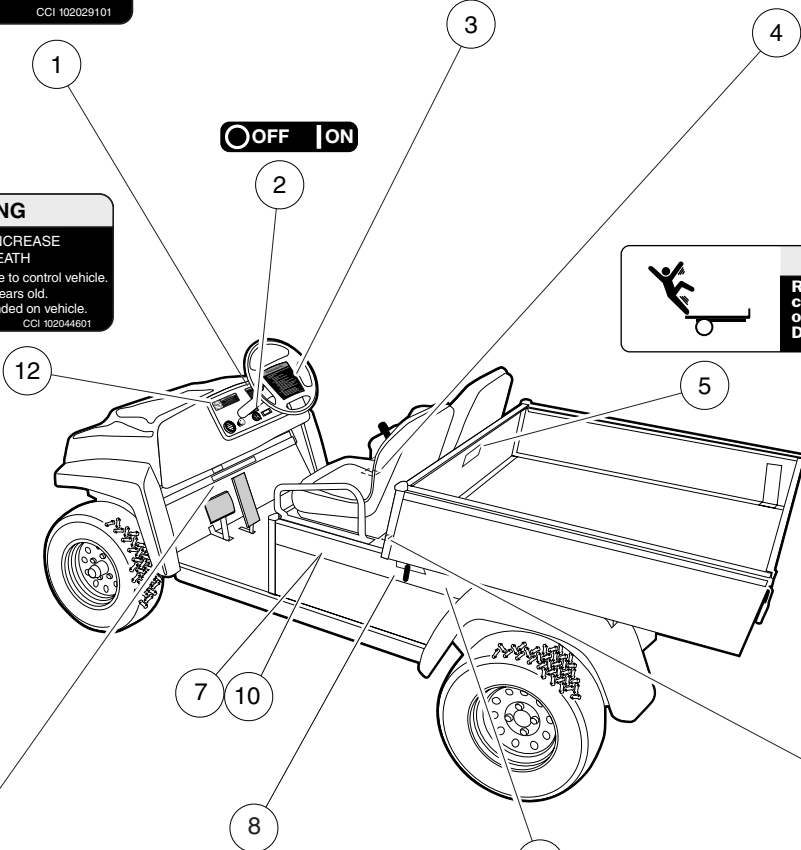
CCI 102044601

**⚠ WARNING**

**Riding in cargo bed can cause severe injury or death. Do not ride in cargo bed.**



CCI 1015539-01



**⚠ WARNING**

**CRUSH AREA**



**STAY CLEAR**

CCI 1016094-01

**⚠ WARNING**

**Crush area. Can cause severe injury. Stay clear when closing bed.**

**LATCH**



CCI 1015437-01



**VEHICLE LOADING**

Read Owner's Manual and warnings on dash.

- Vehicle rated capacity - 1200 lbs. on level surface only. Weight to include passengers, cargo bed load, and gross trailer weight. See Owner's Manual.
- Maximum cargo load - 800 lbs. Weight to include cargo bed load and gross trailer weight.
- Maximum trailer hitch tongue weight - 150 lbs.

- Cargo should be evenly spread over the floor of the cargo bed as far forward as possible and secured.
  - For vehicle stability, when fully loaded, drive slowly and avoid stopping on or backing down steep hills.
  - Avoid top heavy loads. See Owner's Manual.
  - When driving on uneven terrain or down steep hills, reduce speed and load.
- CCI 1019602-01

# DECALS

**3**  
**G**

ITEM	PART NO.	DESCRIPTION	QTY
		1 2 3 4	
1	102029101	Decal, Driver/Passenger Warning .....	1
2	101825101	Decal, Key Switch .....	1
3	102029301	Decal, Operating Instructions .....	1
4	102046601	Decal, Differential Lock Control Warning .....	1
5	101553901	Decal, Bed Load Warning .....	1
6	101609401	Decal, Crush Area Warning .....	2
7	102158301	Decal, Turf 272 (Driver Side) (Includes Items 8 and 9) .....	1
7	102046301	Decal, Carryall 272 (Driver Side) (Includes Items 8 and 9) .....	1
8	N/A	Decal, Bed Latch Warning .....	1
9	N/A	Decal, Ingersoll-Rand .....	1
10	102157001	Decal, Turf 272 (Passenger Side) .....	1
10	102046401	Decal, Carryall 272 (Passenger Side) .....	1
11	101960201	Decal, Vehicle Loading .....	1
12	102044601	Decal, Under Age Warning .....	1

**WARNING**

- GASOLINE EXPLOSION / FIRE.
- CAN CAUSE SEVERE INJURY OR DEATH.
- NO SMOKING, SPARKS, OR OPEN FLAME.
- STOP ENGINE, ALLOW TO COOL BEFORE REFUELING.
- TURN FUEL VALVE (  ) ON DURING OPERATION.
- (  ) OFF DURING STORAGE OR TRANSPORT.

CCI 1015476-01

(ON PASSENGER SIDE SEAT SUPPORT)

**WARNING**

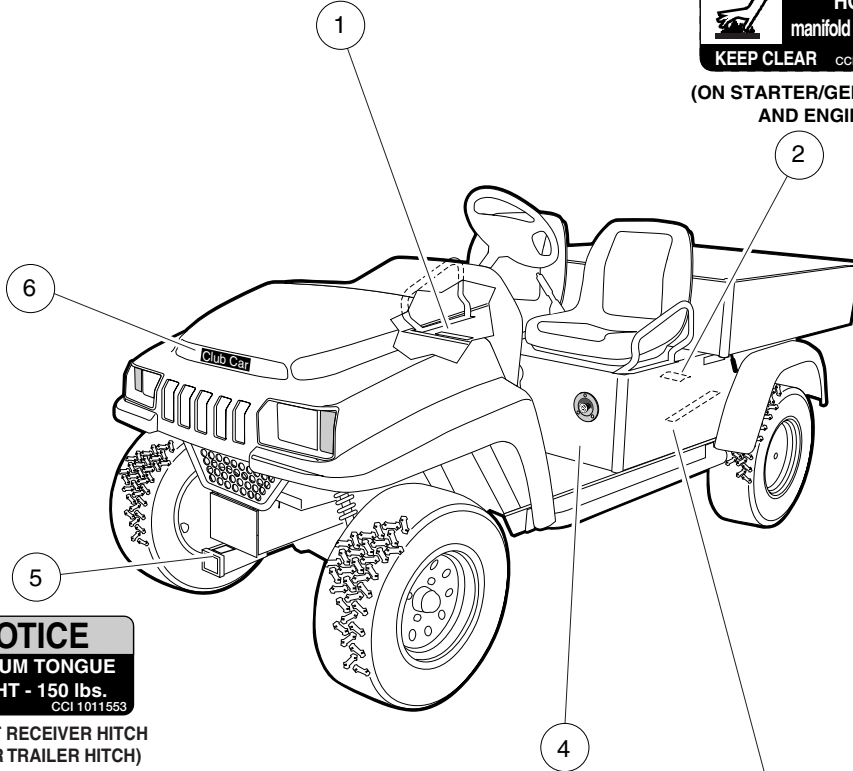
**CAN CAUSE SEVERE INJURY**

 Rotating parts

 HOT manifold & muffler

**KEEP CLEAR** CCI 1019605-01

(ON STARTER/GENERATOR AND ENGINE)



**NOTICE**

**MAXIMUM TONGUE WEIGHT - 150 lbs.**

CCI 1011553

(ON FRONT RECEIVER HITCH AND REAR TRAILER HITCH)

(FOR VEHICLES WITH WINCH ACCESSORY)



**WARNING**

**WINCH CABLE FRACTURE COULD RESULT IN SERIOUS INJURY OR DEATH.**

- Do not use winch while persons are seated on the vehicle.
- Use remote operation switch for winch control.
- Stand to the side and away from the vehicle to operate winch.
- Read winch operator manual before operating winch.

CCI 102231601

(ON SEAT SUPPORT PANEL)

	<p><b>WARNING</b></p> <p>Negative frame ground. Can cause severe injury. Do not contact positive (+) battery post or cable to frame. Disconnect negative battery lead first.</p>		<p><b>WARNING</b></p> <p>Excessive speed. Can cause severe injury or death. Do not tamper with engine governor adjustment.</p> <p>CCI 1019152-01</p>
---	--	---	--

(ON FRAME)

## DECALS, CONTINUED

ITEM	PART NO.	DESCRIPTION	QTY
		1 2 3 4	
1	101547601	Decal, Gasoline Warning .....	1
2	101960501	Decal, Rotating Parts and Hot Manifold .....	2
3	101915201	Decal, Frame Ground .....	1
4	102231601	Decal, Winch Cable Warning.....	1
5	1011553	Decal, Trailer Hitch .....	2
6	102046501	Decal, Club Car .....	1

3

G

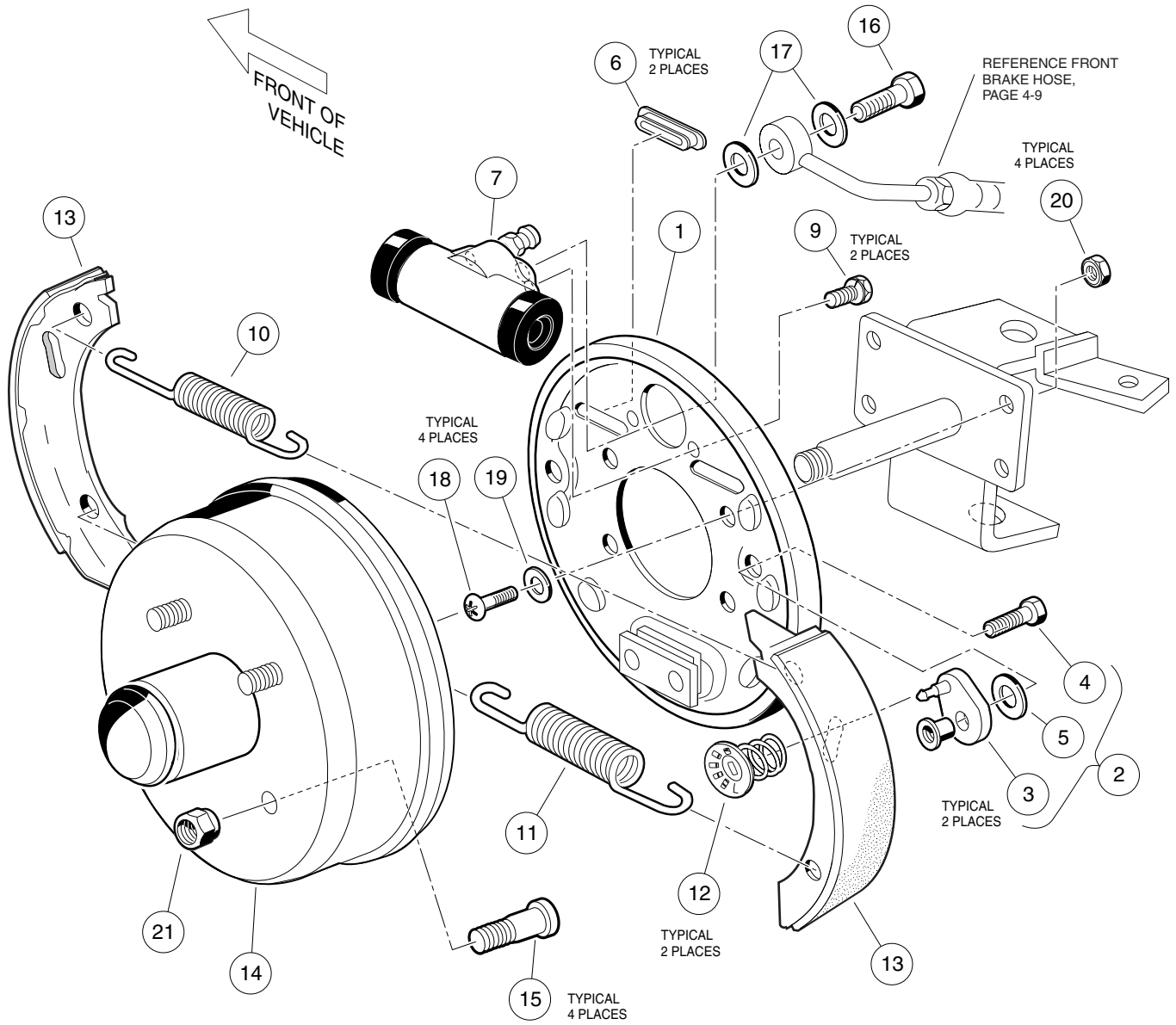


# BRAKE SYSTEMS

---

4

G

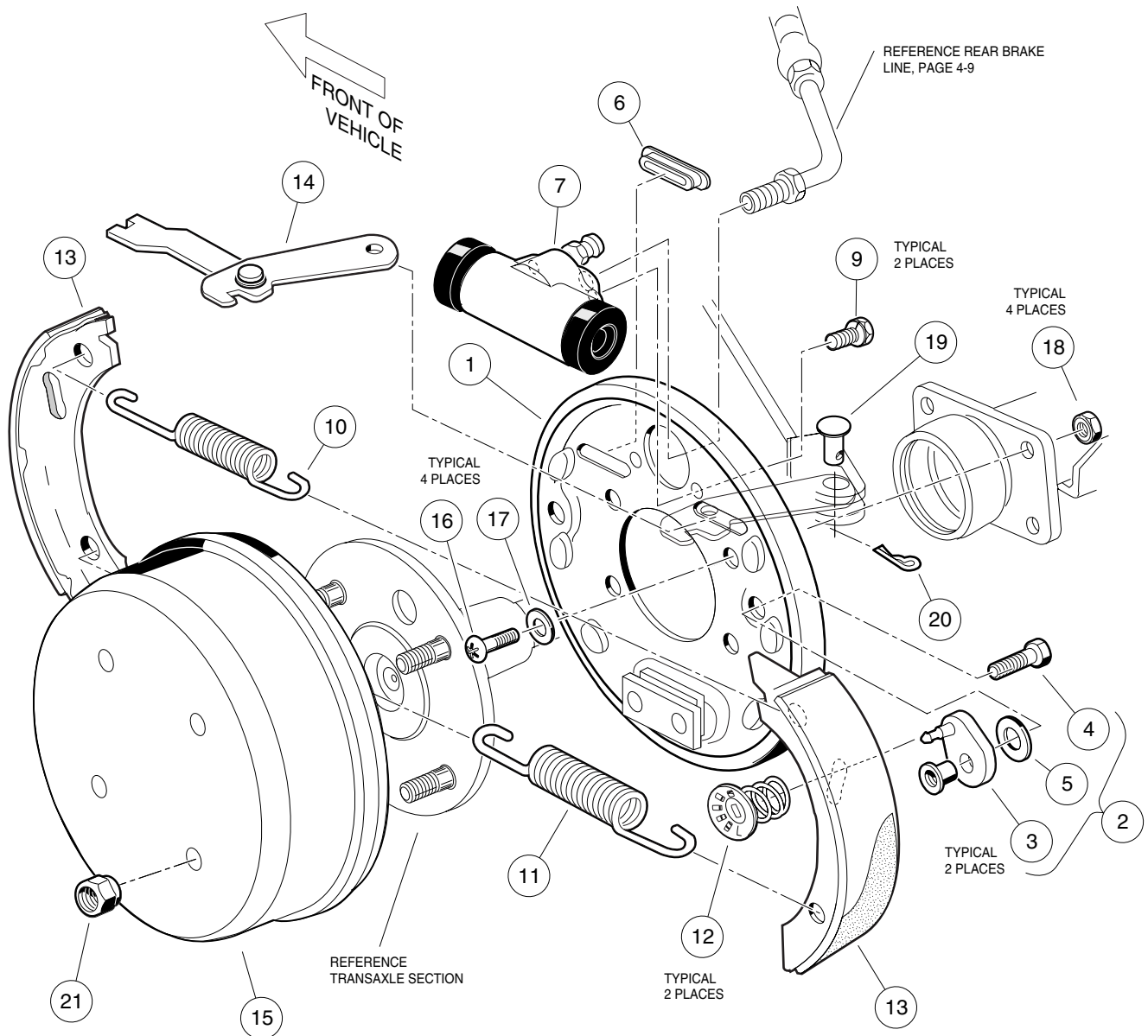




# FRONT BRAKE ASSEMBLY

ITEM	PART NO.	DESCRIPTION	QTY
		1 2 3 4	
	102033301	Cluster, Brake (Includes Items 1 - 13) .....	2
1	102049401	Plate, Backing .....	1
2	102049601	Kit, Adjuster, Axle (Includes Items 3 - 6) .....	2
3	102049501	Assembly, Adjuster Lever .....	1
4	102049901	Bolt, 1/4-28 x .31 .....	1
5	102050001	Washer, Bellville .....	1
6	102050101	Cover, Dust .....	2
7	102050301	Cylinder, Wheel, 5/8 .....	1
8	102049701	Kit, Axle Hardware (Not Shown) (Includes Items 9 - 12) .....	1
9	102050401	Bolt, Wheel Cylinder, Self-locking, M6 x 1 .....	2
10	102050601	Spring, Shoe to Shoe (Upper) .....	1
11	102050501	Spring, Shoe to Shoe (Lower) .....	1
12	102050701	Hold-down, Shoe .....	2
13	102050201	Kit, Hydraulic Shoe (BPI 4070) (Four Shoes per Kit) .....	1
14	102044201	Assembly, Brake Drum and Hub (Includes Item 15) .....	2
15	1013787	Stud, Lug, 1/2-20 .....	4
16	102044401	Bolt, Banjo, 3/8-24 .....	2
17	102045501	Washer, Copper .....	4
18	102051001	Screw, Pan Head, Torx, 5/16-24 x 1 .....	8
19	1017233	Washer, Flat, 5/16 .....	8
20	1013924	Nut, Hex Head Lock, Grade 8, 5/16-24 .....	8
21	1010984	Nut, Lug .....	8





# REAR BRAKE ASSEMBLY

4

G

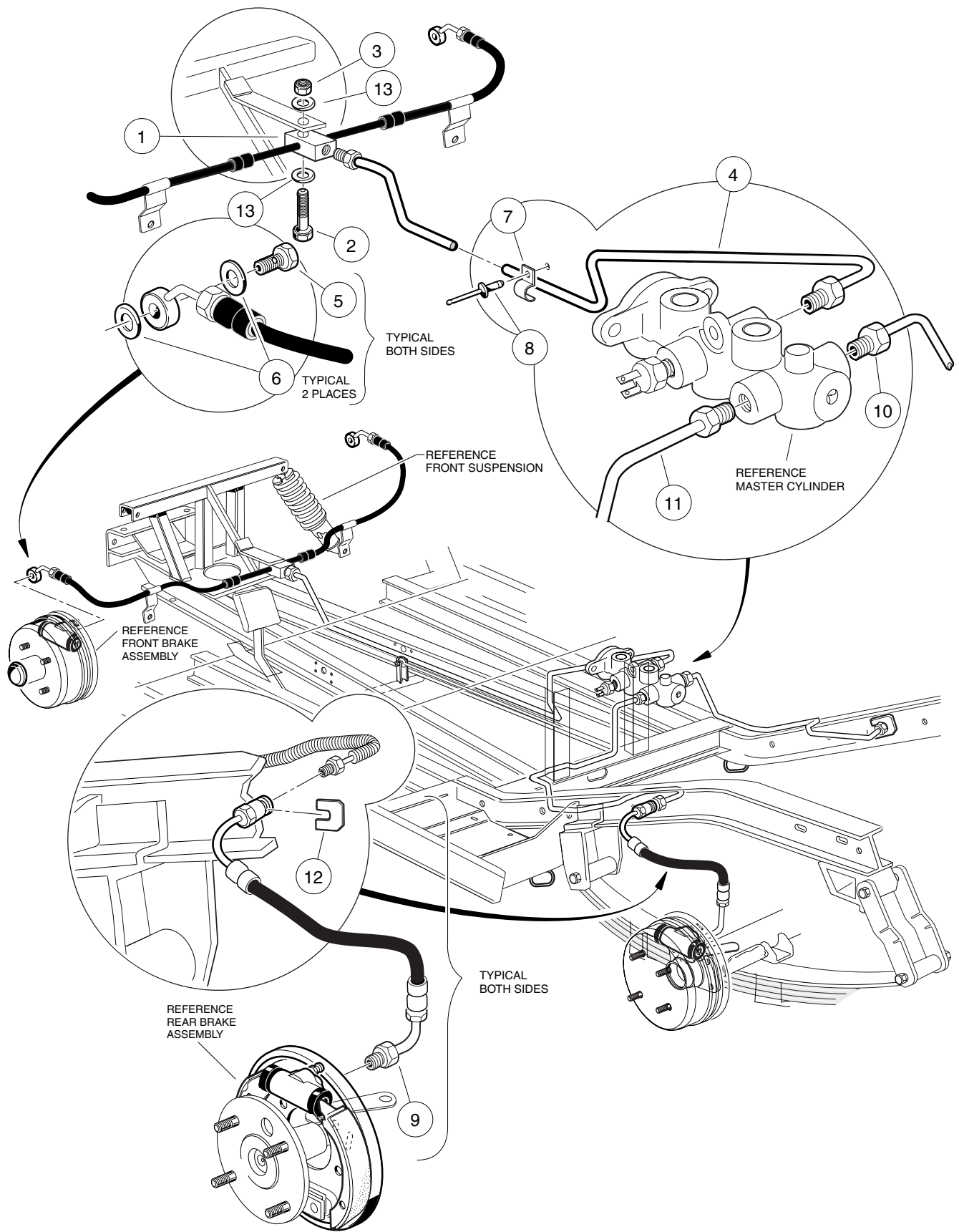
ITEM	PART NO.	DESCRIPTION	QTY
		1 2 3 4	
	102033401	Assembly, Brake, Driver Side (Includes Items 1 - 15) .....	1
	102033501	Assembly, Brake, Passenger Side (Includes Items 1 - 15) .....	1
1	102049401	Plate, Backing .....	1
2	102049601	Kit, Adjuster, Axle (Includes Items 3 - 6) .....	2
3	102049501	Lever, Adjuster .....	1
4	102049901	Bolt, 1/4-28 x .31 .....	1
5	102050001	Washer, Bellville .....	1
6	102050101	Cover, Dust .....	1
7	102050801	Cylinder, Wheel, 7/8 .....	1
8	102049701	Kit, Axle Hardware (Not Shown) (Includes Items 9 - 12) .....	1
9	102050401	Bolt, Wheel Cylinder, Self-locking, M6 x 1 .....	2
10	102050601	Spring, Shoe To Shoe (Upper) .....	1
11	102050501	Spring, Shoe To Shoe (Lower) .....	1
12	102050701	Hold-Down, Shoe .....	2
13	102050201	Kit, Hydraulic Shoe (BPI 4070) (Four Shoes per Kit) .....	1
14	102050901	Lever, Park Brake, Passenger Side .....	1
14	102050902	Lever, Park Brake, Driver Side .....	1
15	102044101	Drum, Brake .....	1
16	102051001	Screw, Pan Head, Torx, 5/16-24 x 1 .....	8
17	1017233	Washer, Flat, 5/16 .....	8
18	1013924	Nut, Hex Head Lock, Grade 8, 5/16-24 .....	8
19	1010829	Pin, Clevis, 5/16 .....	2
20	1013366	Pin, Hair Spring Cotter .....	2
21	1010984	Nut, Lug .....	8



# MASTER CYLINDER



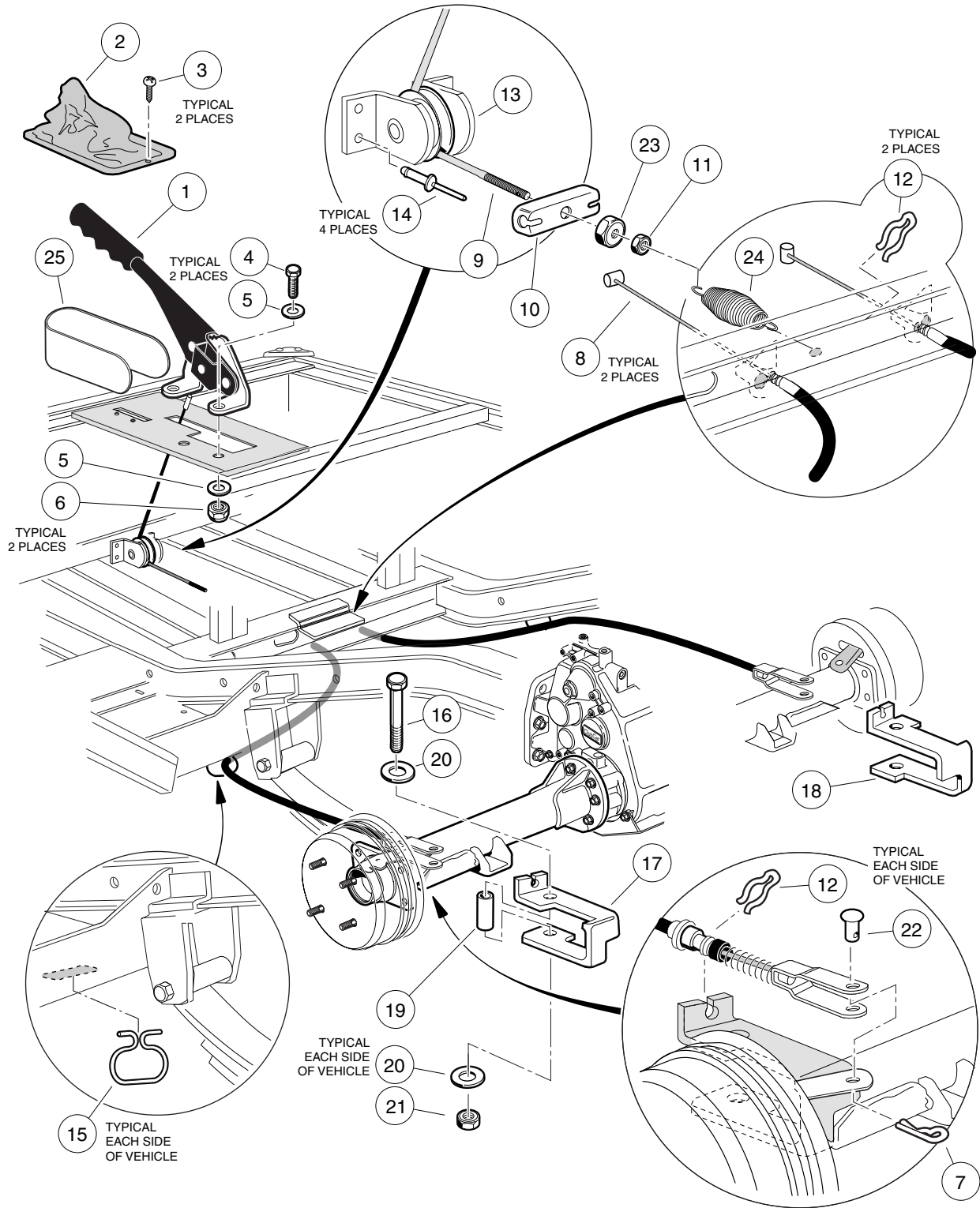
ITEM	PART NO.	DESCRIPTION	QTY
		1 2 3 4	
1	102033201	Assembly, Master Cylinder (Includes Items 2 - 5) .....	1
2	102051101	Boot .....	1
3	102051201	Rod, Push .....	1
4	102051301	Switch, Pressure .....	1
5	102051401	Cap, Filler .....	1
6	101953001	Bolt, Hex Head Shoulder, 3/8-16 x 1 .....	2
7	1010934	Screw, Hex Head Cap, 5/16-18 x 1 .....	6
8	7473	Nut, Nylon Lock, 5/16 .....	7
9	102057701	Screw, Hex Head Cap, 1/2-13 x 3-1/2.....	1
10	1241	Washer, Flat (Type A), 5/16.....	4
11	101903101	Nut, Nylon Lock, 1/2-13 .....	1
12	102057801	Spacer .....	2
13	102054201	Crank, Bell .....	1
14	102057501	Bearing, Roller .....	2
15	102057601	Race, Inner .....	1
16	101806102	Clevis, Rod .....	1
17	101953105	Rod, Equalizer .....	1
18	1013531	Spring, Brake Pedal Return .....	1
19	102054401	Bracket, Master Cylinder Mounting .....	1



# HYDRAULIC BRAKE SYSTEM

ITEM	PART NO.	DESCRIPTION	QTY
		1 2 3 4	
1	102032801	Hose, Brake, Front .....	1
2	7479	Screw, Hex Head Cap, 1/4-20 x 1-1/4 .....	1
3	8233	Nut, Nylon Lock, 1/4-20 .....	1
4	102032901	Line, Brake, Front .....	1
5	102044401	Bolt, Banjo, 3/8-24 .....	2
6	102045501	Washer, Copper .....	4
7	102045801	P-clamp .....	3
8	1014136	Rivet, Pop, Stainless Steel, 3/16 x 1/2 .....	3
9	102033101	Hose, Brake, Rear .....	2
10	102033001	Line, Brake, Rear (Passenger Side) .....	1
11	102044001	Line, Brake, Rear (Driver Side) .....	1
12	102045701	Clip, Horseshoe .....	2
13	1014007	Washer, Flat, 1/4 .....	2







# HAND PARK BRAKE ASSEMBLY

4

G

ITEM	PART NO.	DESCRIPTION	QTY
		1 2 3 4	
1	54509823	Lever, Park Brake .....	1
2	102033701	Boot, Park Brake Lever .....	1
3	101832001	Screw, Phillips Head, 5/16-18 .....	2
4	705	Screw, Hex Head Cap, 3/8-16 x 1-1/4 .....	2
5	1011990	Washer, Flat, 3/8 .....	4
6	8754	Nut, Nylon Lock, 3/8-16 .....	2
7	1013366	Pin, Hair Spring Cotter .....	2
8	102033901	Cable, Park Brake, Long .....	2
9	54512587	Cable, Park Brake, Short .....	1
10	102052701	Equalizer .....	1
11	102160501	Nut, Hex, 5/16-24 .....	1
12	102028401	Clip, Park Brake Cable .....	4
13	102028301	Pulley, Flat Mount, 1-1/2 .....	1
14	101880901	Rivet, Pop, 3/16 x 1/2 .....	4
15	101900802	Hanger, Brake Cable .....	2
16	7561	Screw, Hex Head Cap, 3/8-16 x 3 .....	2
17	102055001	Bracket, Brake Cable (Driver Side) .....	1
18	102055101	Bracket, Brake Cable (Passenger Side) .....	1
19	1016350	Spacer .....	2
20	334	Washer, Flat, 7/16 .....	4
21	8754	Nut, Nylon Lock, 3/8-16 .....	2
22	1010829	Pin, Clevis, 5/16 .....	2
23	102052801	Nut, Hex Cone, 5/16-24 .....	1
24	1013531	Spring .....	1
25	54562079	Shield, Boot .....	1

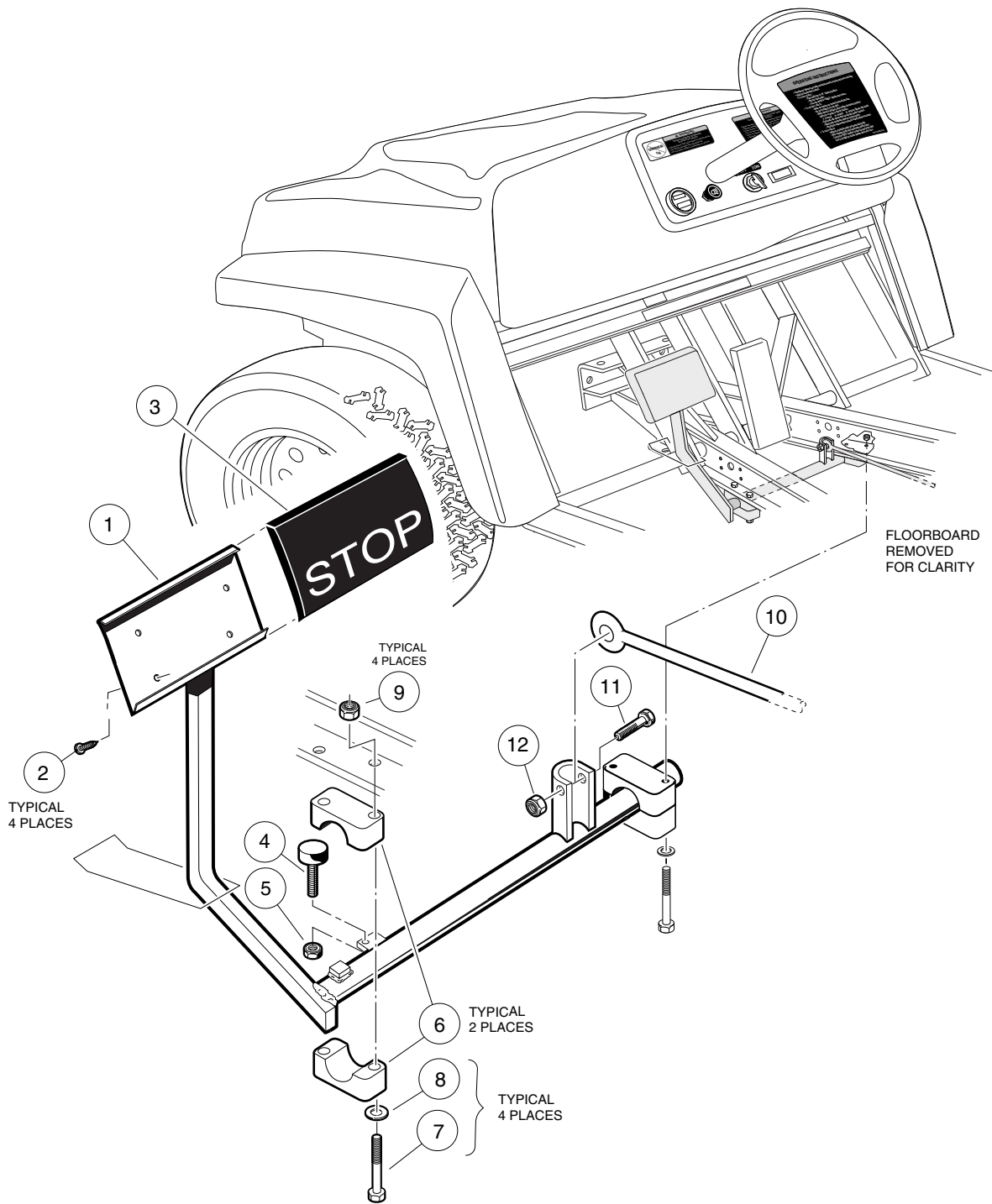


# PEDAL GROUP

---

**5**

**G**

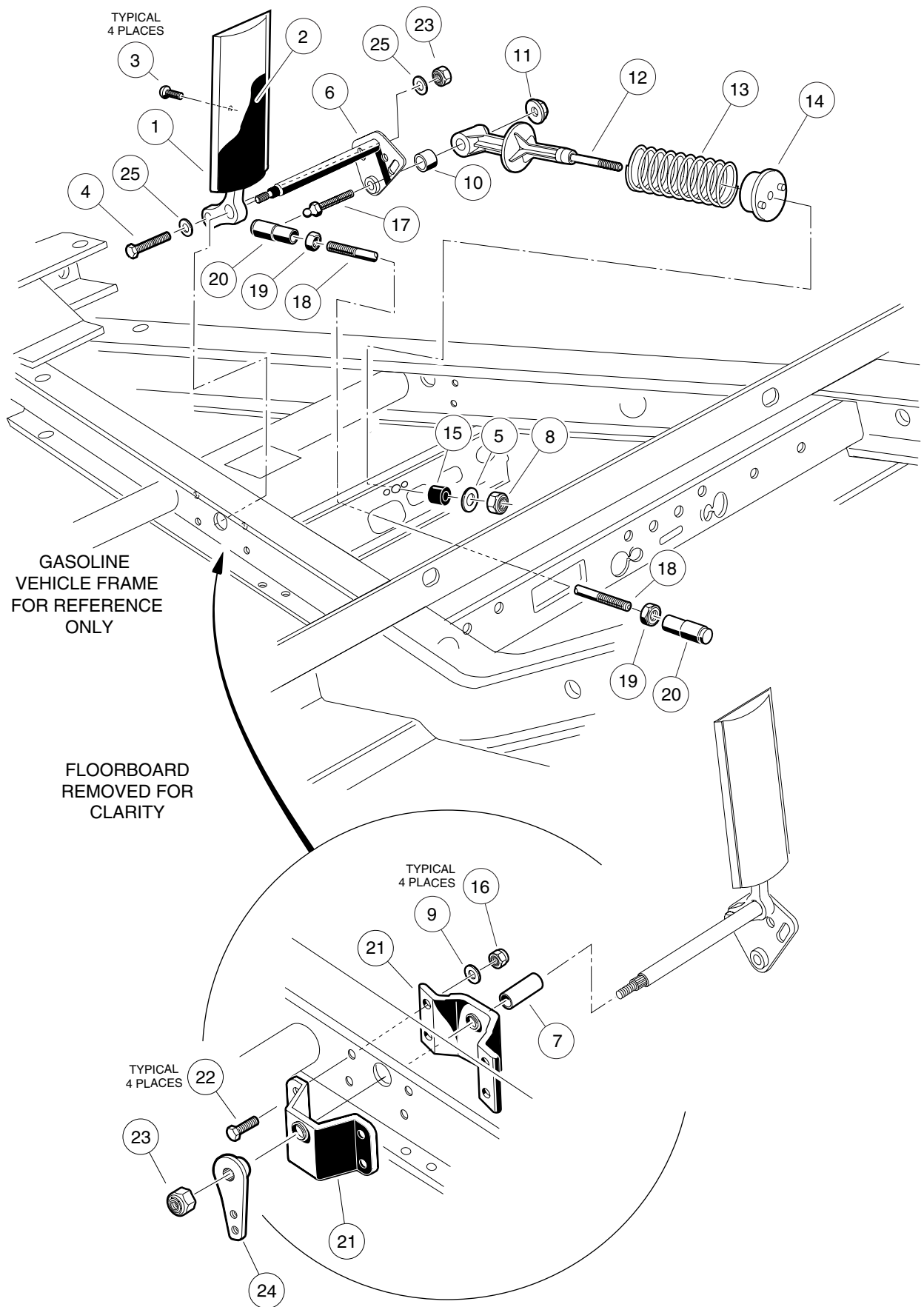


# BRAKE PEDAL ASSEMBLY

ITEM	PART NO.	DESCRIPTION	QTY
		1 2 3 4	
1	102028901	Assembly, Brake Pedal (Includes Items 2 - 5) .....	1
2	7716	Screw, Slotted Hex Washer Head, #10-16 x 1/2 .....	4
3	102028601	Pad, Brake Pedal .....	1
4	1010878	Bumper, Rubber .....	1
5	1028	Nut, Hex, 1/4-20 .....	1
6	1011402	Package, Brake Mounting Block (Contains Upper and Lower for Driver and Passenger Sides) .....	1
7	1010921	Screw, Hex Head Cap, 5/16-18 x 2-1/2 .....	4
8	1241	Washer, Flat, 5/16 .....	4
9	7473	Nut, Nylon Lock, 5/16-18 .....	4
10	101953105	Rod, Equalizer .....	1
11	101953001	Bolt, Hex Head Shoulder, 3/8 x 1 .....	1
12	7473	Nut, Nylon Lock, 5/16-18 .....	1

5

G



# ACCELERATOR PEDAL ASSEMBLY

ITEM	PART NO.	DESCRIPTION	QTY
		1 2 3 4	
1	1017696	Assembly, Accelerator Pedal (Includes Item 2 and 3) .....	1
2	1013871	Pad, Pedal .....	1
3	7716	Screw, Slotted Hex Washer Head, #10-16 x 1/2 .....	4
4	1624	Screw, Hex Head Cap, 3/8-16 x 1-1/2 .....	1
5	1241	Washer, Flat, 5/16 .....	1
6	102026001	Kit, Accelerator Pivot Rod (Includes Item 7) .....	1
7	1011700	Spacer .....	1
8	7473	Nut, Nylon Lock, 5/16-18 .....	1
9	332	Washer, Flat, 1/4 .....	4
10	1017424	Bearing, Pivot Support .....	1
11	101966901	Nut, Flanged Lock, 1/4-28 .....	1
12	101817401	Retainer, Spring .....	1
13	101796201	Spring, Return .....	1
14	1017378	Cup, Spring .....	1
15	1017380	Bumper, Return Spring .....	1
16	8233	Nut, Nylon Lock, 1/4-20 .....	4
17	101818801	Stud, Ball .....	1
18	101822001	Assembly, Accelerator Rod (Includes Items 19 and 20).....	1
19	1011084	Nut, UNF Hex Jam, 1/4-28 .....	2
20	1011734	Joint, Spring-loaded Ball .....	2
21	1011694	Support, Accelerator Pivot Rod .....	2
22	101861901	Screw, Hex Head Cap, 1/4-20 x 1-1/8 .....	4
23	8754	Nut, Nylon Lock, 3/8-16 .....	2
24	101916901	Spacer, Ratchet Support .....	1
25	334	Washer, Flat, 3/8 .....	2

5  
G



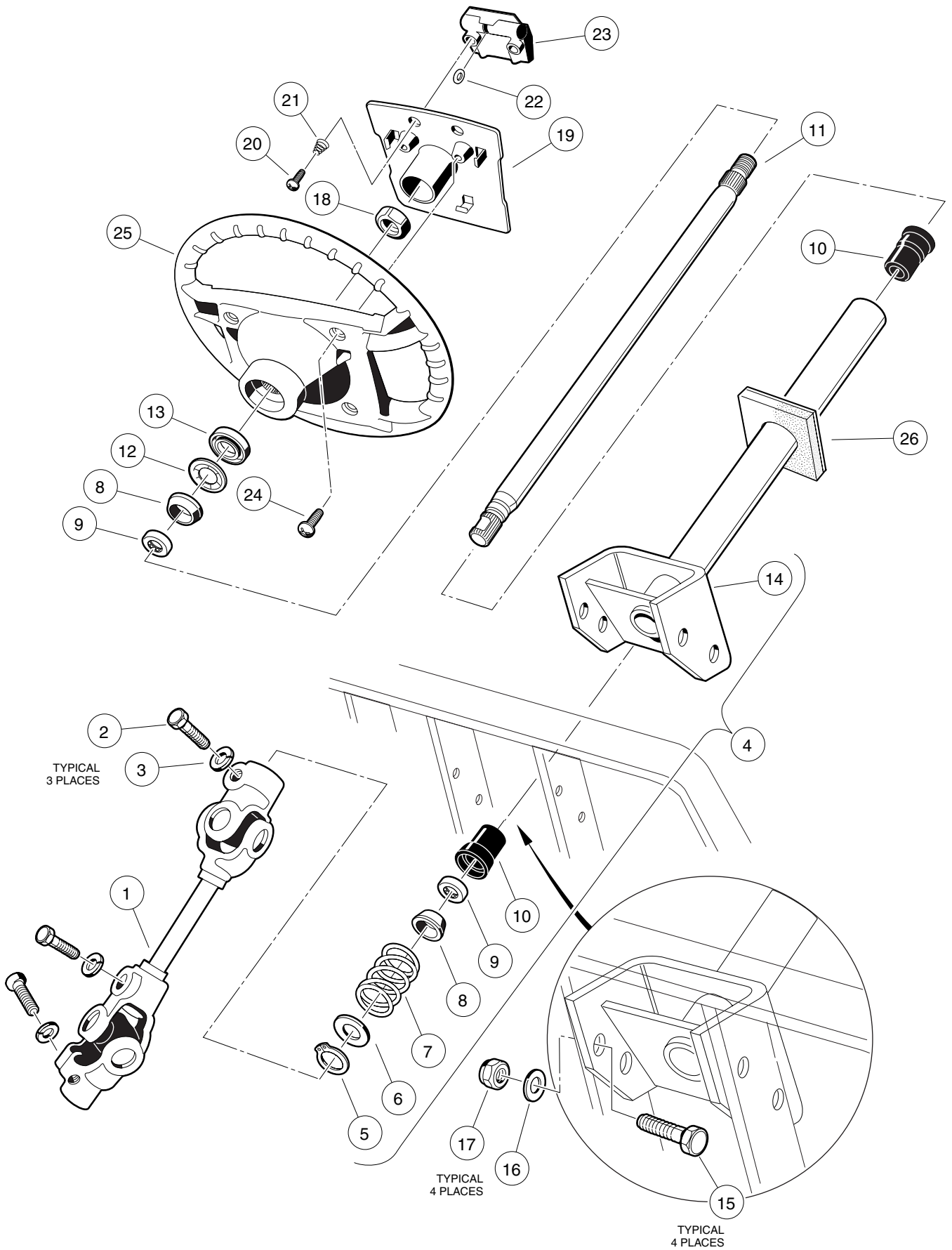


# STEERING, FRONT AND REAR SUSPENSION

---

6

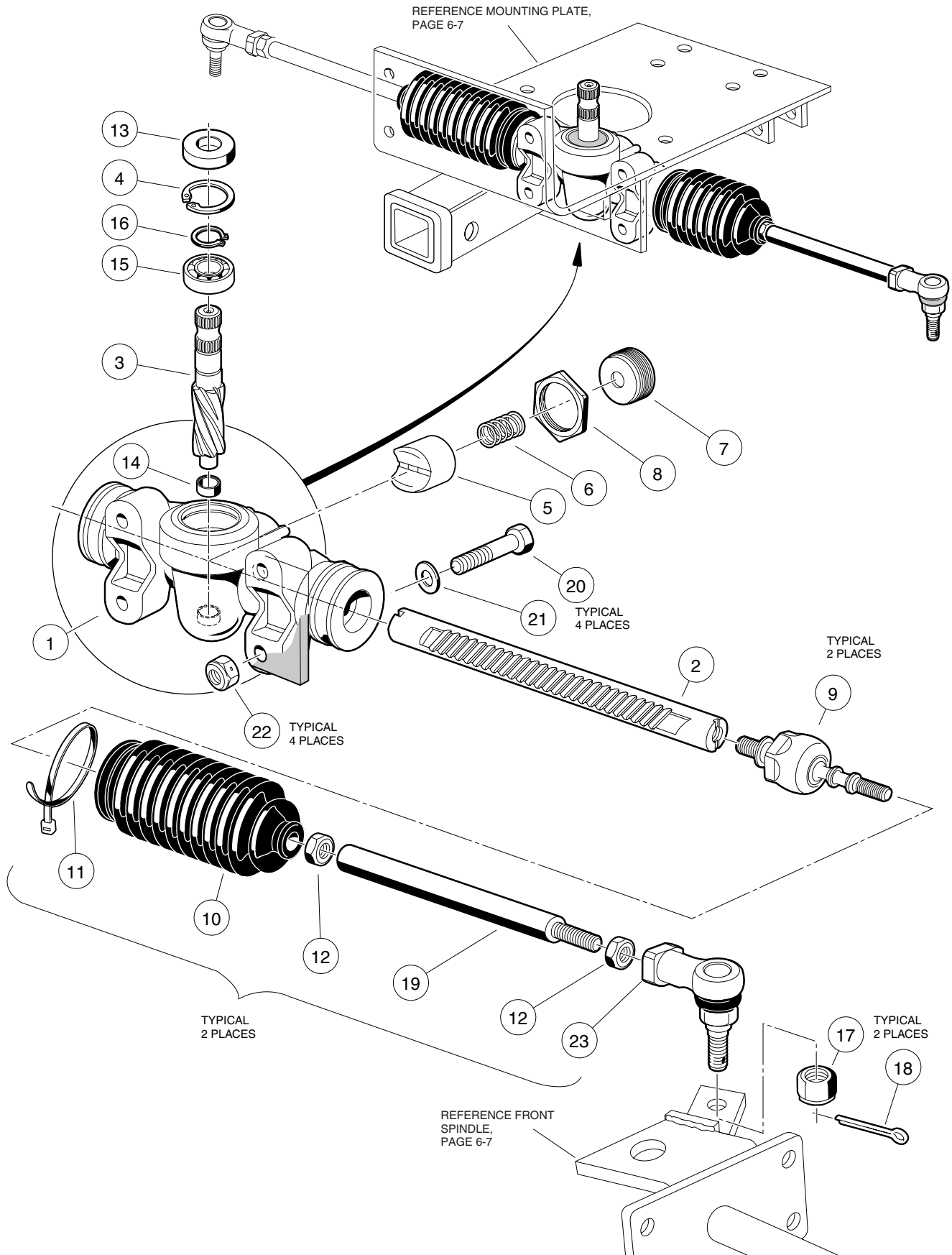
G



# STEERING COLUMN

ITEM	PART NO.	DESCRIPTION	QTY
		1 2 3 4	
1	102010201	Joint, Steering (Includes Items 2 and 3) .....	1
2	1017226	Screw, Hex Head Cap, M8 x 1.25 x 30 mm .....	3
3	7174	Washer, Lock, 5/16 .....	3
4	102013101	Assembly, Steering Column (Includes Items 5 - 14) .....	1
5	1012605	Ring, Retaining .....	1
6	1012604	Washer, Steel, 5/8 .....	1
7	1014217	Spring, Compression .....	1
8	1014125	Wedge .....	2
9	1014213	Assembly, Bearing .....	2
10	1014126	Seat, Bearing .....	2
11	1017315	Shaft, Steering Column .....	1
12	1014214	Ring, Retaining .....	1
13	1014211	Seal, Bearing .....	1
14	102013001	Weldment, Steering Column .....	1
15	320	Screw, Hex Head Cap, 3/8-16 x 1 .....	4
16	334	Washer, Flat, 3/8 .....	4
17	8754	Nut, Nylon Lock, 3/8-16 .....	4
18	1017273	Nut, Nylon Lock, 5/8-18 .....	1
19	1016219	Assembly, Scorecard Plate (Includes Items 20 - 23) .....	1
20	1012565	Screw, Round Head, #12-14 x 1 .....	2
21	1012566	Spring, Tapered Compression .....	2
22	1016214	Grip, Pencil .....	1
23	1016154	Clip, Scorecard .....	1
24	1016663	Screw, Phillips, Type A, #12-14 x 5/8 .....	2
25	1016156	Wheel, Steering .....	1
26	1012499	Boot, Steering Column .....	1

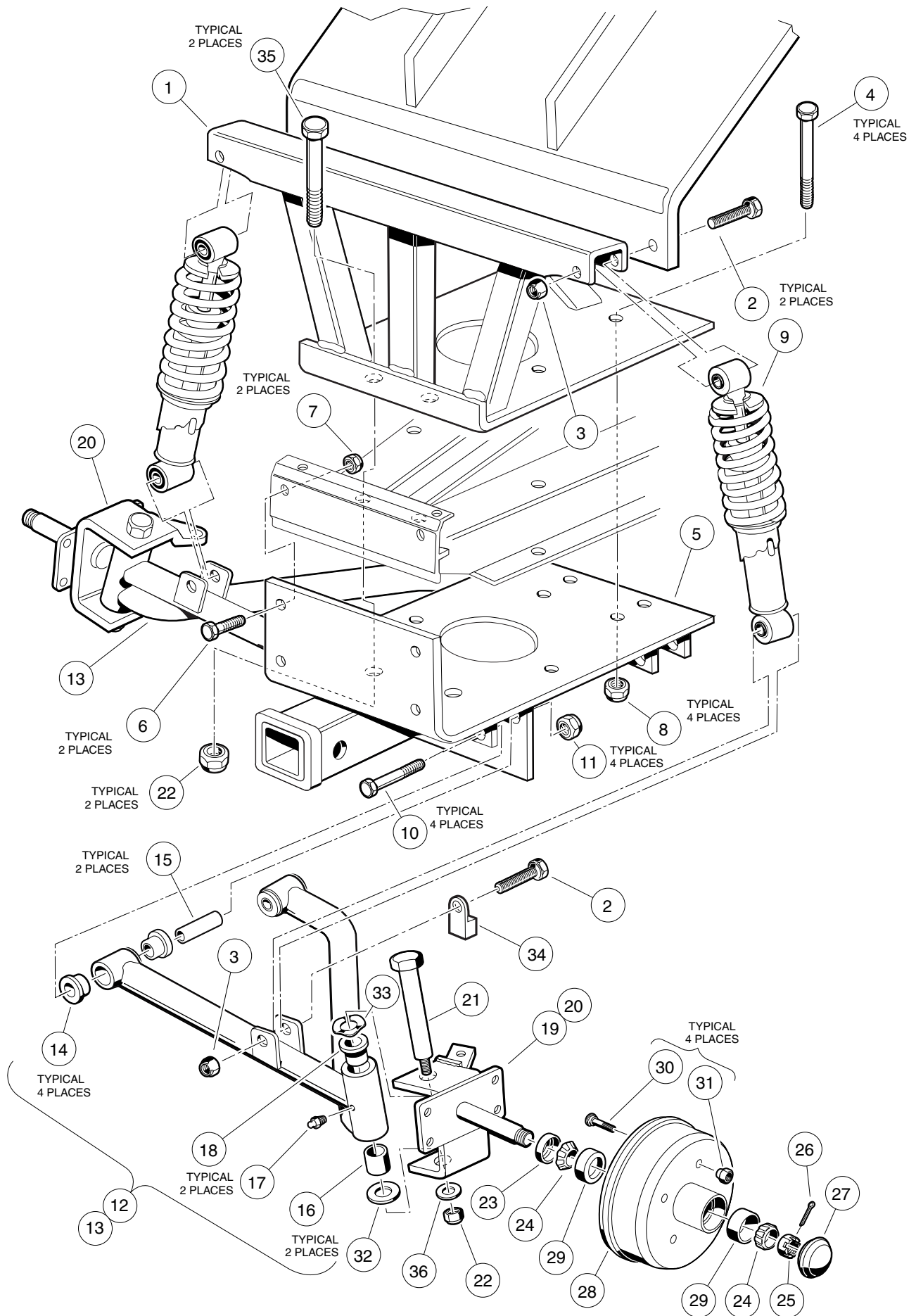




# STEERING GEAR ASSEMBLY

6  
G

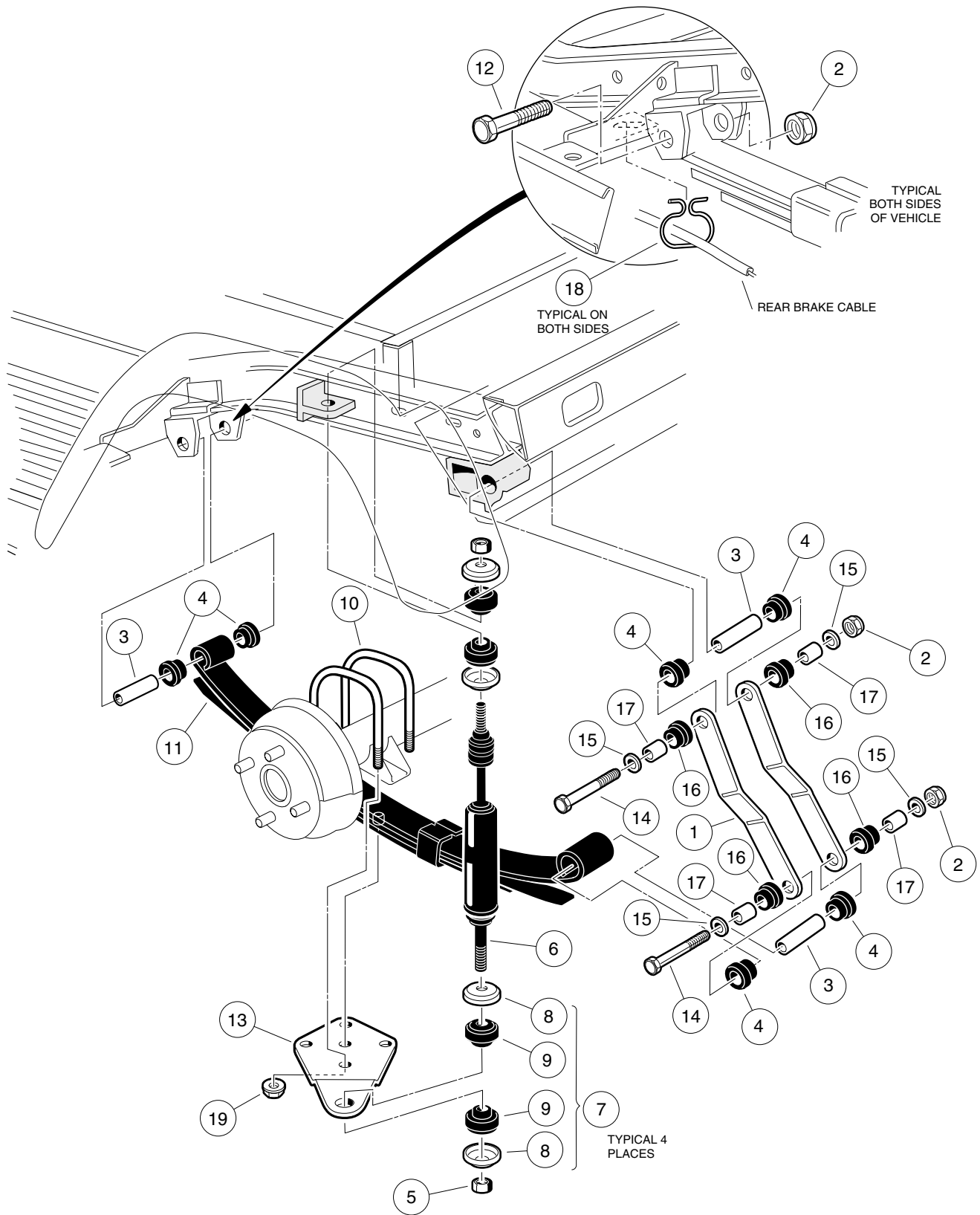
ITEM	PART NO.	DESCRIPTION	QTY
		1 2 3 4	
	102010101	Assembly, Steering Gear Box (Includes Items 1 - 16) .....	1
1	N/A	Box, Steering Gear .....	1
2	N/A	Rack, Steering .....	1
3	N/A	Pinion, Steering .....	1
4	1013051	Ring, Snap .....	1
5	101879701	Guide, Steering Rack .....	1
6	101879801	Spring, Yoke .....	1
7	N/A	Screw, Rack Guide .....	1
8	1013044	Nut, Hex, Jam, .....	1
9	101880201	Assembly, Inner Ball Joint .....	2
10	1013035	Seal, Dust .....	2
11	8990	Tie, Wire .....	2
12	1013042	Nut, Hex Jam, M12 x 1.25 .....	4
13	1013052	Seal, Dust, Steering Pinion .....	1
14	N/A	Bearing, Lower Pinion .....	1
15	101879401	Bearing, Upper Pinion .....	1
16	101879901	Ring, C-type Stop .....	1
17	102022901	Nut, Nylon Lock, M12 x 1.25 .....	2
18	102023301	Pin, Cotter .....	2
19	102022801	Link, Rack and Pinion Drag .....	2
20	1624	Screw, Hex Head Cap, 3/8-16 x 1- 1/2 .....	4
21	334	Washer, Flat, Type A, 3/8 .....	4
22	1010138	Locknut, Dimpled, 3/8-16 .....	4
23	102022601	Joint, Ball .....	2



# FRONT SUSPENSION

6  
G

ITEM	PART NO.	DESCRIPTION	QTY
		1 2 3 4	
1	102012301	Tower, Shock .....	1
2	102023101	Screw, Hex Head Cap, 7/16-14 x 2-1/4 .....	4
3	1014555	Nut, Nylon Lock, 7/16-14 .....	4
4	7270	Screw, Hex Head Cap, 3/8-16 x 4-1/2 .....	4
5	102016801	Plate, Suspension Mounting .....	1
6	1010934	Screw, Hex Head Cap, 5/16-18 x 1 .....	2
7	7473	Nut, Nylon Lock, 5/16-18 .....	2
8	8754	Nut, Nylon Lock, 3/8-16 .....	4
9	102017601	Shock, Coil Over .....	2
10	1016387	Screw, Hex Head Cap, 3/8-16 x 2-3/4 .....	4
11	8754	Nut, Nylon Lock, 3/8-16 .....	4
12	102052401	Assembly, A-arm, Driver Side (Includes Items 14 - 18) .....	1
13	102052301	Assembly, A-arm, Passenger Side (Includes Items 14 - 18) .....	1
14	1016346	Bushing, Urethane .....	4
15	102066701	Sleeve, Steel .....	2
16	7048	Bushing, Bronze .....	1
17	1015587	Fitting, Grease, Thread-forming, 1/4-28 .....	1
18	8067	Bushing, Bronze Spindle .....	1
19	102016701	Spindle, Driver Side .....	1
20	102016501	Spindle, Passenger Side .....	1
21	102048601	Bolt, Kingpin .....	2
22	101903101	Nut, Nylon Lock, 1/2-20 .....	4
23	102023001	Seal, Double Lip .....	2
24	102013701	Bearing, Hub .....	4
25	102013801	Nut, Slotted Hex .....	2
26	102048001	Pin, Cotter, 5/32 x 1/2 .....	2
27	102013601	Cover, Dust .....	2
28	102044201	Assembly, Brake Drum (Includes Items 29 and 30) .....	2
29	102171401	Cup, Bearing .....	2
30	1013787	Stud, Lug, 1/2-20 .....	4
31	1010984	Nut, Lug, 1/2-20 .....	8
32	1010150	Bearing, Thrust .....	2
33	1016389	Washer, Kingpin Wave .....	2
34	102100201	Stop, Steering .....	2
35	102067001	Screw, Hex Head Cap, 1/2-20 x 4-1/2 .....	2
36	1010028	Washer, Flat, 1/2 .....	2





# REAR SUSPENSION

ITEM	PART NO.	DESCRIPTION	QTY
		1 2 3 4	
1	1012304	Shackle, Rear Spring .....	4
2	8754	Nut, Nylon Lock, 3/8-16 .....	6
3	1012303	Bushing, Steel .....	6
4	1015583	Bushing, Urethane .....	12
5	1010145	Nut, UNF Hex, 3/8-24 .....	4
6	102006601	Shock Absorber, Rear .....	2
7	1011415	Kit, Shock Absorber Cushion (Includes Items 8 and 9) .....	4
8	N/A	Retainer, Shock Absorber Cushion .....	2
9	N/A	Cushion, Shock Absorber .....	2
10	102032301	U-bolt .....	4
11	102006501	Spring, Rear Four-leaf .....	2
12	102066201	Screw, Hex Head Cap, Grade 8, 3/8-16 x 3-1/2 .....	2
13	102032201	Pad, Spring .....	2
14	7270	Screw, Hex Head Cap, 3/8-16 x 4-1/2 .....	4
15	808	Washer, Flat, 3/8 .....	8
16	1015453	Mount, Compression .....	8
17	102045601	Spacer .....	8
18	101900802	Hanger, Brake Cable .....	2
19	102065001	Nut, Flange, 7/16-14 .....	8





# ELECTRICAL SYSTEM

---

7

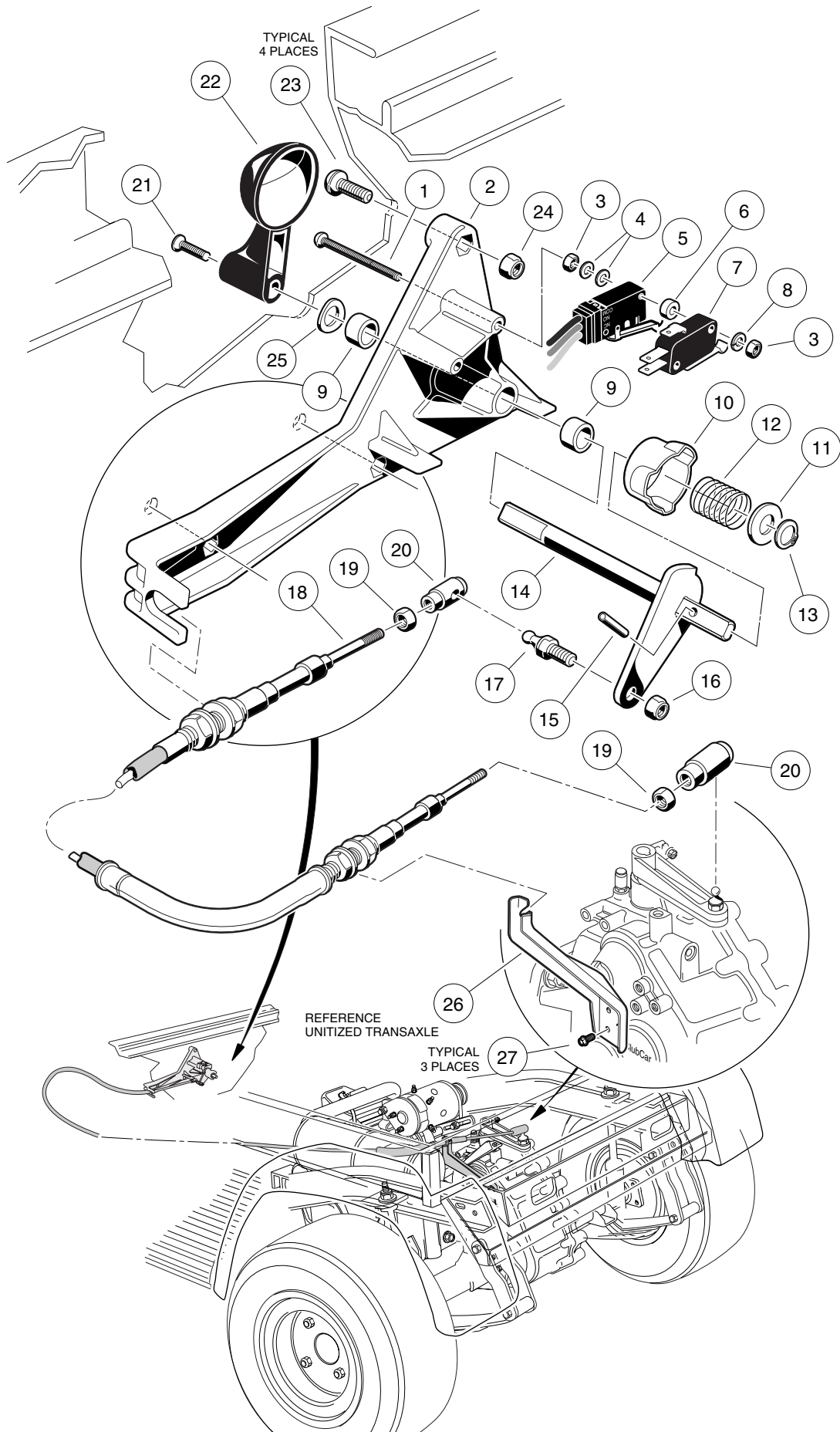
G



# WIRING

7  
G

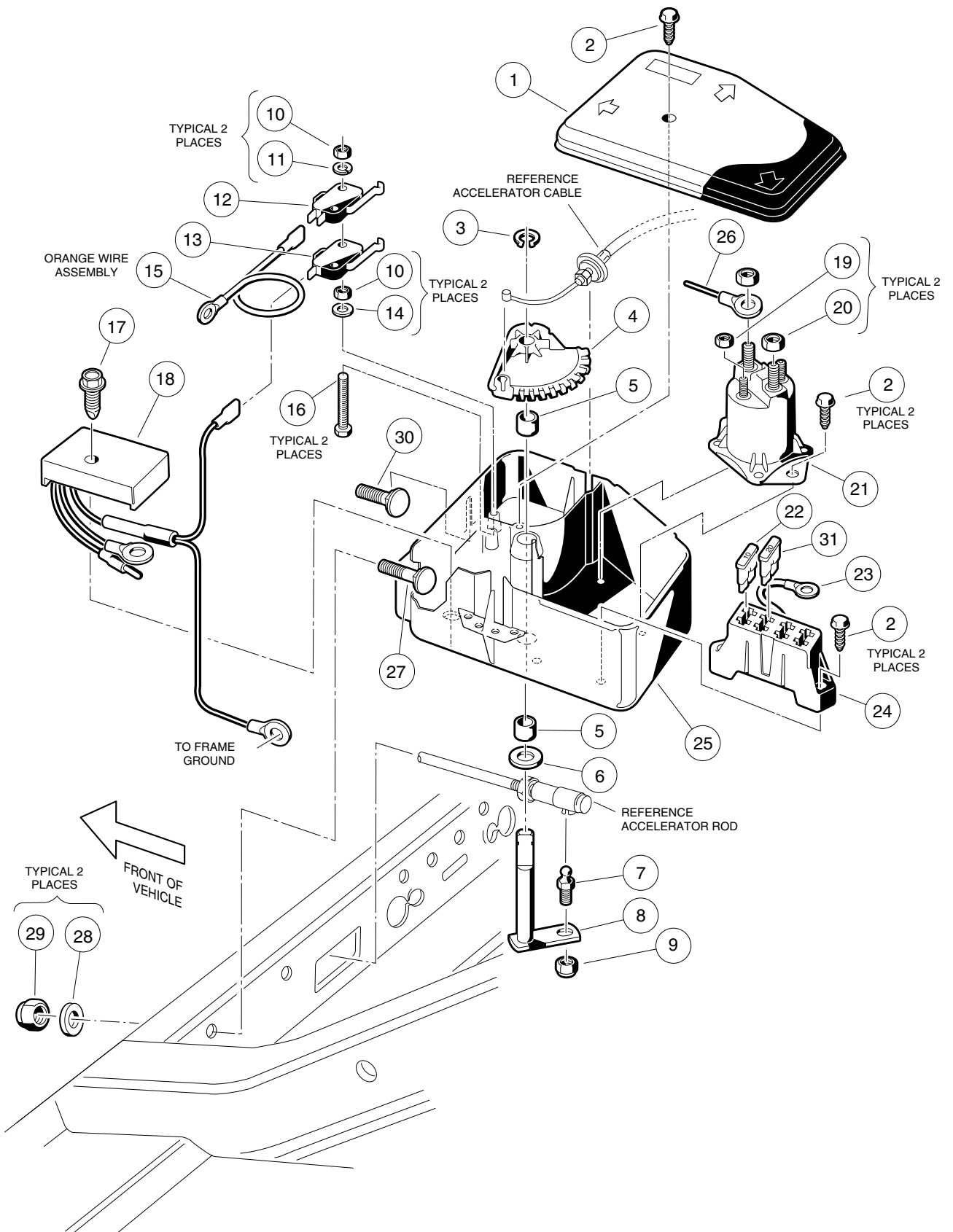
ITEM	PART NO.	DESCRIPTION	QTY
		1 2 3 4	
	102032601	Wire Harness Assembly (Includes Items 1 - 21) .....	1
1	1015769	Wire Assembly, #6 White .....	1
2	N/A	Wire Assembly, #16 Yellow .....	1
3	1016380	Wire Assembly, #6 Black .....	1
4	N/A	Wire Assembly, #18 Green .....	1
5	N/A	Wire Assembly, #18 Yellow .....	1
6	N/A	Wire Assembly, #18 Red/white .....	1
7	N/A	Wire Assembly, #16 Orange .....	1
8	N/A	Wire Assembly, #18 Yellow, #18 Blue .....	1
9	N/A	Wire Assembly, #18 Black .....	1
10	N/A	Wire Assembly, #14 Red, #18 Yellow .....	1
11	N/A	Wire Assembly, #16 Blue, #18 Blue, #18 Brown .....	1
12	N/A	Wire Assembly, #16 Black .....	1
13	N/A	Wire Assembly, #18 White .....	1
14	N/A	Wire Assembly, #18 Green/white .....	1
15	N/A	Wire Assembly, #18 White .....	1
16	N/A	Wire Assembly, #18 Yellow .....	1
17	N/A	Wire Assembly, #18 Black, #14 Black .....	1
18	N/A	Wire Assembly, #16 Brown .....	1
19	N/A	Wire Assembly, #18 Orange .....	1
20	N/A	Wire Assembly, #18 Red .....	1
21	N/A	Wire Assembly, #18 White/Black .....	1
22	N/A	Wire Assembly, #18 Black .....	1
23	1014119	Wire Assembly, #6 Red .....	1
24	N/A	Wire Assembly, #18 Black .....	1
25	N/A	Wire Assembly, #18 Black .....	1
26	1012382	Wire Assembly, #6 Black .....	1
27	N/A	Wire Assembly, #18 Orange (Part of Electrical Component Box) .....	1
28	1015737	Wire Assembly, #10 Red (Part of Electrical Component Box) .....	1
29	1015332	Wire Assembly, #10 Braided Ground .....	1
30	101837301	Wire Assembly, #6 Green .....	1
31	N/A	Wire Assembly, #18 Yellow .....	1
32	N/A	Wire Assembly, #16 Black .....	1



# FORWARD/REVERSE SHIFTER ASSEMBLY

ITEM	PART NO.	DESCRIPTION	QTY
		1 2 3 4	
	1016947	Assembly, Forward/Reverse Shifter (Includes Items 1 - 17) .....	1
1	1012594	Screw, Machine, #4-40 x 1-1/2 .....	2
2	1016342	Base, Forward/Reverse Shifter .....	1
3	8057	Nut, Hex Head, #4-40 .....	4
4	1012431	Washer, Flat, #4 .....	4
5	101979101	Switch, Limit .....	1
6	1014727	Washer, Nylon Flat, #4 .....	2
7	1014807	Switch, Limit .....	1
8	8058	Washer, Lock, #4 .....	2
9	1014145	Bushing, Bronze .....	2
10	1014089	Kit, Neutral Lockout Cam (Includes Item 11) .....	1
11	1014065	Washer, Flat, Delrin .....	1
12	1013590	Spring, Forward/Reverse Cam .....	1
13	1013589	Ring, Retaining .....	1
14	1013587	Weldment, Forward/Reverse Bell Crank .....	1
15	1013591	Pin, Roll, 1/8 .....	1
16	8717	Nut, Nylon Lock, 1/4-28 .....	1
17	1010954	Stud, Ball, 1/4-28 x 1/4 .....	1
18	1015409	Cable, Transmission (Includes Items 19 and 20) .....	1
19	7893	Nut, Hex, #10-32 .....	2
20	1012333	Joint, Ball .....	2
21	1013198	Screw, Phillips Oval Countersunk Machine, #8-32 x 5/8 .....	1
22	1012987	Handle, Forward/Reverse Switch .....	1
23	8248	Screw, Phillips Truss Head, 1/4-20 x 3/4 .....	4
24	8233	Nut, Nylon Lock, 1/4-20 .....	4
25	1016201	Washer, Wave, 3/8 .....	1
26	102045901	Bracket, Transmission Cable Support .....	1
27	1012285	Screw, Thread-rolling, 1/4-20 x 5/8 .....	3





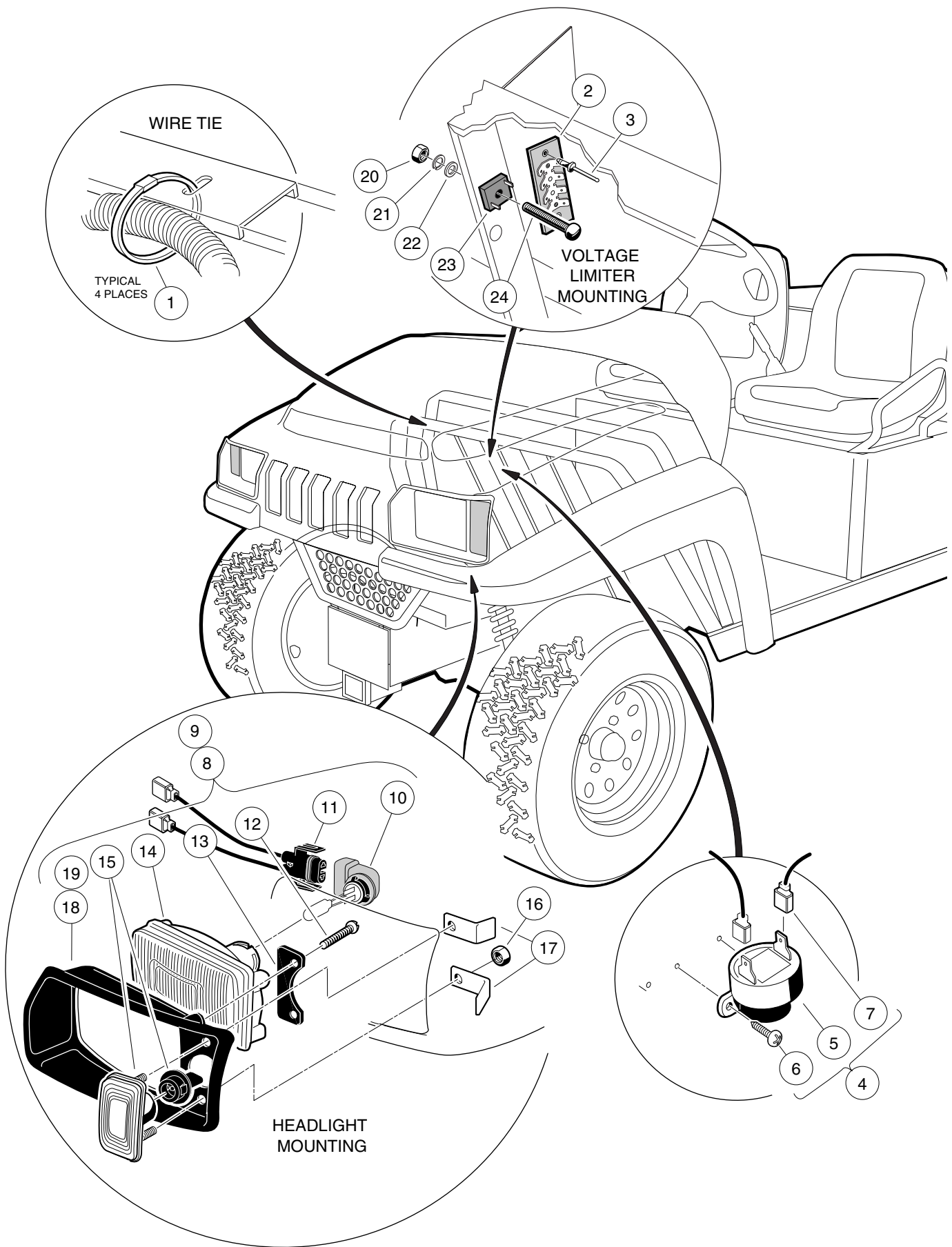


# ELECTRICAL COMPONENT BOX

7

G

ITEM	PART NO.	DESCRIPTION	QTY
		1 2 3 4	
	101992602	Box, Electrical Component, Complete (Includes Items 1 - 25).....	1
1	1015372	Cover, Electrical Component Box .....	1
2	1015752	Screw, Hi-lo, #12-16 x 5/8 .....	5
3	1013589	Ring, Retaining .....	1
4	1015373	Cam, Electrical Box .....	1
5	1014145	Bushing, Bronze .....	2
6	1014065	Washer, Flat, Delrin .....	1
7	1010954	Stud, Ball, 1/4-28 .....	1
8	1015345	Assembly, Bell Crank and Shaft .....	1
9	8717	Nut, Nylon Lock, 1/4-28 .....	1
10	8057	Nut, Hex, #4-40 .....	4
11	8058	Washer, Lock, #4 .....	2
12	1014807	Switch, Limit .....	1
13	1014808	Switch, Limit .....	1
14	1012431	Washer, Flat, #4 .....	2
15	N/A	Wire Assembly, #16 Orange .....	1
16	1015878	Screw, Hex Head Machine, #4-40 x 1-5/8 .....	2
17	101856102	Screw, Hex Washer Head Hi-lo, 1/4-15 x 1-1/2 .....	1
18	1015777	Regulator, Voltage .....	1
19	7893	Nut, Hex, #10-32 .....	2
20	1242	Nut, Hex, 5/16-18 .....	2
21	1013609	Solenoid, 12-volt .....	1
22	1012295	Fuse, 10-amp .....	1
23	1015737	Wire Assembly, #10 Red .....	1
24	1015741	Block, Fuse .....	1
25	1015371	Box, Electrical Component .....	1
26	1014119	Wire Assembly, #6 Red .....	1
27	1015405	Bolt, Carriage, 5/16-18 x 2 .....	1
28	1241	Washer, Flat, 5/16 .....	2
29	7473	Nut, Nylon Lock, 5/16-18 .....	2
30	7818	Bolt, Carriage, 5/16-18 x 1-1/2 .....	1
31	1016423	Fuse, 20-amp .....	1

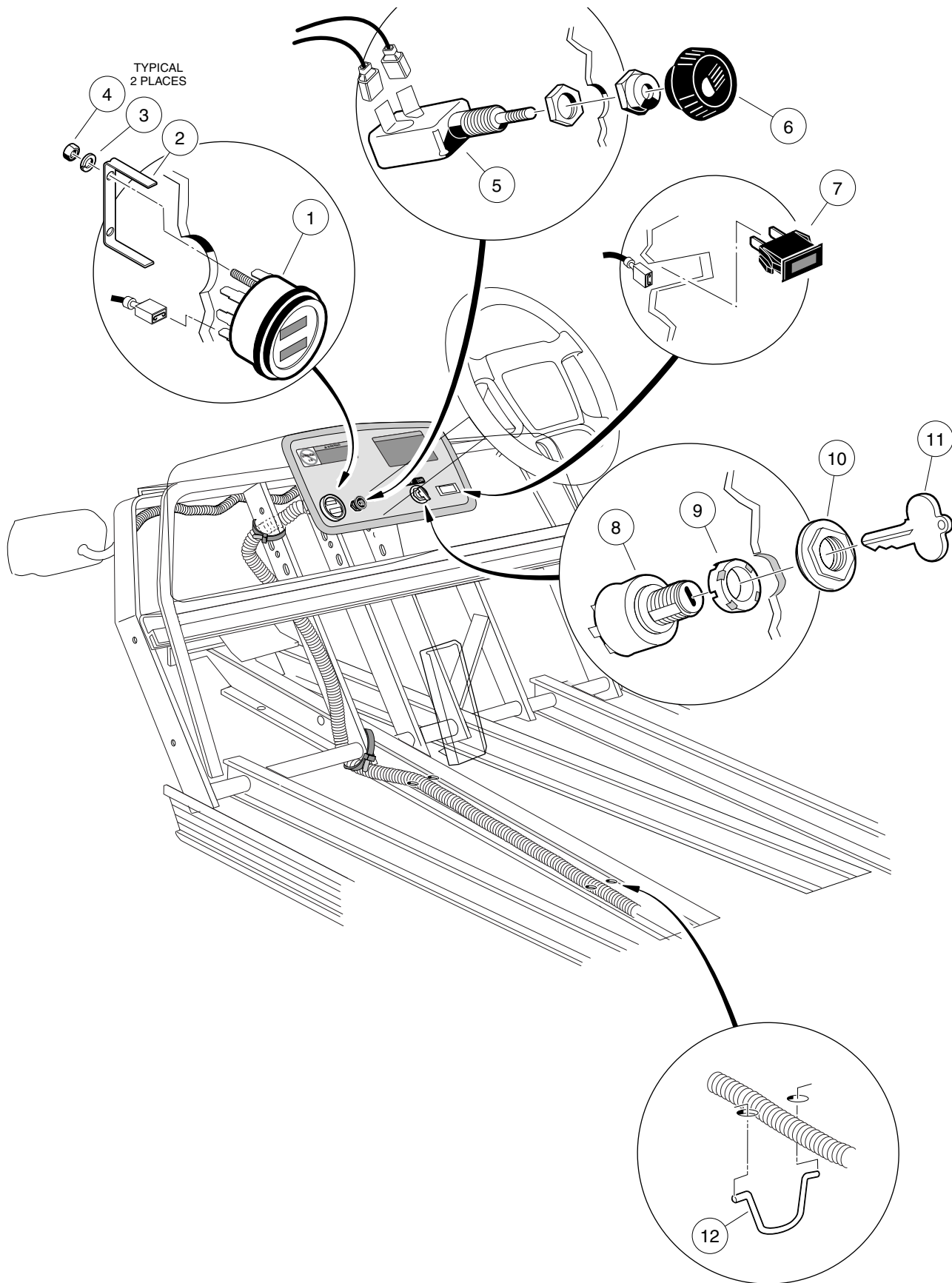


# ELECTRICAL COMPONENTS, FRONT BODY

ITEM	PART NO.	DESCRIPTION	QTY
		1 2 3 4	
1	8639	Tie, Wire .....	4
2	1016356	Block, Terminal .....	1
3	1013357	Rivet, Pop, Aluminum 5/32 .....	2
4	1016859	Kit, Reverse Buzzer (Includes Items 5 - 7) .....	1
5	1016851	Buzzer, Reverse .....	1
6	1016849	Screw, Pan Head Hi-lo, #4-24 x 5/16 .....	2
7	N/A	Wire Assembly, #18 Black .....	1
8	101988001	Assembly, Headlight, Driver Side (Includes Items 10 - 18) .....	1
9	101988002	Assembly, Headlight, Passenger Side (Includes Items 10 - 17 and 19) .....	1
10	101988101	Bulb, Halogen .....	1
11	101987901	Harness, Headlight Wire .....	1
12	1013461	Screw, Hi-lo, #10-16 .....	2
13	1017065	Retainer, Headlight .....	1
14	101988201	Lens, Headlight .....	1
15	1017062	Assembly, Turn Signal Lens .....	1
16	7893	Nut, Hex, #10-32 .....	2
17	1017064	Bracket, Mounting .....	2
18	1016880	Bezel, Headlight, Driver Side .....	1
19	1016879	Bezel, Headlight, Passenger Side .....	1
20	7893	Nut, Hex, #10-32 .....	1
21	1016	Washer, Lock, #10 .....	1
22	183	Washer, Flat, #10 .....	1
23	1017721	Limiter, Voltage .....	1
24	1010909	Screw, Machine Head, #10-32 x 1-1/4 .....	1

7  
G

**7**  
**G**

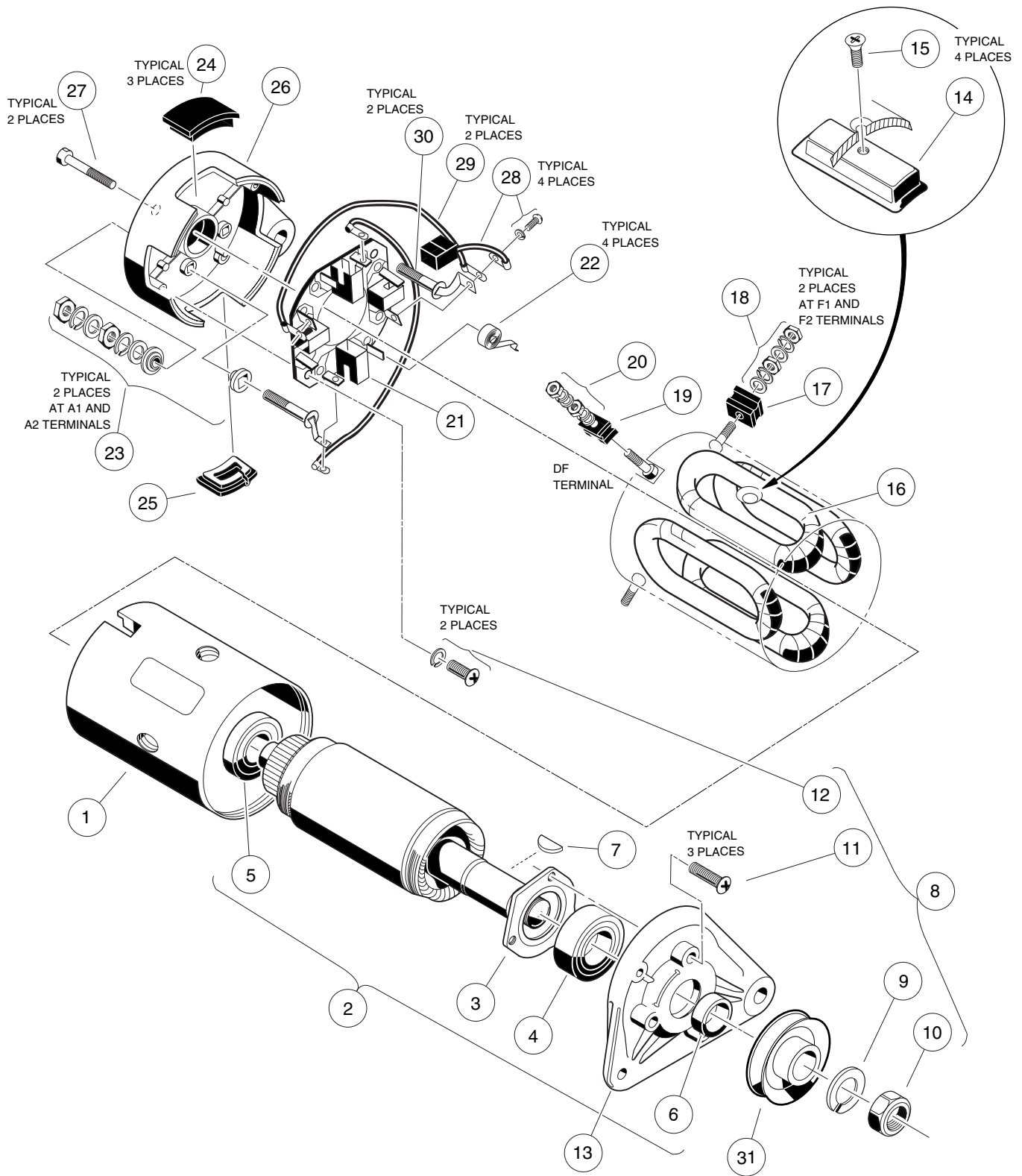


# ELECTRICAL COMPONENTS, DASH PANEL

ITEM	PART NO.	DESCRIPTION	QTY
		1 2 3 4	
1	101990701	Gauge, Fuel/Hour .....	1
2	102025901	Bracket .....	1
3	1012986	Washer, Lock, M4 .....	2
4	101991101	Nut, M4 x .7 .....	2
5	102051901	Switch, Light (Includes Item 6) .....	1
6	1013857	Knob, Light Switch .....	1
7	1016630	Light, Oil Warning .....	1
8	102044701	Switch, Key .....	1
9	102051601	Spacer, Key Switch .....	1
10	102051701	Nut, Key Switch .....	1
11	102044801	Key (Pair) .....	1
12	101900901	Retainer, Harness .....	3

7  
G

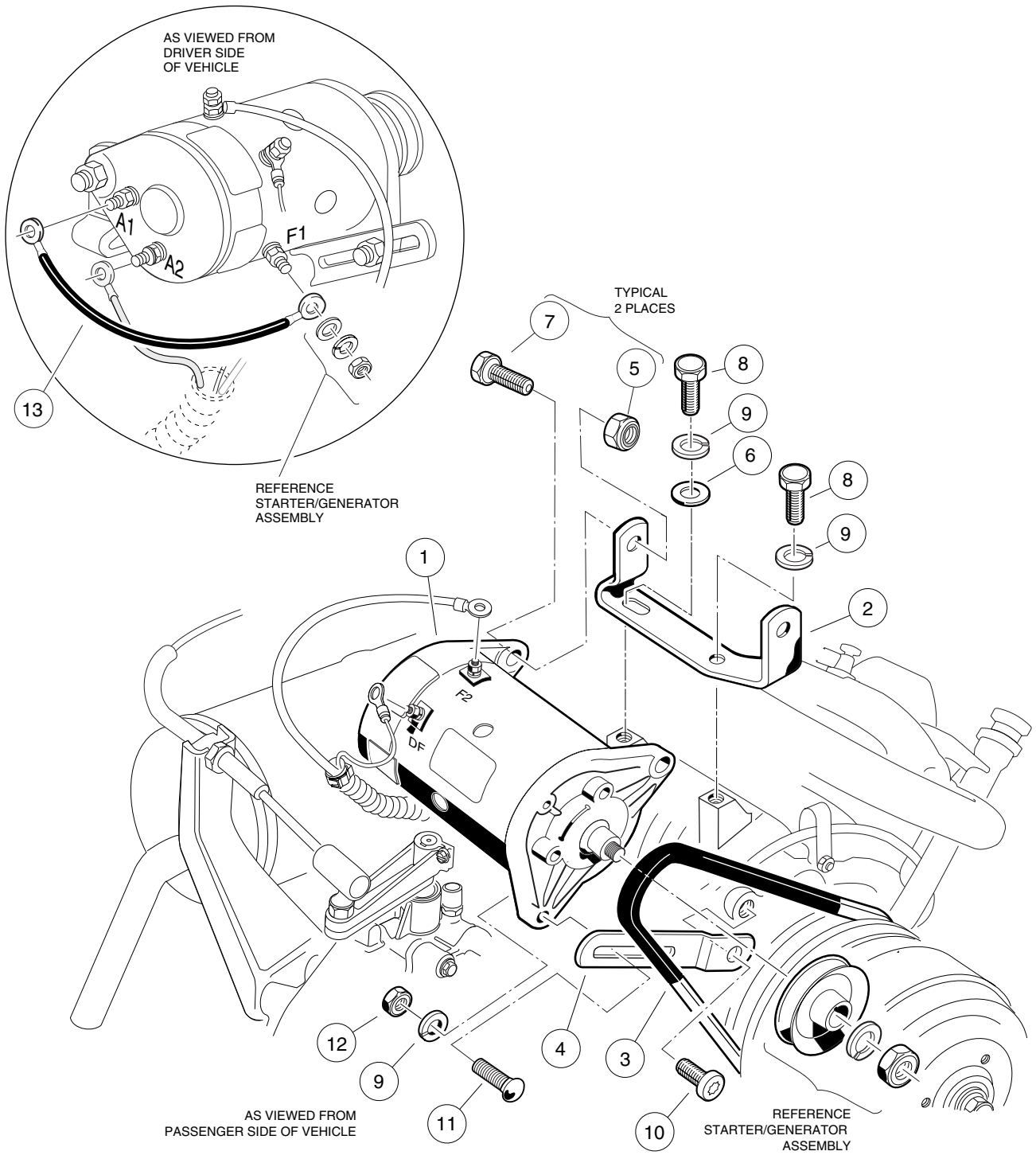
**7**  
**G**



# STARTER/GENERATOR ASSEMBLY



ITEM	PART NO.	DESCRIPTION	QTY
		1 2 3 4	
	101833701	Starter/Generator (Clockwise Rotation) (Includes Items 1 - 30) .....	1
1	101875201	Housing, Field Coil .....	1
2	101875101	Assembly, Armature (Includes Items 3 - 6) .....	1
3	101875001	Retainer, Bearing .....	1
4	1013001	Ball Bearing, Output Shaft .....	1
5	1013005	Commutator, Ball Bearing .....	1
6	101939901	Spacer, 5/16 .....	1
7	1013003	Key, Woodruff .....	1
8	101876501	Kit, Pulley Nut and Screw (Includes Items 9 - 12) .....	1
9	N/A	Washer, Lock, M14 .....	1
10	N/A	Nut, Hex, M14 x 2 .....	1
11	N/A	Screw, Cross-Recessed, M5 x .8 x 18 mm .....	3
12	101896501	Screw, Cross-Recessed, M5 x .8 x 16 mm (with Lock Washer) .....	2
13	101874901	End Bell, Output Shaft .....	1
14	101875301	Set, Pole (Set of 4) .....	1
15	101875401	Screw, Pole Piece (Set of 4) .....	1
16	101875501	Coil, Field .....	1
17	101875601	Insulator, F Terminal .....	2
18	101877601	Package, Terminal Hardware (F1 and F2) .....	2
19	101875701	Insulator, DF Terminal .....	1
20	101877701	Package, Terminal Hardware (DF) .....	1
21	101301102	Holder, Brush (Includes Item 22) .....	1
22	101878101	Spring, Brush .....	4
23	101876001	Package, Terminal Hardware (A1 and A2) .....	2
24	101876301	Cover, Brush Inspection Port (Set of 4) (Includes Item 25) .....	1
25	1017653	Cover, Brush Inspection Port, with Drain .....	1
26	101876402	End Bell, Commutator .....	1
27	101879001	Bolt, Clamp, M6 x 1 x 180 mm .....	2
28	101869302	Package, Brush (Includes 4 Brushes, 4 Screws, 4 Washers) .....	1
29	101876202	Connector, Brush .....	2
30	101875802	A Connector (Set of 2) .....	1
31	1014289	Pulley .....	1



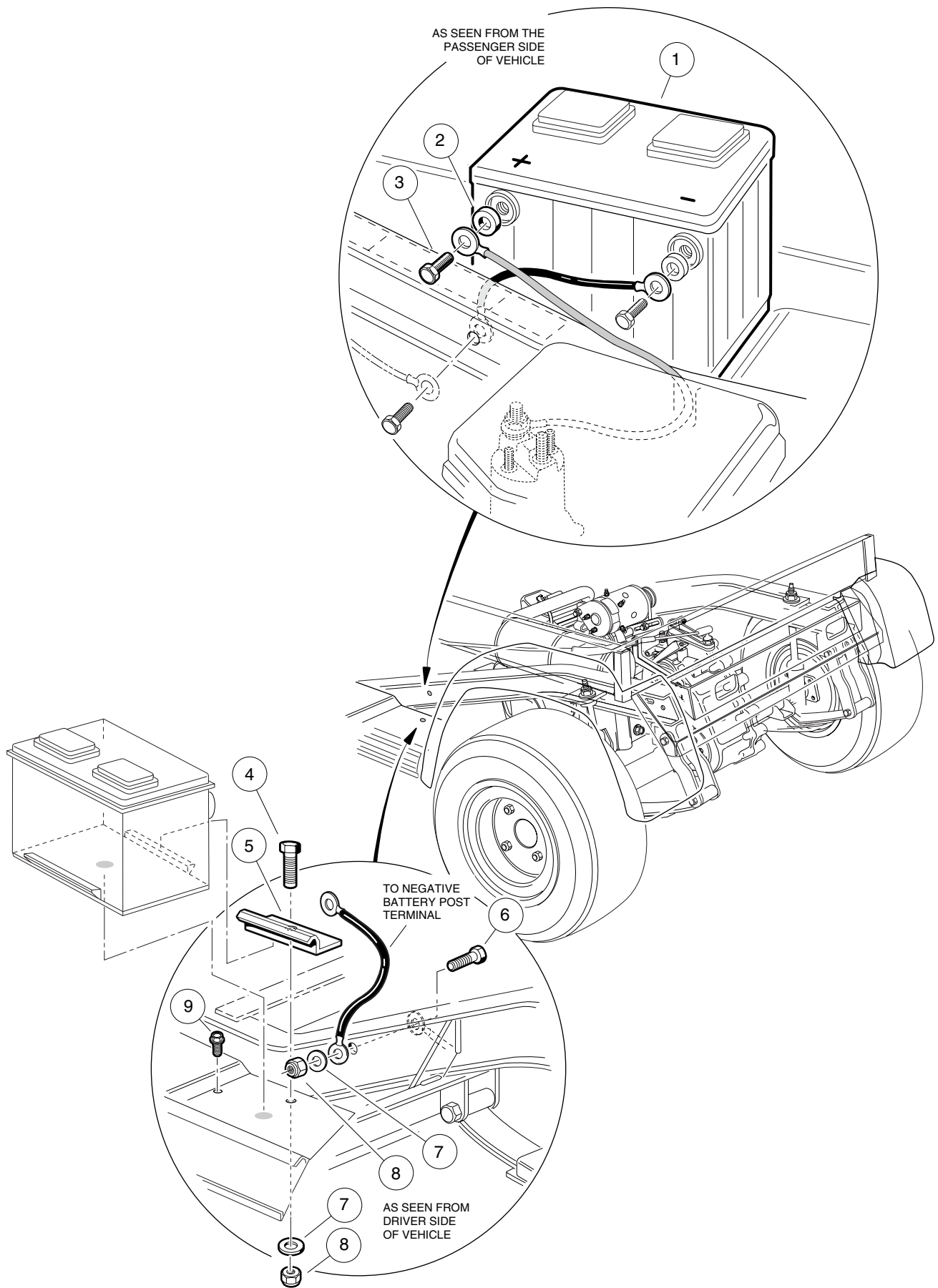


# STARTER/GENERATOR MOUNTING

ITEM	PART NO.	DESCRIPTION	QTY
		1 2 3 4	
1	101833701	Starter/Generator (Clockwise Rotation) .....	1
2	101524002	Bracket, Mounting, FE350 .....	1
3	101916701	Belt, Starter/Generator .....	1
4	1016883	Bracket, Adjusting .....	1
5	8754	Nut, Nylon Lock, 3/8-16 .....	2
6	1015075	Washer, Flat, 5/16 .....	1
7	705	Screw, Hex Head Cap, 3/8-16 x 1-1/4 .....	2
8	1012830	Screw, Hex Head Cap, M8 x 1.25 x 22 mm .....	2
9	7174	Washer, Lock, 5/16 .....	3
10	1016074	Screw, Torx Head, M8 x 1.25 x 18 mm .....	1
11	1015932	Screw, Round-head Square-neck, 5/16-18 x 1 .....	1
12	1242	Nut, Hex, 5/16-18 .....	1
13	101837301	Wire Assembly, #6 Green .....	1



**7**  
**G**



# BATTERY

**7**  
**G**

ITEM	PART NO.	DESCRIPTION	QTY
		1 2 3 4	
1	1012328	Battery, 12-volt .....	1
2	1014374	Spacer, Battery Terminal Bolt .....	2
3	1014375	Screw, Hex Head Cap, Stainless Steel, 3/8-16 x 1/2 .....	2
4	1010934	Screw, Hex Head Cap, 5/16-18 x 1 .....	1
5	101898001	Clamp, Battery .....	1
6	7173	Screw, Hex Head Cap, 5/16-18 x 3/4 .....	1
7	1241	Washer, Flat, 5/16 .....	2
8	7473	Nut, Nylon Lock, 5/16-18 .....	2
9	1014288	Screw, Thread-forming, 5/16-18 x 3/4 .....	1

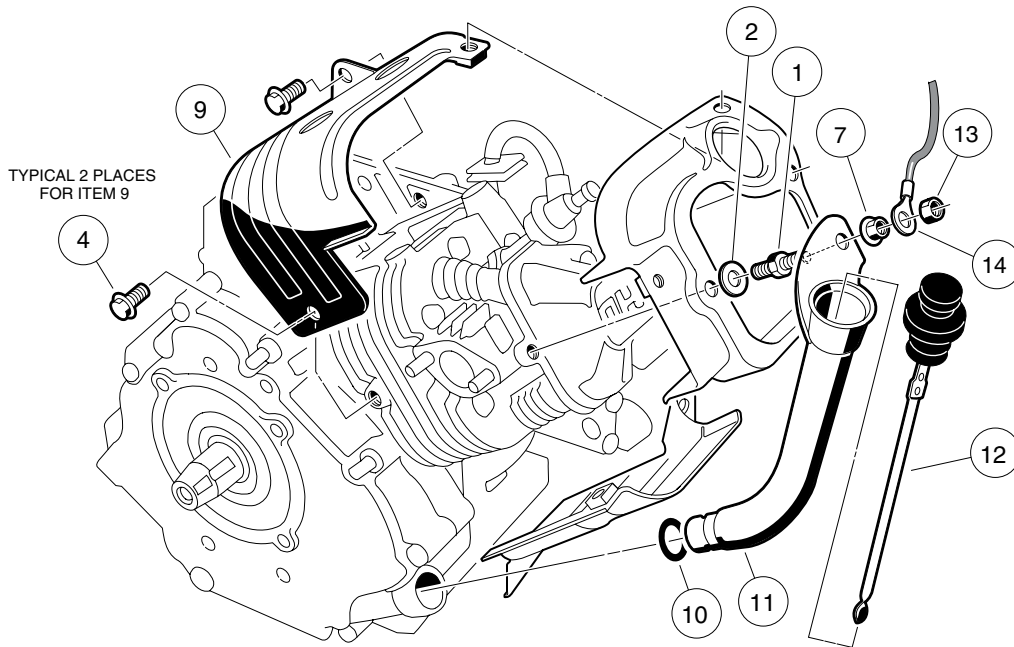
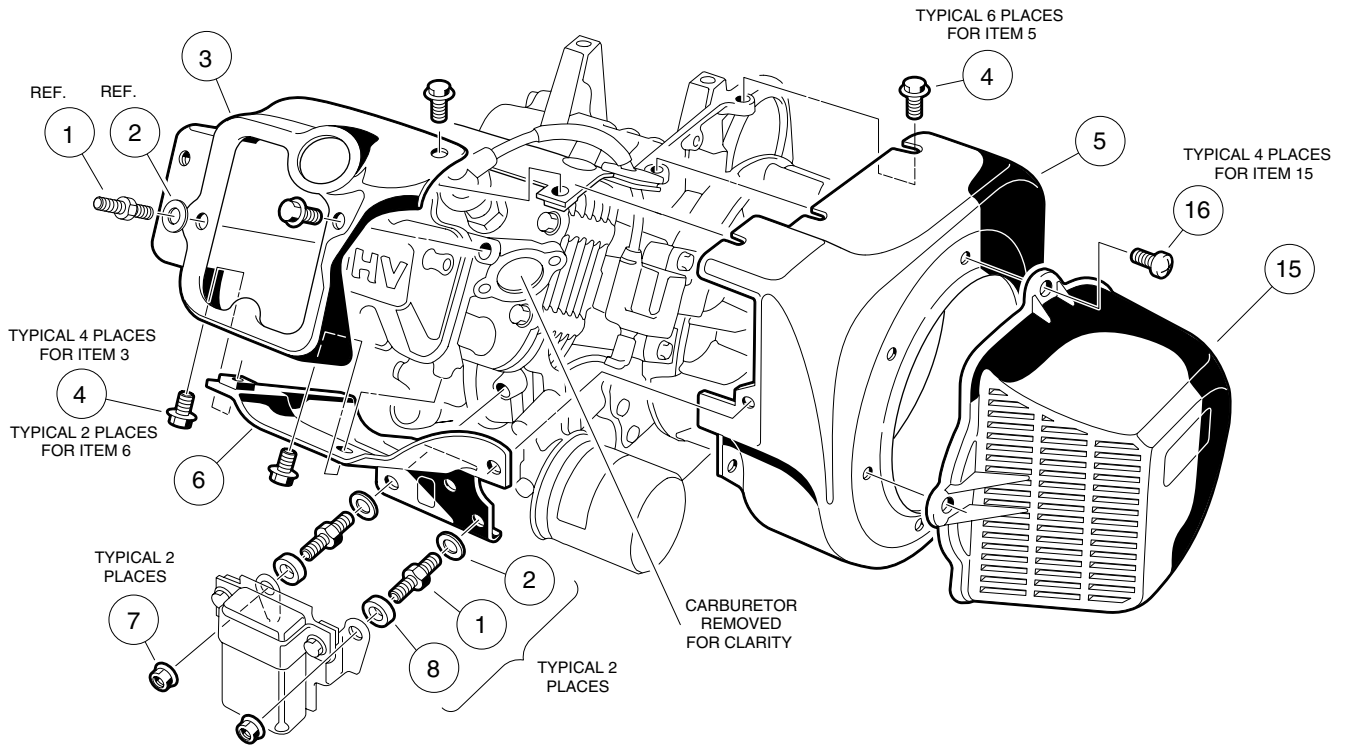


# FE350 ENGINE

---

8

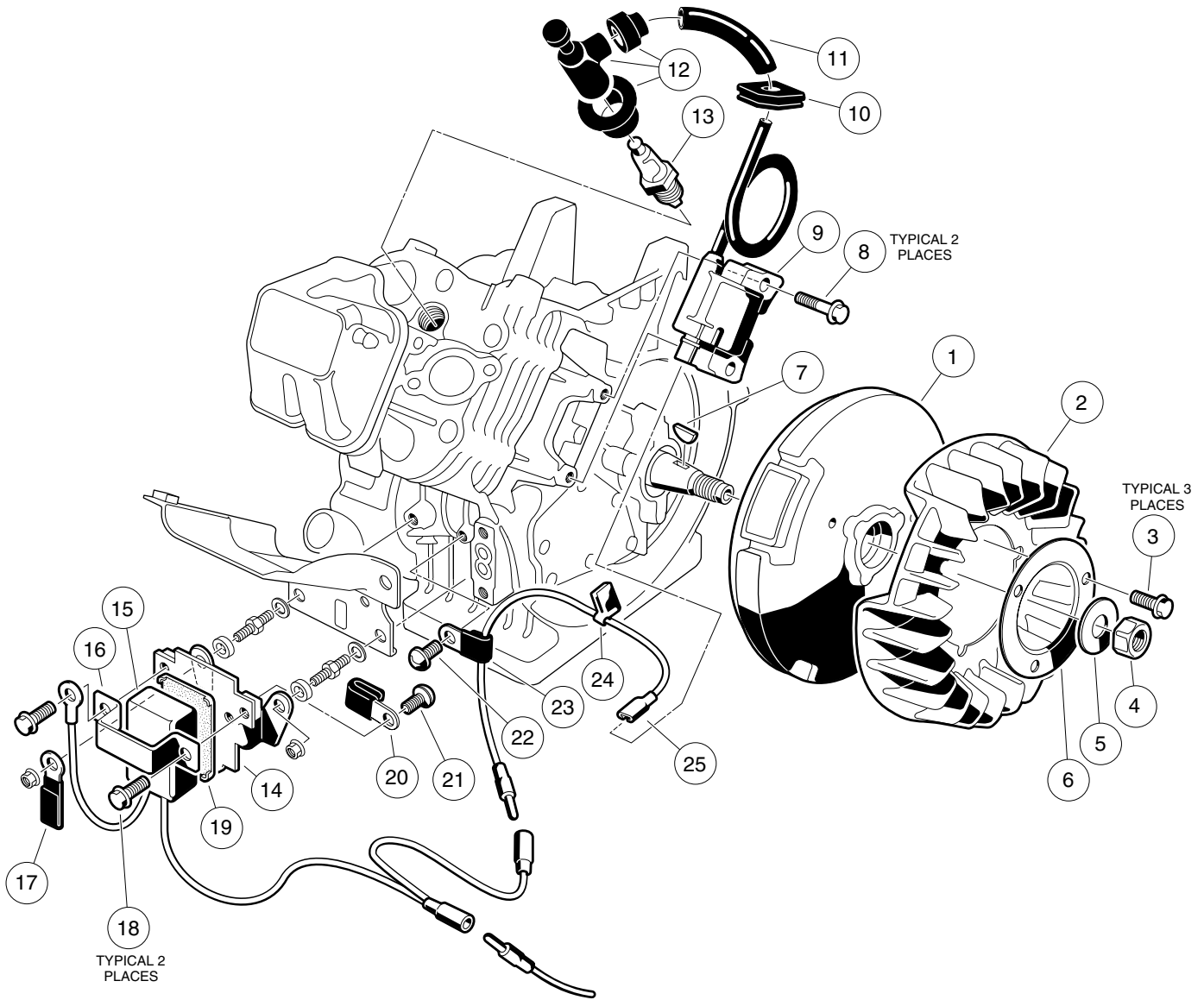
G



# FE350 ENGINE – SHROUDS AND BRACKETS

8  
G

ITEM	PART NO.	DESCRIPTION	QTY
		1 2 3 4	
	101953802	FE350 OHV Gasoline Engine, Complete (Clockwise Rotation) with Carburetor (Without Compression Release) (Does Not Include Items 13 - 16) .....	1
1	1016507	Bolt, 2-ended, M6 x 1 x 29 mm .....	3
2	1016512	Washer, Flat, 6 mm .....	3
3	1017474	Shroud, Cylinder Head .....	1
4	1016456	Bolt, Flanged, M6 x 1 x 12 mm .....	14
5	101916101	Housing, Fan .....	1
6	1017476	Shroud, Lower Cylinder .....	1
7	1016547	Nut, Flanged, M6 x 1 .....	3
8	1017500	Spacer .....	2
9	1017475	Shroud, Upper Cylinder .....	1
10	1016539	O-ring .....	1
11	1017486	Tube, Oil Filler .....	1
12	1016531	Dipstick .....	1
13	101887601	Nut, Nylon Lock, M6 x 1 .....	1
14	1015332	Wire Assembly, #10 Braided Ground .....	1
15	1015649	Shroud, Fan .....	1
16	1015969	Screw, Pan Head, M6 x 1 x 14 mm .....	4

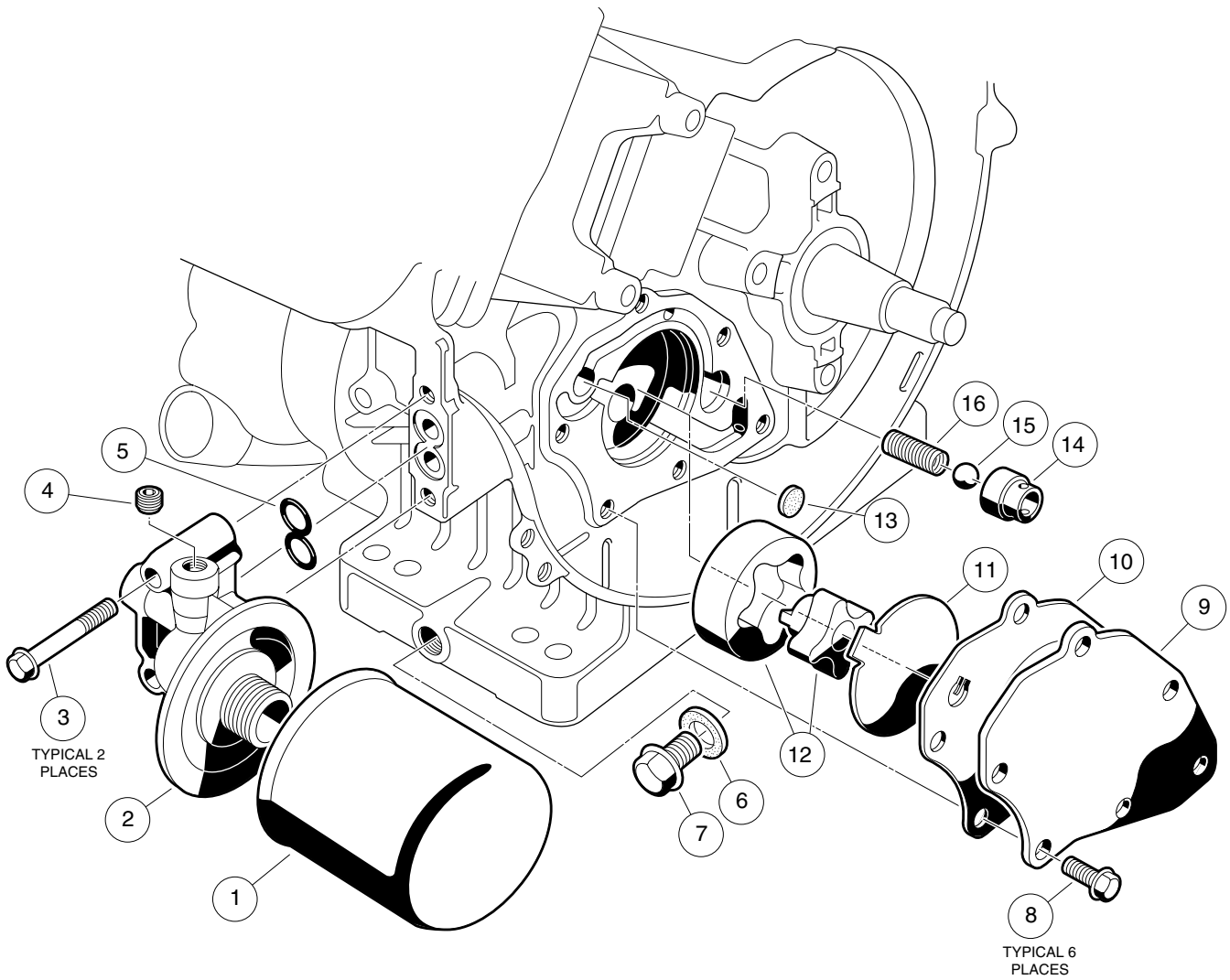




# FE350 ENGINE – IGNITION COMPONENTS AND FLYWHEEL

ITEM	PART NO.	DESCRIPTION	QTY
		1 2 3 4	
1	101916201	Flywheel .....	1
2	101916301	Fan, Flywheel – Gray .....	1
3	1017448	Screw, Flanged Hex Head, M6 x 1 x 10 mm .....	3
4	1017467	Nut, Hex, 18 mm Fine .....	1
5	1017490	Washer, Flat, 18 mm .....	1
6	1017455	Plate, Flywheel Fan .....	1
7	1016562	Key .....	1
8	1016455	Screw, Hex Head Flanged, M5 x 0.8 x 25 mm .....	2
9	101909201	Coil, Ignition (with Internal Igniter) .....	1
10	1016578	Grommet .....	1
11	1016588	Tube, 7 mm I.D. x 10 mm O.D. x 70 mm Long .....	1
12	1017463	Cap, Plug .....	1
13	101881101	Plug, Spark, OHV .....	1
14	1016445	Bracket, RPM Limiter .....	1
15	101909401	Limitter, RPM .....	1
16	1016579	Band, RPM Limiter Mount .....	1
17	1012981	Clamp .....	1
18	1016456	Screw, Flanged Hex Head, M6 x 1 x 12 mm .....	2
19	1016586	Damper .....	1
20	101909501	Clamp .....	1
21	1016497	Screw, Cross Pan Head, M5 x .08 x 8 mm .....	1
22	1016544	Screw, Cross Pan Head Self-tapping, M5 x 12 mm .....	1
23	1016561	Clamp .....	1
24	1016587	Clamp .....	1
25	101909301	Wire, Lead .....	1

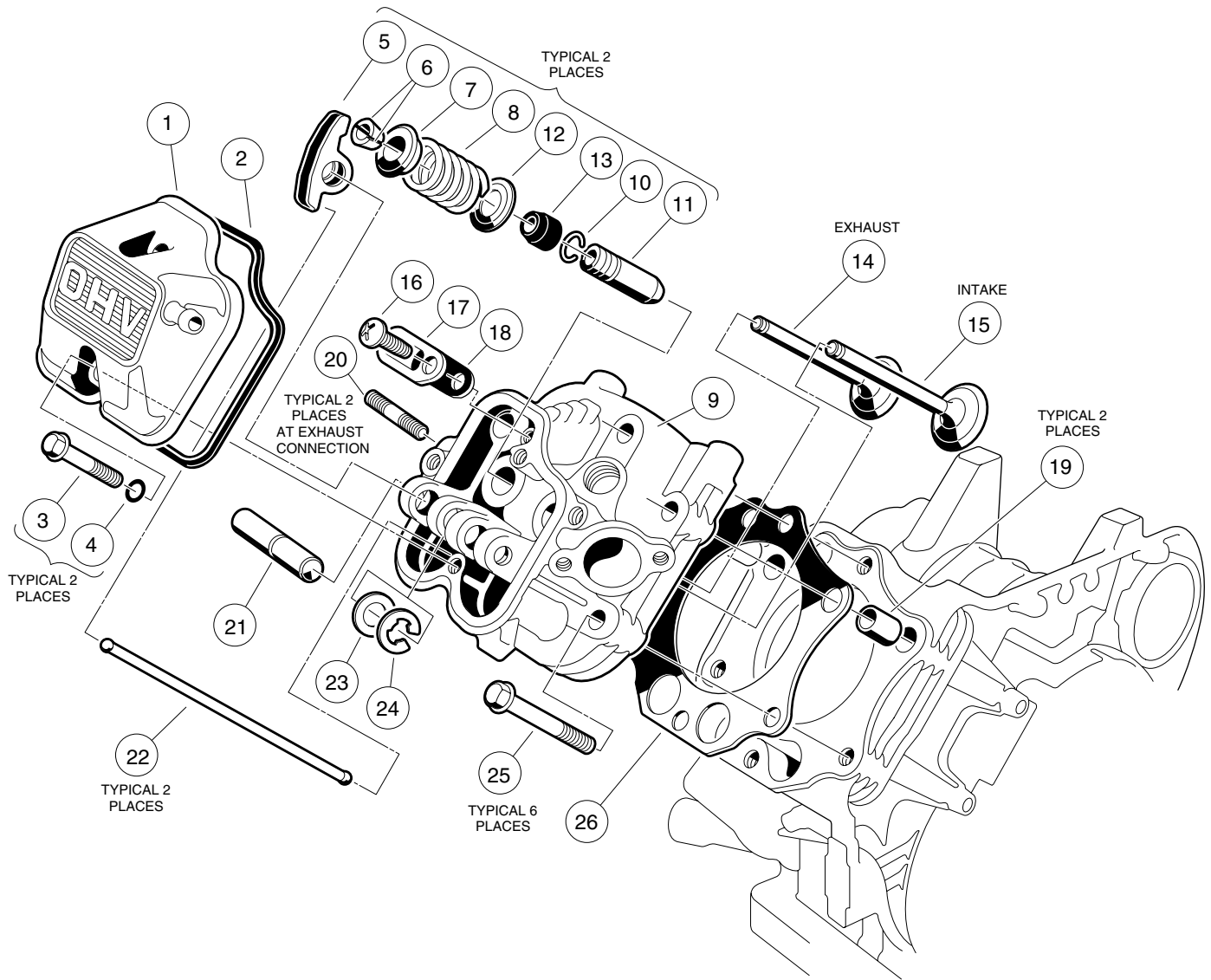
**8**  
**G**



# FE350 ENGINE – OIL CIRCULATION

8  
G

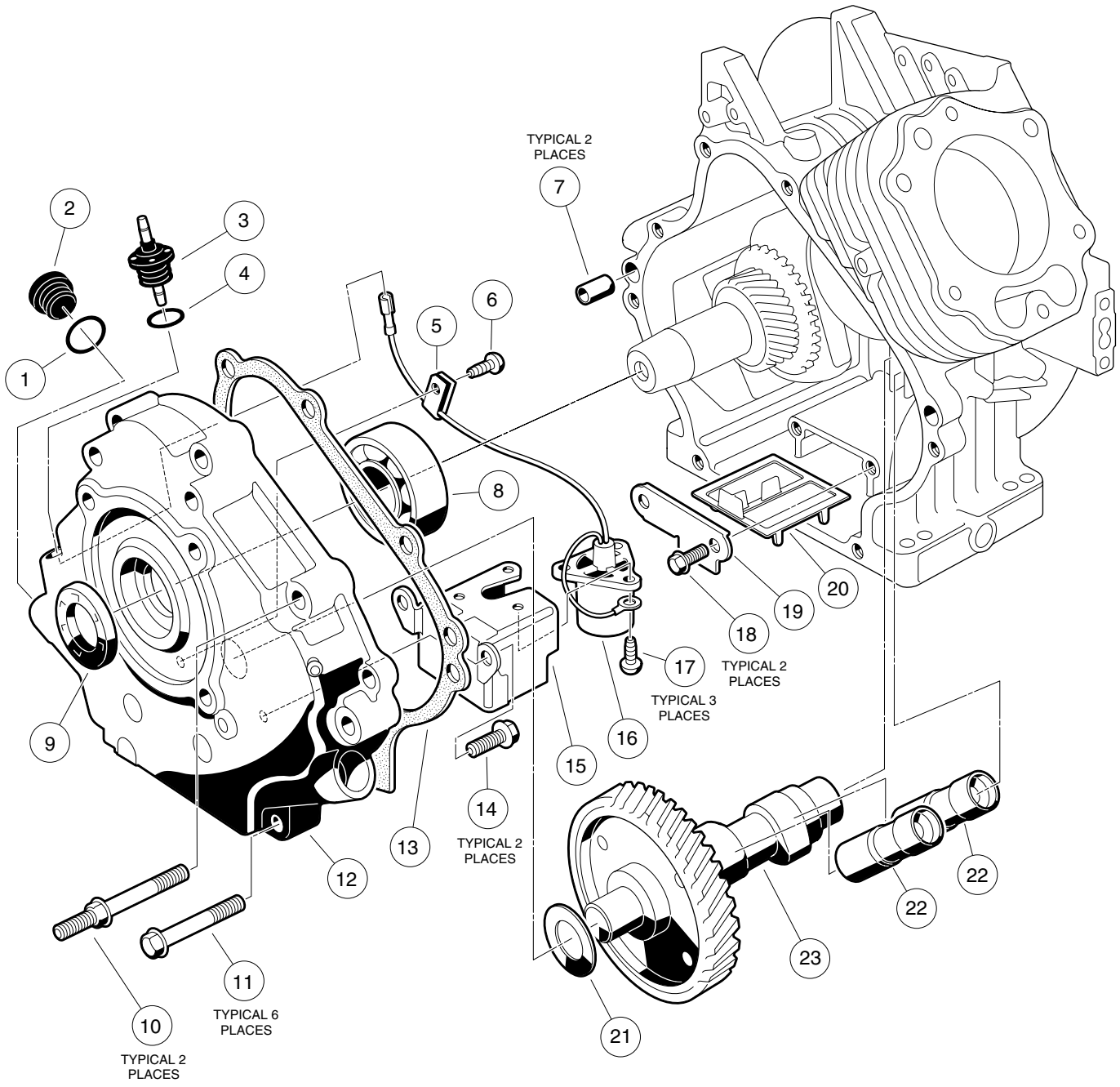
ITEM	PART NO.	DESCRIPTION	QTY
		1 2 3 4	
1	1016467	Oil Filter .....	1
2	1016502	Bracket, Oil Filter .....	1
3	1016457	Bolt, Flanged Hex Head, M6 x 1 x 40 mm .....	2
4	1017507	Plug .....	2
5	1016570	O-ring .....	1
6	1016432	Gasket, Drain Plug .....	1
7	1016576	Plug, Drain .....	1
8	1017456	Screw, Flanged Hex Head, M6 x 1 x 12 mm .....	6
9	1017460	Cover, Pump .....	1
10	1017442	Gasket, Oil Pump .....	1
11	1016473	Plate, Oil Pump .....	1
12	101648203	Pump, Oil and Rotor .....	1
13	1017458	Filter .....	1
14	1016429	Seat, Valve .....	1
15	1016537	Ball, Steel Pressure Relief .....	1
16	1016581	Spring .....	1



# FE350 ENGINE – CYLINDER HEAD

8  
G

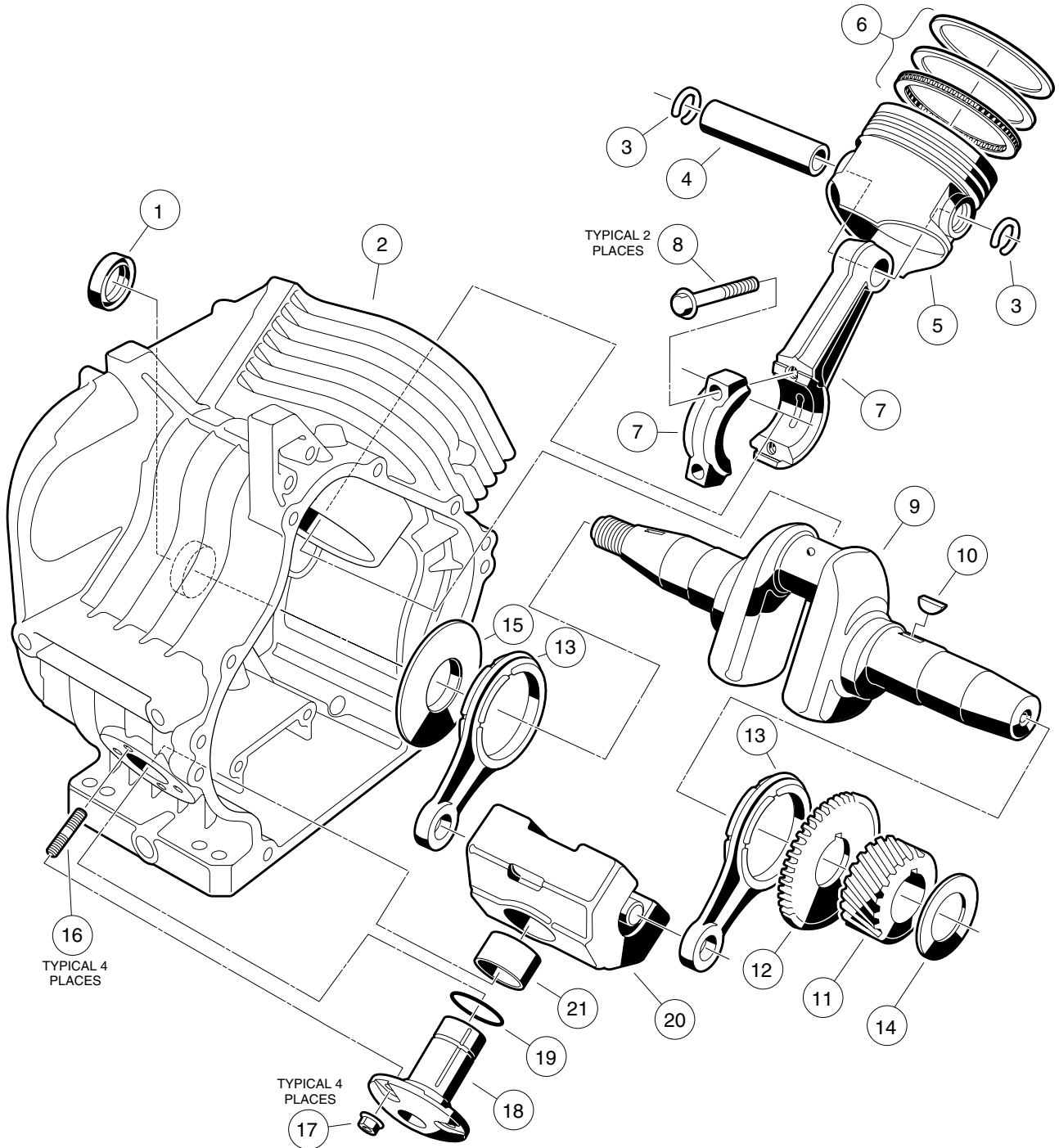
ITEM	PART NO.	DESCRIPTION	QTY
		1 2 3 4	
1	1016442	Case, Rocker .....	1
2	1016436	Gasket, Rocker Case .....	1
3	1016583	Bolt, Flanged, M6 x 1 x 35 mm .....	2
4	1016569	O-ring .....	2
5	1017446	Arm, Rocker .....	2
6	1016450	Collet .....	4
7	1016449	Retainer, Valve Spring .....	2
8	1017473	Spring, Engine Valve .....	2
9	1017435	Assembly, Cylinder Head, FE350 (Includes Items 10 and 11) .....	1
10	1016560	Ring, Snap .....	2
11	1016519	Guide, Valve .....	2
12	1016479	Seat, Spring .....	2
13	1016566	Seal, Valve .....	2
14	1017445	Valve, Exhaust .....	1
15	1017444	Valve, Intake .....	1
16	1016544	Screw, Cross Pan Head Self-tapping, M5 x .8 x 12 mm .....	1
17	1016474	Plate .....	1
18	1016483	Valve .....	1
19	1016563	Pin, Hollow .....	2
20	1016489	Bolt, Stud, M8 x 1.25 x 29 mm .....	2
21	1016452	Shaft, Rocker .....	1
22	1017454	Rod, Push .....	2
23	1016549	Washer, Flat, M12 .....	1
24	1016517	Circlip, Type-E .....	1
25	1016458	Bolt, Flanged, M8 x 1.25 x 45 mm .....	6
26	1017434	Gasket, Head .....	1



# FE350 ENGINE – CRANKCASE, CAMSHAFT AND OIL SENSOR

ITEM	PART NO.	DESCRIPTION	QTY
		1 2 3 4	
1	1016538	O-ring .....	1
2	1017508	Plug .....	1
3	1016535	Connector, Oil Sending Unit .....	1
4	1016538	O-ring .....	1
5	1016506	Clamp .....	1
6	1016544	Screw, Cross Pan Head Self-tapping, M5 x .8 x 12 mm .....	1
7	1016564	Pin, Hollow .....	2
8	1017487	Bearing, Crankshaft .....	1
9	1017504	Seal, Crankshaft .....	1
10	1016584	Bolt, 2-ended Flanged, M8 x 1.25 x 69 mm .....	2
11	1017514	Bolt, Flanged, M8 x 1.25 x 45 mm .....	6
12	1017472	Cover, Crankcase .....	1
13	1017443	Gasket, Crankcase Cover .....	1
14	1017513	Bolt, Flanged, M6 x 1 x 12 mm .....	2
15	1016510	Bracket, Oil Level Switch .....	1
16	1016494	Sensor, Oil Level .....	1
17	1016496	Screw, Cross Pan Head, M4 x .7 x 8 mm .....	3
18	1016454	Bolt, Flanged, M5 x .8 x 8 mm .....	2
19	1016472	Plate, Oil Filter Screen .....	1
20	1016521	Screen, Oil Filter .....	1
21	101751801	Shim, 0.3 mm Thick .....	A/R
21	101751802	Shim, 0.4 mm Thick .....	A/R
21	101751803	Shim, 0.5 mm Thick .....	A/R
22	1017447	Lifter, Hydraulic .....	2
23	101947601	Camshaft (Without Compression Release) (Pedal-start Vehicles) .....	1

**8**  
**G**

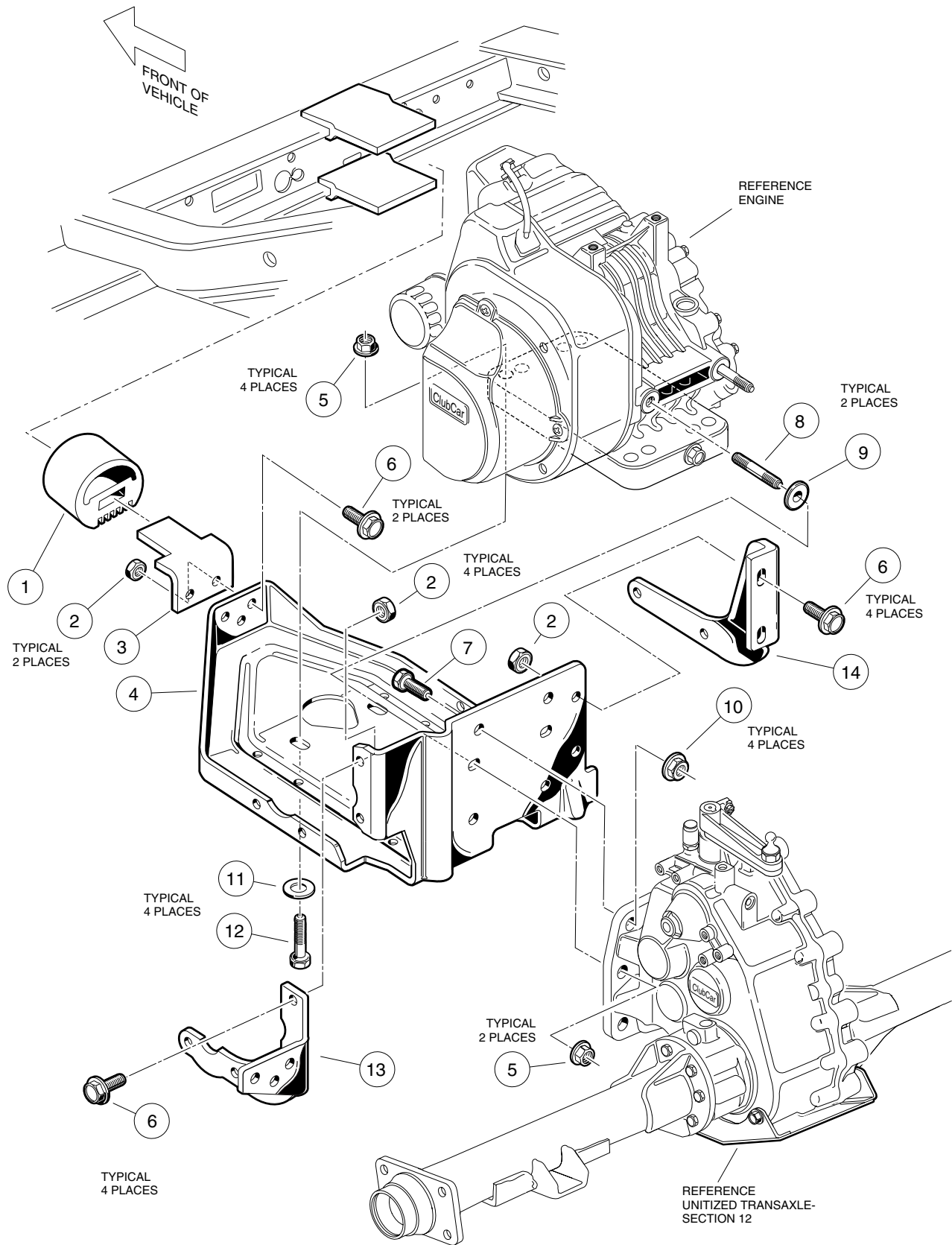




# FE350 ENGINE – CRANKCASE AND CRANKSHAFT

ITEM	PART NO.	DESCRIPTION	QTY
		1 2 3 4	
1	1017503	Seal, Oil .....	1
2	101916001	Crankcase, Complete, FE350 (Clockwise Rotation) .....	1
3	1017502	Ring, Snap .....	2
4	1017450	Pin, Piston .....	1
5	101744901	Piston, Standard .....	1
5	101744902	Piston, .50 mm Oversized .....	1
6	101745101	Ring Set, Piston, Standard .....	1
6	101745102	Ring Set, Piston, .50 mm Oversized .....	1
7	101745701	Assembly, Connecting Rod, Standard (Includes 2 Each of Item 8) .....	1
7	101745702	Assembly, Connecting Rod, .50 mm Undersized (Includes 2 Each of Item 8) .....	1
8	1017512	Bolt, Hex Head, M7 x 1 x 36 mm .....	2
9	101922302	Crankshaft, FE350 (Left-hand Threads) (Includes Items 10 - 12 and One Each of Item 13) .....	1
10	1016562	Key .....	1
11	1017484	Gear, Helical .....	1
12	1017483	Gear, Spur .....	1
13	1017471	Rod, Connecting .....	2
14	101773301	Shim, Crankshaft, 1.18 mm Thick .....	A/R
14	101773302	Shim, Crankshaft, 1.25 mm Thick .....	A/R
14	101773303	Shim, Crankshaft, 1.32 mm Thick .....	A/R
14	101773304	Shim, Crankshaft, 1.39 mm Thick .....	A/R
14	101773305	Shim, Crankshaft, 1.46 mm Thick .....	A/R
14	101773306	Shim, Crankshaft, 1.53 mm Thick .....	A/R
14	101773307	Shim, Crankshaft, 1.60 mm Thick .....	A/R
14	101773308	Shim, Crankshaft, 1.67 mm Thick .....	A/R
14	101773309	Shim, Crankshaft, 1.74 mm Thick .....	A/R
14	101773310	Shim, Crankshaft, 1.11 mm Thick .....	A/R
14	101773311	Shim, Crankshaft, 1.81 mm Thick .....	A/R
15	1017501	Spacer .....	1
16	1016541	Bolt, Stud, M6 x 1 x 22 mm .....	4
17	1016547	Nut, Flanged, M6 x 1 .....	4
18	1016470	Shaft, Guide Counterbalance .....	1
19	1016571	O-ring .....	1
20	1017453	Weight, Counterbalance (Includes Item 21) .....	1
21	1017510	Bearing .....	1





# ENGINE MOUNTING

ITEM	PART NO.	DESCRIPTION	QTY
		1 2 3 4	
1	1012164	Snubber .....	1
2	1013924	Nut, Hex Lock, 5/16-24, UNF .....	10
3	101834601	Bracket, Snubber .....	1
4	101827101	Plate, Mounting .....	1
5	101833001	Nut, Flanged, M8 x 1.25 .....	6
6	101884801	Screw, Hex Washer, 5/16-24 x 7/8 .....	10
7	101833301	Screw, Hex Head Cap, M10 x 1.25 x 30 mm .....	4
8	101833101	Stud, M8 x 1.25 x 50 mm .....	2
9	101832101	Washer, Flat, 5/16 .....	2
10	101832901	Nut, Flanged, M10 x 1.25 .....	4
11	1012571	Washer, Heavy Flat, 5/16 .....	4
12	101855901	Screw, Hex Head Cap, M8 x 1.25 x 43 mm .....	4
13	101832701	Stiffener, Flywheel Side .....	1
14	101832601	Stiffener, PTO Side .....	1





# FUEL, INTAKE, AND GOVERNOR SYSTEMS

---

9

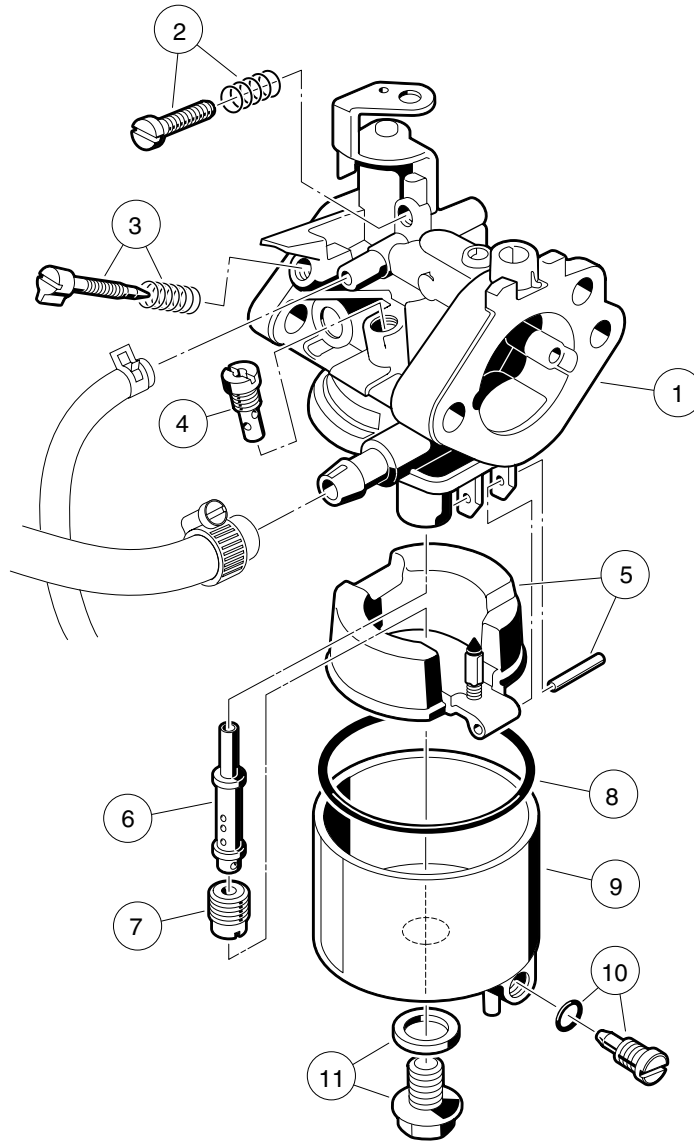
G



# FUEL SYSTEM

**9**  
**G**

ITEM	PART NO.	DESCRIPTION	QTY
		1 2 3 4	
1	1016004	Kit, Fuel Tank, with Sending Unit (Includes Items 2 - 9) .....	1
2	1015188	Cap, Fuel Tank, Nonvented .....	1
3	1015143	Vent, Fuel Tank .....	1
4	1015139	Grommet, Insulation .....	1
5	1015137	Line, Bulk Vent (Available by the Foot) .....	A/R
6	N/A	Wire Assembly, #16 Black .....	1
7	1013746	Clamp, Hose (Gray) .....	2
8	101824401	Barb, Vent .....	1
9	101896901	Valve, Fuel Pickup Tube with Shut-off .....	1
10	1014928	Fuel Strap, Rear .....	1
11	101955301	Fuel Strap, Front .....	1
12	1014116	Nut, U-type Speed, 1/4-20 .....	3
13	8248	Screw, Phillips Truss Head, 1/4-20 x 3/4 .....	1
14	1011988	Screw, Phillips Truss Head, 1/4-20 x 2 .....	2
15	1012649	Clamp, Hose (Red) .....	9
16	1013692	Line, Bulk Fuel .....	A/R
17	102003201	Filter, Fuel .....	2
18	1014523	Pump, Fuel Impulse .....	1
19	1014524	Kit, Rebuild, Fuel Impulse Pump.....	A/R
20	101987701	Clamp, Plastic .....	1
21	1012285	Screw, Thread-rolling, 1/4-20 x 5/8 .....	2
22	1013687	Clamp, Hose .....	1
23	1015137	Line, Bulk Vent (Available by the Foot) .....	A/R
24	1013746	Clamp, Hose (Gray) (Screw Type) .....	1
25	101824401	Barb, Vent .....	1
26	102048501	Boot, Rubber .....	1

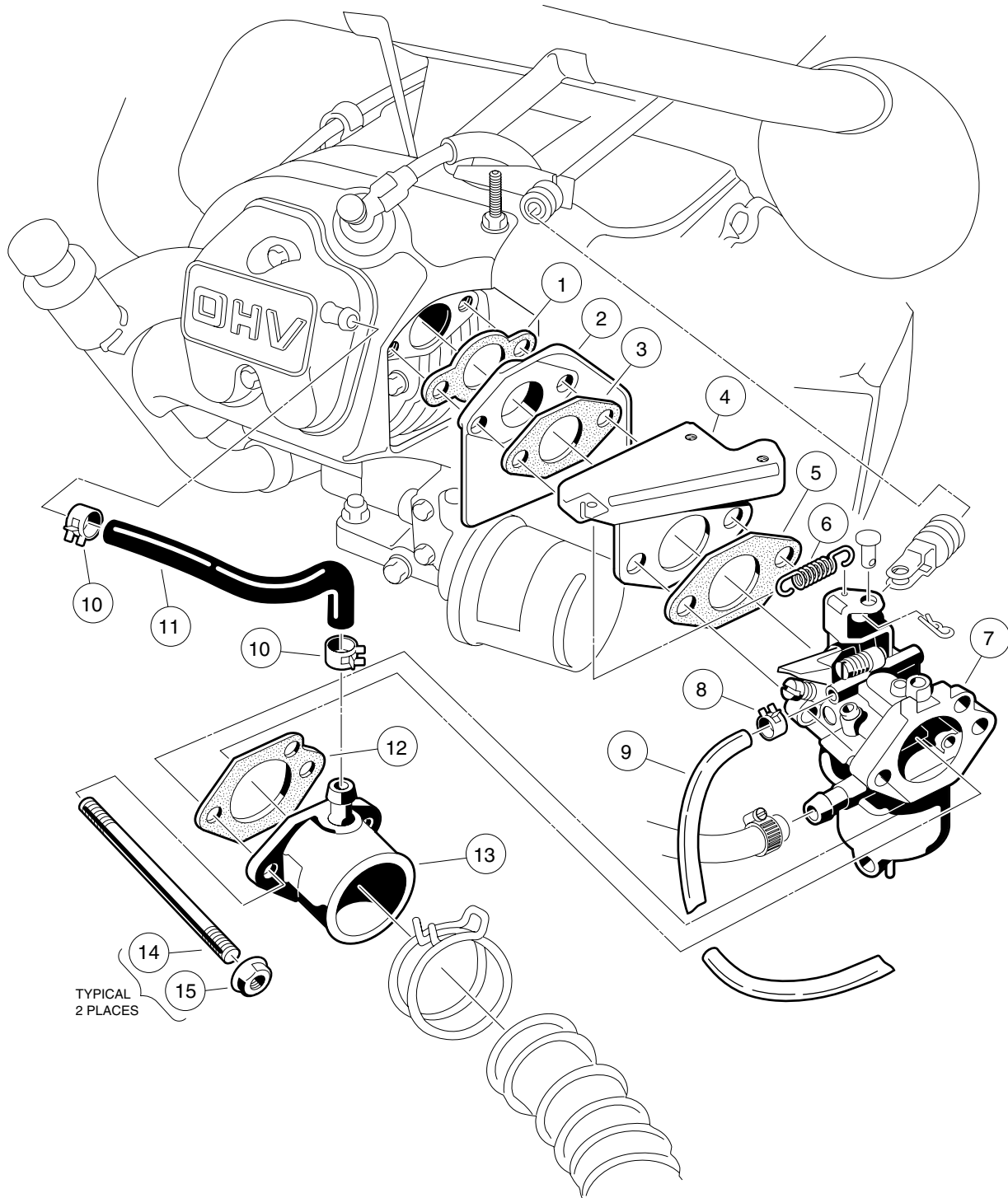




# CARBURETOR ASSEMBLY

ITEM	PART NO.	DESCRIPTION	QTY
		1 2 3 4	
1	101905901	Assembly, Carburetor (Includes Items 2 - 11) .....	1
2	1016501	Assembly, Idle Screw .....	1
3	N/A	Assembly, Pilot Air Screw .....	1
4	101973101	Jet, Pilot, #40 .....	1
5	1016486	Assembly, Float .....	1
6	101973301	Nozzle, Main .....	1
		Standard Jetting:	
7	101642585	Jet, Main, 0 - 3,000 feet .....	1
7	101642582	Jet, Main, 3,000 - 5,000 feet .....	A/R
7	101642580	Jet, Main, 5,000 - 8,000 feet .....	A/R
7	101642578	Jet, Main, 8,000 - 10,000 feet .....	A/R
7	101642575	Jet, Main, 10,000 Feet and Above .....	A/R
8	1016437	Gasket, Float Chamber .....	1
9	1017461	Assembly, Float Chamber (Includes Item 10) .....	1
10	1016499	Assembly, Screw .....	1
11	1016585	Assembly, Bolt .....	1

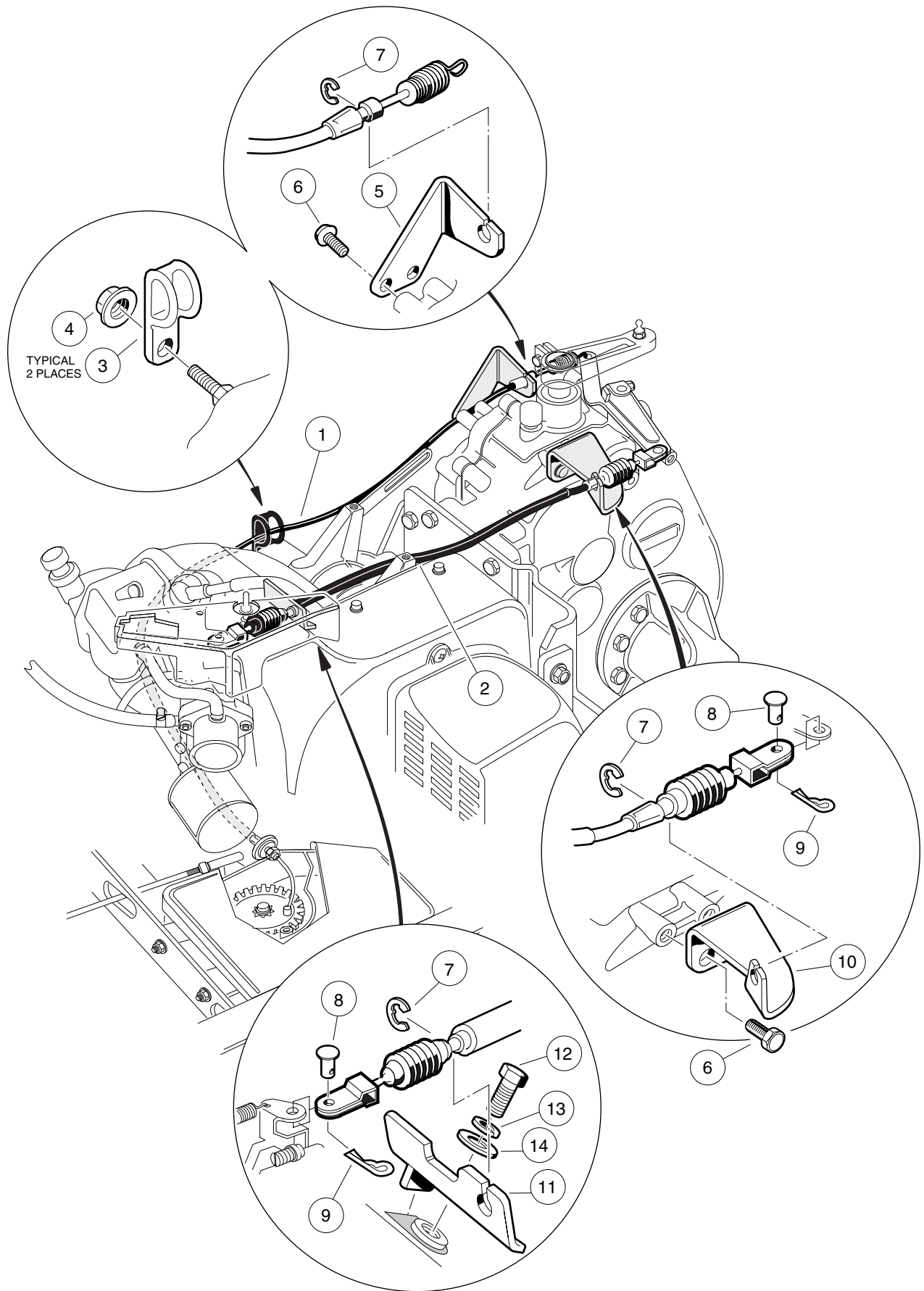




# CARBURETOR INSTALLATION

9  
G

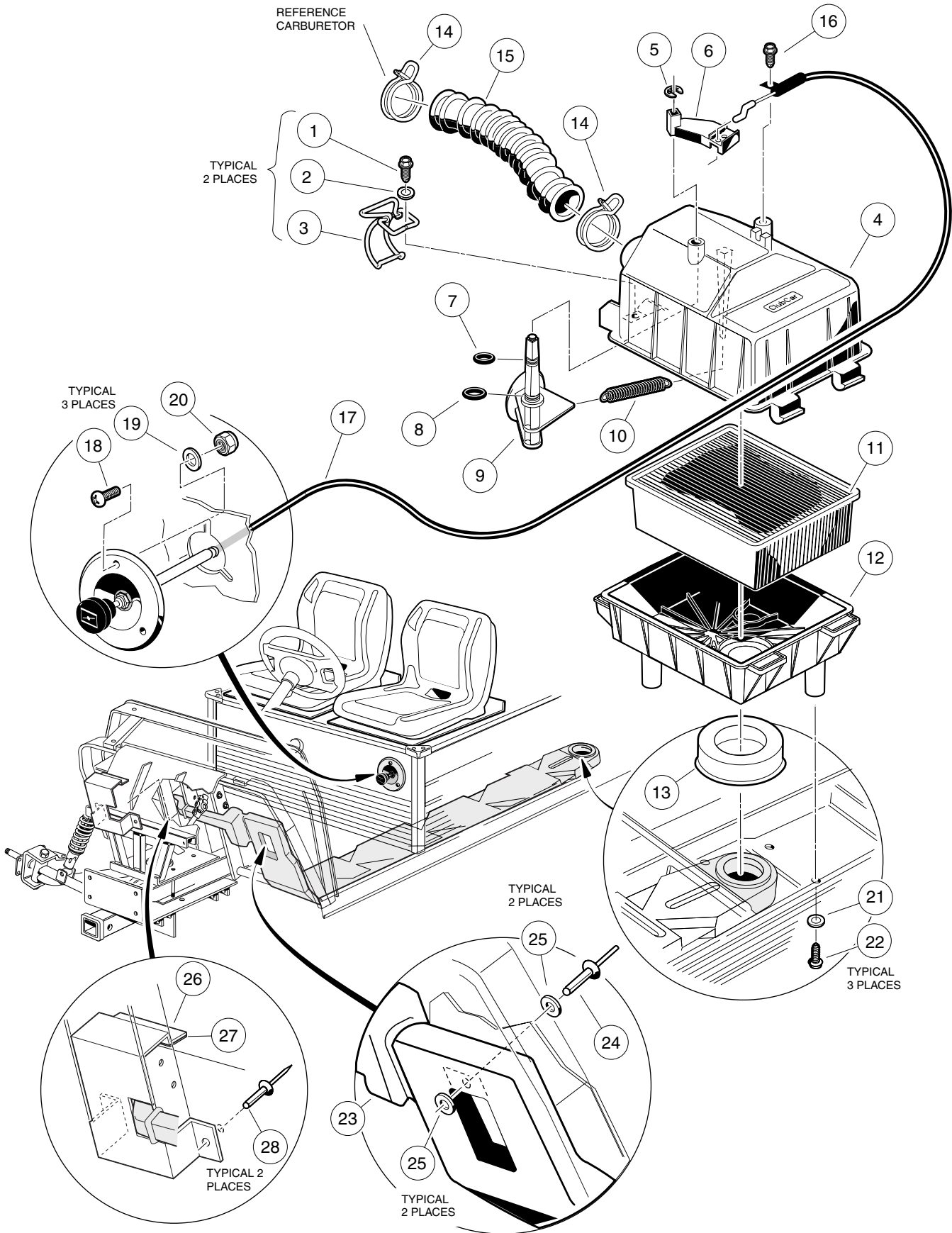
ITEM	PART NO.	DESCRIPTION	QTY
		1 2 3 4	
1	1016440	Gasket, Insulator .....	1
2	101648102	Insulator, Carburetor .....	1
3	101973401	Gasket, Carburetor Insulator to Throttle Bracket .....	1
4	1016444	Bracket, Throttle .....	1
5	1016441	Gasket, Throttle Bracket to Carburetor .....	1
6	1016582	Spring, Throttle Return .....	1
7	101905901	Assembly, Carburetor .....	1
8	1013746	Clamp, Hose (Gray) .....	1
9	1015137	Line, Bulk Vent .....	A/R
10	1017466	Clamp, Hose (Bronze) .....	2
11	1016572	Tube, Crankcase Vent .....	1
12	1016438	Gasket, Carburetor to Intake Manifold .....	1
13	1016480	Pipe, Intake .....	1
14	101649002	Screw, 2-ended Stud, M6 x 1 x 90 mm .....	2
15	1016547	Nut, Flanged, M6 x 1 .....	2



# GOVERNOR AND ACCELERATOR CABLES

ITEM	PART NO.	DESCRIPTION	QTY
		1 2 3 4	
1	101832501	Cable, Accelerator .....	1
2	101832402	Cable, Governor .....	1
3	1013700	Clamp, Cable Retaining .....	2
4	1016546	Nut, Flanged Hex, M8 x 1.25 .....	2
5	101832301	Bracket, Accelerator Support .....	1
6	1012285	Screw, Thread Rolling, 1/4-20 x 5/8 .....	4
7	1016202	E-ring .....	3
8	1015408	Pin, Governor Cable Clevis .....	2
9	1014413	Pin, Hair Spring Cotter, 1/8 I.D. x 5/8 .....	2
10	101832201	Bracket, Support .....	1
11	1015845	Bracket, Governor Cable Engine .....	1
12	101903501	Screw, Hex Head Cap, M8 x 1.25 x 24 mm .....	1
13	7174	Washer, Lock, 5/16 .....	1
14	1011697	Washer, Flat, 5/16 .....	1





# INTAKE DUCT, CHOKE, AND AIR BOX ASSEMBLY

ITEM	PART NO.	DESCRIPTION	QTY
		1 2 3 4	
	101821501	Assembly, Air Box (Includes Items 1 - 13).....	1
1	101804301	Screw, Hi-lo Hex Head, #8 x 1/2 .....	2
2	101881701	Washer, Stainless Steel, #8 .....	2
3	101925701	Latch, Wire .....	2
4	101972801	Assembly, Air Box Top (Includes Items 5 - 10) .....	1
5	101813001	E-clip .....	1
6	101917601	Lever, Choke .....	1
7	N/A	O-ring, 5/16 (Red) .....	1
8	N/A	O-ring, 3/8 (Green) .....	1
9	N/A	Valve, Choke .....	1
10	101812301	Spring, Return .....	1
11	1015426	Filter, Air .....	1
12	101811901	Bottom, Air Box .....	1
13	101921501	Seal, Intake .....	1
14	101971301	Clamp, Hose (Air Intake) .....	2
15	101837101	Hose, Intake .....	1
16	101804301	Screw, Hex Head Hi-lo, #8 x 1/2 .....	1
17	101926801	Cable, Choke .....	1
18	1631	Screw, Pan Head, #10-24 x 3/4 .....	3
19	183	Washer, #10 .....	3
20	1012438	Nut, Nylon Lock, #10-24 .....	3
21	332	Washer, Flat, 1/4 .....	3
22	1015752	Screw, Hi-lo, #12-16 x 5/8 .....	3
23	101958102	Duct, Air .....	1
24	1606	Rivet, Pop, 3/16 .....	2
25	183	Washer, Flat, #10 .....	4
26	102195201	Shield, Air Duct (Includes Item 27) .....	1
27	N/A	Tape, VHB 4950, 4-1/2 inches .....	1
28	7973	Rivet, Pop, 3/16 .....	2
	101971001	Air Duct Repair Kit (Not Shown) .....	A/R





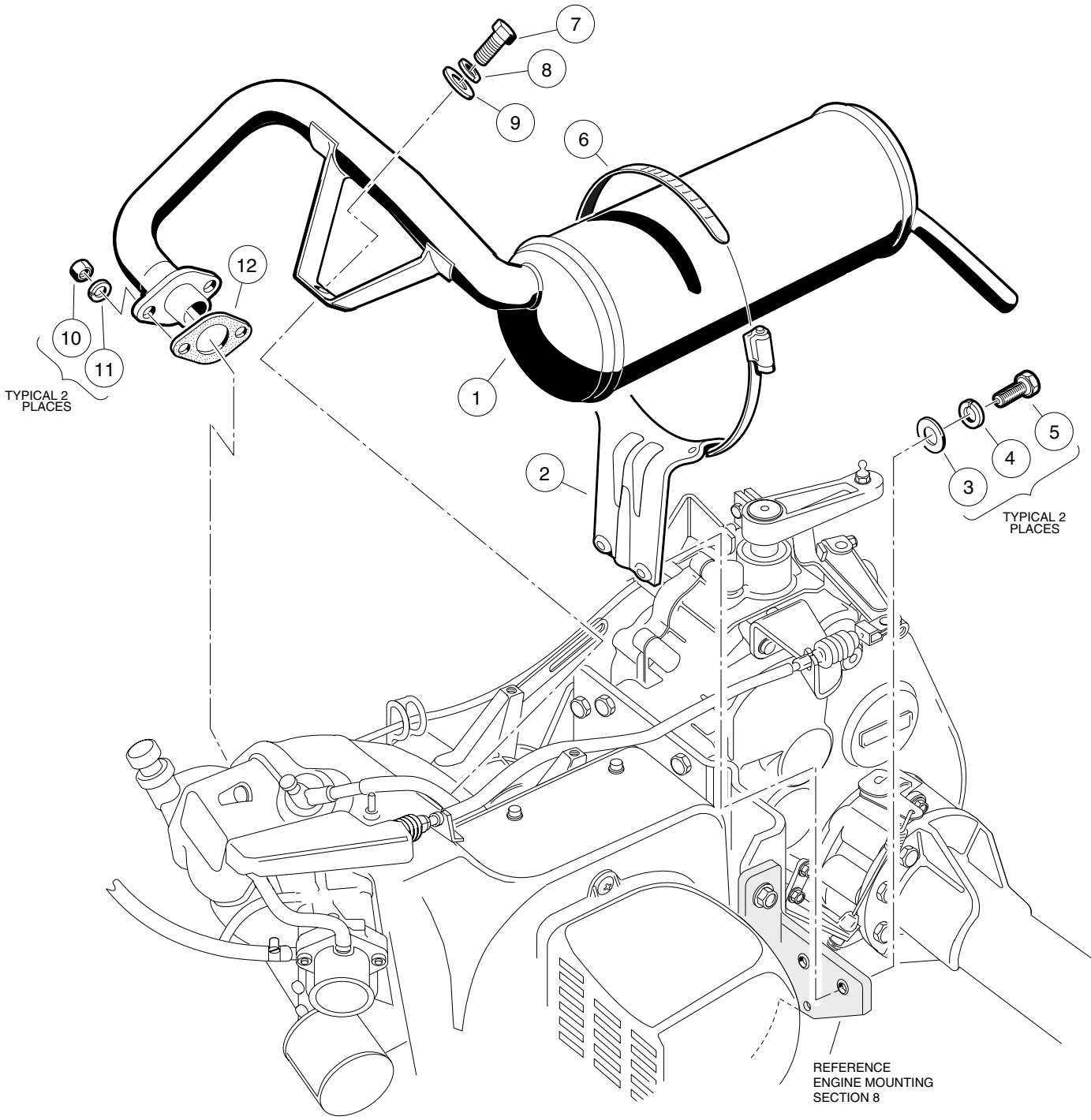


# EXHAUST SYSTEM

---

10

G



# EXHAUST SYSTEM

ITEM	PART NO.	DESCRIPTION	QTY
		1 2 3 4	
1	101859401	System, Exhaust .....	1
2	1015814	Bracket, Muffler Mounting .....	1
3	332	Washer, Flat, 1/4 .....	2
4	451	Washer, Lock, 1/4 .....	2
5	7847	Screw, Hex Head, 1/4-20 x 3/4 .....	2
6	1017689	Clamp, Muffler .....	1
7	1012830	Screw, Hex Head Cap, M8 x 1.25 x 22 mm .....	1
8	7174	Washer, Lock, 5/16 .....	1
9	1015075	Washer, Flat, 5/16 .....	1
10	1012528	Nut, Hex, M8 x 1.25 .....	2
11	1013734	Washer, Lock, 8 mm .....	2
12	1016904	Gasket, Exhaust .....	1

**10**  
**G**

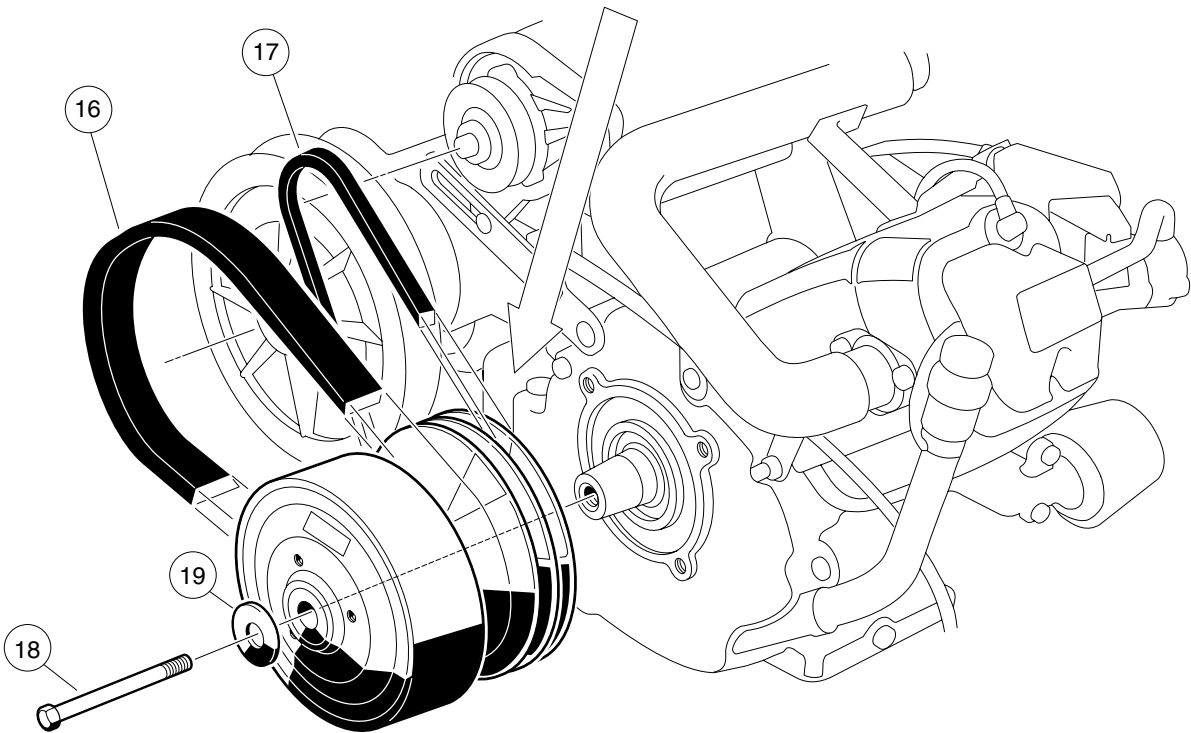
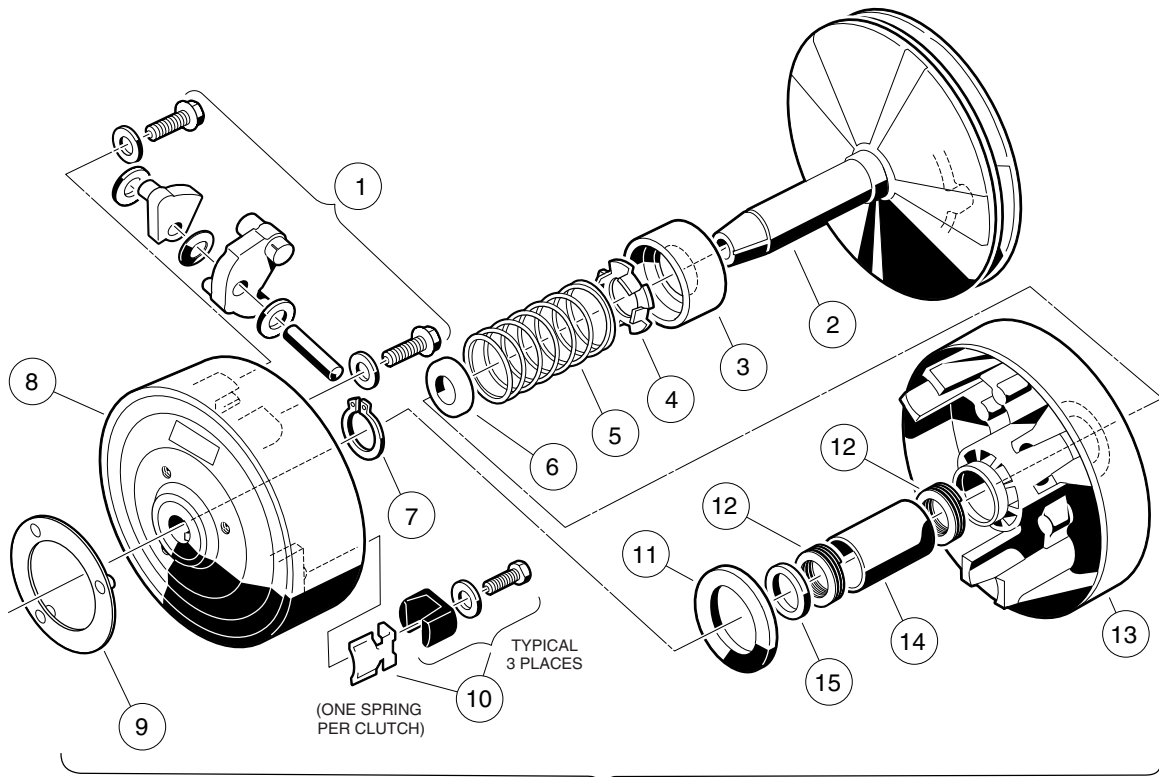


# TORQUE CONVERTER

---

11

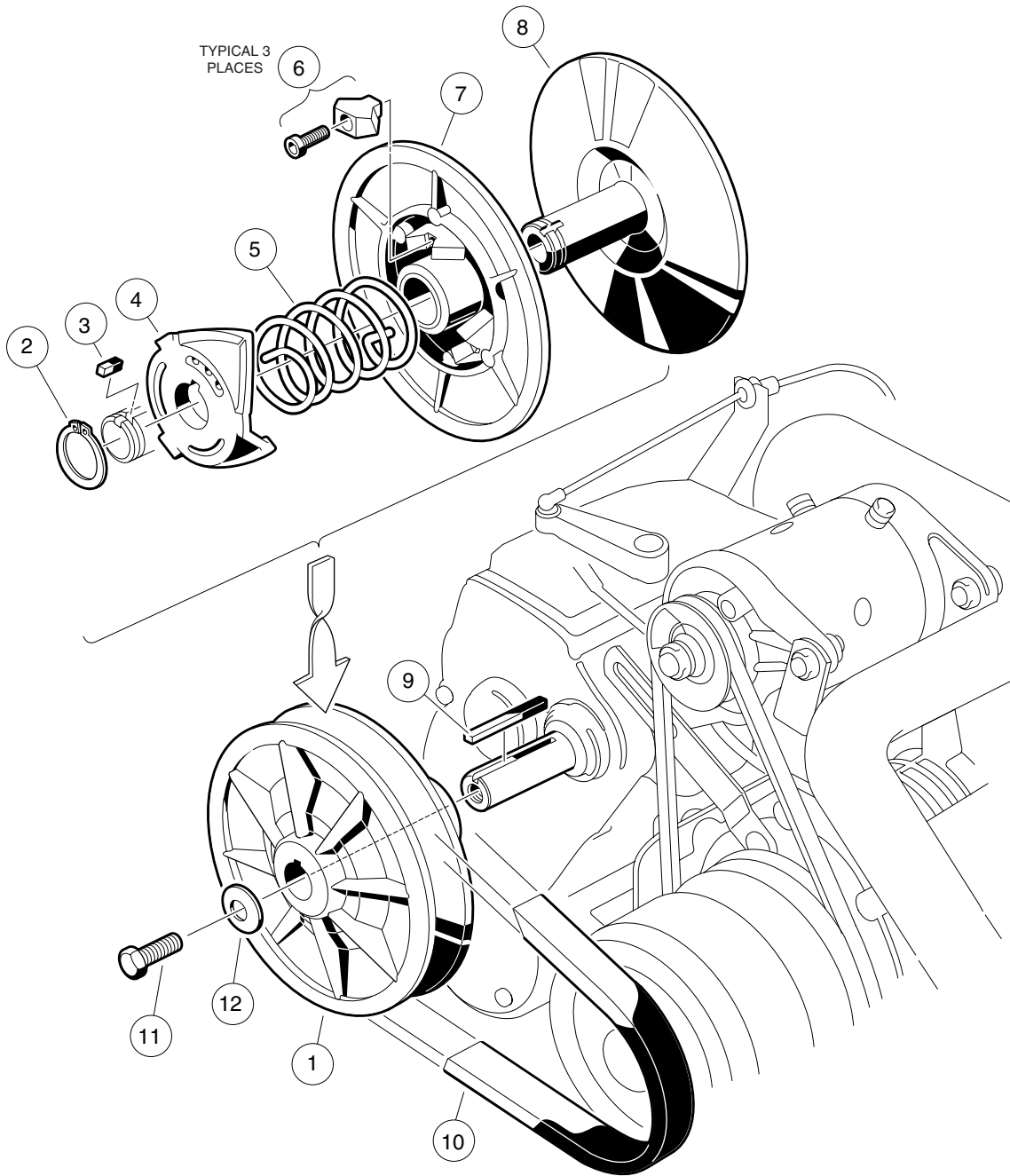
G



# DRIVE CLUTCH

**11**  
**G**

ITEM	PART NO.	DESCRIPTION	QTY
		1 2 3 4	
	101833906	Assembly, Drive Clutch (Includes Items 1 - 15) .....	1
1	1016801	Kit, Drive Clutch Weight .....	1
2	101929801	Assembly, Fixed Face .....	1
3	1014049	Bearing, Idler .....	1
4	1014050	Retainer, Spring .....	1
5	1016901	Spring, Drive Clutch – Green .....	1
6	1016289	Spacer, Fixed Face Shaft .....	1
7	1014057	Ring, Retaining .....	1
8	1014059	Assembly, Drive Hub .....	1
9	101925601	Plug, Drive Clutch .....	1
10	1014453	Kit, Drive Clutch Button (Includes One Spring and Three Each of the Screw, Washer, and Button) .....	1
11	1014058	Washer, Thrust .....	1
12	1014056	Ring, Spiral Back-up .....	2
13	1014052	Assembly, Moveable Face (Includes Items 14 and 15) .....	1
14	N/A	Bushing .....	1
15	1014055	Retainer .....	1
16	102188401	Belt, Drive .....	1
17	101916701	Belt, Starter/Generator .....	1
18	101916501	Screw, Hex Head Cap, 3/8-24 x 5-1/2 (Left-hand Threads) .....	1
19	1017328	Washer, Drive Clutch .....	1





# DRIVEN CLUTCH

ITEM	PART NO.	DESCRIPTION	QTY
		1 2 3 4	
1	101834001	Assembly, Driven Clutch (Includes Items 2 - 8) .....	1
2	1014080	Ring, Retaining .....	1
3	1014078	Key .....	1
4	1017686	Cam .....	1
5	101836201	Spring – Green .....	1
6	1014454	Kit, Driven Clutch Button (Includes 3 Screws and 3 Buttons) .....	1
7	1014072	Assembly, Moveable Face with Bushing .....	1
8	1014070	Face, Fixed .....	1
9	101833401	Key, Square Transmission .....	1
10	102188401	Belt, Drive .....	1
11	7173	Screw, Hex Head Cap, 5/16-18 x 3/4 .....	1
12	1017327	Washer, Driven Clutch .....	1

**11**  
**G**

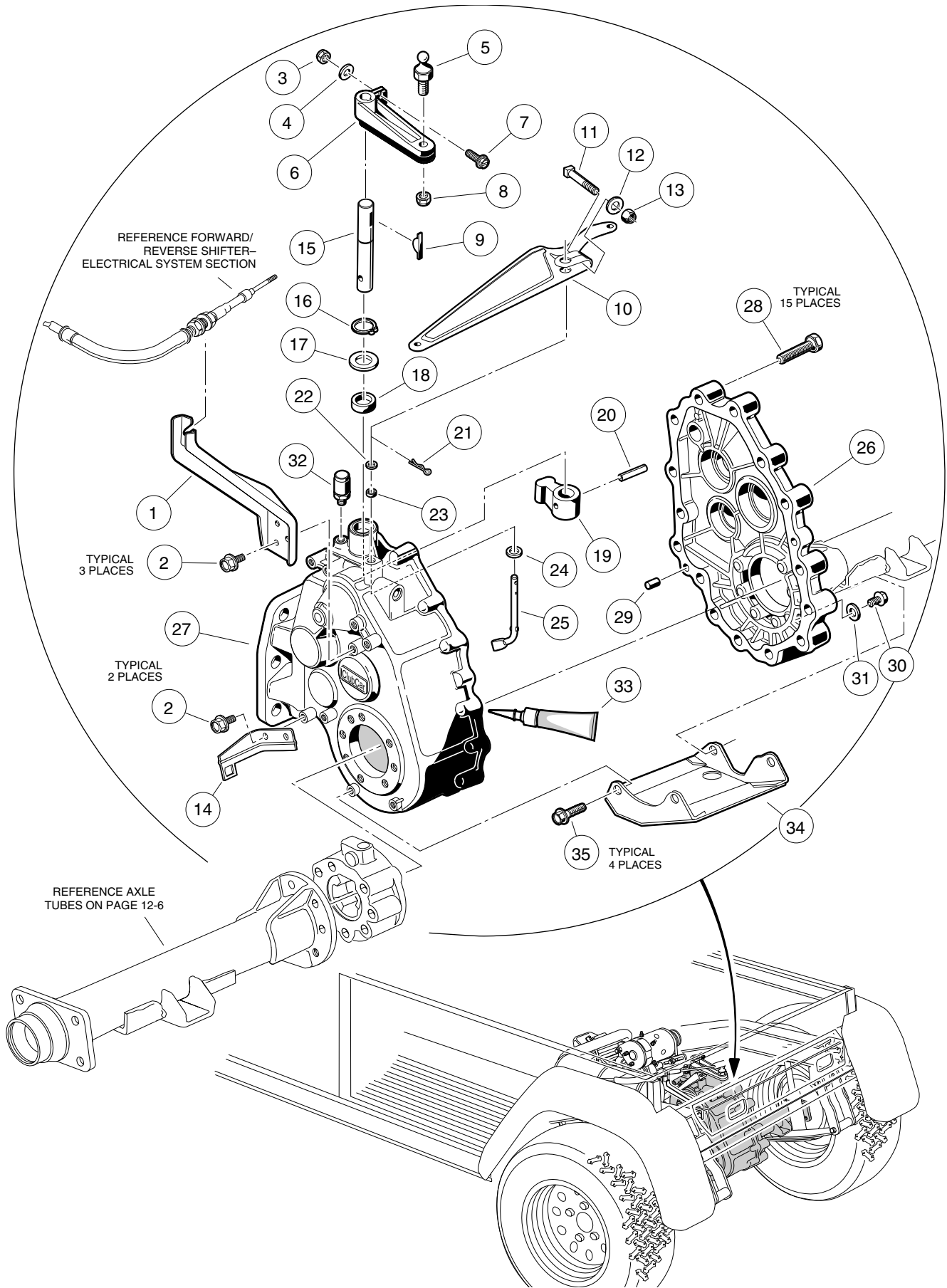


# UNITIZED TRANSAXLE

---

12

G

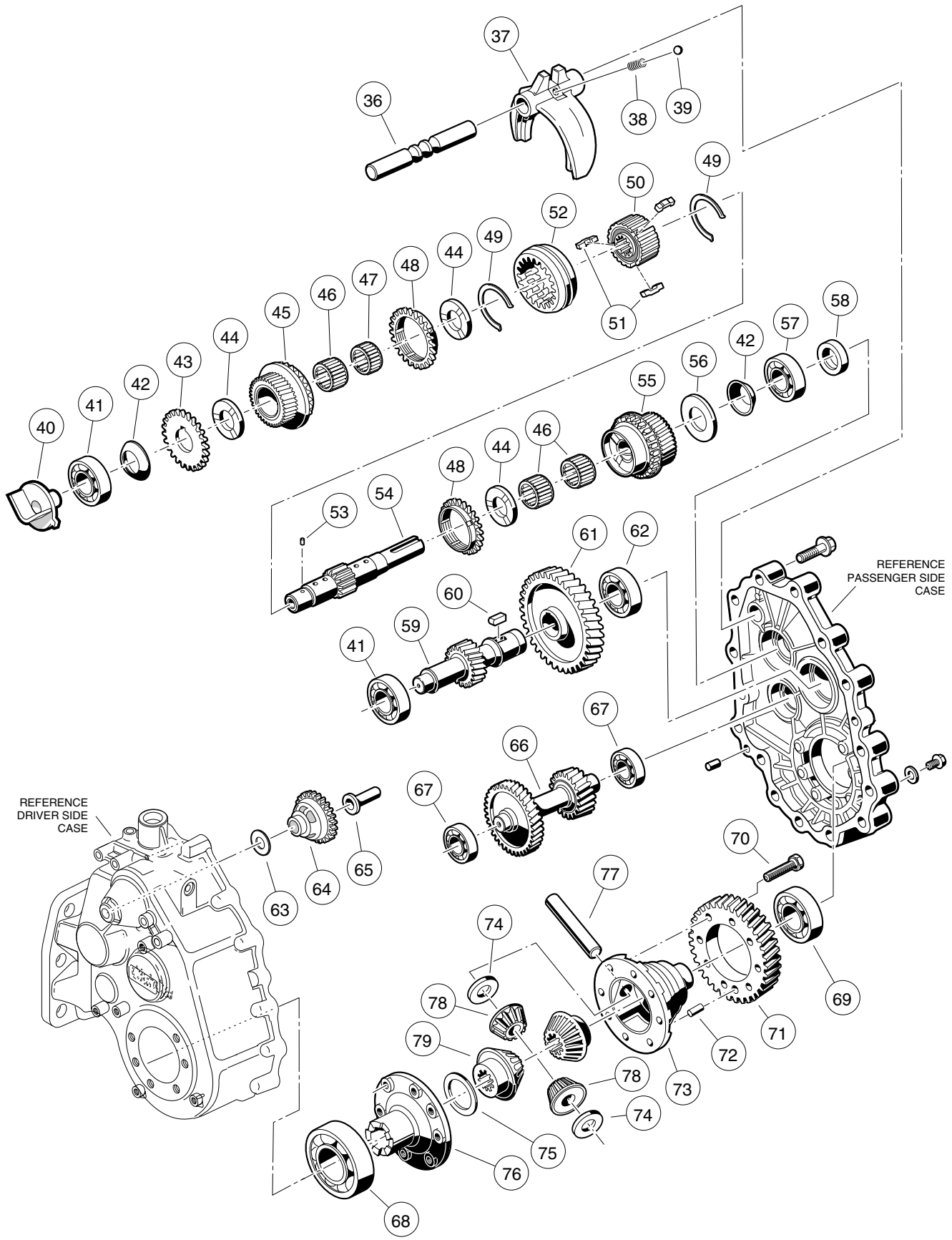


# UNITIZED TRANSAXLE – GEAR CASES, BRACKETS AND GUARD

12

G

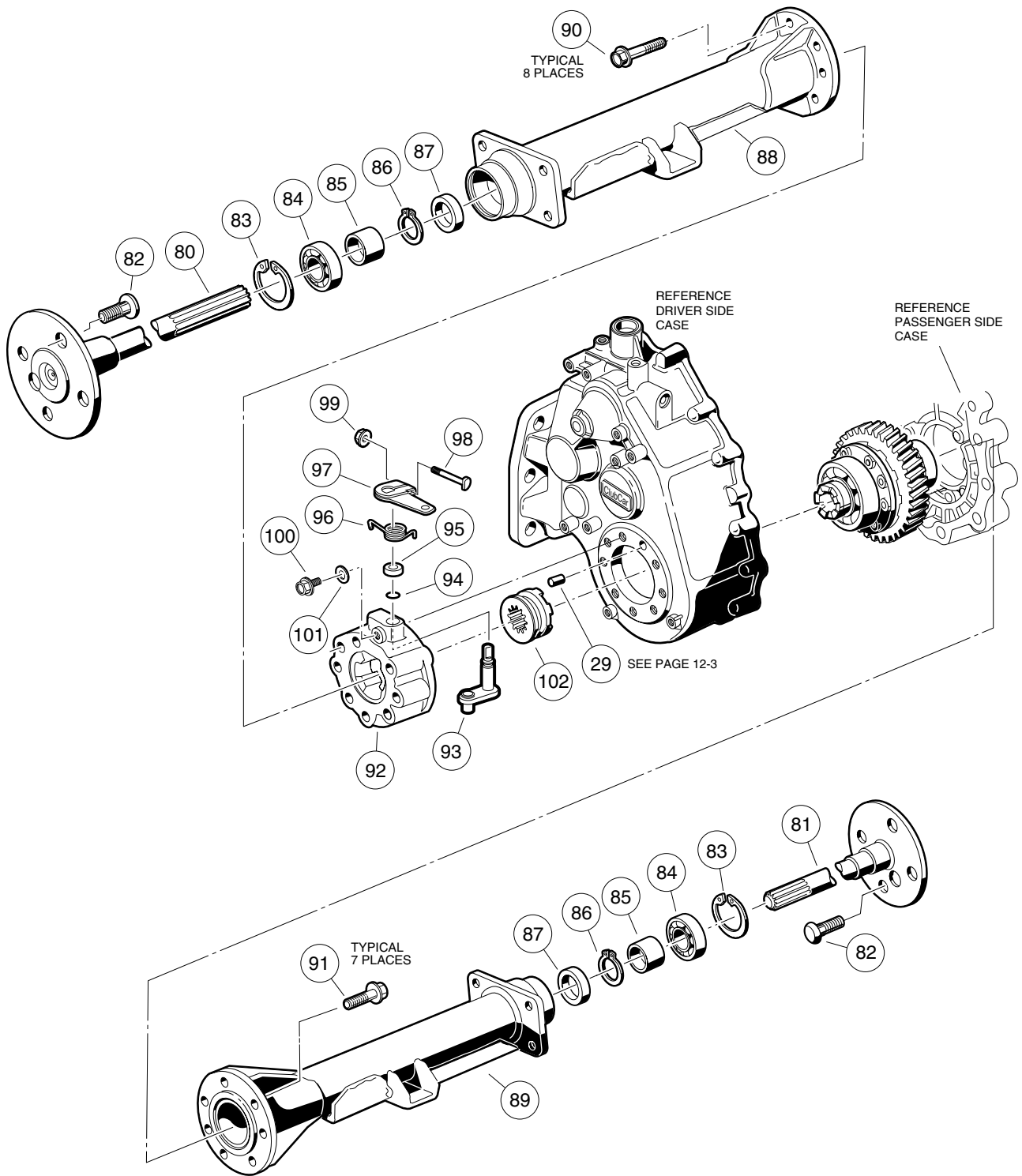
ITEM	PART NO.	DESCRIPTION	QTY
		1 2 3 4	
1	102045901	Bracket, Transmission Cable Support .....	1
2	1012285	Screw, Thread Rolling, 1/4-20 x 5/8 .....	5
3	1013061	Nut, Nylon Lock, #10-32 .....	1
4	183	Washer, Flat, #10 .....	1
5	1010954	Stud, Ball, 1/4-28 x 9/16 .....	1
6	1016341	Lever, Transmission Shifter .....	1
7	1017082	Screw, Hex Washer Head, #10-32 x 3/4 .....	1
8	8717	Nut, Nylon Lock, 1/4-28 .....	1
9	1017231	Key, Woodruff .....	1
10	101834801	Arm, Governor Lever .....	1
11	101886101	Screw, Square Head, 1/4-20 x 1 .....	1
12	1014007	Washer, Type B, 1/4 .....	1
13	8233	Nut, Nylon Lock, 1/4-20 .....	1
14	102018701	Bracket, Differential Lock .....	1
	102018401	Transaxle, Unitized (Includes Items 15 - 102) .....	1
15	101890201	Shaft, Shifter .....	1
16	101927301	Ring, Snap .....	1
17	101892901	Washer, Flat .....	1
18	101927201	Seal, Oil .....	1
19	101890101	Lever, Shifter .....	1
20	1012752	Pin, Roll .....	1
21	101928601	Pin, Cotter .....	1
22	1016513	Washer, Flat .....	1
23	101927101	Seal, Oil .....	1
24	101893801	Washer .....	1
25	101891301	Arm, Pivot .....	1
26	102018501	Gear Case (Passenger Side) .....	1
27	102018601	Gear Case (Driver Side) .....	1
28	101926901	Bolt, Flanged, M8 x 1.25 x 40 mm .....	15
29	1012896	Pin, Dowel (See Also Page 12-6).....	3
30	1013759	Plug, Drain (Includes Item 31) .....	2
31	1016432	Gasket .....	1
32	1012711	Breather .....	1
33	101928701	Gasket, Liquid, 8.8 oz. (250 grams) .....	A/R
34	102031501	Guard, Unitized Transaxle .....	1
35	102031601	Bolt, M8 x 1.25 x 20 mm .....	4



# UNITIZED TRANSAXLE – F&R TRANSMISSION AND GEAR REDUCTION

12  
G

ITEM	PART NO.	DESCRIPTION	QTY
		1 2 3 4	
36	101892001	Rod, Shift .....	1
37	101890001	Fork, Shift .....	1
38	1012748	Spring .....	1
39	1012747	Ball, Steel .....	1
40	101889401	Guide .....	1
41	7336	Bearing, Ball .....	2
42	1016338	Washer, Spring .....	2
43	101892401	Gear, Spur .....	1
44	101892201	Plate, Thrust .....	3
45	102018801	Gear, Input, 28 Tooth (16°) .....	1
46	101927601	Bearing, Needle .....	3
47	101927501	Bearing, Needle .....	1
48	101981001	Ring, Synchronizer (16°) .....	2
49	1012741	Spring, Synchronizer .....	2
50	101928001	Hub, Synchronizer Clutch .....	1
51	1012740	Insert, Synchronizer .....	3
52	101927901	Sleeve, Synchronizer .....	1
53	101927701	Pin, Dowel .....	1
54	101889901	Shaft, Input .....	1
55	101980801	Gear, Input, 25 Tooth (16°) .....	1
56	1016337	Washer, Thrust .....	1
57	101927801	Bearing, Ball .....	1
58	1012714	Seal, Oil, Input Shaft .....	1
59	102100701	Gear, 17 Tooth .....	1
60	101893201	Key .....	1
61	102018901	Gear, 70 Tooth .....	1
62	101928101	Bearing, Ball .....	1
63	101893901	Washer.....	1
64	101892301	Governor .....	1
65	101891601	Sleeve .....	1
66	102019001	Gear, Cluster Idler .....	1
67	7335	Bearing, Ball .....	2
68	102003201	Bearing, Inner Axle Tube, Driver Side .....	1
69	7330	Bearing, Inner Axle Tube, Passenger Side .....	1
70	102100801	Bolt, M8 x 1.25 x 37 mm .....	8
71	102019701	Gear, 91 Tooth, Output .....	1
72	102031701	Pin, Dowel .....	1
73	102031801	Case, Gear Carrier .....	1
74	1013774	Plate, Thrust (Idler Gear) .....	2
75	1013773	Plate, Thrust (Differential Gear) .....	1
76	102019901	Cover, Gear Case .....	1
77	1013772	Pin, Differential .....	1
78	1013770	Gear, Differential Idler .....	2
79	1013771	Gear, Differential .....	2

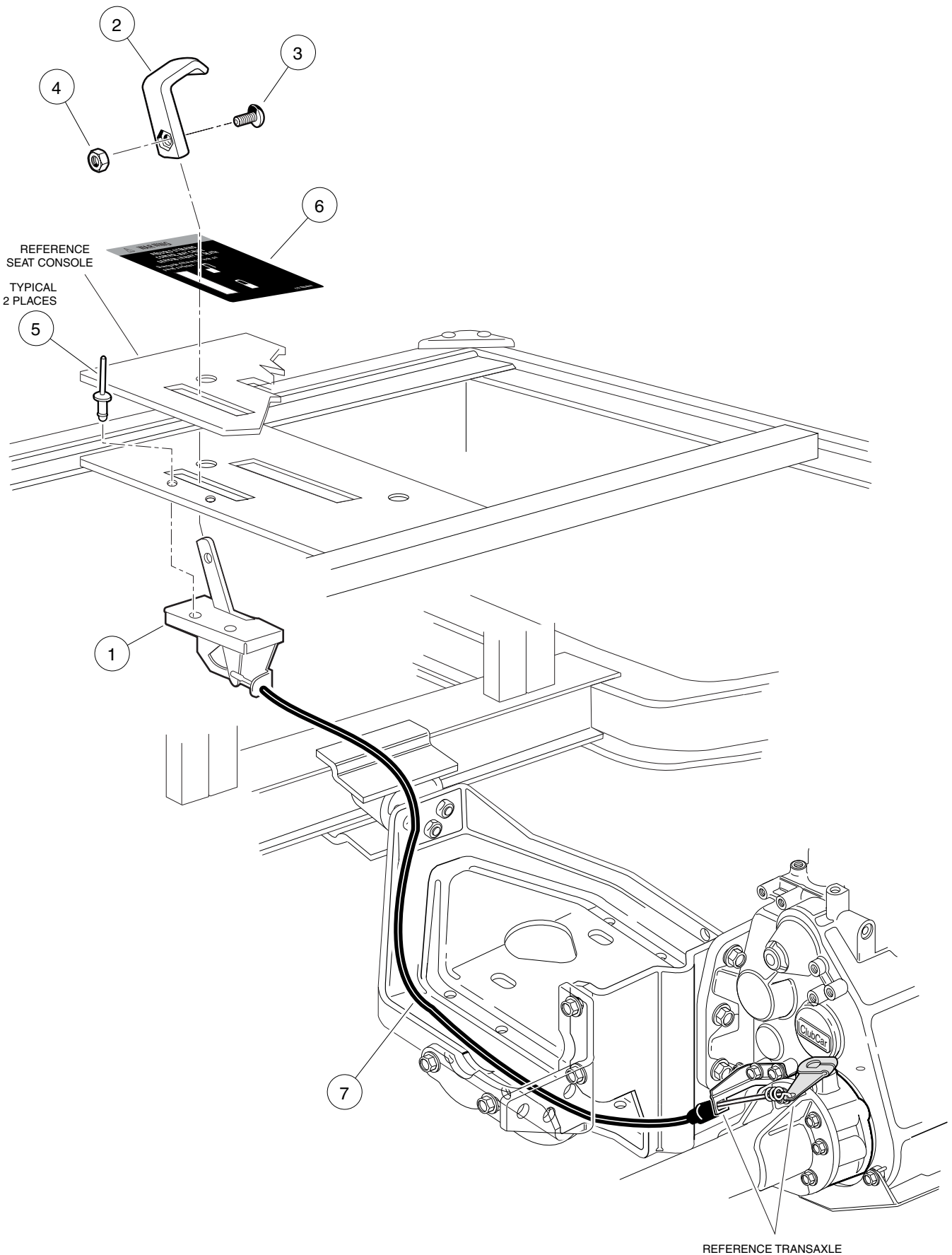




# UNITIZED TRANSAXLE – DIFFERENTIAL LOCK AND AXLES

ITEM	PART NO.	DESCRIPTION	QTY
		1 2 3 4	
80	102019101	Assembly, Axle, Driver Side (Includes Items 82 - 86) .....	1
81	102019201	Assembly, Axle, Passenger Side (Includes Items 82 - 86) .....	1
82	1013787	Stud, Lug .....	4
83	1013792	Ring, Retaining .....	1
84	1011291	Bearing, Outer Axle Tube .....	1
85	1014207	Collar, 25 mm I.D. ....	1
86	1016672	Ring, Retaining .....	1
87	1013794	Seal, Oil .....	2
88	102019401	Assembly, Axle Tube, Driver Side .....	1
89	102019501	Assembly, Axle Tube, Passenger Side .....	1
90	102019601	Bolt, M10 x 1.5 x 70 mm .....	8
91	102031901	Bolt, M10 x 1.5 x 30 mm .....	7
92	102020101	Housing, Differential Lock .....	1
93	102020201	Lever, Differential Lock .....	1
94	102020301	O-ring, Differential Lock .....	1
95	102020401	Spacer, Differential Lock .....	1
96	102020501	Spring, Differential Lock .....	1
97	102020901	Arm, Differential Lock Lever .....	1
98	1016686	Bolt, Differential Lock Pinch .....	1
99	1016547	Nut, Flange, M6 x 1 .....	1
100	102022301	Screw, M6 x 1 x 10 mm .....	1
101	102022401	Washer, M6 .....	1
102	102020001	Cog, Differential Lock .....	1

12  
G



# UNITIZED TRANSAXLE – DIFFERENTIAL LOCK CABLE ASSEMBLY AND SHIFTER

ITEM	PART NO.	DESCRIPTION	QTY
		1 2 3 4	
1	102025101	Control, Differential Lock .....	1
2	102022201	Handle, Differential Lock .....	1
3	1011017	Bolt, Hex Washer Head, #8-32 x 3/8 .....	1
4	1011571	Nut, Hex, #8-32 .....	1
5	101880901	Rivet, Pop .....	2
6	102046601	Decal, Differential Lock Control Warning .....	1
7	102031201	Cable, Differential Lock .....	1

12  
G



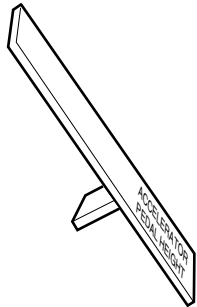
# MAINTENANCE AND SERVICE TOOLS

---

13

G

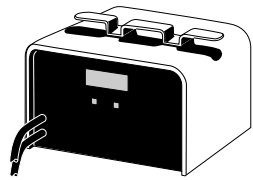
**13**  
**G**



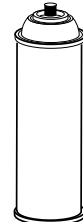
1



2



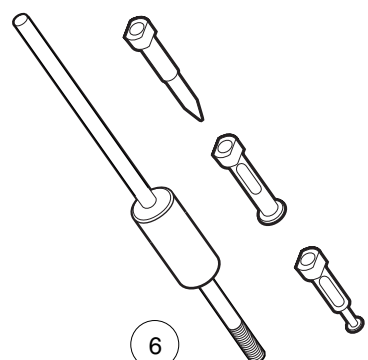
3



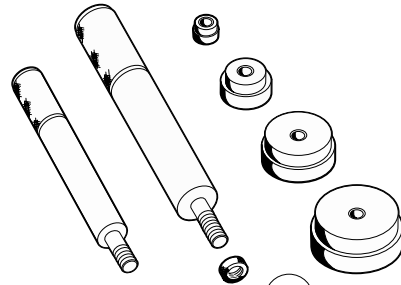
4



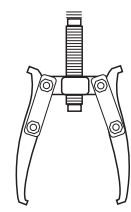
5



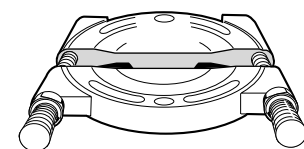
6



7



8



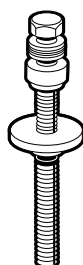
9



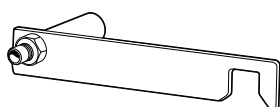
10



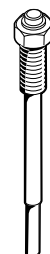
11



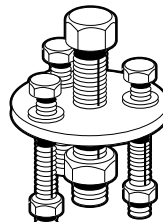
12



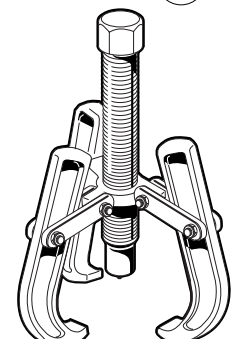
13



14



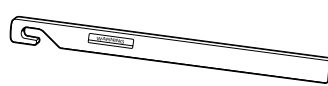
15



16



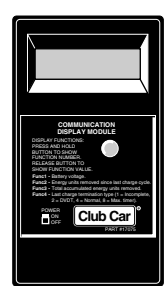
17



18



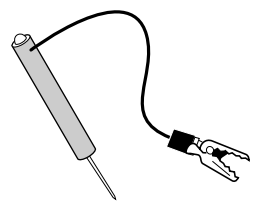
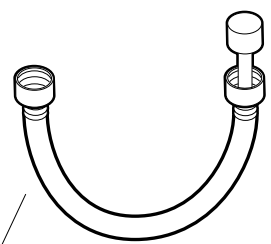
19



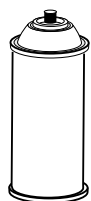
20



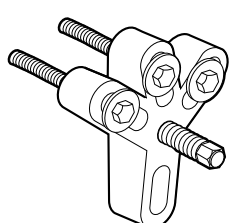
21



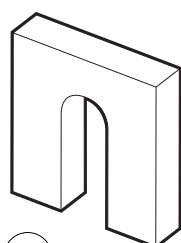
22



23



24



25

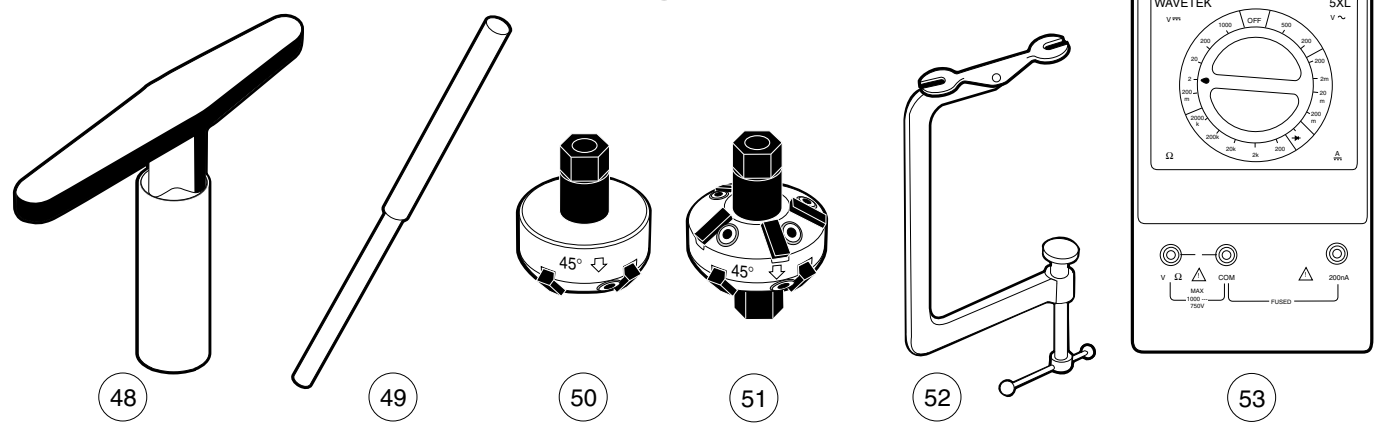
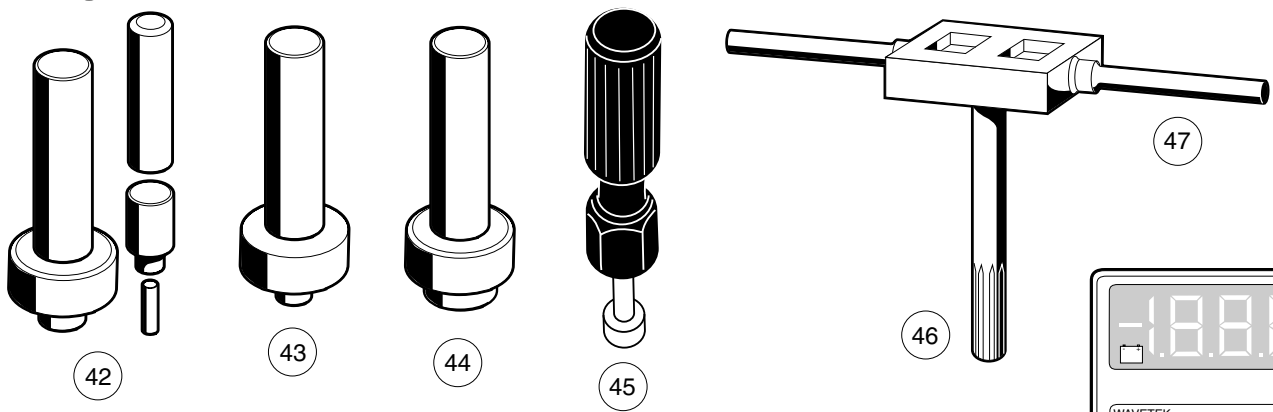
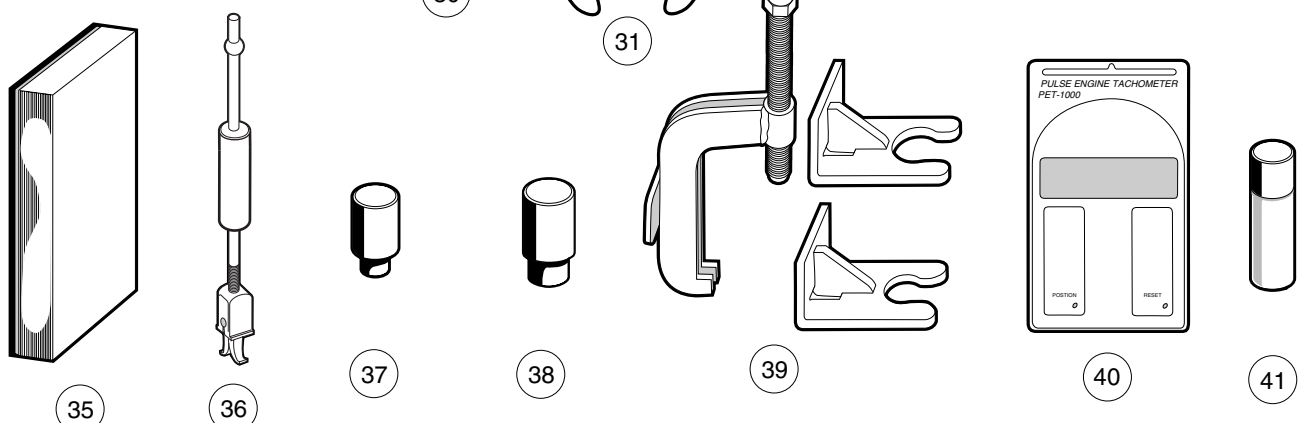
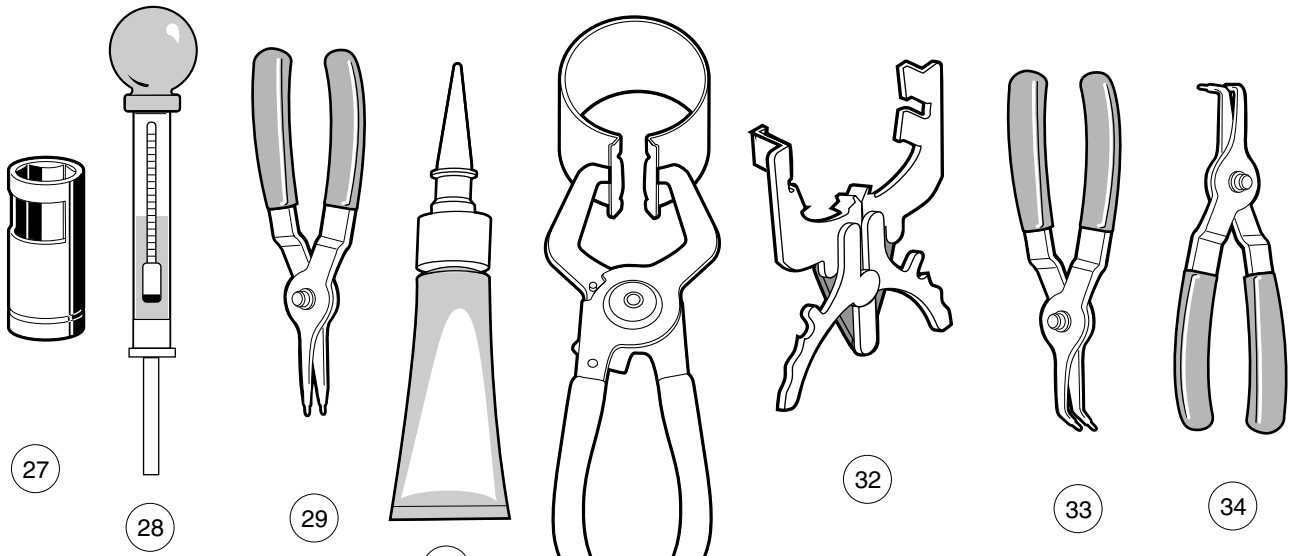


26

# MAINTENANCE AND SERVICE TOOLS

ITEM	PART NO.	DESCRIPTION	QTY GAS	QTY ELEC
		1 2 3 4  The following tool list includes all tools available from Club Car for maintenance and service procedures for gasoline and/or electric vehicles, both past and present models. Be sure to carefully examine the tool list for applicability to your vehicle before ordering.		
1	101871001	Accelerator Pedal Adjustment Tool .....	1	1
2	101813202	Adhesive, Guide Ring, 3-gram Tube .....	1	1
3	101831901	Battery Discharge Machine, 36/48 Volt .....		1
4	1014305	Battery Terminal Protector Spray .....	1	1
5	1011767	Battery Thermometer .....		1
6	1016417	Bearing and Oil Seal Remover Assembly .....	1	1
7	1016416	Bearing Driver Set .....	1	1
8	1012811	Bearing Puller .....	1	1
9	1012812	Bearing Puller Wedge Attachment .....	1	1
10	1013582	Brake Adjustment Tool (Used Only on Vehicles with Manually Adjusted Mechanical Brakes) .....	1	1
11	101887101	Calibration Test Module .....		1
12	101808401	Cam Installation Tool .....	1	
	1014510	Clutch Tool Kit (Includes Items 13 - 19) .....	1	
13	1014498	Clutch Alignment Tool (For Pre-unitized Transaxle Vehicles Built prior to 1997 Model Year) .....	1	
14	1014496	Drive Clutch Puller .....	1	
15	1014497	Drive Clutch Hub Puller .....	1	
16	1014508	Driven Clutch Cam Puller .....	1	
17	1014507	Driven Clutch Puller Plug .....	1	
18	1015524	Drive Clutch Holder Tool Assembly .....	1	
19	101809101	Press Weldment .....	1	
20	101831801	Communication Display Module .....		1
21	101641002	Compression Gauge And Adapter .....	1	
22	1011273	Continuity Tester .....	1	1
23	1012151	Dry Moly Lubricant .....	1	1
24	1016627	Fly Wheel Puller Kit .....	1	
25	1016418	Gear Yoke .....	1	1
26	101933101	Governor Shaft Installation Tool .....	1	
		Please refer to the maintenance and service manual for proper tool application.		

13  
G  
E





# MAINTENANCE AND SERVICE TOOLS, CONTINUED

ITEM	PART NO.	DESCRIPTION	QTY GAS	QTY ELEC
		1 2 3 4		
27	102169401	Hydraulic Brake Adjuster (For Vehicles Equipped with Hydraulic Brakes) .....	1	
28	1011478	Hydrometer .....	1	1
29	1013593	Internal Retaining Ring Pliers .....	1	1
30	101928701	Liquid Gasket (Transaxle Case) .....	1	1
31	1016414	Piston Ring Compressor Kit .....	1	
32	1016415	Piston Ring Pliers .....	1	
33	1012549	Retaining Ring Pliers, 45° External .....	1	1
34	1012560	Retaining Ring Pliers, 90° Internal .....	1	1
35	101823101	Safety First Card (50 per pack) .....	1	1
36	1012809	Seal Puller .....	1	1
37	1014264	Steering Column Bearing Press Tool .....	1	1
38	1014259	Steering Column Retaining Ring Tool .....	1	1
39	102061201	Steering Wheel Puller Tool .....	1	1
40	1016112	Tachometer .....	1	
41	101997201	Paint, Touch-up – Beige .....	1	1
41	101997202	Paint, Touch-up – White .....	1	1
41	101997204	Paint, Touch-up – Gray .....	1	1
41	101997209	Paint, Touch-up – Dark Green .....	1	1
41	101997211	Paint, Touch-up – Classic Blue .....	1	1
41	101997212	Paint, Touch-up – Burgundy .....	1	1
42	1014115	Transmission Tool Kit .....	1	
43	1014161	Transaxle Pinion Seal Tool .....	1	
44	1014162	Transaxle Axle Seal Tool .....	1	
45	1016413	Valve Clearance Adjuster Screw Holder (For Vehicles with FE290 Engines Only) .....	1	
46	101641201	Valve Guide Reamer .....	1	
47	101641202	Arbor .....	1	
48	1016551	Valve Seat Cutter T-wrench .....	1	
49	1016552	Valve Seat Cutter Guide .....	1	
50	1016553	Valve Seat Cutter, 45° (32 mm Diameter) (For FE290 Engines Only) .....	1	
51	1016554	Valve Seat Cutter, 45°/30° (35 mm Diameter) .....	1	
52	101641101	Valve Spring Compressor .....	1	
53	1011480	Volt Ohm Meter .....	1	1
54	101611003	Tune-up Kit, All OHV (Includes Air Filter, Spark Plug, Oil Filter, Fuel Filters) (Not Shown) .....	1	
		Please refer to the maintenance and service manual for proper tool application.		

13  
G  
E



# INDEX

## Part Number and Page

183	1-3, 7-9, 9-11, 12-3	1010145	6-9	1012741	12-5
304	1-11	1010150	6-7	1012747	12-5
320	6-3	1010434	1-13	1012748	12-5
332	1-3, 1-5, 1-7, 1-13, 5-5, 9-11, 10-3	1010435	1-9	1012752	12-3
334	1-7, 4-11, 5-5, 6-3, 6-5	1010545	1-3	1012809	13-5
357	1-11	1010829	4-5, 4-11	1012811	13-3
403	1-9	1010878	1-7, 5-3	1012812	13-3
451	1-5, 10-3	1010909	7-9	1012830	1-5, 7-15, 10-3
705	1-9, 1-11, 4-11, 7-15	1010921	1-3, 5-3	1012896	12-3
706	1-11	1010934	1-11, 1-13, 4-7, 6-7, 7-17	1012981	8-5
808	6-9	1010954	7-5, 7-7, 12-3	1012986	7-11
1016	7-9	1010984	2-3, 4-3, 4-5, 6-7	1012987	7-5
1028	5-3	1011017	12-9	1013001	7-13
1032	1-13	1011084	5-5	1013003	7-13
1035	1-7	1011273	13-3	1013005	7-13
1231	1-13	1011291	12-7	101301102	7-13
1241	1-3, 1-11, 1-13, 4-7, 5-3, 5-5, 7-7, 7-17	1011402	5-3	1013035	6-5
1242	1-11, 1-13, 7-7, 7-15	1011415	6-9	1013042	6-5
1606	1-3, 9-11	1011478	13-5	1013044	6-5
1624	5-5, 6-5	1011480	13-5	1013051	6-5
1631	9-11	1011553	1-11, 3-5	1013052	6-5
7048	6-7	1011571	12-9	1013061	12-3
7049	1-13	1011652	1-5	1013198	7-5
7173	7-17, 11-5	1011694	5-5	1013357	7-9
7174	1-3, 1-11, 1-13, 6-3, 7-15, 9-9, 10-3	1011697	1-5, 9-9	1013366	4-5, 4-11
7270	6-7, 6-9	1011700	5-5	1013461	7-9
7310	2-3	1011734	5-5	1013483	1-11
7311	1-5	1011767	13-3	1013531	4-7, 4-11
7330	12-5	1011988	9-3	1013582	13-3
7335	12-5	1011990	1-11, 1-13, 4-11	1013587	7-5
7336	12-5	1012151	13-3	1013589	7-5, 7-7
7410	1-3	1012164	8-15	1013590	7-5
7473	1-3, 1-5, 1-9, 1-13, 4-7, 5-3, 5-5, 6-7, 7-7, 7-17	1012285	1-3, 1-11, 7-5, 9-3, 9-9, 12-3	1013591	7-5
7479	4-9	1012295	7-7	1013593	13-5
7561	4-11	1012303	1-9, 6-9	1013609	7-7
7716	5-3, 5-5	1012304	6-9	1013687	9-3
7818	7-7	1012328	7-17	1013692	9-3
7847	1-5, 1-7, 10-3	1012333	7-5	1013700	9-9
7893	7-5, 7-7, 7-9	1012382	7-3	1013734	1-5, 10-3
7973	9-11	1012412	1-5	1013746	9-3, 9-7
8057	7-5, 7-7	1012431	7-5, 7-7	1013759	12-3
8058	7-5, 7-7	1012438	9-11	1013770	12-5
8067	6-7	1012499	6-3	1013771	12-5
8233	1-7, 1-11, 1-13, 4-9, 5-5, 7-5, 12-3	1012528	10-3	1013772	12-5
8248	7-5	1012549	13-5	1013773	12-5
8639	7-9	1012560	13-5	1013774	12-5
8717	7-5, 7-7, 12-3	1012565	6-3	1013787	4-3, 6-7, 12-7
8754	1-9, 4-11, 5-5, 6-3, 6-7, 6-9, 7-15	1012566	6-3	1013792	12-7
8755	1-9	1012571	8-15	1013794	12-7
8935	1-5	1012594	7-5	1013857	7-11
8990	6-5	1012604	6-3	1013871	5-5
8248	9-3	1012605	6-3	1013924	4-3, 4-5, 8-15
1010028	6-7	1012649	9-3	1014007	4-9, 12-3
1010138	6-5	1012711	12-3	1014049	11-3
		1012714	12-5	1014050	11-3
		1012740	12-5	1014052	11-3

# INDEX

1014055 11-3	1015075 7-15, 10-3	1016202 9-9
1014056 11-3	1015137 9-3, 9-7	1016214 6-3
1014057 11-3	1015139 9-3	1016219 6-3
1014058 11-3	1015143 9-3	1016289 11-3
1014059 11-3	1015188 9-3	1016337 12-5
1014065 7-5, 7-7	101524002 7-15	1016338 12-5
1014070 11-5	1015245 1-13	1016341 12-3
1014072 11-5	1015252 1-9	1016342 7-5
1014078 11-5	1015277 1-7	1016346 6-7
1014080 11-5	1015313 1-13	1016350 4-11
1014089 7-5	1015332 7-3, 8-3	1016356 7-9
1014115 13-5	1015345 7-7	1016380 7-3
1014116 9-3	1015356 1-9	1016387 6-7
1014119 7-3, 7-7	1015363 1-13	1016389 6-7
1014125 6-3	1015371 7-7	101641002 13-3
1014126 6-3	1015372 7-7	101641101 13-5
1014136 4-9	1015373 7-7	101641201 13-5
1014145 7-5, 7-7	1015390 1-13	101641202 13-5
1014161 13-5	1015391 1-9	1016413 13-5
1014162 13-5	1015399 1-9, 1-13	1016414 13-5
1014207 12-7	1015400 1-9, 1-13	1016415 13-5
1014211 6-3	1015405 7-7	1016416 13-3
1014213 6-3	1015408 9-9	1016417 13-3
1014214 6-3	1015409 7-5	1016418 13-3
1014217 6-3	1015426 9-11	1016423 7-7
1014259 13-5	101542901 1-9	101642575 9-5
1014264 13-5	1015445 1-11	101642578 9-5
1014288 7-17	1015453 6-9	101642580 9-5
1014289 7-13	101547601 3-5	101642582 9-5
1014305 13-3	1015507 1-9	101642585 9-5
1014306 1-11	1015524 13-3	1016429 8-7
1014321 1-5, 1-13	1015530 1-11	1016432 8-7, 12-3
1014374 7-17	101553901 1-13, 3-3	1016436 8-9
1014375 7-17	1015583 1-9, 6-9	1016437 9-5
1014387 1-5, 1-13	1015587 6-7	1016438 9-7
1014413 9-9	1015649 8-3	1016440 9-7
1014415 1-13	1015737 7-3, 7-7	1016441 9-7
1014453 11-3	1015741 7-7	1016442 8-9
1014454 11-5	1015752 7-7, 9-11	1016444 9-7
1014471 1-9	1015769 7-3	1016445 8-5
1014496 13-3	1015777 7-7	1016449 8-9
1014497 13-3	1015814 10-3	1016450 8-9
1014498 13-3	1015845 9-9	1016452 8-9
1014507 13-3	1015878 7-7	1016454 8-11
1014508 13-3	1015932 7-15	1016455 8-5
1014510 13-3	1015969 8-3	1016456 8-3, 8-5
1014513 1-13	1016004 9-3	1016457 8-7
1014514 1-13	1016060 1-7	1016458 8-9
1014523 9-3	1016074 7-15	1016467 8-7
1014524 9-3	1016078 1-7	1016470 8-13
1014537 1-13	101609401 3-3	1016472 8-11
1014555 6-7	101611003 13-5	1016473 8-7
1014727 7-5	1016112 13-5	1016474 8-9
1014807 7-5, 7-7	1016154 6-3	1016479 8-9
1014808 7-7	1016156 6-3	1016480 9-7
1014928 9-3	1016201 1-7, 7-5	101648102 9-7

# INDEX

101648203 8-7	1016663 6-3	1017475 8-3
1016483 8-9	1016672 12-7	1017476 8-3
1016486 9-5	1016801 11-3	1017483 8-13
1016489 8-9	1016849 7-9	1017484 8-13
101649002 9-7	1016851 7-9	1017486 8-3
1016494 8-11	1016859 7-9	1017487 8-11
1016496 8-11	1016879 7-9	1017490 8-5
1016497 8-5	1016880 7-9	1017500 8-3
1016499 9-5	1016883 7-15	1017501 8-13
1016501 9-5	1016901 11-3	1017502 8-13
1016502 8-7	1016904 10-3	1017503 8-13
1016506 8-11	1016947 7-5	1017504 8-11
1016507 8-3	1017062 7-9	1017507 8-7
1016510 8-11	1017064 7-9	1017508 8-11
1016512 8-3	1017065 7-9	1017510 8-13
1016513 12-3	1017082 12-3	1017512 8-13
1016517 8-9	1017226 6-3	1017513 8-11
1016519 8-9	1017231 12-3	1017514 8-11
1016521 8-11	1017233 4-3, 4-5	101751801 8-11
1016531 8-3	1017273 6-3	101751802 8-11
1016535 8-11	1017315 6-3	101751803 8-11
1016537 8-7	1017328 1-7, 11-3	1017653 7-13
1016538 8-11	1017378 5-5	1017686 11-5
1016539 8-3	1017380 5-5	1017689 10-3
1016541 8-13	1017384 1-3	1017696 5-5
1016544 8-5, 8-9, 8-11	1017424 5-5	1017721 7-9
1016546 9-9	1017434 8-9	101773301 8-13
1016547 8-3, 8-13, 9-7	1017435 8-9	101773302 8-13
1016549 8-9	1017442 8-7	101773303 8-13
1016551 13-5	1017443 8-11	101773304 8-13
1016552 13-5	1017444 8-9	101773305 8-13
1016553 13-5	1017445 8-9	101773306 8-13
1016554 13-5	1017446 8-9	101773307 8-13
1016560 8-9	1017447 8-11	101773308 8-13
1016561 8-5	1017448 8-5	101773309 8-13
1016562 8-5, 8-13	101744901 8-13	101773310 8-13
1016563 8-9	101744902 8-13	101773311 8-13
1016564 8-11	1017450 8-13	101796201 5-5
1016566 8-9	101745101 8-13	101804301 9-11
1016569 8-9	101745102 8-13	101806102 4-7
1016570 8-7	1017453 8-13	101808401 13-3
1016571 8-13	1017454 8-9	101809101 13-3
1016572 9-7	1017455 8-5	101811901 9-11
1016576 8-7	1017456 8-7	101812301 9-11
1016578 8-5	101745701 8-13	101813001 9-11
1016579 8-5	101745702 8-13	101813202 13-3
1016581 8-7	1017458 8-7	101817401 5-5
1016582 9-7	1017460 8-7	101818801 5-5
1016583 8-9	1017461 9-5	101821501 9-11
1016584 8-11	1017463 8-5	101822001 5-5
1016585 9-5	1017466 9-7	101823101 13-5
1016586 8-5	1017467 8-5	101824401 9-3
1016587 8-5	1017471 8-13	101825101 3-3
1016588 8-5	1017472 8-11	101827101 8-15
1016627 13-3	1017473 8-9	101831801 13-3
1016630 7-11	1017474 8-3	101831901 13-3

# INDEX

101832001	4-11	101886101	12-3	101928101	12-5
101832101	8-15	101887101	13-3	101928601	12-3
101832201	9-9	101887601	1-5, 8-3	101928701	12-3, 13-5
101832301	9-9	101889401	12-5	101929801	11-3
101832402	9-9	101889901	12-5	101933101	13-3
101832501	9-9	101890001	12-5	101939901	7-13
101832601	8-15	101890101	12-3	101947601	8-11
101832701	8-15	101890201	12-3	101953001	4-7, 5-3
101832901	8-15	101891301	12-3	101953105	4-7, 5-3
101833001	8-15	101891601	12-5	101953802	8-3
101833101	8-15	101892001	12-5	101955301	9-3
101833301	8-15	101892201	12-5	101958102	9-11
101833401	11-5	101892301	12-5	101958602	1-7
101833701	7-13, 7-15	101892401	12-5	101960201	3-3
101833906	11-3	101892901	12-3	101960501	3-5
101834001	11-5	101893201	12-5	101963401	1-13
101834601	8-15	101893801	12-3	101966901	5-5
101834801	12-3	101893901	12-5	101971001	9-11
101835601	1-7, 1-9	101894302	1-13	101971301	9-11
101836201	11-5	101896501	7-13	101972801	9-11
101837101	9-11	101896901	9-3	101973101	9-5
101837301	7-3, 7-15	101898001	7-17	101973301	9-5
101855901	8-15	101900802	4-11, 6-9	101973401	9-7
101856102	7-7	101900901	7-11	101979101	7-5
101859401	10-3	101903101	4-7, 6-7	101980901	12-5
101861901	5-5	101903501	9-9	101981001	12-5
101869302	7-13	101905901	9-5, 9-7	101987701	9-3
101871001	13-3	101909201	8-5	101987901	7-9
101874901	7-13	101909301	8-5	101988001	7-9
101875001	7-13	101909401	8-5	101988002	7-9
101875101	7-13	101909501	8-5	101988101	7-9
101875201	7-13	101915201	3-5	101988201	7-9
101875301	7-13	101916001	8-13	101990701	7-11
101875401	7-13	101916101	8-3	101991101	7-11
101875501	7-13	101916201	8-5	101992602	7-7
101875601	7-13	101916301	8-5	101997201	13-5
101875701	7-13	101916501	11-3	101997202	13-5
101875802	7-13	101916701	7-15, 11-3	101997204	13-5
101876001	7-13	101916901	5-5	101997209	13-5
101876202	7-13	101917601	9-11	101997211	13-5
101876301	7-13	101921501	9-11	101997212	13-5
101876402	7-13	101922302	8-13	102003201	9-3
101876501	7-13	101922801	1-7	102006501	6-9
101877601	7-13	101925601	11-3	102006601	6-9
101877701	7-13	101925701	9-11	102010101	6-5
101878101	7-13	101926801	9-11	102010201	6-3
101879001	7-13	101926901	12-3	102012301	6-7
101879401	6-5	101927101	12-3	102013001	6-3
101879701	6-5	101927201	12-3	102013101	6-3
101879801	6-5	101927301	12-3	102013601	6-7
101879901	6-5	101927501	12-5	102013701	6-7
101880201	6-5	101927601	12-5	102013801	6-7
101880901	4-11, 12-9	101927701	12-5	102013901	1-3
101881101	8-5	101927801	12-5	102015701	1-3
101881701	9-11	101927901	12-5	102015801	1-3
101884801	8-15	101928001	12-5	102016501	6-7

# INDEX

102016701	6-7	102028601	5-3	102049901	4-3, 4-5
102016801	6-7	102028901	5-3	102050001	4-3, 4-5
102017601	6-7	102029101	3-3	102050101	4-3, 4-5
102018401	12-3	102029301	3-3	102050201	4-3, 4-5
102018501	12-3	102029501	1-5	102050301	4-3
102018601	12-3	102029601	1-13	102050401	4-3, 4-5
102018701	12-3	102029801	1-13	102050501	4-3, 4-5
102018801	12-5	102030001	1-13	102050601	4-3, 4-5
102018901	12-5	102030201	1-13	102050701	4-3, 4-5
102019001	12-5	102030501	1-3	102050801	4-5
102019101	12-7	102031201	12-9	102050901	4-5
102019201	12-7	102031501	12-3	102050902	4-5
102019401	12-7	102031601	12-3	102051001	4-3, 4-5
102019501	12-7	102031701	12-5	102051101	4-7
102019601	12-7	102031801	12-5	102051201	4-7
102019701	12-5	102031901	12-7	102051301	4-7
102019901	12-5	102032001	12-5	102051401	4-7
102020001	12-7	102032201	6-9	102051601	7-11
102020101	12-7	102032301	6-9	102051701	7-11
102020201	12-7	102032601	7-3	102051901	7-11
102020301	12-7	102032801	4-9	102052301	6-7
102020401	12-7	102032901	4-9	102052401	6-7
102020501	12-7	102033001	4-9	102052701	4-11
102020601	12-7	102033101	4-9	102052801	4-11
102020801	12-7	102033201	4-7	102054201	4-7
102020901	12-7	102033301	4-3	102054401	4-7
102021401	2-3	102033401	4-5	102055001	4-11
102021402	2-3	102033501	4-5	102055101	4-11
102021501	1-3	102033701	4-11	102055801	1-3
102021601	1-3	102033801	4-11	102056201	1-5
102021710	1-3	102033901	4-11	102056901	1-3
102021714	1-3	102044001	4-9	102057501	4-7
102021801	1-3	102044101	4-5	102057601	4-7
102021901	1-11	102044201	4-3, 6-7	102057701	4-7
102022001	1-11	102044401	4-3, 4-9	102057801	4-7
102022201	12-9	102044601	3-3	102058401	1-3
102022301	12-7	102044701	7-11	102059001	1-5
102022401	12-7	102044801	7-11	102059401	1-5
102022601	6-5	102045501	4-3, 4-9	102059501	1-5
102022801	6-5	102045601	6-9	102060201	1-5
102022901	6-5	102045701	4-9	102061101	1-5
102023001	6-7	102045801	4-9	102061201	13-5
102023101	6-7	102045901	7-5, 12-3	102065001	6-9
102023301	6-5	102046301	3-3	102065901	1-9
102023701	1-5	102046401	3-3	102066001	1-9
102024901	1-5	102046501	3-5	102066701	6-7
102025001	1-5	102046601	3-3, 12-9	102067001	6-7
102025101	12-9	102046801	1-13	102068501	1-5
102025701	1-3	102047001	1-5	102078101	1-3
102025901	7-11	102048001	6-7	102100201	6-7
102026001	5-5	102048501	9-3	102100701	12-5
102026401	1-5	102048601	6-7	102100801	12-5
102026501	1-5	102049401	4-3, 4-5	102155801	11-5
102026901	1-5	102049501	4-3, 4-5	102157001	3-3
102028301	4-11	102049601	4-3, 4-5	102158301	3-3
102028401	4-11	102049701	4-3, 4-5	102160101	1-3

# INDEX

102160501 4-11  
102169401 13-5  
102171401 6-7  
102188401 11-3, 11-5  
102195201 9-11  
54509823 4-11  
54562079 4-11  
54645318 1-11

## A

a-arm 6-7  
accelerator cable 9-9  
accelerator pedal 5-5  
accelerator pedal adjustment tool 13-3  
accelerator pivot rod 5-5  
accelerator rod 5-5  
a-connector (starter/generator) 7-13  
adhesive, guide ring 13-3  
adjuster, axle (brake) 4-3, 4-5  
adjuster, hydraulic brake 13-5  
air box 9-11  
air duct 9-11  
air filter 9-11  
angle, tailgate 1-13  
arbor 13-5  
arm, differential lock lever 12-7  
arm, governor lever 12-3  
arm, pivot 12-3  
arm, rocker 8-9  
armature 7-13  
armrest 1-5  
assembly  
    a-arm 6-7  
    accelerator pedal 5-5  
    accelerator rod 5-5  
    air box 9-11  
    air box top 9-11  
    armature 7-13  
    axle 12-7  
    bearing (steering column) 6-3  
    bolt (float chamber) 9-5  
    brake 4-5  
    brake drum 6-7  
    brake drum and hub 4-3  
    brake pedal 5-3  
    carburetor 9-5, 9-7  
    connecting rod 8-13  
    drive clutch 11-3  
    drive hub 11-3  
    driven clutch 11-5  
    fe350 cylinder head 8-9  
    fixed face (drive clutch) 11-3  
    float (carburetor) 9-5  
    float chamber 9-5  
    front panel (cargo box) 1-13  
    headlight 7-9

idle screw 9-5  
inner ball joint 6-5  
master cylinder 4-7  
moveable face (drive clutch) 11-3  
moveable face (driven clutch) 11-5  
pilot air screw 9-5  
scorecard plate 6-3  
screw (float chamber) 9-5  
side panel (cargo box) 1-13  
steering column 6-3  
steering gear box 6-5  
tailgate 1-13  
tilt bed 1-9  
turn signal lens 7-9  
wheel and tire 2-3  
wire harness 7-3  
axle 12-7  
axle adjuster (brake) 4-3, 4-5  
axle hardware 4-3, 4-5  
axle tube 12-7

## B

backing plate (brake) 4-3, 4-5  
ball bearing (transaxle) 12-5  
ball bearing, output shaft 7-13  
ball joint 6-5, 7-5  
ball stud 5-5, 7-5, 7-7, 12-3  
ball, steel (transaxle) 12-5  
ball, steel pressure relief 8-7  
band, rpm limiter mount 8-5  
barb, vent 9-3  
barrel, plastic 1-13  
base, forward/reverse shifter 7-5  
battery clamp 7-17  
battery discharge machine 13-3  
battery terminal protector spray 13-3  
battery thermometer 13-3  
battery, 12-volt 7-17  
bearing  
    ball (transaxle) 12-5  
    crankshaft 8-11  
    hub 6-7  
    idler (drive clutch) 11-3  
    inner axle tube 12-5  
    lower pinion (steering) 6-5  
    needle 12-5  
    outer axle tube 12-7  
    pivot support 5-5  
    thrust 6-7  
    upper pinion (steering) 6-5  
bearing and oil seal remover 13-3  
bearing cup 6-7  
bearing driver set 13-3  
bearing puller 13-3  
bearing puller wedge 13-3  
bearing retainer (starter/generator) 7-13

bearing seal 6-3  
bearing seat (steering column) 6-3  
bell crank 4-7  
bell crank and shaft 7-7  
bell crank, forward/reverse 7-5  
belt, drive 11-3, 11-5  
belt, starter/generator 7-15, 11-3  
bezel, headlight 7-9  
block, fuse 7-7  
block, terminal 7-9  
body, front 1-3  
bolt  
    banjo (brake) 4-3, 4-9  
    differential lock pinch 12-7  
    kingpin 6-7  
    u- 6-9  
    wheel cylinder 4-3, 4-5  
boot (master cylinder) 4-7  
boot shield 4-11  
boot, park brake lever 4-11  
boot, rubber 9-3  
boot, steering column 6-3  
box, electrical component 7-7  
brace, trailer hitch 1-11  
bracket  
    accelerator support 9-9  
    adjusting (starter/generator) 7-15  
    brake cable 4-11  
    differential lock 12-3  
    fe350 mounting 7-15  
    governor cable engine 9-9  
    master cylinder mounting 4-7  
    mounting (headlight) 7-9  
    muffler mounting 10-3  
    oil filter 8-7  
    oil level switch 8-11  
    rpm limiter 8-5  
    snubber 8-15  
    support (governor cable) 9-9  
    tailgate 1-13  
    throttle 9-7  
    transmission cable support 7-5, 12-3  
bracket (fuel/hour gauge) 7-11  
brake 4-5  
brake adjustment tool 13-3  
brake cable hanger 6-9  
brake cluster 4-3  
brake drum 4-3, 4-5, 6-7  
brake hose 4-9  
brake line 4-9  
brake mounting block 5-3  
brake pedal 5-3  
breather (transaxle) 12-3  
bronze bushing 6-7, 7-5, 7-7  
brush 7-13  
brush connector 7-13



# INDEX

brush holder 7-13  
brush inspection port cover 7-13  
brush spring 7-13  
bucket seat 1-5  
bulb, halogen 7-9  
bumper, return spring 5-5  
bumper, rubber 1-7, 5-3  
bumper, tube 1-3  
bushing  
    bronze 6-7, 7-5, 7-7  
    nylon 1-13  
    steel 1-9, 6-9  
    urethane 1-9, 6-7, 6-9

## C

cable  
    accelerator 9-9  
    choke 9-11  
    differential lock 12-9  
    governor 9-9  
    park brake 4-11  
    transmission 7-5  
calibration test module 13-3  
cam (driven clutch) 11-5  
cam installation tool 13-3  
cam, electrical box 7-7  
cam, neutral lockout 7-5  
camshaft 8-11  
cap  
    corner 1-5, 1-13  
    filler 4-7  
    fuel tank 9-3  
    plug 8-5  
    tube bumper 1-3  
carburetor 9-5, 9-7  
card, safety first 13-5  
case, gear 12-3  
case, gear carrier 12-5  
case, rocker 8-9  
choke cable 9-11  
circlip, type-e 8-9  
clamp  
    battery 7-17  
    cable retaining 9-9  
    hose 9-3  
    hose (air intake) 9-11  
    hose (bronze) 9-7  
    hose (gray) 9-3, 9-7  
    hose (red) 9-3  
    muffler 10-3  
    p- 4-9  
    plastic (fuel line) 9-3  
clevis pin 4-5, 4-11  
clip  
    horseshoe 4-9  
    park brake cable 4-11

scorecard 6-3  
cluster, brake 4-3  
clutch alignment tool 13-3  
clutch tool kit 13-3  
clutch, drive 11-3  
clutch, driven 11-5  
cog, differential lock 12-7  
coil cover shock 6-7  
coil, field 7-13  
coil, ignition 8-5  
collet (cylinder head) 8-9  
communication display module 13-3  
compression gauge 13-3  
compression mount 6-9  
compressor, piston ring 13-5  
compressor, valve spring 13-5  
connecting rod 8-13  
connecting rod (crankshaft) 8-13  
connector, oil sending unit 8-11  
console cover 1-5  
continuity tester 13-3  
control, differential lock 12-9  
corner cap 1-5, 1-13  
counterbalance weight 8-13  
cover  
    brush inspection port 7-13  
    console 1-5  
    crankcase 8-11  
    dust 4-3, 4-5, 6-7  
    electrical component box 7-7  
    gear case 12-5  
    pump 8-7  
crank, bell 4-7  
crankcase, fe350 8-13  
crankshaft, fe350 8-13  
cup, bearing 6-7  
cup, seat holder 1-5  
cup, spring 5-5  
cushion, shock absorber 6-9  
cutter, valve seat 13-5  
cylinder head shroud 8-3  
cylinder head, fe350 8-9  
cylinder, master 4-7  
cylinder, wheel 4-3, 4-5

## D

damper 8-5  
dash hardware 1-3  
dash panel 1-3  
dashboard 1-3  
decal  
    bed latch warning 3-3  
    bed load 1-13  
    bed load warning 3-3  
    Carryall 272 3-3  
    Club Car 3-5

Club Car tailgate 1-13  
crush area warning 3-3  
differential lock control warning 3-3, 12-9  
driver/passenger warning 3-3  
frame ground 3-5  
gasoline warning 3-5  
Ingersoll-Rand (gold) 3-3  
key switch 3-3  
operating instructions 3-3  
rotating parts and hot manifold 3-5  
trailer hitch 1-11, 3-5  
Turf 272 3-3  
    under age warning 3-3  
    vehicle loading 3-3  
    winch cable warning 3-5  
differential gear 12-5  
differential lock 12-7, 12-9  
differential pin 12-5  
dipstick 8-3  
double lip seal 6-7  
drain plug 8-7  
drain plug (transaxle) 12-3  
drive belt 11-3, 11-5  
drive clutch 11-3  
drive clutch holder tool 13-3  
drive clutch hub puller 13-3  
drive clutch puller 13-3  
drive hub 11-3  
driven clutch 11-5  
driven clutch cam puller 13-3  
driven clutch puller plug 13-3  
drum, brake 4-3, 4-5, 6-7  
dry moly lubricant 13-3  
duct, air 9-11  
dust cover 4-3, 4-5, 6-7  
dust seal 6-5  
dust seal, steering pinion 6-5

## E

e-clip (air box top) 9-11  
electrical box cam 7-7  
electrical component box 7-7  
end bell, commutator 7-13  
end bell, output shaft 7-13  
engine, fe350 ohv gasoline 8-3  
equalizer 4-11  
equalizer rod 4-7, 5-3  
e-ring (governor cable) 9-9  
exhaust system 10-3  
exhaust valve 8-9

## F

fan housing 8-3  
fan shroud 8-3  
fan, flywheel 8-5  
fe350 ohv gasoline engine 8-3

# INDEX

fender guard 1-11  
fender, front 1-3  
fender, rear 1-11  
field coil (starter/generator) 7-13  
filler cap 4-7  
filter, air 9-11  
filter, fuel 9-3  
filter, oil 8-7  
fitting, grease 6-7  
fixed face (drive clutch) 11-3  
fixed face (driven clutch) 11-5  
float (carburetor) 9-5  
float chamber 9-5  
floor mat 1-3  
fly wheel puller 13-3  
flywheel 8-5  
fork, shift 12-5  
forward/reverse shifter 7-5  
f-terminal insulator 7-13  
fuel impulse pump 9-3  
fuel line 9-3  
fuel strap 9-3  
fuel tank 9-3  
fuel/hour gauge 7-11  
fuse block 7-7  
fuse, 10-amp 7-7  
fuse, 20-amp 7-7

**G**

gasket  
    carburetor insulator 9-7  
    crankcase cover 8-11  
    drain plug 8-7  
    exhaust 10-3  
    float chamber 9-5  
    head 8-9  
    insulator 9-7  
    liquid 12-3, 13-5  
    oil pump 8-7  
    rocker case 8-9  
    throttle bracket 9-7  
gauge, compression 13-3  
gauge, fuel/hour 7-11  
gear  
    70 tooth 12-5  
    cluster idler 12-5  
    differential 12-5  
    differential idler 12-5  
    helical (crankshaft) 8-13  
    input 12-5  
    spur (crankshaft) 8-13  
    spur (transaxle) 12-5  
gear case 12-3  
gear case cover 12-5  
gear yoke 13-3  
governor 12-5

governor cable 9-9  
governor lever arm 12-3  
governor shaft installation tool 13-3  
grease fitting 6-7  
grill (front body) 1-3  
grip, hand 1-13  
grip, pencil 6-3  
grommet (flywheel) 8-5  
grommet, insulation 9-3  
guard, fender 1-11  
guard, unitized transaxle 12-3  
guide (transaxle) 12-5  
guide ring adhesive 13-3  
guide, steering 6-5  
guide, valve 8-9  
guide, valve seat cutter 13-5

## H

halogen bulb 7-9  
hand grip 1-13  
hand grip, tilt latch 1-9  
handle, differential lock 12-9  
handle, forward/reverse switch 7-5  
hanger, brake cable 4-11, 6-9  
hardware, terminal (starter/generator) 7-13  
harness retainer 7-11  
harness, headlight wire 7-9  
harness, wire 7-3  
headlight 7-9  
headlight lens 7-9  
hinge plate 1-5  
hinge plate, body 1-5  
hinge, tilt bed 1-9  
hold-down, (brake) shoe 4-3, 4-5  
holder, radio/beverage 1-5  
horseshoe clip 4-9  
hose, brake 4-9  
hose, intake 9-11  
housing, differential lock 12-7  
housing, fan 8-3  
housing, field coil (starter/generator) 7-13  
hub bearing 6-7  
hub, drive 11-3  
hub, synchronizer clutch 12-5  
hydraulic brake adjuster 13-5  
hydraulic lifter 8-11  
hydraulic shoe 4-3, 4-5  
hydrometer 13-5

**I**

idle screw 9-5  
ignition coil 8-5  
insert, synchronizer 12-5  
insert, threaded 1-5  
insulation, bulk 1-9  
insulator, carburetor 9-7

insulator, f-terminal 7-13  
intake pipe 9-7  
intake valve 8-9  
internal retaining ring pliers 13-5

## J

jet, main 9-5  
jet, pilot 9-5  
joint  
    ball 6-5, 7-5  
    inner ball 6-5  
    spring-loaded ball 5-5  
    steering 6-3

## K

key (crankshaft) 8-13  
key (dash panel) 7-11  
key (driven clutch) 11-5  
key (flywheel) 8-5  
key switch 7-11  
key, square transmission 11-5  
key, woodruff 7-13, 12-3  
kingpin bolt 6-7  
kit  
    accelerator pivot rod 5-5  
    air duct repair 9-11  
    axle adjuster 4-3, 4-5  
    axle hardware 4-3, 4-5  
    dash hardware 1-3  
    drive clutch button 11-3  
    drive clutch weight 11-3  
    driven clutch button 11-5  
    fuel tank 9-3  
    hydraulic shoe 4-3, 4-5  
    prop rod 1-7  
    pulley nut and screw 7-13  
    reverse buzzer 7-9  
    shock absorber cushion 6-9  
    trailer hitch 1-11  
    tune-up 13-5  
knob, light switch 7-11

## L

latch (cargo bed) 1-13  
latch weld (cargo bed) 1-9  
latch, wire 9-11  
lead wire 8-5  
lens, headlight 7-9  
lens, turn signal 7-9  
lever  
    adjuster (brake) 4-3, 4-5  
    choke 9-11  
    differential lock 12-7  
    park brake 4-5, 4-11  
    shifter 12-3

# INDEX

transmission shifter 12-3  
lifter, hydraulic 8-11  
light switch 7-11  
light switch knob 7-11  
light, oil warning 7-11  
limit switch 7-5, 7-7  
limiter, rpm 8-5  
limiter, voltage 7-9  
line  
    brake 4-9  
    fuel 9-3  
    vent 9-3, 9-7  
link, rack and pinion drag 6-5  
liquid gasket 13-5  
lubricant, dry moly 13-3  
lug nut 2-3, 4-3, 4-5, 6-7  
lug stud 4-3, 6-7, 12-7

## M

main jet 9-5  
master cylinder 4-7  
mat, floor 1-3  
meter, volt ohm 13-5  
module, calibration test 13-3  
module, communication display 13-3  
mount, compression 6-9  
moveable face (drive clutch) 11-3  
moveable face (driven clutch) 11-5

## N

neutral lockout cam 7-5  
nozzle, main 9-5  
nut, key switch 7-11  
nut, lug 2-3, 4-3, 4-5, 6-7

## O

oil and rotor pump 8-7  
oil filler tube 8-3  
oil filter 8-7  
oil level sensor 8-11  
oil seal 8-13, 12-3  
oil seal (axle tube) 12-7  
oil warning light 7-11  
o-ring 8-7, 8-11, 8-13, 9-11, 12-7

## P

pad  
    accelerator pedal 5-5  
    brake pedal 5-3  
    spring 6-9  
paint, touch-up 13-5  
panel, dash 1-3  
panel, front (cargo box) 1-13  
panel, seat 1-5  
panel, side (cargo box) 1-13

park brake 4-11  
p-clamp 4-9  
pedal, accelerator 5-5  
pedal, brake 5-3  
pencil grip 6-3  
pilot air screw 9-5  
pilot jet 9-5  
pin  
    clevis 4-5, 4-11  
    differential 12-5  
    governor cable clevis 9-9  
    hair spring cotter 4-11, 9-9  
    piston 8-13  
pinion, steering 6-5  
pipe, intake 9-7  
piston 8-13  
piston pin 8-13  
piston ring compressor 13-5  
piston ring pliers 13-5  
piston ring set 8-13  
pivot arm 12-3  
plastic barrel 1-13  
plate 8-9  
    backing (brake) 4-3, 4-5  
    body hinge 1-5  
    flywheel fan 8-5  
    hinge 1-5  
    mounting 8-15  
    oil filter screen 8-11  
    oil pump 8-7  
    scorecard 6-3  
    suspension mounting 6-7  
    thrust 12-5  
    thrust (differential gear) 12-5  
    thrust (idler gear) 12-5  
    tilt bed latch 1-7  
pliers, internal retaining ring 13-5  
pliers, piston ring 13-5  
pliers, retaining ring 13-5  
plug  
    drain 8-7  
    drain (transaxle) 12-3  
    drive clutch 11-3  
    driven clutch puller 13-3  
    spark (ohv) 8-5  
plug cap 8-5  
pole set (starter/generator) 7-13  
pop rivet 1-5, 4-9, 4-11, 7-9, 9-11, 12-9  
press weldment 13-3  
pressure switch 4-7  
prop rod 1-7  
protector spray, battery terminal 13-3  
puller  
    bearing 13-3  
    drive clutch 13-3  
    drive clutch hub 13-3

driven clutch cam 13-3  
fly wheel 13-3  
seal 13-5  
pulley (starter/generator) 7-13  
pulley nut and screw (starter/generator) 7-13  
pulley, flat mount 4-11  
pump cover 8-7  
pump, fuel impluse 9-3  
pump, oil and rotor 8-7  
push rod 4-7, 8-9

## R

rack and pinion drag link 6-5  
rack, steering 6-5  
radio/beverage holder 1-5  
reamer, valve guide 13-5  
regulator, voltage 7-7  
remover, bearing and oil seal 13-3  
retainer  
    bearing (starter/generator) 7-13  
    harness 7-11  
    headlight 7-9  
    shock absorber cushion 6-9  
    spring 5-5  
    spring (drive clutch) 11-3  
    valve spring 8-9  
retaining ring (drive clutch) 11-3  
retaining ring (driven clutch) 11-5  
retaining ring pliers 13-5  
return spring bumper 5-5  
reverse buzzer 7-9  
ring  
    retaining (drive clutch) 11-3  
    retaining (driven clutch) 11-5  
    snap 8-13  
    snap (steering) 6-5  
    spiral back-up 11-3  
    synchronizer 12-5  
ring set, piston 8-13  
rivet, blind 1-3  
rivet, pop 1-5, 4-9, 4-11, 7-9, 9-11, 12-9  
rocker arm 8-9  
rocker case 8-9  
rocker shaft 8-9  
rod  
    accelerator 5-5  
    accelerator pivot 5-5  
    connecting 8-13  
    connecting (crankshaft) 8-13  
    equalizer 4-7, 5-3  
    prop 1-7  
    push 4-7, 8-9  
    shift 12-5  
rpm limiter 8-5  
rubber boot 9-3  
rubber bumper 1-7, 5-3

# INDEX

- S**
- safety first card 13-5
  - scorecard clip 6-3
  - scorecard plate 6-3
  - screen, oil filter 8-11
  - screw
    - idle 9-5
    - pilot air 9-5
    - pole piece (starter/generator) 7-13
    - rack guide 6-5
    - tuflok 1-3
    - valve clearance adjuster 13-5
  - seal
    - bearing 6-3
    - bed 1-5
    - crankshaft 8-11
    - double lip 6-7
    - dust 6-5
    - input shaft oil 12-5
    - intake (air box) 9-11
    - oil 8-13, 12-3
    - oil (axle tube) 12-7
    - steering pinion dust 6-5
    - valve 8-9
  - seal puller 13-5
  - seat panel 1-5
  - seat support 1-5
  - seat, bucket 1-5
  - seat, spring 8-9
  - sensor, oil level 8-11
  - set, pole 7-13
  - shackle, rear spring 6-9
  - shaft
    - guide counterbalance 8-13
    - input (synchronizer) 12-5
    - rocker 8-9
    - shifter 12-3
    - steering column 6-3
  - shield, air duct 9-11
  - shield, boot 4-11
  - shift fork 12-5
  - shift rod 12-5
  - shifter shaft 12-3
  - shifter, forward/reverse 7-5
  - shim (camshaft) 8-11
  - shim, crankshaft 8-13
  - shim, latch plate 1-7
  - shock absorber cushion 6-9
  - shock absorber, rear 6-9
  - shock tower 6-7
  - shock, coil cover 6-7
  - shroud, cylinder head 8-3
  - shroud, fan 8-3
  - shroud, lower cylinder 8-3
  - shroud, upper cylinder 8-3
  - sleeve (governor) 12-5
  - sleeve, steel 6-7
  - sleeve, synchronizer 12-5
  - snap ring 8-13
  - snap ring (steering) 6-5
  - snubber 8-15
  - solenoid, 12-volt 7-7
  - spacer
    - accelerator pedal 5-5
    - battery terminal bolt 7-17
    - differential lock 12-7
    - fixed face shaft 11-3
    - key switch 7-11
    - ratchet support 5-5
    - rear suspension 6-9
  - spark plug (ohv) 8-5
  - spindle 6-7
  - spray, battery terminal protector 13-3
  - spring
    - brake pedal return 4-7
    - brush 7-13
    - compression 1-13, 6-3
    - differential lock 12-7
    - drive clutch 11-3
    - engine valve 8-9
    - forward/reverse cam 7-5
    - latch extension 1-9
    - rear four-leaf 6-9
    - return 5-5
    - return (air box) 9-11
    - shoe to shoe 4-3, 4-5
    - synchronizer 12-5
    - tapered compression 6-3
    - throttle return 9-7
    - yoke (steering) 6-5
  - spring cup 5-5
  - spring pad 6-9
  - spring seat 8-9
  - starter/generator 7-13, 7-15
  - steel ball (transaxle) 12-5
  - steel bushing 1-9, 6-9
  - steel sleeve 6-7
  - steering column 6-3
  - steering column bearing press tool 13-5
  - steering column retaining ring tool 13-5
  - steering gear box 6-5
  - steering guide 6-5
  - steering pinion 6-5
  - steering rack 6-5
  - steering stop 6-7
  - steering wheel 6-3
  - steering wheel puller tool 13-5
  - stiffener, flywheel side 8-15
  - stiffener, pto side 8-15
  - stop, steering 6-7
  - stud
    - ball 5-5, 7-5, 7-7, 12-3
    - flush head 1-13
    - lug 4-3, 6-7, 12-7
  - support
    - accelerator pivot rod 5-5
    - latch plate 1-7
    - lower fender 1-3
    - seat 1-5
    - upper front body 1-3
  - suspension mounting plate 6-7
  - switch
    - key 7-11
    - light 7-11
    - limit 7-5, 7-7
    - pressure 4-7
  - synchronizer clutch hub 12-5
  - synchronizer ring 12-5
  - system, exhaust 10-3
- T**
- 10-amp fuse 7-7
  - 12-volt battery 7-17
  - 12-volt solenoid 7-7
  - 20-amp fuse 7-7
  - tachometer 13-5
  - tailgate 1-13
  - tailskirt 1-11
  - tape, vhb 1-5
  - tape, vhb (air duct shield) 9-11
  - terminal block 7-9
  - terminal hardware (starter/generator) 7-13
  - tester, continuity 13-3
  - thermometer, battery 13-3
  - thrust bearing 6-7
  - thrust plate 12-5
  - thrust plate (differential gear) 12-5
  - thrust plate (idler gear) 12-5
  - tie, wire 6-5, 7-9
  - tilt bed, manual lift 1-9
  - tire 2-3
  - tool
    - accelerator pedal adjustment 13-3
    - brake adjustment 13-3
    - cam installation 13-3
    - clutch alignment 13-3
    - drive clutch holder 13-3
    - governor shaft installation 13-3
    - steering column bearing press 13-5
    - steering column retaining ring 13-5
    - steering wheel puller 13-5
    - transaxle axle seal 13-5
    - transaxle pinion seal 13-5
    - transmission 13-5
  - tool kit, clutch 13-3
  - top, air box 9-11
  - touch-up paint 13-5
  - tower, shock 6-7

# INDEX

track, prop rod 1-7  
trailer hitch 1-11  
transaxle axle seal tool 13-5  
transaxle pinion seal tool 13-5  
transaxle, unitized 12-3  
transmission cable 7-5  
transmission shifter lever 12-3  
transmission tool 13-5  
tube  
    7 mm (flywheel) 8-5  
    axle 12-7  
    crankcase vent 9-7  
    oil filler 8-3  
tube bumper 1-3  
tune-up kit 13-5  
turn signal lens 7-9

## U

u-bolt 6-9  
unitized transaxle 12-3  
urethane bushing 1-9, 6-7, 6-9

## V

valve 8-9  
    choke 9-11  
    exhaust 8-9  
    fuel pickup tube 9-3  
    intake 8-9  
valve clearance adjuster screw 13-5  
valve guide 8-9  
valve guide reamer 13-5  
valve seal 8-9  
valve seat cutter 13-5  
valve seat cutter guide 13-5  
valve seat cutter t-wrench 13-5  
valve spring compressor 13-5  
vent line 9-7  
vent, fuel tank 9-3  
volt ohm meter 13-5  
voltage limiter 7-9  
voltage regulator 7-7

## W

warning light, oil 7-11  
washer  
    copper (brake) 4-3, 4-9  
    delrin flat 7-5, 7-7  
    drive clutch 11-3  
    driven clutch 11-5  
    kingpin wave 6-7  
    nylon flat 7-5  
    spring 12-5  
    thrust 12-5  
    wave 7-5  
wedge (steering column) 6-3

wedge, bearing puller 13-3  
weight, counterbalance 8-13  
weight, drive clutch 11-3  
weldment, forward/reverse bell crank 7-5  
weldment, press 13-3  
wheel 2-3  
wheel cylinder 4-3, 4-5  
wheel, steering 6-3  
wire harness 7-3  
wire latch 9-11  
wire tie 6-5, 7-9  
wire, lead 8-5  
woodruff key 7-13, 12-3

## Y

yoke spring (steering) 6-5  
yoke, gear 13-3





**CLUB CAR**  

---

**INGERSOLL-RAND**

**Transportation and Utility Vehicles**  
Club Car Inc.  
P.O. Box 204658  
Augusta, GA 30917-4658