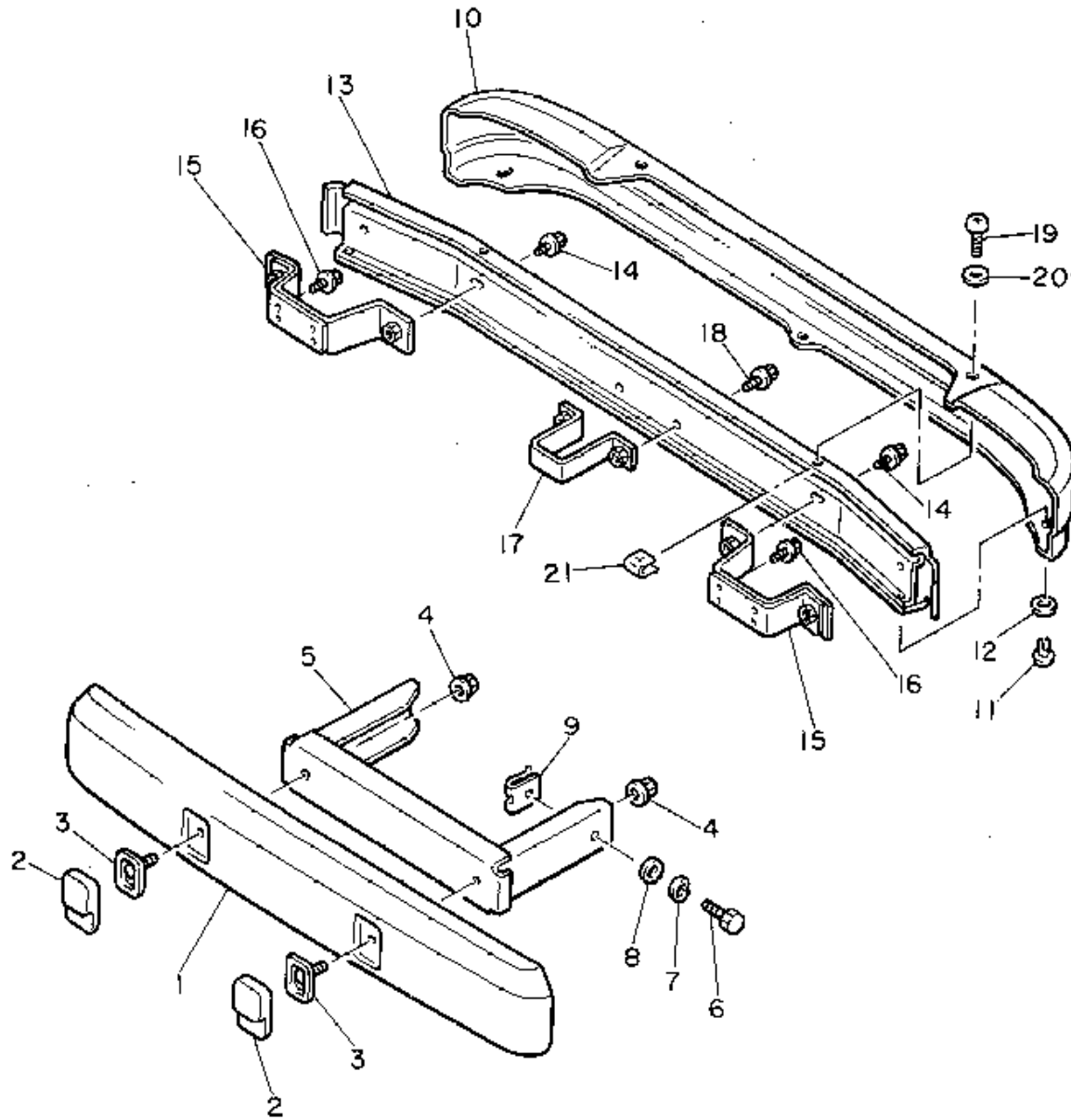


BUMPER



Ref. No.	Part Number	Description	Qty	Remarks
1	JF2-K8163-01-00	COVER, BUMPER	1	YPAD
2	JF2-77517-00-00	CAP	2	
3	JF2-77527-00-00	PLATE, BACK UP	2	
4	95706-08500-00	NUT, flange	2	
5	JF2-K7511-00-00	BUMPER, FRONT 1	1	YPAD
6	97313-08020-00	BOLT, HEXAGON	2	
7	92902-08100-00	WASHER, SPRING	2	
8	92990-08600-00	WASHER, PLATE	2	
9	JF2-77528-00-00	NUT	2	
10	JF2-K817U-00-00	COVER, REAR BUMPER	1	YPAD
11	90267-63047-00	RIVET, BLIND	3	
12	90201-063J2-00	WASHER, PLATE	2	
13	JF2-K8107-00-00	BUMPER SUB-ASSEMBLY, REAR	1	YPAD
14	95816-08016-00	BOLT, FLANGE	4	
15	JF2-K8174-00-00	STAY, REAR BUMPER	2	YPAD
16	95816-08016-00	BOLT, FLANGE	6	
17	JF2-K7521-00-00	STOPPER, 1	1	YPAD
18	95816-08016-00	BOLT, FLANGE	2	
19	97706-50516-00	SCREW, TAPPING	2	
20	90201-05033-00	WASHER, PLATE	2	
21	90183-05042-00	NUT, SPRING	2	
	G8E-PARTS-BO-AR	ASSEMBLY, HARDWARE	8	OPTIONAL PART



JF3100-3110



B7