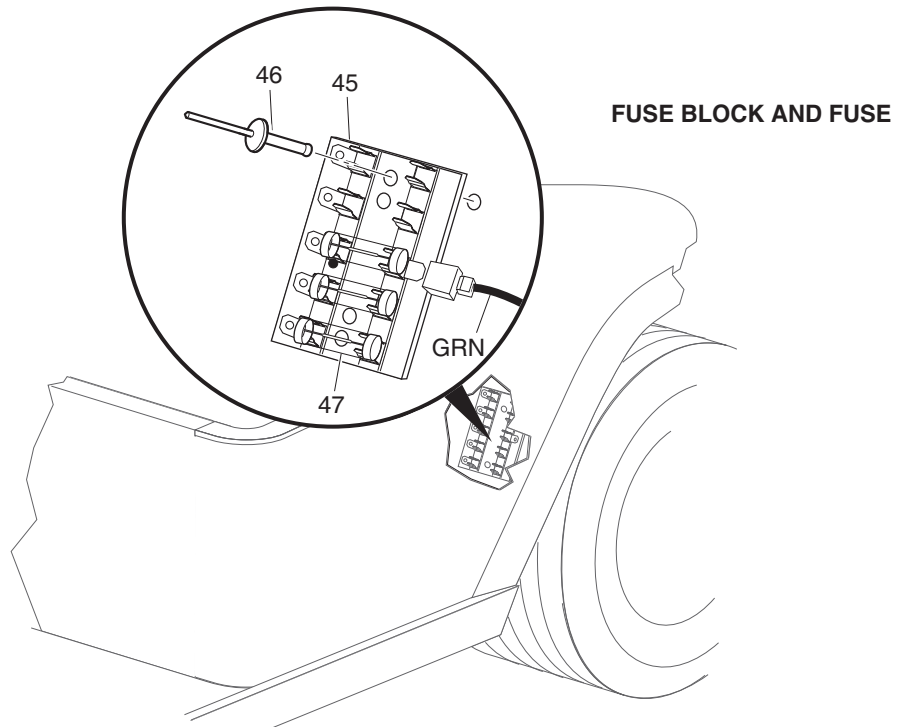
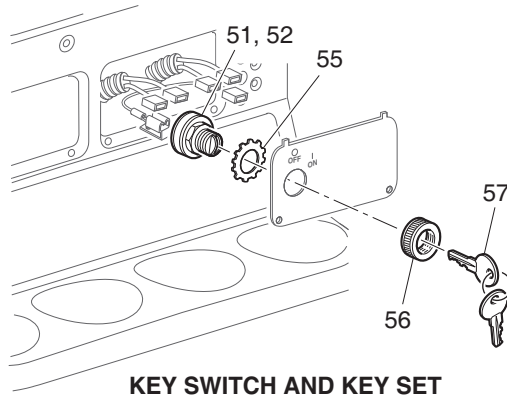


ELECTRICAL SYSTEM - COMMON



Ref Ele 17-2

ELECTRICAL SYSTEM - COMMON

Where applicable, THE USE OF NON UL PARTS WILL VOID ANY UL LISTING.
 When ordering parts, please specify the model and serial number of the product.
 * Indicates a component that is not available as an individual part.
 G** Indicates consult Customer Service Department for additional information.

ITEM	PART NO.	1	2	3	4	5	DESCRIPTION	QTY.	
1	XXXXX-GXX	6 VOLT BATTERY							6
2									
3									
4	01101-G01	HOLD DOWN BOLT (STAINLESS STEEL).....							2
5	70045-G01	BATTERY RETAINER							1
6	11027-G1	LOCK NUT, 5/16 - 18							2
7	607651	4 GA WIRE, GREEN 10".....							1
8	607590	4 GA WIRE, GREEN 7".....							5
9	00702-G2	NUT, 5/16 - 18							12
10									
11									
12									
13	73063-G01	CHARGER RECEPTACLE ASSEMBLY (INCLUDES ITEMS 14 - 23).....							1
14	*	RECEPTACLE COVER							1
15	*	RECEPTACLE BOTTOM							1
16	73051-G05	FEMALE CONNECTOR							2
17	73051-G06	INSULATOR SLEEVE.....							1
18									
19	73051-G08	SCREW, #10 - 32 X 1/2" LG (BRASS)							2
20	73051-G09	SCREW, #6 - 32 X 1 3/4" LG (STAINLESS STEEL).....							3
21	73051-G10	LOCK NUT, #6 - 32							3
22	*	WIRE HARNESS (CHARGER).....							1
23	17618-G1	WIRE TIE							2
24									
25									
26									
27	71055-G01	RIVET, 3/16" X 1" LG (ALUMINUM).....							4
28	17618-G1	WIRE TIE							3
29									
30									

ELECTRICAL SYSTEM - COMMON

Where applicable, THE USE OF NON UL PARTS WILL VOID ANY UL LISTING.

When ordering parts, please specify the model and serial number of the product.

* Indicates a component that is not available as an individual part.

G** Indicates consult Customer Service Department for additional information.

ITEM	PART NO.	1	2	3	4	5	DESCRIPTION	QTY.
31								
32	27327-G02						CABLE CLAMP	1
33	10570-G11						RIVET, 3/16" X 3/4" LG (STAINLESS STEEL)	1
34	17618-G1						WIRE TIE	8
35								
36								
37								
38	00993-G01						LOCK WASHER, 5/16" (SILICON BRONZE)	AR
39	28418-G01						NUT, 5/16 - 18 (BRASS).....	AR
40	00993-G02						LOCK WASHER, 1/4" (SILICON BRONZE)	2
41	28418-G02						NUT, 1/4 - 20 (BRASS).....	2
42								
43								
44								
45	22674-G1						FUSE BLOCK.....	1
46	01041-G01						RIVET, 1/8" X 13/16" LG	2
47	18392-G1						15 AMP FUSE	AR
48								
49								
50								
51	17421-G1						KEY SWITCH KIT (W/O LIGHTS - STANDARD - WITH HARDWARE).....	1
52	17955-G1						KEY SWITCH (WITHOUT LIGHTS - NON STANDARD)	1
53								
54								
55	00568-G6						LOCK WASHER, 3/4".....	1
56	17137-G1						FACE NUT, 3/4 - 20	1
57	17063-G1						KEY (SET).....	1