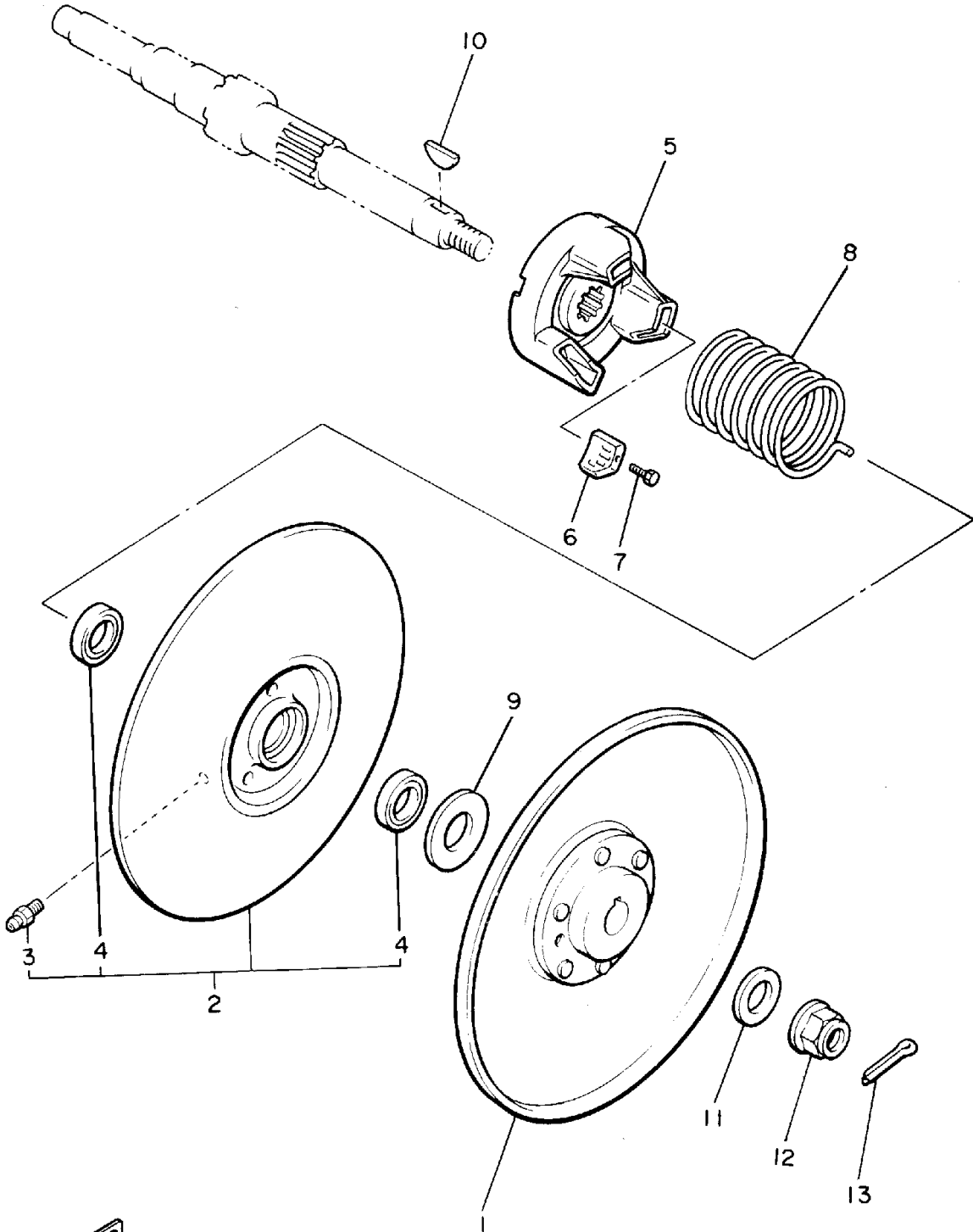


SECONDARY SHEAVE



| Ref. No. | Part Number | Description | Qty | Remarks |
|----------|-----------------|-------------------------------------|-----|---------|
| 1 | J55-G6260-00-00 | SECONDARY FIXED SHEAVE COMP. | 1 | YPAD |
| 2 | J55-G6270-02-00 | SECONDARY SLIDING SHEAVE COMP. | 1 | YPAD |
| 3 | 93700-06004-00 | . NIPPLE, GREASE | 1 | |
| 4 | 93102-20309-00 | . SEAL, OIL | 2 | |
| 5 | JH2-46284-00-00 | SEAT, SECONDARY SPRING . | 1 | |
| 6 | JF7-17688-00-00 | SHOE, RAMP | 3 | |
| 7 | 90110-04207-00 | BOLT (91316-04025-00) | 3 | |
| 8 | 90508-45679-00 | SPRING, TORSION | 1 | |
| 9 | 90202-20130-00 | WASHER, PLAIN | 1 | |
| 10 | 90280-05022-00 | KEY, WOODRUFF | 1 | |
| 11 | 90201-12588-00 | WASHER, PLATE | 1 | |
| 12 | 95601-12200-00 | NUT, SELF-LOCKING | 1 | |
| 13 | 91401-25030-00 | PIN, COTTER | 1 | |



IG5100-3210

