

FINAL ASSEMBLY, ELECTRIC CAR

FIGURE- ITEM NUMBER	PART NUMBER	UNITS PER ASM	DESCRIPTION			
			1	2	3	4
1 -	NO #	1	BODY ASSEMBLY, ELECTRIC CAR FOR ILLUSTRATION, SEE FIGURE 1-1			
- 1	NO #	1	BODY ASSEMBLY FOR DETAIL BREAKDOWN, SEE FIGURE 1-2			
- 2	1014392	2	BAGWELL MAT			
- 3	1010434	8	BARREL - PLASTIC, BLACK			
- 4	NO #	1	BAG HOOP AND SEAT BACK ASSEMBLY FOR DETAIL BREAKDOWN, SEE FIGURE 1-4			
- 5	NO #	1	SEAT BOTTOM ASSEMBLY FOR DETAIL BREAKDOWN, SEE FIGURE 1-3			
- 6	1011018	1	STEERING COLUMN BOOT			
- 7	1010885	1	LEFT DASH POCKET			
- 9	1010435	2	BOLT, CARRIAGE, 5/16-18 UNC X 1"			
- 10	1011014	1	COWL TRIM			
- 11	7251	2	SCREW, PHILLIPS HEAD, 5/16-18 UNC X 1"			
- 12	1013390	1	GOLF ETIQUETTE DECAL			
- 13	1012505	1	SWITCH KEYS (PAIR)			
- 14	1012531	1	KEY SWITCH (INCLUDES 2 KEYS)			
- 15	1012530	1	ON/OFF DECAL			
- 16	1010887	1	RIGHT DASH POCKET			
- 17	1015123-01	1	COWL (BEIGE)			
- 17	1015123-02	1	COWL (WHITE)			
- 17	1011573-01	1	COWL WITH HEADLIGHT OPENINGS (BEIGE)			
- 17	1011573-02	1	COWL WITH HEADLIGHT OPENINGS (WHITE)			
- 18	1013421	2	TWIN SPEED NUT			
- 19	1010545	4	SCREW, SHEET METAL 1/4-14			
- 20	1013422	2	CUP HOLDER KIT INCLUDES ITEMS 18 AND 19			
- 21	NO #	1	ACCELERATOR PEDAL ASSEMBLY FOR DETAIL BREAKDOWN, SEE FIGURE 4-3			
- 22	NO #	1	BRAKE PEDAL ASSEMBLY FOR DETAIL BREAKDOWN, SEE FIGURE 4-2			
- 24	8251	2	SCREW, PHILLIPS TRUSS HEAD, 1/4-20 UNC X 1"			
- 25	8233	2	LOCKNUT, 1/4-20 UNC			
- 26	1013901	1	REAR BUMPER ASSEMBLY INCLUDES ITEMS 9, 27 THRU 33			
- 27	1010988	1	REAR BUMPER GUARD			
- 28	7473	6	LOCKNUT, 5/16-18 UNC			
- 29	1241	6	FLATWASHER, 5/16"			
- 30	1011086	2	BUMPER END CAP			
- 31	1016335	2	POP RIVET, 1/4" X 3/4"			
- 33	1010545	4	SCREW, SHEET METAL, 1/4-14			
- 34	1010886	1	CENTER DASH PANEL			
- 35	1011398	1	SNAP WASHER KIT			
- 36	1011017	6	LOCKSCREW, FLANGE, #8-32 UNC			
- 38	7973	7	POP RIVET, 3/16" X 1/2"			
- 39	1011394	1	SLAB BASE "T" NUT PACKAGES (4 PCS.)			
- 41	1014198	1	NAMEPLATE KIT			
- 44	1013391	1	SAFETY WARNING DECAL (SERIAL # A8633-105937 AND EARLIER)			
- 44A	1014883	1	SAFETY WARNING DECAL (SERIAL # A8633-105938 AND LATER)			
- 45	1014738	1	BACK-UP STRIP			
- 46	1014826	4	5/16-18 X 1.00 ROUND HEAD SQUARE NECK BOLT			



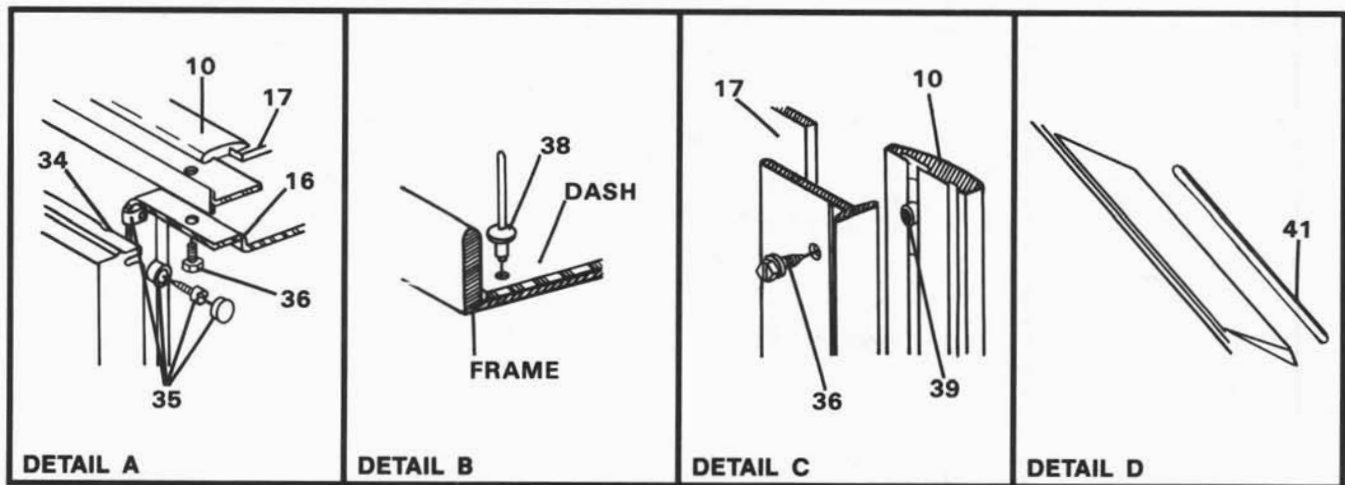
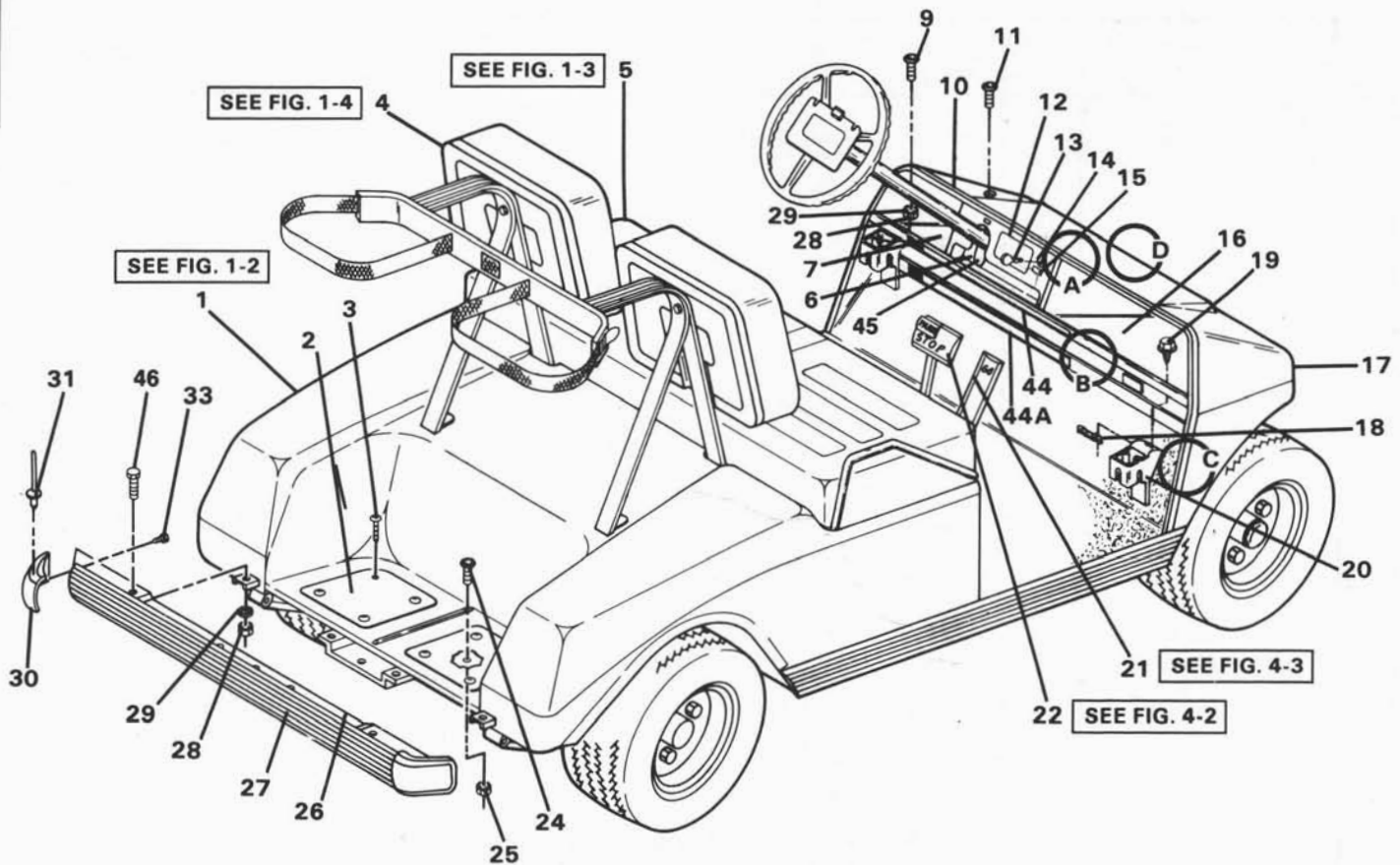


FIGURE 1-1A. FINAL ASSEMBLY, ELECTRIC CAR. SHEET 1 OF 2. INDEX NUMBERS 1-44. SEE LIST 1-1A.