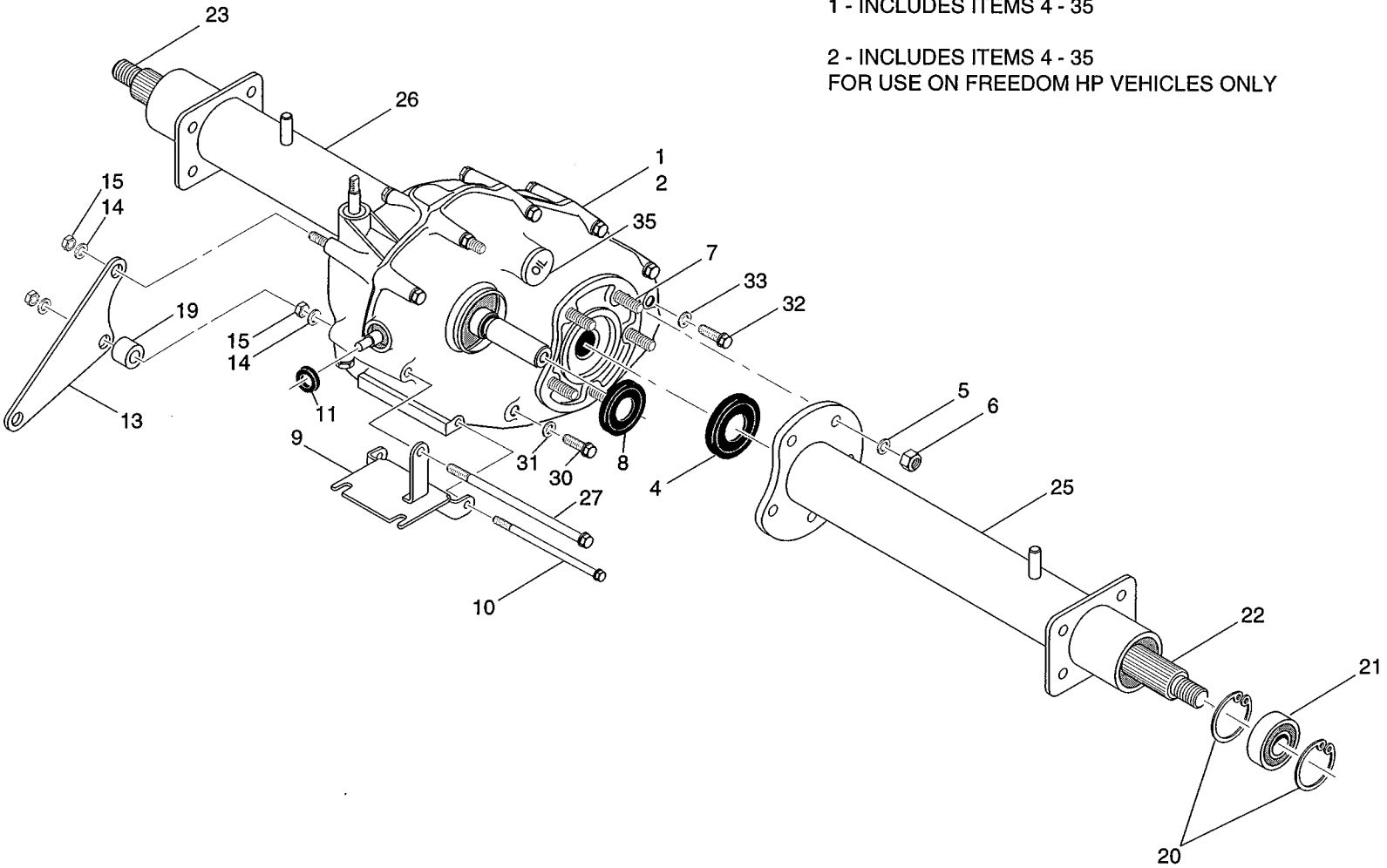


1 - INCLUDES ITEMS 4 - 35
2 - INCLUDES ITEMS 4 - 35
FOR USE ON FREEDOM HP VEHICLES ONLY



When ordering parts, please specify the model and serial number of the product.
 * Indicates a component that is not available as an individual part.
 G** Indicates consult Customer Service Department for additional information.

| ITEM | PART NO. | 1 2 3 4 5 | DESCRIPTION | QTY. |
|------|-----------|-----------|---|------|
| 1 | 72031-G01 | | REAR AXLE, (13.32:1), STANDARD (INCLUDES ITEMS 4 - 35) | 1 |
| 2 | 72031-G02 | | REAR AXLE, HP (10.67:1) INCLUDES ITEMS 4 - 35 FOR USE ON FREEDOM HP VEHICLES ONLY..... | 1 |
| 3 | | | | |
| 4 | 26766-G01 | | SEAL, AXLE SHAFT..... | 1 |
| 5 | 26828-G01 | | WASHER, 10 MM..... | 10 |
| 6 | 26829-G01 | | NUT, 10 MM X 1.5 MM | 10 |
| 7 | 26667-G01 | | STUD, M10 X 1.5 X 40 MM LG. | 5 |
| 8 | 26761-G01 | | SEAL, INPUT SHAFT | 1 |
| 9 | 26815-G01 | | BRACKET, SHIFTER CABLE..... | 1 |
| 10 | 26823-G01 | | BOLT, FLANGE, M8 X 1.25 X 100 MM LG..... | 8 |
| 11 | 26762-G01 | | SEAL, SHIFTER SHAFT | 1 |
| 12 | | | | |
| 13 | 72017-G01 | | BRACKET, TRANSAXLE..... | 1 |
| 14 | 26826-G01 | | WASHER, LOCK, M8 | 4 |
| 15 | 26827-G01 | | NUT, M8 X 1.25 MM | 4 |
| 16 | | | | |
| 17 | | | | |
| 18 | | | | |
| 19 | 75048-G01 | | SPACER | 1 |
| 20 | 26814-G01 | | RING, RETAINING | 4 |
| 21 | 26811-G01 | | BALL BEARING..... | 2 |
| 22 | 72056-G01 | | AXLE SHAFT, DRIVER SIDE | 1 |
| 23 | 72057-G01 | | AXLE SHAFT, PASSENGER SIDE..... | 1 |
| 24 | | | | |
| 25 | 72115-G01 | | TUBE, AXLE, DRIVER'S SIDE..... | 1 |
| 26 | 72116-G01 | | TUBE, AXLE, PASSENGER SIDE..... | 1 |
| 27 | 26824-G01 | | BOLT, FLANGE, M8 X 1.25 X 110 MM LG. | 1 |
| 28 | 72053-G01 | | BOLT, FLANGE, M8 X 1.25 X 120 MM LG..... | 1 |
| 29 | | | | |

When ordering parts, please specify the model and serial number of the product.
 * Indicates a component that is not available as an individual part.
 G** Indicates consult Customer Service Department for additional information.

| ITEM | PART NO. | 1 | 2 | 3 | 4 | 5 | DESCRIPTION | QTY. |
|------|-----------|---|---|---|---|---|------------------------|------|
| 30 | 26770-G01 | | | | | | DRAIN PLUG, OIL | 1 |
| 31 | 26771-G01 | | | | | | GASKET, 14 MM..... | 1 |
| 32 | 26768-G01 | | | | | | CHECK PLUG, OIL..... | 1 |
| 33 | 26769-G01 | | | | | | GASKET, 8 MM..... | 1 |
| 34 | | | | | | | | |
| 35 | 26772-G01 | | | | | | PLUG, OIL FILLER | 1 |