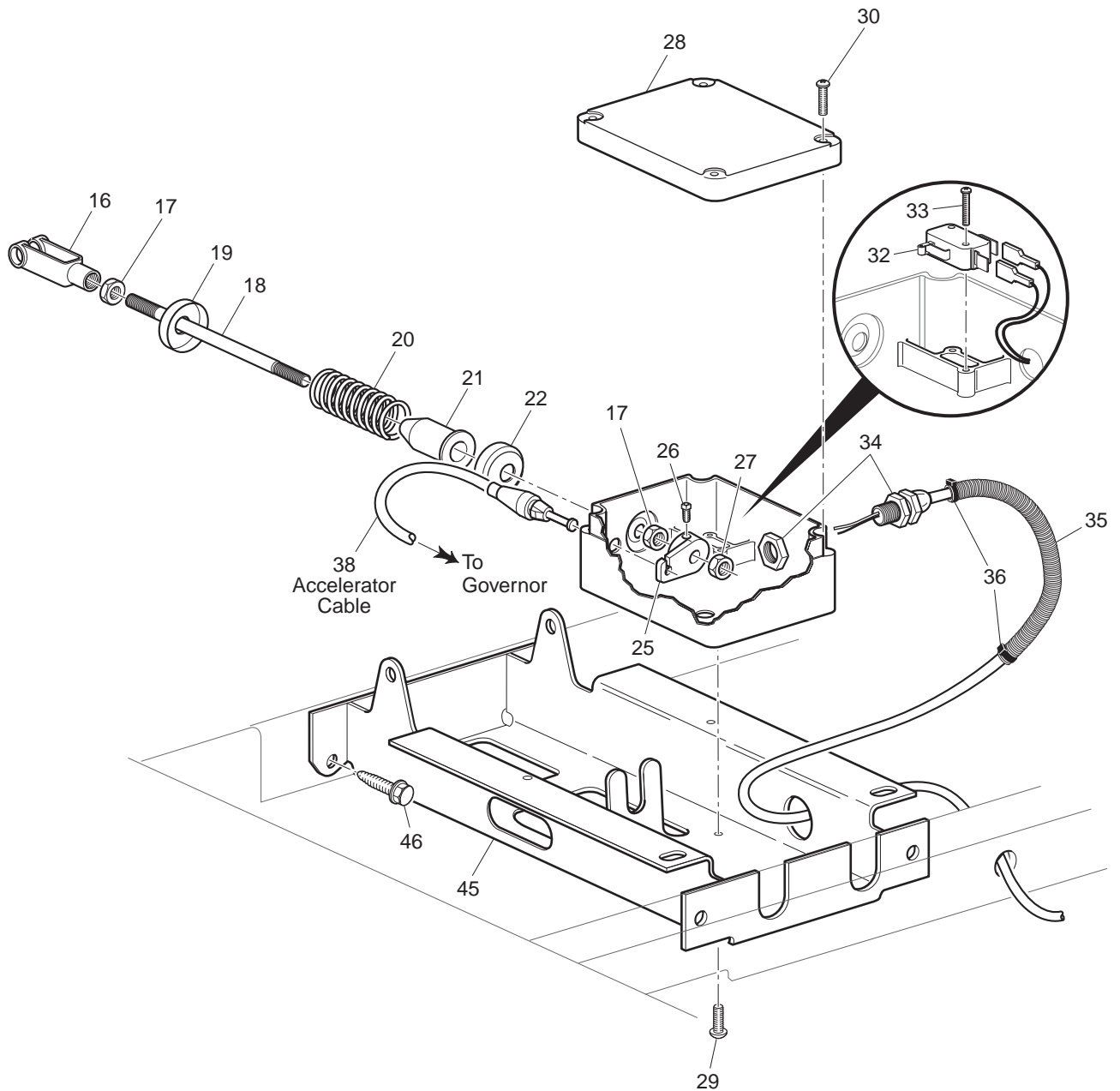
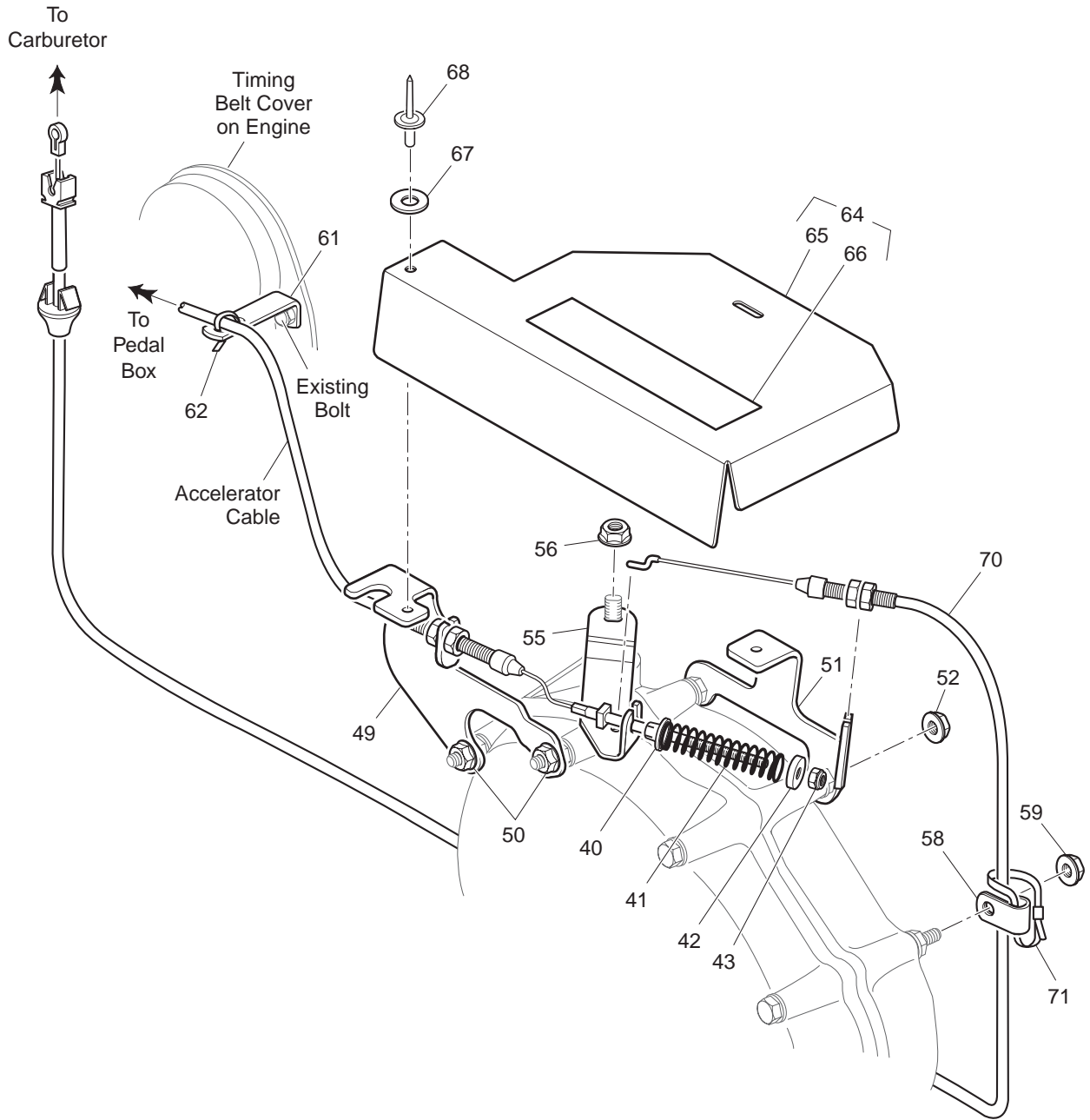


ACCELERATOR



Ref Acc 21-2

ACCELERATOR



Ref Acl 6-3

ACCELERATOR

When ordering parts, please specify the model and serial number of the product.

* Indicates a component that is not available as an individual part.

G** Indicates consult Customer Service Department for additional information.

ITEM	PART NO.	1 2 3 4 5	DESCRIPTION	QTY.
1	72717-G05		PEDAL BOX ASSEMBLY (INCLUDES ITEMS 3 - 45)	1
2				
3	25799-G03		ACCELERATOR PEDAL ASSEMBLY (INCLUDES ITEMS 4 - 7).....	1
4	27844-G01		ACCELERATOR PEDAL PAD KIT (INCLUDES ITEMS 5 - 6).....	1
5	15766-G1		OVAL RIVET, 3/16" X 3/8" LG.....	6
6	27512-G01		ACCELERATOR PEDAL PAD	1
7	*		ACCELERATOR PEDAL	1
8	17838-G1		NYLON BUSHING	3
9	74432-G01		PEDAL PIVOT PIN	1
10	12064-G6		PUSH NUT, 9/32"	1
11	10386-G3		CLEVIS PIN, 5/16" X 1" LG	1
12	17255-G1		TEFLON WASHER, 5/16"	1
13	10387-G3		COTTER PIN, 3/32" X 3/4" LG	1
14				
15				
16	10385-G4		CLEVIS YOKE (ADJUSTABLE).....	1
17	00532-G4		LOCK NUT, 5/16 - 24	2
18	72072-G01		ACCELERATOR ROD	1
19	17677-G2		SPRING RETAINER	1
20	73046-G01		COMPRESSION SPRING	1
21	17979-G1		ACCELERATOR ROD BUSHING	1
22	17677-G1		SPRING RETAINER	1
23				
24				
25	72716-G01		MICRO SWITCH CAM.....	1
26	00487-G3		SETSCREW, 1/4 - 20 X 3/8" LG.	1
27	15126-G1		LOCK NUT, 5/16 - 24	1
28	25853-G03		PEDAL BOX AND COVER	1
29	01051-G01		SCREW, #8 - 16 X 1/2" LG.	4
30	00684-G6		SCREW, #8 - 32 X 3/4" LG.	4

ACCELERATOR

When ordering parts, please specify the model and serial number of the product.

* Indicates a component that is not available as an individual part.

G** Indicates special Customer Service Department for additional information.

ITEM	PART NO.	1	2	3	4	5	DESCRIPTION	QTY.
31								
32	25861-G01						MICRO SWITCH.....	1
33	01050-G01						SCREW, #4 - 20 X 5/8" LG	2
34	72201-G04						WIRE HARNESS (PEDAL BOX)	1
35	17313-G1						LOOM FLEX (BULK).....	AR
36	17618-G1						WIRE TIE	2
37								
38	72713-G02						ACCELERATOR CABLE	1
39								
40	72706-G01						ACCELERATOR CABLE BUSHING	1
41	72707-G01						COMPRESSION SPRING	1
42	25727-G02						CUP WASHER.....	1
43	00734-G5						LOCK NUT, #10 - 32.....	1
44								
45	70116-G02						ACCELERATOR PEDAL BRACKET.....	1
46	00715-G2						BOLT, 5/16 - 18 X 13/16" LG	4
47	70135-G01						PEDAL PIVOT COVER	1
48								
49	72701-G01						ACCELERATOR CABLE MOUNTING BRACKET	1
50	26830-G01						LOCK NUT, M8 X 1.25 MM	2
51	72703-G01						THROTTLE CABLE MOUNTING BRACKET	1
52	26830-G01						LOCK NUT, M8 X 1.25 MM	2
53								
54								
55	72708-G01						GOVERNOR ARM	1
56	26830-G01						LOCK NUT, M8 X 1.25 MM	1
57								
58	11845-G3						CLAMP	1
59	26830-G01						LOCK NUT, M8 X 1.25 MM	1
60								