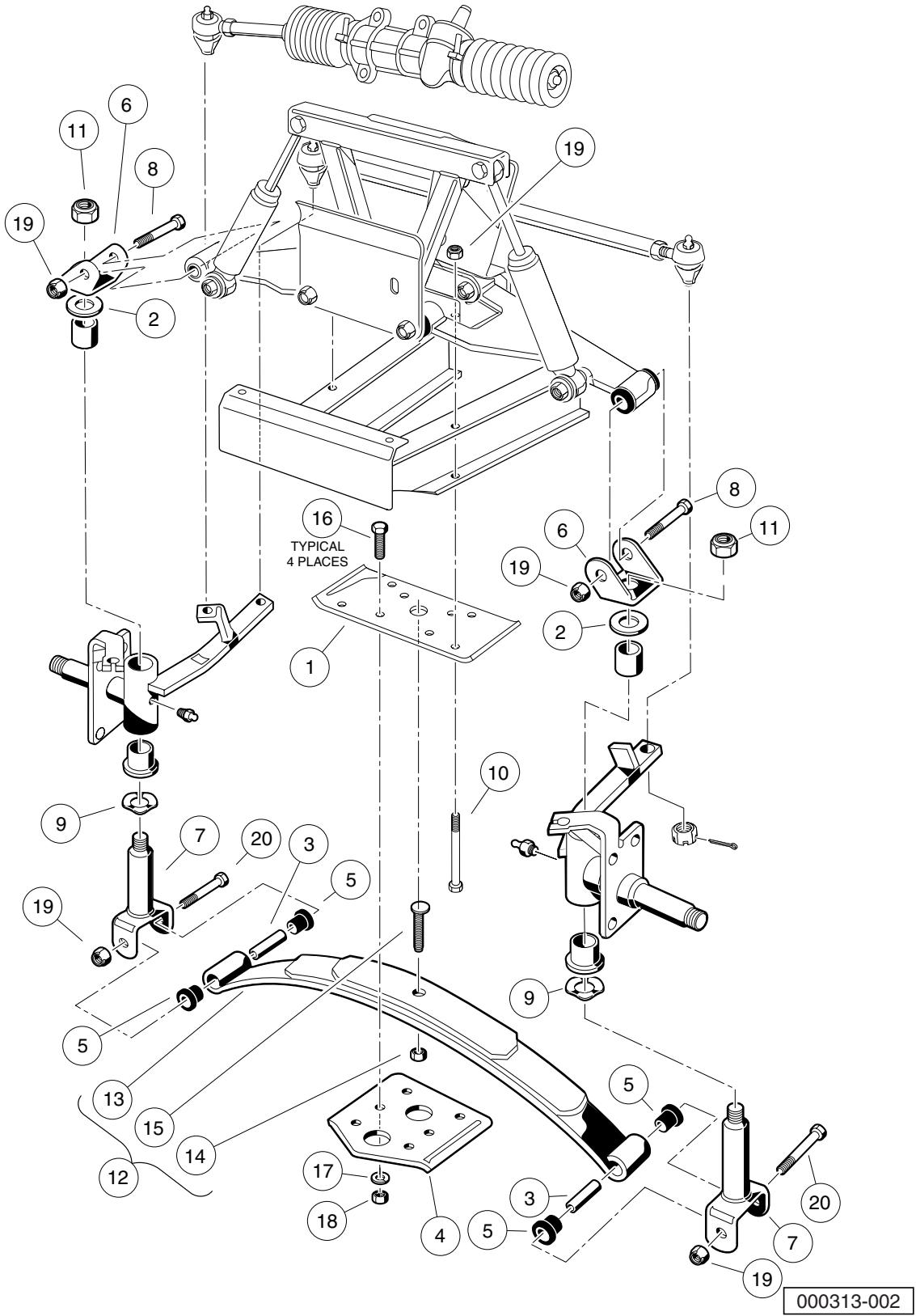


5  
G  
E



## FRONT SUSPENSION, LOWER (STYLE B)

ITEM	PART NO.	DESCRIPTION	QTY
		1 2 3 4	
1	1010124	Plate, Spring Mount .....	1
2	1010150	Bearing, Thrust .....	2
3	1012303	Bushing, Steel .....	2
4	1014276	Plate, Front Spring Retainer .....	1
5	1015583	Bushing, Urethane .....	4
6	1016384	Clevis, Delta Upper .....	2
7	1016386	King Pin Assembly .....	2
8	1016387	Screw, 3/8-16 X 2.75 Hx Hd Cap .....	2
9	1016389	Washer, 1.125 Od Wave .....	2
10	101870501	Screw, 3/8-16 X 4.75 Hx Hd Cap .....	4
11	101903101	Locknut, 1/2-20 Nylon Insert .....	2
12	102197901	Spring, Front Utility (includes items 13 through 15) .....	1
13	N/A	Spring, 3-Leaf .....	1
14	706	Nut, Hex 3/8-16 .....	1
15	8745	Screw, Eccentric Adjustment .....	1
16	2402	Screw, 3/8-16 X 2.25 Hx Hd Cap .....	4
17	357	Washer, Lock, Hel Sp 3/8 Reg .....	4
18	706	Nut, Hex 3/8-16 .....	4
19	8754	Locknut, 3/8-16 Hex .....	8
20	8755	Screw, 3/8-16 X 3.375 Hex Cap .....	2

**5**  
**G**  
**E**